

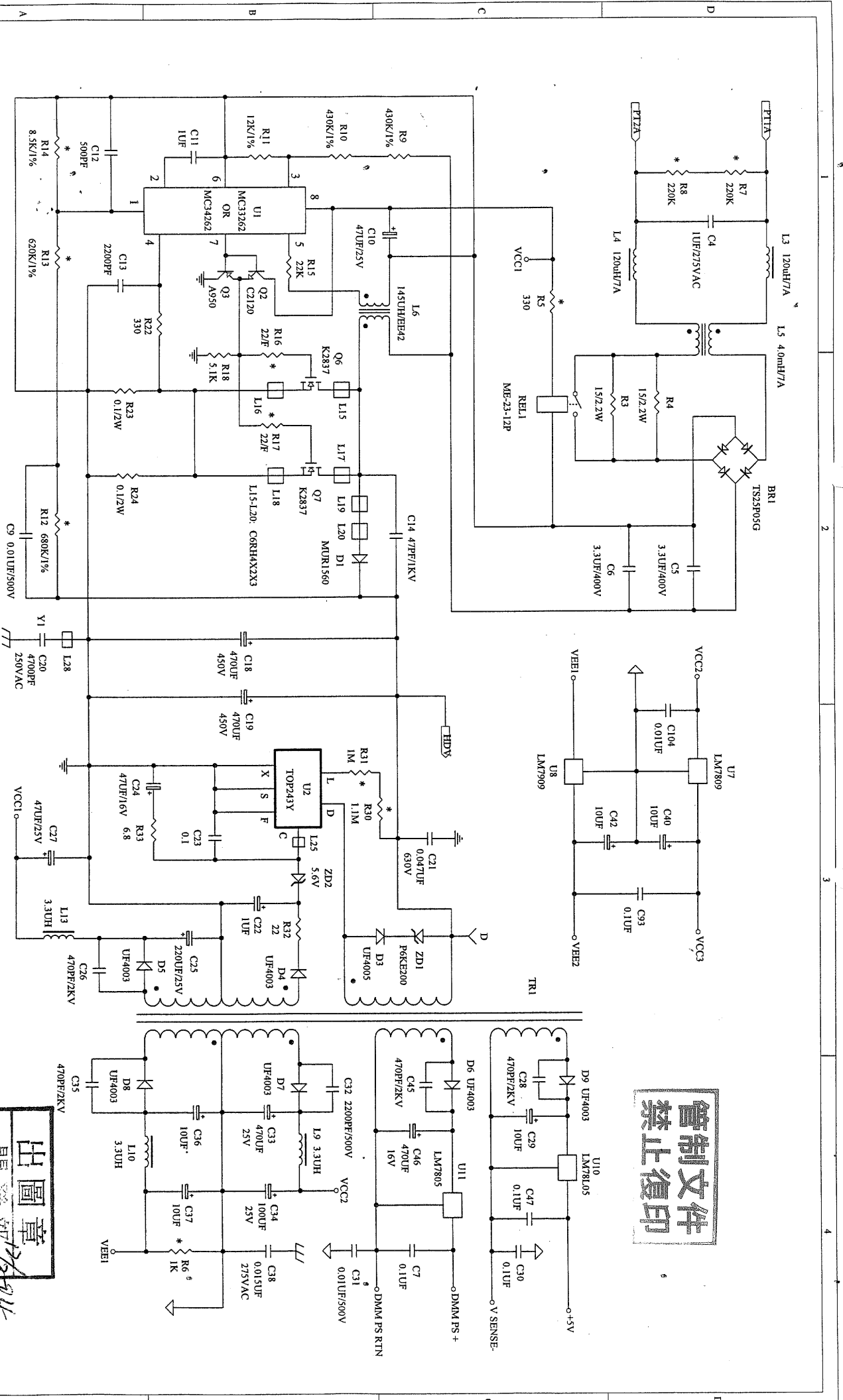
管制文件  
禁止復印

出圖章  
開發部

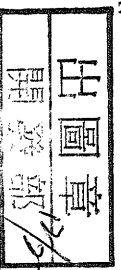
*Handwritten signature/initials*

TITLE: SPS9600 AC POWER SWITCH	DWG. NO.: 9800-9600-0000
DRAWN BY: JIANG MING	CHECKED BY: <i>[Signature]</i>
APPROVED BY: <b>K.K. LEUNG</b>	
MANSON ENGINEERING INDUSTRIAL LTD.	
SHEET 1 OF 3	REVISION: 1.1
DATE: 14-01-2004	

1 2 3 4



管制文件  
禁止復印

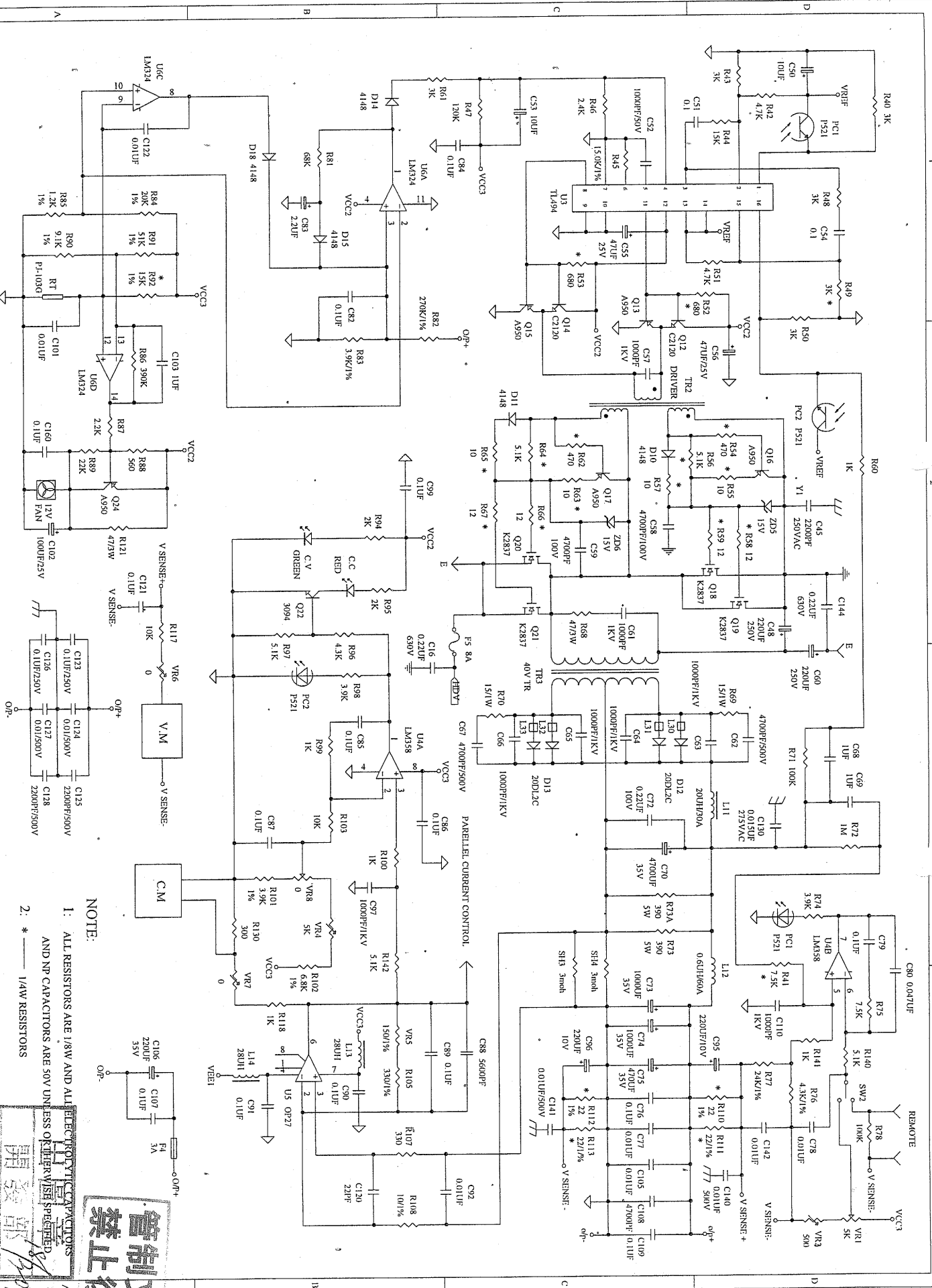


17/5/04

NOTE: 1: ALL RESISTORS ARE 1/8W AND ALL ELECTROLYTIC CAPACITORS AND NP CAPACITORS ARE 50V UNLESS OTHERWISE SPECIFIED.

2: \* — 1/4W RESISTORS

TITLE: SPS9600 PFC & AUXILIARY P.S	DWGNO.: 9800-9600-0000	MANSON ENGINEERING INDUSTRIAL LTD.
DRAWN BY: JIANG MING	CHECKED BY: <i>[Signature]</i>	SHEET 2 OF 3
APPROVED BY: <b>K.K. Leung</b>	REVISION: 1.2	DATE: 11-02-2004



NOTE:  
 1. ALL RESISTORS ARE 1/8W AND ALL CAPACITORS ARE 50V UNLESS OTHERWISE SPECIFIED  
 2. \* 1/4W RESISTORS

TITLE: SPS9602 DC-DC CONVERTER  
 DRAWN BY: JIANG MING  
 CHECKED BY: *[Signature]*  
 DWG NO.: 9800-9602-0000  
 MANSON ENGINEERING INDUSTRIAL LTD.  
 SHEET 3 OF 3  
 REVISION 1.4  
 DATE: 18-03-2004

