

ROTATOR (1/1)

1	Lower Housing	S8000360
2	Upper Housing	S8000361
3	M6 Split Washer	S8000362
4	M6X20 Screw	S8000363
5	Ball Bearing	S8000364
6	Socket Gasket	S8000365
7	Socket	S8000366 58100640
8	3X10 Tapping Screw	S8000367
9	Inner Housing Seal Plate	S8000368
10	Binding Screw	S8000369
11	Inner Housing	S8000370
12	M3X8 Screw	S8000371
13	DC Motor	M2190017
14	Motor Mount Plate	S8000372
15	M3X6 Screw	S8000373
16	Lower Gearbox Plate	S8000374
17	M3X8 Screw	S8000375
18	Coil Spring	S8000376
19	Spring Winder	S8000377
20	M3X3 Setscrew	S8000378
21	Motor Pinion Gear	S8000379
22	2.5 mm "E" Ring	S8000380
23	Gearshaft (include No.33)	-
24	Gear Ass'y A	S8000381
25	Gear Ass'y C	S8000382
26	Sandwich Gear #1	S8000383
27	Not Used	S8000384
28	Not Used	S8000385
29	Divider Gear #1	S8000386
30	Divider Gear #2	S8000387
31	-	S8000388
32	Spacer Bushing	S8000389
33	Upper Gearbox Plate Ass'y	S8000390
34	M6X6 Bolt	S8000391
35	Rotation Limiter	S8000392
36	Rotation Ring	S8000393
37	Limit Switch	S8000394
38	M3X16 Screw	S8000395
39	Pot. Mounting Plate	S8000396
40	Binding Screw	S8000397
41	Potentiometer (include No 42, 43, 44)	Q9000420
42	Pot. Flat Washer	-
43	Pot. Lock Washer	-
44	Pot. Nut	-
45	Pot. Gear #1	S8000397
46	Pot. Gear Setscrew	S8000398
47	Pot. Gear #2	S8000399
48	Mast Clamp	S8000400
49	M8X70 Bolt	S8000401
50	8 mm Split Washer	S8000402
51	M8 Nut	S8000403
52	8 mm Washer	S8000404
53	8 mm Split Washer	S8000405
54	M8X25 Bolt	S8000406

CONTROLLER (1/2)

Dear Sam:

No.	Description	Yaesu P/N
1	Front Panel	S8001809
2	Switch Panel	S8000441
3	3X8 Screw	S8000834
4	Name Plate (G-1000DXC)	S8001807
5	Not Used	-
6	Name Plate (G-2800DXC)	S8001808
7	Not Used	-
8	Not Used	-
9	Not Used	-
10	Speed Control VR	S8100836
11	Preset VR	Q9000428
12	Reset SW Assy	S8100837
13	Reset Knob	S8000444
14	Speed Control Knob	S8000442
15	Preset Knob	S8001810
16	Power SW Mounting Plate	S8000449
17	Power SW	S8100838
18	M3X8 Screw	S8000839
19	Power SW Knob	S8000448
20	Insulator Sleeve	S8001811
21	L/R Knob	S8000445
22	Swith Spring	S8000446
23	L/R Knob Fixing Metal	S8000447
24	L/R SW Mounting Plate	S8000864
25	L/R SW Assy	S8100839
26	3X6 Screw	S8000865
27	Dial Mounting Plate	S8000454
28	Gear Base	S8000811
29	Insulator Sheet	S8001812
30	VR Control	S8100317
31	Motor	M2190008
32	M2.6X5 Screw	S8000788
33	Collar	S8000795
34	3X5.5 Spacer	S8000794
35	Large Pulley	S8000789
36	Pulley	S8000787
37	Rubber Belt	S8000738
38	Gear #1	S8000457
39	Gear #2	S8000456
40	VR Gear	S8000159
41	M3X3 Set Screw	S8000793
42	"E" Ring	S8000791
43	Dial Scale	S8000452
44	Eyelet	S8000797
45	Lamp	Q1000068
46	Scotch Tape	S8001813
47	Spacer	S8000167
48	3X10 Screw	Q0000025
49	Indicator Needle	S8000455
50	Direction Sheet	S8000473
51	Clear Cover	S8000451
52	Bezel	S8000450
53	LED	G2090418
54	Chassis	S8000870
55	Fuse Holder	S8100754
56	Fuse (125V 1A)	S8100847
57	Not Used	-
58	Fuse (3A:G-1000DXC)	Q0000025
59	Fuse (5A:G-2800DXC)	Q0000027
60	Board Spacer #1	S8001661
61	Power PCB Assy (G-1000DXC)	S8100840
62	Power PCB Assy (G-2800DXC)	S8100841
63	Not Used	-

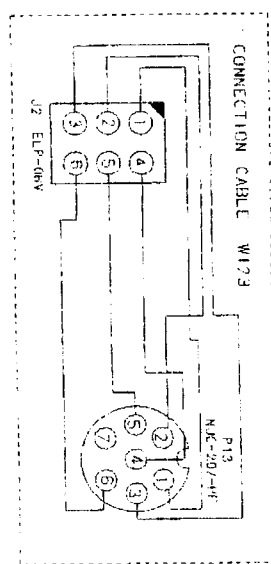
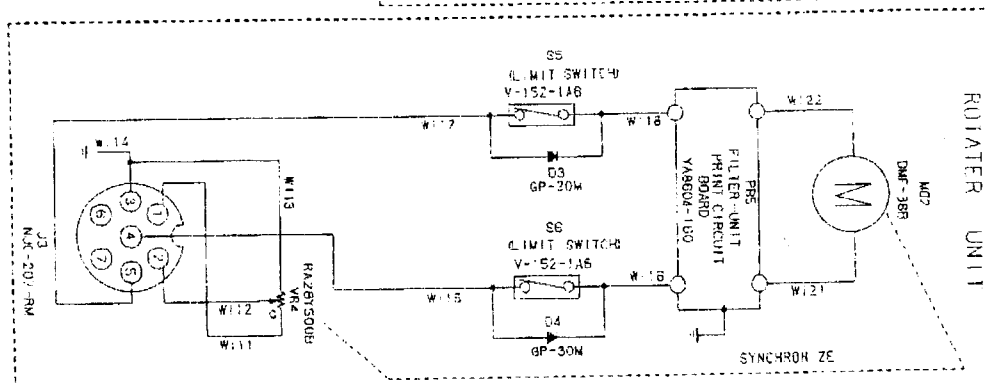
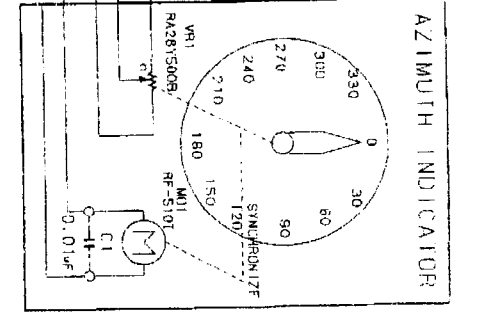
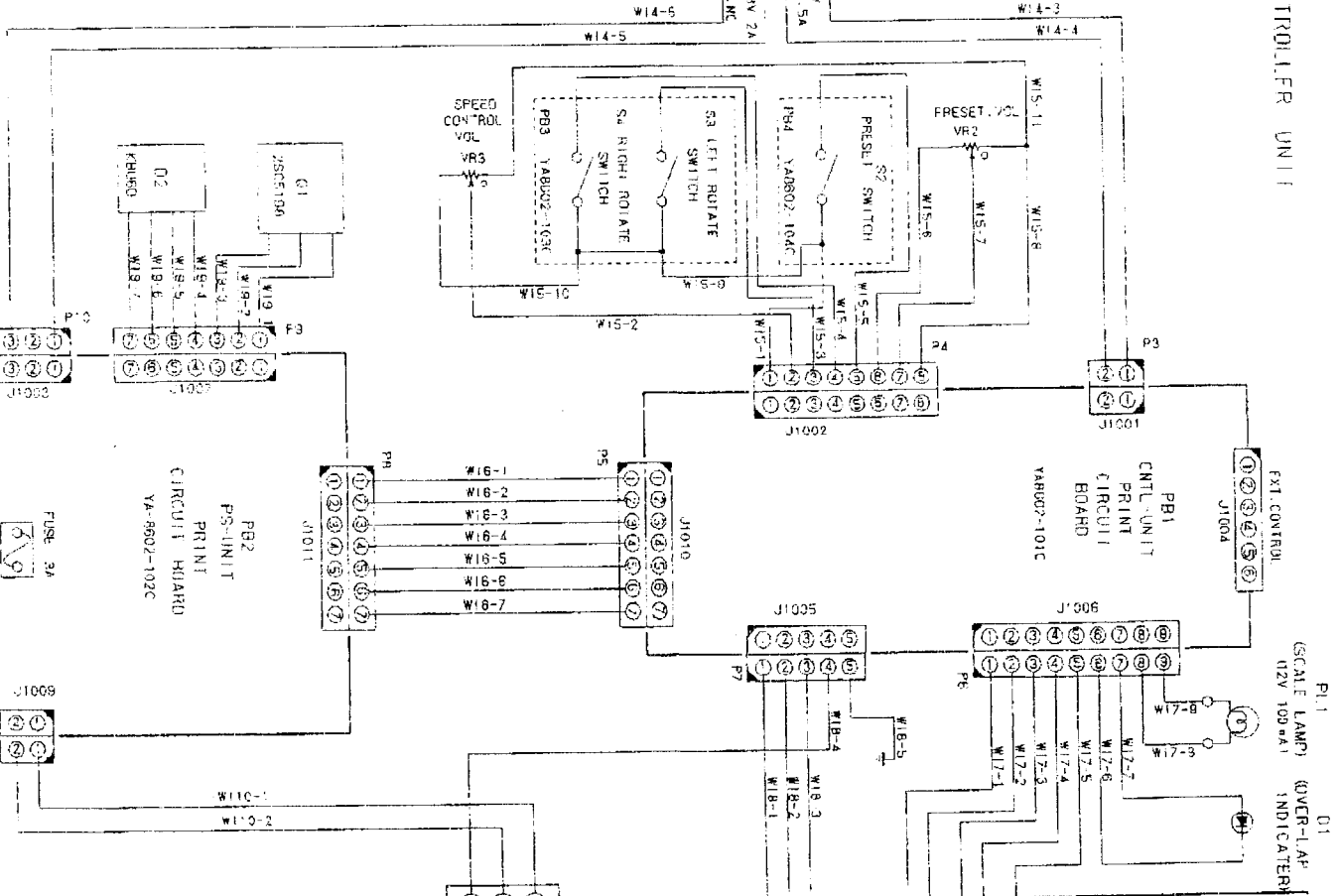
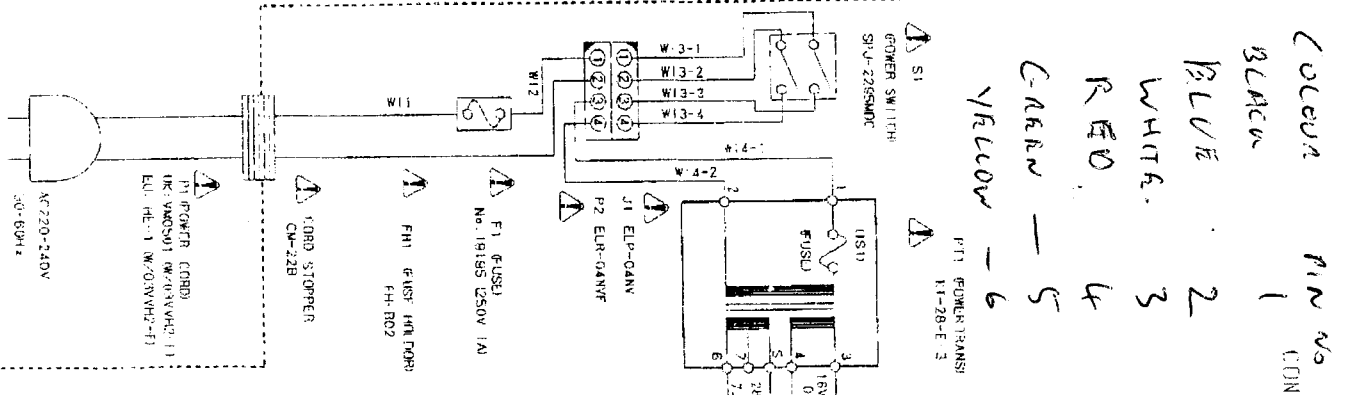
CONTROLLER (3/2)

64 Terminal	S8100757
65 Terminal Stopper Plate	S8001663
66 3X8 Screw	S8001814
67 Not Used	-
68 Power Transformer	S8100848 *
69 Not Used	-
70 Power Transformer	S8100849
71 M4X10 Screw	S8000847
72 M4 Nut	S8000848
73 Heat Sink Chassis	S8001815
74 Board Spacer #2	S8000281
75 Main PCB Assy (G-1000DXC)	S8100842
76 Main PCB Assy (G-2800DXC)	S8100843
77 Not Used	-
78 Insulator Sheet	S8001816
79 Transistor (G-1000DXC)	G3351980R
80 Transistor (G-2800DXC)	G3351200R
81 M3X8 Screw	S8001817
82 Bridge Diode	G2090437
83 M3X8 Screw	S8001817
84 Not Used	-
85 Not Used	-
86 Power Cord (EU)	S8100850
87 Power Cord (UK)	S8100851
88 Power Cord Clamp A	S8001819
89 Power Cord Clamp B	S8001820
90 M4X6 Screw	S8001818
91 Rear Cover	S8001821
92 Cover	S8001822
93 Robber Foot	S8000472
94	
95	
96	
97	
98	
99	

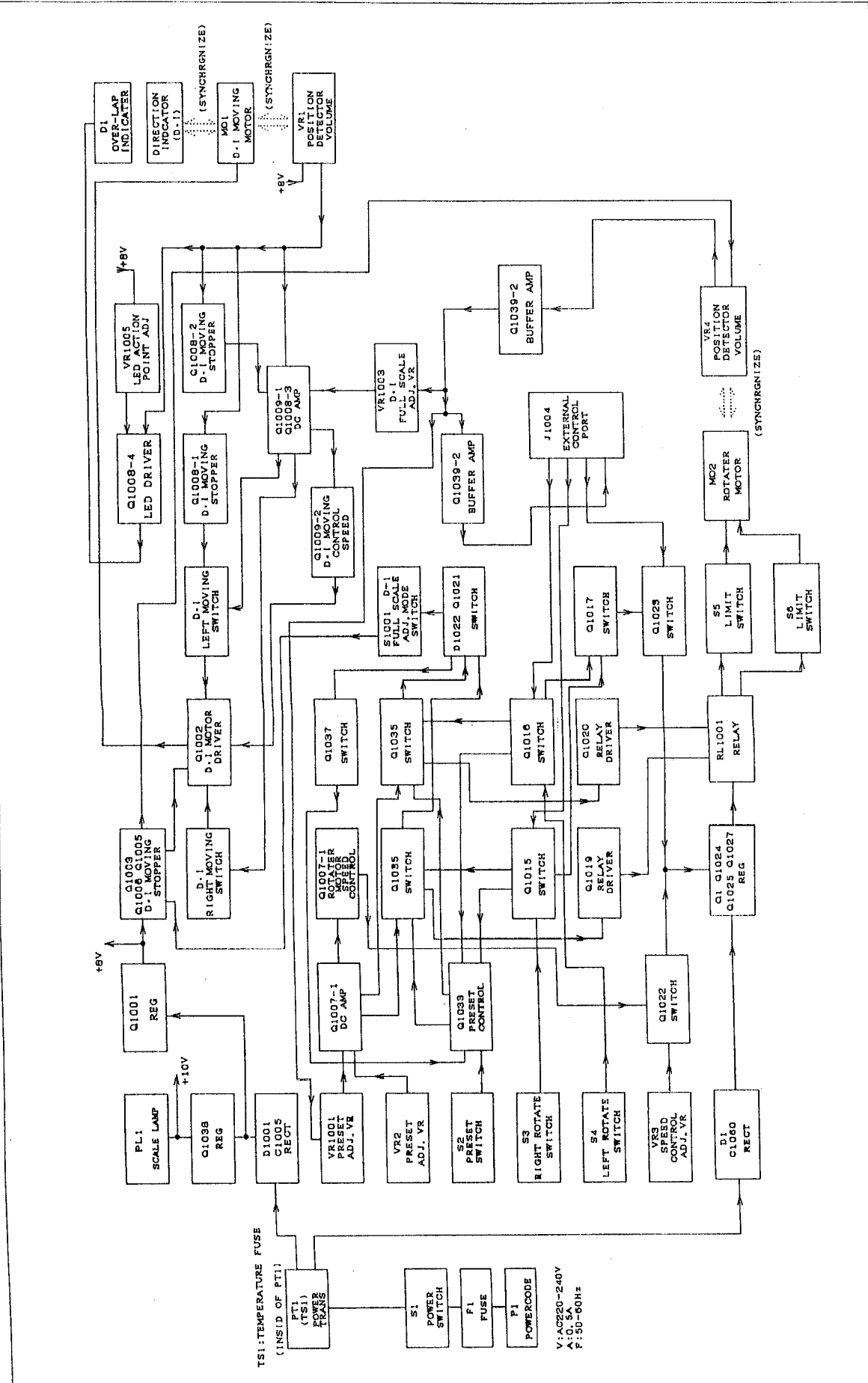
G-1000DXC

Color PIN No
 1
 2
 3
 4
 5
 6

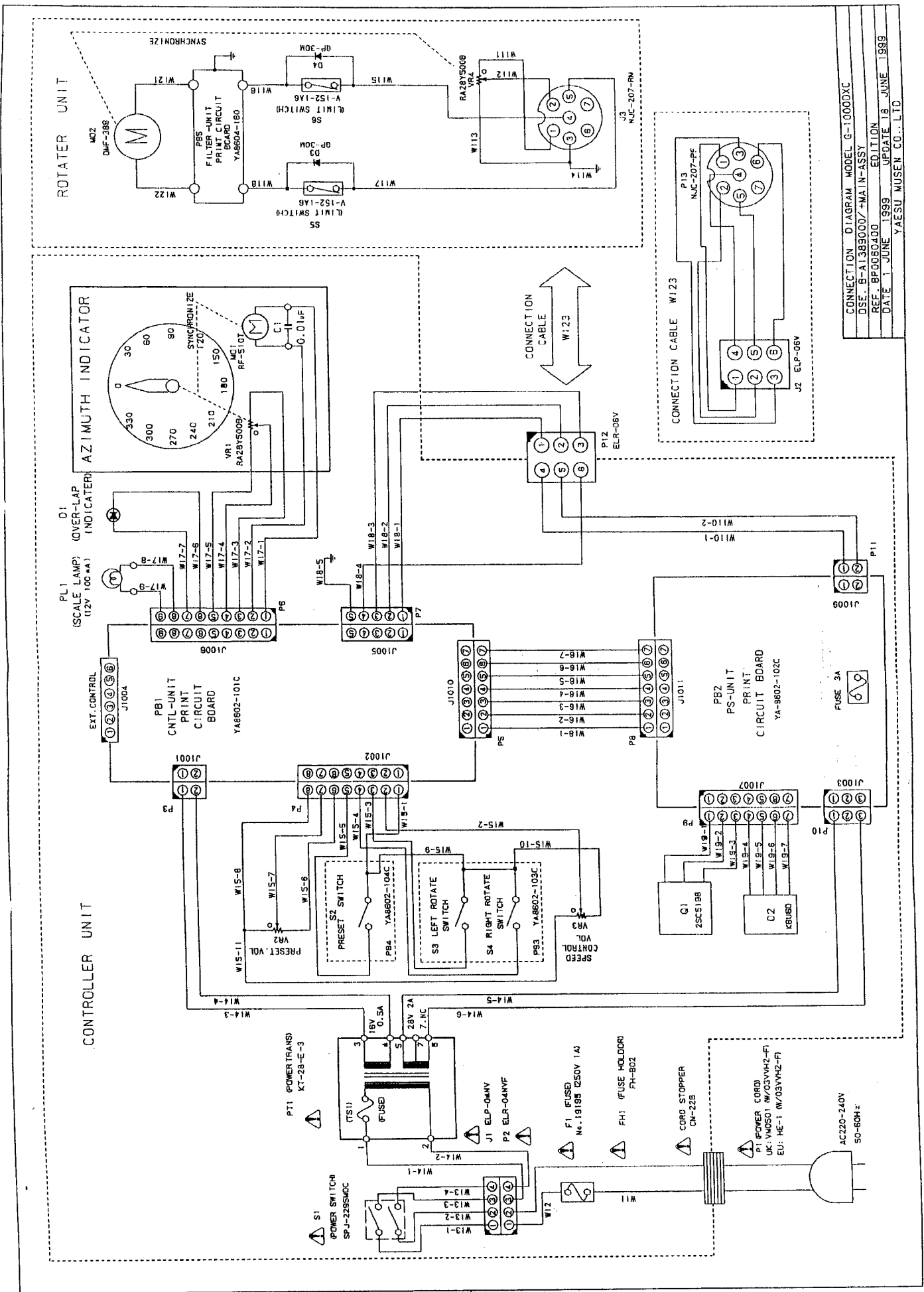
BLACK
 BLUE
 WHITE
 RED
 GREEN
 YELLOW



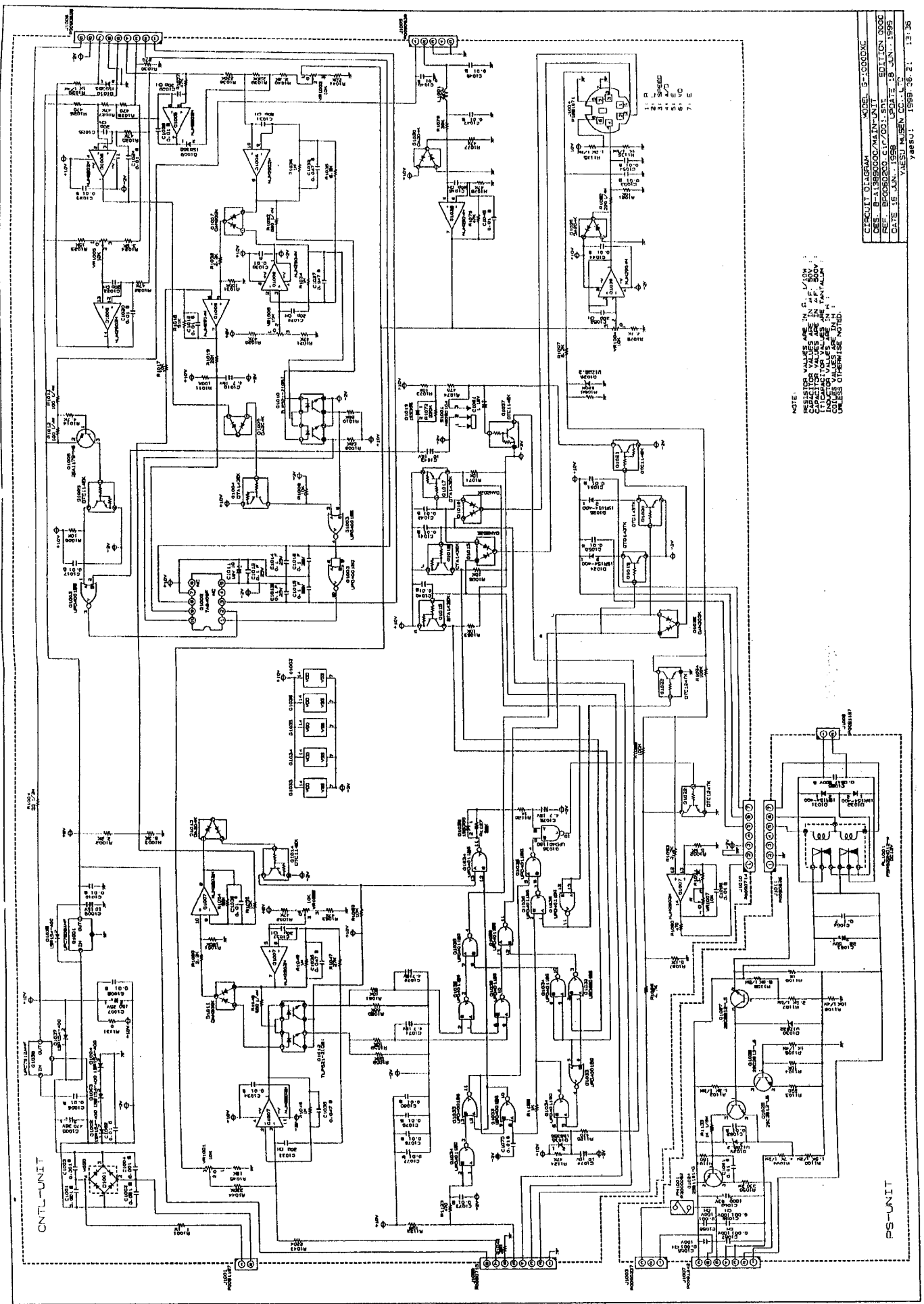
CONNECTION DIAGRAM MOUNT G-1000DXC
 DES. B-A1389000/MAIN-ANSSY
 REF. BPO056000
 DATE 1 MAR 1993
 ELLIJIN
 UPAITE 18 JUNE 1993
 TALSU MUSEM CO., LTD



BLOCK DIAGRAM MODEL G-1000DXC
 DES
 DATE 20 MAY 1990 UPDATE 21 JUNE 1993
 YAESU MUSEN CO., LTD



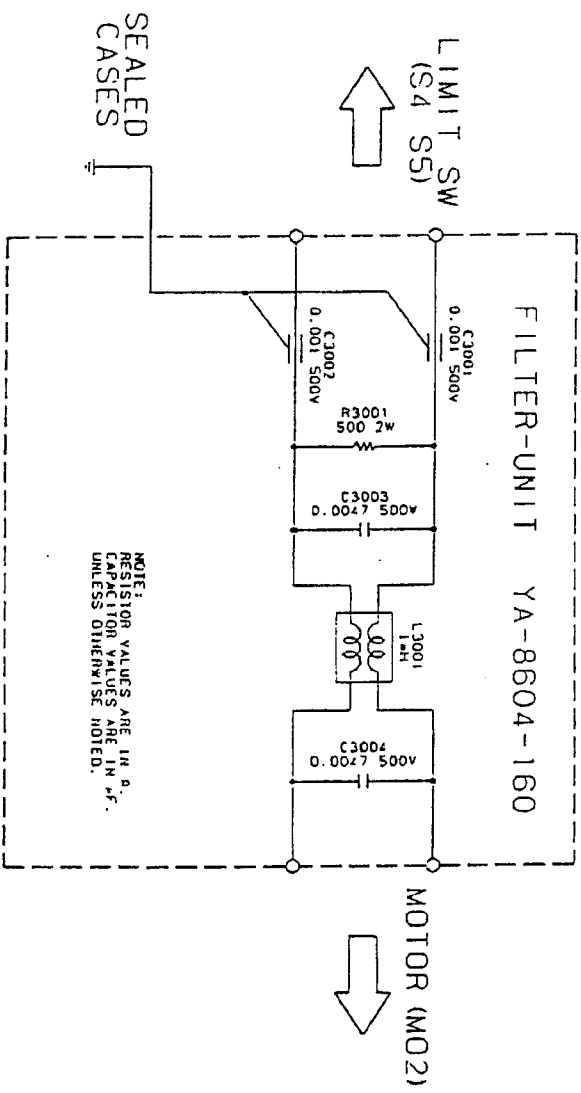
CONNECTION DIAGRAM MODEL G-10000XC
 DSE. B-A1389000/MAIN-ASSY
 REF. BFO08000 EDITION
 DATE 1 JUNE 1989 UPDATE 18 JUNE 1989
 YAESU MUSEN CO., LTD



NOTE:
 RESISTOR VALUES ARE IN OHMS UNLESS OTHERWISE NOTED.
 CAPACITOR VALUES ARE IN P.F. UNLESS OTHERWISE NOTED.
 INDUCTOR VALUES ARE IN MH UNLESS OTHERWISE NOTED.

CIRCUIT DIAGRAM NO. 9-100000X
 SEE BR0000 C17/001.001 EDITION 0000
 DATE 18 JAN. 1998 UPDATE 19 JUN. 1995
 VAESU NUSBN CC-LL-0

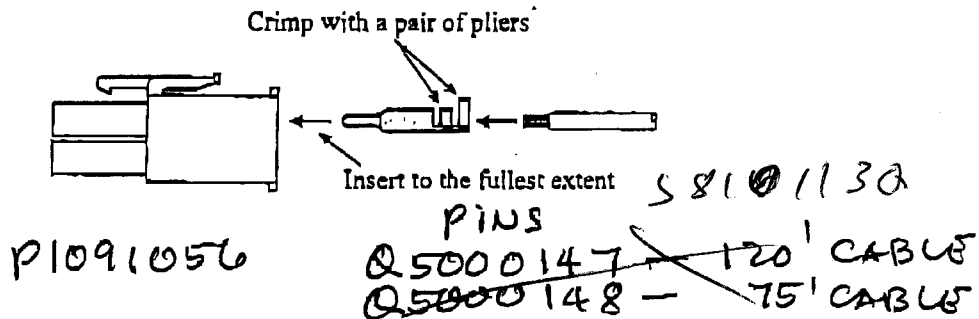
YAESU: 1999.06.21 13:35



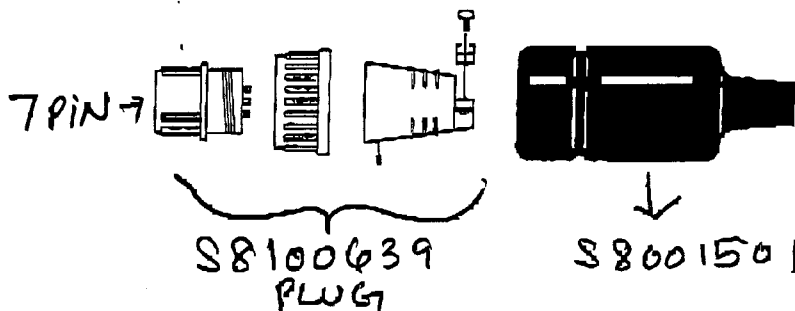
CIRCUIT DIAGRAM	MODEL G-1000C
DES. B-A12930000	FILTER-UNIT
REF. BP0014510	EDITION 000
DATE 29 SEP. 1997	UPDATE 09 DEC. 1997
YAESU MUSEN CO., LTD	

Control Cable Installation

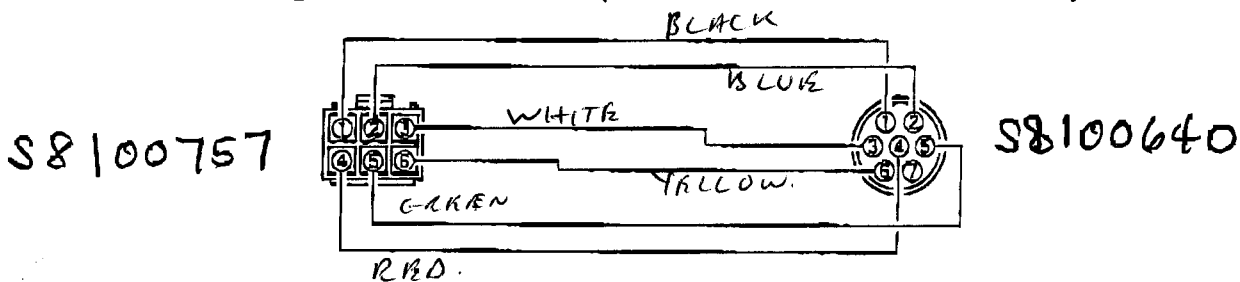
Assembly of 6-pin Plastic Connector



Assembly of 7-pin Metal Connector 6 PIN PER BAG



Wiring for the control cable (identical numbers to be connected)



Pin No. 7 for the metal connector is not used.