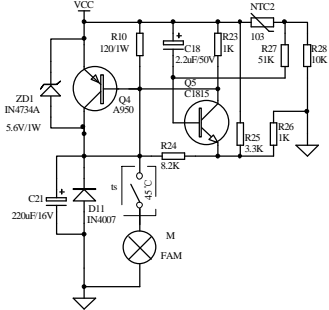
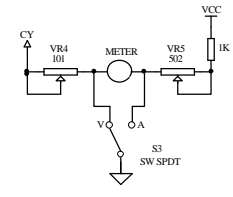
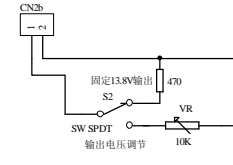
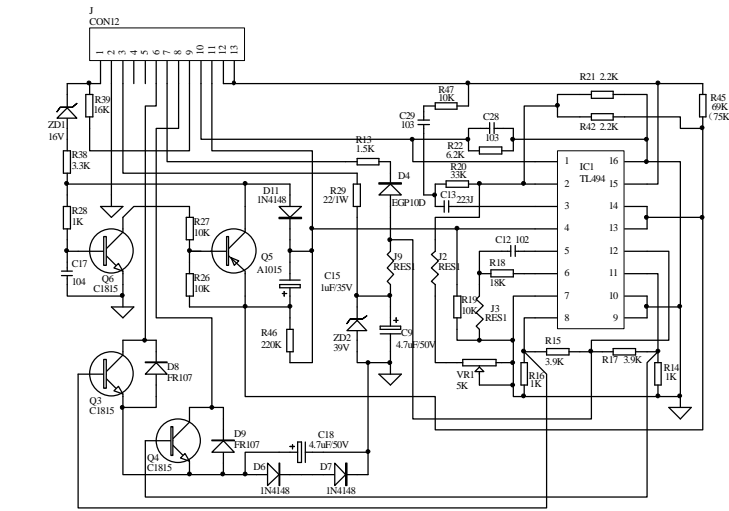
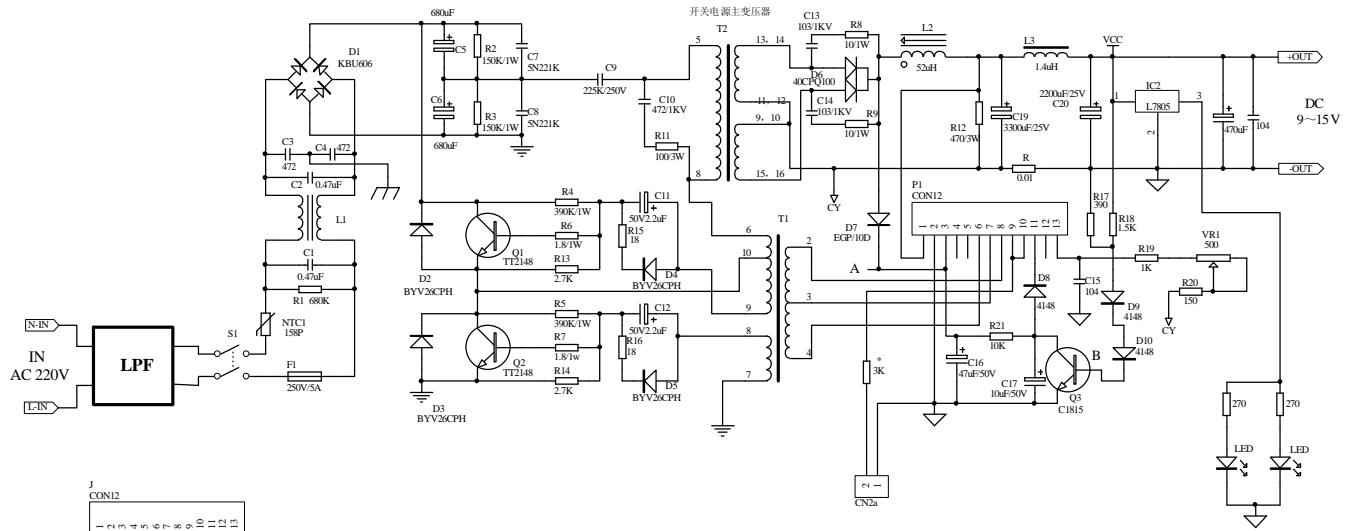


PS30SW II



Title		
Size	Number	Revision
A3		
Date:	13-Apr-2010	Sheet of
File:	E:\gq\系列产品\PS30SW\开关电源\PS30SW\PS30SW.Ddb	