

# **YAESU**

**The radio**

## **FT DX 9000 series Technical supplement**

©2015 YAESU MUSEN CO., LTD.

EH010H90D

### **YAESU MUSEN CO., LTD.**

Tennozu Parkside Building  
2-5-8 Higashi-Shinagawa, Shinagawa-ku, Tokyo 140-0002 Japan

### **YAESU USA**

6125 Phyllis Drive, Cypress, CA 90630, U.S.A.

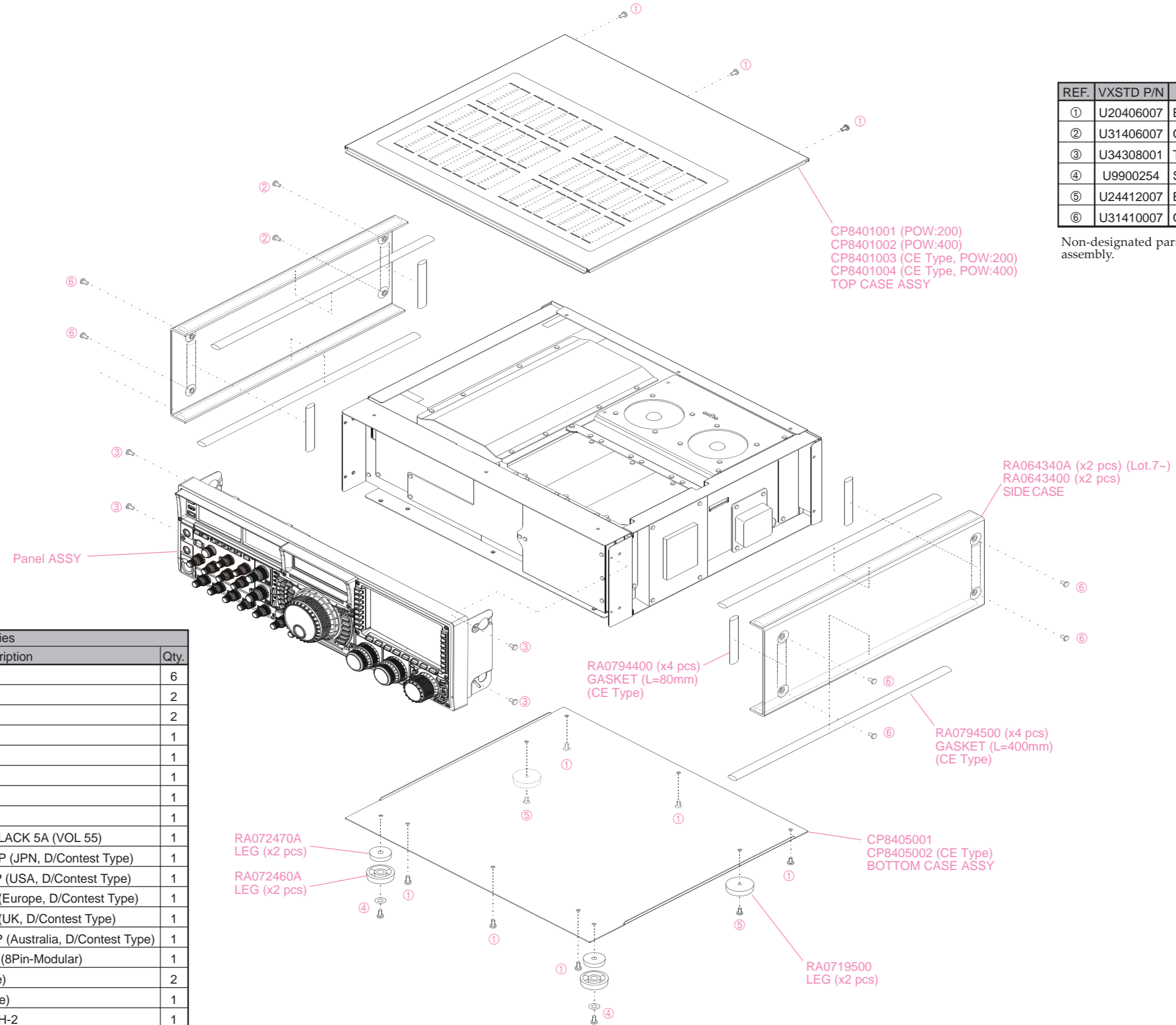
### **YAESU UK**

Unit 12, Sun Valley Business Park, Winnall Close  
Winchester, Hampshire, SO23 0LB, U.K.

## **Contents**

Exploded View	PA-B Unit (D, Contest Type)
Alignment	PA-A Unit (MP Type)
Block Diagram	PS Unit (MP Type)
Interconnection Diagram	SCP-1 Unit
RX-1 Unit	SCP-2 Unit (D, MP Type, RXU-9000)
RX-2 Unit (D, MP Type, RXU-9000)	VR-A Unit
BPF-1 Unit	VR-B Unit
BPF-2 Unit (D, MP Type, RXU-9000)	VR-C Unit (D, MP Type, RXU-9000)
AF Unit	VR-D Unit
TX Unit	VR-E Unit
DVS Unit	VR-F Unit
LOCAL Unit	SW-A Unit
REF Unit	SW-B Unit
VRF-1 Unit	SW-C Unit
VRF-2 Unit (D, MP Type, RXU-9000)	SW-D Unit (D Type, TFT-9000)
RX-TUNE Unit	SW-E Unit
SENSOR-A Unit (D Type, MTU-160)	SW-G Unit (D Type, TFT-9000)
SENSOR-C Unit (D Type, MTU-80/40)	SW-J Unit
SENSOR-E Unit (D Type, MTU-30/20)	SW-N Unit
LCD-CNTL Unit (D Type, TFT-9000)	ENC-A Unit
CNTL Unit	CONNECT-A Unit (D, MP Type, DMU-9000)
MEMORY Unit (D, MP Type, DMU-9000)	CONNECT-B Unit (D, MP Type, DMU-9000)
TUNER-MAIN Unit (D, Contest Type)	JACK Unit
TUNER-MAIN-A Unit (MP Type)	LINK Unit
TUNER-CNTL Unit	Contest / MPType Front Panel PCB
ANT Unit (D, Contest Type)	BACK-LIGHT Unit
ANT-A Unit (MP Type)	JACK-S Unit
TUNE-1 Unit (D Type, MTU-160)	SW-K Unit
TUNE-2 Unit (D Type, MTU-80/40)	SW-L Unit
TUNE-3 Unit (D Type, MTU-30/20)	SW-M Unit
PC-FIL Unit	VR-G Unit
MIC-A Unit	
MIC-B Unit	

Case ASSY



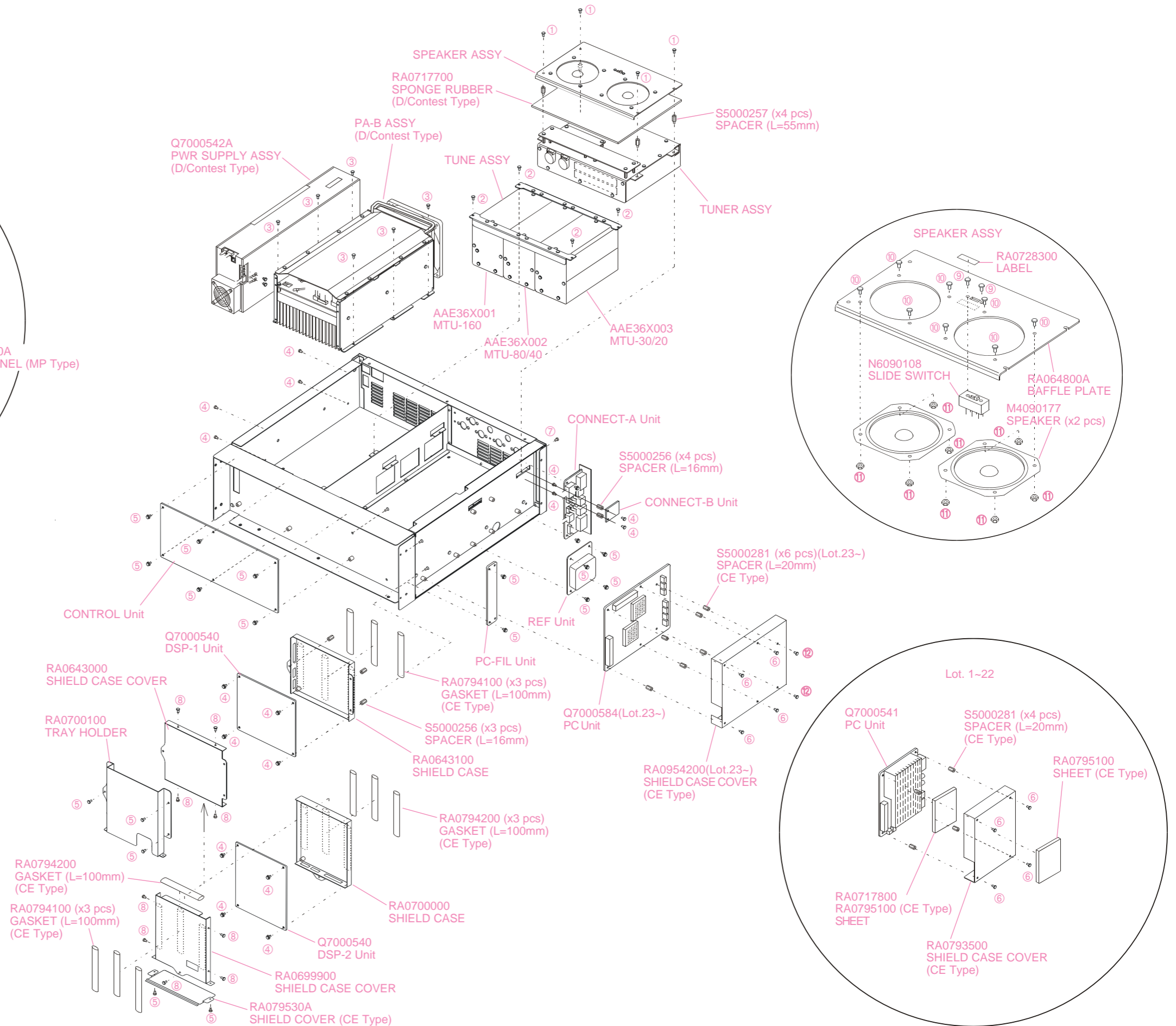
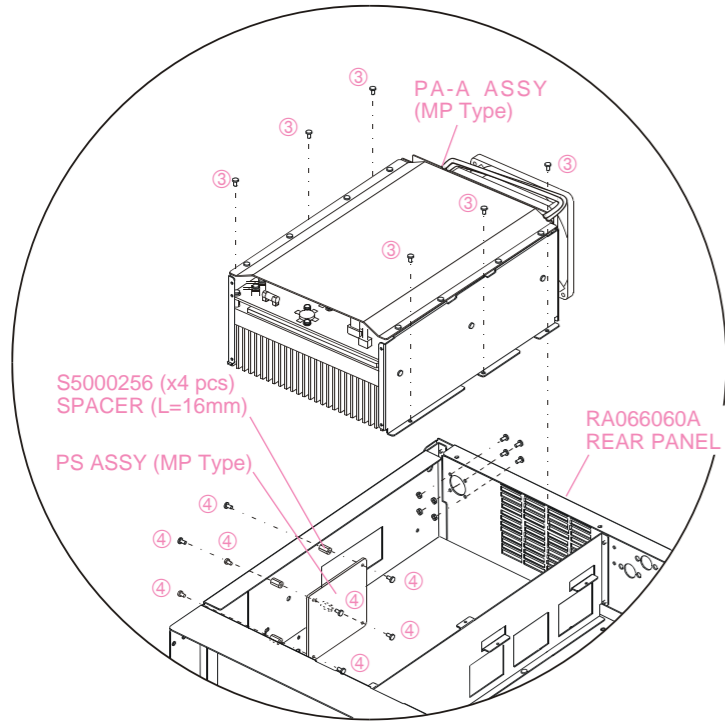
REF.	VXSTD P/N	Description	Qty.
①	U20406007	BINDING HEAD SCREW M4X6B	9
②	U31406007	OVAL HEAD SCREW M4X6B	8
③	U34308001	TAPTITE SCREW M3X8	4
④	U9900254	SPECIAL SCREW M4X20B	4
⑤	U24412007	BIND HEAD TAPTITE-BM4X12B	2
⑥	U31410007	OVAL HEAD SCREW M4X10B	6

Non-designated parts are available only as part of a designated assembly.

Accessories		
VXSTD P/N	Description	Qty.
P0091365	RCA Plug	6
P0090008	1/4-inch 3-contact Plug	2
P0090034	3.5 mm 2-contact Plug	2
P0091046	3.5 mm 3-contact Plug	1
P0091004	4-pin DIN Plug	1
P0091006	5-pin DIN Plug	1
P0091419	7-pin DIN Plug	1
P0090651	8-pin DIN Plug	1
P0091086	CONNECTOR W/FUSE BLACK 5A (VOL 55)	1
T9017780	AC Power Code 100V 2WP (JPN, D/Contest Type)	1
T9017882	AC Power Code 117V3WP (USA, D/Contest Type)	1
T9013285	AC Power Code 220V3W (Europe, D/Contest Type)	1
T9013285	AC Power Code 220V3W (UK, D/Contest Type)	1
T9013283A	AC Power Code 234V3WP (Australia, D/Contest Type)	1
T9101549	Microphone Extend Cable (8Pin-Modular)	1
T9101275B	SP CABLE 1.1M (MP Type)	2
Q9000838A	CF Card 64MB (D/MP Type)	1
CP8124001	Remote Control Keypad FH-2	1

# Exploded View

## Frame ASSY (1)



REF.	VXSTD P/N	Description	Qty.
①	U20308007	BINDING HEAD SCREW M3X8B	4
②	U20306002	BINDING HEAD SCREW M3X6NI	4
③	U24306002	TAPTITE SCREW M3X6NI	6
④	U03306002	SEMS SCREW ASM3X6NI	16
	U03306002	SEMS SCREW ASM3X6NI (MP Type)	20
⑤	U03308002	SEMS SCREW ASM3X8NI	17
⑥	U20206002	BINDING HEAD SCREW M2.6X6NI	4
	U20206002	BINDING HEAD SCREW M2.6X6NI (CE Type)	8
⑦	U24306007	TAPTITE SCREW M3X6B	1
⑧	U24206002	TAPTITE SCREW M2.6X6NI	9
⑨	U20206007	BINDING HEAD SCREW M2.6X6B	2
⑩	U45308007	TAPTITE SCREW M3X8B	8
⑪	U66300001	FLANGE NUT N3	8
⑫	U30205002	FLAT HEAD SCREW M2.6X5NI	2

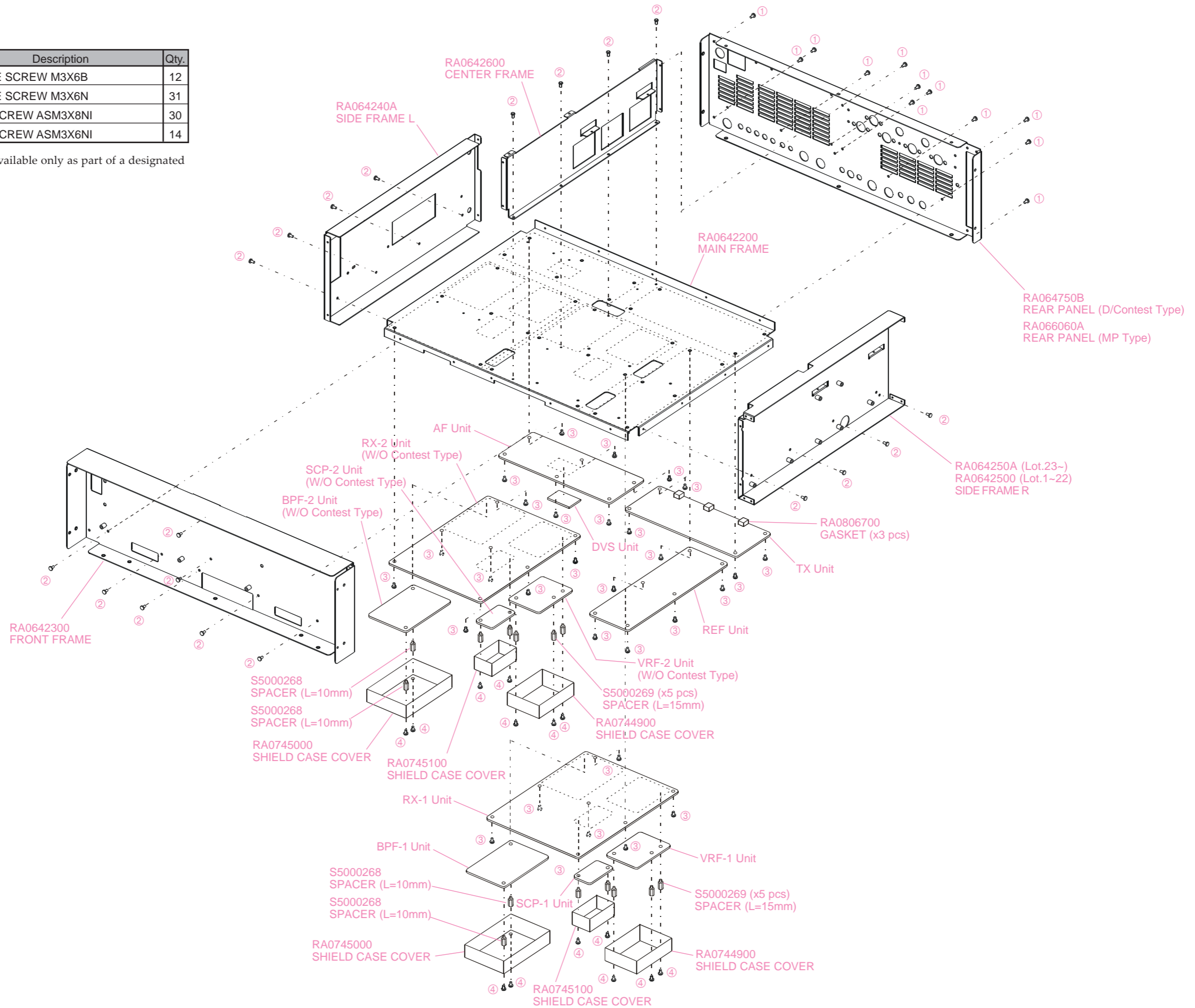
Non-designated parts are available only as part of a designated assembly.

## Exploded View-2

Frame ASSY (2)

REF.	VXSTD P/N	Description	Qty.
①	U24306007	TAPTITE SCREW M3X6B	12
②	U24306002	TAPTITE SCREW M3X6N	31
③	U03308002	SEMS SCREW ASM3X8NI	30
④	U03306002	SEMS SCREW ASM3X6NI	14

Non-designated parts are available only as part of a designated assembly.

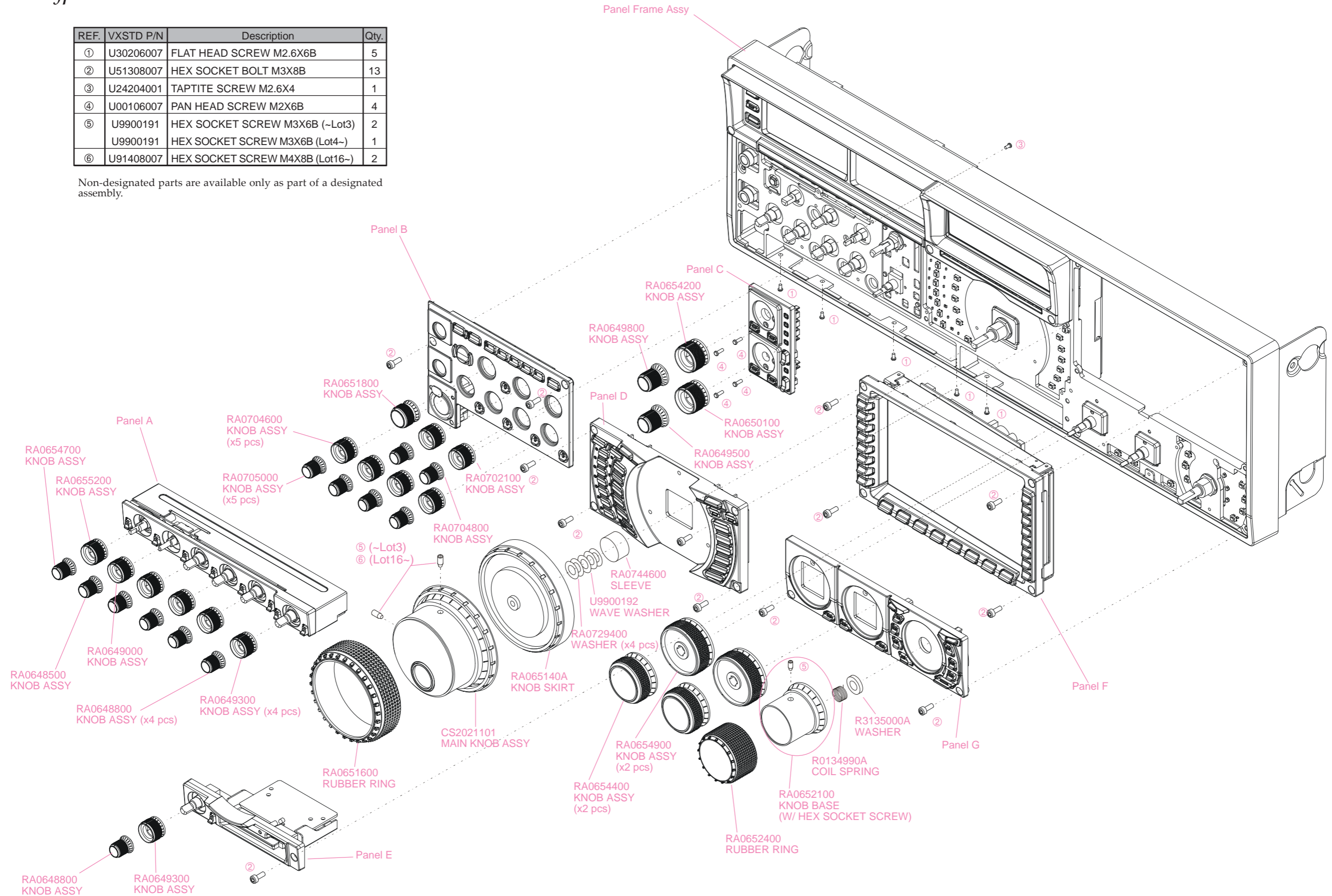


# Exploded View

## FT DX 9000D Type Panel ASSY

REF.	VXSTD P/N	Description	Qty.
①	U30206007	FLAT HEAD SCREW M2.6X6B	5
②	U51308007	HEX SOCKET BOLT M3X8B	13
③	U24204001	TAPTITE SCREW M2.6X4	1
④	U00106007	PAN HEAD SCREW M2X6B	4
⑤	U9900191	HEX SOCKET SCREW M3X6B (~Lot3)	2
⑤	U9900191	HEX SOCKET SCREW M3X6B (Lot4~)	1
⑥	U91408007	HEX SOCKET SCREW M4X8B (Lot16~)	2

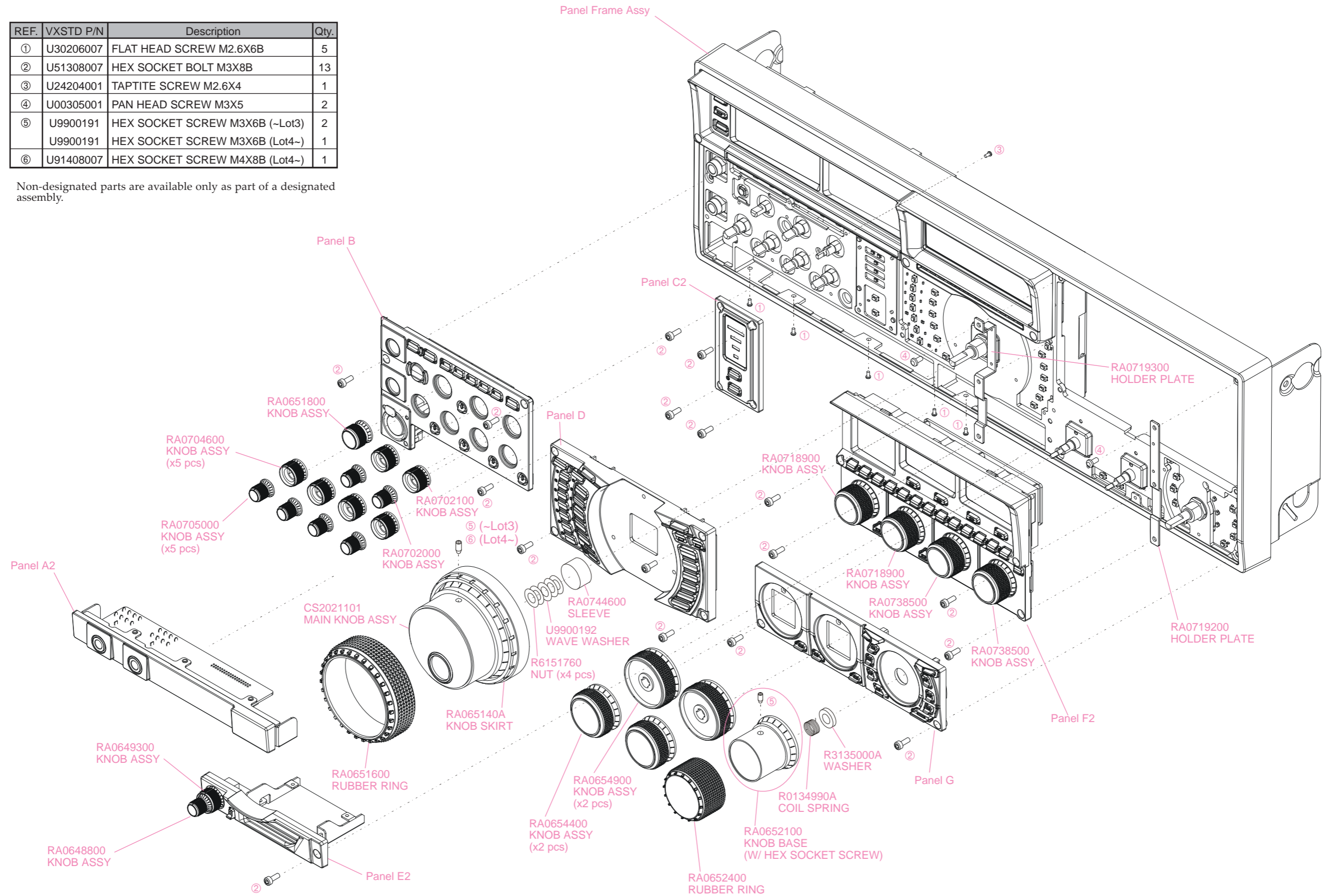
Non-designated parts are available only as part of a designated assembly.



FT DX 9000 Contest Type Panel ASSY

REF.	VXSTD P/N	Description	Qty.
①	U30206007	FLAT HEAD SCREW M2.6X6B	5
②	U51308007	HEX SOCKET BOLT M3X8B	13
③	U24204001	TAPTITE SCREW M2.6X4	1
④	U00305001	PAN HEAD SCREW M3X5	2
⑤	U9900191	HEX SOCKET SCREW M3X6B (~Lot3)	2
	U9900191	HEX SOCKET SCREW M3X6B (Lot4~)	1
⑥	U91408007	HEX SOCKET SCREW M4X8B (Lot4~)	1

Non-designated parts are available only as part of a designated assembly.

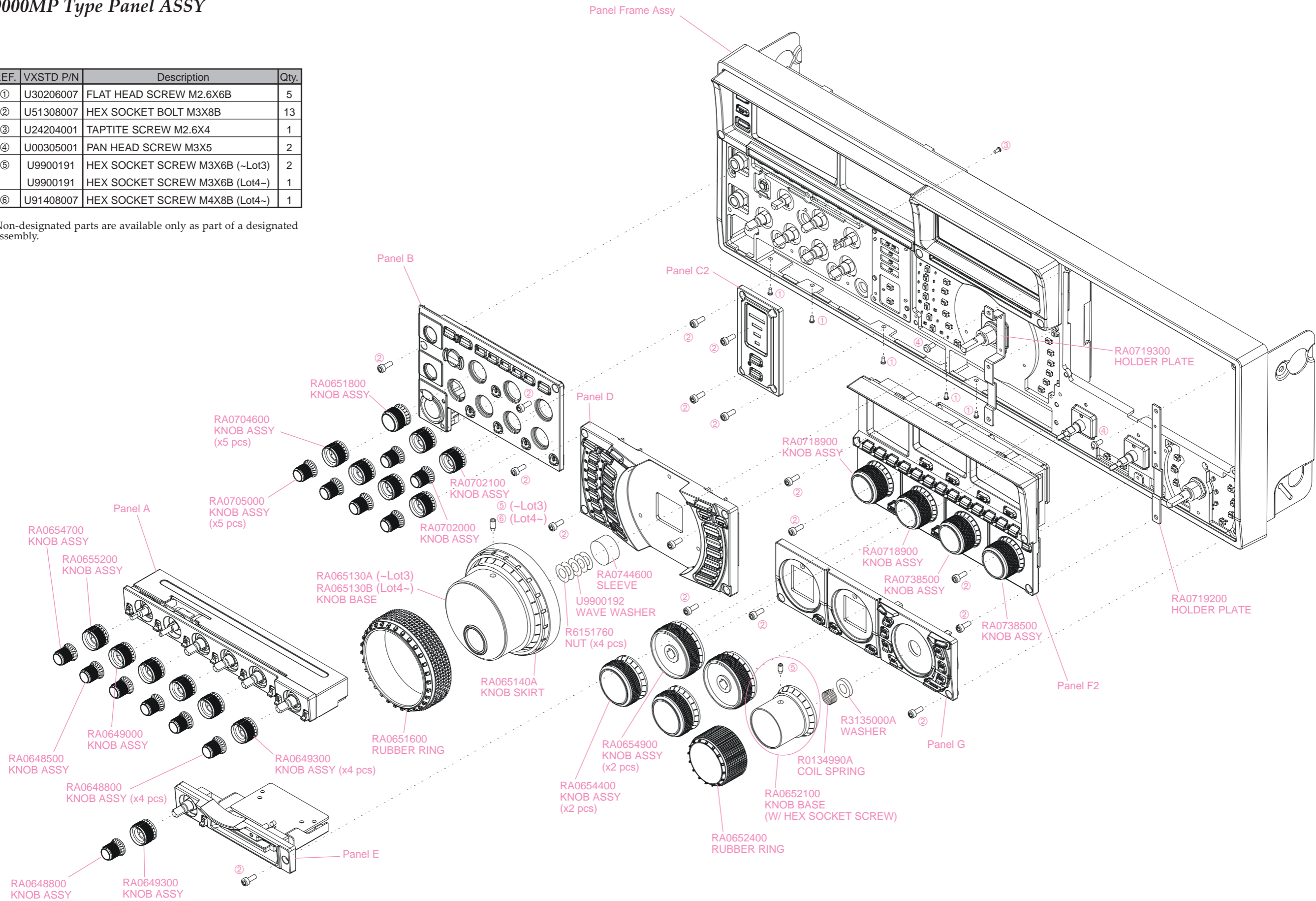


# Exploded View

## FT DX 9000MP Type Panel ASSY

REF.	VXSTD P/N	Description	Qty.
①	U30206007	FLAT HEAD SCREW M2.6X6B	5
②	U51308007	HEX SOCKET BOLT M3X8B	13
③	U24204001	TAPTITE SCREW M2.6X4	1
④	U00305001	PAN HEAD SCREW M3X5	2
⑤	U9900191	HEX SOCKET SCREW M3X6B (~Lot3)	2
	U9900191	HEX SOCKET SCREW M3X6B (Lot4~)	1
⑥	U91408007	HEX SOCKET SCREW M4X8B (Lot4~)	1

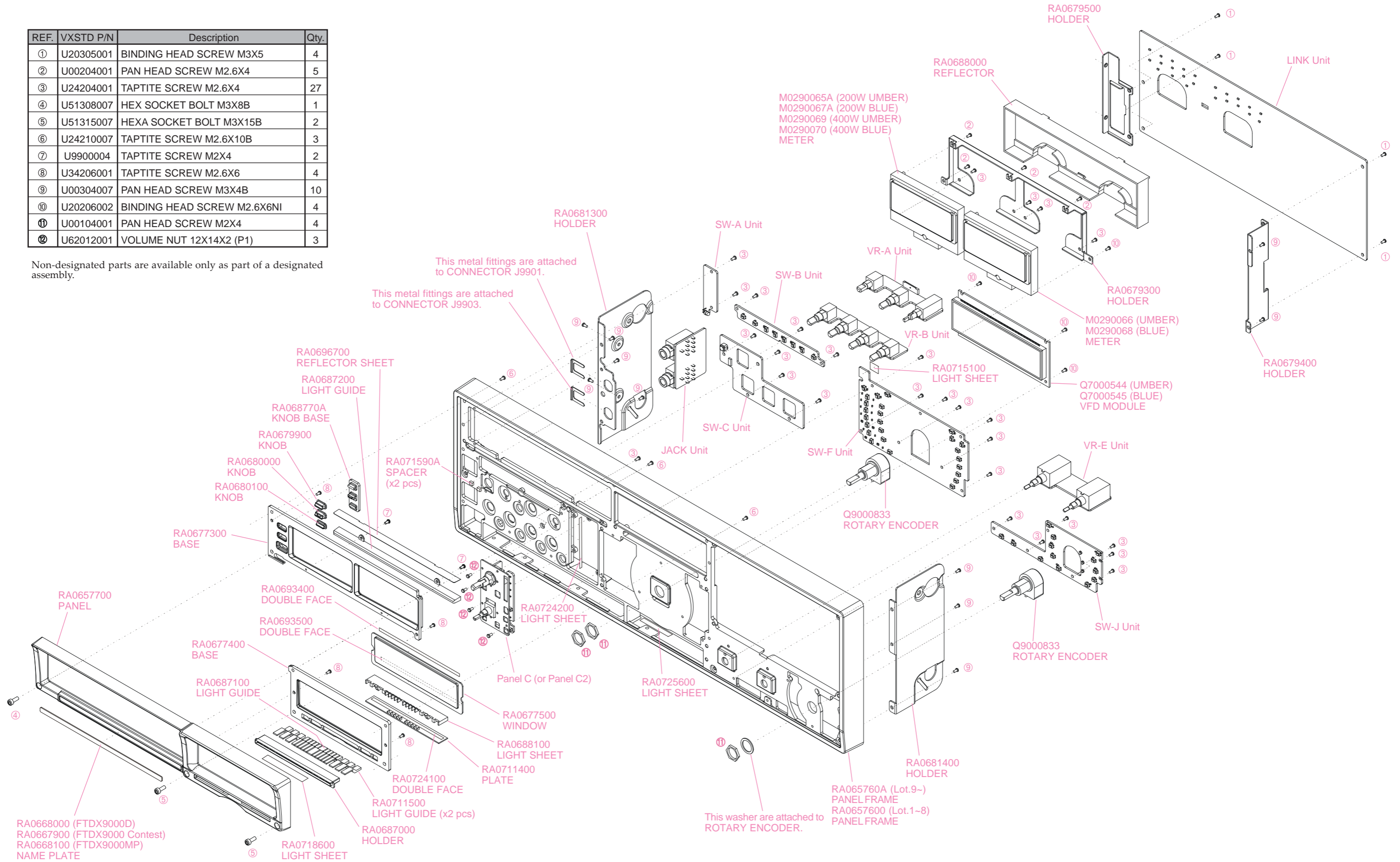
Non-designated parts are available only as part of a designated assembly.



Panel Frame ASSY

REF.	VXSTD P/N	Description	Qty.
①	U20305001	BINDING HEAD SCREW M3X5	4
②	U00204001	PAN HEAD SCREW M2.6X4	5
③	U24204001	TAPTITE SCREW M2.6X4	27
④	U51308007	HEX SOCKET BOLT M3X8B	1
⑤	U51315007	HEXA SOCKET BOLT M3X15B	2
⑥	U24210007	TAPTITE SCREW M2.6X10B	3
⑦	U9900004	TAPTITE SCREW M2X4	2
⑧	U34206001	TAPTITE SCREW M2.6X6	4
⑨	U00304007	PAN HEAD SCREW M3X4B	10
⑩	U20206002	BINDING HEAD SCREW M2.6X6NI	4
⑪	U00104001	PAN HEAD SCREW M2X4	4
⑫	U62012001	VOLUME NUT 12X14X2 (P1)	3

Non-designated parts are available only as part of a designated assembly.





*Exploded View*

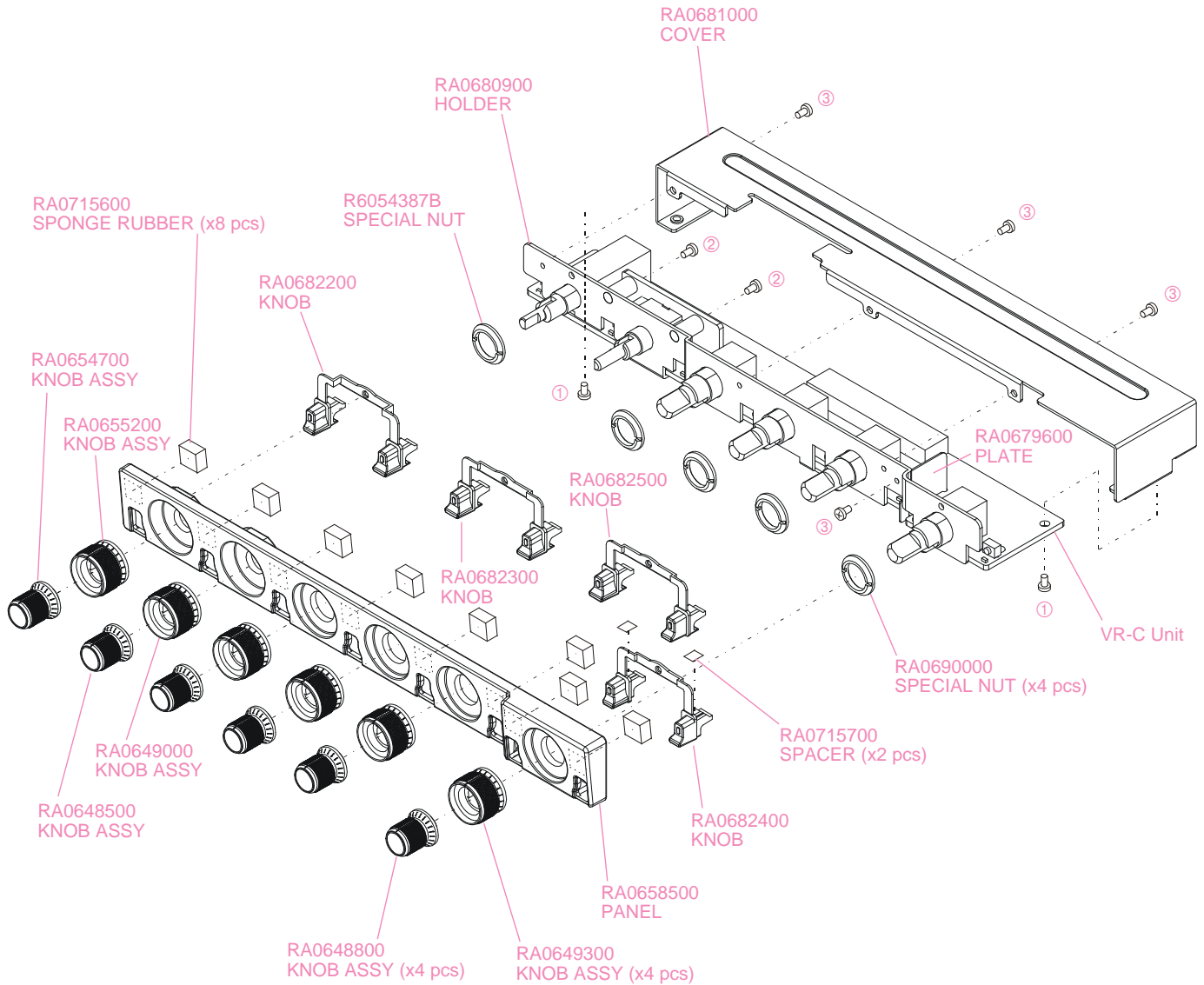
*Note*

# Exploded View

## Panel A

REF.	VXSTD P/N	Description	Qty.
①	U20205001	BINDING HEAD SCREW M2.6X5	2
②	U00204001	PAN HEAD SCREW M2.6X4	2
③	U9900035	TAPTITE SCREW M2X3	4

Non-designated parts are available only as part of a designated assembly.

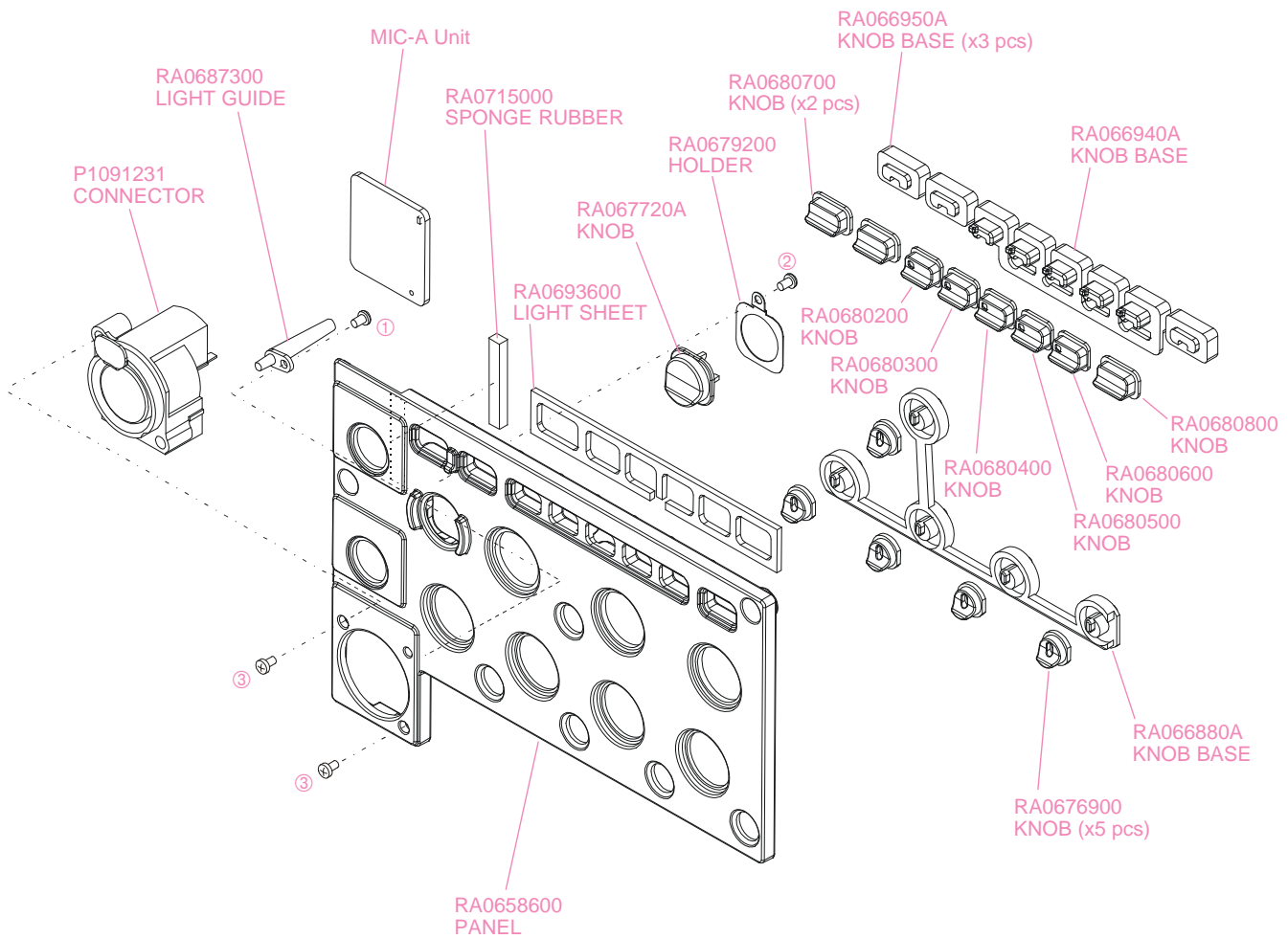


# Exploded View

## Panel B

REF.	VXSTD P/N	Description	Qty.
①	U9900004	TAPTITE SCREW M2X4	1
②	U9900035	TAPTITE SCREW M2X3	1
③	U44A08007	TAPTITE SCREW M2.5X8B	2

Non-designated parts are available only as part of a designated assembly.

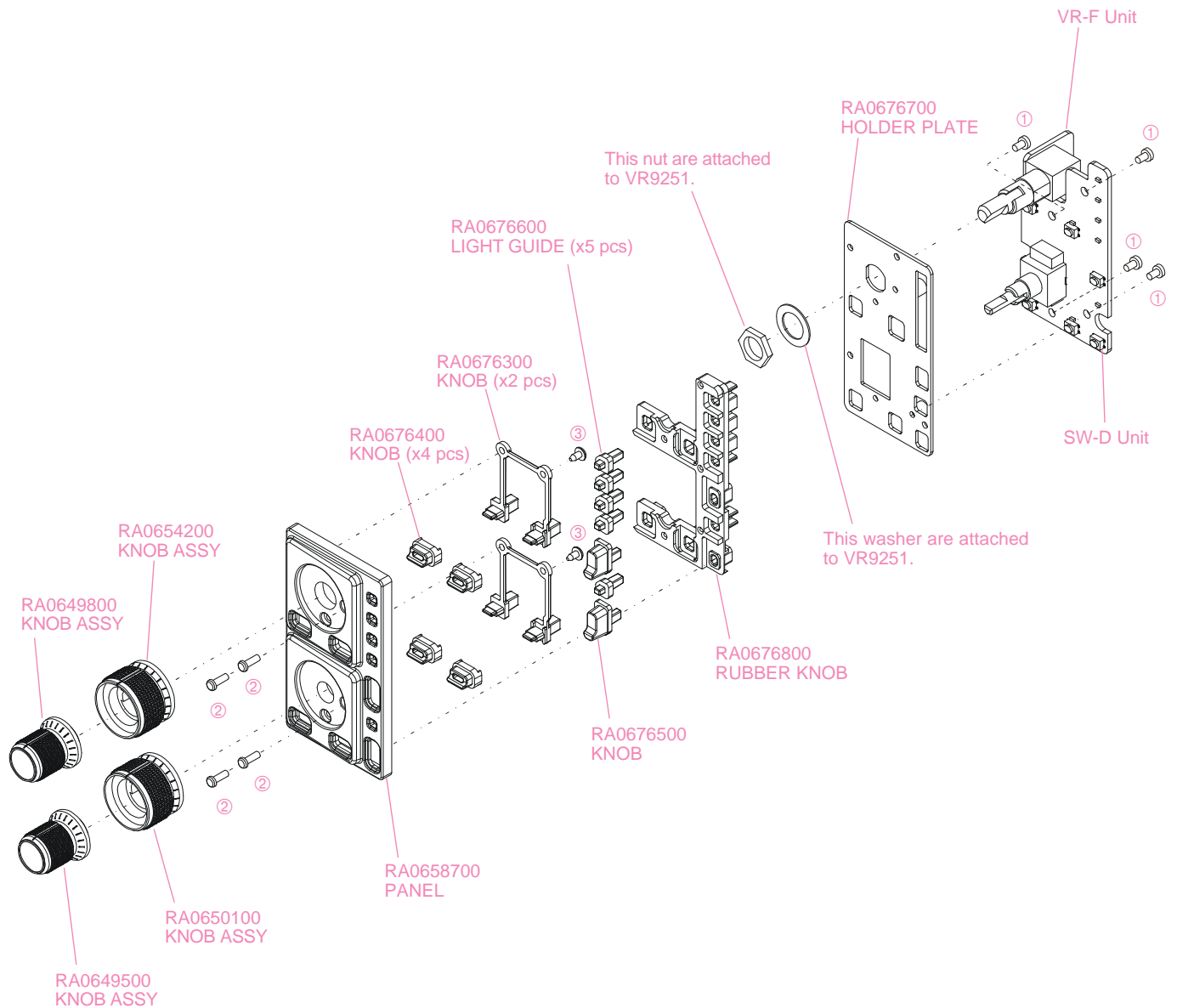


# Exploded View

## Panel C

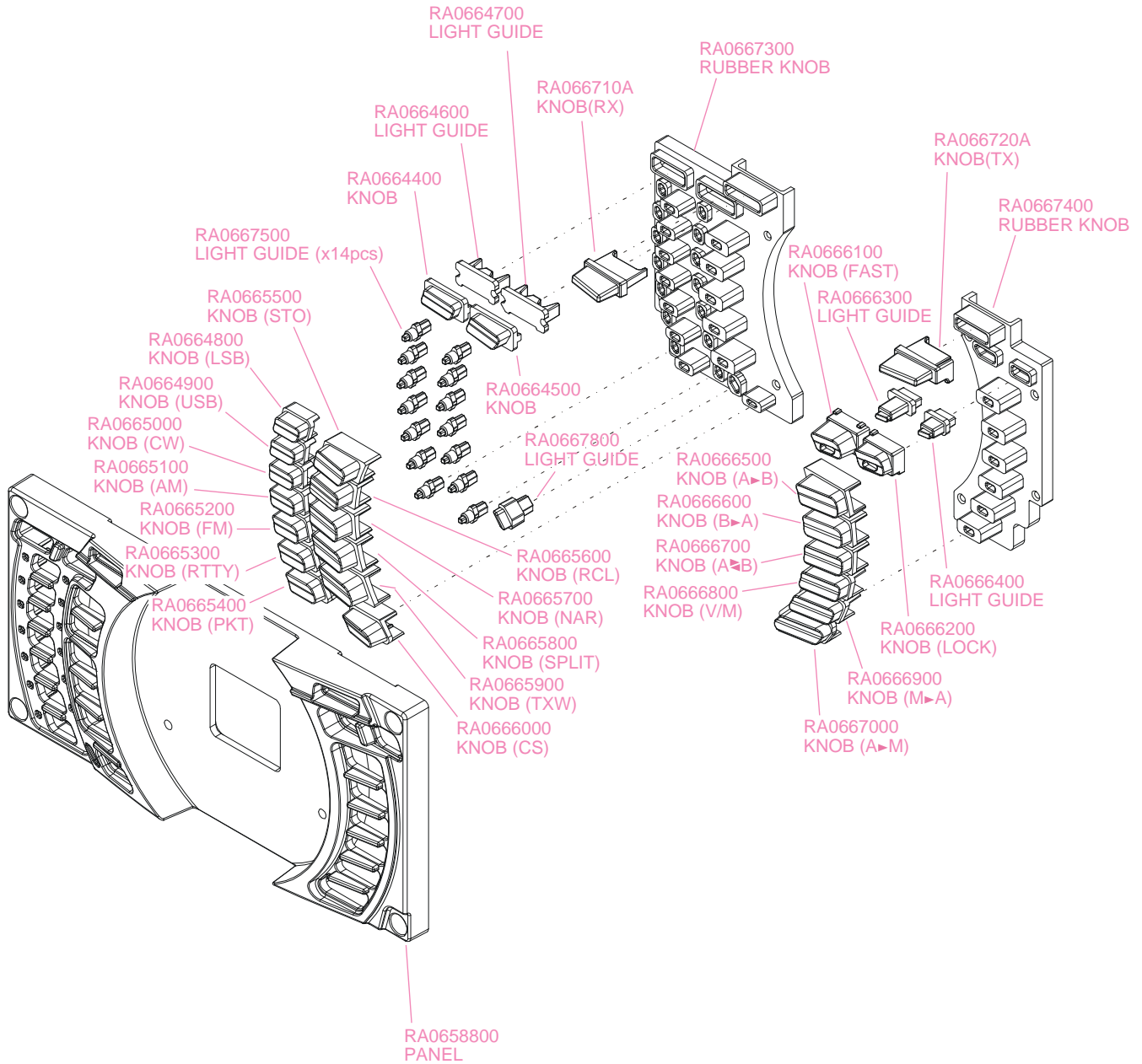
REF.	VXSTD P/N	Description	Qty.
①	U20205001	BINDING HEAD SCREW M2.6X5	4
②	U00106007	PAN HEAD SCREW M2X6B	4
③	U9900004	TAPTITE SCREW M2X4	2

Non-designated parts are available only as part of a designated assembly.



# Exploded View

## Panel D

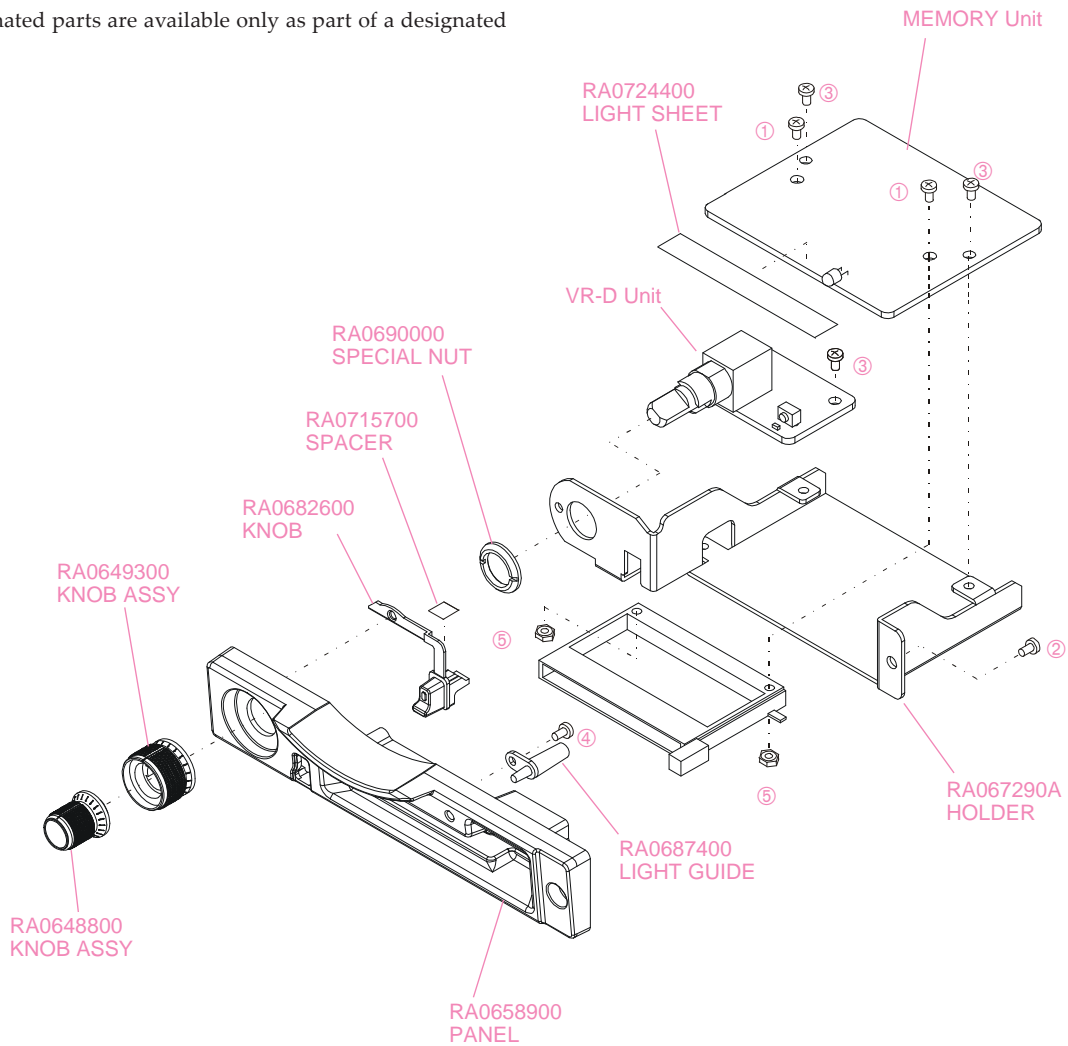


# Exploded View

## Panel E

REF.	VXSTD P/N	Description	Qty.
①	U20106001	BINDING HEAD SCREW M2X6	2
②	U24205001	TAPTITE SCREW M2.6X5	1
③	U24204001	TAPTITE SCREW M2.6X4	3
④	U9900004	TAPTITE SCREW M2X4	1
⑤	U60100301	HEX NUT N2	2

Non-designated parts are available only as part of a designated assembly.

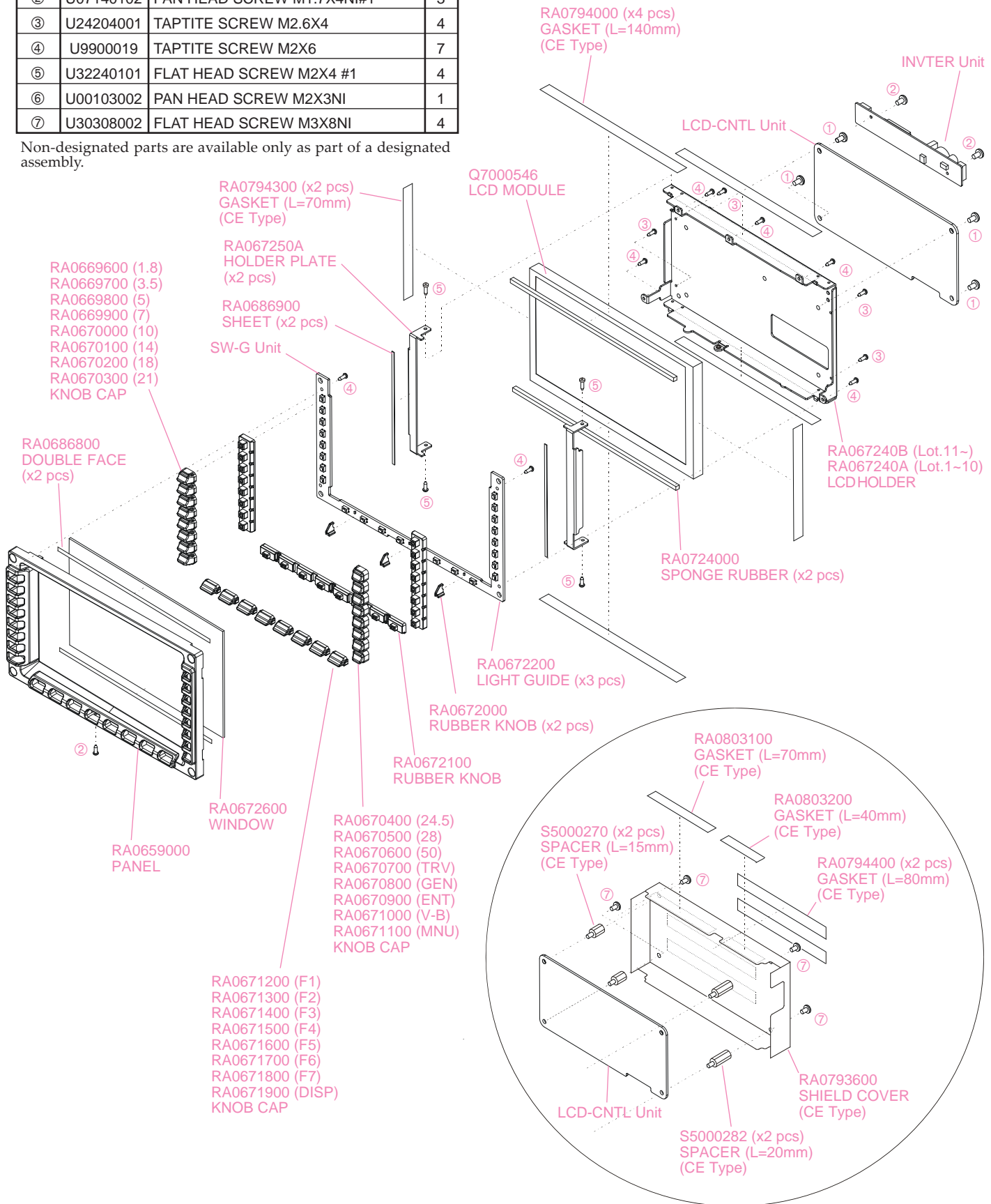


# Exploded View

## Panel F

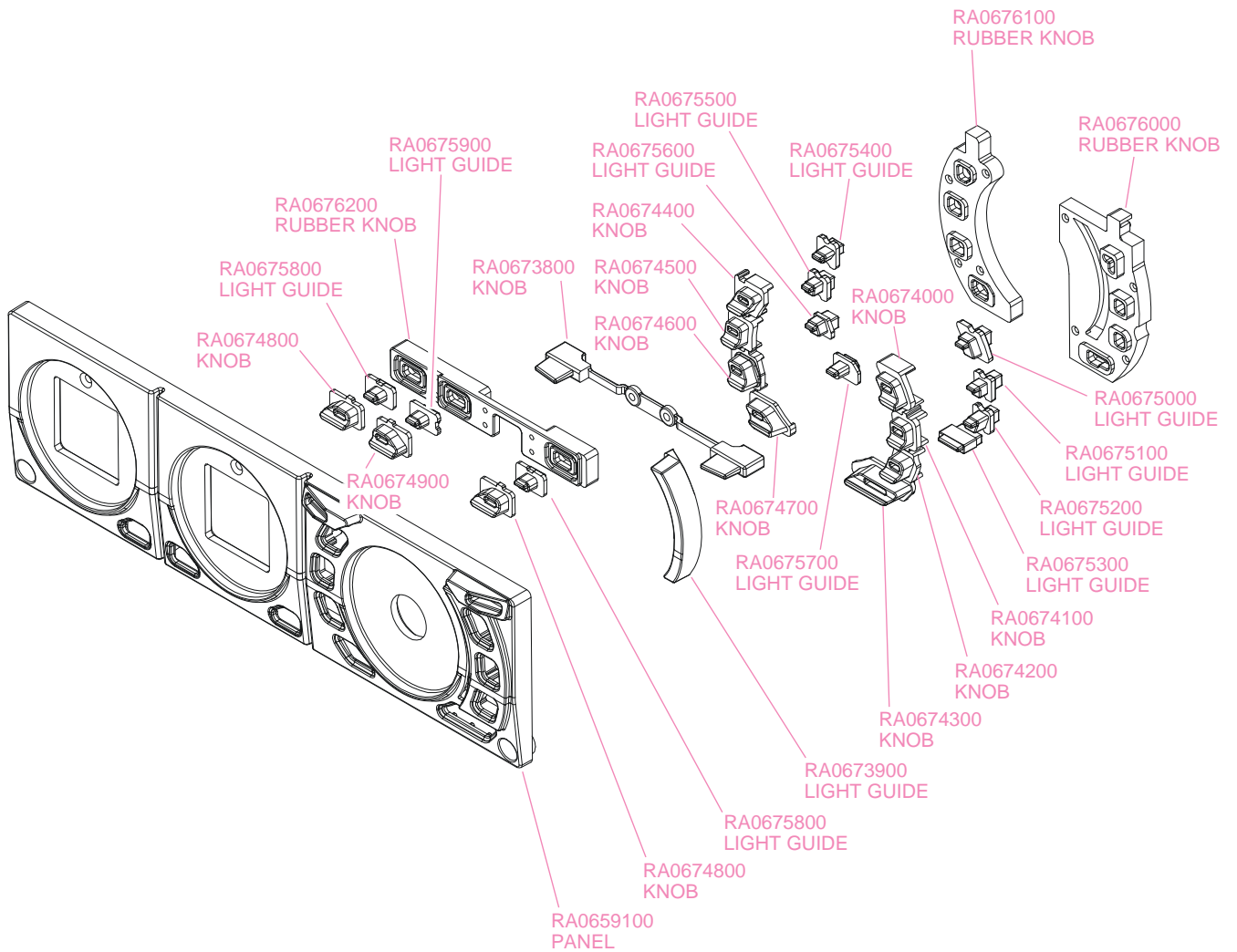
REF.	VXSTD P/N	Description	Qty.
①	U20305001	BINDING HEAD SCREW M3X5	4
②	U07140102	PAN HEAD SCREW M1.7X4NI#1	3
③	U24204001	TAPTITE SCREW M2.6X4	4
④	U9900019	TAPTITE SCREW M2X6	7
⑤	U32240101	FLAT HEAD SCREW M2X4 #1	4
⑥	U00103002	PAN HEAD SCREW M2X3NI	1
⑦	U30308002	FLAT HEAD SCREW M3X8NI	4

Non-designated parts are available only as part of a designated assembly.



# Exploded View

## Panel G



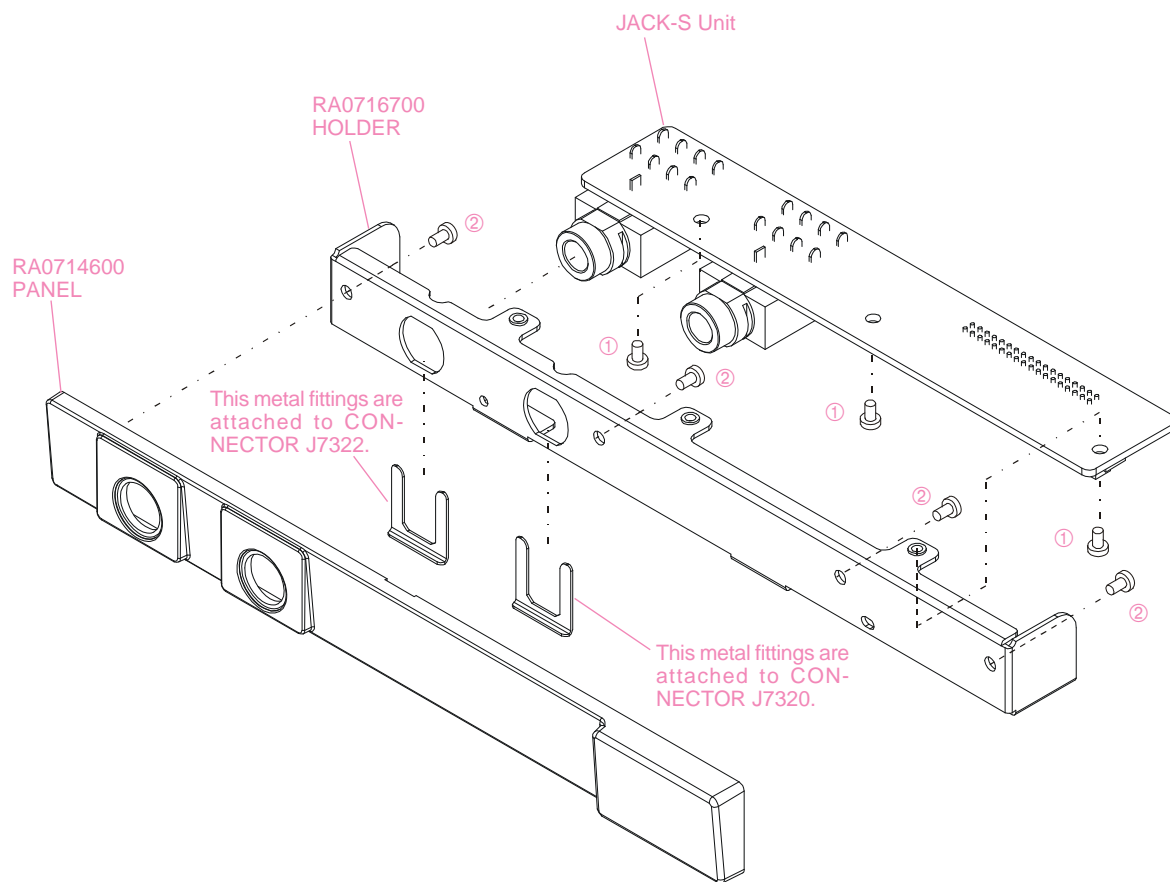


# Exploded View

## Panel A2 (Contest /MP Type)

REF.	VXSTD P/N	Description	Qty.
①	U20205001	BINDING HEAD SCREW M2.6X5	3
②	U24205001	TAPTITE SCREW M2.6X5	4

Non-designated parts are available only as part of a designated assembly.

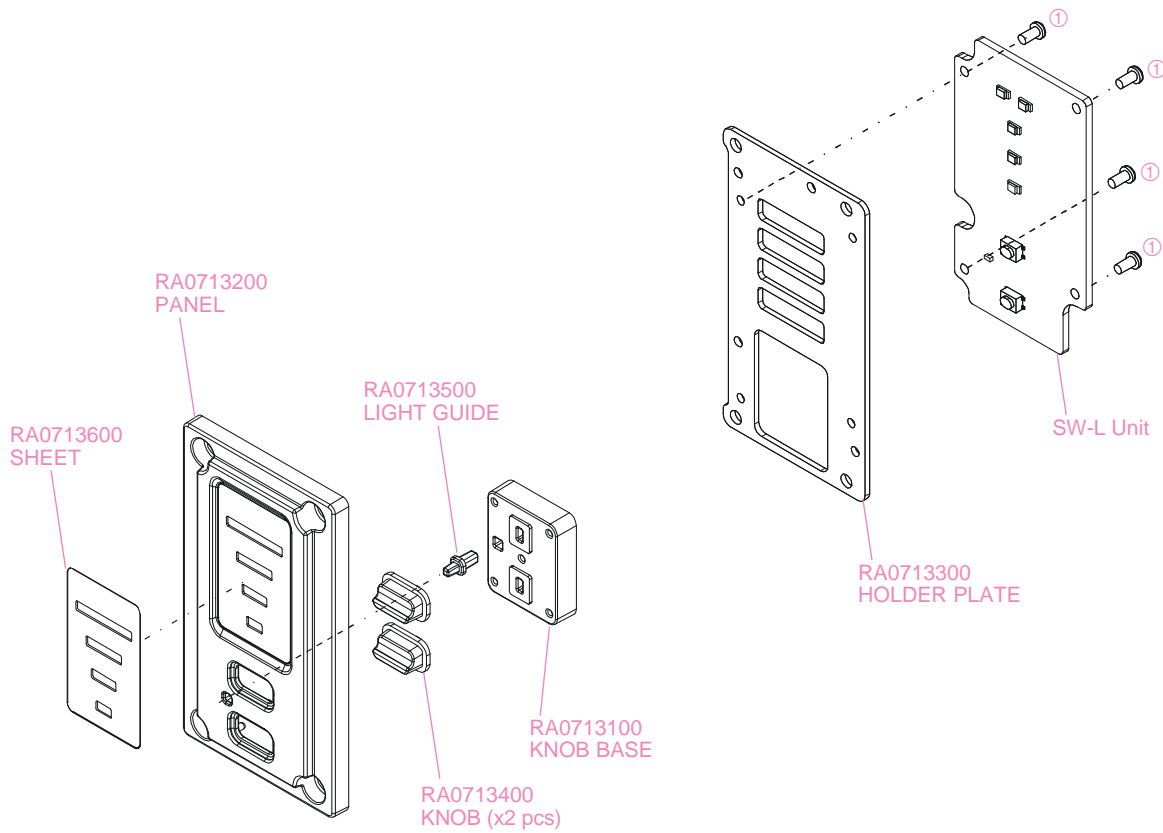


# Exploded View

## Panel C2 (Contest /MP Type)

REF.	VXSTD P/N	Description	Qty.
①	U00104001	PAN HEAD SCREW M2X4	4

Non-designated parts are available only as part of a designated assembly.

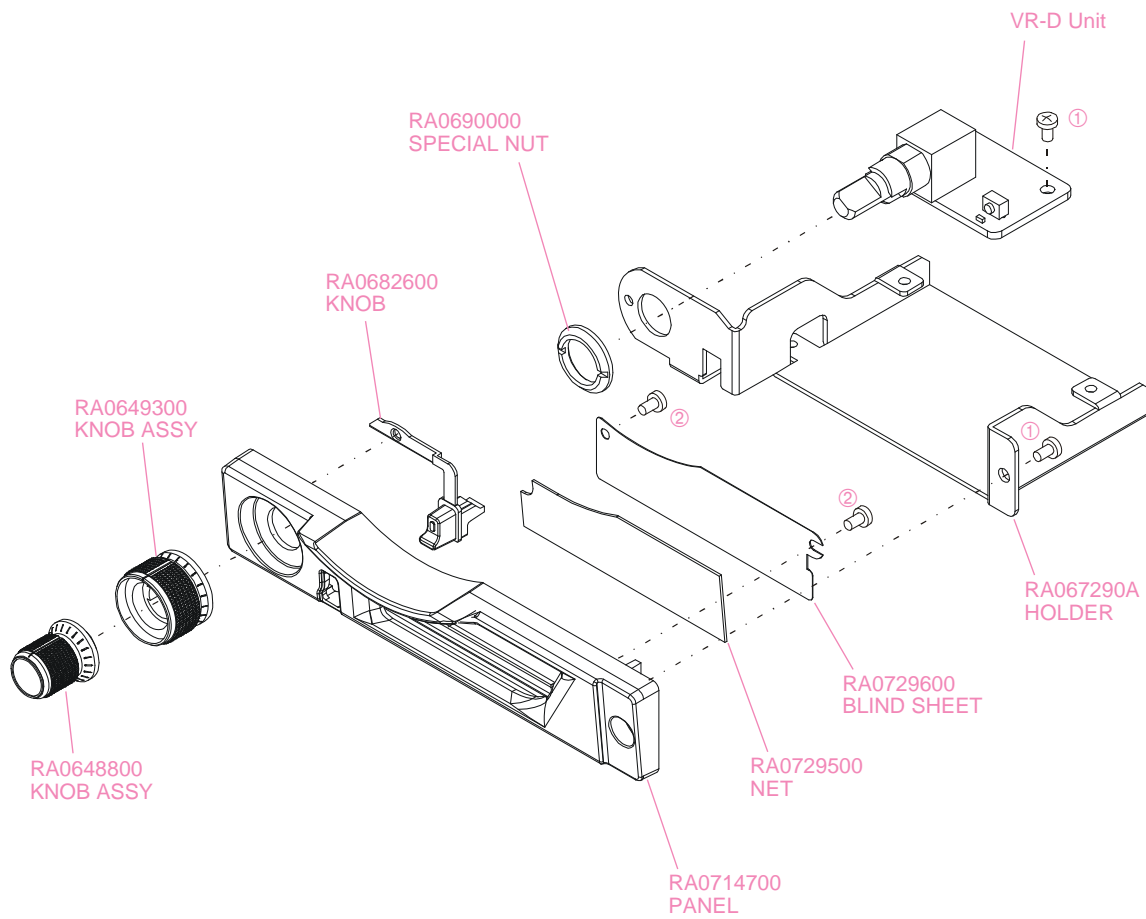


# Exploded View

## Panel E2 (Contest /MP Type)

REF.	VXSTD P/N	Description	Qty.
①	U24205001	TAPTITE SCREW M2.6X5	2
②	U24104001	TAPTITE SCREW M2X4	2

Non-designated parts are available only as part of a designated assembly.

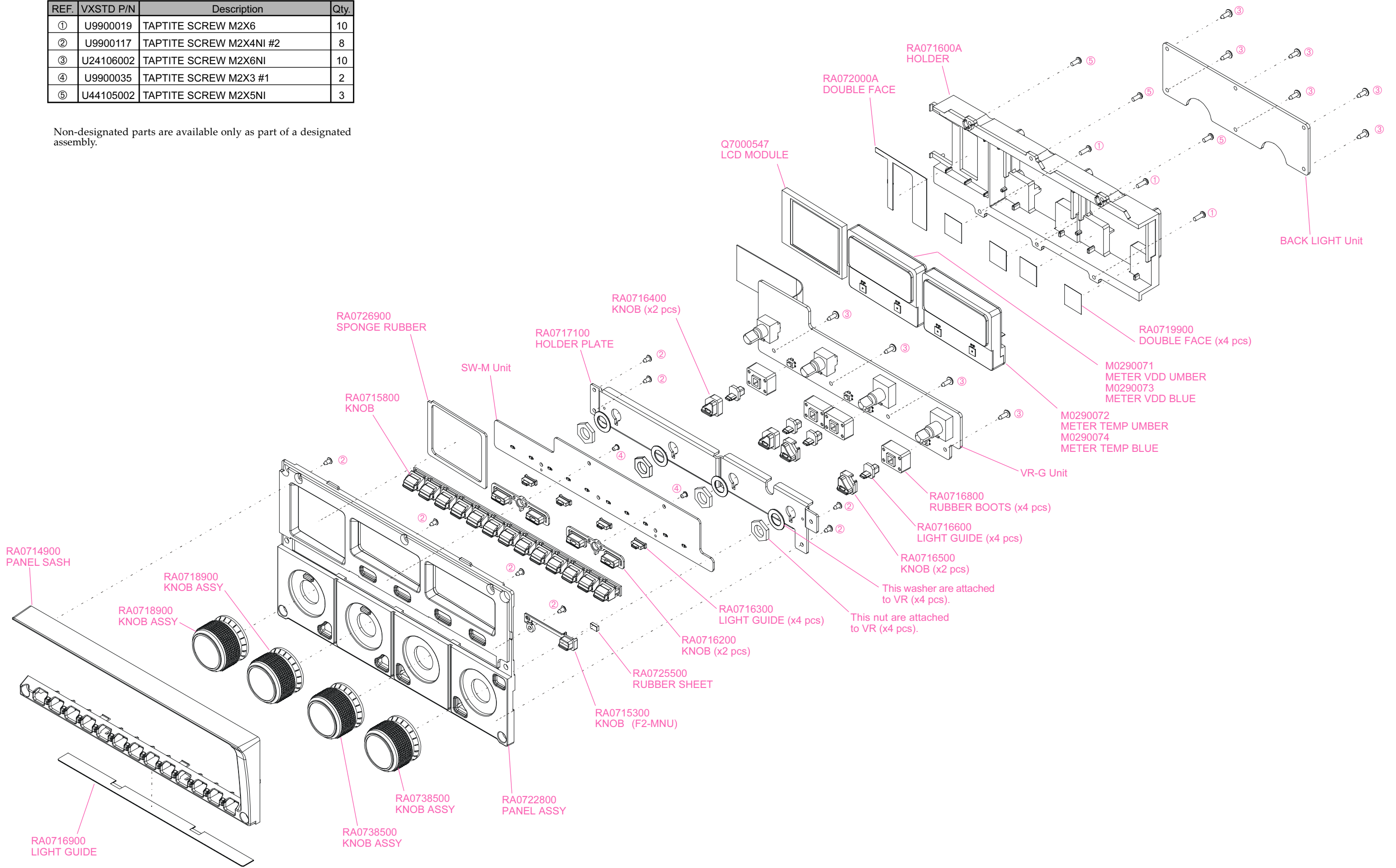


# Exploded View

## Panel F2

REF.	VXSTD P/N	Description	Qty.
①	U9900019	TAPTITE SCREW M2X6	10
②	U9900117	TAPTITE SCREW M2X4NI #2	8
③	U24106002	TAPTITE SCREW M2X6NI	10
④	U9900035	TAPTITE SCREW M2X3 #1	2
⑤	U44105002	TAPTITE SCREW M2X5NI	3

Non-designated parts are available only as part of a designated assembly.

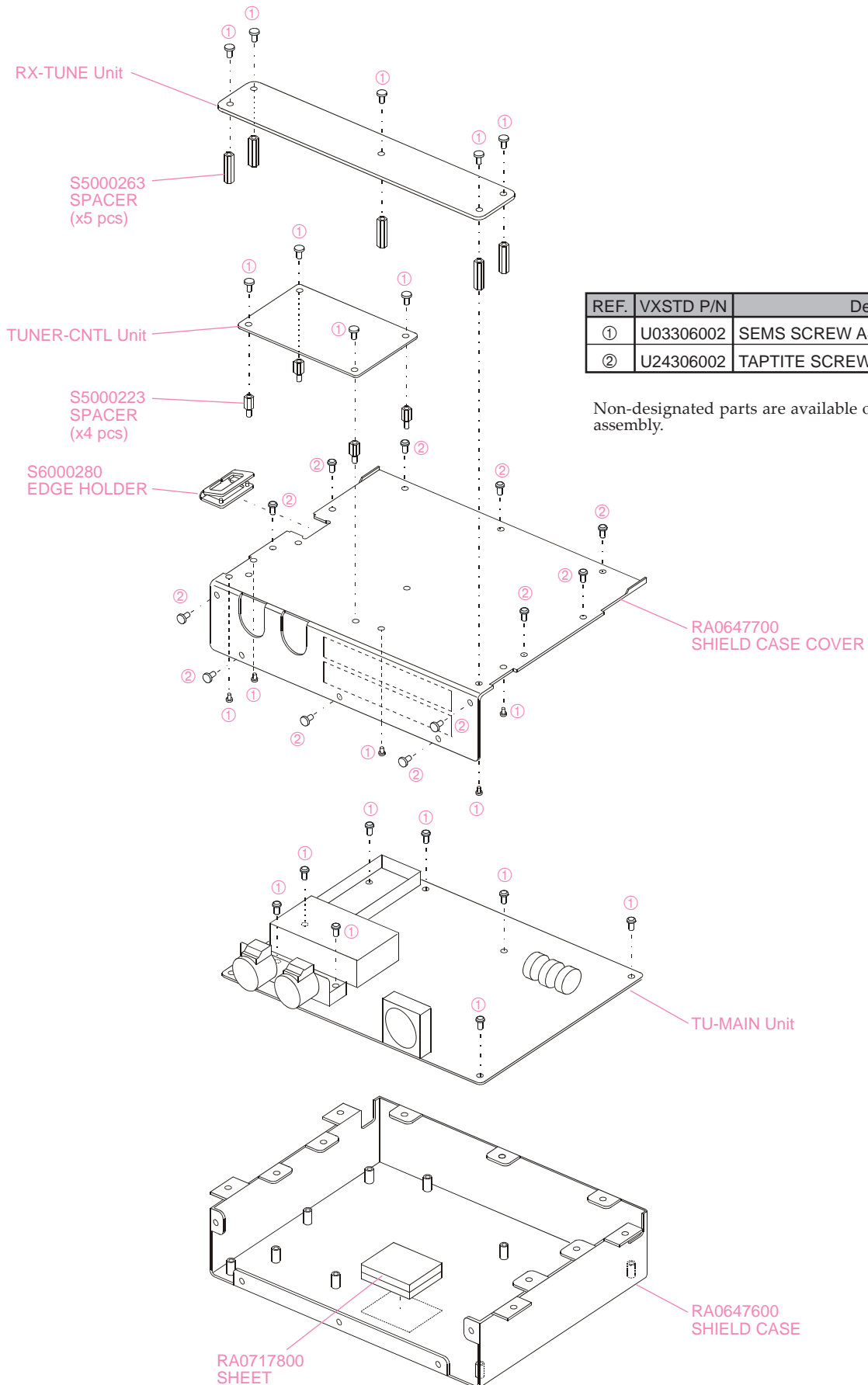


## *Exploded View*

*Note*

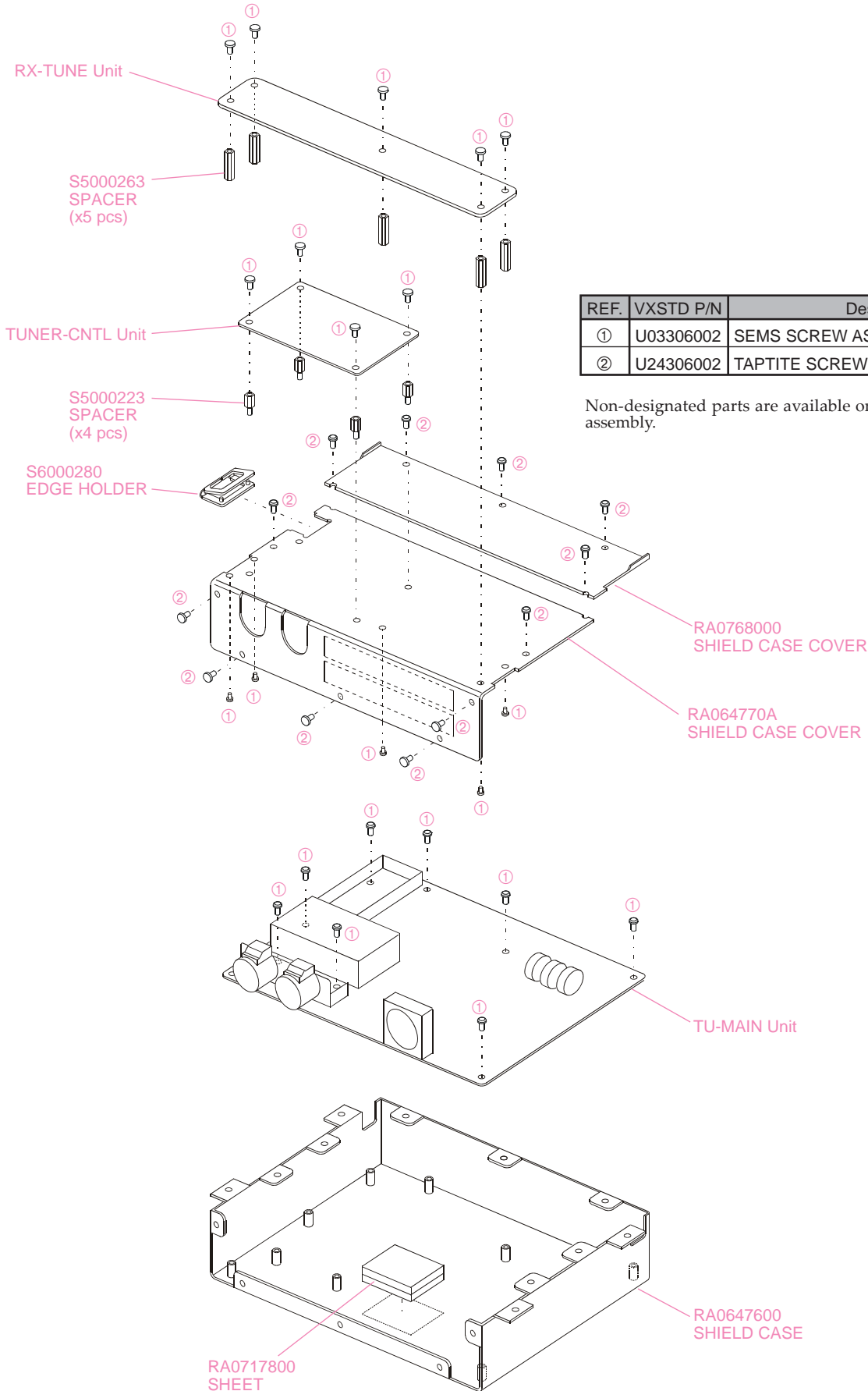
# Exploded View

## FT DX 9000D/Contest Type TUNE Unit (~Lot.3)



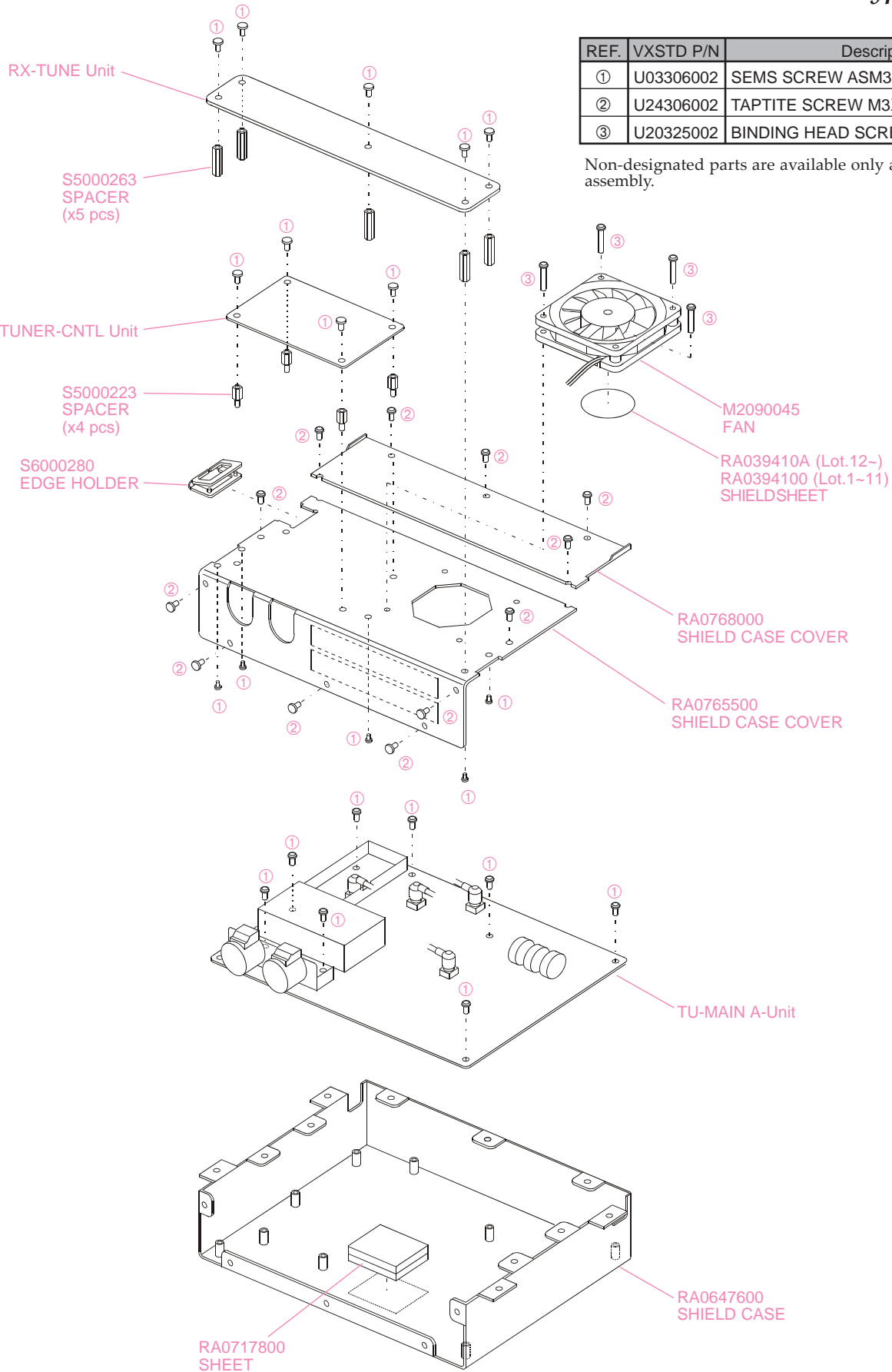
# Exploded View

## FT DX 9000D/Contest Type TUNE Unit (Lot.4~)



# Exploded View

## FT DX 9000MP Type TUNE Unit



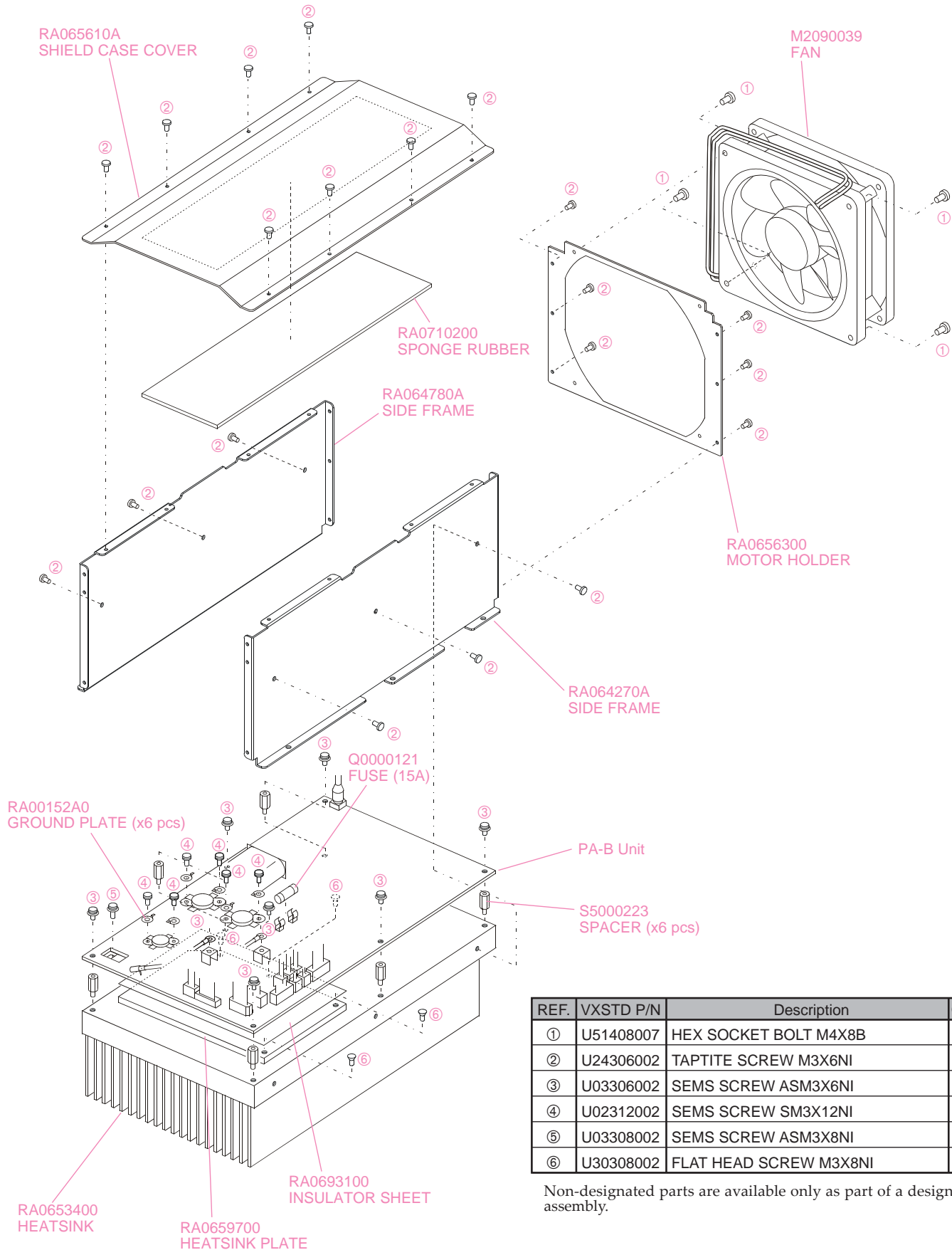
REF.	VXSTD P/N	Description	Qty.
①	U03306002	SEMS SCREW ASM3X6NI	22
②	U24306002	TAPTITE SCREW M3X6NI	12
③	U20325002	BINDING HEAD SCREW M3X25NI	4

Non-designated parts are available only as part of a designated assembly.



# Exploded View

## FT DX 9000D/Contest Type 200W PA-B Unit

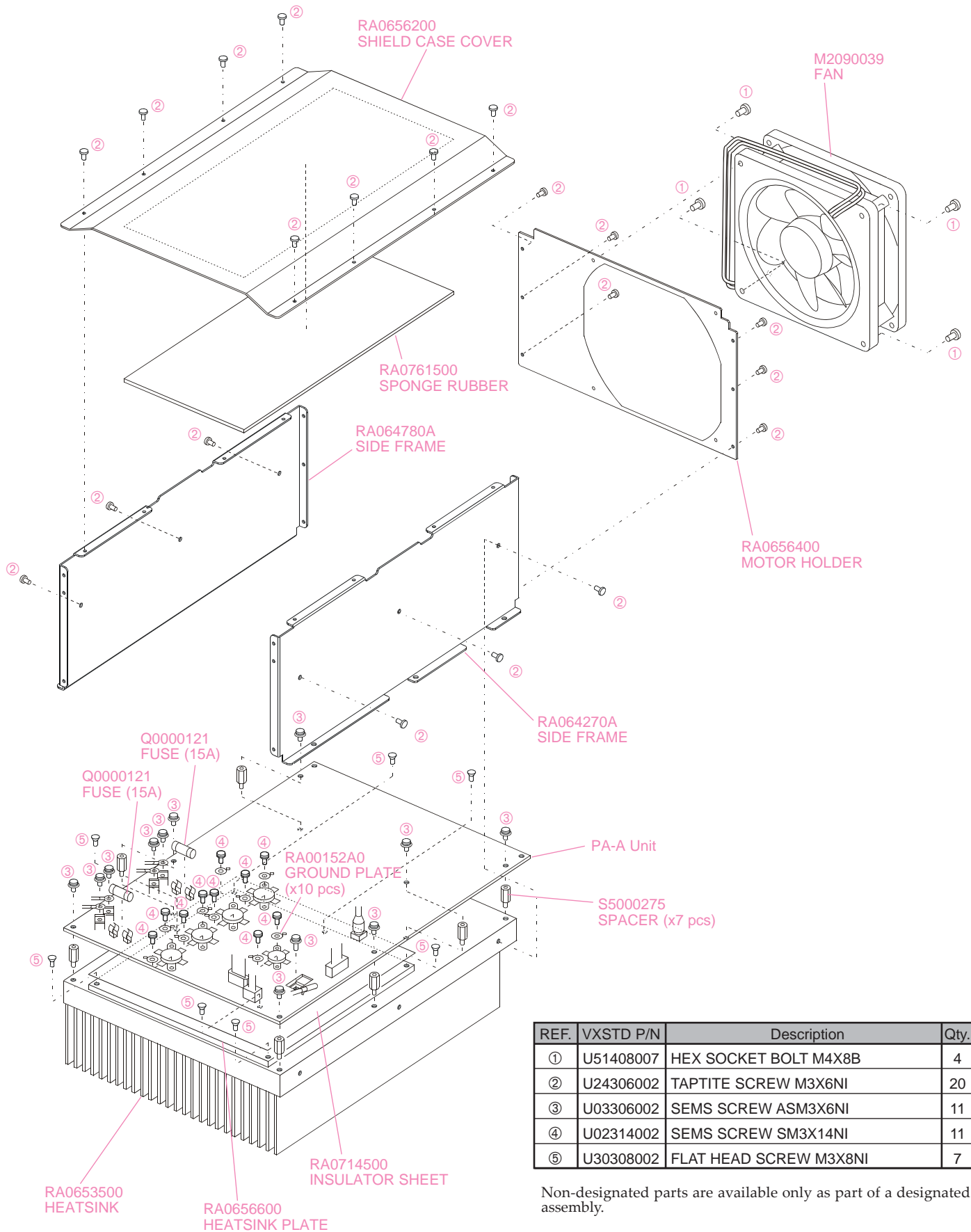


REF.	VXSTD P/N	Description	Qty.
①	U51408007	HEX SOCKET BOLT M4X8B	4
②	U24306002	TAPTITE SCREW M3X6NI	20
③	U03306002	SEMS SCREW ASM3X6NI	9
④	U02312002	SEMS SCREW SM3X12NI	6
⑤	U03308002	SEMS SCREW ASM3X8NI	1
⑥	U30308002	FLAT HEAD SCREW M3X8NI	4

Non-designated parts are available only as part of a designated assembly.

# Exploded View

## FT DX 9000MP Type 400W PA-A Unit



REF.	VXSTD P/N	Description	Qty.
①	U51408007	HEX SOCKET BOLT M4X8B	4
②	U24306002	TAPTITE SCREW M3X6NI	20
③	U03306002	SEMS SCREW ASM3X6NI	11
④	U02314002	SEMS SCREW SM3X14NI	11
⑤	U30308002	FLAT HEAD SCREW M3X8NI	7

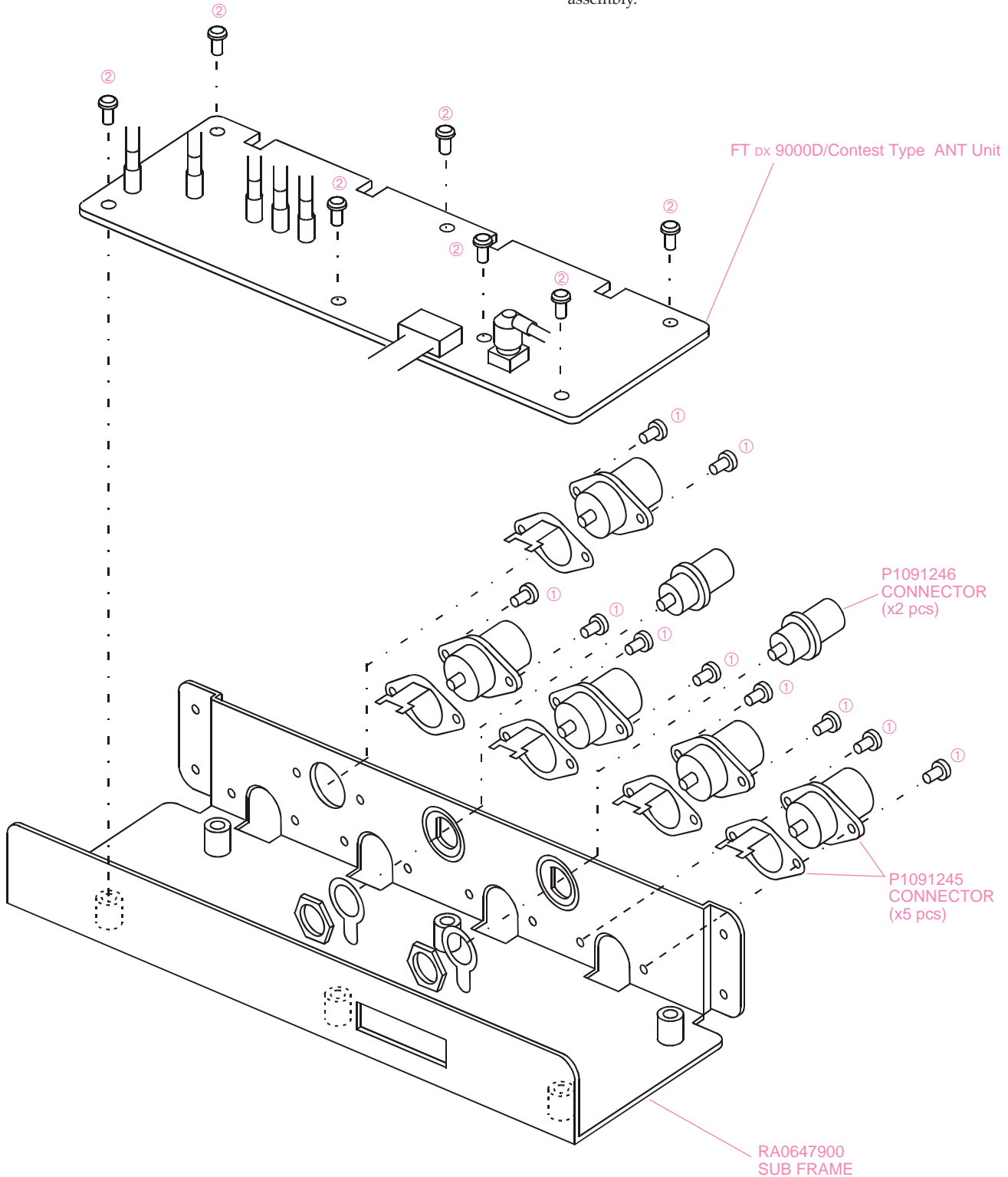
Non-designated parts are available only as part of a designated assembly.

# Exploded View

## FT DX 9000D/Contest Type ANT Unit

REF.	VXSTD P/N	Description	Qty.
①	U44308007	TAPTITE SCREW M3X8B	10
②	U03308002	SEMS SCREW ASM3X8NI	7

Non-designated parts are available only as part of a designated assembly.

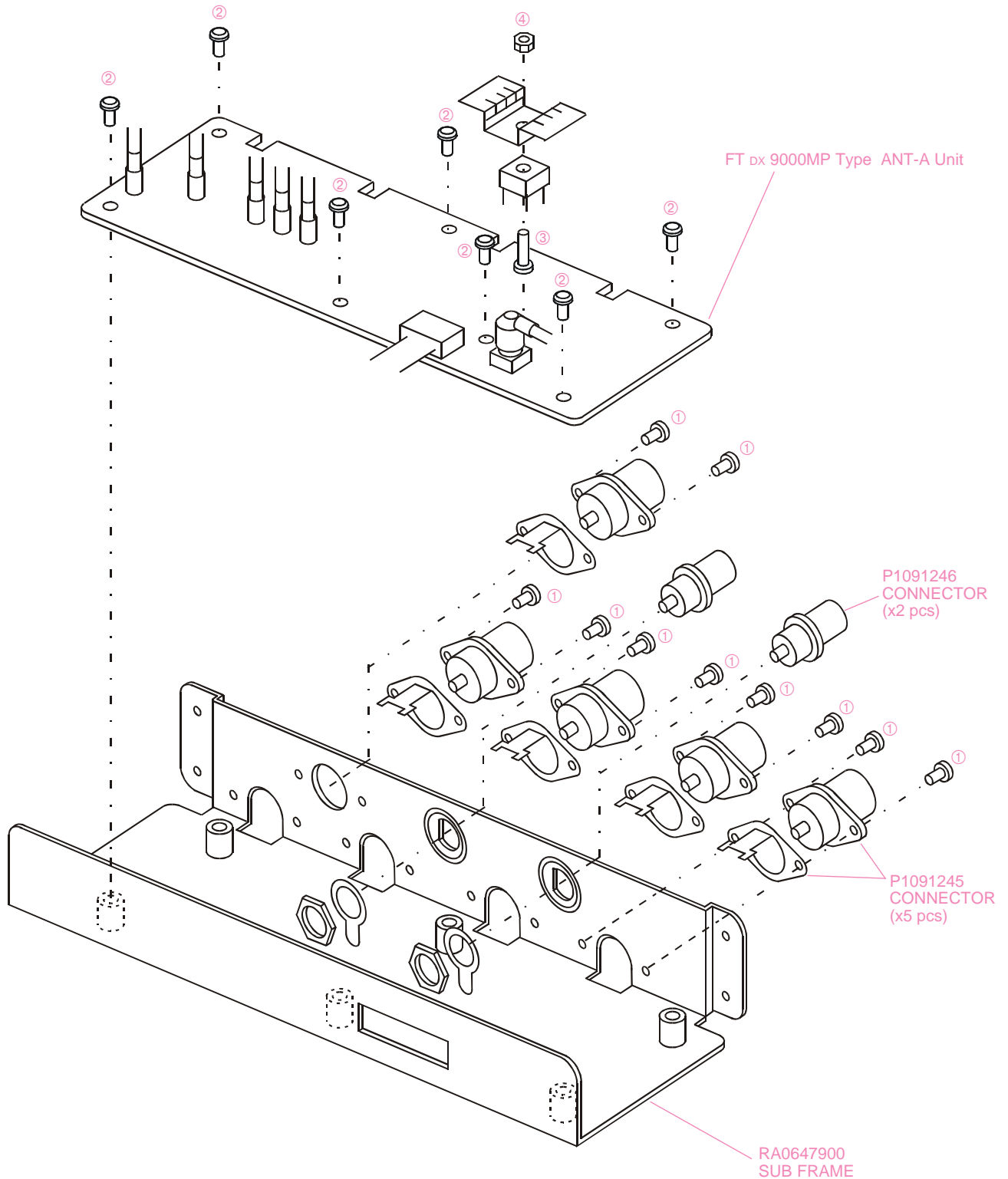


# Exploded View

## FT DX 9000MP Type ANT-A Unit

REF.	VXSTD P/N	Description	Qty.
①	U44308007	TAPTITE SCREW M3X8B	10
②	U03308002	SEMS SCREW ASM3X8NI	7
③	U02312002	SEMS SCREW SM3X12NI	1
④	U66300002	FLANGE NUT N3NI	1

Non-designated parts are available only as part of a designated assembly.



# *Exploded View*

*Note*

## *Introduction and Precautions*

The following procedures cover adjustments that are not normally required once the transceiver has left the factory. However, if damage occurs and some parts subsequently be replaced, realignment may be required. If a sudden problem occurs during normal operation, it is likely due to component failure; realignment should not be done until after the faulty component has been replaced.

We recommend that servicing be performed by authorized Yaesu service technicians, experienced with the circuitry and fully equipped for repair and alignment. If a fault is suspected, contact the selling dealer for instructions regarding repair. Authorized Yaesu service technicians have the latest configuration information, and realign all circuits and make complete performance checks to ensure compliance with factory specifications after repairs.

Those who do undertake any of the following alignments are cautioned to proceed at their own risk. Problems caused by unauthorized attempts at realignment are not covered by the warranty policy. Also, Yaesu must reserve the right to change circuits and alignment procedures in the interest of improved performance, without notifying owners.

Under no circumstances should any alignment be attempted unless the normal function and operation of the transceiver are clearly understood, the cause of the malfunction has been clearly pinpointed and any faulty components replaced, and the need for realignment determined to be absolutely necessary.

The following test equipment (and thorough familiarity with its correct use) is necessary for complete realignment. Most steps do not require all of the equipment listed, but the interactions of some adjustments may require that more complex adjustments be performed in a sequence. Do not attempt to perform only a single step unless it is clearly isolated electrically from all other steps. Rather, have all test equipment ready before beginning, and follow all of the steps in a section in the order they are presented.

## *Required Test Equipment*

- Digital DC Voltmeter (high-Z, 1 M-Ohm/V)
- DC Ammeter
- RF Millivoltmeter
- AC Voltmeter
- RF Standard Signal Generator w/calibrated output and dB scale, 0 dB $\mu$  = 0.5 $\mu$ V
- Signal Generator with calibrated output
- Spectrum Analyzer good to at least 1 GHz.
- Frequency Counter
- 50-Ohm Dummy Load (500 watts)
- 100-Ohm Dummy Load (500 watts)
- 150-Ohm Dummy Load (500 watts)
- In-Line Wattmeter (500 watts, 50-Ohm)
- Linear Detector
- RF Coupler

## *Alignment Preparation & Precautions*

A 50-ohm RF Dummy load and in-line wattmeter must be connected to the main antenna jack in all procedures that call for transmission, except where specified otherwise. Correct alignment is not possible with an antenna.

After completing one step, read the following step to determine whether the same test equipment will be required. If not, remove the test equipment (except dummy load and wattmeter, if connected) before proceeding.

Correct alignment requires that the ambient temperature be the same as that of the transceiver and test equipment, and that this temperature be held constant between 68 °F ~ 86 °F (20 °C ~ 30 °C). When the transceiver is brought into the shop from hot or cold air, it should be allowed time to come to room temperature before alignment.

Whenever possible, alignments should be made with oscillator shields and circuit boards firmly affixed in place. Also, the test equipment must be thoroughly warmed up before beginning.

**Note:** Signal levels in dB referred to in this procedure are based on 0 dB $\mu$  = 0.5  $\mu$ V (closed circuit).

# Alignment

## Analog Meter Adjustment

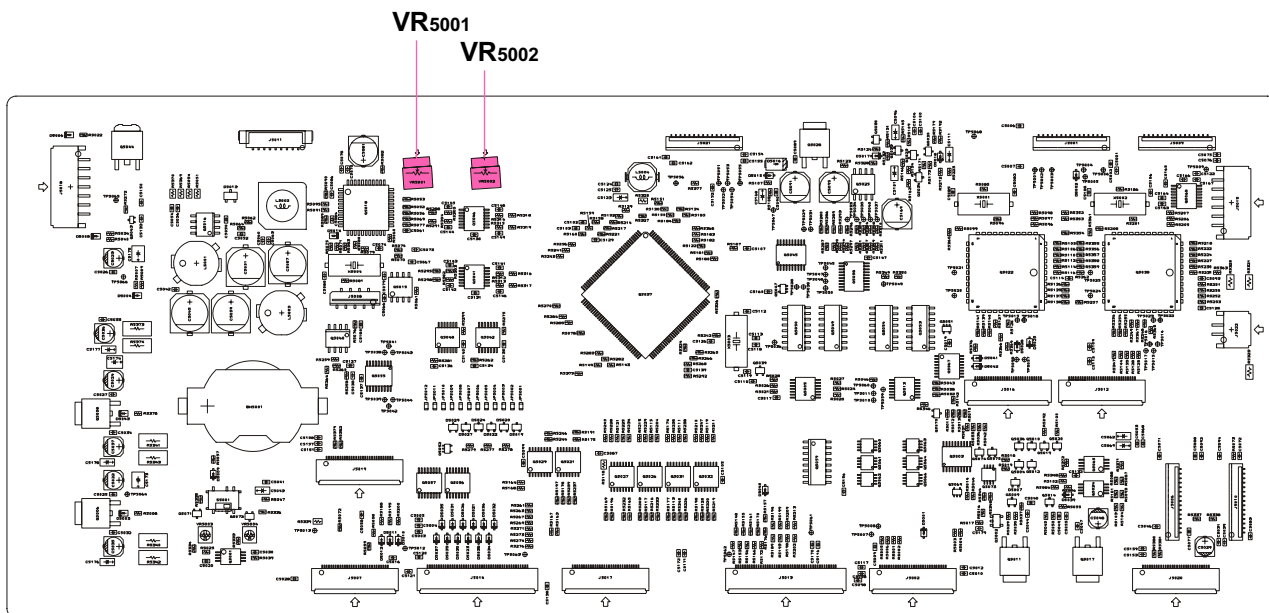
- ❑ Press and hold in the [ANT1], [ANT3], and [RX ANT] keys, while turning the radio on, to enter the alignment mode.
- ❑ Rotate the Main Dial knob to select the alignment parameter “01.”
- ❑ Rotate the CLAR/VFO-B knob so that the VFO-B frequency display is displayed as “255.”
- ❑ Adjust VR5001 on the CNTL Unit so that the Main S-meter deflects to full scale.
- ❑ Adjust VR5002 on the CNTL Unit so that the Sub S-meter deflects to full scale.
- ❑ The following alignments are performed on the Contest and MP versions only.
  - Adjust VR7401 on the VR-G Unit so that the VDD/BIAS meter deflects to full scale.
  - Adjust VR7402 on the VR-G Unit so that the TEMP/SWR meter deflects to full scale.
- ❑ Press and hold in the [MNU] key for 2 seconds to exit from the alignment mode.

## TFT Display Flicker Adjustment

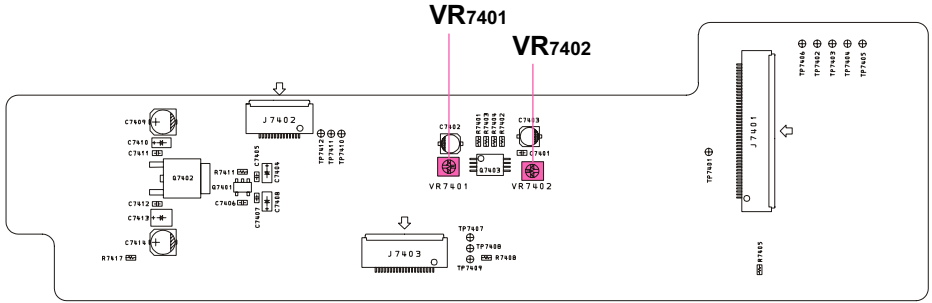
- ❑ Connect the DC voltmeter to pin 3 of Q4704 on the LCD-CNTL Unit.
- ❑ Adjust VR4702 on the LCD-CNTL Unit for 1.9 V ( $\pm 0.02$  V) on the DC voltmeter.

## Dimmer Adjustment

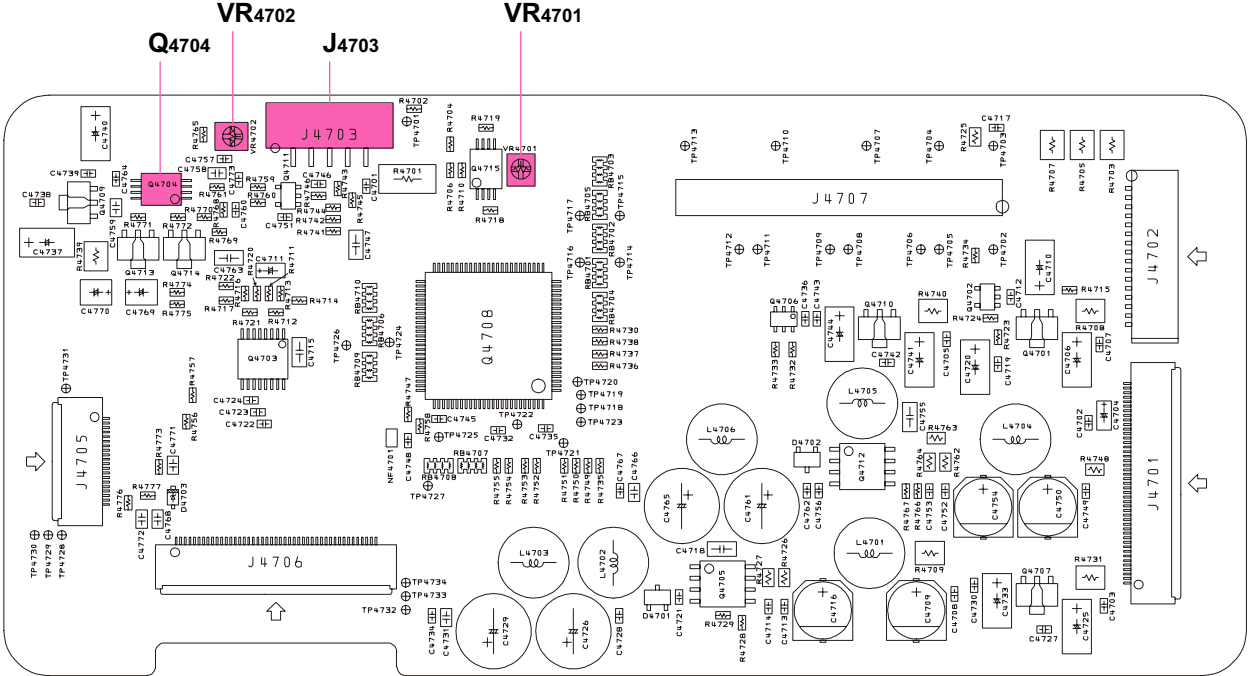
- ❑ Press the [MNU] key momentarily to enter the Menu (“Set”) mode.
- ❑ Rotate the Main Dial knob to select Menu item “DISPLAY 014 DIMMER-METER.”
- ❑ Rotate the CLAR/VFO-B knob to set this Menu item to “15.”
- ❑ Connect the DC voltmeter to pin 3 of J4703 on the LCD-CNTL Unit.
- ❑ If the DC voltmeter reading is above 4.8 V, adjust VR4701 for 4.8 V ( $\pm 0.1$  V) on the DC voltmeter.
- ❑ Press the [MNU] key momentarily to exit from the Menu (“Set”) mode.



**CNTL UNIT ALIGNMENT POINTS**



**VR-G UNIT ALIGNMENT POINTS**



**LCD-CNTL UNIT ALIGNMENT POINTS**



# Alignment

## *SHIFT/WIDTH Knob Zero (Center) Adjustment*

- ❑ Set the (Main & Sub) SHIFT/WIDTH knobs to the 12-o'clock position.
- ❑ Set the (Main & Sub) operating mode to "USB."
- ❑ Press and hold in the [ANT1], [ANT3], and [RX ANT] keys, while turning the radio on, to enter the alignment mode.
- ❑ Rotate the Main Dial knob to select the alignment parameter "02A."
- ❑ Rotate the CLAR/VFO-B knob so that the IF SHIFT frequency of the MAIN Band (VFO-A) is set to  $\pm 0.00$  on the TFT (D version) or LCD (MP/Contest versions) display. The center point ( $\pm 0.00$ ) is broad (7 points: D/MP versions, 18 points: Contest version). Therefore, set the CLAR/VFO-B knob to the center of this broad range.
- ❑ In the D and MP versions, rotate the Main Dial knob to select the alignment parameter "02b," then rotate the CLAR/VFO-B knob so that the IF SHIFT frequency of the Sub Band (VFO-B) is  $\pm 0.00$  on the TFT display. The center point ( $\pm 0.00$ ) is broad (7 points). Therefore, set the CLAR/VFO-B knob to the center of this broad range.
- ❑ Rotate the Main Dial knob to select the alignment parameter "02c."
- ❑ Rotate the CLAR/VFO-B knob so that the IF Bandwidth of the MAIN Band (VFO-A) is 2.40 kHz on the TFT (D version) or the LCD display.
- ❑ In the D and MP versions, rotate the Main Dial knob to select the alignment parameter "02d."
- ❑ Rotate the CLAR/VFO-B knob so that the IF Bandwidth of the SUB Band (VFO-B) is 2.40 kHz on the TFT display.
- ❑ Press and hold in the [MNU] key for 2 seconds to exit from the alignment mode.

## *VDD Meter Adjustment*

- ❑ On the D/Contest versions, connect the DC voltmeter to J7506 on the PA-B Unit. On the MP version, connect the DC voltmeter to J4007 or J4008 on the PA-A Unit.
- ❑ Press and hold in the [ANT1], [ANT3], and [RX ANT] keys, while turning the radio on, to enter the alignment mode.
- ❑ Rotate the Main Dial knob to select the alignment parameter "03."
- ❑ Rotate the CLAR/VFO-B knob so that VDD meter (Sub S-meter) reading is same as that on the DC voltmeter.
- ❑ On the Contest/MP versions, rotate the NOTCH knob so that VDD/BIAS meter reading is same as that on the DC voltmeter, then press the [ENT] key to save the new setting.
- ❑ Press and hold in the [MNU] key for 2 seconds to exit from the alignment mode.

## *OXCO Adjustment*

**Important Note:** (1) Do not adjust the OXCO Unit unless you have a high-performance frequency counter. (2) Perform the adjustment after aging the transceiver and frequency counter sufficiently (at least 30 minutes).

- ❑ Connect the frequency counter to J3502 on the REF Unit.
- ❑ Adjust VR3501 on the REF Unit for 10.000000 MHz ( $\pm 0.1$  Hz) on the Frequency counter.
- ❑ Verify the alignment by receiving a standard time station like WWV or JJY (5.000/10.000/15.000 MHz, etc.); listen 500 Hz low on USB, and 500 Hz high on LSB, to be sure the tones associated with the carrier are precisely the same.

## 2nd Local Oscillator Adjustment

- ❑ Disconnect the coaxial cable (D/MP version) or dummy plug (Contest version) from J3007 on the LOCAL Unit, then connect the RF millivoltmeter to J3007.
- ❑ Confirm that the RF millivoltmeter reading is more than  $-3$  dBm.
- ❑ Adjust T3006 and T3008 on the LOCAL Unit for maximum deflection on the RF millivoltmeter.
- ❑ Re-connect the coaxial cable or dummy plug to J3007.
- ❑ Disconnect the coaxial cable from J3005 on the LOCAL Unit, then connect the RF millivoltmeter to J3005.
- ❑ Confirm that the RF millivoltmeter reading is more than  $-3$  dBm.
- ❑ Re-connect the coaxial cable to J3005.

## VCV Voltage Adjustment

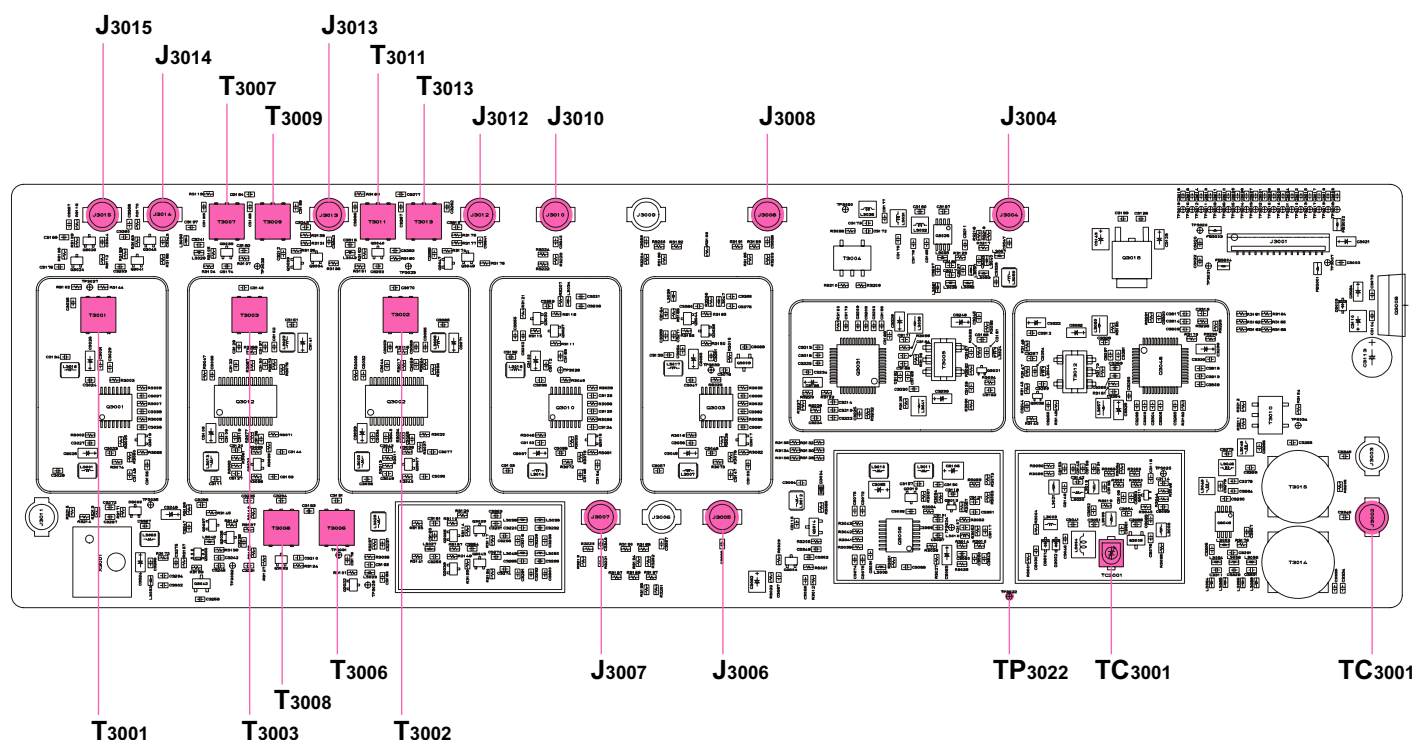
- ❑ Connect the DC voltmeter (Hi-Impedance) to TP3022 on the LOCAL Unit.
- ❑ Adjust TC3001 on the LOCAL Unit for  $2.0$  V ( $\pm 0.1$  V) on the DC voltmeter.

## Scope 2nd Local Oscillator (MAIN) Adjustment

- ❑ Press and hold in the [ANT1], [ANT3], and [RX ANT] keys, while turning the radio on, to enter the alignment mode.
- ❑ Rotate the Main Dial knob to select the alignment parameter "A43."
- ❑ Disconnect the coaxial cable from J3012 on the LOCAL Unit, then connect the RF millivoltmeter to J3012.
- ❑ Adjust T3002, T3011, and T3013 on the LOCAL Unit for maximum deflection on the RF millivoltmeter (more than  $-13$  dBm).
- ❑ Re-connect the coaxial cable to J3012.

## Scope 2nd Local Oscillator (SUB) Adjustment

- ❑ Rotate the Main Dial knob to select the alignment parameter "B43 (D/MP versions)" or "A43 (Contest version)."
- ❑ Disconnect the coaxial cable from J3013 on the LOCAL Unit, then connect the RF millivoltmeter to J3013.
- ❑ Adjust T3003, T3007, and T3009 on the LOCAL Unit for maximum deflection on the RF millivoltmeter (more than  $-13$  dBm).
- ❑ Re-connect the coaxial cable to J3013.



**LOCAL UNIT ALIGNMENT POINTS**

# Alignment

## Scope 3rd Local Oscillator (SUB) Adjustment

- ❑ Rotate the Main Dial knob to select the alignment parameter "A43."
- ❑ Disconnect the coaxial cable from J3015 on the LOCAL Unit, then connect the RF millivoltmeter to J3015.
- ❑ Adjust T3001 on the LOCAL Unit for maximum deflection on the RF millivoltmeter (more than -13 dBm).
- ❑ Re-connect the coaxial cable to J3015.

## Scope 3rd Local Oscillator (MAIN) Confirmation

- ❑ Disconnect the coaxial cable (D/MP version) or dummy plug (Contest version) from J3014 on the LOCAL Unit, then connect the RF millivoltmeter to J3014.
- ❑ Confirm that the RF millivoltmeter reading is more than -13 dBm.
- ❑ Re-connect the coaxial cable or dummy plug to J3007.
- ❑ Press and hold in the [MNU] key for 2 seconds to exit from the alignment mode.

## 1st Local Oscillator (MAIN) Confirmation

- ❑ Set the MAIN band (VFO-A) frequency to 52.500 MHz.
- ❑ Disconnect the coaxial cable from J3002 on the LOCAL Unit, then connect the RF millivoltmeter to J3002.
- ❑ Confirm that the RF millivoltmeter reading is more than +3 dBm.
- ❑ Re-connect the coaxial cable to J3002.

## 1st Local Oscillator (SUB) Confirmation

- ❑ Set the SUB band (VFO-B) frequency to 52.500 MHz.
- ❑ Press and hold in the [ANT1], [ANT3], and [RX ANT] keys, while turning the radio on, to enter the alignment mode.
- ❑ Rotate the Main Dial knob to select the alignment parameter "A43."
- ❑ Disconnect the coaxial cable (D/MP version) or dummy plug (Contest version) from J3004 on the LOCAL Unit, then connect the RF millivoltmeter to J3004.
- ❑ Confirm that the RF millivoltmeter reading is more than +3 dBm.
- ❑ Re-connect the coaxial cable or dummy plug to J3004.
- ❑ Press and hold in the [MNU] key for 2 seconds to exit from the alignment mode.

## 3rd Local Oscillator (MAIN) Confirmation

- ❑ Disconnect the coaxial cable from J3008 on the LOCAL Unit, then connect the RF millivoltmeter to J3008.
- ❑ Confirm that the RF millivoltmeter reading is more than -20 dBm.
- ❑ Re-connect the coaxial cable to J3008.

## 3rd Local Oscillator (SUB) Confirmation

- ❑ Press and hold in the [ANT1], [ANT3], and [RX ANT] keys, while turning the radio on, to enter the alignment mode.
- ❑ Rotate the Main Dial knob to select the alignment parameter "A43."
- ❑ Disconnect the coaxial cable (D/MP version) or dummy plug (Contest version) from J3010 on the LOCAL Unit, then connect the RF millivoltmeter to J3010.
- ❑ Confirm that the RF millivoltmeter reading is more than -20 dBm.
- ❑ Re-connect the coaxial cable or dummy plug to J3010.
- ❑ Press and hold in the [MNU] key for 2 seconds to exit from the alignment mode.

## RX-1 Unit Adjustment-1

### 1st Local Level Adjustment

- ❑ Connect the RF millivoltmeter to TP1001 on the RX-1 Unit.
- ❑ Set the MAIN band (VFO-A) frequency to 14.200 MHz.
- ❑ Adjust VR1006 on the RX-1 Unit for 1.8 Vrms ( $\pm 0.1$  Vrms) on the RF millivoltmeter.
- ❑ Set the MAIN band (VFO-A) frequency to 51.200 MHz.
- ❑ Adjust VR1007 on the RX-1 Unit for 0.6 Vrms ( $\pm 0.1$  Vrms) on the RF millivoltmeter.

### 2nd Local Level Adjustment

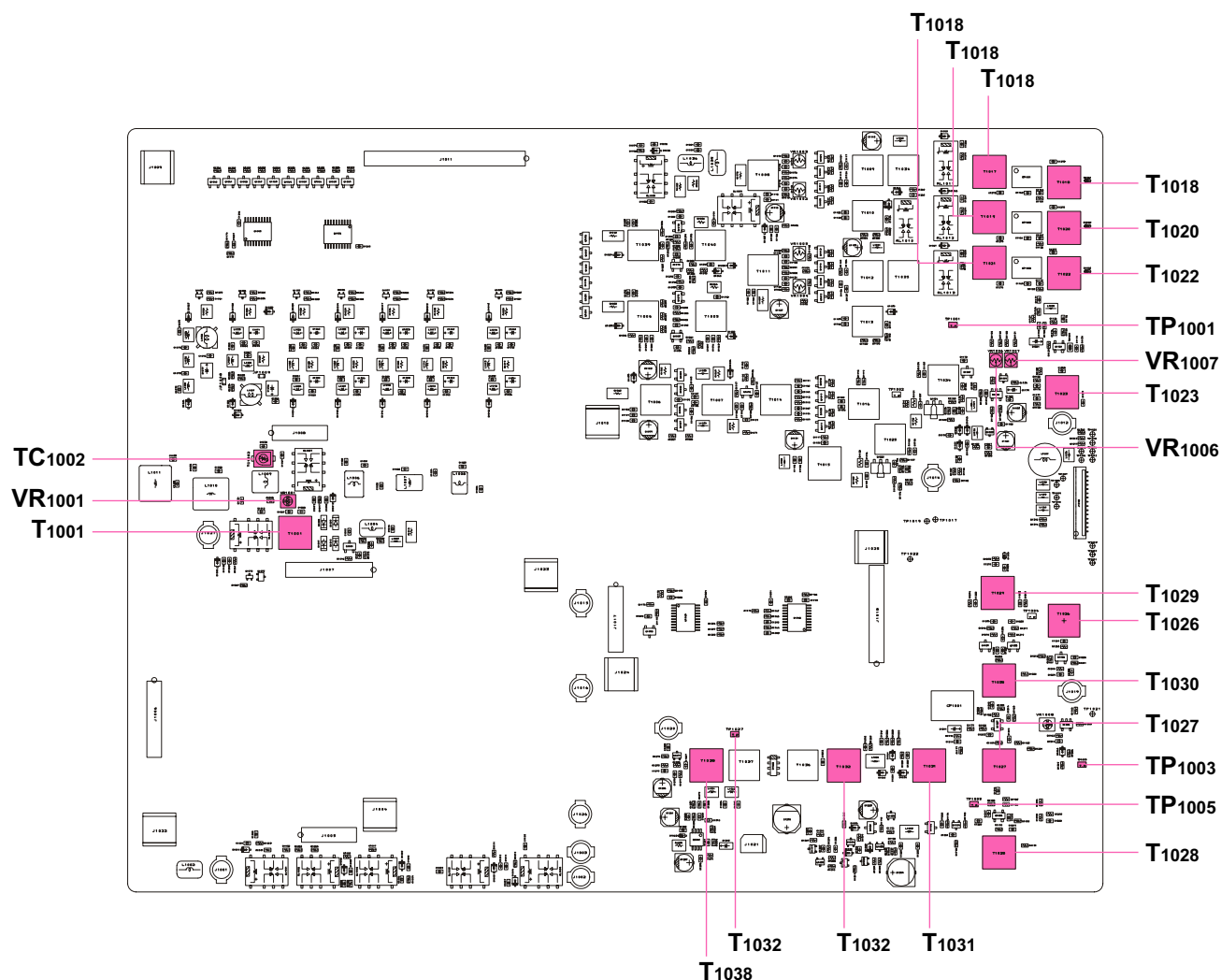
- ❑ Connect the RF millivoltmeter to TP1004 on the RX-1 Unit.
- ❑ Adjust T1026 on the RX-1 Unit for maximum deflection on the RF millivoltmeter.

### 3rd Local Level Adjustment

- ❑ Connect the RF millivoltmeter to TP1027 on the RX-1 Unit.
- ❑ Adjust T1038 on the RX-1 Unit for maximum deflection on the RF millivoltmeter.

### RF Transformer Adjustment

- ❑ Connect the RF Signal Generator to the "ANT 1" Jack, then set the output level to +30 dB $\mu$  at 14.200 MHz.
- ❑ Set the MAIN Band (VFO-A) frequency to 14.200 MHz in the CW mode.
- ❑ Adjust T1023, T1029, T1030, T1031, and T1032 on the RX-1 Unit in succession several times for maximum deflection on the Main S-meter.



**RX-1 UNIT ALIGNMENT POINTS**

# Alignment

## *MCF Adjustment*

- ❑ Connect the RF Signal Generator to the “ANT 1” Jack, then set the output level to +30 dB $\mu$  at 14.200 MHz.
- ❑ Set the MAIN Band (VFO-A) frequency to 14.200 MHz in the CW mode.
- ❑ Set the MAIN Band’s Roofing Filter bandwidth to “15 kHz.”
- ❑ Adjust T1017 and T1018 on the RX-1 Unit for maximum deflection on the Main S-meter.
- ❑ Set the MAIN Band’s Roofing Filter bandwidth to “6 kHz.”
- ❑ Adjust T1019 and T1020 on the RX-1 Unit for maximum deflection on the Main S-meter.
- ❑ Set the MAIN Band’s Roofing Filter bandwidth to “3 kHz.”
- ❑ Adjust T1021 and T1022 on the RX-1 Unit for maximum deflection on the Main S-meter.
- ❑ Set the RF Signal Generator output level to 0 dB $\mu$  at 52.500 MHz (with  $\pm 3.5$  kHz deviation @1 kHz).
- ❑ Set the MAIN Band (VFO-A) frequency to 52.500 MHz in the FM mode.
- ❑ Set the MAIN Band’s Roofing Filter bandwidth to “AUTO.”
- ❑ Adjust T1017 and T1018 on the RX-1 Unit for maximum SINAD.

## *NB Circuit Adjustment*

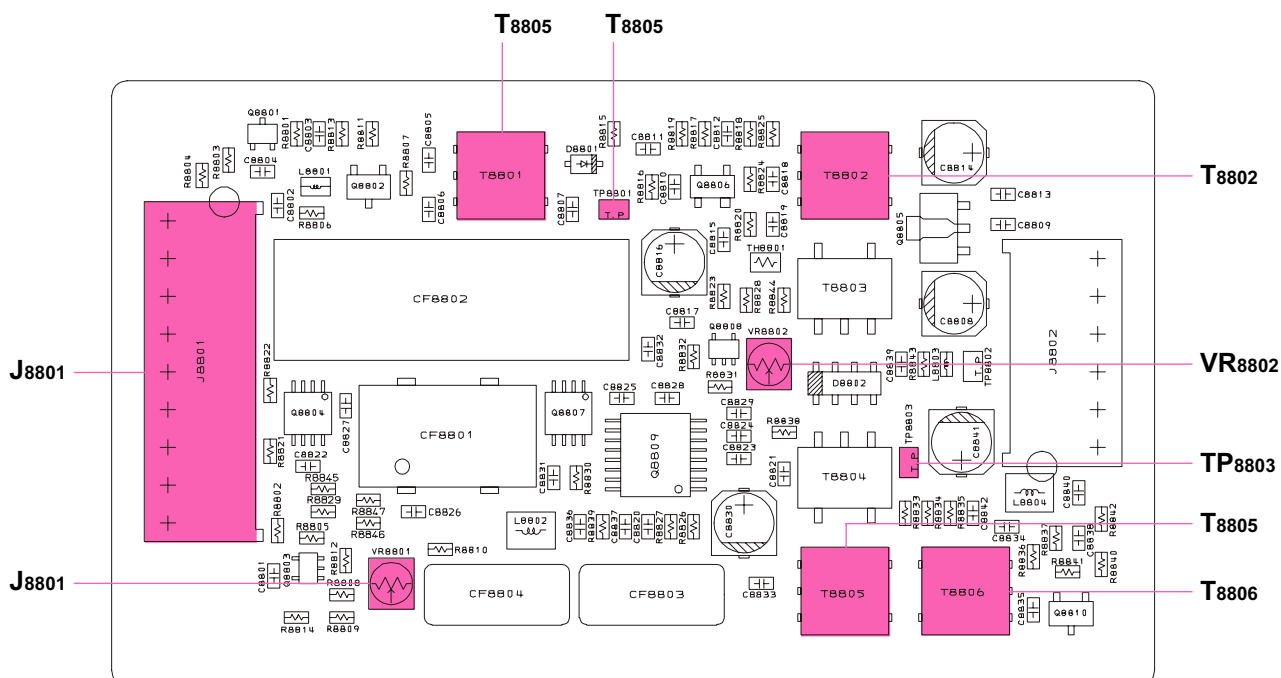
- ❑ Connect the RF Signal Generator to the “ANT 1” Jack, then set the output level to +30 dB $\mu$  at 14.200 MHz.
- ❑ Set the MAIN Band (VFO-A) frequency to 14.200 MHz in the CW mode.
- ❑ Turn on the MAIN band (VFO-A) NB switch, then set the MAIN band (VFO-A) NB knob to the 12-o’clock position.
- ❑ Connect the RF millivoltmeter to TP1005 on the RX-1 Unit.
- ❑ Adjust T1027 and T1028 on the RX-1 Unit for minimum deflection on the RF millivoltmeter.
- ❑ Turn the MAIN band (VFO-A) NB switch off.

## *IF Trap Adjustment*

- ❑ Connect the RF Signal Generator to the “ANT 1” Jack, then set the output level to +90 dB $\mu$  at 40.455 MHz.
- ❑ Set the MAIN Band (VFO-A) frequency to 28.700 MHz in the CW-U mode.
- ❑ Adjust TC1002 on the RX-1 Unit for minimum deflection on the Main S-meter.
- ❑ Set the MAIN Band (VFO-A) frequency to 51.500 MHz in the CW-U mode.
- ❑ Adjust T1001 and VR1001 on the RX-1 Unit in succession several times for minimum deflection on the Main S-meter.

## SCP-1 Unit Adjustment

- ❑ Set the MAIN Band (VFO-A) frequency to 14.200 MHz in the AM mode.
- ❑ Press and hold in the [ANT1], [ANT3], and [RX ANT] keys, while turning the radio on, to enter the alignment mode.
- ❑ Rotate the Main Dial knob to select the alignment parameter “A43.”
- ❑ Connect the RF millivoltmeter to TP8803 on the SCP-1 Unit.
- ❑ Adjust T8806 on the SCP-1 Unit for maximum deflection on the RF millivoltmeter.
- ❑ Connect the DC voltmeter to pin 2 of J8801 on the SCP-1 Unit.
- ❑ Connect the RF Signal Generator to the “ANT 1” Jack, then set the output level to +40 dBμ at 14.200 MHz.
- ❑ Adjust T8801, T8802, and T8805 on the SCP-1 Unit for maximum deflection on the RF millivoltmeter.
- ❑ Connect the DC voltmeter to TP8801 on the SCP-1 Unit.
- ❑ Adjust VR8802 on the SCP-1 Unit for 3.5 Vrms (±0.05 Vrms) on the DC voltmeter.
- ❑ Increase the RF Signal Generator output level to +100 dBμ.
- ❑ Rotate the CLAR/VFO-B knob so that the VFO-B frequency display is displayed as “255.”
- ❑ Connect the DC voltmeter to pin 2 of J8801 on the SCP-1 Unit.
- ❑ Adjust VR8801 on the SCP-1 Unit for 3.2 Vrms (±0.05 Vrms) on the DC voltmeter.
- ❑ Reduce the RF Signal Generator output level to +70 dBμ, then note the DC voltmeter reading.
- ❑ Rotate the Main Dial knob to select the alignment parameter “A44,” then increase the RF Signal Generator output level to +80 dBμ. Rotate the CLAR/VFO-B knob so that the DC voltmeter reading is same as that noted in the previous step.
- ❑ Rotate the Main Dial knob to select the alignment parameter “A45,” then increase the RF Signal Generator output level to +90 dBμ. Rotate the CLAR/VFO-B knob so that the DC voltmeter reading is same as that noted two steps prior to this one.
- ❑ Press and hold in the [MNU] key for 2 seconds to exit from the alignment mode.



**SCP-1 UNIT ALIGNMENT POINTS**

# Alignment

## RX-1 Unit Adjustment-2

### RF AGC Adjustment

- ❑ Referring to table at the right, tune the MAIN Band (VFO-A) frequency to each frequency listed.
- ❑ Connect the DC voltmeter to TP1003 on the RX-1 Unit.
- ❑ Connect the RF Signal Generator to the “ANT 1” Jack, then set the output level to +96 dB $\mu$  at 1.900 MHz.
- ❑ Set the MAIN Band (VFO-A) frequency to 1.900 MHz in the CW-U mode.
- ❑ Press and hold in the [ANT1], [ANT3], and [RX ANT] keys, while turning the radio on, to enter the alignment mode.
- ❑ Select the appropriate “Alignment Parameter” using the Main Dial knob per the chart below, and adjust the CLAR/VFO-B knob for the corresponding DC voltmeter reading at each frequency.

1.8 MHz Band	1.900 MHz
3.5 MHz Band	3.750 MHz
7 MHz Band	7.150 MHz
10 MHz Band	10.125 MHz
14 MHz Band	14.175 MHz
18 MHz Band	18.117 MHz
21 MHz Band	21.225 MHz
24.5 MHz Band	24.940 MHz
28 MHz Band	28.850 MHz
50 MHz Band	52.000 MHz

ALIGNMENT PARAMETER	RF SIGNAL GENERATOR	DC VOLTMETER
A01	1.900 MHz, +96 dB $\mu$	1.8 V ( $\pm$ 0.1 V)
A02	3.750 MHz, +96 dB $\mu$	1.8 V ( $\pm$ 0.1 V)
A03	7.150 MHz, +96 dB $\mu$	1.8 V ( $\pm$ 0.1 V)
A04	10.125 MHz, +96 dB $\mu$	1.8 V ( $\pm$ 0.1 V)
A05	14.175 MHz, +96 dB $\mu$	1.8 V ( $\pm$ 0.1 V)
A06	18.117 MHz, +96 dB $\mu$	1.8 V ( $\pm$ 0.1 V)
A07	21.225 MHz, +96 dB $\mu$	1.8 V ( $\pm$ 0.1 V)
A08	24.940 MHz, +96 dB $\mu$	1.8 V ( $\pm$ 0.1 V)
A09	28.850 MHz, +96 dB $\mu$	1.8 V ( $\pm$ 0.1 V)
A10	52.000 MHz, +96 dB $\mu$	1.8 V ( $\pm$ 0.1 V)

- ❑ Press and hold in the [MNU] key for 2 seconds to exit from the alignment mode.

### IF GAIN Adjustment

- ❑ Referring to table at the right, tune the MAIN Band (VFO-A) to each frequency listed.
- ❑ Connect the AF millivoltmeter and 4 Ohm dummy load to the EXT SPKR 1 Jack, and set the MAIN Band (VFO-A) RF GAIN knob to the fully clockwise position.
- ❑ Connect the RF Signal Generator to the “ANT 1” Jack, then set the output level to +36 dB $\mu$  at 1.900 MHz.
- ❑ Set the MAIN Band (VFO-A) frequency to 1.900 MHz in the CW-U mode.
- ❑ Rotate the MAIN Band (VFO-A) AF GAIN knob to preset a reading of “0 dB” on the AF millivoltmeter.
- ❑ Press and hold in the [ANT1], [ANT3], and [RX ANT] keys, while turning the radio on, to enter the alignment mode.
- ❑ Select the appropriate “Alignment Menu” using the Main Dial knob per the chart below, and adjust the CLAR/VFO-B knob for the corresponding AF millivoltmeter reading at each frequency.

1.8 MHz Band	1.900 MHz
3.5 MHz Band	3.750 MHz
7 MHz Band	7.150 MHz
10 MHz Band	10.125 MHz
14 MHz Band	14.175 MHz
18 MHz Band	18.117 MHz
21 MHz Band	21.225 MHz
24.5 MHz Band	24.940 MHz
28 MHz Band	28.850 MHz
50 MHz Band	52.000 MHz

ALIGNMENT PARAMETER	RF SIGNAL GENERATOR	AF MILLIVOLTMETER
A21	1.900 MHz, +9 dB $\mu$	-1.5 dB ( $\pm$ 0.5 dB)
A22	3.750 MHz, +9 dB $\mu$	-1.5 dB ( $\pm$ 0.5 dB)
A23	7.150 MHz, +9 dB $\mu$	-1.5 dB ( $\pm$ 0.5 dB)
A24	10.125 MHz, +9 dB $\mu$	-1.5 dB ( $\pm$ 0.5 dB)
A25	14.175 MHz, +9 dB $\mu$	-1.5 dB ( $\pm$ 0.5 dB)
A26	18.117 MHz, +9 dB $\mu$	-1.5 dB ( $\pm$ 0.5 dB)
A27	21.225 MHz, +9 dB $\mu$	-1.5 dB ( $\pm$ 0.5 dB)
A28	24.940 MHz, +9 dB $\mu$	-1.5 dB ( $\pm$ 0.5 dB)
A29	28.850 MHz, +9 dB $\mu$	-1.5 dB ( $\pm$ 0.5 dB)
A30	52.000 MHz, +6 dB $\mu$	-1.5 dB ( $\pm$ 0.5 dB)

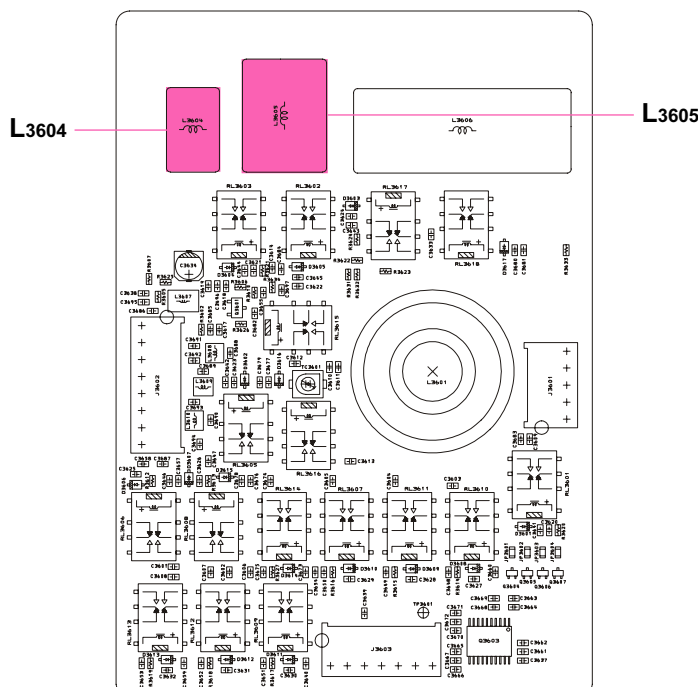
- ❑ Press and hold in the [MNU] key for 2 seconds to exit from the alignment mode.

## MAIN S-meter Adjustment

- ❑ Connect the RF Signal Generator to the “ANT 1” Jack, then set the output level to +12 dB $\mu$  at 14.200 MHz.
  - ❑ Set the MAIN Band (VFO-A) frequency to 14.200 MHz in the CW-U mode, and set the MAIN Band (VFO-A) RF GAIN knob to the fully clockwise position.
  - ❑ Press and hold in the [ANT1], [ANT3], and [RX ANT] keys, while turning the radio on, to enter the alignment mode.
  - ❑ Select the appropriate “Alignment Parameter” by the Main Dial knob in the chart below, then adjust the CLAR/VFO-B knob for the corresponding the Main S-meter deflection and press the [ENT] key to save the new setting at each frequencies.
- | ALIGNMENT PARAMETER | RF SIGNAL GENERATOR      | MAIN S-METER |
|---------------------|--------------------------|--------------|
| A31                 | 14.200 MHz, +12 dB $\mu$ | S-1          |
| A32                 | 14.200 MHz, +24 dB $\mu$ | S-5          |
| A33                 | 14.200 MHz, +30 dB $\mu$ | S-7          |
| A34                 | 14.200 MHz, +36 dB $\mu$ | S-9          |
| A35                 | 14.200 MHz, +46 dB $\mu$ | S-9 +10 dB   |
| A36                 | 14.200 MHz, +56 dB $\mu$ | S-9 +20 dB   |
| A37                 | 14.200 MHz, +66 dB $\mu$ | S-9 +30 dB   |
| A38                 | 14.200 MHz, +76 dB $\mu$ | S-9 +40 dB   |
| A39                 | 14.200 MHz, +86 dB $\mu$ | S-9 +50 dB   |
| A40                 | 14.200 MHz, +96 dB $\mu$ | S-9 +60 dB   |
- ❑ Press and hold in the [MNU] key for 2 seconds to exit from the alignment mode.

## VRF-1 Unit Adjustment

- ❑ Connect the RF Signal Generator to the “ANT 1” Jack, then set the output level to +0 dB $\mu$  at 53.500 MHz.
- ❑ Set the MAIN Band (VFO-A) frequency to 53.500 MHz in the CW-U mode, and set the MAIN Band (VFO-A) RF GAIN knob to the fully clockwise position.
- ❑ Turn on the MAIN band (VFO-A) VRF/ $\mu$  switch, then rotate the VRF/ $\mu$  knob clockwise one revolution.
- ❑ Adjust L3604 and L3605 for maximum deflection on the Main S-meter.
- ❑ Turn off the MAIN band (VFO-A) VRF/ $\mu$  switch.
- ❑ Set the MAIN Band (VFO-A) frequency to 50.500 MHz in the CW-U mode.
- ❑ Set the RF Signal Generator to 50.500 MHz, then set the output level to the position where the Main S-meter deflects to “S-6.”
- ❑ Turn on the MAIN band (VFO-A) VRF/ $\mu$  switch again, then rotate the MAIN band (VFO-A) VRF/ $\mu$  knob to the position where the S-meter reading peaks.
- ❑ Confirm that the Main S-meter reading is “S-5” or above.



**VRF-1 UNIT ALIGNMENT POINTS**



# Alignment

## RX-2 Unit Adjustment-1 (D/MP version)

### 1st Local Level Adjustment

- ❑ Connect the RF millivoltmeter to TP8001 on the RX-2 Unit.
- ❑ Set the SUB band (VFO-B) frequency to 14.200 MHz.
- ❑ Adjust VR8006 on the RX-2 Unit for 1.6 Vrms ( $\pm 0.1$  Vrms) on the RF millivoltmeter.
- ❑ Set the SUB band (VFO-B) frequency to 51.200 MHz.
- ❑ Adjust VR8007 on the RX-2 Unit for 0.6 Vrms ( $\pm 0.1$  Vrms) on the RF millivoltmeter.

### 2nd Local Level Adjustment

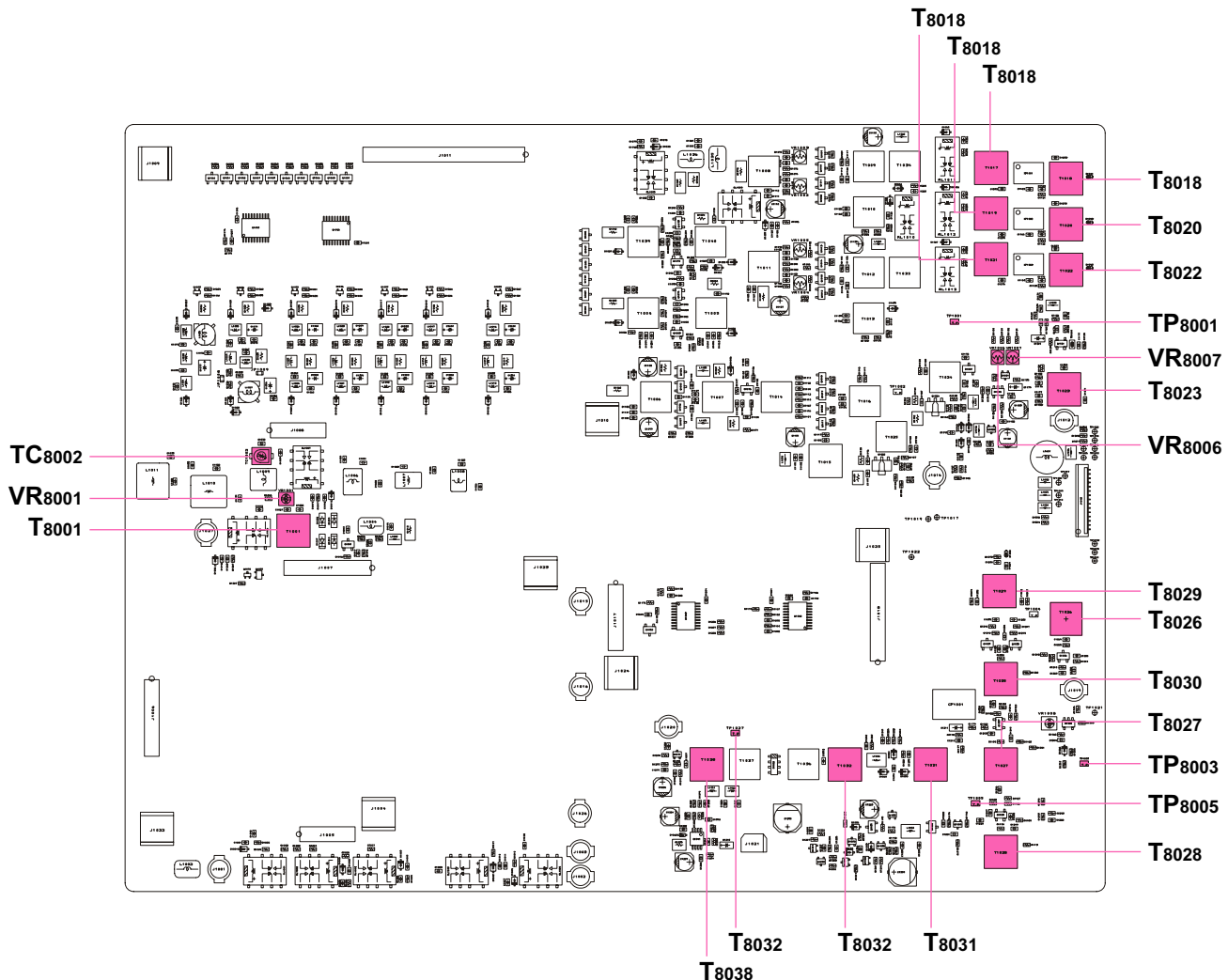
- ❑ Connect the RF millivoltmeter to TP8004 on the RX-2 Unit.
- ❑ Adjust T8026 on the RX-2 Unit for maximum deflection on the RF millivoltmeter.

### 3rd Local Level Adjustment

- ❑ Connect the RF millivoltmeter to TP8027 on the RX-2 Unit.
- ❑ Adjust T8038 on the RX-2 Unit for maximum deflection on the RF millivoltmeter.

### RF Transformer Adjustment

- ❑ Connect the RF Signal Generator to the "ANT 1" Jack, then set the output level to  $+30$  dB $\mu$  at 14.200 MHz.
- ❑ Set the SUB Band (VFO-B) frequency to 14.200 MHz in the CW mode.
- ❑ Adjust T8023, T8029, T8030, T8031, and T8032 on the RX-2 Unit in succession several times for maximum deflection on the Sub S-meter.



**RX-2 UNIT ALIGNMENT POINTS**

# Alignment

## *MCF Adjustment*

- ❑ Connect the RF Signal Generator to the “ANT 1” Jack, then set the output level to +30 dB $\mu$  at 14.200 MHz.
- ❑ Set the SUB Band (VFO-B) frequency to 14.200 MHz in the CW mode.
- ❑ Set the SUB Band’s Roofing Filter bandwidth to “15 kHz.”
- ❑ Adjust T8017 and T8018 on the RX-2 Unit for maximum deflection on the Sub S-meter.
- ❑ Set the SUB Band’s Roofing Filter bandwidth to “6 kHz.”
- ❑ Adjust T8019 and T8020 on the RX-2 Unit for maximum deflection on the Sub S-meter.
- ❑ Set the SUB Band’s Roofing Filter bandwidth to “3 kHz.”
- ❑ Adjust T8021 and T8022 on the RX-2 Unit for maximum deflection on the Sub S-meter.
- ❑ Set the RF Signal Generator output level to 0 dB $\mu$  at 52.500 MHz (with  $\pm 3.5$  kHz deviation @1 kHz).
- ❑ Set the SUB Band (VFO-B) frequency to 52.500 MHz in the FM mode.
- ❑ Set the SUB Band’s Roofing Filter bandwidth to “AUTO.”
- ❑ Adjust T8017 and T8018 on the RX-2 Unit for maximum SINAD.

## *NB Circuit Adjustment*

- ❑ Connect the RF Signal Generator to the “ANT 1” Jack, then set the output level to +30 dB $\mu$  at 14.200 MHz.
- ❑ Set the SUB Band (VFO-B) frequency to 14.200 MHz in the CW mode.
- ❑ Turn on the SUB Band (VFO-B) NB switch, then set the SUB Band (VFO-B) NB knob to 12-o’clock position.
- ❑ Connect the RF millivoltmeter to TP8005 on the RX-2 Unit.
- ❑ Adjust T8027 and T8028 on the RX-2 Unit for minimum deflection on the RF millivoltmeter.
- ❑ Turn off the SUB Band (VFO-B) NB switch.

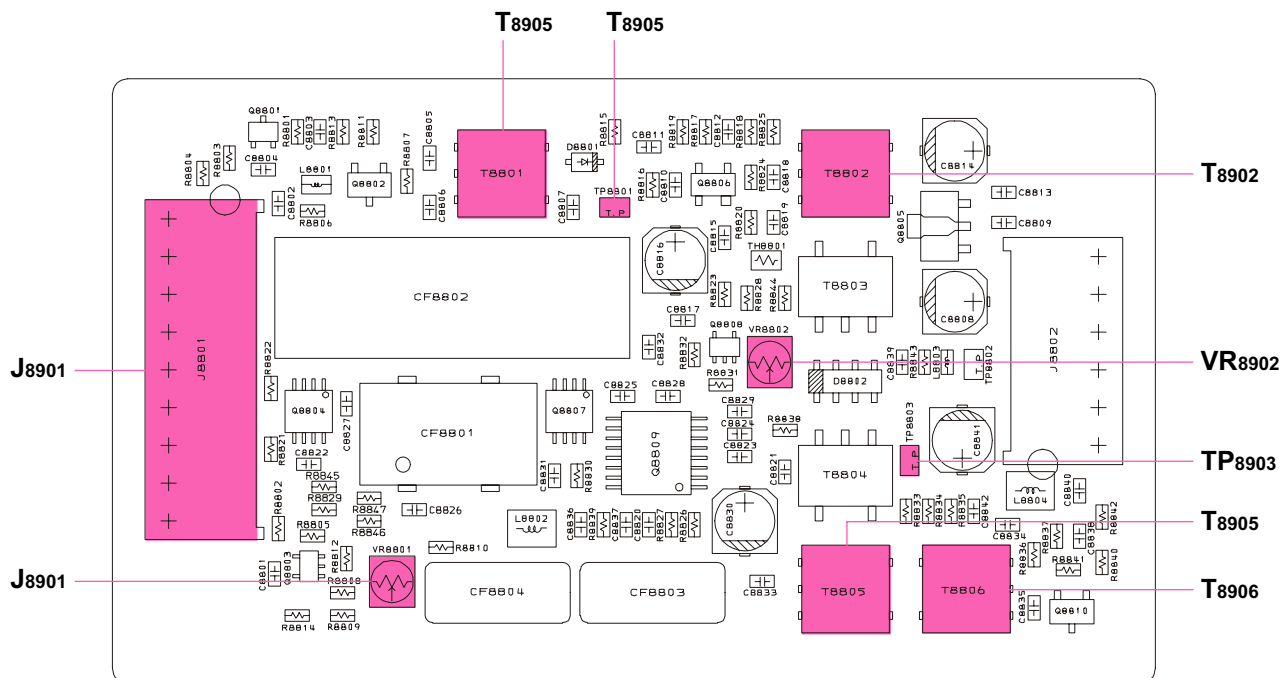
## *IF Trap Adjustment*

- ❑ Connect the RF Signal Generator to the “ANT 1” Jack, then set the output level to +90 dB $\mu$  at 40.450 MHz.
- ❑ Set the SUB Band (VFO-B) frequency to 28.700 MHz in the CW-U mode.
- ❑ Adjust TC8002 on the RX-2 Unit for minimum deflection on the Sub S-meter.
- ❑ Set the SUB Band (VFO-B) frequency to 51.500 MHz in the CW-U mode.
- ❑ Adjust T8001 and VR8001 on the RX-2 Unit in succession several times for minimum deflection on the Sub S-meter.

# Alignment

## SCP-2 Unit Adjustment (D/MP version)

- ❑ Set the SUB Band (VFO-B) frequency to 14.200 MHz in the AM mode.
- ❑ Press and hold in the [ANT1], [ANT3], and [RX ANT] keys, while turning the radio on, to enter the alignment mode.
- ❑ Rotate the Main Dial knob to select the alignment parameter “B43.”
- ❑ Connect the RF millivoltmeter to TP8903 on the SCP-2 Unit.
- ❑ Adjust T8906 on the SCP-2 Unit for maximum deflection on the RF millivoltmeter.
- ❑ Connect the DC voltmeter to pin 2 of J8901 on the SCP-2 Unit.
- ❑ Connect the RF Signal Generator to the “ANT 1” Jack, then set the output level to +40 dB $\mu$  at 14.200 MHz.
- ❑ Adjust T8901, T8902, and T8905 on the SCP-2 Unit for maximum deflection on the RF millivoltmeter.
- ❑ Connect the DC voltmeter to TP8901 on the SCP-2 Unit.
- ❑ Adjust VR8902 on the SCP-2 Unit for 3.5 Vrms ( $\pm 0.05$  Vrms) on the DC voltmeter.
- ❑ Increase the RF Signal Generator output level to +100 dB $\mu$ .
- ❑ Rotate the CLAR/VFO-B knob so that the VFO-B frequency display is displayed as “255.”
- ❑ Connect the DC voltmeter to pin 2 of J8901 on the SCP-2 Unit.
- ❑ Adjust VR8901 on the SCP-2 Unit for 3.2 Vrms ( $\pm 0.05$  Vrms) on the DC voltmeter.
- ❑ Reduce the RF Signal Generator output level to +70 dB $\mu$ , then note the DC voltmeter reading.
- ❑ Rotate the Main Dial knob to select the alignment parameter “B44,” then increase the RF Signal Generator output level to +80 dB $\mu$ . Rotate the CLAR/VFO-B knob so that the DC voltmeter reading is same as that noted in the above step.
- ❑ Rotate the Main Dial knob to select the alignment parameter “B45,” then increase the RF Signal Generator output level to +90 dB $\mu$ . Rotate the CLAR/VFO-B knob so that the DC voltmeter reading is same as that noted two steps prior to this one.
- ❑ Press and hold in the [MNU] key for 2 seconds to exit from the alignment mode.



**SCP-2 UNIT ALIGNMENT POINTS**

## RX-2 Unit Adjustment-2 (D/MP version)

### RF AGC Adjustment

- ❑ Referring to table at the right, tune the SUB Band (VFO-B) frequency to each frequency listed.
- ❑ Connect the DC voltmeter to TP8003 on the RX-2 Unit.
- ❑ Connect the RF Signal Generator to the “ANT 1” Jack, then set the output level to +96 dB $\mu$  at 1.900 MHz.
- ❑ Set the SUB Band (VFO-B) frequency to 1.900 MHz in the CW-U mode.
- ❑ Press and hold in the [ANT1], [ANT3], and [RX ANT] keys, while turning the radio on, to enter the alignment mode.
- ❑ Select the appropriate “Alignment Parameter” using the Main Dial knob per the chart below, and adjust the CLAR/VFO-B knob for the corresponding DC voltmeter reading at each frequency.

1.8 MHz Band	1.900 MHz
3.5 MHz Band	3.750 MHz
7 MHz Band	7.150 MHz
10 MHz Band	10.125 MHz
14 MHz Band	14.175 MHz
18 MHz Band	18.117 MHz
21 MHz Band	21.225 MHz
24.5 MHz Band	24.940 MHz
28 MHz Band	28.850 MHz
50 MHz Band	52.000 MHz

ALIGNMENT PARAMETER	RF SIGNAL GENERATOR	DC VOLTMETER
B01	1.900 MHz, +96 dB $\mu$	1.8 V ( $\pm$ 0.1 V)
B02	3.750 MHz, +96 dB $\mu$	1.8 V ( $\pm$ 0.1 V)
B03	7.150 MHz, +96 dB $\mu$	1.8 V ( $\pm$ 0.1 V)
B04	10.125 MHz, +96 dB $\mu$	1.8 V ( $\pm$ 0.1 V)
B05	14.175 MHz, +96 dB $\mu$	1.8 V ( $\pm$ 0.1 V)
B06	18.117 MHz, +96 dB $\mu$	1.8 V ( $\pm$ 0.1 V)
B07	21.225 MHz, +96 dB $\mu$	1.8 V ( $\pm$ 0.1 V)
B08	24.940 MHz, +96 dB $\mu$	1.8 V ( $\pm$ 0.1 V)
B09	28.850 MHz, +96 dB $\mu$	1.8 V ( $\pm$ 0.1 V)
B10	52.000 MHz, +96 dB $\mu$	1.8 V ( $\pm$ 0.1 V)

- ❑ Press and hold in the [MNU] key for 2 seconds to exit from the alignment mode.

### IF GAIN Adjustment

- ❑ Referring to table at the right, tune the SUB Band (VFO-B) frequency to each frequency listed.
- ❑ Connect the AF millivoltmeter and 4 Ohm dummy load to the EXT SPKR 1 Jack, and set the SUB Band (VFO-B) RF GAIN knob to the fully clockwise position.
- ❑ Connect the RF Signal Generator to the “ANT 1” Jack, then set the output level to +36 dB $\mu$  at 1.900 MHz.
- ❑ Set the SUB Band (VFO-B) frequency to 1.900 MHz in the CW-U mode.
- ❑ Rotate the SUB Band (VFO-B) AF GAIN knob for 0 dB on the AF millivoltmeter.
- ❑ Press and hold in the [ANT1], [ANT3], and [RX ANT] keys, while turning the radio on, to enter the alignment mode.
- ❑ Select the appropriate “Alignment Parameter” using the Main Dial knob per the chart below, and adjust the CLAR/VFO-B knob for the corresponding AF millivoltmeter reading at each frequency.

1.8 MHz Band	1.900 MHz
3.5 MHz Band	3.750 MHz
7 MHz Band	7.150 MHz
10 MHz Band	10.125 MHz
14 MHz Band	14.175 MHz
18 MHz Band	18.117 MHz
21 MHz Band	21.225 MHz
24.5 MHz Band	24.940 MHz
28 MHz Band	28.850 MHz
50 MHz Band	52.000 MHz

ALIGNMENT PARAMETER	RF SIGNAL GENERATOR	AF MILLIVOLTMETER
B21	1.900 MHz, +9 dB $\mu$	-1.5 dB ( $\pm$ 0.5 dB)
B22	3.750 MHz, +9 dB $\mu$	-1.5 dB ( $\pm$ 0.5 dB)
B23	7.150 MHz, +9 dB $\mu$	-1.5 dB ( $\pm$ 0.5 dB)
B24	10.125 MHz, +9 dB $\mu$	-1.5 dB ( $\pm$ 0.5 dB)
B25	14.175 MHz, +9 dB $\mu$	-1.5 dB ( $\pm$ 0.5 dB)
B26	18.117 MHz, +9 dB $\mu$	-1.5 dB ( $\pm$ 0.5 dB)
B27	21.225 MHz, +9 dB $\mu$	-1.5 dB ( $\pm$ 0.5 dB)
B28	24.940 MHz, +9 dB $\mu$	-1.5 dB ( $\pm$ 0.5 dB)
B29	28.850 MHz, +9 dB $\mu$	-1.5 dB ( $\pm$ 0.5 dB)
B30	52.000 MHz, +6 dB $\mu$	-1.5 dB ( $\pm$ 0.5 dB)

- ❑ Press and hold in the [MNU] key for 2 seconds to exit from the alignment mode.

# Alignment

## SUB S-meter Adjustment

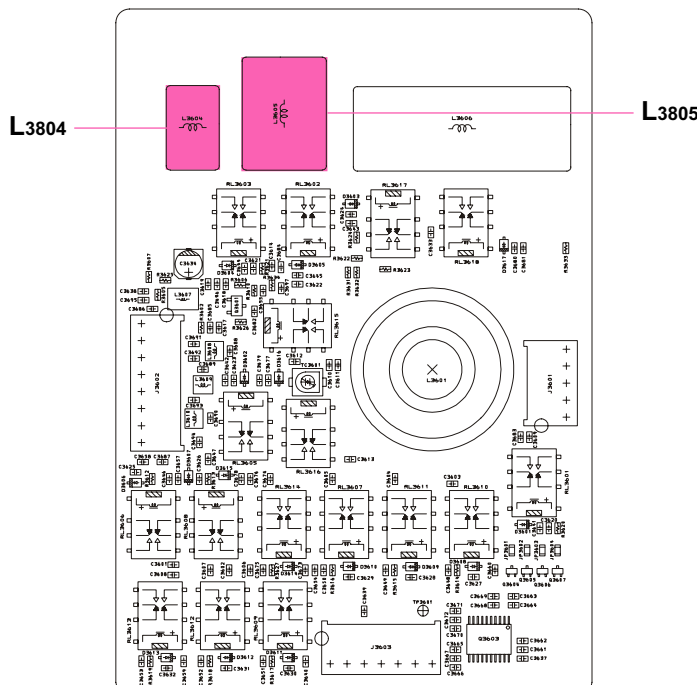
- ❑ Connect the RF Signal Generator to the “ANT 1” Jack, then set the output level to +12 dB $\mu$  at 14.200 MHz.
- ❑ Set the SUB Band (VFO-B) frequency to 14.200 MHz in the CW-U mode, and set the SUB Band (VFO-B) RF GAIN knob to the fully clockwise position.
- ❑ Press and hold in the [ANT1], [ANT3], and [RX ANT] keys, while turning the radio on, to enter the alignment mode.
- ❑ Select the appropriate “Alignment Parameter” using the Main Dial knob per the chart below, then adjust the CLAR/VFO-B knob for the corresponding the Sub S-meter deflection and press the [ENT] key to save the new setting at each frequency.

ALIGNMENT PARAMETER	RF SIGNAL GENERATOR	MAIN S-METER
B31	14.200 MHz, +12 dB $\mu$	S-1
B32	14.200 MHz, +24 dB $\mu$	S-5
B33	14.200 MHz, +30 dB $\mu$	S-7
B34	14.200 MHz, +36 dB $\mu$	S-9
B35	14.200 MHz, +46 dB $\mu$	S-9 +10 dB
B36	14.200 MHz, +56 dB $\mu$	S-9 +20 dB
B37	14.200 MHz, +66 dB $\mu$	S-9 +30 dB
B38	14.200 MHz, +76 dB $\mu$	S-9 +40 dB
B39	14.200 MHz, +86 dB $\mu$	S-9 +50 dB
B40	14.200 MHz, +96 dB $\mu$	S-9 +60 dB

- ❑ Press and hold in the [MNU] key for 2 seconds to exit from the alignment mode.

## VRF-2 Unit Adjustment (D/MP version)

- ❑ Connect the RF Signal Generator to the “ANT 1” Jack, then set the output level to +0 dB $\mu$  at 53.500 MHz.
- ❑ Set the SUB Band (VFO-B) frequency to 53.500 MHz in the CW-U mode, and set the SUB Band (VFO-B) RF GAIN knob to the fully clockwise position.
- ❑ Turn on the SUB Band (VFO-B) VRF/ $\mu$  switch, then rotate the SUB Band (VFO-B) VRF/ $\mu$  knob clockwise one revolution.
- ❑ Adjust L3804 and L3805 for maximum deflection on the Sub S-meter.
- ❑ Turn off the SUB Band (VFO-B) VRF/ $\mu$  switch.
- ❑ Set the SUB Band (VFO-B) frequency to 50.500 MHz in the CW-U mode.
- ❑ Set the RF Signal Generator to 50.500 MHz, then set the output level to the position where the Sub S-meter deflects to “S-6.”
- ❑ Turn on the SUB Band (VFO-B) VRF/ $\mu$  switch again, then rotate the SUB Band (VFO-B) VRF/ $\mu$  knob to the position corresponding to a peak on the Sub S-meter.
- ❑ Confirm that the Sub S-meter reading is “S-5” or above.

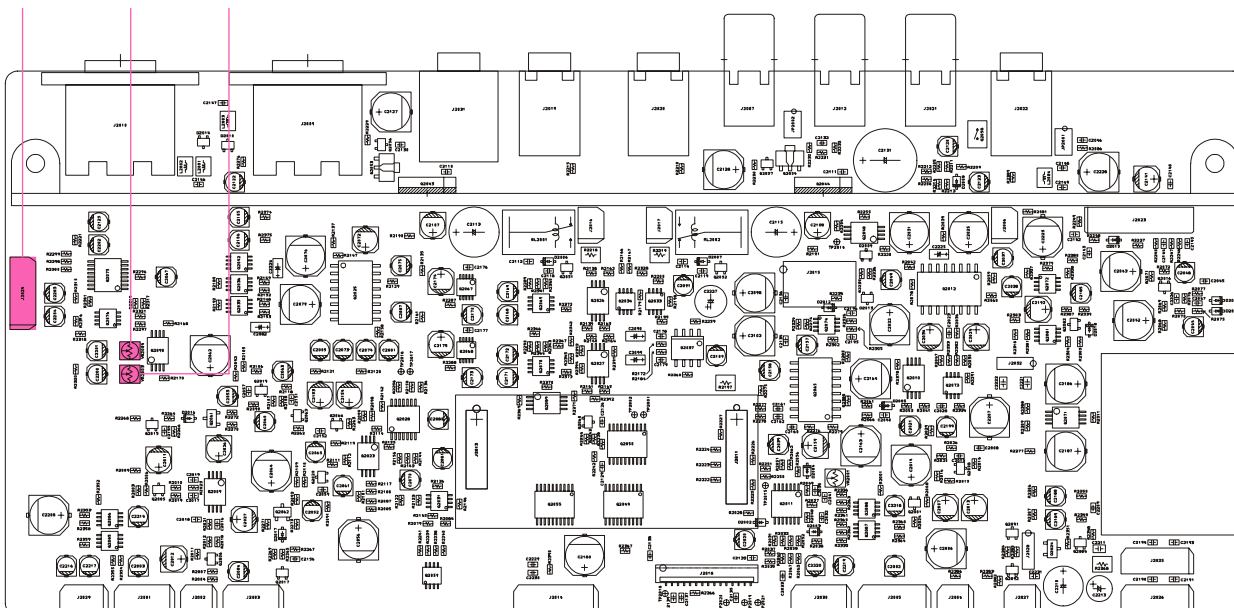


**VRF-2 UNIT ALIGNMENT POINTS**

## AF Unit Adjustment

- ❑ Connect the RF Signal Generator to the “ANT 1” Jack, then set the output level to +60 dB $\mu$  at 14.200 MHz.
- ❑ Connect the oscilloscope to pin 3 of J2024 on the AF Unit.
- ❑ Set the MAIN Band (VFO-A) frequency to 14.200 MHz in the USB mode.
- ❑ In the D version, switch the TFT display to the Audio Scope/Oscilloscope Indication Screen, then press the [F3(SOURCE)] key to set the source to “VFO-A.”
- ❑ In the MP version, switch the External display to the Audio Scope/Oscilloscope Indication Screen, then press the [3/5(SOURCE)] key to set the source to “VFO-A.”
- ❑ Rotate the Main Dial knob so that a 1 kHz tone is produced from the speaker.
- ❑ Adjust VR2003 for 700 mVp-p ( $\pm 50$  mV) on the oscilloscope.
- ❑ In the D version, press the [F3(SOURCE)] key to set the source to “VFO-B.”
- ❑ In the MP version, press the [3/5(SOURCE)] key to set the source to “VFO-B.”
- ❑ Adjust VR2004 for 700 mVp-p ( $\pm 50$  mV) on the Oscilloscope.

J2024 VR2004 VR2003



**AF UNIT ALIGNMENT POINTS**

# Alignment

## DVS Unit Adjustment

- ❑ Connect the FH-2 to the REMOTE jack on the rear panel.
- ❑ Connect the Ohmmeter lead between TP2905 and ground on the DVS Unit.
- ❑ Adjust VR2901 on the DVS Unit for 40 k-Ohms ( $\pm 200$  Ohms) on the Ohmmeter.

## TX Unit Adjustment

### TX-IF-AMP Bias Adjustment

- ❑ Disconnect the coaxial cable from J2514, then terminate J2514 into a 50-Ohm resistor.
- ❑ Connect the DC voltmeter to TP2506 on the TX Unit.
- ❑ Adjust VR2503 on the TX Unit for 3.6 V ( $\pm 0.1$  V) on the DC voltmeter.

### ALC Meter VR Adjustment

- ❑ Press and hold in the [ANT1], [ANT3], and [RX ANT] keys, while turning the radio on, to enter the alignment mode.
- ❑ Rotate the Main Dial knob to select the alignment parameter "C17A."

- ❑ Rotate the CLAR/VFO-B knob so that the VFO-B frequency display shows "0."
- ❑ Connect the DC voltmeter to the center leg of VR2504 (or TP2534) on the TX Unit.
- ❑ Adjust VR2504 for 3.0 V ( $\pm 0.1$  V) on the DC voltmeter.  
***Do not exceed a VR2504 setting of 3.3 V on the DC voltmeter.***
- ❑ Press the [MNU] key *momentarily* to exit from the alignment mode.

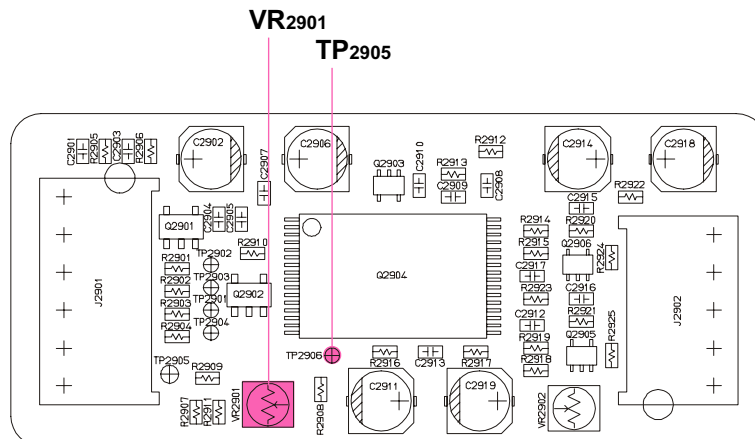
### TX IFT Adjustment (HF)

- ❑ Disconnect the coaxial cable from J2514 on the TX Unit, then connect the RF millivoltmeter to J2514.
- ❑ Set the MAIN Band (VFO-A) frequency to 28.700 MHz in the CW-U mode, then rotate the RF PWR knob to the fully clockwise position.
- ❑ Press the PTT button, then adjust T2501, T2502, T2503, T2504, and T2505 on the TX Unit for maximum deflection on the RF millivoltmeter.
- ❑ Release the PTT button.
- ❑ Disconnect the RF millivoltmeter from J2514 on the TX Unit, then re-connect the coaxial cable to J2514.

Alignment Parameter



VFO-B Frequency Display    Clarifier Frequency Display



**DVS UNIT ALIGNMENT POINTS**

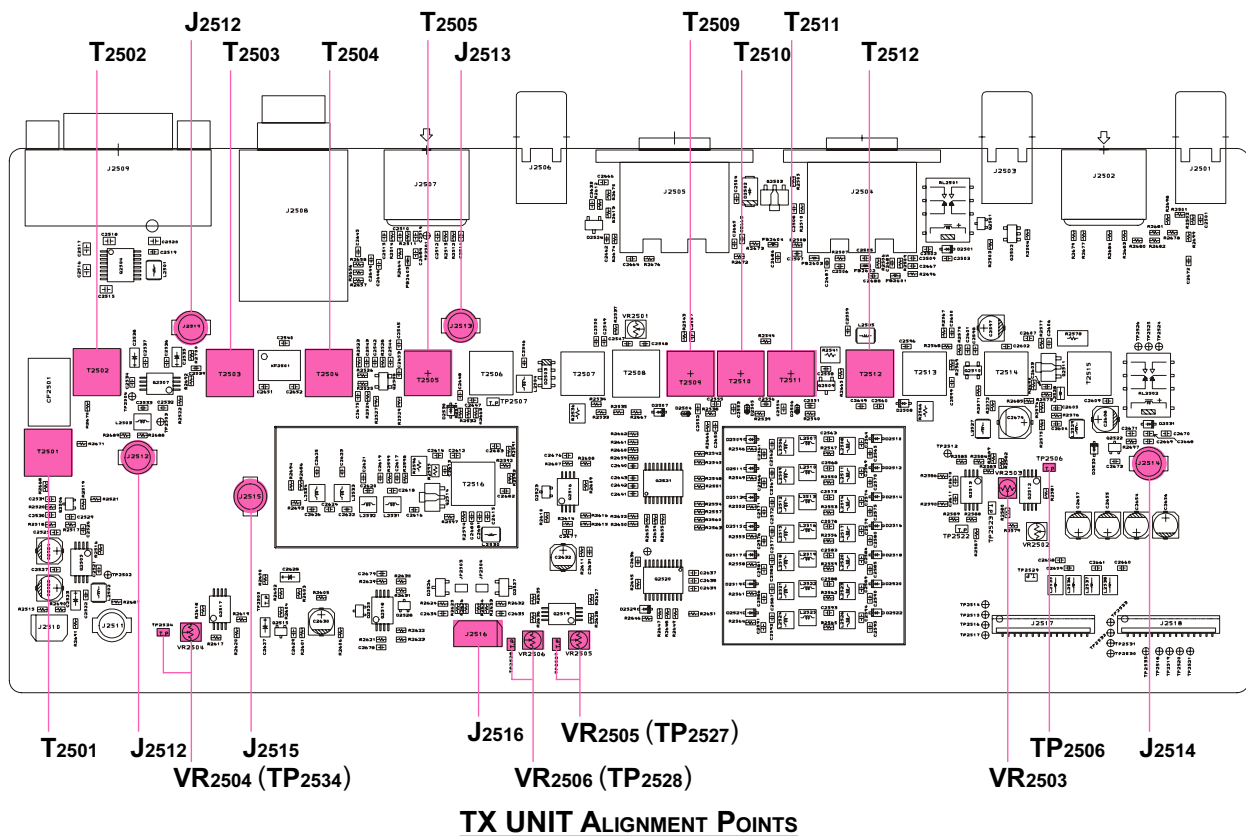
## TX IFT Adjustment (MCF)

- ❑ Disconnect the coaxial cables from J2512 and J2513 on the TX Unit.
- ❑ Connect the Tracking Generator to J2512 and connect the Spectrum Analyzer to J2513.
- ❑ Set up the Spectrum Analyzer as shown below:  
Center Frequency: 40.455 MHz  
Span: 50 kHz
- ❑ Adjust T2503 and T2504 on the TX Unit to obtain maximum amplitude with minimum ripple.
- ❑ Disconnect the Tracking Generator from J2512 and the Spectrum Analyzer from J2513.
- ❑ Connect the coaxial cables back to J2512 and J2513.

## 50 MHz Band Adjustment

- ❑ Disconnect the coaxial cable from J2514 on the TX Unit, then connect the RF millivoltmeter to J2514.
- ❑ Press and hold in the [ANT1], [ANT3], and [RX ANT] keys, while turning the radio on, to enter the alignment mode.
- ❑ Rotate the Main Dial knob to select the alignment parameter "C26A."
- ❑ Rotate the CLAR/VFO-B knob so that the VFO-B frequency display shows "30" or more.

- ❑ Rotate the Main Dial knob to select the alignment parameter "C70."
- ❑ Press the PTT switch, then adjust T2509, T2510, T2511, and T2512 on the TX Unit for maximum deflection on the RF millivoltmeter.
- ❑ Release the PTT switch.
- ❑ Rotate the Main Dial knob to select the alignment parameter "C71."
- ❑ Press the PTT switch, then rotate the CLAR/VFO-B knob for maximum deflection on the RF millivoltmeter.
- ❑ Release the PTT switch.
- ❑ Rotate the Main Dial knob to select the alignment parameter "C72."
- ❑ Press the PTT switch, then rotate the CLAR/VFO-B knob for maximum deflection on the RF millivoltmeter.
- ❑ Release the PTT switch, then press and hold in the [MNU] key for 2 seconds to exit from the alignment mode.
- ❑ Disconnect the RF millivoltmeter from J2514, then re-connect the coaxial cable to J2514.





# Alignment

## PA-B Unit Adjustment (D/Contest version)

### Preparation

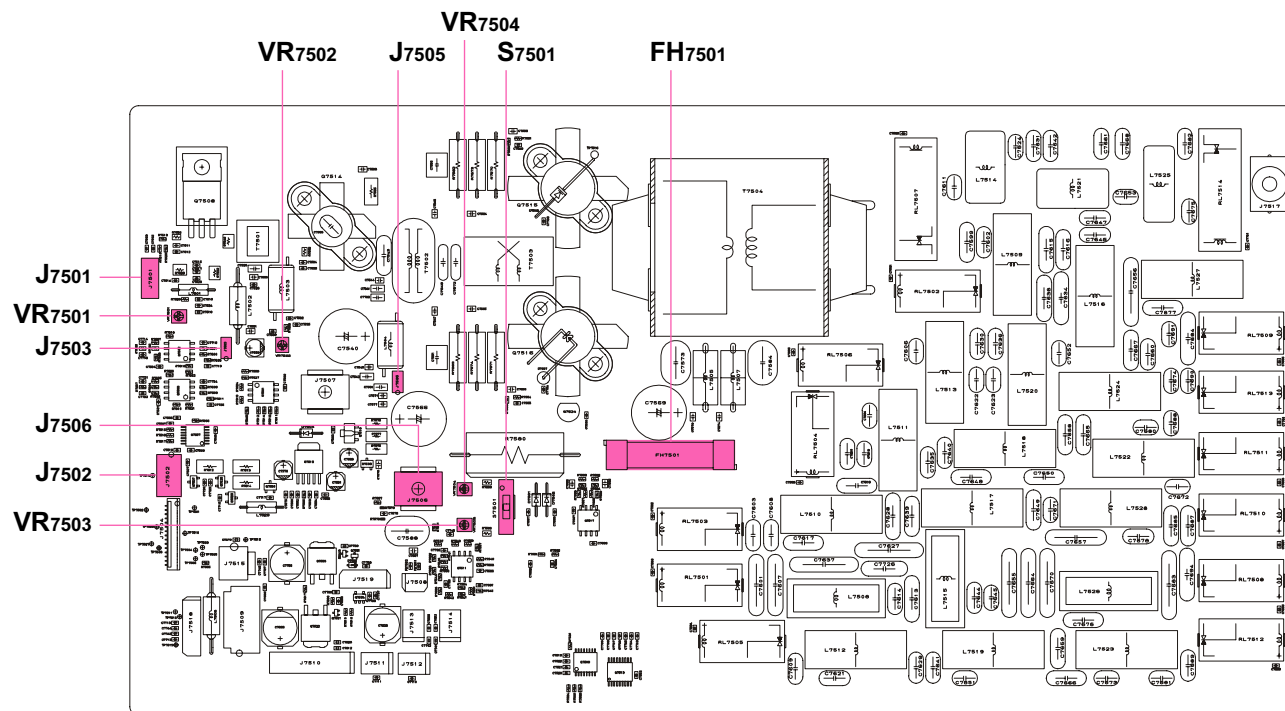
- ❑ Connect the 50-Ohm Dummy Load to the ANT 1 jack.
- ❑ Disconnect the coaxial cable from J7501 on the PA-B Unit, then terminate J7501 into a 50-Ohm resistor.
- ❑ Disconnect the jumper plugs from J7503 and J7505 on the PA-B Unit, and remove the fuse from FH7501 on the PA-B Unit.

### Pre-Drive Stage Idling Current Adjustment

- ❑ Connect the DC ammeter to J7503 on the PA-B Unit.
- ❑ Press the PTT switch, then adjust VR7501 for 50 mA ( $\pm 5$  mA) on the DC ammeter.
- ❑ Release the PTT switch, then disconnect the DC ammeter from J7503 and re-connect the jumper plug to J7503.

### Drive Stage Idling Current Adjustment

- ❑ Connect the DC ammeter to J7505 on the PA-B Unit.
- ❑ Press and hold in the [ANT1], [ANT3], and [RX ANT] keys, while turning the radio on, to enter the alignment mode.
- ❑ Rotate the Main Dial knob to select the alignment parameter "C2."
- ❑ Press the PTT switch, then rotate the CLAR/VFO-B knob so that the VFO-B frequency display shows "255."
- ❑ Press the PTT switch, then adjust VR7502 for 700 mA ( $\pm 50$  mA) on the DC ammeter.
- ❑ Release the PTT switch, then press and hold in the [MNU] key for 2 seconds to exit from the alignment mode.
- ❑ Disconnect the DC ammeter from J7505 and re-connect the jumper plug to J7505.



**PA-B UNIT ALIGNMENT POINTS**

# Alignment

## Final Stage Idling Current Adjustment

- ❑ Connect the DC ammeter across FH7501 on the PA-B Unit.
- ❑ Turn on the CLASS-A switch, then rotate the BIAS knob to the fully clockwise position.
- ❑ Press and hold in the [ANT1], [ANT3], and [RX ANT] keys, while turning the radio on, to enter the alignment mode.
- ❑ Rotate the Main Dial knob to select the alignment parameter “C1,” and switch S7501 on the PA-B Unit to the “VR7504” side.
- ❑ Press the PTT switch, then adjust VR7504 for 3.5 A ( $\pm 0.1$  A) on the DC ammeter.
- ❑ Release the PTT switch, then switch S7501 to the “VR7503” side.
- ❑ Press the PTT switch, then adjust VR7503 for 3.5 A ( $\pm 0.1$  A) on the DC ammeter.
- ❑ Release the PTT switch, then turn off the CLASS-A switch.
- ❑ Rotate the Main Dial knob to select the alignment parameter “C3,” and switch S7501 to the “VR7503” side.
- ❑ Press the PTT switch, then rotate the CLAR/VFO-B knob for 350 mA ( $\pm 20$  mA) on the DC ammeter.
- ❑ Release the PTT switch, then switch S7501 to the “VR7504” side.
- ❑ Rotate the Main Dial knob to select the alignment parameter “C4.”
- ❑ Press the PTT switch, then rotate the CLAR/VFO-B knob for 350 mA ( $\pm 20$  mA) on the DC ammeter.
- ❑ Release the PTT switch, then switch S7501 to its Center position.  
*Do not forget to switch S7501 to the Center position.*
- ❑ Press and hold in the [MNU] key for 2 seconds to exit from the alignment mode.
- ❑ Connect the 50-Ohm Dummy Load to the ANT 1 jack.
- ❑ Disconnect the 50-Ohm resistor from J7501, then re-connect the coaxial cable to J7501, and connect the fuse to FH7501.

# Alignment

## PA-A Unit Adjustment (MP version)

### Preparation

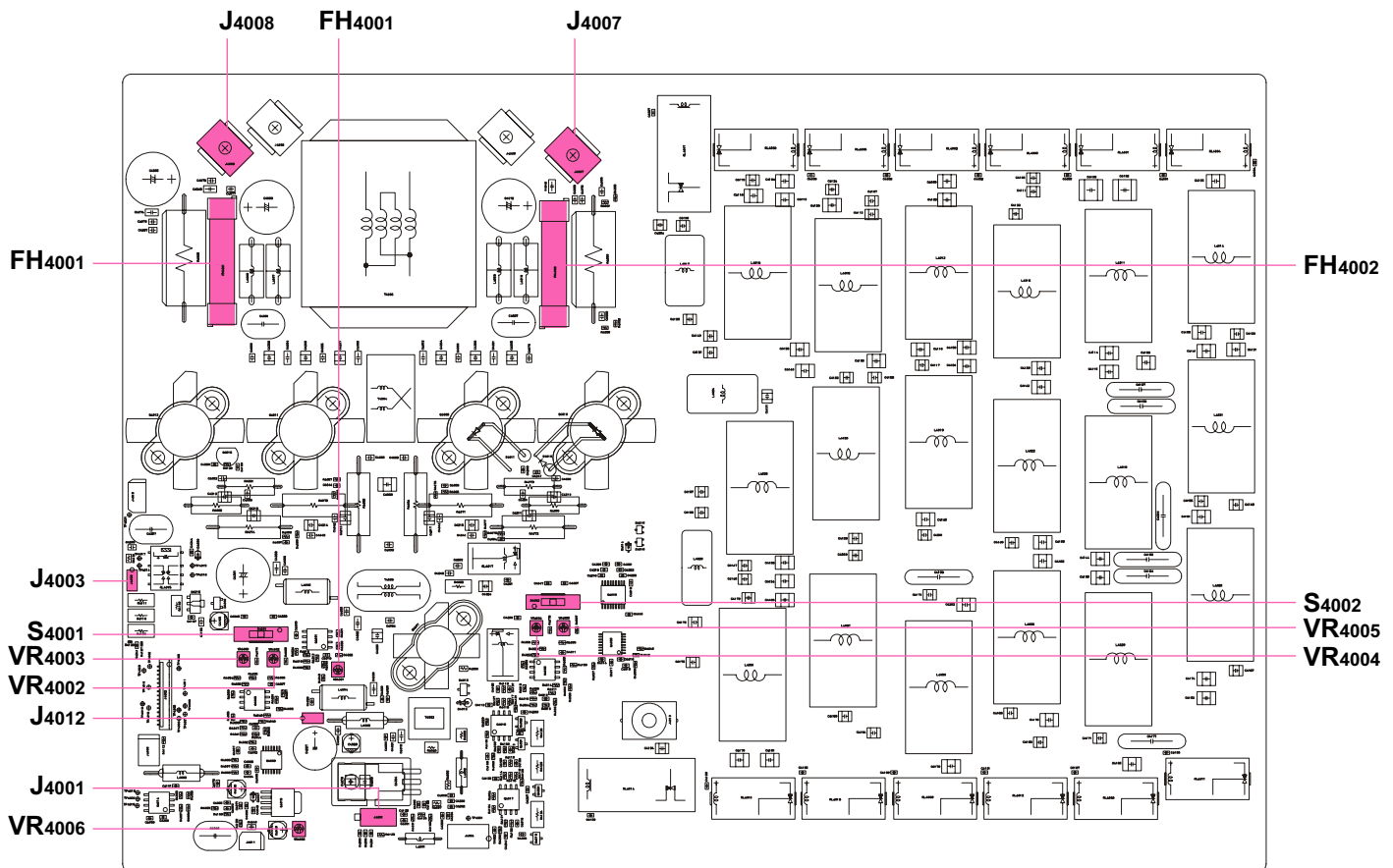
- ❑ Connect the 50-Ohm Dummy Load to the ANT 1 jack.
- ❑ Disconnect the coaxial cable from J4001 on the PA-A Unit, then terminate J4001 into a 50-Ohm resistor.
- ❑ Disconnect the jumper plugs from J4012 and J4003 on the PA-A Unit, and remove the fuses from FH4001 and FH4002 on the PA-A Unit.

### Pre-Drive Stage Idling Current Adjustment

- ❑ Connect the DC ammeter to J4012 on the PA-A Unit.
- ❑ Press the PTT switch, then adjust VR4006 for 50 mA ( $\pm 5$  mA) on the DC ammeter.
- ❑ Release the PTT switch, then disconnect the DC ammeter from J4012 and connect the jumper plug back to J4012.

### Drive Stage Idling Current Adjustment

- ❑ Connect the DC ammeter to J4003 on the PA-A Unit.
- ❑ Press and hold in the [ANT1], [ANT3], and [RX ANT] keys, while turning the radio on, to enter the alignment mode.
- ❑ Rotate the Main Dial knob to select the alignment parameter "C2."
- ❑ Press the PTT switch, then rotate the CLAR/VFO-B knob so that the VFO-B frequency display shows "255."
- ❑ Press the PTT switch, then adjust VR4001 for 700 mA ( $\pm 50$  mA) on the DC ammeter.
- ❑ Release the PTT switch, then disconnect the DC ammeter from J4003 and connect the jumper plug back to J4003.



**PA-A UNIT ALIGNMENT POINTS**

# Alignment

## Final Stage Idling Current Adjustment

- ❑ Connect the DC ammeter across FH4002 on the PA-A Unit.
- ❑ Turn on the CLASS-A switch, then rotate the BIAS knob to the fully clockwise position.
- ❑ Press and hold in the [ANT1], [ANT3], and [RX ANT] keys, while turning the radio on, to enter the alignment mode.
- ❑ Rotate the Main Dial knob to select the alignment parameter "C1," and switch S4001 on the PA-A Unit to the "VR4003" side.
- ❑ Press the PTT switch, then adjust VR4002 for 3.0 A ( $\pm 0.1$  A) on the DC ammeter.
- ❑ Release the PTT switch, then switch S4001 to the "VR4002" side.
- ❑ Press the PTT switch, then adjust VR4003 for 3.0 A ( $\pm 0.1$  A) on the DC ammeter.
- ❑ Release the PTT switch, then turn off the CLASS-A switch.
- ❑ Rotate the Main Dial knob to select the alignment parameter "C3," and switch S4001 to the "VR4003" side.
- ❑ Press the PTT switch, then rotate the CLAR/VFO-B knob for 350 mA ( $\pm 20$  mA) on the DC ammeter.
- ❑ Release the PTT switch, then switch S4001 to the "VR4002" side.
- ❑ Rotate the Main Dial knob to select the alignment parameter "C4."
- ❑ Press the PTT switch, then rotate the CLAR/VFO-B knob for 350 mA ( $\pm 20$  mA) on the DC ammeter.
- ❑ Release the PTT switch, then switch S4001 to its Center position.
- Do not forget to switch S4001 to the Center position.*
- ❑ Connect the DC ammeter across FH4001 on the PA-A Unit.

- ❑ Turn on the CLASS-A switch, then rotate the BIAS knob to the fully clockwise position.
- ❑ Rotate the Main Dial knob to select the alignment parameter "C1," and switch S4002 on the PA-A Unit to the "VR4004" side.
- ❑ Press the PTT switch, then adjust VR4004 for 3.0 A ( $\pm 0.1$  A) on the DC ammeter.
- ❑ Release the PTT switch, then switch S4002 to the "VR4005" side.
- ❑ Press the PTT switch, then adjust VR4005 for 3.0 A ( $\pm 0.1$  A) on the DC ammeter.
- ❑ Release the PTT switch, then turn off the CLASS-A switch.
- ❑ Rotate the Main Dial knob to select the alignment parameter "C5," and switch S4002 to the "VR4004" side.
- ❑ Press the PTT switch, then rotate the CLAR/VFO-B knob for 350 mA ( $\pm 20$  mA) on the DC ammeter.
- ❑ Release the PTT switch, then switch S4002 to the "VR4005" side.
- ❑ Rotate the Main Dial knob to select the alignment parameter "C6."
- ❑ Press the PTT switch, then rotate the CLAR/VFO-B knob for 350 mA ( $\pm 20$  mA) on the DC ammeter.
- ❑ Release the PTT switch, then switch S4002 to its Center position.
- Do not forget to switch S4002 to the Center position.*
- ❑ Press and hold in the [MNU] key for 2 seconds to exit from the alignment mode.
- ❑ Disconnect the 50-Ohm resistor from J4001, then re-connect the coaxial cable to J4001.
- ❑ Re-install the fuses into FH4001 and FH4002.

# Alignment

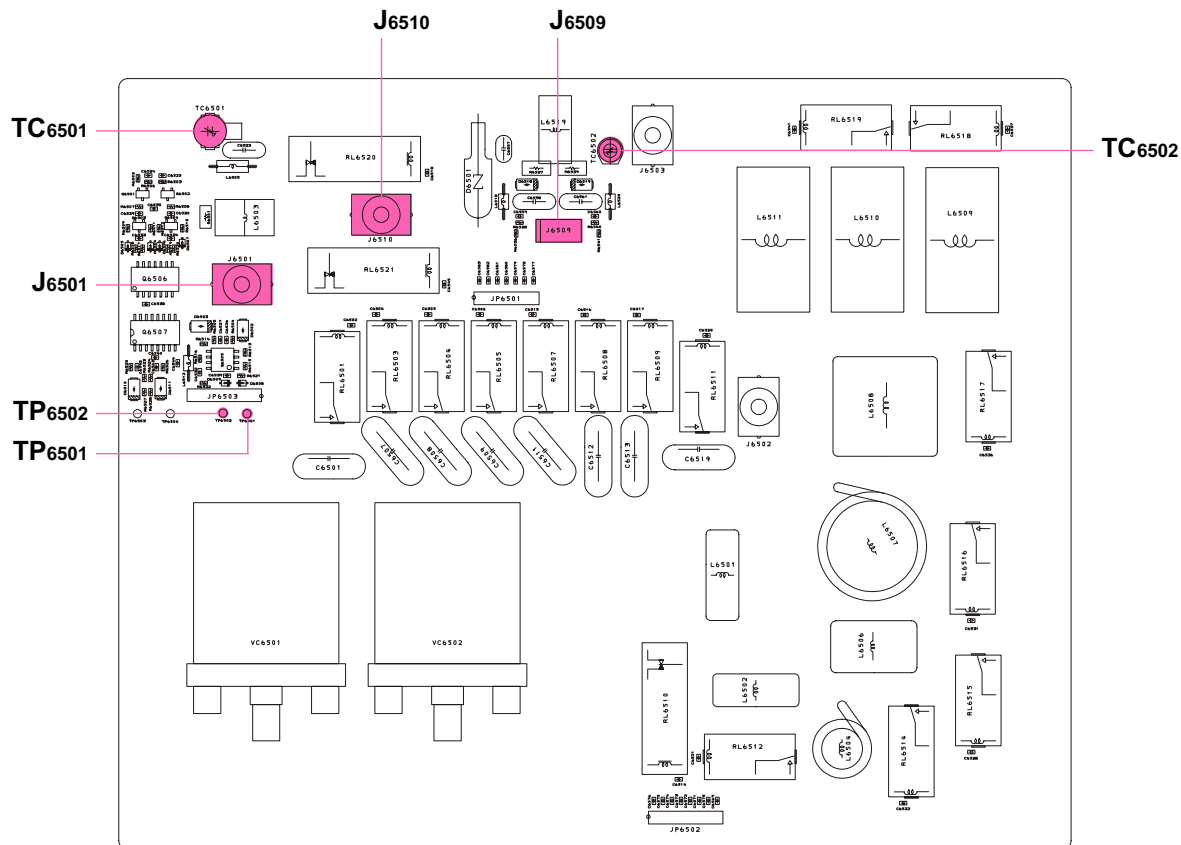
## Antenna Tuner Adjustment

### CM Coupler Balance Adjustment (D/Contest Version)

- ❑ Disconnect the coaxial cable from J6510 on the TUNER-MAIN Unit, then connect the 50-Ohm Dummy Load to J6510.
- ❑ Connect the DC voltmeter (Hi Impedance) to pin 3 of J6509 on the TUNER-MAIN Unit.
- ❑ Turn off the TUNER switch, then set the MAIN Band (VFO-A) frequency to 24.900 MHz in the FM mode.
- ❑ Press the PTT switch, then adjust TC6502 on the TUNER-MAIN Unit for minimum deflection on the DC voltmeter (0.4 V or below).
- ❑ Release the PTT switch, then disconnect the 50-Ohm Dummy Load from J6510 and connect the coaxial cable back to J6510.

### $\phi$ , Z-Null Adjustment (D/Contest Version)

- ❑ Connect the 50-Ohm Dummy Load and Wattmeter to the ANT 1 jack.
- ❑ Turn off the TUNER switch, then set the MAIN Band (VFO-A) frequency to 24.900 MHz in the FM mode.
- ❑ Press the PTT switch, then rotate the RF PWR knob for 50 Watts on the Wattmeter.
- ❑ Disconnect the coaxial cable from J6501 on the TUNER-MAIN Unit, then connect the 50-Ohm Dummy Load to J6501.
- ❑ Connect the DC voltmeter (Hi Impedance) between TP6501 and TP6502 on the TUNER-MAIN Unit, then turn on the TUNER switch.
- ❑ Press the PTT switch, then adjust TC6501 on the TUNER-MAIN Unit for 0 V ( $\pm 0.08$  V) on the DC voltmeter.
- ❑ Release the PTT switch, then disconnect the 50-Ohm Dummy Load from J6501, then re-connect the coaxial cable to J6501.



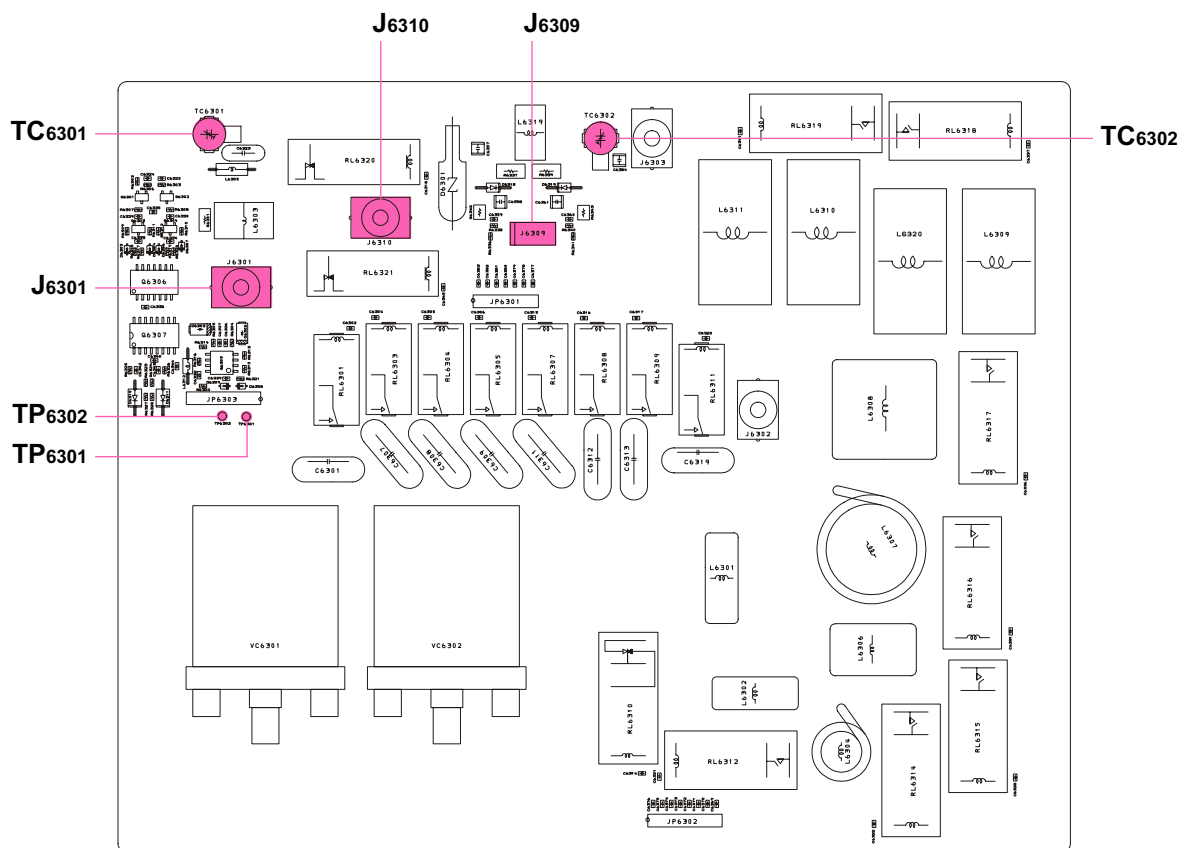
**TUNER MAIN UNIT ALIGNMENT POINTS**

## CM Coupler Balance Adjustment (MP Version)

- ❑ Disconnect the coaxial cable from J6310 on the TUNER-MAIN-A Unit, then connect the 50-Ohm Dummy Load to J6310.
- ❑ Connect the DC voltmeter (Hi Impedance) to pin 3 of J6309 on the TUNER-MAIN-A Unit.
- ❑ Turn off the TUNER switch, then set the MAIN Band (VFO-A) frequency to 24.900 MHz in the FM mode.
- ❑ Press the PTT switch, then adjust TC6302 on the TUNER-MAIN-A Unit for minimum deflection on the DC voltmeter (50 mV or below).
- ❑ Release the PTT switch, then disconnect the 50-Ohm Dummy Load from J6310 and re-connect the coaxial cable to J6310.

## ∅, Z-Null Adjustment (MP Version)

- ❑ Connect the 50-Ohm Dummy Load and Wattmeter to the ANT 1 jack.
- ❑ Turn off the TUNER switch, then set the MAIN Band (VFO-A) frequency to 24.900 MHz in the FM mode.
- ❑ Press the PTT switch, then rotate the RF PWR knob for 100 Watts on the Wattmeter.
- ❑ Disconnect the coaxial cable from J6301 on the TUNER-MAIN-A Unit, then re-connect the 50-Ohm Dummy Load to J6301.
- ❑ Connect the DC voltmeter (Hi Impedance) between TP6301 and TP6302 on the TUNER-MAIN-A Unit, then turn on the TUNER switch.
- ❑ Press the PTT switch, then adjust TC6301 on the TUNER-MAIN-A Unit for 0 V ( $\pm 0.08$  V) on the DC voltmeter.
- ❑ Release the PTT switch, then disconnect the 50-Ohm Dummy Load from J6301, then re-connect the coaxial cable to J6301.



**TUNER MAIN-A UNIT ALIGNMENT POINTS**

# Alignment

## Transmitter Section Alignment Mode

### Preparation

- ❑ Referring to table at the right, tune the MAIN Band (VFO-A) frequency to each frequency listed.
- ❑ Connect the 50-Ohm Dummy Load and Wattmeter to the ANT 1 jack.
- ❑ Press the [MNU] key momentarily to enter the Menu ("Set") mode.
- ❑ Rotate the Main Dial knob to select Menu item "MODE-SSB 069 SSB MIC SELECT."
- ❑ Rotate the CLAR/VFO-B knob to set this Menu item to "REAR."
- ❑ Press and hold in the [MNU] key for two seconds to save the new setting and exit from the Menu ("Set") mode.

1.8 MHz Band	1.850 MHz, USB
3.5 MHz Band	3.570 MHz, USB
7 MHz Band	7.100 MHz, USB
10 MHz Band	10.100 MHz, USB
14 MHz Band	14.200 MHz, USB
18 MHz Band	18.100 MHz, USB
21 MHz Band	21.200 MHz, USB
24.5 MHz Band	24.900 MHz, USB
28 MHz Band	28.700 MHz, USB
50 MHz Band	52.000 MHz, USB

### PWR Control Adjustment

- ❑ Press and hold in the [ANT1], [ANT3], and [RX ANT] keys, while turning the radio on, to enter the alignment mode.
- ❑ Rotate the Main Dial knob to select the alignment parameter "C27."
- ❑ Rotate the CLAR/VFO-B knob so that the VFO-B frequency display shows "90."

### ALC Current Adjustment

- ❑ Connect the Audio Generator to pin 8 of the MIC jack (pin 7: GND) on the rear panel, then set the output level to +0.7 mV @1 kHz.
- ❑ Rotate the Main Dial knob to select the alignment parameter "C7," then rotate the CLAR/VFO-B knob so that the VFO-B frequency display shows "20."
- ❑ Rotate the MIC knob to the fully counter-clockwise position.
- ❑ Press the PTT switch, then gently rotate the MIC knob to the fully clockwise position.
- ❑ Rotate the CLAR/VFO-B knob for 240 W (D/Contest) or 440 W (MP) on the Wattmeter.
- ❑ Release the PTT switch.
- ❑ Perform the same procedures for the Alignment Parameters "C8" through "C16," per the chart below.

ALIGNMENT PARAMETER	VFO-B FREQUENCY DISPLAY	WATTMETER	
		D/CONTEST	MP
C7	20	240 W	440 W
C8	20	260 W	440 W
C9	20	240 W	440 W
C10	20	240 W	440 W
C11	20	240 W	440 W
C12	20	240 W	430 W
C13	20	240 W	440 W
C14	20	240 W	440 W
C15	20	260 W	440 W
C16	20	240 W	440 W

- ❑ Press and hold in the [MNU] key for 2 seconds to exit from the alignment mode.

# Alignment

## Power Adjustment

- ❑ Connect the 50-Ohm Dummy Load and Wattmeter to the ANT 1 jack.
- ❑ Set the MAIN Band (VFO-A) frequency to 14.200 MHz in the CW-U mode.
- ❑ Press and hold in the [ANT1], [ANT3], and [RX ANT] keys, while turning the radio on, to enter the alignment mode.
- ❑ Rotate the Main Dial knob to select the alignment parameter “C21A.”
- ❑ Rotate the CLAR/VFO-B knob so that the VFO-B frequency display shows “0.”
- ❑ Press the PTT switch, then rotate the CLAR/VFO-B knob for 200 W (D/Contest) or 400 W (MP) on the Wattmeter.
- ❑ Release the PTT switch, then press and hold in the [MNU] key for 2 seconds to exit from the alignment mode.

## ALC Meter Adjustment

- ❑ Connect the 50-Ohm Dummy Load and Wattmeter to the ANT 1 jack.
- ❑ Connect the Audio Generator to pin 8 of the MIC jack (pin 7: GND) on the rear panel, then set the output level to +4 mV @1 kHz.
- ❑ Set the MAIN Band (VFO-A) frequency to 14.200 MHz in the USB mode.
- ❑ Rotate the RF PWR knob to the fully clockwise position.
- ❑ Press and hold in the [ANT1], [ANT3], and [RX ANT] keys, while turning the radio on, to enter the alignment mode.
- ❑ Rotate the Main Dial knob to select the alignment parameter “C58.”
- ❑ Press the PTT switch, then rotate the MIC knob to the position where the ALC meter just starts to deflect.
- ❑ Release the PTT switch, then set the Audio Generator output level to +10 mV @1 kHz.
- ❑ Press the [ENT] key, while pressing and holding in the PTT switch, then rotate the CLAR/VFO-B knob for maximum point of the ALC zone on the ALC meter.
- ❑ Release the PTT switch, then press and hold in the [MNU] key for 2 seconds to exit from the alignment mode.



# Alignment

## TX Output Power/PO Meter/TXG Adjustment

- ❑ Referring to table at the right, tune the MAIN Band (VFO-A) frequency to each frequency listed.
- ❑ Connect the Dummy Load and Wattmeter to the "ANT 1" Jack, then set the METER switch to the "PO" position.
- ❑ Set the MAIN Band (VFO-A) frequency to 1.850 MHz in the CW-U mode.
- ❑ Press and hold in the [ANT1], [ANT3], and [RX ANT] keys, while turning the radio on, to enter the alignment mode.

1.8 MHz Band	1.850 MHz, CW
3.5 MHz Band	3.570 MHz, CW
7 MHz Band	7.100 MHz, CW
10 MHz Band	10.100 MHz, CW
14 MHz Band	14.200 MHz, CW
18 MHz Band	18.100 MHz, CW
21 MHz Band	21.200 MHz, CW
24.5 MHz Band	24.900 MHz, CW
28 MHz Band	28.700 MHz, CW
50 MHz Band	52.000 MHz, CW

Alignment Parameter



VFO-B Frequency Display Clarifier Frequency Display

- ❑ Rotate the Main Dial knob to select the Alignment Parameter "C17A."
- ❑ Rotate the CLAR/VFO-B knob so that the VFO-B frequency display shows "0."
- ❑ Rotate the VRF/μ knob so that the Clarifier frequency display shows "130."
- ❑ Rotate the NOTCH knob for 200 W (D/Contest) or 400 W (MP) on the PO meter.
- ❑ Press the PTT switch, then rotate the CLAR/VFO-B knob for 200 W (D/Contest) or 400 W (MP) on the Wattmeter.
- ❑ Rotate the VRF/μ knob for maximum point of the ALC zone on the ALC meter.
- ❑ Release the PTT switch.
- ❑ Perform the same procedures for the Alignment Menus "C17b" through "C26F," per the chart below.
- ❑ Press and hold in the [MNU] key for 2 seconds to exit from the alignment mode.

ALIGNMENT PARAMETER	VFO-B FREQ. DISPLAY	CLAR FREQ. DISPLAY	PO METER		WATTMETER		ALC METER	ALIGNMENT PARAMETER	VFO-B FREQ. DISPLAY	CLAR FREQ. DISPLAY	PO METER		WATTMETER		ALC METER
			D/CONTEST	MP	D/CONTEST	MP					D/CONTEST	MP	D/CONTEST	MP	
C17A	0	130	200	400	200	400	Max.*	C22A	0	110	200 W	400 W	200 W	400 W	Max.*
C17b	0	130	100	200	100	200	Max.*	C22b	0	110	100 W	200 W	100 W	200 W	Max.*
C17c	0	130	50	100	50	100	Max.*	C22c	0	110	50 W	100 W	50 W	100 W	Max.*
C17d	0	120	20	50	20	50	Max.*	C22d	0	90	20 W	50 W	20 W	50 W	Max.*
C17E	0	110	10	20	10	20	Max.*	C22E	0	80	10 W	20 W	10 W	20 W	Max.*
C17F	0	100	5	10	5	10	Max.*	C22F	0	70	5 W	10 W	5 W	10 W	Max.*
C18A	0	110	200	400	200	400	Max.*	C23A	0	110	200 W	400 W	200 W	400 W	Max.*
C18b	0	110	100	200	100	200	Max.*	C23b	0	110	100 W	200 W	100 W	200 W	Max.*
C18c	0	110	50	100	50	100	Max.*	C23c	0	110	50 W	100 W	50 W	100 W	Max.*
C18d	0	90	20	50	20	50	Max.*	C23d	0	90	20 W	50 W	20 W	50 W	Max.*
C18E	0	80	10	20	10	20	Max.*	C23E	0	80	10 W	20 W	10 W	20 W	Max.*
C18F	0	70	5	10	5	10	Max.*	C23F	0	70	5 W	10 W	5 W	10 W	Max.*
C19A	0	110	200	400	200	400	Max.*	C24A	0	110	200 W	400 W	200 W	400 W	Max.*
C19b	0	110	100	200	100	200	Max.*	C24b	0	110	100 W	200 W	100 W	200 W	Max.*
C19c	0	110	50	100	50	100	Max.*	C24c	0	110	50 W	100 W	50 W	100 W	Max.*
C19d	0	90	20	50	20	50	Max.*	C24d	0	90	20 W	50 W	20 W	50 W	Max.*
C19E	0	80	10	20	10	20	Max.*	C24E	0	80	10 W	20 W	10 W	20 W	Max.*
C19F	0	70	5	10	5	10	Max.*	C24F	0	70	5 W	10 W	5 W	10 W	Max.*
C20A	0	110	200	400	200	400	Max.*	C25A	0	110	200 W	400 W	200 W	400 W	Max.*
C20b	0	110	100	200	100	200	Max.*	C25b	0	110	100 W	200 W	100 W	200 W	Max.*
C20c	0	110	50	100	50	100	Max.*	C25c	0	110	50 W	100 W	50 W	100 W	Max.*
C20d	0	90	20	50	20	50	Max.*	C25d	0	90	20 W	50 W	20 W	50 W	Max.*
C20E	0	80	10	20	10	20	Max.*	C25E	0	80	10 W	20 W	10 W	20 W	Max.*
C20F	0	70	5	10	5	10	Max.*	C25F	0	70	5 W	10 W	5 W	10 W	Max.*
C21A	0	110	200	400	200	400	Max.*	C26A	0	130	200 W	400 W	200 W	400 W	Max.*
C21b	0	110	100	200	100	200	Max.*	C26b	0	130	100 W	200 W	100 W	200 W	Max.*
C21c	0	110	50	100	50	100	Max.*	C26c	0	130	50 W	100 W	50 W	100 W	Max.*
C21d	0	90	20	50	20	50	Max.*	C26d	0	120	20 W	50 W	20 W	50 W	Max.*
C21E	0	80	10	20	10	20	Max.*	C26E	0	110	10 W	20 W	10 W	20 W	Max.*
C21F	0	70	5	10	5	10	Max.*	C26F	0	100	5 W	10 W	5 W	10 W	Max.*

\*: maximum point of the ALC zone on the ALC meter.

## AM-TXG Adjustment

- ❑ Referring to table at the right, tune the MAIN Band (VFO-A) frequency to each frequency listed.
- ❑ Connect the Dummy Load and Wattmeter to the "ANT 1" Jack, then set the MAIN Band (VFO-A) frequency to 1.850 MHz in the AM mode.
- ❑ Press and hold in the [ANT1], [ANT3], and [RX ANT] keys, while turning the radio on, to enter the alignment mode.
- ❑ Rotate the Main Dial knob to select the Alignment Parameter "C28A."
- ❑ Rotate the CLAR/VFO-B knob so that the VFO-B frequency display shows "0."
- ❑ Press the PTT switch without microphone input, then rotate the CLAR/VFO-B knob for 70 W (D/Contest) or 100 W (MP) on the Wattmeter.
- ❑ Release the PTT switch.
- ❑ Perform the same procedures for the Alignment Menus "C28b" through "C37d," per the chart at the right.
- ❑ Press and hold in the [MNU] key for 2 seconds to exit from the alignment mode.

1.8 MHz Band	1.850 MHz, AM
3.5 MHz Band	3.570 MHz, AM
7 MHz Band	7.100 MHz, AM
10 MHz Band	10.100 MHz, AM
14 MHz Band	14.200 MHz, AM
18 MHz Band	18.100 MHz, AM
21 MHz Band	21.200 MHz, AM
24.5 MHz Band	24.900 MHz, AM
28 MHz Band	28.700 MHz, AM
50 MHz Band	52.000 MHz, AM

ALIGNMENT PARAMETER	VFO-B FREQUENCY DISPLAY	WATTMETER	
		D/CONTEST	MP
C28A	0	70 W	100 W
C28b	0	20 W	50 W
C28c	0	10 W	20 W
C28d	0	5 W	10 W
C29A	0	70 W	100 W
C29b	0	20 W	50 W
C29c	0	10 W	20 W
C29d	0	5 W	10 W
C30A	0	70 W	100 W
C30b	0	20 W	50 W
C30c	0	10 W	20 W
C30d	0	5 W	10 W
C31A	0	70 W	100 W
C31b	0	20 W	50 W
C31c	0	10 W	20 W
C31d	0	5 W	10 W
C32A	0	70 W	100 W
C32b	0	20 W	50 W
C32c	0	10 W	20 W
C32d	0	5 W	10 W
C33A	0	70 W	100 W
C33b	0	20 W	50 W
C33c	0	10 W	20 W
C33d	0	5 W	10 W
C34A	0	70 W	100 W
C34b	0	20 W	50 W
C34c	0	10 W	20 W
C34d	0	5 W	10 W
C35A	0	70 W	100 W
C35b	0	20 W	50 W
C35c	0	10 W	20 W
C35d	0	5 W	10 W
C36A	0	70 W	100 W
C36b	0	20 W	50 W
C36c	0	10 W	20 W
C36d	0	5 W	10 W
C37A	0	70 W	100 W
C37b	0	20 W	50 W
C37c	0	10 W	20 W
C37d	0	5 W	10 W

# Alignment

## CLASS-A Adjustment

- Referring to table at the right, tune the MAIN Band (VFO-A) frequency to each frequency listed.
- Connect the Dummy Load and Wattmeter to the "ANT 1" Jack, then set the MAIN Band (VFO-A) frequency to 1.850 MHz in the CW mode.
- Turn on the CLASS-A switch, then rotate the BIAS and RF PWR knobs fully clockwise.
- Press and hold in the [ANT1], [ANT3], and [RX ANT] keys, while turning the radio on, to enter the alignment mode.
- Rotate the Main Dial knob to select the Alignment Parameter "C38."
- Rotate the CLAR/VFO-B knob so that the VFO-B frequency display is shows "0."
- Press the PTT switch, then rotate the CLAR/VFO-B knob for 75 W (D/Contest) or 100 W (MP) on the Wattmeter.
- Release the PTT switch.
- Perform the same procedures for the Alignment Parameters "C39" through "C47," per the chart below.

1.8 MHz Band	1.850 MHz, CW
3.5 MHz Band	3.570 MHz, CW
7 MHz Band	7.100 MHz, CW
10 MHz Band	10.100 MHz, CW
14 MHz Band	14.200 MHz, CW
18 MHz Band	18.100 MHz, CW
21 MHz Band	21.200 MHz, CW
24.5 MHz Band	24.900 MHz, CW
28 MHz Band	28.700 MHz, CW
50 MHz Band	52.000 MHz, CW

ALIGNMENT PARAMETER	VFO-B FREQUENCY DISPLAY	WATTMETER	
		D/CONTEST	MP
C38	0	75 W	100 W
C39	0	75 W	100 W
C40	0	75 W	100 W
C41	0	75 W	100 W
C42	0	75 W	100 W
C43	0	75 W	100 W
C44	0	75 W	100 W
C45	0	75 W	100 W
C46	0	75 W	100 W
C47	0	75 W	100 W

- Press and hold in the [MNU] key for 2 seconds to exit from the alignment mode.

## REV-ALC Adjustment

- Referring to table at the right, tune the MAIN Band (VFO-A) frequency to each frequency listed.
- Connect the 16.6-Ohm Dummy Load and Wattmeter to the "ANT 4" Jack, then set the METER switch to "PO" position.
- Set the MAIN Band (VFO-A) frequency to 7.100 MHz in the CW mode, then press the [ANTENNA SELECT 4] switch.
- Press and hold in the [ANT1], [ANT3], and [RX ANT] keys, while turning the radio on, to enter the alignment mode.
- Rotate the Main Dial knob to select the Alignment Parameter "C50."
- Rotate the CLAR/VFO-B knob so that the VFO-B frequency display shows "0."
- Press the PTT switch, rotate the CLAR/VFO-B knob for 130 W (D/Contest) or 260 W (MP) on the PO meter, then note the VFO-B frequency display reading.
- Release the PTT switch.
- Rotate the Main Dial knob to select the Alignment Parameter "C48."
- Press the PTT switch, then rotate the CLAR/VFO-B knob so that the VFO-B frequency display reading is same as that noted in the previous step.
- Release the PTT switch.
- Perform the same procedures for the Alignment Parameters "C49" through "C57."
- Press and hold in the [MNU] key for 2 seconds to exit from the alignment mode.
- Press the [ANTENNA SELECT 1] switch.

1.8 MHz Band	1.850 MHz, CW
3.5 MHz Band	3.570 MHz, CW
7 MHz Band	7.100 MHz, CW
10 MHz Band	10.100 MHz, CW
14 MHz Band	14.200 MHz, CW
18 MHz Band	18.100 MHz, CW
21 MHz Band	21.200 MHz, CW
24.5 MHz Band	24.900 MHz, CW
28 MHz Band	28.700 MHz, CW
50 MHz Band	52.000 MHz, CW

# Alignment

## FM MAX Deviation Adjustment

- Press the [MNU] key momentarily to enter the Menu (“Set”) mode.
- Rotate the Main Dial knob to select Menu item “MODE-FM 059 FM MIC SELECT.”
- Rotate the CLAR/VFO-B knob to set this Menu item to “REAR.”
- Press and hold in the [MNU] key for 2 seconds to exit from the Menu (“Set”) mode.
- Connect the Dummy Load, Wattmeter, and Deviation Meter to the “ANT 1” Jack.
- Set the MAIN Band (VFO-A) frequency to 28.700 MHz in the FM mode.
- Connect the Audio Generator to pin 8 of the MIC jack (pin 7: GND) on the rear panel, then set the output level to 10 mV @1 kHz.
- Press and hold in the [ANT1], [ANT3], and [RX ANT] keys, while turning the radio on, to enter the alignment mode.
- Rotate the Main Dial knob to select the Alignment Parameter “C59.”
- Press the PTT switch, then rotate the CLAR/VFO-B knob for 4.5 kHz ( $\pm 0.2$  kHz) on the Deviation Meter.
- Release the PTT switch.
- Rotate the Main Dial knob to select the Alignment Parameter “C60.”
- Set the MAIN Band (VFO-A) operating mode to the FM-N mode.
- Press the PTT switch, then rotate the CLAR/VFO-B knob for 2.25 kHz ( $\pm 0.15$  kHz) on the Deviation Meter.
- Release the PTT switch.
- Press and hold in the [MNU] key for 2 seconds to exit from the alignment mode.

## SWR Meter Adjustment (D version)

- Referring to table at the right, tune the MAIN Band (VFO-A) frequency to each frequency listed.
- Connect the 50-Ohm Dummy Load and Wattmeter to the “ANT 1” Jack, then set the METER switch to the “SWR” position.
- Switch the TFT display to the Temperature/SWR Indication Screen.
- Disconnect the 3-pin plug from J2516 on the TX Unit, then apply a  $-2.8$  V DC voltage to pin 2 of J2516, and  $-0.7$  V DC to pin 3 of J2516.
- Set the MAIN Band (VFO-A) frequency to 1.85 MHz in the USB mode.
- Press the PTT switch, then adjust VR2505 on the TX Unit for an SWR reading of 3.0 on the SWR meter on the TFT Display.
- Release the PTT switch.
- Press and hold in the [ANT1], [ANT3], and [RX ANT] keys, while turning the radio on, to enter the alignment mode.
- Apply a  $-7.0$  V DC voltage to pin 2 of J2516, and  $-0.7$  V DC to pin 3 of J2516.
- Rotate the Main Dial knob to select the alignment parameter “C61A.”
- Press the PTT switch, then rotate the CLAR/VFO-B knob for an SWR reading of 1.5 on the SWR meter.
- Release the PTT switch.
- Perform the same procedures for the Alignment Menus “C61b” through “C63c,” per the chart below.

1.8 MHz Band	1.850 MHz, USB
3.5 MHz Band	3.570 MHz, USB
7 MHz Band	7.100 MHz, USB
10 MHz Band	10.100 MHz, USB
14 MHz Band	14.200 MHz, USB
18 MHz Band	18.100 MHz, USB
21 MHz Band	21.200 MHz, USB
24.5 MHz Band	24.900 MHz, USB
28 MHz Band	28.700 MHz, USB
50 MHz Band	52.000 MHz, USB

ALIGNMENT PARAMETER	J2516			SWR METER
	PIN 2	PIN 3	VOLTAGE RATIO	
C61A	$-7.0$ V	$-0.7$ V	10:1	1.5
C61b	$-4.2$ V	$-0.7$ V	6:1	2.0
C61c	$-2.8$ V	$-0.7$ V	4:1	3.0
C62A	$-7.0$ V	$-0.7$ V	10:1	1.5
C62b	$-4.2$ V	$-0.7$ V	6:1	2.0
C62c	$-2.8$ V	$-0.7$ V	4:1	3.0
C63A	$-7.0$ V	$-0.7$ V	10:1	1.5
C63b	$-4.2$ V	$-0.7$ V	6:1	2.0
C63c	$-2.8$ V	$-0.7$ V	4:1	3.0

- Press and hold in the [MNU] key for 2 seconds to exit from the alignment mode.
- Re-connect the 3-pin plug to J2516.

# Alignment

## SWR Meter Adjustment (MP version)

- Referring to table at the right, tune the MAIN Band (VFO-A) frequency to each frequency listed.
- Connect the 50-Ohm Dummy Load and Wattmeter to the "ANT 1" Jack, then set the METER switch to the "SWR" position and turn on the SWR switch.
- Switch the External Display to the Temperature/SWR Indication Screen.
- Disconnect the 3-pin plug from J2516 on the TX Unit, then apply a -2.8 V DC voltage to pin 2 of J2516, and -1.4 V DC to pin 3 of J2516.
- Set the MAIN Band (VFO-A) frequency to 1.85 MHz in the USB mode.
- Press the PTT switch, then adjust VR2505 on the TX Unit for an SWR reading of 3.0 on the SWR meter on the External Display.
- Release the PTT switch.
- Press and hold in the [ANT1], [ANT3], and [RX ANT] keys, while turning the radio on, to enter the alignment mode.
- Apply a -7.0 V DC voltage to pin 2 of J2516, and -1.4 V DC to pin 3 of J2516.
- Rotate the Main Dial knob to select the alignment parameter "C61A."
- Press the PTT switch, then rotate the CLAR/VFO-B knob for an SWR reading of 1.5 on the SWR meter.
- Rotate the NOTCH knob for an SWR reading of 1.5 on the TEMP/SWR meter.
- Release the PTT switch.
- Perform the same procedures for the Alignment Menus "C61b" through "C63c," per the chart below.
- Press and hold in the [MNU] key for 2 seconds to exit from the alignment mode.
- Re-connect the 3-pin plug to J2516.

1.8 MHz Band	1.850 MHz, USB
3.5 MHz Band	3.570 MHz, USB
7 MHz Band	7.100 MHz, USB
10 MHz Band	10.100 MHz, USB
14 MHz Band	14.200 MHz, USB
18 MHz Band	18.100 MHz, USB
21 MHz Band	21.200 MHz, USB
24.5 MHz Band	24.900 MHz, USB
28 MHz Band	28.700 MHz, USB
50 MHz Band	52.000 MHz, USB

## SWR Meter Adjustment (Contest version)

- Referring to table at the right, tune the MAIN Band (VFO-A) frequency to each frequency listed.
- Connect the 50-Ohm Dummy Load and Wattmeter to the "ANT 1" Jack, then set the METER switch to the "SWR" position and turn on the SWR switch.
- Connect the DC voltmeter (Hi Impedance) to the center leg of VR2506 (or TP2528) on the TX Unit.
- Disconnect the 3-pin plug from J2516 on the TX Unit, then apply a -2.8 V DC voltage to pin 2 of J2516, and -0.7 V DC to pin 3 of J2516.
- Set the MAIN Band (VFO-A) frequency to 1.85 MHz in the USB mode.
- Press the PTT switch, and note the DC voltmeter reading.
- Disconnect the DC voltmeter from VR2506 (or TP2528), then connect it to the center leg of VR2505 (or TP2527) on the TX Unit.
- Adjust VR2505 so that the DC voltmeter reading is 1/4 of the voltage noted in the previous step.
- Release the PTT switch.

1.8 MHz Band	1.850 MHz, USB
3.5 MHz Band	3.570 MHz, USB
7 MHz Band	7.100 MHz, USB
10 MHz Band	10.100 MHz, USB
14 MHz Band	14.200 MHz, USB
18 MHz Band	18.100 MHz, USB
21 MHz Band	21.200 MHz, USB
24.5 MHz Band	24.900 MHz, USB
28 MHz Band	28.700 MHz, USB
50 MHz Band	52.000 MHz, USB

ALIGNMENT PARAMETER	J2516			SWR METER	TEMP/SWR METER
	PIN 2	PIN 3	VOLTAGE RATIO		
C61A	-7.0 V	-1.4 V	5:1	1.5	1.5
C61b	-4.2 V	-1.4 V	3:1	2.0	2.0
C61c	-2.8 V	-1.4 V	2:1	3.0	3.0
C62A	-7.0 V	-1.4 V	5:1	1.5	1.5
C62b	-4.2 V	-1.4 V	3:1	2.0	2.0
C62c	-2.8 V	-1.4 V	2:1	3.0	3.0
C63A	-7.0 V	-1.4 V	5:1	1.5	1.5
C63b	-4.2 V	-1.4 V	3:1	2.0	2.0
C63c	-2.8 V	-1.4 V	2:1	3.0	3.0

# Alignment

- ❑ Press and hold in the [ANT1], [ANT3], and [RX ANT] keys, while turning the radio on, to enter the alignment mode.
- ❑ Apply a -7.0 V DC voltage to pin 2 of J2516, and -0.7 V DC to pin 3 of J2516.
- ❑ Rotate the Main Dial knob to select the alignment parameter "C61A."
- ❑ Press the PTT switch, then rotate the CLAR/VFO-B knob for an SWR reading of 1.5 on the SWR meter.
- ❑ Release the PTT switch.
- ❑ Perform the same procedures for the Alignment Menus "C61b" through "C63c," per the chart below.
- ❑ Press and hold in the [MNU] key for 2 seconds to exit from the alignment mode.
- ❑ Re-connect the 3-pin plug to J2516.

## IDD Meter Adjustment

- ❑ Connect the 50-Ohm Dummy Load and Wattmeter to the "ANT 1" Jack, then set the METER switch to the "IDD" position.
- ❑ Remove the fuse from FH7501 on the PA-B Unit (D/Contest version), or the fuses from the FH4001 and FH4002 on the PA-A Unit (MP version).
- ❑ Connect the DC ammeter across FH7501 (D/Contest version), or across FH4001 and FH4002 (in parallel) (MP version).
- ❑ Set the MAIN Band (VFO-A) frequency to 14.200 MHz in the CW mode.
- ❑ Press and hold in the [ANT1], [ANT3], and [RX ANT] keys, while turning the radio on, to enter the alignment mode.
- ❑ Rotate the Main Dial knob to select the alignment parameter "C64."
- ❑ Press the PTT switch, then rotate the CLAR/VFO-B knob so that the IDD meter reading is same as that on the DC ammeter.
- ❑ Press the [ENT] key, then release the PTT switch.
- ❑ Press and hold in the [MNU] key for 2 seconds to exit from the alignment mode.
- ❑ Re-connect the fuse into FH7501 (D/Contest version), or the fuses into FH4001 and FH4002 (MP version).

ALIGNMENT PARAMETER	J2516			SWR METER	TEMP/SWR METER
	PIN 2	PIN 3	VOLTAGE RATIO		
C61A	-7.0 V	-0.7 V	10:1	1.5	1.5
C61b	-4.2 V	-0.7 V	6:1	2.0	2.0
C61c	-2.8 V	-0.7 V	4:1	3.0	3.0
C62A	-7.0 V	-0.7 V	10:1	1.5	1.5
C62b	-4.2 V	-0.7 V	6:1	2.0	2.0
C62c	-2.8 V	-0.7 V	4:1	3.0	3.0
C63A	-7.0 V	-7.0 V	10:1	1.5	1.5
C63b	-4.2 V	-7.0 V	6:1	2.0	2.0
C63c	-2.8 V	-7.0 V	4:1	3.0	3.0

# Alignment

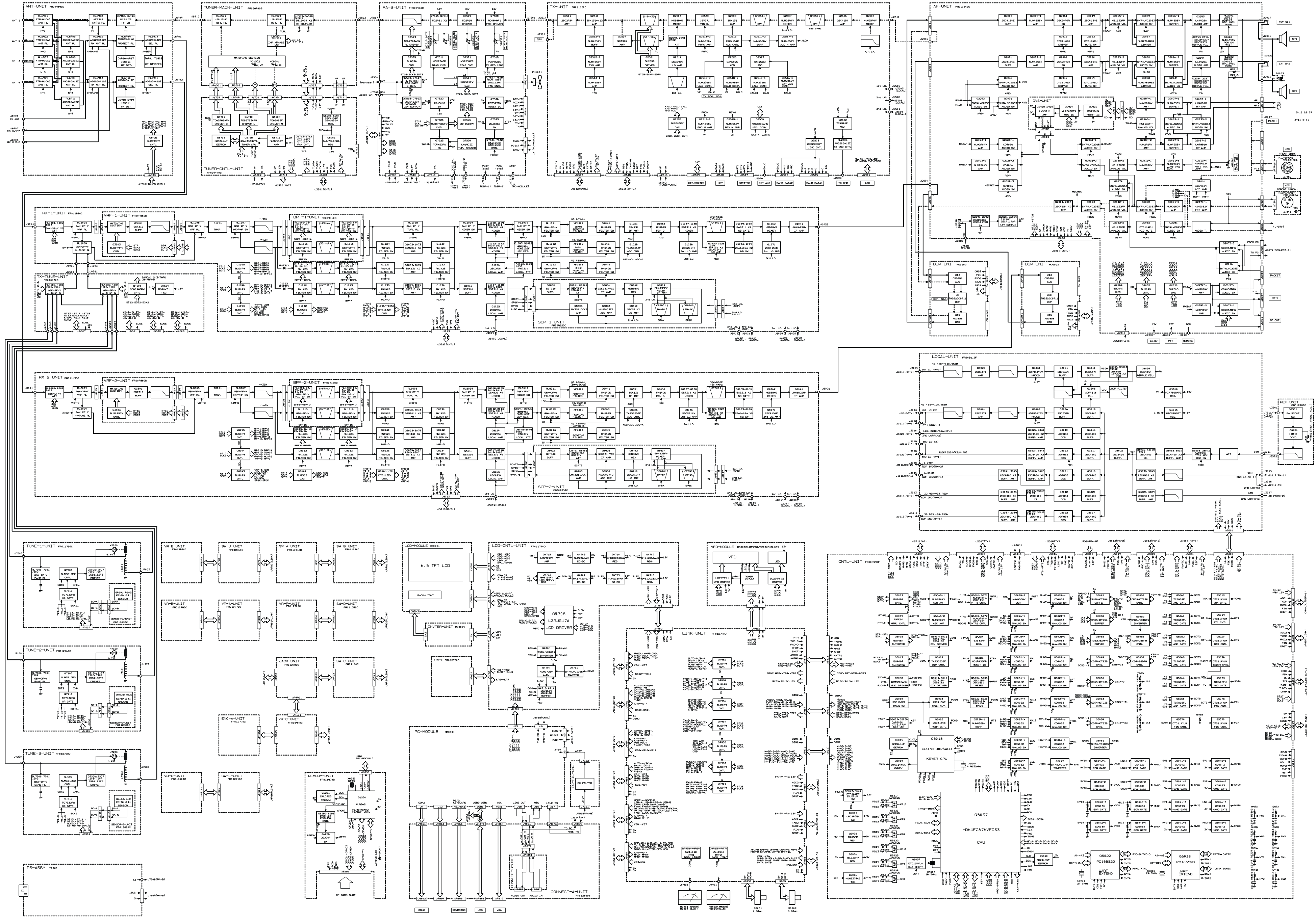
## *COMP Meter Adjustment*

- ❑ Press and hold in the [ANT1], [ANT3], and [RX ANT] keys, while turning the radio on, to enter the alignment mode.
- ❑ Set the METER switch to the "COMP" position.
- ❑ Rotate the Main Dial knob to select the alignment parameter "C65," then rotate the CLAR/VFO-B knob for "10 dB" on the COMP meter.
- ❑ Rotate the Main Dial knob to select the alignment parameter "C66," then rotate the CLAR/VFO-B knob for "20 dB" on the COMP meter.
- ❑ Rotate the Main Dial knob to select the alignment parameter "C67," then rotate the CLAR/VFO-B knob so that the COMP meter deflects to full scale.
- ❑ Press and hold in the [MNU] key for 2 seconds to exit from the alignment mode.

## *MIC Meter Adjustment*

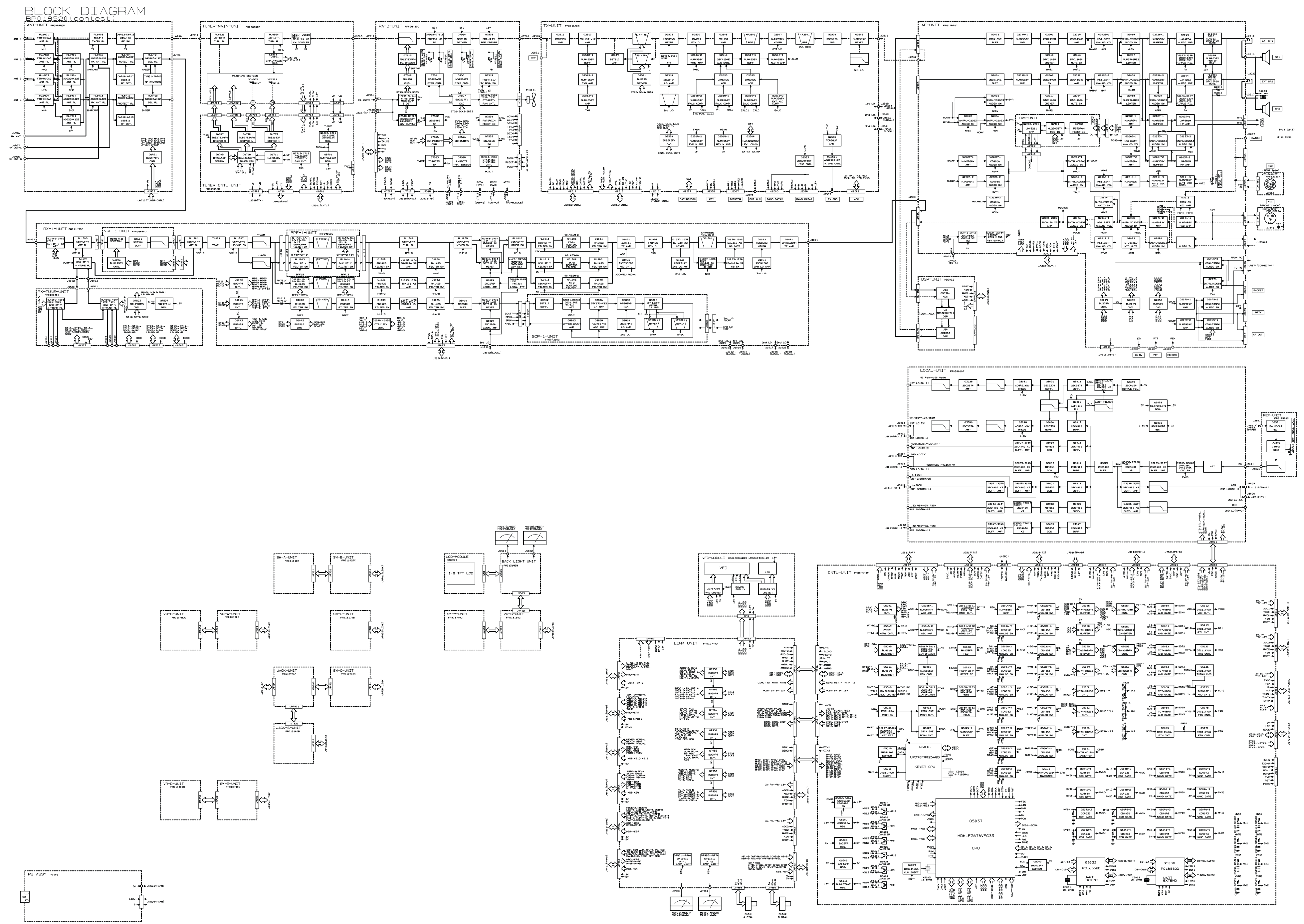
- ❑ Connect the 50-Ohm Dummy Load and Wattmeter to the "ANT 1" Jack, then set the METER switch to the "MIC" position.
- ❑ Connect the Audio Generator to pin 8 of the MIC jack (pin 7: GND) on the rear panel, then set the output level to 1 mV @1 kHz.
- ❑ Set the MAIN Band (VFO-A) frequency to 14.200 MHz in the USB mode.
- ❑ Turn off the PROC switch, then rotate the MIC knob to the 12 o'clock position.
- ❑ Press and hold in the [ANT1], [ANT3], and [RX ANT] keys, while turning the radio on, to enter the alignment mode.
- ❑ Rotate the Main Dial knob to select the alignment parameter "C68."
- ❑ Press the PTT switch, then rotate the CLAR/VFO-B knob so that the MIC meter deflects to the center (12 o'clock) position.
- ❑ Press the [ENT] key, then release the PTT switch.
- ❑ Rotate the Main Dial knob to select the alignment parameter "C69."
- ❑ Increase the Audio Generator output level to 2 mV.
- ❑ Press the PTT switch, then rotate the CLAR/VFO-B knob so that the MIC meter deflects to full scale.
- ❑ Press the [ENT] key, then release the PTT switch.
- ❑ Press and hold in the [MNU] key for 2 seconds to exit from the alignment mode.

BLOCK-DIAGRAM  
BP01B520 (D)



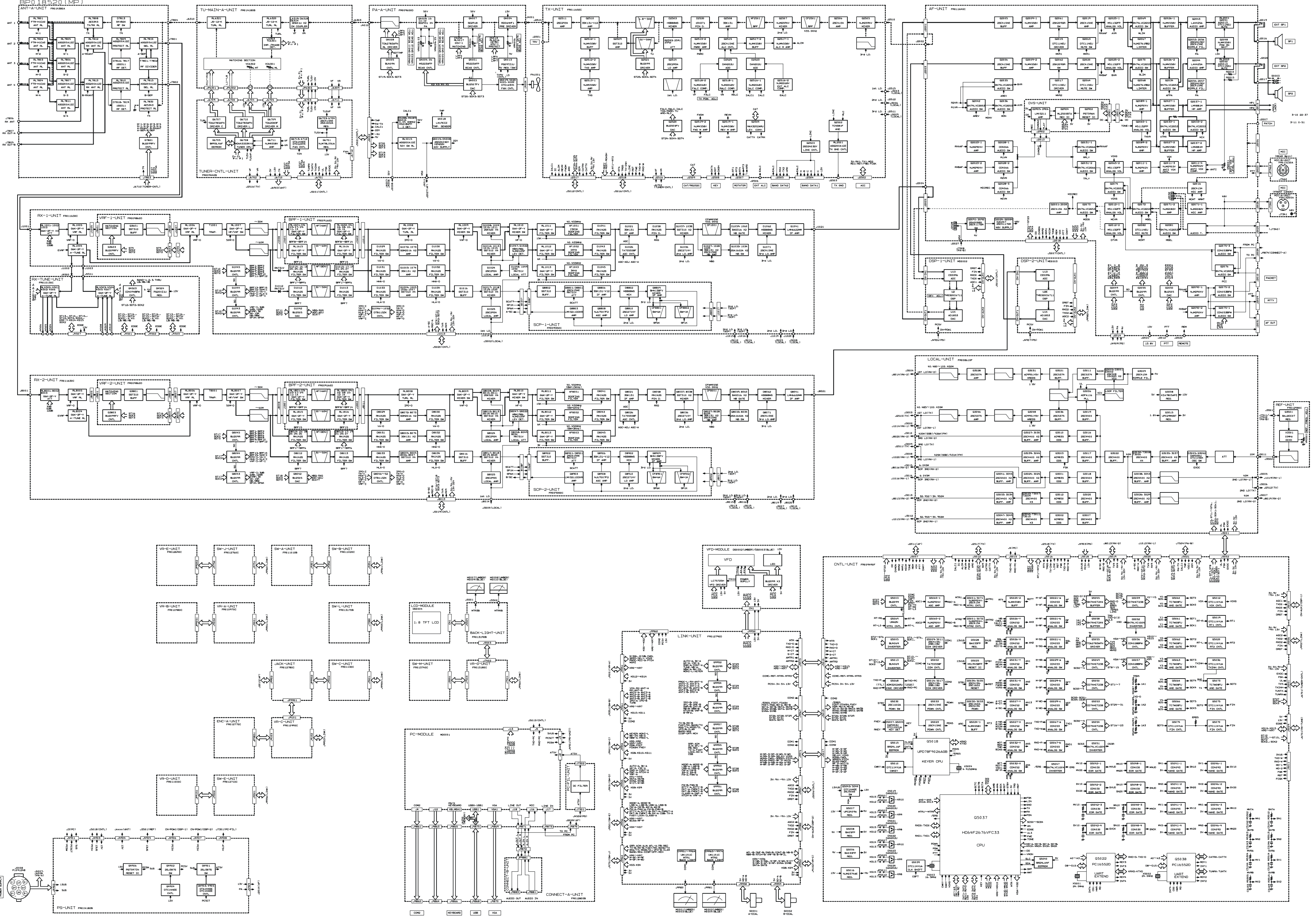


# Block Diagram (Contest Type)



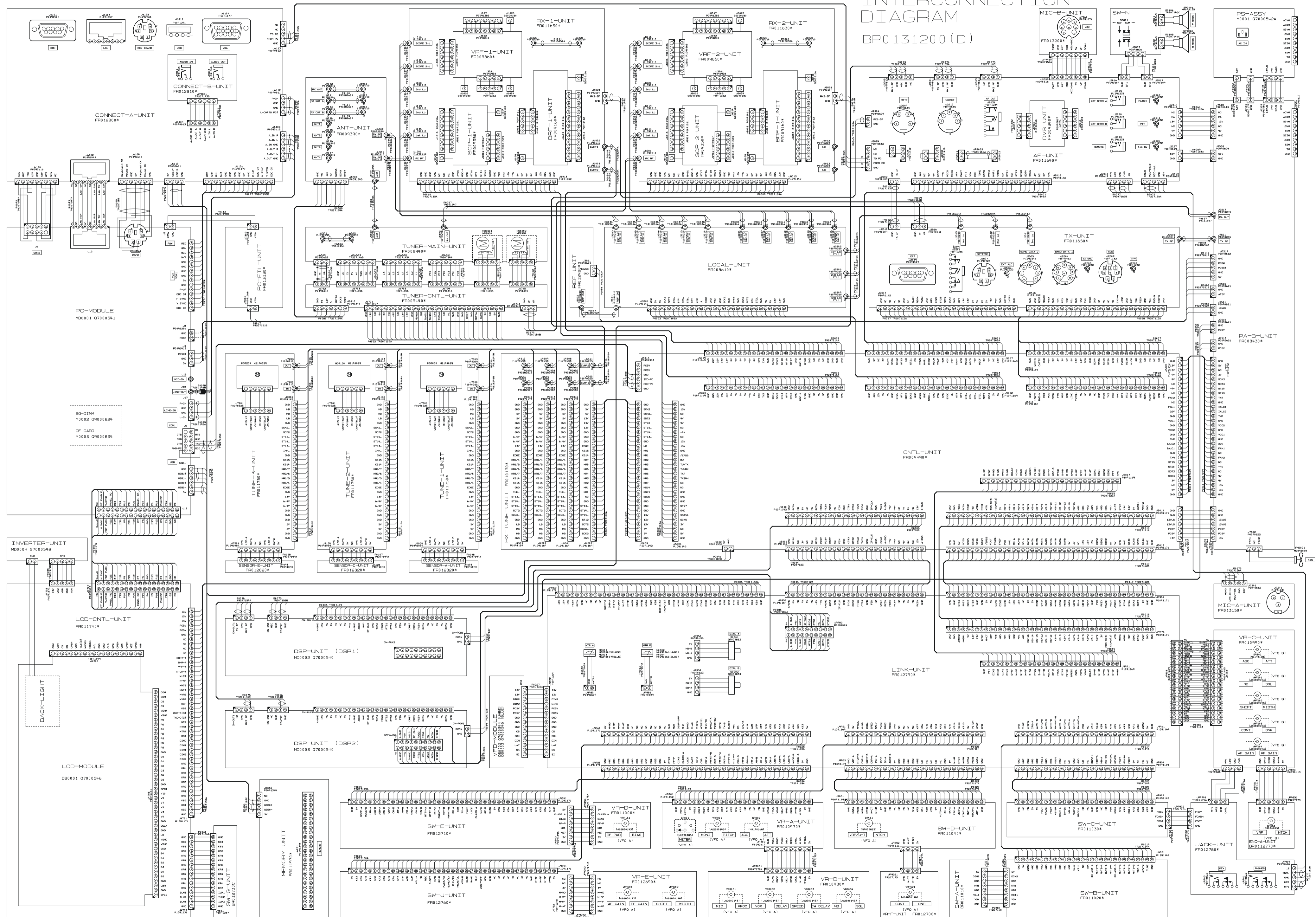
BLOCK DIAGRAM-2

BLOCK-DIAGRAM  
BP018520 (MP)

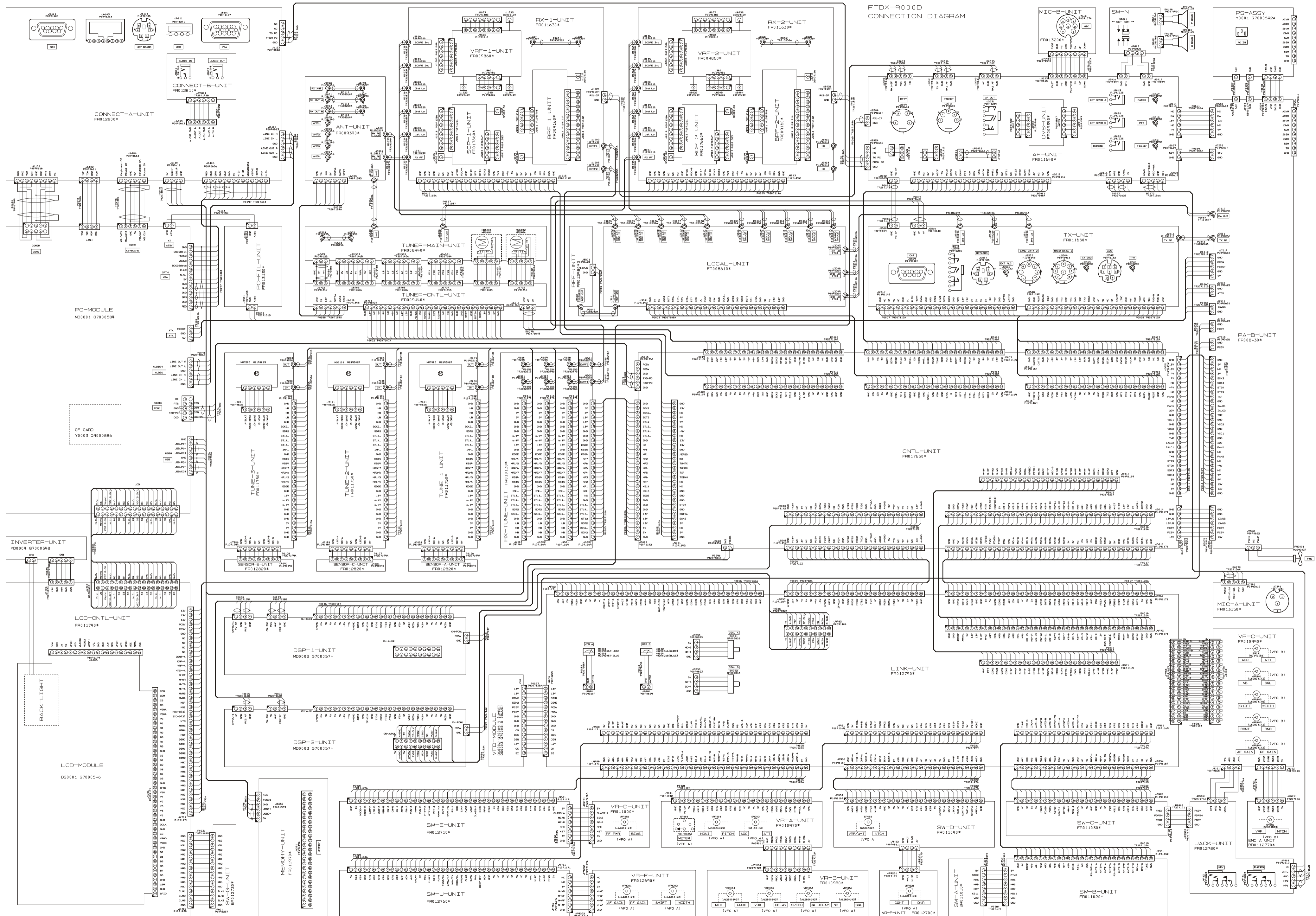


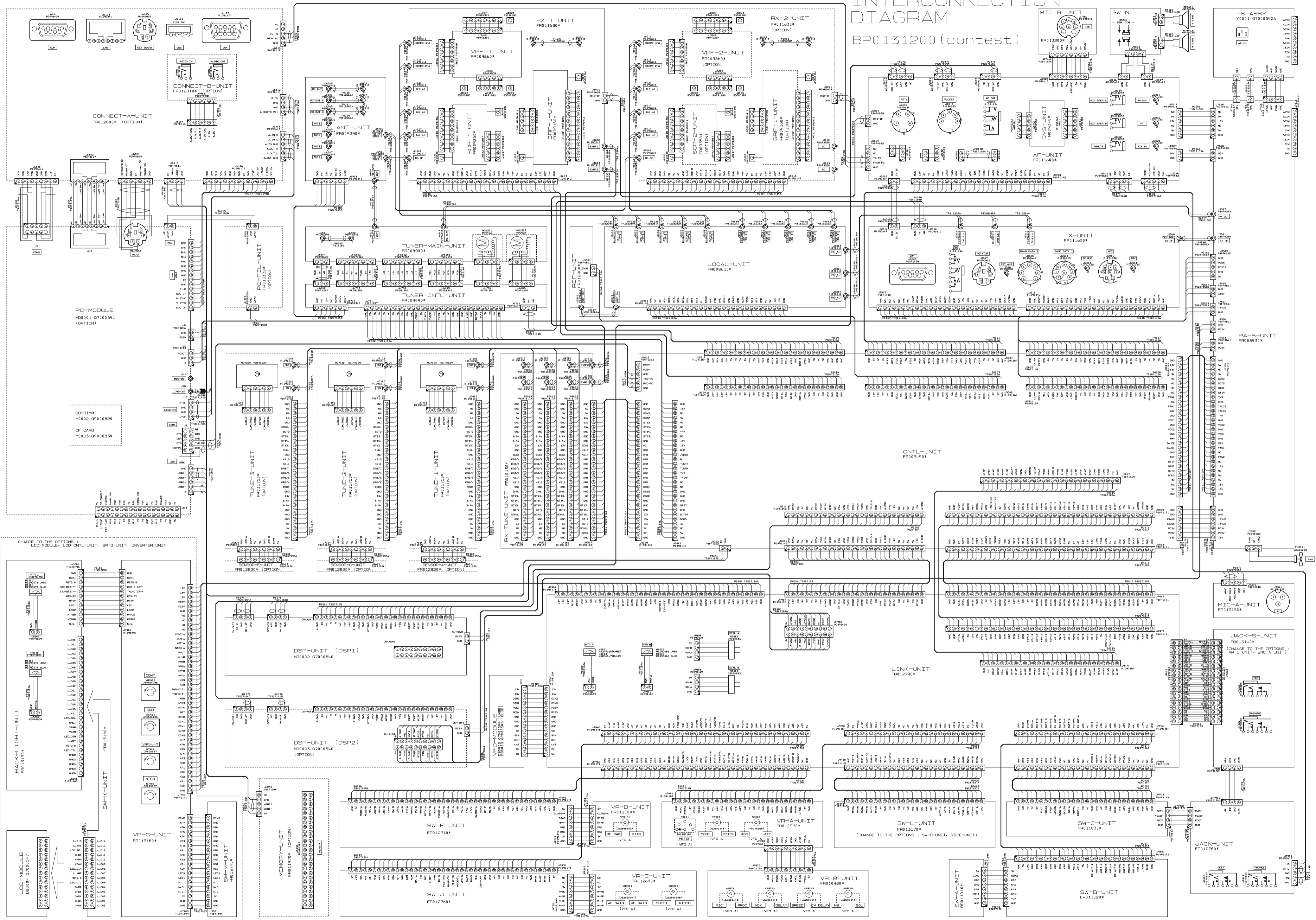
*Note*

# INTERCONNECTION DIAGRAM BP0131200 (D)



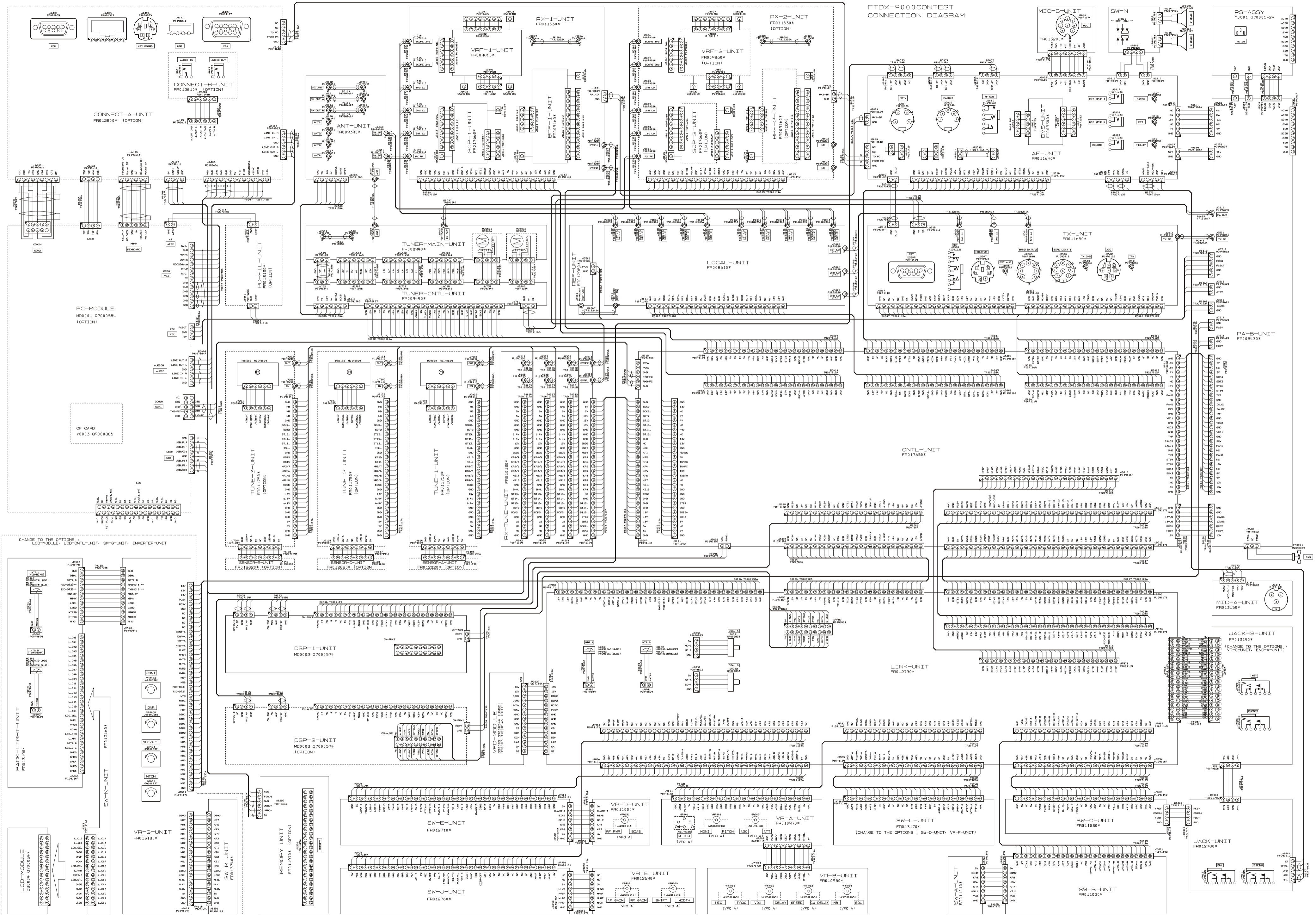
Interconnection Diagram (D Type) (Lot. 23~)





INTERCONNECTION  
DIAGRAM  
BP0131200 (contest)

Interconnection Diagram (Contest Type) (Lot. 23~)



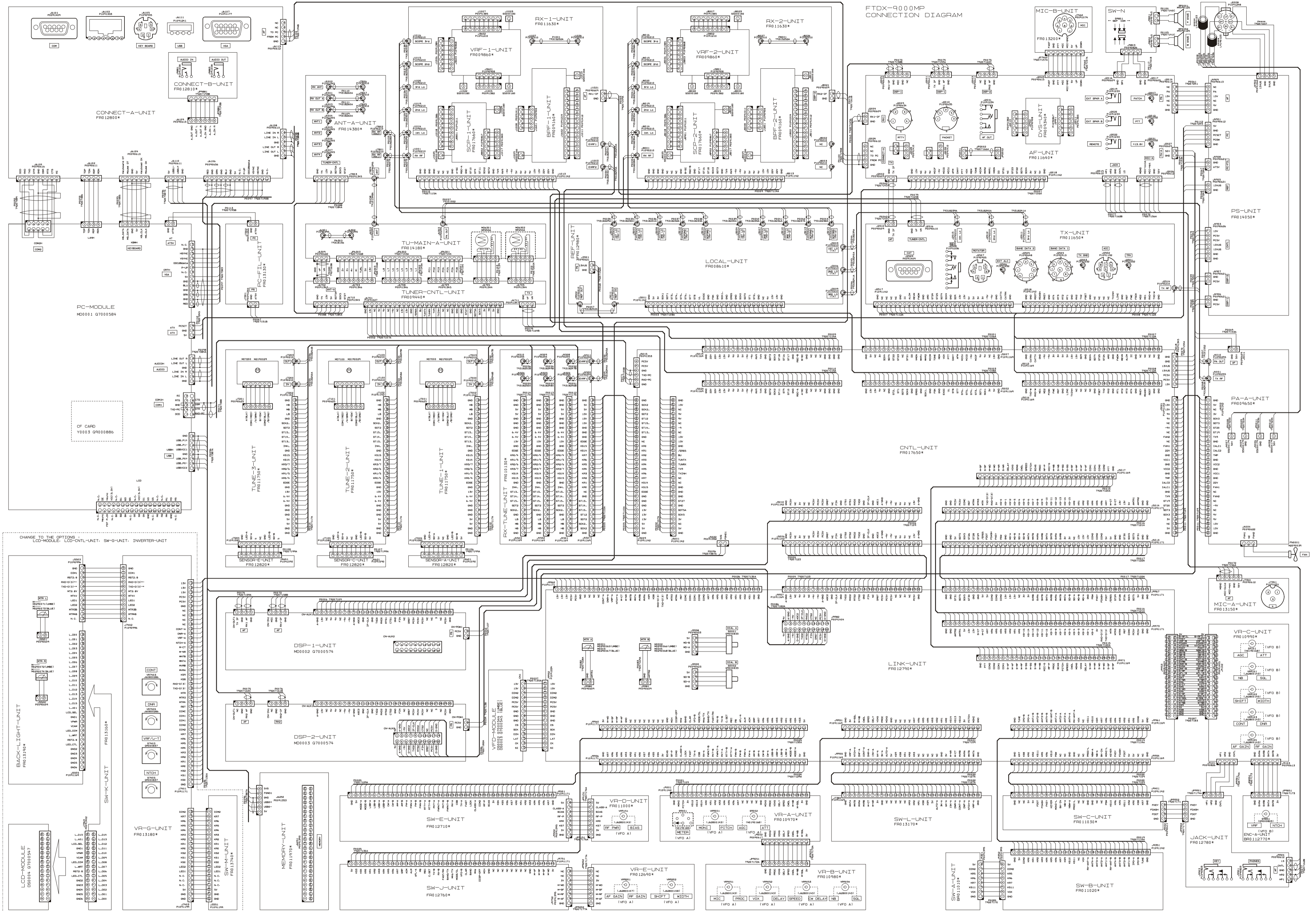
FTDX-9000CONTEST CONNECTION DIAGRAM

INTERCONNECTION DIAGRAM-4



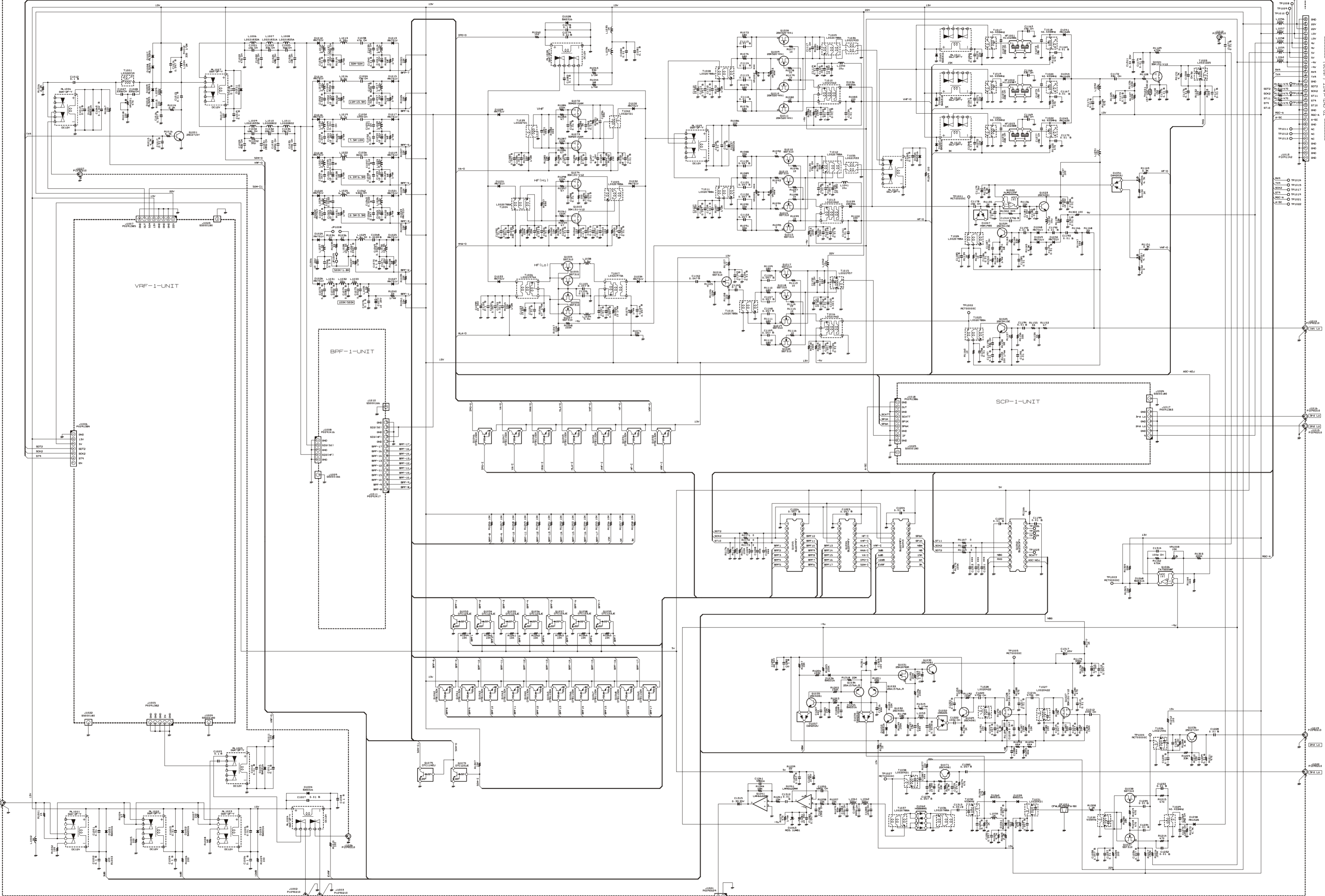


Interconnection Diagram (MP Type) (Lot. 23~)



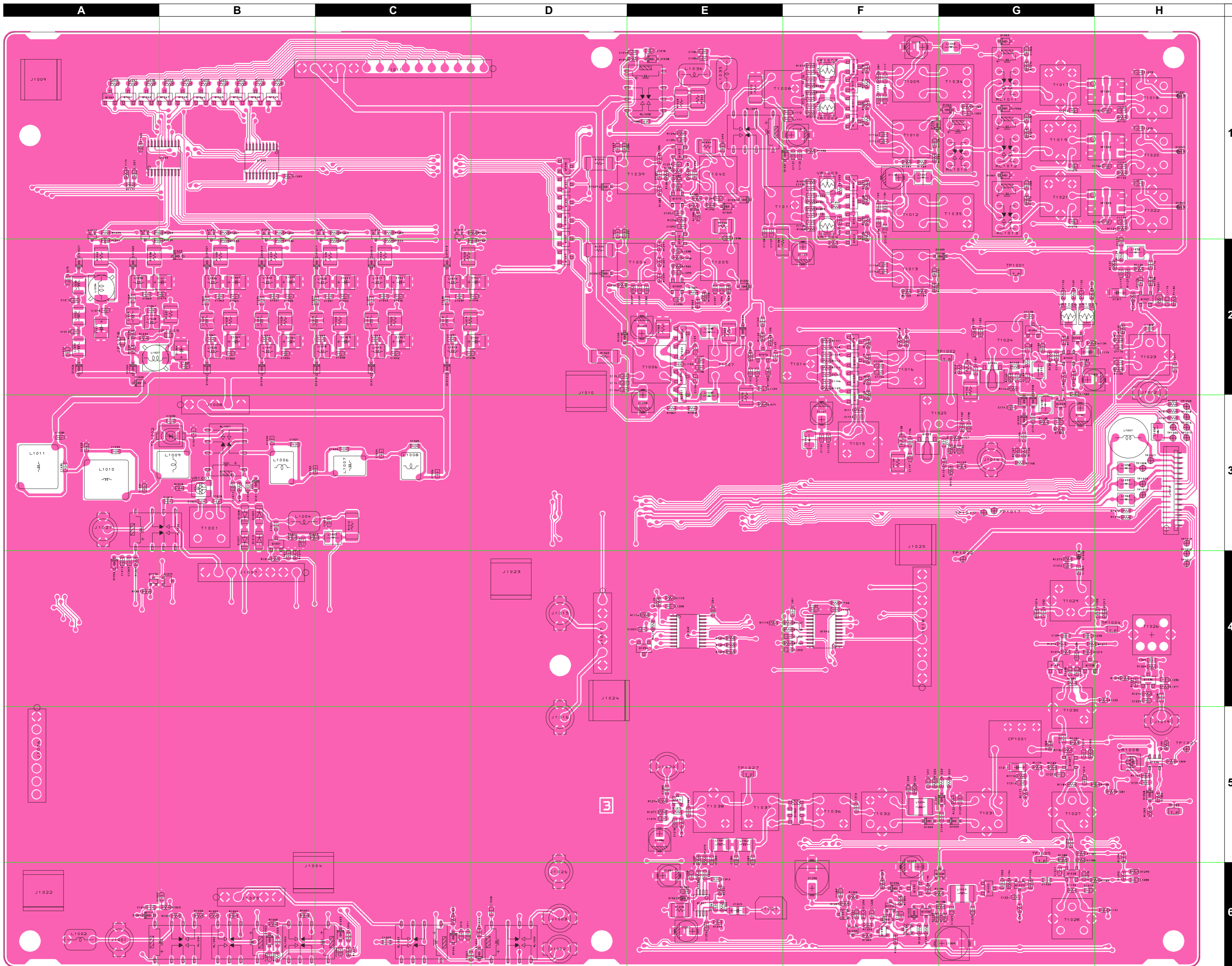
INTERCONNECTION DIAGRAM-6

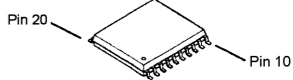
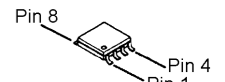
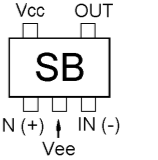
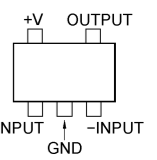
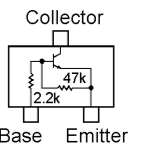
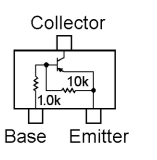
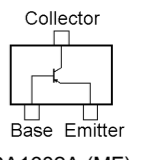
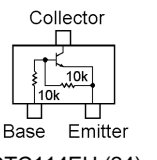
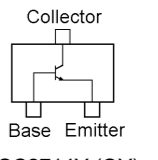
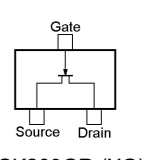
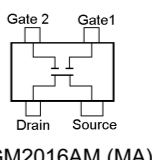
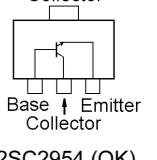
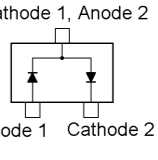
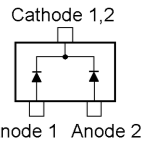
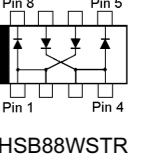
RX1-UNIT BR0 11630D (1000-1599)



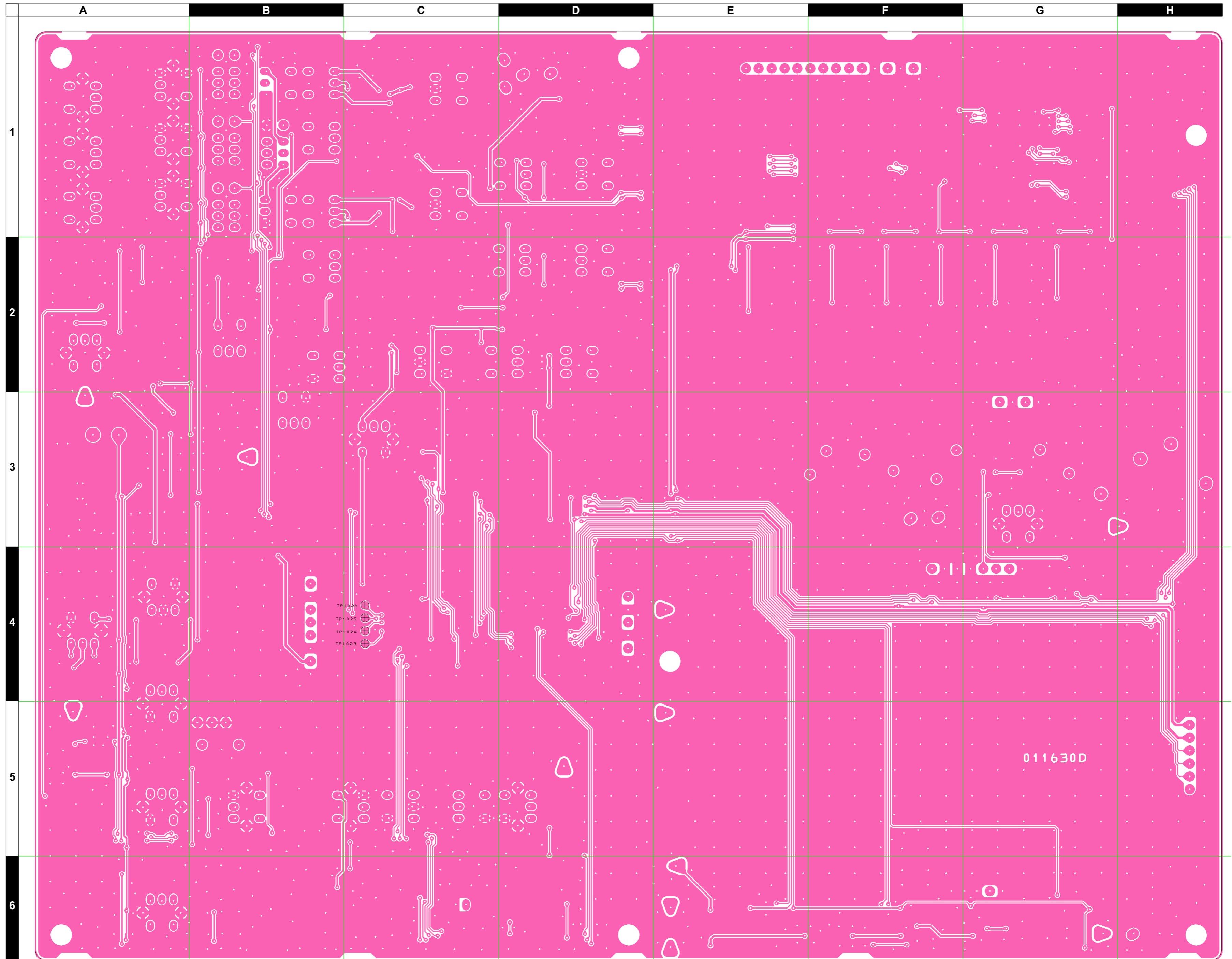
*RX-1 Unit*

*Note*



- |  |   |
|--|---|
| <br>Pin 10<br>BU2099FV-E2<br>(Q1043, 1044, 1045)  | <br>Pin 8<br>Pin 1<br>Pin 4<br>LMH6622MM<br>(Q1041)  |
| <br>Vcc OUT<br><b>SB</b><br>IN (+) IN (-)<br>Vee<br>TA75S558F (SB)<br>(Q1026)   | <br>-V OUTPUT<br>+INPUT -INPUT<br>GND<br>NJM2125F<br>(Q1022)   |
| <br>Collector<br>Base Emitter<br>DTC123JE (E42)<br>(Q1053, 1054,<br>1055, 1056, 1057,<br>1058, 1059)<br>(Q1070:Lot. 2-)         | <br>Collector<br>Base Emitter<br>DTB113ZK (G11)<br>(Q1046, 1047,<br>1048, 1049, 1050,<br>1051, 1052, 1060,<br>1061, 1062, 1063,<br>1064, 1065, 1066,<br>1067, 1068, 1069)  |
| <br>Collector<br>Base Emitter<br>2SA1602A (MF)<br>(Q1033, 1034)   | <br>Collector<br>Base Emitter<br>DTC114EU (24)<br>(Q1070:Lot. 1)<br>(Q1075:Lot. 2-)  |
| <br>Collector<br>Base Emitter<br>2SC2714Y (QY)<br>(Q1001, 1036)<br>2SC4154E (E)<br>(Q1023, 1029,<br>1030, 1032, 1035,<br>1071) | <br>Collector<br>Source Drain<br>2SK209GR (XG)<br>(Q1031)<br>2SK520 (K41)<br>(Q1008, 1009, 1010,<br>1011)<br>SST310 (Z0)<br>(Q1004, 1005, 1006,<br>1007, 1012, 1013,<br>1014, 1015, 1016,<br>1017, 1018, 1019,<br>1020, 1037, 1038) |
| <br>Gate 2 Gate1<br>Drain Source<br>SGM2016AM (MA)<br>(Q1072, 1073)<br>3SK131 (V12)<br>(Q1003, 1021,<br>1027, 1028, 1074)     | <br>Collector<br>Base Emitter<br>Collector<br>2SC2954 (QK)<br>(Q1024, 1025)  |
| <br>Cathode 1, Anode 2<br>Anode 1 Cathode 2<br>HSM198S (C6)<br>(D1047)<br>1SS226 (C3)<br>(D1052)                              | <br>Cathode 1,2<br>Anode 1 Anode 2<br>DAN202U (N)<br>(D1051, 1054,<br>1057)  |
| <br>Pin 8 Pin 5<br>Pin 1 Pin 4<br>HSB88WSTR<br>(D1062)  |   |

Side A



Side B

# RX-1 Unit

## Parts List

REF	DESCRIPTION	VALUE	V/W	TOL.	MFR'S DESIG	YAESU P/N	VERS.	LOT	SIDE	LAY ADR
PCB with Components						CB2739001		1-15		
						CB2739002	CE:OFF	16-		
						CB2739003	CE:ON	16-		
C 1001	CHIP CAP.	0.01uF	50V	B	GRM188B11H103KA01D	K22174823		1-	A	A6
C 1002	CHIP CAP.	0.1uF	16V	B	GRM188B11C104KA01D	K22124805		1-	A	B6
C 1003	CHIP CAP.	0.01uF	50V	B	GRM188B11H103KA01D	K22174823		1-	A	B6
C 1004	CHIP CAP.	0.1uF	16V	B	GRM188B11C104KA01D	K22124805		1-	A	B6
C 1005	CHIP CAP.	0.01uF	50V	B	GRM188B11H103KA01D	K22174823		1-	A	C6
C 1006	CHIP CAP.	0.1uF	16V	B	GRM188B11C104KA01D	K22124805		1-	A	C6
C 1007	CHIP CAP.	0.01uF	50V	B	GRM188B11H103KA01D	K22174823		1-	A	C6
C 1008	CHIP CAP.	0.1uF	16V	B	GRM188B11C104KA01D	K22124805		1-	A	D6
C 1009	CHIP CAP.	0.1uF	16V	B	GRM188B11C104KA01D	K22124805		1-	A	C6
C 1010	CHIP CAP.	0.01uF	50V	B	GRM188B11H103KA01D	K22174823		1-	A	C6
C 1011	CHIP CAP.	0.1uF	16V	B	GRM188B11C104KA01D	K22124805		1-	A	C6
C 1012	CHIP CAP.	0.1uF	16V	B	GRM188B11C104KA01D	K22124805		1-	A	B3
C 1013	CHIP CAP.	0.01uF	50V	B	GRM188B11H103KA01D	K22174823		1-	A	A4
C 1014	CHIP CAP.	0.047uF	16V	B	GRM39B473K16PT	K22124804		1-	A	C3
C 1014	CHIP CAP.	0.047uF	25V	B	GRM188B11E473KA01D	K22144811		27-	A	C3
C 1015	CHIP CAP.	0.01uF	50V	B	GRM188B11H103KA01D	K22174823		1-	A	B3
C 1016	CHIP CAP.	0.047uF	16V	B	GRM39B473K16PT	K22124804		1-	A	B3
C 1016	CHIP CAP.	0.047uF	25V	B	GRM188B11E473KA01D	K22144811		27-	A	B3
C 1017	CHIP CAP.	0.01uF	50V	B	GRM188B11H103KA01D	K22174823		1-	A	B4
C 1018	CHIP CAP.	0.01uF	50V	B	GRM188B11H103KA01D	K22174823		1-	A	B3
C 1019	CHIP CAP.	0.1uF	16V	B	GRM188B11C104KA01D	K22124805		1-	A	B3
C 1020	CHIP CAP.	47pF	50V	CH	GRM1882C1H470JA01D	K22174227		1-	A	B3
C 1021	CHIP CAP.	10pF	50V	CH	GRM1882C1H100RZ01D	K22174248		1-	A	B3
C 1022	CHIP CAP.	100pF	50V	CH	GRM1882C1H101JA01D	K22174235		1-	A	B3
C 1023	CHIP CAP.	33pF	50V	CH	GRM1882C1H330JA01D	K22174223		1-	A	C3
C 1024	CHIP CAP.	68pF	50V	CH	GRM1882C1H680JA01D	K22174231		1-	A	C3
C 1025	CHIP CAP.	56pF	50V	CH	GRM1882C1H560JA01D	K22174229		1-	A	C3
C 1026	CHIP CAP.	12pF	50V	CH	GRM1882C1H120JA01D	K22174213		2-	A	C3
C 1027	CHIP CAP.	330pF	50V	CH	GRM1882C1H331JA01D	K22174253		1-	A	B3
C 1028	CHIP CAP.	330pF	50V	CH	GRM1882C1H331JA01D	K22174253		1-	A	B3
C 1029	CHIP CAP.	82pF	50V	CH	GRM1882C1H820JA01D	K22174233		1-	A	B3
C 1030	CHIP CAP.	68pF	50V	CH	GRM1882C1H680JA01D	K22174231		1-	A	B3
C 1031	CHIP CAP.	180pF	50V	CH	GRM1882C1H181JA01D	K22174241		1-	A	A3
C 1032	CHIP CAP.	22pF	50V	CH	GRM1882C1H220JA01D	K22174219		1-	A	A3
C 1033	CHIP CAP.	220pF	50V	CH	GRM1882C1H221JA01D	K22174243		1-	A	A3
C 1034	CHIP CAP.	15pF	50V	CH	GRM1882C1H150JA01D	K22174215		1-	A	A3
C 1035	CHIP CAP.	100pF	50V	CH	GRM1882C1H101JA01D	K22174235		1-	A	A3
C 1036	CHIP CAP.	0.01uF	50V	B	GRM188B11H103KA01D	K22174823		1-	A	C2
C 1037	CHIP CAP.	150pF	50V	CH	GRM1882C1H151JA01D	K22174239		1-	A	C2
C 1038	CHIP CAP.	47pF	50V	CH	GRM1882C1H470JA01D	K22174227		1-	A	C2
C 1039	CHIP CAP.	150pF	50V	CH	GRM1882C1H151JA01D	K22174239		1-	A	C2
C 1040	CHIP CAP.	0.01uF	50V	B	GRM188B11H103KA01D	K22174823		1-	A	D2
C 1041	CHIP TA.CAP.	10uF	20V		TEESVB21D106M8R	K78130028		1-	A	D2
C 1042	CHIP CAP.	0.022uF	25V	B	GRM39B223K25PT	K22144807		1-	A	C2
C 1042	CHIP CAP.	0.022uF	50V	B	GRM188B11H223KA01D	K22174839		27-	A	C2
C 1043	CHIP CAP.	820pF	50V	B	GRM188B11H821KA01D	K22174808		1-	A	C2
C 1044	CHIP CAP.	75pF	50V	CH	GRM1882C1H750JZ01D	K22174232		1-	A	C2
C 1045	CHIP CAP.	820pF	50V	B	GRM188B11H821KA01D	K22174808		1-	A	C2
C 1046	CHIP CAP.	0.022uF	25V	B	GRM39B223K25PT	K22144807		1-	A	C2
C 1046	CHIP CAP.	0.022uF	50V	B	GRM188B11H223KA01D	K22174839		27-	A	C2
C 1047	CHIP TA.CAP.	10uF	20V		TEESVB21D106M8R	K78130028		1-	A	C2
C 1048	CHIP CAP.	0.047uF	16V	B	GRM39B473K16PT	K22124804		1-	A	C2
C 1048	CHIP CAP.	0.047uF	25V	B	GRM188B11E473KA01D	K22144811		27-	A	C2
C 1049	CHIP CAP.	0.001uF	25V	CH	GRM1882C1E102JA01D	K22144204		1-	A	C2
C 1050	CHIP CAP.	120pF	50V	CH	GRM1882C1H121JA01D	K22174237		1-	A	C2
C 1051	CHIP CAP.	0.001uF	25V	CH	GRM1882C1E102JA01D	K22144204		1-	A	C2
C 1052	CHIP CAP.	0.047uF	16V	B	GRM39B473K16PT	K22124804		1-	A	C2
C 1052	CHIP CAP.	0.047uF	25V	B	GRM188B11E473KA01D	K22144811		27-	A	C2
C 1053	CHIP TA.CAP.	10uF	20V		TEESVB21D106M8R	K78130028		1-	A	C2
C 1054	CHIP CAP.	0.047uF	16V	B	GRM39B473K16PT	K22124804		1-	A	B2
C 1054	CHIP CAP.	0.047uF	25V	B	GRM188B11E473KA01D	K22144811		27-	A	B2
C 1055	CHIP CAP.	0.0012uF	50V	B	GRM188B11H122KA01D	K22174826		1-	A	B2
C 1056	CHIP CAP.	300pF	50V	CH	GRM1882C1H301JA01D	K22174252		1-	A	B2
C 1057	CHIP CAP.	0.0012uF	50V	B	GRM188B11H122KA01D	K22174826		1-	A	B2
C 1058	CHIP CAP.	0.047uF	16V	B	GRM39B473K16PT	K22124804		1-	A	B2
C 1058	CHIP CAP.	0.047uF	25V	B	GRM188B11E473KA01D	K22144811		27-	A	B2
C 1059	CHIP TA.CAP.	10uF	20V		TEESVB21D106M8R	K78130028		1-	A	B2
C 1060	CHIP CAP.	0.047uF	16V	B	GRM39B473K16PT	K22124804		1-	A	B2
C 1060	CHIP CAP.	0.047uF	25V	B	GRM188B11E473KA01D	K22144811		27-	A	B2
C 1061	CHIP CAP.	0.0022uF	50V	B	GRM188B11H222KA01D	K22174822		1-	A	B2

# RX-1 Unit

## Parts List

REF	DESCRIPTION	VALUE	V/W	TOL.	MFR'S DESIG	YAESU P/N	VERS.	LOT	SIDE	LAY ADR
C 1062	CHIP CAP.	430pF	50V	CH	GRM1882C1H431JA01D	K22174256		1-	A	B2
C 1063	CHIP CAP.	0.0022uF	50V	B	GRM188B11H222KA01D	K22174822		1-	A	B2
C 1064	CHIP CAP.	0.047uF	16V	B	GRM39B473K16PT	K22124804		1-	A	B2
C 1064	CHIP CAP.	0.047uF	25V	B	GRM188B11E473KA01D	K22144811		27-	A	B2
C 1065	CHIP TA.CAP.	10uF	20V		TEESVB21D106M8R	K78130028		1-	A	B2
C 1066	CHIP CAP.	0.1uF	16V	B	GRM188B11C104KA01D	K22124805		1-	A	B2
C 1067	CHIP CAP.	0.0027uF	50V	B	GRM188B11H272KA01D	K22174829		1-	A	A2
C 1068	CHIP CAP.	0.0039uF	50V	B	GRM188B11H392KA01D	K22174830		1-	A	A2
C 1069	CHIP CAP.	0.0027uF	50V	B	GRM188B11H272KA01D	K22174829		1-	A	A2
C 1070	CHIP CAP.	0.1uF	16V	B	GRM188B11C104KA01D	K22124805		1-	A	B2
C 1071	CHIP TA.CAP.	10uF	20V		TEESVB21D106M8R	K78130028		1-	A	B2
C 1072	CHIP CAP.	0.0022uF	50V	B	GRM188B11H222KA01D	K22174822		1-	A	A2
C 1073	CHIP CAP.	0.0082uF	25V	B	GRM39B822M25PT	K22144801		1-	A	A2
C 1073	CHIP CAP.	0.0082uF	50V	B	GRM188B11H822KA01D	K22174837		27-	A	A2
C 1074	CHIP CAP.	0.0082uF	25V	B	GRM39B822M25PT	K22144801		1-	A	A2
C 1074	CHIP CAP.	0.0082uF	50V	B	GRM188B11H822KA01D	K22174837		27-	A	A2
C 1075	CHIP CAP.	0.0022uF	50V	B	GRM188B11H222KA01D	K22174822		1-	A	A2
C 1076	CHIP CAP.	0.1uF	16V	B	GRM188B11C104KA01D	K22124805		1-	A	A2
C 1077	CHIP TA.CAP.	10uF	20V		TEESVB21D106M8R	K78130028		1-	A	A2
C 1078	CHIP CAP.	0.1uF	16V	B	GRM188B11C104KA01D	K22124805		1-	A	E1
C 1079	CHIP CAP.	0.01uF	50V	B	GRM188B11H103KA01D	K22174823		1-	A	E1
C 1080	CHIP CAP.	0.01uF	50V	B	GRM188B11H103KA01D	K22174823		1-	A	E1
C 1081	CHIP CAP.	0.1uF	16V	B	GRM188B11C104KA01D	K22124805		1-	A	E1
C 1082	CHIP CAP.	0.1uF	16V	B	GRM188B11C104KA01D	K22124805		1-	A	E1
C 1083	CHIP CAP.	0.047uF	16V	B	GRM39B473K16PT	K22124804		1-	A	D1
C 1083	CHIP CAP.	0.047uF	25V	B	GRM188B11E473KA01D	K22144811		27-	A	D1
C 1084	CHIP CAP.	0.001uF	50V	B	GRM188B11H102KA01D	K22174821		1-	A	D1
C 1090	CHIP CAP.	0.01uF	50V	B	GRM188B11H103KA01D	K22174823		1-	A	E1
C 1091	CHIP CAP.	0.001uF	50V	B	GRM188B11H102KA01D	K22174821		1-	A	D1
C 1092	CHIP CAP.	0.01uF	50V	B	GRM188B11H103KA01D	K22174823		1-	A	D1
C 1093	CHIP CAP.	0.01uF	50V	B	GRM188B11H103KA01D	K22174823		1-	A	E1
C 1094	CHIP CAP.	0.01uF	50V	B	GRM188B11H103KA01D	K22174823		1-	A	E2
C 1095	CHIP CAP.	0.01uF	50V	B	GRM188B11H103KA01D	K22174823		1-	A	E2
C 1096	CHIP CAP.	0.01uF	50V	B	GRM188B11H103KA01D	K22174823		1-	A	E2
C 1097	CHIP CAP.	0.001uF	50V	B	GRM188B11H102KA01D	K22174821		1-	A	E2
C 1098	CHIP CAP.	0.01uF	50V	B	GRM188B11H103KA01D	K22174823		1-	A	E1
C 1099	AL.ELECTRO.CAP.	10uF	35V		ECEV1VA100WR	K48160004		1-	A	E3
C 1099	AL.ELECTRO.CAP.	10uF	35V		EEE1VA100WR	K48160006		9-	A	E3
C 1100	CHIP CAP.	0.1uF	16V	B	GRM188B11C104KA01D	K22124805		1-	A	D2
C 1101	CHIP CAP.	0.047uF	16V	B	GRM39B473K16PT	K22124804		1-	A	D2
C 1101	CHIP CAP.	0.047uF	25V	B	GRM188B11E473KA01D	K22144811		27-	A	D2
C 1102	CHIP CAP.	0.001uF	50V	B	GRM188B11H102KA01D	K22174821		1-	A	D2
C 1103	AL.ELECTRO.CAP.	10uF	35V		ECEV1VA100WR	K48160004		1-	A	E2
C 1103	AL.ELECTRO.CAP.	10uF	35V		EEE1VA100WR	K48160006		9-	A	E2
C 1104	CHIP CAP.	0.01uF	50V	B	GRM188B11H103KA01D	K22174823		1-	A	E2
C 1105	CHIP CAP.	0.047uF	16V	B	GRM39B473K16PT	K22124804		1-	A	E2
C 1105	CHIP CAP.	0.047uF	25V	B	GRM188B11E473KA01D	K22144811		27-	A	E2
C 1106	CHIP CAP.	0.01uF	50V	B	GRM188B11H103KA01D	K22174823		1-	A	E2
C 1107	CHIP CAP.	0.01uF	50V	B	GRM188B11H103KA01D	K22174823		1-	A	E2
C 1108	CHIP CAP.	0.047uF	16V	B	GRM39B473K16PT	K22124804		1-	A	E2
C 1108	CHIP CAP.	0.047uF	25V	B	GRM188B11E473KA01D	K22144811		27-	A	E2
C 1109	CHIP CAP.	0.047uF	16V	B	GRM39B473K16PT	K22124804		1-	A	E2
C 1109	CHIP CAP.	0.047uF	25V	B	GRM188B11E473KA01D	K22144811		27-	A	E2
C 1110	AL.ELECTRO.CAP.	10uF	35V		ECEV1VA100WR	K48160004		1-	A	F1
C 1110	AL.ELECTRO.CAP.	10uF	35V		EEE1VA100WR	K48160006		9-	A	F1
C 1111	CHIP CAP.	0.047uF	16V	B	GRM39B473K16PT	K22124804		1-	A	F1
C 1111	CHIP CAP.	0.047uF	25V	B	GRM188B11E473KA01D	K22144811		27-	A	F1
C 1112	CHIP CAP.	0.001uF	50V	B	GRM188B11H102KA01D	K22174821		1-	A	F1
C 1113	CHIP CAP.	0.01uF	50V	B	GRM188B11H103KA01D	K22174823		1-	A	F1
C 1114	CHIP CAP.	0.01uF	50V	B	GRM188B11H103KA01D	K22174823		1-	A	F1
C 1115	CHIP CAP.	0.01uF	50V	B	GRM188B11H103KA01D	K22174823		1-	A	F1
C 1116	CHIP CAP.	0.01uF	50V	B	GRM188B11H103KA01D	K22174823		1-	A	F1
C 1117	CHIP CAP.	15pF	50V	CH	GRM1882C1H150JA01D	K22174215		1-	A	F1
C 1118	AL.ELECTRO.CAP.	10uF	35V		ECEV1VA100WR	K48160004		1-	A	F1
C 1118	AL.ELECTRO.CAP.	10uF	35V		EEE1VA100WR	K48160006		9-	A	F1
C 1119	CHIP CAP.	0.01uF	50V	B	GRM188B11H103KA01D	K22174823		1-	A	F1
C 1120	CHIP CAP.	0.001uF	50V	B	GRM188B11H102KA01D	K22174821		1-	A	F1
C 1122	CHIP CAP.	0.001uF	50V	B	GRM188B11H102KA01D	K22174821		1-	A	F1
C 1123	CHIP CAP.	0.01uF	50V	B	GRM188B11H103KA01D	K22174823		1-	A	F1
C 1124	CHIP CAP.	0.01uF	50V	B	GRM188B11H103KA01D	K22174823		1-	A	F1
C 1125	CHIP CAP.	0.01uF	50V	B	GRM188B11H103KA01D	K22174823		1-	A	F1
C 1126	CHIP CAP.	0.1uF	16V	B	GRM188B11C104KA01D	K22124805		1-	A	F1
C 1127	AL.ELECTRO.CAP.	10uF	35V		ECEV1VA100WR	K48160004		1-	A	F2

# RX-1 Unit

## Parts List

REF	DESCRIPTION	VALUE	V/W	TOL.	MFR'S DESIG	YAESU P/N	VERS.	LOT	SIDE	LAY ADR
C 1127	AL.ELECTRO.CAP.	10uF	35V		EEE1VA100WR	K48160006		9-	A	F2
C 1128	CHIP CAP.	0.047uF	16V	B	GRM39B473K16PT	K22124804		1-	A	E1
C 1128	CHIP CAP.	0.047uF	25V	B	GRM188B11E473KA01D	K22144811		27-	A	E1
C 1129	CHIP CAP.	0.001uF	50V	B	GRM188B11H102KA01D	K22174821		1-	A	E1
C 1130	CHIP CAP.	0.047uF	16V	B	GRM39B473K16PT	K22124804		1-	A	F1
C 1130	CHIP CAP.	0.047uF	25V	B	GRM188B11E473KA01D	K22144811		27-	A	F1
C 1131	CHIP CAP.	0.047uF	16V	B	GRM39B473K16PT	K22124804		1-	A	F1
C 1131	CHIP CAP.	0.047uF	25V	B	GRM188B11E473KA01D	K22144811		27-	A	F1
C 1132	CHIP CAP.	0.047uF	16V	B	GRM39B473K16PT	K22124804		1-	A	F1
C 1132	CHIP CAP.	0.047uF	25V	B	GRM188B11E473KA01D	K22144811		27-	A	F1
C 1133	CHIP CAP.	0.047uF	16V	B	GRM39B473K16PT	K22124804		1-	A	F1
C 1133	CHIP CAP.	0.047uF	25V	B	GRM188B11E473KA01D	K22144811		27-	A	F1
C 1134	CHIP CAP.	15pF	50V	CH	GRM1882C1H150JA01D	K22174215		1-	A	F1
C 1135	AL.ELECTRO.CAP.	10uF	35V		ECEV1VA100WR	K48160004		1-	A	F1
C 1135	AL.ELECTRO.CAP.	10uF	35V		EEE1VA100WR	K48160006		9-	A	F1
C 1136	CHIP CAP.	0.01uF	50V	B	GRM188B11H103KA01D	K22174823		1-	A	F1
C 1137	CHIP CAP.	0.001uF	50V	B	GRM188B11H102KA01D	K22174821		1-	A	F1
C 1139	CHIP CAP.	0.001uF	50V	B	GRM188B11H102KA01D	K22174821		1-	A	F2
C 1140	CHIP CAP.	0.01uF	50V	B	GRM188B11H103KA01D	K22174823		1-	A	F2
C 1141	CHIP CAP.	0.01uF	50V	B	GRM188B11H103KA01D	K22174823		1-	A	F2
C 1142	CHIP CAP.	0.047uF	16V	B	GRM39B473K16PT	K22124804		1-	A	E2
C 1142	CHIP CAP.	0.047uF	25V	B	GRM188B11E473KA01D	K22144811		27-	A	E2
C 1143	CHIP CAP.	0.1uF	16V	B	GRM188B11C104KA01D	K22124805		1-	A	E2
C 1144	CHIP CAP.	0.01uF	50V	B	GRM188B11H103KA01D	K22174823		1-	A	E2
C 1145	CHIP CAP.	0.1uF	16V	B	GRM188B11C104KA01D	K22124805		1-	A	E2
C 1146	CHIP CAP.	0.047uF	16V	B	GRM39B473K16PT	K22124804		1-	A	F2
C 1146	CHIP CAP.	0.047uF	25V	B	GRM188B11E473KA01D	K22144811		27-	A	F2
C 1147	CHIP CAP.	0.047uF	16V	B	GRM39B473K16PT	K22124804		1-	A	F2
C 1147	CHIP CAP.	0.047uF	25V	B	GRM188B11E473KA01D	K22144811		27-	A	F2
C 1148	CHIP CAP.	0.047uF	16V	B	GRM39B473K16PT	K22124804		1-	A	F2
C 1148	CHIP CAP.	0.047uF	25V	B	GRM188B11E473KA01D	K22144811		27-	A	F2
C 1149	CHIP CAP.	0.047uF	16V	B	GRM39B473K16PT	K22124804		1-	A	F2
C 1149	CHIP CAP.	0.047uF	25V	B	GRM188B11E473KA01D	K22144811		27-	A	F2
C 1150	CHIP CAP.	18pF	50V	CH	GRM1882C1H180JA01D	K22174217		1-	A	F3
C 1151	AL.ELECTRO.CAP.	10uF	35V		ECEV1VA100WR	K48160004		1-	A	F3
C 1151	AL.ELECTRO.CAP.	10uF	35V		EEE1VA100WR	K48160006		9-	A	F3
C 1152	CHIP CAP.	0.01uF	50V	B	GRM188B11H103KA01D	K22174823		1-	A	F3
C 1153	CHIP CAP.	0.001uF	50V	B	GRM188B11H102KA01D	K22174821		1-	A	F3
C 1154	CHIP CAP.	0.001uF	50V	B	GRM188B11H102KA01D	K22174821		1-	A	F2
C 1155	CHIP CAP.	0.01uF	50V	B	GRM188B11H103KA01D	K22174823		1-	A	F2
C 1163	CHIP CAP.	10pF	50V	CH	GRM1882C1H100JA01D	K22174211		1-	A	H1
C 1164	CHIP CAP.	0.01uF	50V	B	GRM188B11H103KA01D	K22174823		1-	A	H1
C 1166	CHIP CAP.	33pF	50V	CH	GRM1882C1H330JA01D	K22174223		1-	A	H1
C 1167	CHIP CAP.	0.01uF	50V	B	GRM188B11H103KA01D	K22174823		1-	A	H1
C 1169	CHIP CAP.	68pF	50V	CH	GRM1882C1H680JA01D	K22174231		1-	A	H1
C 1170	CHIP CAP.	0.01uF	50V	B	GRM188B11H103KA01D	K22174823		1-	A	H1
C 1171	CHIP CAP.	0.01uF	50V	B	GRM188B11H103KA01D	K22174823		1-	A	H2
C 1172	CHIP CAP.	33pF	50V	CH	GRM1882C1H330JA01D	K22174223		1-	A	H2
C 1173	CHIP CAP.	0.01uF	50V	B	GRM188B11H103KA01D	K22174823		1-	A	H2
C 1174	CHIP CAP.	0.01uF	50V	B	GRM188B11H103KA01D	K22174823		1-	A	H2
C 1175	CHIP CAP.	0.01uF	50V	B	GRM188B11H103KA01D	K22174823		1-	A	H2
C 1176	CHIP CAP.	0.01uF	50V	B	GRM188B11H103KA01D	K22174823		1-	A	H2
C 1177	CHIP CAP.	0.01uF	50V	B	GRM188B11H103KA01D	K22174823		1-	A	H2
C 1178	CHIP CAP.	10pF	50V	CH	GRM1882C1H100JA01D	K22174211		1-	A	G2
C 1179	CHIP TA.CAP.	1uF	16V		TEESVA1C105M8R	K78120009		1-	A	G2
C 1180	CHIP CAP.	0.01uF	50V	B	GRM188B11H103KA01D	K22174823		1-	A	G2
C 1181	AL.ELECTRO.CAP.	10uF	35V		ECEV1VA100WR	K48160004		1-	A	G3
C 1181	AL.ELECTRO.CAP.	10uF	35V		EEE1VA100WR	K48160006		9-	A	G3
C 1182	CHIP CAP.	0.01uF	50V	B	GRM188B11H103KA01D	K22174823		1-	A	G2
C 1183	AL.ELECTRO.CAP.	10uF	35V		ECEV1VA100WR	K48160004		1-	A	G2
C 1183	AL.ELECTRO.CAP.	10uF	35V		EEE1VA100WR	K48160006		9-	A	G2
C 1184	CHIP CAP.	0.01uF	50V	B	GRM188B11H103KA01D	K22174823		1-	A	G2
C 1185	CHIP CAP.	0.01uF	50V	B	GRM188B11H103KA01D	K22174823		1-	A	G2
C 1186	CHIP CAP.	0.01uF	50V	B	GRM188B11H103KA01D	K22174823		1-	A	G2
C 1187	CHIP CAP.	330pF	50V	CH	GRM1882C1H331JA01D	K22174253		1-	A	G2
C 1188	CHIP CAP.	0.01uF	50V	B	GRM188B11H103KA01D	K22174823		1		
C 1189	CHIP CAP.	0.01uF	50V	B	GRM188B11H103KA01D	K22174823		1-	A	G2
C 1190	CHIP CAP.	0.01uF	50V	B	GRM188B11H103KA01D	K22174823		1-	A	G2
C 1191	CHIP CAP.	0.01uF	50V	B	GRM188B11H103KA01D	K22174823		1-	A	G3
C 1192	CHIP CAP.	0.01uF	50V	B	GRM188B11H103KA01D	K22174823		1-	A	G3
C 1193	CHIP CAP.	0.01uF	50V	B	GRM188B11H103KA01D	K22174823		1-	A	G3
C 1194	CHIP CAP.	0.01uF	50V	B	GRM188B11H103KA01D	K22174823		1-	A	G3
C 1195	CHIP CAP.	0.01uF	50V	B	GRM188B11H103KA01D	K22174823		1-	A	G3



# RX-1 Unit

## Parts List

REF	DESCRIPTION	VALUE	V/W	TOL.	MFR'S DESIG	YAESU P/N	VERS.	LOT	SIDE	LAY ADR
C 1196	CHIP.CAP.	180pF	50V	CH	GRM1882C1H181JA01D	K22174241		1-	A	F3
C 1196	CHIP.CAP.	47pF	50V	CH	GRM1882C1H470JA01D	K22174227		28-	A	F3
C 1196	CHIP.CAP.	33pF	50V	CH	GRM1882C1H330JA01D	K22174223		30-	A	F3
C 1197	CHIP.CAP.	0.01uF	50V	B	GRM188B11H103KA01D	K22174823		1-	A	F3
C 1198	CHIP.CAP.	0.01uF	50V	B	GRM188B11H103KA01D	K22174823		1-	A	G3
C 1199	CHIP.CAP.	0.01uF	50V	B	GRM188B11H103KA01D	K22174823		1-	A	F4
C 1200	CHIP.CAP.	0.01uF	50V	B	GRM188B11H103KA01D	K22174823		1-	A	F4
C 1204	CHIP.CAP.	0.01uF	50V	B	GRM188B11H103KA01D	K22174823		1-	A	E4
C 1205	CHIP.CAP.	0.047uF	16V	B	GRM39B473K16PT	K22124804		1-	A	B1
C 1205	CHIP.CAP.	0.047uF	25V	B	GRM188B11E473KA01D	K22144811		27-	A	B1
C 1206	CHIP.CAP.	0.047uF	16V	B	GRM39B473K16PT	K22124804		1-	A	A1
C 1206	CHIP.CAP.	0.047uF	25V	B	GRM188B11E473KA01D	K22144811		27-	A	A1
C 1210	CHIP.CAP.	0.047uF	16V	B	GRM39B473K16PT	K22124804		1-	A	G5
C 1210	CHIP.CAP.	0.047uF	25V	B	GRM188B11E473KA01D	K22144811		27-	A	G5
C 1211	CHIP TA.CAP.	1uF	16V		TEESVA1C105M8R	K78120009		1-	A	G5
C 1212	CHIP.CAP.	100pF	50V	CH	GRM1882C1H101JA01D	K22174235		1-	A	G5
C 1213	CHIP.CAP.	0.047uF	16V	B	GRM39B473K16PT	K22124804		1-	A	G5
C 1213	CHIP.CAP.	0.047uF	25V	B	GRM188B11E473KA01D	K22144811		27-	A	G5
C 1213	CHIP.CAP.	0.01uF	50V	B	GRM188B11H103KA01D	K22174823		30-	A	G5
C 1214	CHIP.CAP.	0.047uF	16V	B	GRM39B473K16PT	K22124804		1-	A	G5
C 1214	CHIP.CAP.	0.047uF	25V	B	GRM188B11E473KA01D	K22144811		27-	A	G5
C 1215	CHIP.CAP.	0.047uF	16V	B	GRM39B473K16PT	K22124804		1-	A	G5
C 1215	CHIP.CAP.	0.047uF	25V	B	GRM188B11E473KA01D	K22144811		27-	A	G5
C 1216	CHIP.CAP.	470pF	50V	CH	GRM1882C1H471JA01D	K22174249		1-	A	G5
C 1217	CHIP.CAP.	0.047uF	16V	B	GRM39B473K16PT	K22124804		1-	A	G6
C 1217	CHIP.CAP.	0.047uF	25V	B	GRM188B11E473KA01D	K22144811		27-	A	G6
C 1217	CHIP.CAP.	0.01uF	50V	B	GRM188B11H103KA01D	K22174823		30-	A	G6
C 1218	CHIP.CAP.	0.047uF	16V	B	GRM39B473K16PT	K22124804		1-	A	G6
C 1218	CHIP.CAP.	0.047uF	25V	B	GRM188B11E473KA01D	K22144811		27-	A	G6
C 1219	CHIP.CAP.	0.047uF	16V	B	GRM39B473K16PT	K22124804		1-	A	G6
C 1219	CHIP.CAP.	0.047uF	25V	B	GRM188B11E473KA01D	K22144811		27-	A	G6
C 1220	CHIP.CAP.	470pF	50V	CH	GRM1882C1H471JA01D	K22174249		1-	A	G6
C 1221	CHIP.CAP.	0.047uF	16V	B	GRM39B473K16PT	K22124804		1-	A	G6
C 1221	CHIP.CAP.	0.047uF	25V	B	GRM188B11E473KA01D	K22144811		27-	A	G6
C 1222	CHIP.CAP.	470pF	50V	CH	GRM1882C1H471JA01D	K22174249		1-	A	G6
C 1222	CHIP.CAP.	100pF	50V	CH	GRM1882C1H101JA01D	K22174235		30-	A	G6
C 1223	AL.ELECTRO.CAP.	1uF	50V		ECEV1HA010SR	K48170019		1-15	A	F6
C 1223	AL.ELECTRO.CAP.	1uF	50V		EEE1HA010SR	K48170027	W/ CE LABEL	16-22	A	F6
C 1223	AL.ELECTRO.CAP.	1uF	50V		ECEV1HA010SR	K48170019	W/O CE LABEL	16-22	A	F6
C 1223	AL.ELECTRO.CAP.	1uF	50V		EEE1HA010SR	K48170027		23-	A	F6
C 1223	AL.ELECTRO.CAP.	0.1uF	50V		EEE1HA01SR	K48170028		30-	A	F6
C 1224	CHIP.CAP.	0.001uF	50V	B	GRM188B11H102KA01D	K22174821		1-	A	G6
C 1224	CHIP.CAP.	0.0033uF	50V	B	GRM188B11H332KA01D	K22174815		30-	A	G6
C 1225	CHIP.CAP.	0.001uF	50V	B	GRM188B11H102KA01D	K22174821		1-29	A	G6
C 1226	CHIP.CAP.	0.047uF	16V	B	GRM39B473K16PT	K22124804		1-1	A	F6
C 1226	CHIP.CAP.	0.0068uF	50V	B	GRM188B11H682KA01D	K22174819		30-	A	F6
C 1227	CHIP.CAP.	0.01uF	50V	B	GRM188B11H103KA01D	K22174823		1-29	A	F6
C 1228	CHIP.CAP.	0.01uF	50V	B	GRM188B11H103KA01D	K22174823		1-	A	H4
C 1229	CHIP.CAP.	0.01uF	50V	B	GRM188B11H103KA01D	K22174823		1-	A	H4
C 1230	CHIP.CAP.	0.01uF	50V	B	GRM188B11H103KA01D	K22174823		1-	A	H4
C 1232	CHIP.CAP.	0.01uF	50V	B	GRM188B11H103KA01D	K22174823		1-	A	G4
C 1233	CHIP.CAP.	0.01uF	50V	B	GRM188B11H103KA01D	K22174823		1-	A	H4
C 1234	CHIP.CAP.	0.01uF	50V	B	GRM188B11H103KA01D	K22174823		1-	A	G4
C 1235	CHIP.CAP.	0.01uF	50V	B	GRM188B11H103KA01D	K22174823		1-	A	G4
C 1236	CHIP.CAP.	0.047uF	16V	B	GRM39B473K16PT	K22124804		1-	A	G4
C 1236	CHIP.CAP.	0.047uF	25V	B	GRM188B11E473KA01D	K22144811		27-	A	G4
C 1237	CHIP.CAP.	0.01uF	50V	B	GRM188B11H103KA01D	K22174823		1-	A	G4
C 1238	CHIP.CAP.	0.047uF	16V	B	GRM39B473K16PT	K22124804		1-	A	G4
C 1238	CHIP.CAP.	0.047uF	25V	B	GRM188B11E473KA01D	K22144811		27-	A	G4
C 1239	CHIP.CAP.	0.047uF	16V	B	GRM39B473K16PT	K22124804		1-	A	G5
C 1239	CHIP.CAP.	0.047uF	25V	B	GRM188B11E473KA01D	K22144811		27-	A	G5
C 1240	CHIP.CAP.	0.047uF	16V	B	GRM39B473K16PT	K22124804		1-	A	G5
C 1240	CHIP.CAP.	0.047uF	25V	B	GRM188B11E473KA01D	K22144811		27-	A	G5
C 1241	CHIP.CAP.	0.047uF	16V	B	GRM39B473K16PT	K22124804		1-	A	F5
C 1241	CHIP.CAP.	0.047uF	25V	B	GRM188B11E473KA01D	K22144811		27-	A	F5
C 1242	CHIP.CAP.	0.047uF	16V	B	GRM39B473K16PT	K22124804		1-	A	F5
C 1242	CHIP.CAP.	0.047uF	25V	B	GRM188B11E473KA01D	K22144811		27-	A	F5
C 1242	CHIP.CAP.	0.1uF	16V	B	GRM188B11C104KA01D	K22124805		30-	A	F5
C 1255	CHIP.CAP.	680pF	25V	CH	GRM39CH681J25PT	K22144203		1-	A	E6
C 1255	CHIP.CAP.	680pF	50V	CH	GRM1882C1H681JA01D	K22174274		27-	A	E6
C 1256	CHIP.CAP.	0.047uF	16V	B	GRM39B473K16PT	K22124804		1-	A	E6
C 1256	CHIP.CAP.	0.047uF	25V	B	GRM188B11E473KA01D	K22144811		27-	A	E6
C 1257	AL.ELECTRO.CAP.	10uF	35V		ECEV1VA100WR	K48160004		1-	A	E6

# RX-1 Unit

## Parts List

REF	DESCRIPTION	VALUE	V/W	TOL.	MFR'S DESIG	YAESU P/N	VERS.	LOT	SIDE	LAY ADR
C 1257	AL.ELECTRO.CAP.	10uF	35V		EEE1VA100WR	K48160006		9-	A	E6
C 1258	CHIP CAP.	150pF	50V	CH	GRM1882C1H151JA01D	K22174239		1-	A	E6
C 1261	CHIP CAP.	68pF	50V	CH	GRM1882C1H680JA01D	K22174231		1-	A	E6
C 1263	CHIP CAP.	0.1uF	16V	B	GRM188B11C104KA01D	K22124805		1-	A	A4
C 1264	CHIP CAP.	5pF	50V	CH	GRM1882C1H5R0CZ01D	K22174206		1-	A	H4
C 1265	CHIP CAP.	0.01uF	50V	B	GRM188B11H103KA01D	K22174823		1-	A	G1
C 1266	CHIP CAP.	0.01uF	50V	B	GRM188B11H103KA01D	K22174823		1-	A	G1
C 1267	CHIP CAP.	0.01uF	50V	B	GRM188B11H103KA01D	K22174823		1-	A	G1
C 1268	CHIP CAP.	0.01uF	50V	B	GRM188B11H103KA01D	K22174823		1-	A	G1
C 1269	CHIP CAP.	24pF	50V	CH	GRM1882C1H240JZ01D	K22174220		1-	A	G4
C 1270	CHIP CAP.	120pF	50V	CH	GRM1882C1H121JA01D	K22174237		1-	A	G4
C 1271	CHIP CAP.	0.01uF	50V	B	GRM188B11H103KA01D	K22174823		1-	A	H2
C 1272	CHIP CAP.	22pF	50V	CH	GRM1882C1H220JA01D	K22174219		1-	A	G1
C 1273	CHIP CAP.	18pF	50V	CH	GRM1882C1H180JA01D	K22174217		1-	A	H1
C 1274	CHIP CAP.	22pF	50V	CH	GRM1882C1H220JA01D	K22174219		1-	A	G1
C 1275	CHIP CAP.	18pF	50V	CH	GRM1882C1H180JA01D	K22174217		1-	A	H1
C 1276	CHIP CAP.	22pF	50V	CH	GRM1882C1H220JA01D	K22174219		1-	A	G1
C 1277	CHIP CAP.	18pF	50V	CH	GRM1882C1H180JA01D	K22174217		1-	A	H1
C 1278	CHIP CAP.	0.047uF	16V	B	GRM39B473K16PT	K22124804		1-	A	E5
C 1278	CHIP CAP.	0.047uF	25V	B	GRM188B11E473KA01D	K22144811		27-	A	E5
C 1279	CHIP CAP.	0.047uF	16V	B	GRM39B473K16PT	K22124804		1-	A	E5
C 1279	CHIP CAP.	0.047uF	25V	B	GRM188B11E473KA01D	K22144811		27-	A	E5
C 1280	CHIP CAP.	0.047uF	16V	B	GRM39B473K16PT	K22124804		1-	A	E5
C 1280	CHIP CAP.	0.047uF	25V	B	GRM188B11E473KA01D	K22144811		27-	A	E5
C 1281	AL.ELECTRO.CAP.	10uF	35V		ECEV1VA100WR	K48160004		1-	A	E6
C 1281	AL.ELECTRO.CAP.	10uF	35V		EEE1VA100WR	K48160006		9-	A	E6
C 1282	CHIP CAP.	0.047uF	16V	B	GRM39B473K16PT	K22124804		1-	A	E6
C 1282	CHIP CAP.	0.047uF	25V	B	GRM188B11E473KA01D	K22144811		27-	A	E6
C 1283	CHIP CAP.	100pF	50V	CH	GRM1882C1H101JA01D	K22174235		1-	A	E5
C 1284	CHIP CAP.	220pF	50V	CH	GRM1882C1H221JA01D	K22174243		2-	A	E5
C 1285	CHIP CAP.	100pF	50V	CH	GRM1882C1H101JA01D	K22174235		1-	A	E5
C 1286	AL.ELECTRO.CAP.	10uF	35V		ECEV1VA100WR	K48160004		1-	A	E5
C 1286	AL.ELECTRO.CAP.	10uF	35V		EEE1VA100WR	K48160006		9-	A	E5
C 1289	CHIP CAP.	0.1uF	16V	B	GRM188B11C104KA01D	K22124805		1-	A	F6
C 1290	AL.ELECTRO.CAP.	22uF	50V		ECEV1HA220WP	K48170018		1-	A	F6
C 1290	AL.ELECTRO.CAP.	22uF	50V		EEE1HA220WP	K48170026		9-	A	F6
C 1292	CHIP CAP.	0.01uF	50V	B	GRM188B11H103KA01D	K22174823		1-	A	E1
C 1293	CHIP CAP.	0.01uF	50V	B	GRM188B11H103KA01D	K22174823		1-	A	E1
C 1294	CHIP CAP.	0.01uF	50V	B	GRM188B11H103KA01D	K22174823		1-	A	E1
C 1295	CHIP CAP.	0.01uF	50V	B	GRM188B11H103KA01D	K22174823		1-	A	E1
C 1297	CHIP CAP.	0.01uF	50V	B	GRM188B11H103KA01D	K22174823		1-	A	E1
C 1297	CHIP CAP.	0.1uF	16V	B	GRM188B11C104KA01D	K22124805		4-	A	E1
C 1298	CHIP CAP.	0.01uF	50V	B	GRM188B11H103KA01D	K22174823		1-	A	E2
C 1299	CHIP CAP.	0.001uF	50V	B	GRM188B11H102KA01D	K22174821		1-	A	E2
C 1300	CHIP CAP.	0.01uF	50V	B	GRM188B11H103KA01D	K22174823		1-	A	E2
C 1301	CHIP TA.CAP.	10uF	20V		TEESVB21D106M8R	K78130028		1-	A	D2
C 1302	CHIP TA.CAP.	10uF	20V		TEESVB21D106M8R	K78130028		1-	A	C2
C 1303	CHIP TA.CAP.	10uF	20V		TEESVB21D106M8R	K78130028		1-	A	C2
C 1304	CHIP TA.CAP.	10uF	20V		TEESVB21D106M8R	K78130028		1-	A	B2
C 1305	CHIP TA.CAP.	10uF	20V		TEESVB21D106M8R	K78130028		1-	A	B2
C 1306	CHIP TA.CAP.	10uF	20V		TEESVB21D106M8R	K78130028		1-	A	B2
C 1307	CHIP CAP.	0.01uF	50V	B	GRM188B11H103KA01D	K22174823		1-	A	G3
C 1308	CHIP CAP.	5pF	50V	CH	GRM1882C1H5R0CZ01D	K22174206		1-	A	H2
C 1309	AL.ELECTRO.CAP.	220uF	16V		EMVA160ADA221MF80G	K48120021		1-	A	G6
C 1310	CERAMIC CAP.	470pF	50V	B	UP050B471K-A-B	K28179043		1	A	G2
C 1310	CHIP CAP.	470pF	50V	B	GRM188B11H471KA01D	K22174805		2-	A	G2
C 1311	CHIP TA.CAP.	0.33uF	35V		TEESVA1V334M8R	K78160028		1-	A	H2
C 1312	CHIP CAP.	0.01uF	50V	B	GRM188B11H103KA01D	K22174823		1-	A	E6
C 1313	CERAMIC CAP.	0.001uF	50V	B	UP050B102K-A-B	K28179001		1	A	F5
C 1313	CHIP CAP.	0.001uF	50V	B	GRM188B11H102KA01D	K22174821		2-	A	F5
C 1314	CHIP CAP.	100pF	50V	CH	GRM1882C1H101JA01D	K22174235		1-	A	H5
C 1315	TANTALUM CAP.	0.33uF	35V		DN1VR33M1S	K70167334		1	A	E6
C 1315	CHIP TA.CAP.	0.33uF	35V		TEESVA1V334M8R	K78160028		2-	A	E6
C 1316	CHIP CAP.	0.01uF	25V	B	GRM39B103M25PT	K22144802		1-	A	F6
C 1316	CHIP CAP.	0.01uF	50V	B	GRM188B11H103KA01D	K22174823		27-29	A	F6
C 1317	TANTALUM CAP.	4.7uF	35V		DN1V4R7M1S	K70167475		30-		
C 1317	TANTALUM CAP.	4.7uF	25V		TPDN1E4R7M8S(MX0)	K76140017		30-		
CF1001	CERAMIC FILTER				CFWLB455KEFA-B0	H3900400		1-	A	G5
CF1001	CERAMIC FILTER				CFWLB455KFFA-B0	H3900395		34-	A	G5
D 1001	DIODE				BAS316	G2070716		1-	A	A6
D 1002	DIODE				BAS316	G2070716		1-	A	B6
D 1003	DIODE				BAS316	G2070716		1-	A	C6
D 1004	DIODE				BAS316	G2070716		1-	A	D6

# RX-1 Unit

## Parts List

REF	DESCRIPTION	VALUE	V/W	TOL.	MFR'S DESIG	YAESU P/N	VERS.	LOT	SIDE	LAY ADR
D 1005	DIODE				BAS316	G2070716		1-	A	C6
D 1006	DIODE				BAS316	G2070716		1-	A	A4
D 1007	DIODE				RLS245 TE-11	G2070834		1-	A	B3
D 1008	DIODE				RLS245 TE-11	G2070834		1-	A	B3
D 1009	DIODE				RLS245 TE-11	G2070834		1-	A	B3
D 1010	DIODE				RLS245 TE-11	G2070834		1-	A	B3
D 1011	DIODE				BAS316	G2070716		1-	A	B3
D 1012	DIODE				RN731V TE-17	G2070898		1-	A	C2
D 1013	DIODE				RN731V TE-17	G2070898		1-	A	C2
D 1014	DIODE				RN731V TE-17	G2070898		1-	A	C2
D 1015	DIODE				RN731V TE-17	G2070898		1-	A	C2
D 1016	DIODE				RN731V TE-17	G2070898		1-	A	C2
D 1017	DIODE				RN731V TE-17	G2070898		1-	A	C2
D 1018	DIODE				RN731V TE-17	G2070898		1-	A	B2
D 1019	DIODE				RN731V TE-17	G2070898		1-	A	B2
D 1020	DIODE				RN731V TE-17	G2070898		1-	A	B2
D 1021	DIODE				RN731V TE-17	G2070898		1-	A	B2
D 1022	DIODE				RN731V TE-17	G2070898		1-	A	A2
D 1023	DIODE				RN731V TE-17	G2070898		1-	A	B2
D 1024	DIODE				RN731V TE-17	G2070898		1-	A	A2
D 1025	DIODE				RN731V TE-17	G2070898		1-	A	A2
D 1026	DIODE				RN731V TE-17	G2070898		1-	A	A2
D 1027	DIODE				RN731V TE-17	G2070898		1-	A	A2
D 1028	DIODE				BAS316	G2070716		1-	A	E1
D 1029	DIODE				RN731V TE-17	G2070898		1-	A	D1
D 1030	DIODE				RN731V TE-17	G2070898		1-	A	E1
D 1031	DIODE				RN731V TE-17	G2070898		1-	A	D2
D 1032	DIODE				RN731V TE-17	G2070898		1-	A	E2
D 1033	DIODE				RN731V TE-17	G2070898		1-	A	D2
D 1034	DIODE				RN731V TE-17	G2070898		1-	A	E2
D 1036	DIODE				1SS356TW11	G2070468		1-	A	F1
D 1037	DIODE				BAS316	G2070716		1-	A	F1
D 1039	DIODE				1SS356TW11	G2070468		1-	A	G2
D 1041	DIODE				RN142S TE61	G2070994		1-	A	H1
D 1043	DIODE				RN142S TE61	G2070994		1-	A	H1
D 1045	DIODE				RN142S TE61	G2070994		1-	A	H1
D 1047	DIODE				HSM198S TR-E	G2070570		1-	A	G2
D 1048	DIODE				RN731V TE-17	G2070898		1-	A	G3
D 1049	DIODE				RN731V TE-17	G2070898		1-	A	G3
D 1050	DIODE				RN731V TE-17	G2070898		1-	A	G3
D 1051	DIODE				DAN202U T106	G2070162		1-	A	G2
D 1052	DIODE				1SS226(TE85R.F)	G2070003		1-	A	G6
D 1053	DIODE				BAS316	G2070716		1-	A	F6
D 1054	DIODE				DAN202U T106	G2070162		1-	A	F6
D 1055	DIODE				BAS316	G2070716		1-	A	F6
D 1056	DIODE				BAS316	G2070716		1-	A	F6
D 1057	DIODE				DAN202U T106	G2070162		1-	A	F6
D 1058	DIODE				RN142S TE61	G2070994		1-	A	G4
D 1059	DIODE				BAS316	G2070716		1-	A	G5
D 1060	DIODE				BAS316	G2070716		1-	A	F5
D 1061	DIODE				BAS316	G2070716		1-	A	G5
D 1062	DIODE				HSB88WS TR-E	G2070290		1-	A	F5
D 1063	DIODE				RD5.1UMB1-T1	G2070538		1-	A	E6
D 1064	DIODE				BAS316	G2070716		1-	A	G1
D 1065	DIODE				BAS316	G2070716		1-	A	G1
D 1066	DIODE				BAS316	G2070716		1-	A	G1
D 1067	DIODE				BAS316	G2070716		1-	A	G1
D 1068	DIODE				BAS316	G2070716		1-	A	H5
D 1069	DIODE				UDZS TE-17 9.1B	G2070868		4-	A	E1
J 1001	CONNECTOR				TMP-J01X-V6	P1090210		1-	A	A6
J 1002	CONNECTOR				TMP-J01X-V6	P1090210		1-	A	D6
J 1003	CONNECTOR				TMP-J01X-V6	P1090210		1-	A	D6
J 1004	TERMINAL				OT-007	S5000180		1-	A	B6
J 1005	CONNECTOR				IMSA-6065B-05-Z049-PT1	P0091382		1-	A	B6
J 1006	CONNECTOR				IMSA-6065B-07-Z049-PT1	P0091384		1-	A	A5
J 1007	CONNECTOR				IMSA-6065B-08-Z049-PT1	P0091385		1-	A	B4
J 1008	CONNECTOR				IMSA6065B-05-Z054-PT1	P0091411		1-	A	B3
J 1008	CONNECTOR				IMSA6065B-05-Z075-PT1	P0091416		3-	A	B3
J 1009	TERMINAL				P07	Q5000166		1-	A	A1
J 1010	TERMINAL				P07	Q5000166		1-	A	D2
J 1011	CONNECTOR				IMSA6065B-15-Z054-PT1	P0091412		1-	A	D1
J 1011	CONNECTOR				IMSA6065B-15-Z075-PT1	P0091417		3-	A	D1
J 1012	CONNECTOR				TMP-J01X-V6	P1090210		1-	A	H3

# RX-1 Unit

## Parts List

REF	DESCRIPTION	VALUE	V/W	TOL.	MFR'S DESIG	YAESU P/N	VERS.	LOT	SIDE	LAY ADR
J 1013	CONNECTOR				30FLT-SM2-TB(LF)(SN)(M)	P1091142		1-	A	H3
J 1014	CONNECTOR				TMP-J01X-V6	P1090210		1-	A	G3
J 1015	CONNECTOR				TMP-J01X-V6	P1090210		1-	A	D4
J 1016	CONNECTOR				TMP-J01X-V6	P1090210		1-	A	D5
J 1017	CONNECTOR				IMSA-6065B-06-Z049-PT1	P0091383		1-	A	D4
J 1018	CONNECTOR				IMSA-6065B-09-Z049-PT1	P0091386		1-	A	F4
J 1019	CONNECTOR				TMP-J01X-V6	P1090210		1-	A	H5
J 1020	CONNECTOR				TMP-J01X-V6	P1090210		1-	A	E5
J 1021	CONNECTOR				SB20-02WS	P0090609		1-	A	E6
J 1022	TERMINAL				OT-007	S5000180		1-	A	A6
J 1023	TERMINAL				OT-007	S5000180		1-	A	D4
J 1024	TERMINAL				OT-007	S5000180		1-	A	D5
J 1025	TERMINAL				OT-007	S5000180		1-	A	F4
J 1026	CONNECTOR				TMP-J01X-V6	P1090210		1-	A	D6
J 1027	CONNECTOR				TMP-J01X-V6	P1090210		1-	A	A3
JP1004	WIRE ASSY				GRN 20 2/2	T50502000		1		
JP1005	WIRE ASSY				GRN 105 2/2	T50510500		1		
JP1006	WIRE ASSY				GRN 30 2/2	T50503000		1		
JP1007	WIRE ASSY				GRN 30 2/2	T50503000		1		
JP1009	CHIPRES.	0	1/16W	5%	RMC1/16 000JATP	J24185000		2-	A	B2
JP1023	CHIPRES.	1.2k	1/16W	5%	RMC1/16 122JATP	J24185122		1		
L 1002	M.RFC	1mH			LAV35VB102J	L1790255		1-	A	A6
L 1004	M.RFC	1mH			LAV35VB102J	L1790255		1-	A	C3
L 1005	CHIP COIL	100uH			LQH32MN101K23L	L1690099		1-	A	C3
L 1006	COIL A1				5.5T5.0D0.6UEW R	L0021832A		1-	A	B3
L 1007	COIL A1				4.5T5.0D0.6UEW R	L0021831A		1-	A	C3
L 1008	COIL A1				4.5T4.0D0.6UEW R	L0021825A		1-	A	C3
L 1009	COIL A1				6.5T5.0D0.6UEW R	L0021833A		1-	A	B3
L 1010	COIL A1				8.5T6.0D0.8UEW R	L0022802		1-	A	A3
L 1011	COIL A1				8.5T6.0D0.8UEW R	L0022802		1-	A	A3
L 1012	CHIP COIL	0.12uH			C2520C-R12J	L1690545		1-	A	C2
L 1013	CHIP COIL	0.39uH			C2520C-R39J	L1690551		1-	A	C2
L 1014	CHIP COIL	0.12uH			C2520C-R12J	L1690545		1-	A	C2
L 1015	CHIP COIL	0.22uH			C2520C-R22J	L1690548		1-	A	C2
L 1016	CHIP COIL	2.2uH			C2520F-2R2K	L1690588		1-	A	C2
L 1016	CHIP COIL	2.2uH		10%	C2520C-2R2K-RK	L1690731		36-	A	C2
L 1017	CHIP COIL	0.22uH			C2520C-R22J	L1690548		1-	A	C2
L 1018	CHIP COIL	0.33uH			C2520C-R33J	L1690550		1-	A	C2
L 1019	CHIP COIL	2.7uH			C2520F-2R7K	L1690589		1-	A	C2
L 1019	CHIP COIL	2.7uH		10%	C2520C-2R7K-RK	L1690732		36-	A	C2
L 1020	CHIP COIL	0.33uH			C2520C-R33J	L1690550		1-	A	C2
L 1021	CHIP COIL	0.82uH			C2520C-R82J	L1690555		1-	A	B2
L 1022	CHIP COIL	3.3uH			C2520F-3R3K	L1690590		1-	A	B2
L 1022	CHIP COIL	3.3uH		5%	NLV-25T-3R3J-PF	L1691430		23-	A	B2
L 1023	CHIP COIL	0.82uH			C2520C-R82J	L1690555		1-	A	B2
L 1024	CHIP COIL	1.2uH			C2520F-1R2K	L1690585		1-	A	B2
L 1024	CHIP COIL	1.2uH		10%	C2520C-1R2K-RK	L1690728		36-	A	B2
L 1025	CHIP COIL	6.8uH			C2520F-6R8K	L1690594		1-	A	B2
L 1025	CHIP COIL	6.8uH		5%	NLV-25T-6R8J-PF	L1691434		14-	A	B2
L 1026	CHIP COIL	1.2uH			C2520F-1R2K	L1690585		1-	A	B2
L 1026	CHIP COIL	1.2uH		10%	C2520C-1R2K-RK	L1690728		36-	A	B2
L 1027	M.RFC	1mH			875FU-102M=P3	L1691236		1-	A	A2
L 1028	CHIP COIL	10uH			C2520F-100K	L1690596		1-	A	A2
L 1028	CHIP COIL	10uH		5%	NLV-25T-100J-PF	L1691436		12-	A	A2
L 1029	CHIP COIL	6.8uH			C2520F-6R8K	L1690594		1-	A	A2
L 1029	CHIP COIL	6.8uH		5%	NLV-25T-6R8J-PF	L1691434		14-	A	A2
L 1030	CHIP COIL	10uH			C2520F-100K	L1690596		1-	A	A2
L 1030	CHIP COIL	10uH		5%	NLV-25T-100J-PF	L1691436		12-	A	A2
L 1031	M.RFC	15uH			LLM3225-150J	L1691135		1-	A	A2
L 1032	M.RFC	22uH			LLM3225-220J	L1691137		1-	A	A2
L 1033	M.RFC	15uH			LLM3225-150J	L1691135		1-	A	A2
L 1034	M.RFC	1mH			875FU-102M=P3	L1691236		1-	A	A2
L 1035	M.RFC	1mH			LAV35VB102J	L1790255		1-	A	E1
L 1036	M.RFC	1mH			LAV35VB102J	L1790255		1-	A	E1
L 1038	CHIP COIL	5.6uH			LQH32MN5R6K23L	L1690084		1-	A	E2
L 1039	CHIP COIL	5.6uH			LQH32MN5R6K23L	L1690084		1-	A	E3
L 1040	CHIP COIL	10uH			LQH32MN100K23L	L1690087		1-	A	G1
L 1041	CHIP COIL	10uH			LQH32MN100K23L	L1690087		1-	A	F1
L 1042	CHIP COIL	10uH			LQH32MN100K23L	L1690087		1-	A	F3
L 1050	CHIP COIL	15uH			LQH32MN150K23L	L1690089		1-	A	H2
L 1051	CHIP COIL	10uH			LQH32MN100K23L	L1690087		1-	A	G2
L 1052	CHIP COIL	10uH			LQH32MN100K23L	L1690087		1-	A	G3
L 1053	CHIP COIL	1mH			LQH43MN102K03L	L1690108		1-29	A	G6

# RX-1 Unit

## Parts List

REF	DESCRIPTION	VALUE	V/W	TOL.	MFR'S DESIG	YAESU P/N	VERS.	LOT	SIDE	LAY ADR
L 1054	CHIPCOIL	1mH			LQH43MN102K03L	L1690108		1-	A	F5
L 1056	CHIPCOIL	100uH			LQH32MN101K23L	L1690099		1-	A	H3
L 1057	M.RFC	120uH			RCH-875 121K	L1190396		1-	A	H3
L 1058	CHIPCOIL	100uH			LQH32MN101K23L	L1690099		1-	A	H3
L 1059	CHIPCOIL	100uH			LQH32MN101K23L	L1690099		1-	A	H3
L 1060	CHIPCOIL	100uH			LQH32MN101K23L	L1690099		1-	A	H3
L 1061	M.RFC	220uH			LLM3225-221J	L1691149		1-	A	E5
L 1062	M.RFC	220uH			LLM3225-221J	L1691149		1-	A	E5
P 1001	WIRE ASSY				GRA 300 TMP/TMP	T9318252A		1-		
P 1001	WIRE ASSY				GRA 300 TMP/TMP	T9318252A		14		
P 1001	WIRE ASSY				GRA 300 TMP/TMP	T9318252B		15-		
Q 1001	TRANSISTOR				2SC2714Y(TE85R.F)	G3327147Y		1-	A	B3
Q 1003	FET				3SK131-T2B V12	G4801317B		1-	A	E2
Q 1004	FET				SST310-T1	G4070009		1-	A	E2
Q 1005	FET				SST310-T1	G4070009		1-	A	E2
Q 1006	FET				SST310-T1	G4070009		1-	A	E2
Q 1007	FET				SST310-T1	G4070009		1-	A	E2
Q 1008	FET				2SK520-T2B K41	G3805207A		1-	A	F1
Q 1009	FET				2SK520-T2B K41	G3805207A		1-	A	F1
Q 1010	FET				2SK520-T2B K41	G3805207A		1-	A	F1
Q 1011	FET				2SK520-T2B K41	G3805207A		1-	A	F1
Q 1012	FET				SST310-T1	G4070009		1-	A	F1
Q 1013	FET				SST310-T1	G4070009		1-	A	F1
Q 1014	FET				SST310-T1	G4070009		1-	A	F1
Q 1015	FET				SST310-T1	G4070009		1-	A	F1
Q 1016	FET				SST310-T1	G4070009		1-	A	E2
Q 1017	FET				SST310-T1	G4070009		1-	A	F3
Q 1018	FET				SST310-T1	G4070009		1-	A	F2
Q 1019	FET				SST310-T1	G4070009		1-	A	F2
Q 1020	FET				SST310-T1	G4070009		1-	A	F2
Q 1021	FET				3SK131-T2B V12	G4801317B		1-	A	H2
Q 1022	IC				NJM2125F(TE1)	G1093894		1-	A	G2
Q 1023	TRANSISTOR				2SC4154-T111-1E	G3341548E		1-	A	G3
Q 1023	TRANSISTOR				2SC4081 T106	G3340818		29-	A	G3
Q 1024	TRANSISTOR				2SC2954-T2	G3329547		1-	A	G2
Q 1024	TRANSISTOR				2SC5415E-TD-E	G3354158E		22-	A	G2
Q 1025	TRANSISTOR				2SC2954-T2	G3329547		1-	A	F3
Q 1025	TRANSISTOR				2SC5415E-TD-E	G3354158E		22-	A	F3
Q 1026	IC				TA75S558F(TE85R)	G1092284		1-	A	H5
Q 1027	FET				3SK131-T2B V12	G4801317B		1-	A	G5
Q 1028	FET				3SK131-T2B V12	G4801317B		1-	A	G6
Q 1029	TRANSISTOR				2SC4154-T111-1E	G3341548E		1-	A	G6
Q 1029	TRANSISTOR				2SC4081 T106	G3340818		29-	A	G6
Q 1030	TRANSISTOR				2SC4154-T111-1E	G3341548E		1-	A	G6
Q 1030	TRANSISTOR				2SC4081 T106	G3340818		29-	A	G6
Q 1031	FET				2SK209GR TE85R	G3802097G		1-	A	F6
Q 1031	FET				2SK209GR(TE85L.F)	G3802098G		61-	A	F6
Q 1032	TRANSISTOR				2SC4154-T111-1E	G3341548E		1-	A	F6
Q 1032	TRANSISTOR				2SC4081 T106	G3340818		29-	A	F6
Q 1033	TRANSISTOR				2SA1602A-T111-1F	G3116028F		1-	A	F6
Q 1033	TRANSISTOR				ISA1602AM1-T111-1F	G3070380		23-	A	F6
Q 1033	TRANSISTOR				2SA1576A T106 R	G3115768R		29-	A	F6
Q 1034	TRANSISTOR				2SA1602A-T111-1F	G3116028F		1-	A	F6
Q 1034	TRANSISTOR				ISA1602AM1-T111-1F	G3070380		23-	A	F6
Q 1034	TRANSISTOR				2SA1576A T106 R	G3115768R		29-	A	F6
Q 1035	TRANSISTOR				2SC4154-T111-1E	G3341548E		1-	A	F6
Q 1035	TRANSISTOR				2SC4081 T106	G3340818		29-	A	F6
Q 1036	TRANSISTOR				2SC2714Y(TE85R.F)	G3327147Y		1-	A	H4
Q 1037	FET				SST310-T1	G4070009		1-	A	G4
Q 1038	FET				SST310-T1	G4070009		1-	A	G4
Q 1041	IC				LMH6622MM	G1094189		1-	A	E6
Q 1042	IC				BU2505FV-E2	G1093714		1-	A	F4
Q 1043	IC				BU2099FV-E2	G1093243		1-	A	E4
Q 1044	IC				BU2099FV-E2	G1093243		1-	A	B1
Q 1045	IC				BU2099FV-E2	G1093243		1-	A	B1
Q 1046	TRANSISTOR				DTB113ZK T146	G3070103		1-	A	D1
Q 1047	TRANSISTOR				DTB113ZK T146	G3070103		1-	A	D1
Q 1048	TRANSISTOR				DTB113ZK T146	G3070103		1-	A	D1
Q 1049	TRANSISTOR				DTB113ZK T146	G3070103		1-	A	D2
Q 1050	TRANSISTOR				DTB113ZK T146	G3070103		1-	A	D1
Q 1051	TRANSISTOR				DTB113ZK T146	G3070103		1-	A	D1
Q 1052	TRANSISTOR				DTB113ZK T146	G3070103		1-	A	E4
Q 1053	TRANSISTOR				DTC123JE TL	G3070323		1-	A	A1

# RX-1 Unit

## Parts List

REF	DESCRIPTION	VALUE	V/W	TOL.	MFR'S DESIG	YAESU P/N	VERS.	LOT	SIDE	LAY ADR
Q 1054	TRANSISTOR				DTC123JE TL	G3070323		1-	A	A1
Q 1055	TRANSISTOR				DTC123JE TL	G3070323		1-	A	B1
Q 1056	TRANSISTOR				DTC123JE TL	G3070323		1-	A	B1
Q 1057	TRANSISTOR				DTC123JE TL	G3070323		1-	A	C1
Q 1058	TRANSISTOR				DTC123JE TL	G3070323		1-	A	C1
Q 1059	TRANSISTOR				DTC123JE TL	G3070323		1-	A	C1
Q 1060	TRANSISTOR				DTB113ZK T146	G3070103		1-	A	A1
Q 1061	TRANSISTOR				DTB113ZK T146	G3070103		1-	A	A1
Q 1062	TRANSISTOR				DTB113ZK T146	G3070103		1-	A	A1
Q 1063	TRANSISTOR				DTB113ZK T146	G3070103		1-	A	B1
Q 1064	TRANSISTOR				DTB113ZK T146	G3070103		1-	A	B1
Q 1065	TRANSISTOR				DTB113ZK T146	G3070103		1-	A	B1
Q 1066	TRANSISTOR				DTB113ZK T146	G3070103		1-	A	B1
Q 1067	TRANSISTOR				DTB113ZK T146	G3070103		1-	A	B1
Q 1068	TRANSISTOR				DTB113ZK T146	G3070103		1-	A	B1
Q 1069	TRANSISTOR				DTB113ZK T146	G3070103		1-	A	B1
Q 1070	TRANSISTOR				DTC114EUA T106	G3070084		1	A	A4
Q 1070	TRANSISTOR				DTC123JE TL	G3070323		2-	A	A4
Q 1071	TRANSISTOR				2SC4154-T111-1E	G3341548E		1-	A	E5
Q 1071	TRANSISTOR				2SC4081 T106	G3340818		29-	A	E5
Q 1072	FET				SGM2016AM-T7	G4070012		1-	A	E1
Q 1073	FET				SGM2016AM-T7	G4070012		1-	A	E1
Q 1074	FET				3SK131-T2B V12	G4801317B		1-	A	E1
Q 1075	TRANSISTOR				DTC114EUA T106	G3070084		2-	A	B4
R 1001	CHIPRES.	15	1/16W	5%	RMC1/16 150JATP	J24185150		1-	A	B6
R 1002	CHIPRES.	120	1/16W	5%	RMC1/16 121JATP	J24185121		1-	A	B6
R 1003	CHIPRES.	100	1/16W	5%	RMC1/16 101JATP	J24185101		1-	A	B6
R 1004	CHIPRES.	47	1/16W	5%	RMC1/16 470JATP	J24185470		1-	A	B6
R 1005	CHIPRES.	100	1/16W	5%	RMC1/16 101JATP	J24185101		1-	A	B6
R 1006	CHIPRES.	100	1/16W	5%	RMC1/16 101JATP	J24185101		1-	A	B6
R 1007	CHIPRES.	150	1/16W	5%	RMC1/16 151JATP	J24185151		1-	A	B6
R 1008	CHIPRES.	68	1/16W	5%	RMC1/16 680JATP	J24185680		1-	A	B6
R 1009	CHIPRES.	100	1/16W	5%	RMC1/16 101JATP	J24185101		1-	A	C6
R 1010	CHIPRES.	100	1/16W	5%	RMC1/16 101JATP	J24185101		1-	A	D6
R 1011	CHIPRES.	100	1/16W	5%	RMC1/16 101JATP	J24185101		1-	A	C6
R 1012	CHIPRES.	330	1/2W	5%	RMC1/2 331JCTP	J24275331		1-	A	C3
R 1013	CHIPRES.	100	1/16W	5%	RMC1/16 101JATP	J24185101		1-	A	B3
R 1014	CHIPRES.	2.2k	1/16W	5%	RMC1/16 222JATP	J24185222		1-	A	B3
R 1015	CHIPRES.	4.7k	1/16W	5%	RMC1/16 472JATP	J24185472		1-	A	B4
R 1016	CHIPRES.	4.7k	1/16W	5%	RMC1/16 472JATP	J24185472		1-	A	B4
R 1017	CHIPRES.	100	1/16W	5%	RMC1/16 101JATP	J24185101		2-	A	B3
R 1018	CHIPRES.	100	1/16W	5%	RMC1/16 101JATP	J24185101		1-	A	B3
R 1019	CHIPRES.	68	1/4W	5%	RMC1/4 680JATP	J24245680		1-	A	C2
R 1020	CHIPRES.	68	1/4W	5%	RMC1/4 680JATP	J24245680		1-	A	C2
R 1021	CHIPRES.	10k	1/16W	5%	RMC1/16 103JATP	J24185103		1-	A	D2
R 1022	CHIPRES.	68	1/4W	5%	RMC1/4 680JATP	J24245680		1-	A	C2
R 1023	CHIPRES.	68	1/4W	5%	RMC1/4 680JATP	J24245680		1-	A	C2
R 1024	CHIPRES.	10k	1/16W	5%	RMC1/16 103JATP	J24185103		1-	A	C2
R 1025	CHIPRES.	68	1/4W	5%	RMC1/4 680JATP	J24245680		1-	A	C2
R 1026	CHIPRES.	68	1/4W	5%	RMC1/4 680JATP	J24245680		1-	A	C2
R 1027	CHIPRES.	10k	1/16W	5%	RMC1/16 103JATP	J24185103		1-	A	C2
R 1028	CHIPRES.	68	1/4W	5%	RMC1/4 680JATP	J24245680		1-	A	B2
R 1029	CHIPRES.	68	1/4W	5%	RMC1/4 680JATP	J24245680		1-	A	B2
R 1030	CHIPRES.	10k	1/16W	5%	RMC1/16 103JATP	J24185103		1-	A	B2
R 1031	CHIPRES.	68	1/4W	5%	RMC1/4 680JATP	J24245680		1-	A	B2
R 1032	CHIPRES.	68	1/4W	5%	RMC1/4 680JATP	J24245680		1-	A	B2
R 1033	CHIPRES.	10k	1/16W	5%	RMC1/16 103JATP	J24185103		1-	A	B2
R 1034	CHIPRES.	27	1/16W	5%	RMC1/16 270JATP	J24185270		1-	A	A2
R 1035	CHIPRES.	33	1/16W	5%	RMC1/16 330JATP	J24185330		1-	A	A2
R 1036	CHIPRES.	27	1/16W	5%	RMC1/16 270JATP	J24185270		1-	A	A2
R 1037	CHIPRES.	68	1/4W	5%	RMC1/4 680JATP	J24245680		1-	A	B2
R 1038	CHIPRES.	68	1/4W	5%	RMC1/4 680JATP	J24245680		1-	A	A2
R 1039	CHIPRES.	10k	1/16W	5%	RMC1/16 103JATP	J24185103		1-	A	A2
R 1040	CHIPRES.	33	1/4W	5%	RMC1/4 330JATP	J24245330		1-	A	A2
R 1041	CHIPRES.	10k	1/16W	5%	RMC1/16 103JATP	J24185103		1-	A	A2
R 1042	CHIPRES.	100	1/16W	5%	RMC1/16 101JATP	J24185101		1-	A	E1
R 1043	CHIPRES.	330	1/2W	5%	RMC1/2 331JCTP	J24275331		1-	A	E1
R 1044	CHIPRES.	68	1/4W	5%	RMC1/4 680JATP	J24245680		1-	A	E1
R 1045	CHIPRES.	330	1/2W	5%	RMC1/2 331JCTP	J24275331		1-	A	D1
R 1054	CHIPRES.	68	1/4W	5%	RMC1/4 680JATP	J24245680		1-	A	E1
R 1055	CHIPRES.	330	1/2W	5%	RMC1/2 331JCTP	J24275331		1-	A	D2
R 1056	CHIPRES.	120k	1/16W	5%	RMC1/16 124JATP	J24185124		1-	A	D2
R 1058	CHIPRES.	47k	1/16W	5%	RMC1/16 473JATP	J24185473		1-	A	E2

# RX-1 Unit

## Parts List

REF	DESCRIPTION	VALUE	V/W	TOL.	MFR'S DESIG	YAESU P/N	VERS.	LOT	SIDE	LAY ADR
R 1059	CHIPRES.	47	1/16W	5%	RMC1/16 470JATP	J24185470		1-	A	E2
R 1060	CHIPRES.	10k	1/16W	5%	RMC1/16 103JATP	J24185103		1-	A	E2
R 1061	CHIPRES.	100k	1/16W	5%	RMC1/16 104JATP	J24185104		1-	A	E2
R 1062	CHIPRES.	220	1/16W	5%	RMC1/16 221JATP	J24185221		1	A	E2
R 1062	CHIPRES.	100	1/16W	5%	RMC1/16 101JATP	J24185101		2-	A	E2
R 1063	CHIPRES.	100	1/16W	5%	RMC1/16 101JATP	J24185101		1-	A	E2
R 1064	CHIPRES.	68	1/4W	5%	RMC1/4 680JATP	J24245680		1-	A	E1
R 1065	CHIPRES.	330	1/2W	5%	RMC1/2 331JCTP	J24275331		1-	A	D2
R 1066	CHIPRES.	47	1/4W	5%	RMC1/4 470JATP	J24245470		1-	A	E2
R 1067	CHIPRES.	150k	1/16W	5%	RMC1/16 154JATP	J24185154		1	A	E3
R 1067	CHIPRES.	100k	1/16W	5%	RMC1/16 104JATP	J24185104		2-	A	E3
R 1068	CHIPRES.	100k	1/16W	5%	RMC1/16 104JATP	J24185104		1-	A	E3
R 1069	CHIPRES.	15	1/4W	5%	RMC1/4 150JATP	J24245150		1-	A	E2
R 1070	CHIPRES.	68	1/4W	5%	RMC1/4 680JATP	J24245680		1-	A	E3
R 1071	CHIPRES.	10k	1/16W	5%	RMC1/16 103JATP	J24185103		1-	A	E3
R 1072	CHIPRES.	330	1/2W	5%	RMC1/2 331JCTP	J24275331		1-	A	E1
R 1073	CHIPRES.	680	1/16W	5%	RMC1/16 681JATP	J24185681		1-	A	F1
R 1074	CHIPRES.	680	1/16W	5%	RMC1/16 681JATP	J24185681		1-	A	F1
R 1075	CHIPRES.	680	1/16W	5%	RMC1/16 681JATP	J24185681		1-	A	F1
R 1076	CHIPRES.	680	1/16W	5%	RMC1/16 681JATP	J24185681		1-	A	F1
R 1077	CHIPRES.	10	1/16W	5%	RMC1/16 100JATP	J24185100		1-	A	F1
R 1078	CHIPRES.	10	1/16W	5%	RMC1/16 100JATP	J24185100		1-	A	F1
R 1079	CHIPRES.	10	1/16W	5%	RMC1/16 100JATP	J24185100		1-	A	F1
R 1080	CHIPRES.	10	1/16W	5%	RMC1/16 100JATP	J24185100		1-	A	F1
R 1083	CHIPRES.	100	1/16W	5%	RMC1/16 101JATP	J24185101		1-	A	F1
R 1084	CHIPRES.	100k	1/16W	5%	RMC1/16 104JATP	J24185104		1-	A	F1
R 1085	CHIPRES.	150k	1/16W	5%	RMC1/16 154JATP	J24185154		1-	A	F1
R 1086	CHIPRES.	100	1/16W	5%	RMC1/16 101JATP	J24185101		1-	A	F1
R 1087	CHIPRES.	330	1/2W	5%	RMC1/2 331JCTP	J24275331		1-	A	E2
R 1088	CHIPRES.	330	1/16W	5%	RMC1/16 331JATP	J24185331		1-	A	F1
R 1089	CHIPRES.	330	1/16W	5%	RMC1/16 331JATP	J24185331		1-	A	F1
R 1090	CHIPRES.	330	1/16W	5%	RMC1/16 331JATP	J24185331		1-	A	F1
R 1091	CHIPRES.	330	1/16W	5%	RMC1/16 331JATP	J24185331		1-	A	F1
R 1092	CHIPRES.	0	1/16W	5%	RMC1/16 000JATP	J24185000		1-	A	F2
R 1093	CHIPRES.	0	1/16W	5%	RMC1/16 000JATP	J24185000		1-	A	F1
R 1094	CHIPRES.	0	1/16W	5%	RMC1/16 000JATP	J24185000		1-	A	F1
R 1095	CHIPRES.	0	1/16W	5%	RMC1/16 000JATP	J24185000		1-	A	F1
R 1096	CHIPRES.	10	1/16W	5%	RMC1/16 100JATP	J24185100		1-	A	F1
R 1097	CHIPRES.	10	1/16W	5%	RMC1/16 100JATP	J24185100		1-	A	F1
R 1098	CHIPRES.	10	1/16W	5%	RMC1/16 100JATP	J24185100		1-	A	F1
R 1099	CHIPRES.	10	1/16W	5%	RMC1/16 100JATP	J24185100		1-	A	F1
R 1102	CHIPRES.	100	1/16W	5%	RMC1/16 101JATP	J24185101		1-	A	F2
R 1103	CHIPRES.	100k	1/16W	5%	RMC1/16 104JATP	J24185104		1-	A	F2
R 1104	CHIPRES.	150k	1/16W	5%	RMC1/16 154JATP	J24185154		1-	A	F2
R 1105	CHIPRES.	0	1/16W	5%	RMC1/16 000JATP	J24185000		1-	A	E2
R 1106	CHIPRES.	100k	1/16W	5%	RMC1/16 104JATP	J24185104		1-	A	E2
R 1107	CHIPRES.	47	1/16W	5%	RMC1/16 470JATP	J24185470		1-	A	E2
R 1108	CHIPRES.	100	1/16W	5%	RMC1/16 101JATP	J24185101		1-	A	E2
R 1109	CHIPRES.	680	1/16W	5%	RMC1/16 681JATP	J24185681		1-	A	F2
R 1110	CHIPRES.	680	1/16W	5%	RMC1/16 681JATP	J24185681		1-	A	F2
R 1111	CHIPRES.	680	1/16W	5%	RMC1/16 681JATP	J24185681		1-	A	F2
R 1112	CHIPRES.	680	1/16W	5%	RMC1/16 681JATP	J24185681		1-	A	F2
R 1113	CHIPRES.	10	1/16W	5%	RMC1/16 100JATP	J24185100		1-	A	F2
R 1114	CHIPRES.	10	1/16W	5%	RMC1/16 100JATP	J24185100		1-	A	F2
R 1115	CHIPRES.	10	1/16W	5%	RMC1/16 100JATP	J24185100		1-	A	F2
R 1116	CHIPRES.	10	1/16W	5%	RMC1/16 100JATP	J24185100		1-	A	F2
R 1118	CHIPRES.	150k	1/16W	5%	RMC1/16 154JATP	J24185154		1-	A	F2
R 1119	CHIPRES.	100k	1/16W	5%	RMC1/16 104JATP	J24185104		1-	A	F2
R 1121	CHIPRES.	470	1/16W	5%	RMC1/16 471JATP	J24185471		1-	A	H1
R 1122	CHIPRES.	470	1/16W	5%	RMC1/16 471JATP	J24185471		1-	A	H1
R 1123	CHIPRES.	470	1/16W	5%	RMC1/16 471JATP	J24185471		1-	A	H1
R 1124	CHIPRES.	470	1/16W	5%	RMC1/16 471JATP	J24185471		1-	A	H2
R 1125	CHIPRES.	10k	1/16W	5%	RMC1/16 103JATP	J24185103		1-	A	H2
R 1126	CHIPRES.	100k	1/16W	5%	RMC1/16 104JATP	J24185104		1-	A	H2
R 1127	CHIPRES.	100k	1/16W	5%	RMC1/16 104JATP	J24185104		1-	A	H2
R 1128	CHIPRES.	47	1/16W	5%	RMC1/16 470JATP	J24185470		1	A	H2
R 1128	CHIPRES.	0	1/16W	5%	RMC1/16 000JATP	J24185000		2-	A	H2
R 1129	CHIPRES.	470k	1/16W	5%	RMC1/16 474JATP	J24185474		1-	A	H2
R 1130	CHIPRES.	150	1/16W	5%	RMC1/16 151JATP	J24185151		1-	A	H2
R 1131	CHIPRES.	4.7k	1/16W	5%	RMC1/16 472JATP	J24185472		1-	A	H2
R 1132	CHIPRES.	100	1/16W	5%	RMC1/16 101JATP	J24185101		1-	A	H2
R 1133	CHIPRES.	100	1/16W	5%	RMC1/16 101JATP	J24185101		1-	A	H2
R 1134	CHIPRES.	3.3k	1/16W	5%	RMC1/16 332JATP	J24185332		1-	A	G2

# RX-1 Unit

## Parts List

REF	DESCRIPTION	VALUE	V/W	TOL.	MFR'S DESIG	YAESU P/N	VERS.	LOT	SIDE	LAY ADR
R 1135	CHIPRES.	1k	1/16W	5%	RMC1/16 102JATP	J24185102		1-	A	G2
R 1136	CHIPRES.	10k	1/16W	5%	RMC1/16 103JATP	J24185103		1-	A	G2
R 1137	CHIPRES.	100	1/16W	5%	RMC1/16 101JATP	J24185101		1-	A	G2
R 1138	CHIPRES.	33k	1/16W	5%	RMC1/16 333JATP	J24185333		1-	A	G3
R 1139	CHIPRES.	1k	1/16W	5%	RMC1/16 102JATP	J24185102		1-	A	G2
R 1140	CHIPRES.	10	1/16W	5%	RMC1/16 100JATP	J24185100		1-	A	G2
R 1141	CHIPRES.	68	1/10W	5%	RMC1/10T 680J	J24205680		1-	A	G2
R 1142	CHIPRES.	100	1/4W	5%	RMC1/4 101JATP	J24245101		1	A	G2
R 1143	CHIPRES.	1k	1/16W	5%	RMC1/16 102JATP	J24185102		1-	A	G2
R 1144	CHIPRES.	470	1/16W	5%	RMC1/16 471JATP	J24185471		1	A	G2
R 1144	CHIPRES.	330	1/16W	5%	RMC1/16 331JATP	J24185331		2-	A	G2
R 1145	CHIPRES.	3.3k	1/16W	5%	RMC1/16 332JATP	J24185332		1-	A	G2
R 1146	CHIPRES.	0	1/16W	5%	RMC1/16 000JATP	J24185000		1-	A	G3
R 1148	CHIPRES.	22	1/16W	5%	RMC1/16 220JATP	J24185220		1-	A	G3
R 1149	CHIPRES.	3.3k	1/16W	5%	RMC1/16 332JATP	J24185332		1-	A	G2
R 1150	CHIPRES.	1k	1/16W	5%	RMC1/16 102JATP	J24185102		1-	A	G2
R 1151	CHIPRES.	3.3k	1/16W	5%	RMC1/16 332JATP	J24185332		1-	A	G2
R 1152	CHIPRES.	0	1/16W	5%	RMC1/16 000JATP	J24185000		1-	A	G2
R 1153	CHIPRES.	47	1/16W	5%	RMC1/16 470JATP	J24185470		1-	A	G3
R 1154	CHIPRES.	33	1/16W	5%	RMC1/16 330JATP	J24185330		1-	A	G3
R 1155	CHIPRES.	33	1/16W	5%	RMC1/16 330JATP	J24185330		1-	A	G3
R 1156	CHIPRES.	330	1/16W	5%	RMC1/16 331JATP	J24185331		1-	A	G3
R 1157	CHIPRES.	1k	1/16W	5%	RMC1/16 102JATP	J24185102		1-	A	G3
R 1158	CHIPRES.	68	1/10W	5%	RMC1/10T 680J	J24205680		1-	A	F3
R 1159	CHIPRES.	100	1/4W	5%	RMC1/4 101JATP	J24245101		1-	A	F3
R 1160	CHIPRES.	10	1/16W	5%	RMC1/16 100JATP	J24185100		1-	A	G3
R 1162	CHIPRES.	470k	1/16W	5%	RMC1/16 474JATP	J24185474		1-	A	H5
R 1166	CHIPRES.	0	1/16W	5%	RMC1/16 000JATP	J24185000		1-	A	F4
R 1167	CHIPRES.	0	1/16W	5%	RMC1/16 000JATP	J24185000		1-	A	F4
R 1168	CHIPRES.	0	1/16W	5%	RMC1/16 000JATP	J24185000		1-	A	F4
R 1169	CHIPRES.	0	1/16W	5%	RMC1/16 000JATP	J24185000		1-	A	F4
R 1170	CHIPRES.	100k	1/16W	5%	RMC1/16 104JATP	J24185104		1-	A	E4
R 1171	CHIPRES.	0	1/16W	5%	RMC1/16 000JATP	J24185000		1-	A	A1
R 1172	CHIPRES.	0	1/16W	5%	RMC1/16 000JATP	J24185000		1-	A	E4
R 1173	CHIPRES.	0	1/16W	5%	RMC1/16 000JATP	J24185000		1-	A	E4
R 1174	CHIPRES.	100k	1/16W	5%	RMC1/16 104JATP	J24185104		1-	A	A1
R 1175	CHIPRES.	100k	1/16W	5%	RMC1/16 104JATP	J24185104		1-	A	E4
R 1176	CHIPRES.	100k	1/16W	5%	RMC1/16 104JATP	J24185104		1-	A	E4
R 1177	CHIPRES.	1k	1/16W	5%	RMC1/16 102JATP	J24185102		1-	A	G5
R 1178	CHIPRES.	100k	1/16W	5%	RMC1/16 104JATP	J24185104		1-	A	G5
R 1179	CHIPRES.	330k	1/16W	5%	RMC1/16 334JATP	J24185334		1-	A	G5
R 1180	CHIPRES.	1k	1/16W	5%	RMC1/16 102JATP	J24185102		1-	A	G5
R 1180	CHIPRES.	470	1/16W	5%	RMC1/16 471JATP	J24185471		30-	A	G5
R 1181	CHIPRES.	150k	1/16W	5%	RMC1/16 154JATP	J24185154		1-	A	G5
R 1182	CHIPRES.	10k	1/16W	5%	RMC1/16 103JATP	J24185103		1-	A	G5
R 1183	CHIPRES.	220	1/16W	5%	RMC1/16 221JATP	J24185221		1-	A	G5
R 1184	CHIPRES.	10k	1/16W	5%	RMC1/16 103JATP	J24185103		1-	A	G5
R 1184	CHIPRES.	15k	1/16W	5%	RMC1/16 153JATP	J24185153		30-	A	G5
R 1185	CHIPRES.	100	1/16W	5%	RMC1/16 101JATP	J24185101		1-	A	H5
R 1186	CHIPRES.	10k	1/16W	5%	RMC1/16 103JATP	J24185103		1-	A	G5
R 1187	CHIPRES.	150k	1/16W	5%	RMC1/16 154JATP	J24185154		1-	A	G5
R 1188	CHIPRES.	1k	1/16W	5%	RMC1/16 102JATP	J24185102		1-	A	G5
R 1188	CHIPRES.	470	1/16W	5%	RMC1/16 471JATP	J24185471		30-	A	G5
R 1189	CHIPRES.	220	1/16W	5%	RMC1/16 221JATP	J24185221		1-	A	G6
R 1190	CHIPRES.	10k	1/16W	5%	RMC1/16 103JATP	J24185103		1-	A	G6
R 1190	CHIPRES.	22k	1/16W	5%	RMC1/16 223JATP	J24185223		30-	A	G6
R 1191	CHIPRES.	100	1/16W	5%	RMC1/16 101JATP	J24185101		1-	A	H6
R 1192	CHIPRES.	100k	1/16W	5%	RMC1/16 104JATP	J24185104		1-	A	G6
R 1193	CHIPRES.	100	1/16W	5%	RMC1/16 101JATP	J24185101		1-	A	G6
R 1194	CHIPRES.	1k	1/16W	5%	RMC1/16 102JATP	J24185102		1-	A	G6
R 1195	CHIPRES.	68k	1/16W	5%	RMC1/16 683JATP	J24185683		1-	A	F6
R 1195	CHIPRES.	100k	1/16W	5%	RMC1/16 104JATP	J24185104		30-	A	F6
R 1196	CHIPRES.	47k	1/16W	5%	RMC1/16 473JATP	J24185473		1-	A	F6
R 1196	CHIPRES.	100k	1/16W	5%	RMC1/16 104JATP	J24185104		30-	A	F6
R 1197	CHIPRES.	150k	1/16W	5%	RMC1/16 154JATP	J24185154		1-	A	G6
R 1197	CHIPRES.	15k	1/16W	5%	RMC1/16 153JATP	J24185153		30-	A	G6
R 1198	CHIPRES.	68k	1/16W	5%	RMC1/16 683JATP	J24185683		1-	A	G6
R 1199	CHIPRES.	100k	1/16W	5%	RMC1/16 104JATP	J24185104		1-	A	F6
R 1199	CHIPRES.	150k	1/16W	5%	RMC1/16 154JATP	J24185154		30-	A	F6
R 1200	CHIPRES.	1k	1/16W	5%	RMC1/16 102JATP	J24185102		1	A	F6
R 1200	CHIPRES.	150k	1/16W	5%	RMC1/16 154JATP	J24185154		2-	A	F6
R 1200	CHIPRES.	10k	1/16W	5%	RMC1/16 103JATP	J24185103		30-	A	F6
R 1201	CHIPRES.	330	1/16W	5%	RMC1/16 331JATP	J24185331		1	A	F6



# RX-1 Unit

## Parts List

REF	DESCRIPTION	VALUE	V/W	TOL.	MFR'S DESIG	YAESU P/N	VERS.	LOT	SIDE	LAY ADR
R 1201	CHIPRES.	22k	1/16W	5%	RMC1/16 223JATP	J24185223		2-	A	F6
R 1202	CHIPRES.	10k	1/16W	5%	RMC1/16 103JATP	J24185103		1	A	F6
R 1202	CHIPRES.	150k	1/16W	5%	RMC1/16 154JATP	J24185154		2-	A	F6
R 1203	CHIPRES.	1k	1/16W	5%	RMC1/16 102JATP	J24185102		1	A	F6
R 1203	CHIPRES.	22k	1/16W	5%	RMC1/16 223JATP	J24185223		2-	A	F6
R 1204	CHIPRES.	10k	1/16W	5%	RMC1/16 103JATP	J24185103		1-	A	F6
R 1205	CHIPRES.	100k	1/16W	5%	RMC1/16 104JATP	J24185104		1-	A	F6
R 1206	CHIPRES.	100k	1/16W	5%	RMC1/16 104JATP	J24185104		1-	A	F6
R 1207	CHIPRES.	10k	1/16W	5%	RMC1/16 103JATP	J24185103		1-	A	F6
R 1209	CHIPRES.	33k	1/16W	5%	RMC1/16 333JATP	J24185333		1-	A	H4
R 1210	CHIPRES.	10k	1/16W	5%	RMC1/16 103JATP	J24185103		1-	A	H4
R 1211	CHIPRES.	470	1/16W	5%	RMC1/16 471JATP	J24185471		1-	A	H4
R 1212	CHIPRES.	100	1/16W	5%	RMC1/16 101JATP	J24185101		1-	A	H4
R 1214	CHIPRES.	470	1/16W	5%	RMC1/16 471JATP	J24185471		1-	A	G4
R 1215	CHIPRES.	470	1/16W	5%	RMC1/16 471JATP	J24185471		1-	A	H4
R 1216	CHIPRES.	100k	1/16W	5%	RMC1/16 104JATP	J24185104		1-	A	G4
R 1217	CHIPRES.	150k	1/16W	5%	RMC1/16 154JATP	J24185154		1-	A	G4
R 1218	CHIPRES.	470	1/16W	5%	RMC1/16 471JATP	J24185471		1-	A	G4
R 1219	CHIPRES.	470	1/16W	5%	RMC1/16 471JATP	J24185471		1-	A	G4
R 1220	CHIPRES.	100	1/16W	5%	RMC1/16 101JATP	J24185101		1-	A	H4
R 1221	CHIPRES.	470	1/16W	5%	RMC1/16 471JATP	J24185471		1-	A	G5
R 1222	CHIPRES.	560	1/16W	5%	RMC1/16 561JATP	J24185561		1-	A	G5
R 1223	CHIPRES.	2.2k	1/16W	5%	RMC1/16 222JATP	J24185222		1-	A	G5
R 1224	CHIPRES.	4.7k	1/16W	5%	RMC1/16 472JATP	J24185472		1-	A	F5
R 1225	CHIPRES.	1k	1/16W	5%	RMC1/16 102JATP	J24185102		1-	A	F5
R 1237	CHIPRES.	10k	1/16W	5%	RMC1/16 103JATP	J24185103		1-	A	E5
R 1238	CHIPRES.	10k	1/16W	5%	RMC1/16 103JATP	J24185103		1-	A	E6
R 1239	CHIPRES.	22	1/16W	5%	RMC1/16 220JATP	J24185220		1-	A	E6
R 1241	CHIPRES.	10k	1/16W	5%	RMC1/16 103JATP	J24185103		1-	A	E6
R 1244	CHIPRES.	68k	1/16W	5%	RMC1/16 683JATP	J24185683		1-	A	E6
R 1246	CHIPRES.	10k	1/16W	5%	RMC1/16 103JATP	J24185103		1-	A	A1
R 1247	CHIPRES.	10k	1/16W	5%	RMC1/16 103JATP	J24185103		1-	A	A1
R 1248	CHIPRES.	10k	1/16W	5%	RMC1/16 103JATP	J24185103		1-	A	A1
R 1249	CHIPRES.	10k	1/16W	5%	RMC1/16 103JATP	J24185103		1-	A	B1
R 1250	CHIPRES.	10k	1/16W	5%	RMC1/16 103JATP	J24185103		1-	A	B1
R 1251	CHIPRES.	10k	1/16W	5%	RMC1/16 103JATP	J24185103		1-	A	B1
R 1252	CHIPRES.	10k	1/16W	5%	RMC1/16 103JATP	J24185103		1-	A	B1
R 1253	CHIPRES.	10k	1/16W	5%	RMC1/16 103JATP	J24185103		1-	A	B1
R 1254	CHIPRES.	10k	1/16W	5%	RMC1/16 103JATP	J24185103		1-	A	B1
R 1255	CHIPRES.	10k	1/16W	5%	RMC1/16 103JATP	J24185103		1-	A	B1
R 1256	CHIPRES.	10k	1/16W	5%	RMC1/16 103JATP	J24185103		1-	A	E4
R 1257	CHIPRES.	10k	1/16W	5%	RMC1/16 103JATP	J24185103		1-	A	E4
R 1258	CHIPRES.	10k	1/16W	5%	RMC1/16 103JATP	J24185103		1-	A	E4
R 1259	CHIPRES.	10k	1/16W	5%	RMC1/16 103JATP	J24185103		1-	A	A1
R 1260	CHIPRES.	10k	1/16W	5%	RMC1/16 103JATP	J24185103		1-	A	A1
R 1261	CHIPRES.	10k	1/16W	5%	RMC1/16 103JATP	J24185103		1-	A	B1
R 1262	CHIPRES.	10k	1/16W	5%	RMC1/16 103JATP	J24185103		1-	A	B1
R 1263	CHIPRES.	10k	1/16W	5%	RMC1/16 103JATP	J24185103		1-	A	C1
R 1264	CHIPRES.	10k	1/16W	5%	RMC1/16 103JATP	J24185103		1-	A	C1
R 1265	CHIPRES.	10k	1/16W	5%	RMC1/16 103JATP	J24185103		1-	A	D1
R 1267	CHIPRES.	100	1/16W	5%	RMC1/16 101JATP	J24185101		1-	A	A4
R 1268	CHIPRES.	3.3k	1/16W	5%	RMC1/16 332JATP	J24185332		1-	A	H4
R 1269	CHIPRES.	100	1/16W	5%	RMC1/16 101JATP	J24185101		1-	A	G1
R 1270	CHIPRES.	100	1/16W	5%	RMC1/16 101JATP	J24185101		1-	A	G1
R 1271	CHIPRES.	100	1/16W	5%	RMC1/16 101JATP	J24185101		1-	A	G1
R 1272	CHIPRES.	100	1/16W	5%	RMC1/16 101JATP	J24185101		1-	A	G1
R 1273	CHIPRES.	4.7k	1/16W	5%	RMC1/16 472JATP	J24185472		1-	A	G4
R 1274	CHIPRES.	470	1/16W	5%	RMC1/16 471JATP	J24185471		1-	A	E5
R 1275	CHIPRES.	68k	1/16W	5%	RMC1/16 683JATP	J24185683		1	A	E5
R 1275	CHIPRES.	6.8k	1/16W	5%	RMC1/16 682JATP	J24185682		2-	A	E5
R 1276	CHIPRES.	33k	1/16W	5%	RMC1/16 333JATP	J24185333		1-	A	E5
R 1277	CHIPRES.	100	1/16W	5%	RMC1/16 101JATP	J24185101		1-	A	E5
R 1278	CHIPRES.	470	1/4W	5%	RMC1/4 471JATP	J24245471		1-	A	E6
R 1280	CHIPRES.	18k	1/16W	5%	RMC1/16 183JATP	J24185183		1-	A	G4
R 1281	CHIPRES.	10	1/16W	5%	RMC1/16 100JATP	J24185100		1-	A	H5
R 1283	CHIPRES.	47	1/16W	5%	RMC1/16 470JATP	J24185470		1-	A	E1
R 1284	CHIPRES.	100k	1/16W	5%	RMC1/16 104JATP	J24185104		1-	A	E1
R 1285	CHIPRES.	10k	1/16W	5%	RMC1/16 103JATP	J24185103		1-	A	E1
R 1286	CHIPRES.	47	1/16W	5%	RMC1/16 470JATP	J24185470		1-	A	E1
R 1287	CHIPRES.	100k	1/16W	5%	RMC1/16 104JATP	J24185104		1-	A	E1
R 1288	CHIPRES.	1k	1/16W	5%	RMC1/16 102JATP	J24185102		1-	A	E1
R 1289	CHIPRES.	56	1/16W	5%	RMC1/16 560JATP	J24185560		1-	A	E1
R 1290	CHIPRES.	56	1/16W	5%	RMC1/16 560JATP	J24185560		1-	A	E1

# RX-1 Unit

## Parts List

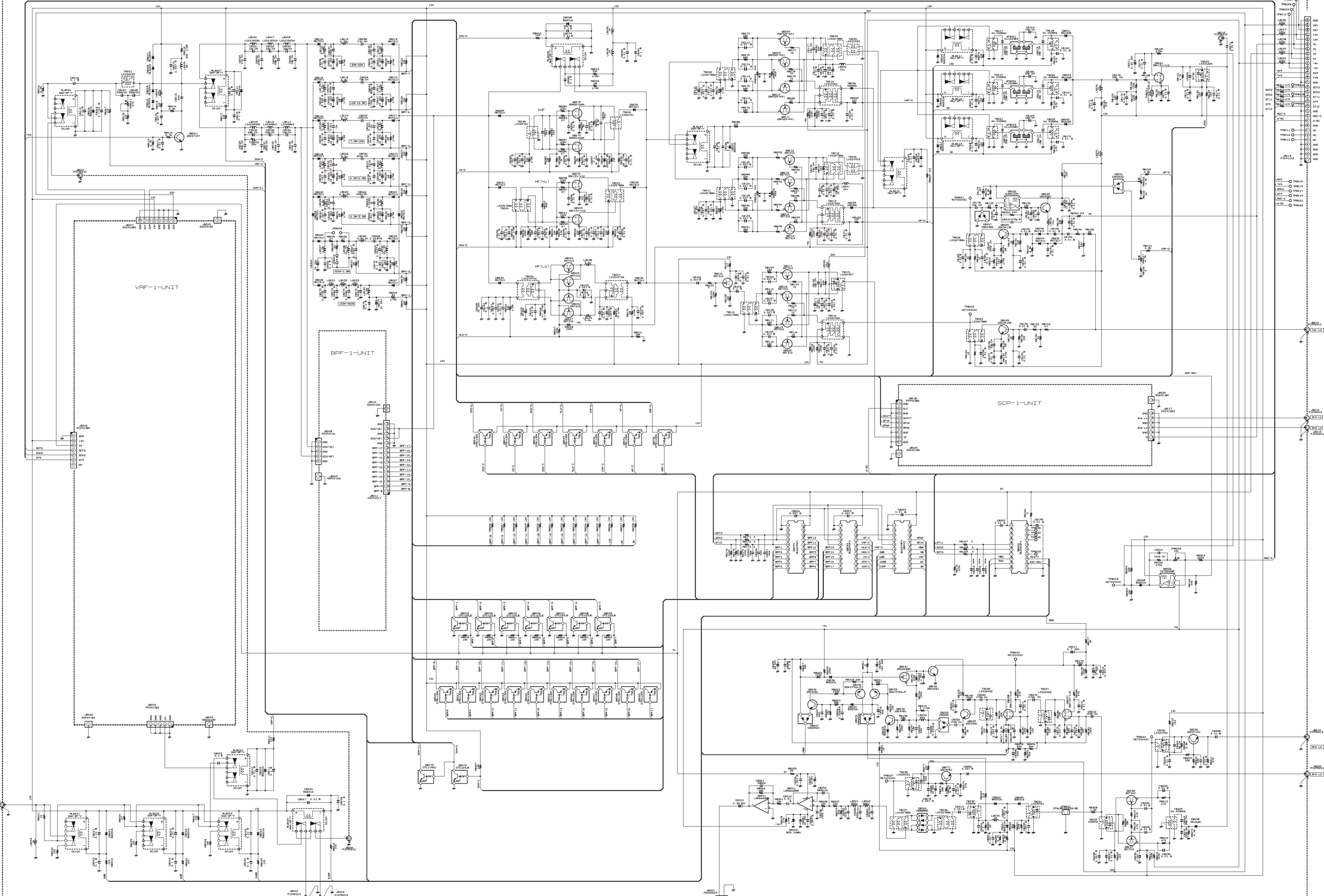
REF	DESCRIPTION	VALUE	V/W	TOL.	MFR'S DESIG	YAESU P/N	VERS.	LOT	SIDE	LAY ADR
R 1291	CHIPRES.	3.3k	1/16W	5%	RMC1/16 332JATP	J24185332		1-	A	E1
R 1292	CHIPRES.	150	1/16W	5%	RMC1/16 151JATP	J24185151		1-	A	E1
R 1296	CHIPRES.	220	1/16W	5%	RMC1/16 221JATP	J24185221		1	A	E1
R 1296	CHIPRES.	100	1/16W	5%	RMC1/16 101JATP	J24185101		2-	A	E1
R 1297	CHIPRES.	47	1/16W	5%	RMC1/16 470JATP	J24185470		1-	A	E2
R 1298	CHIPRES.	100k	1/16W	5%	RMC1/16 104JATP	J24185104		1-	A	E2
R 1299	CHIPRES.	22k	1/16W	5%	RMC1/16 223JATP	J24185223		1-	A	E2
R 1300	CHIPRES.	100	1/16W	5%	RMC1/16 101JATP	J24185101		1-	A	G3
R 1301	CHIPRES.	0	1/16W	5%	RMC1/16 000JATP	J24185000		1-	A	F6
R 1303	CARBON FILM RES.	220k	1/6W	5%	RD16TPJ224 220K	J07225224		1	A	H5
R 1303	CHIPRES.	220k	1/16W	5%	RMC1/16 224JATP	J24185224		2-	A	H5
R 1304	CHIPRES.	22k	1/16W	5%	RMC1/16 223JATP	J24185223		1-	A	H5
R 1305	CHIPRES.	10k	1/16W	5%	RMC1/16 103JATP	J24185103		1-	A	H5
R 1306	CHIPRES.	0	1/16W	5%	RMC1/16 000JATP	J24185000		1		
R 1307	CHIPRES.	10k	1/16W	5%	RMC1/16 103JATP	J24185103		2-	A	A4
R 1308	CARBON FILM RES.	1.2k	1/6W	5%	RD16TPJ122 1.2K	J07225122		2-	A	G5
R 1308	CHIPRES.	1.2k	1/16W	5%	RMC1/16 122JATP	J24185122		4-	A	G5
R 1309	CHIPRES.	470	1/16W	5%	RMC1/16S 471JTH	J24189021		1-	A	F6
R 1309	CHIPRES.	470	1/16W	5%	RMC1/16 471JATP	J24185471		4-	A	F6
R 1310	CHIPRES.	0	1/16W	5%	RMC1/16 000JATP	J24185000		2-	A	G2
R 1311	CHIPRES.	470	1/16W	5%	RMC1/16 471JATP	J24185471		4-	A	H3
R 1312	CHIPRES.	470	1/16W	5%	RMC1/16 471JATP	J24185471		4-	A	H3
R 1313	CHIPRES.	470	1/16W	5%	RMC1/16 471JATP	J24185471		4-	A	H3
R 1314	CHIPRES.	470	1/16W	5%	RMC1/16 471JATP	J24185471		4-	A	H3
R 1315	CHIPRES.	470	1/16W	5%	RMC1/16 471JATP	J24185471		4-	A	H3
R 1316	CHIPRES.	2.2k	1/16W	5%	RMC1/16 222JATP	J24185222		3-		
R 1317	CARBON FILM RES.	3.3k	1/6W	5%	RD16PJ332 3.3K	J01225332		2-		
R 1318	CARBON FILM RES.	22k	1/6W	5%	RD16PJ223 22K	J01225223		30-		
R 1319	CHIPRES.	0	1/4W	5%	RMC1/4 000JATP	J24245000		30-		
RL1001	RELAY		DC12V		G6K-2F-Y-TR DC12V	M1190183		1-	A	B6
RL1002	RELAY		DC12V		G6K-2F-Y-TR DC12V	M1190183		1-	A	B6
RL1003	RELAY		DC12V		G6K-2F-Y-TR DC12V	M1190183		1-	A	B6
RL1004	RELAY		DC12V		G6K-2F-Y-TR DC12V	M1190183		1-	A	D6
RL1005	RELAY		DC12V		G6K-2F-Y-TR DC12V	M1190183		1-	A	C6
RL1006	RELAY		DC12V		G6K-2F-Y-TR DC12V	M1190183		1-	A	A3
RL1007	RELAY		DC12V		G6K-2F-Y-TR DC12V	M1190183		1-	A	B3
RL1008	RELAY		DC12V		G6K-2F-Y-TR DC12V	M1190183		1-	A	E1
RL1009	RELAY		DC12V		G6K-2F-Y-TR DC12V	M1190183		1-	A	E1
RL1010	RELAY		DC12V		G6J-2P-Y DC12V	M1190190		1-	A	G1
RL1011	RELAY		DC12V		G6J-2P-Y DC12V	M1190190		1-	A	G1
RL1012	RELAY		DC12V		G6J-2P-Y DC12V	M1190190		1-	A	G1
RL1013	RELAY		DC12V		G6J-2P-Y DC12V	M1190190		1-	A	G1
T 1001	COIL 07RF	160MHz			160M R12-K905X	L0022053		1-	A	B3
T 1004	COIL 07WIDE				4-1 2D3 TR6X3	L0020788A		1-	A	E2
T 1005	COIL 07WIDE				4-1 2D3 TR6X3	L0020788A		1-	A	E2
T 1006	COIL 07WIDE				2001F	L0021974		1-	A	E2
T 1006	COIL 07WIDE				2001F FR6.3X3.0X2.2	L0021974A		31-	A	E2
T 1007	COIL 07WIDE				2001F	L0021973		1-	A	E2
T 1007	COIL 07WIDE				2001F FR6.3X3.0X2.2	L0021973A		31-	A	E2
T 1008	COIL 07WIDE				4-1 2D3 TR6X3	L0020788A		1-	A	F1
T 1009	COIL 07WIDE				4-1 2D3 TR6X3	L0020788A		1-	A	F1
T 1010	COIL WIDE-TRANS.				4-1 3A	L0021462		1-	A	F1
T 1011	COIL 07WIDE				4-1 2D3 TR6X3	L0020788A		1-	A	F1
T 1011	BALUN TRANSFORMERS				100812907	L0023086		46-	A	F1
T 1012	COIL 07WIDE				4-1 2D3 TR6X3	L0020788A		1-	A	F1
T 1012	BALUN TRANSFORMERS				100812907	L0023086		46-	A	F1
T 1013	COIL WIDE-TRANS.				4-1 3A	L0021462		1-	A	F2
T 1014	COIL 07WIDE				4-1 2D3 TR6X3	L0020788A		1-	A	F2
T 1015	COIL 07RF	73.62MHz			73.62M R12-J757A	L0021957		1-	A	F3
T 1016	COIL WIDE-TRANS.				4-1 3A	L0021462		1-	A	F2
T 1017	COIL 07RF	40.455MHz			M7-T1 R-12W083A	L0022920		1-	A	G1
T 1018	COIL 07RF	40.455MHz			M7-T1 R-12W083A	L0022920		1-	A	H1
T 1019	COIL 07RF	40.455MHz			#223229	L0022919		1-	A	G1
T 1020	COIL 07RF	40.455MHz			#223229	L0022919		1-	A	H1
T 1021	COIL 07RF	40.455MHz			M7-T1 R-12W081A	L0022918		1-	A	G1
T 1022	COIL 07RF	40.455MHz			M7-T1 R-12W081A	L0022918		1-	A	H1
T 1023	COIL 07RF	47.1MHz			47.1M R12-M411A	L0021225		1-	A	H2
T 1024	COIL 07WIDE				4-1 2D3 TR6X3	L0020788A		1-	A	G2
T 1025	COIL 07WIDE				4-1 2D3 TR6X3	L0020788A		1-	A	F3
T 1026	COIL 07RF	47MHz			47.0M	L0021546		1-	A	H4
T 1027	COIL RF				R12°7947C	L0020422		1-	A	G5
T 1028	COIL RF				R12°7947C	L0020422		1-	A	G6
T 1029	COIL 07RF	40.455MHz			M7-T1 R-12W084A	L0022921		1-	A	G4

# RX-1 Unit

## Parts List

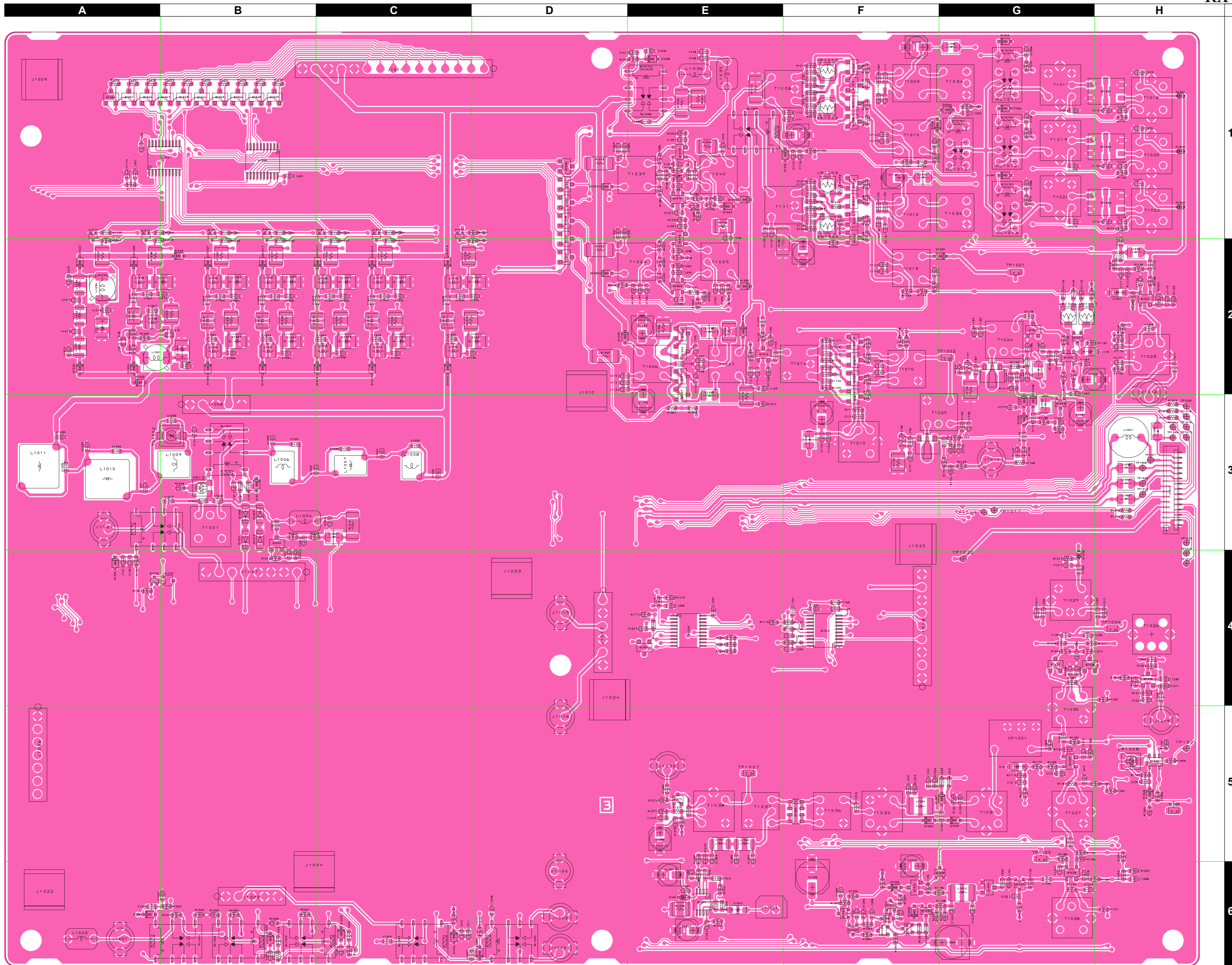
REF	DESCRIPTION	VALUE	V/W	TOL.	MFR'S DESIG	YAESU P/N	VERS.	LOT	SIDE	LAY ADR
T 1030	COIL 07RF	455kHz			#223227	L0022917		1-	A	G4
T 1031	COIL RF				R12°7935A	L0020421		1-	A	G5
T 1032	COIL 07RF	455kHz			K7-H5 R-12W085A	L0022922		1-	A	F5
T 1034	COIL 07WIDE				1-1 3ATR	L0021933		1-	A	G1
T 1035	COIL 07WIDE				1-1 3ATR	L0021933		1-	A	G1
T 1036	COIL 07WIDE				4-1 2D3 TR6X3	L0020788A		1-	A	F5
T 1037	COIL 07WIDE				4-1 2D3 TR6X3	L0020788A		1-	A	E5
T 1038	COIL RF				R12°7935A	L0020421		1-	A	E5
T 1039	COIL 07WIDE				2289-T022	L0022721		1-	A	E1
T 1040	COIL 07WIDE				2289-T022	L0022721		1-	A	E1
TC1002	TRIMMERCAP.	30pF			ECR-JA030E11X	K91000253		1-	A	B3
TH1001	THERMISTOR				157-102-53012TP	G9090071		1-	A	H2
TP1001	CHECKTERMINAL				RCT00000C	Q5000103		1-	A	G2
TP1002	CHECKTERMINAL				RCT00000C	Q5000103		1-	A	G2
TP1003	CHECKTERMINAL				RCT00000C	Q5000103		1-	A	H5
TP1004	CHECKTERMINAL				RCT00000C	Q5000103		1-	A	H4
TP1005	CHECKTERMINAL				RCT00000C	Q5000103		1-	A	G5
TP1027	CHECKTERMINAL				RCT00000C	Q5000103		1-	A	E5
VR1001	POT.	470			RH03A3AS2X 470	J51807471		1	A	B3
VR1001	POT.	470			EVN-5ESX50BQ2	J51811471		2-	A	B3
VR1006	POT.	4.7k			RH03A3AS3X 4.7K	J51807472		1-	A	G2
VR1007	POT.	4.7k			RH03A3AS3X 4.7K	J51807472		1-	A	G2
VR1008	POT.	10k			EVN-5ESX50B14	J51811103		1-	A	H5
XF1001	XTAL FILTER				MFT40R2 40.455MHz 15kHz	H1102386		1-	A	H1
XF1002	XTAL FILTER				MFT40L 40.455MHz 6kHz	H1102387		1-	A	H1
XF1003	XTAL FILTER				MFT40F 40.455MHz 3kHz	H1102388		1-	A	H1

RX2-UNIT BR0 116 30D (8000-8599)

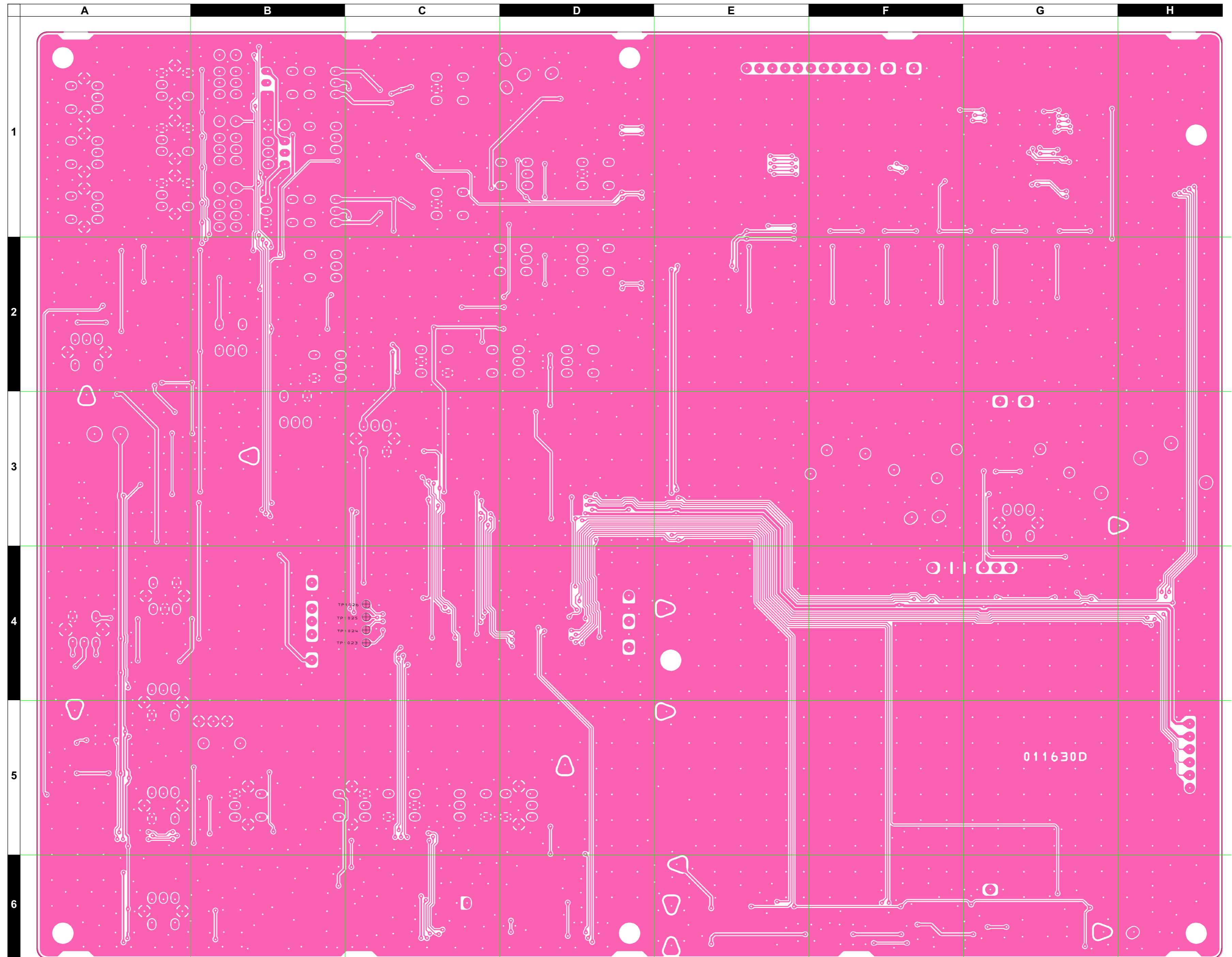


***RX-2 Unit (D, MP Type, RXU-9000)***

*Note*



Side A



# RX-2 Unit (D, MP Type, RXU-9000)

## Parts List

REF	DESCRIPTION	VALUE	V/W	TOL.	MFR'S DESIG	VXSTD P/N	VERS.	LOT	SIDE	LAY ADR
PCB with Components						CB2242001				
Printed Circuit Board						FR011630B		1		
						FR011630C		2-		
						FR011630D		4-		
C 8001	CHIP CAP.	0.01uF	50V	B	GRM188B11H103KA01D	K22174823		1-	A	F5
C 8002	CHIP CAP.	0.1uF	16V	B	GRM188B11C104KA01D	K22124805		1-	A	F5
C 8003	CHIP CAP.	0.01uF	50V	B	GRM188B11H103KA01D	K22174823		1-	A	F5
C 8004	CHIP CAP.	0.1uF	16V	B	GRM188B11C104KA01D	K22124805		1-	A	C6
C 8005	CHIP CAP.	0.01uF	50V	B	GRM188B11H103KA01D	K22174823		1-	A	E6
C 8006	CHIP CAP.	0.1uF	16V	B	GRM188B11C104KA01D	K22124805		1-	A	D6
C 8007	CHIP CAP.	0.01uF	50V	B	GRM188B11H103KA01D	K22174823		1-	A	C6
C 8008	CHIP CAP.	0.1uF	16V	B	GRM188B11C104KA01D	K22124805		1-	A	C6
C 8009	CHIP CAP.	0.1uF	16V	B	GRM188B11C104KA01D	K22124805		1-	A	E4
C 8010	CHIP CAP.	0.01uF	50V	B	GRM188B11H103KA01D	K22174823		1-	A	F4
C 8011	CHIP CAP.	0.1uF	16V	B	GRM188B11C104KA01D	K22124805		1-	A	E6
C 8012	CHIP CAP.	0.1uF	16V	B	GRM188B11C104KA01D	K22124805		1-	A	E6
C 8013	CHIP CAP.	0.01uF	50V	B	GRM188B11H103KA01D	K22174823		1-	A	D6
C 8014	CHIP CAP.	0.047uF	16V	B	GRM39B473K16PT	K22124804		1-	A	E4
C 8014	CHIP CAP.	0.047uF	25V	B	GRM188B11E473KA01D	K22144811		27-	A	E4
C 8016	CHIP CAP.	0.047uF	16V	B	GRM39B473K16PT	K22124804		1-	A	C6
C 8016	CHIP CAP.	0.047uF	25V	B	GRM188B11E473KA01D	K22144811		27-	A	C6
C 8017	CHIP CAP.	0.01uF	50V	B	GRM188B11H103KA01D	K22174823		1-	A	D6
C 8018	CHIP CAP.	0.01uF	50V	B	GRM188B11H103KA01D	K22174823		1-	A	D6
C 8019	CHIP CAP.	0.1uF	16V	B	GRM188B11C104KA01D	K22124805		1-	A	D6
C 8020	CHIP CAP.	47pF	50V	CH	GRM1882C1H470JA01D	K22174227		1-	A	E6
C 8021	CHIP CAP.	10pF	50V	CH	GRM1882C1H100RZ01D	K22174248		1-	A	E6
C 8022	CHIP CAP.	100pF	50V	CH	GRM1882C1H101JA01D	K22174235		1-	A	E6
C 8023	CHIP CAP.	33pF	50V	CH	GRM1882C1H330JA01D	K22174223		1-	A	E5
C 8024	CHIP CAP.	68pF	50V	CH	GRM1882C1H680JA01D	K22174231		1-	A	E4
C 8025	CHIP CAP.	56pF	50V	CH	GRM1882C1H560JA01D	K22174229		1-	A	D6
C 8026	CHIP CAP.	12pF	50V	CH	GRM1882C1H120JA01D	K22174213		2-	A	E6
C 8027	CHIP CAP.	330pF	50V	CH	GRM1882C1H331JA01D	K22174253		1-	A	E6
C 8028	CHIP CAP.	330pF	50V	CH	GRM1882C1H331JA01D	K22174253		1-	A	F5
C 8029	CHIP CAP.	82pF	50V	CH	GRM1882C1H820JA01D	K22174233		1-	A	C6
C 8030	CHIP CAP.	68pF	50V	CH	GRM1882C1H680JA01D	K22174231		1-	A	D6
C 8031	CHIP CAP.	180pF	50V	CH	GRM1882C1H181JA01D	K22174241		1-	A	E6
C 8032	CHIP CAP.	22pF	50V	CH	GRM1882C1H220JA01D	K22174219		1-	A	E6
C 8033	CHIP CAP.	220pF	50V	CH	GRM1882C1H221JA01D	K22174243		1-	A	E4
C 8034	CHIP CAP.	15pF	50V	CH	GRM1882C1H150JA01D	K22174215		1-	A	D6
C 8035	CHIP CAP.	100pF	50V	CH	GRM1882C1H101JA01D	K22174235		1-	A	E6
C 8036	CHIP CAP.	0.01uF	50V	B	GRM188B11H103KA01D	K22174823		1-	A	E6
C 8037	CHIP CAP.	150pF	50V	CH	GRM1882C1H151JA01D	K22174239		1-	A	C6
C 8038	CHIP CAP.	47pF	50V	CH	GRM1882C1H470JA01D	K22174227		1-	A	D5
C 8039	CHIP CAP.	150pF	50V	CH	GRM1882C1H151JA01D	K22174239		1-	A	D5
C 8040	CHIP CAP.	0.01uF	50V	B	GRM188B11H103KA01D	K22174823		1-	A	D5
C 8041	CHIP TA.CAP.	10uF	20V		TEESVB21D106M8R	K78130028		1-	A	D5
C 8042	CHIP CAP.	0.022uF	25V	B	GRM39B223K25PT	K22144807		1-	A	E5
C 8042	CHIP CAP.	0.022uF	50V	B	GRM188B11H223KA01D	K22174839		27-	A	E5
C 8043	CHIP CAP.	820pF	50V	B	GRM188B11H821KA01D	K22174808		1-	A	E5
C 8044	CHIP CAP.	75pF	50V	CH	GRM1882C1H750JZ01D	K22174232		1-	A	C5
C 8045	CHIP CAP.	820pF	50V	B	GRM188B11H821KA01D	K22174808		1-	A	E4
C 8046	CHIP CAP.	0.022uF	25V	B	GRM39B223K25PT	K22144807		1-	A	F5
C 8046	CHIP CAP.	0.022uF	50V	B	GRM188B11H223KA01D	K22174839		27-	A	F5
C 8047	CHIP TA.CAP.	10uF	20V		TEESVB21D106M8R	K78130028		1-	A	E5
C 8048	CHIP CAP.	0.047uF	16V	B	GRM39B473K16PT	K22124804		1-	A	E5
C 8048	CHIP CAP.	0.047uF	25V	B	GRM188B11E473KA01D	K22144811		27-	A	E5
C 8049	CHIP CAP.	0.001uF	25V	CH	GRM1882C1E102JA01D	K22144204		1-	A	E5
C 8050	CHIP CAP.	120pF	50V	CH	GRM1882C1H121JA01D	K22174237		1-	A	D5
C 8051	CHIP CAP.	0.001uF	25V	CH	GRM1882C1E102JA01D	K22144204		1-	A	D5
C 8052	CHIP CAP.	0.047uF	16V	B	GRM39B473K16PT	K22124804		1-	A	D5
C 8052	CHIP CAP.	0.047uF	25V	B	GRM188B11E473KA01D	K22144811		27-	A	D5
C 8053	CHIP TA.CAP.	10uF	20V		TEESVB21D106M8R	K78130028		1-	A	E5
C 8054	CHIP CAP.	0.047uF	16V	B	GRM39B473K16PT	K22124804		1-	A	D5
C 8054	CHIP CAP.	0.047uF	25V	B	GRM188B11E473KA01D	K22144811		27-	A	D5
C 8055	CHIP CAP.	0.0012uF	50V	B	GRM188B11H122KA01D	K22174826		1-	A	D5
C 8056	CHIP CAP.	300pF	50V	CH	GRM1882C1H301JA01D	K22174252		1-	A	E5
C 8057	CHIP CAP.	0.0012uF	50V	B	GRM188B11H122KA01D	K22174826		1-	A	C5
C 8058	CHIP CAP.	0.047uF	16V	B	GRM39B473K16PT	K22124804		1-	A	C5
C 8058	CHIP CAP.	0.047uF	25V	B	GRM188B11E473KA01D	K22144811		27-	A	C5
C 8059	CHIP TA.CAP.	10uF	20V		TEESVB21D106M8R	K78130028		1-	A	C5
C 8060	CHIP CAP.	0.047uF	16V	B	GRM39B473K16PT	K22124804		1-	A	E6
C 8060	CHIP CAP.	0.047uF	25V	B	GRM188B11E473KA01D	K22144811		27-	A	E6
C 8061	CHIP CAP.	0.0022uF	50V	B	GRM188B11H222KA01D	K22174822		1-	A	E4



# RX-2 Unit (D, MP Type, RXU-9000)

## Parts List

REF	DESCRIPTION	VALUE	V/W	TOL.	MFR'S DESIG	VXSTD P/N	VERS.	LOT	SIDE	LAY ADR
C 8062	CHIP CAP.	430pF	50V	CH	GRM1882C1H431JA01D	K22174256		1-	A	E4
C 8063	CHIP CAP.	0.0022uF	50V	B	GRM188B11H222KA01D	K22174822		1-	A	E5
C 8064	CHIP CAP.	0.047uF	16V	B	GRM39B473K16PT	K22124804		1-	A	E4
C 8064	CHIP CAP.	0.047uF	25V	B	GRM188B11E473KA01D	K22144811		27-	A	E4
C 8065	CHIP TA.CAP.	10uF	20V		TEESVB21D106M8R	K78130028		1-	A	C5
C 8066	CHIP CAP.	0.1uF	16V	B	GRM188B11C104KA01D	K22124805		1-	A	C4
C 8067	CHIP CAP.	0.0027uF	50V	B	GRM188B11H272KA01D	K22174829		1-	A	E6
C 8068	CHIP CAP.	0.0039uF	50V	B	GRM188B11H392KA01D	K22174830		1-	A	E6
C 8069	CHIP CAP.	0.0027uF	50V	B	GRM188B11H272KA01D	K22174829		1-	A	E6
C 8070	CHIP CAP.	0.1uF	16V	B	GRM188B11C104KA01D	K22124805		1-	A	D5
C 8071	CHIP TA.CAP.	10uF	20V		TEESVB21D106M8R	K78130028		1-	A	E4
C 8072	CHIP CAP.	0.0022uF	50V	B	GRM188B11H222KA01D	K22174822		1-	A	C4
C 8073	CHIP CAP.	0.0082uF	25V	B	GRM39B822M25PT	K22144801		1-	A	E4
C 8073	CHIP CAP.	0.0082uF	50V	B	GRM188B11H822KA01D	K22174837		27-	A	E4
C 8074	CHIP CAP.	0.0082uF	25V	B	GRM39B822M25PT	K22144801		1-	A	C5
C 8074	CHIP CAP.	0.0082uF	50V	B	GRM188B11H822KA01D	K22174837		27-	A	C5
C 8075	CHIP CAP.	0.0022uF	50V	B	GRM188B11H222KA01D	K22174822		1-	A	C4
C 8076	CHIP CAP.	0.1uF	16V	B	GRM188B11C104KA01D	K22124805		1-	A	C6
C 8077	CHIP TA.CAP.	10uF	20V		TEESVB21D106M8R	K78130028		1-	A	D4
C 8078	CHIP CAP.	0.1uF	16V	B	GRM188B11C104KA01D	K22124805		1-	A	C6
C 8079	CHIP CAP.	0.01uF	50V	B	GRM188B11H103KA01D	K22174823		1-	A	C6
C 8080	CHIP CAP.	0.01uF	50V	B	GRM188B11H103KA01D	K22174823		1-	A	D5
C 8081	CHIP CAP.	0.1uF	16V	B	GRM188B11C104KA01D	K22124805		1-		
C 8082	CHIP CAP.	0.1uF	16V	B	GRM188B11C104KA01D	K22124805		1-	A	C4
C 8083	CHIP CAP.	0.047uF	16V	B	GRM39B473K16PT	K22124804		1-	A	A6
C 8083	CHIP CAP.	0.047uF	25V	B	GRM188B11E473KA01D	K22144811		27-	A	A6
C 8084	CHIP CAP.	0.001uF	50V	B	GRM188B11H102KA01D	K22174821		1-	A	D4
C 8090	CHIP CAP.	0.01uF	50V	B	GRM188B11H103KA01D	K22174823		1-	A	D5
C 8091	CHIP CAP.	0.001uF	50V	B	GRM188B11H102KA01D	K22174821		1-	A	D4
C 8092	CHIP CAP.	0.01uF	50V	B	GRM188B11H103KA01D	K22174823		1-	A	D4
C 8093	CHIP CAP.	0.01uF	50V	B	GRM188B11H103KA01D	K22174823		1-	A	A6
C 8094	CHIP CAP.	0.01uF	50V	B	GRM188B11H103KA01D	K22174823		1-	A	C3
C 8095	CHIP CAP.	0.01uF	50V	B	GRM188B11H103KA01D	K22174823		1-	A	D5
C 8096	CHIP CAP.	0.01uF	50V	B	GRM188B11H103KA01D	K22174823		1-	A	A6
C 8097	CHIP CAP.	0.001uF	50V	B	GRM188B11H102KA01D	K22174821		1-	A	E5
C 8098	CHIP CAP.	0.01uF	50V	B	GRM188B11H103KA01D	K22174823		1-	A	D5
C 8099	AL.ELECTRO.CAP.	10uF	35V		ECEV1VA100WR	K48160004		1-	A	D5
C 8099	AL.ELECTRO.CAP.	10uF	35V		EEE1VA100WR	K48160006		9-	A	D5
C 8100	CHIP CAP.	0.1uF	16V	B	GRM188B11C104KA01D	K22124805		1-	A	A6
C 8101	CHIP CAP.	0.047uF	16V	B	GRM39B473K16PT	K22124804		1-	A	D5
C 8101	CHIP CAP.	0.047uF	25V	B	GRM188B11E473KA01D	K22144811		27-	A	D5
C 8102	CHIP CAP.	0.001uF	50V	B	GRM188B11H102KA01D	K22174821		1-	A	D5
C 8103	AL.ELECTRO.CAP.	10uF	35V		ECEV1VA100WR	K48160004		1-	A	D4
C 8103	AL.ELECTRO.CAP.	10uF	35V		EEE1VA100WR	K48160006		9-	A	D4
C 8104	CHIP CAP.	0.01uF	50V	B	GRM188B11H103KA01D	K22174823		1-	A	C5
C 8105	CHIP CAP.	0.047uF	16V	B	GRM39B473K16PT	K22124804		1-	A	C3
C 8105	CHIP CAP.	0.047uF	25V	B	GRM188B11E473KA01D	K22144811		27-	A	C3
C 8106	CHIP CAP.	0.01uF	50V	B	GRM188B11H103KA01D	K22174823		1-	A	C5
C 8107	CHIP CAP.	0.01uF	50V	B	GRM188B11H103KA01D	K22174823		1-	A	D4
C 8108	CHIP CAP.	0.047uF	16V	B	GRM39B473K16PT	K22124804		1-	A	C6
C 8108	CHIP CAP.	0.047uF	25V	B	GRM188B11E473KA01D	K22144811		27-	A	C6
C 8109	CHIP CAP.	0.047uF	16V	B	GRM39B473K16PT	K22124804		1-	A	C3
C 8109	CHIP CAP.	0.047uF	25V	B	GRM188B11E473KA01D	K22144811		27-	A	C3
C 8110	AL.ELECTRO.CAP.	10uF	35V		ECEV1VA100WR	K48160004		1-	A	E5
C 8110	AL.ELECTRO.CAP.	10uF	35V		EEE1VA100WR	K48160006		9-	A	E5
C 8111	CHIP CAP.	0.047uF	16V	B	GRM39B473K16PT	K22124804		1-	A	C6
C 8111	CHIP CAP.	0.047uF	25V	B	GRM188B11E473KA01D	K22144811		27-	A	C6
C 8112	CHIP CAP.	0.001uF	50V	B	GRM188B11H102KA01D	K22174821		1-	A	A6
C 8113	CHIP CAP.	0.01uF	50V	B	GRM188B11H103KA01D	K22174823		1-	A	A6
C 8114	CHIP CAP.	0.01uF	50V	B	GRM188B11H103KA01D	K22174823		1-	A	A6
C 8115	CHIP CAP.	0.01uF	50V	B	GRM188B11H103KA01D	K22174823		1-	A	C6
C 8116	CHIP CAP.	0.01uF	50V	B	GRM188B11H103KA01D	K22174823		1-	A	C6
C 8117	CHIP CAP.	15pF	50V	CH	GRM1882C1H150JA01D	K22174215		1-	A	D5
C 8118	AL.ELECTRO.CAP.	10uF	35V		ECEV1VA100WR	K48160004		1-	A	C3
C 8118	AL.ELECTRO.CAP.	10uF	35V		EEE1VA100WR	K48160006		9-	A	C3
C 8119	CHIP CAP.	0.01uF	50V	B	GRM188B11H103KA01D	K22174823		1-	A	A6
C 8120	CHIP CAP.	0.001uF	50V	B	GRM188B11H102KA01D	K22174821		1-	A	D4
C 8122	CHIP CAP.	0.001uF	50V	B	GRM188B11H102KA01D	K22174821		1-	A	E5
C 8123	CHIP CAP.	0.01uF	50V	B	GRM188B11H103KA01D	K22174823		1-	A	E5
C 8124	CHIP CAP.	0.01uF	50V	B	GRM188B11H103KA01D	K22174823		1-	A	C6
C 8125	CHIP CAP.	0.01uF	50V	B	GRM188B11H103KA01D	K22174823		1-	A	C3
C 8126	CHIP CAP.	0.1uF	16V	B	GRM188B11C104KA01D	K22124805		1-	A	A5
C 8127	AL.ELECTRO.CAP.	10uF	35V		ECEV1VA100WR	K48160004		1-	A	E5

# RX-2 Unit (D, MP Type, RXU-9000)

## Parts List

REF	DESCRIPTION	VALUE	V/W	TOL.	MFR'S DESIG	VXSTD P/N	VERS.	LOT	SIDE	LAY ADR
C 8127	AL.ELECTRO.CAP.	10uF	35V		EEE1VA100WR	K48160006		9-	A	E5
C 8128	CHIP CAP.	0.047uF	16V	B	GRM39B473K16PT	K22124804		1-	A	A5
C 8128	CHIP CAP.	0.047uF	25V	B	GRM188B11E473KA01D	K22144811		27-	A	A5
C 8129	CHIP CAP.	0.001uF	50V	B	GRM188B11H102KA01D	K22174821		1-	A	C4
C 8130	CHIP CAP.	0.047uF	16V	B	GRM39B473K16PT	K22124804		1-	A	E5
C 8130	CHIP CAP.	0.047uF	25V	B	GRM188B11E473KA01D	K22144811		27-	A	E5
C 8131	CHIP CAP.	0.047uF	16V	B	GRM39B473K16PT	K22124804		1-	A	C3
C 8131	CHIP CAP.	0.047uF	25V	B	GRM188B11E473KA01D	K22144811		27-	A	C3
C 8132	CHIP CAP.	0.047uF	16V	B	GRM39B473K16PT	K22124804		1-	A	A5
C 8132	CHIP CAP.	0.047uF	25V	B	GRM188B11E473KA01D	K22144811		27-	A	A5
C 8133	CHIP CAP.	0.047uF	16V	B	GRM39B473K16PT	K22124804		1-	A	A5
C 8133	CHIP CAP.	0.047uF	25V	B	GRM188B11E473KA01D	K22144811		27-	A	A5
C 8134	CHIP CAP.	15pF	50V	CH	GRM1882C1H150JA01D	K22174215		1-	A	A6
C 8135	AL.ELECTRO.CAP.	10uF	35V		ECEV1VA100WR	K48160004		1-	A	D5
C 8135	AL.ELECTRO.CAP.	10uF	35V		EEE1VA100WR	K48160006		9-	A	D5
C 8136	CHIP CAP.	0.01uF	50V	B	GRM188B11H103KA01D	K22174823		1-	A	A5
C 8137	CHIP CAP.	0.001uF	50V	B	GRM188B11H102KA01D	K22174821		1-	A	B6
C 8139	CHIP CAP.	0.001uF	50V	B	GRM188B11H102KA01D	K22174821		1-	A	E5
C 8140	CHIP CAP.	0.01uF	50V	B	GRM188B11H103KA01D	K22174823		1-	A	C4
C 8141	CHIP CAP.	0.01uF	50V	B	GRM188B11H103KA01D	K22174823		1-	A	C4
C 8142	CHIP CAP.	0.047uF	16V	B	GRM39B473K16PT	K22124804		1-	A	B6
C 8142	CHIP CAP.	0.047uF	25V	B	GRM188B11E473KA01D	K22144811		27-	A	B6
C 8143	CHIP CAP.	0.1uF	16V	B	GRM188B11C104KA01D	K22124805		1-	A	B6
C 8144	CHIP CAP.	0.01uF	50V	B	GRM188B11H103KA01D	K22174823		1-	A	C3
C 8145	CHIP CAP.	0.1uF	16V	B	GRM188B11C104KA01D	K22124805		1-	A	D5
C 8146	CHIP CAP.	0.047uF	16V	B	GRM39B473K16PT	K22124804		1-	A	E5
C 8146	CHIP CAP.	0.047uF	25V	B	GRM188B11E473KA01D	K22144811		27-	A	E5
C 8147	CHIP CAP.	0.047uF	16V	B	GRM39B473K16PT	K22124804		1-		
C 8147	CHIP CAP.	0.047uF	25V	B	GRM188B11E473KA01D	K22144811		27-		
C 8148	CHIP CAP.	0.047uF	16V	B	GRM39B473K16PT	K22124804		1-	A	D5
C 8148	CHIP CAP.	0.047uF	25V	B	GRM188B11E473KA01D	K22144811		27-	A	D5
C 8149	CHIP CAP.	0.047uF	16V	B	GRM39B473K16PT	K22124804		1-	A	D5
C 8149	CHIP CAP.	0.047uF	25V	B	GRM188B11E473KA01D	K22144811		27-	A	D5
C 8150	CHIP CAP.	18pF	50V	CH	GRM1882C1H180JA01D	K22174217		1-	A	E5
C 8151	AL.ELECTRO.CAP.	10uF	35V		ECEV1VA100WR	K48160004		1-	A	E5
C 8151	AL.ELECTRO.CAP.	10uF	35V		EEE1VA100WR	K48160006		9-	A	E5
C 8152	CHIP CAP.	0.01uF	50V	B	GRM188B11H103KA01D	K22174823		1-	A	D5
C 8153	CHIP CAP.	0.001uF	50V	B	GRM188B11H102KA01D	K22174821		1-	A	E5
C 8154	CHIP CAP.	0.001uF	50V	B	GRM188B11H102KA01D	K22174821		1-	A	D5
C 8155	CHIP CAP.	0.01uF	50V	B	GRM188B11H103KA01D	K22174823		1-	A	D5
C 8163	CHIP CAP.	10pF	50V	CH	GRM1882C1H100JA01D	K22174211		1-	A	B6
C 8164	CHIP CAP.	0.01uF	50V	B	GRM188B11H103KA01D	K22174823		1-		
C 8166	CHIP CAP.	33pF	50V	CH	GRM1882C1H330JA01D	K22174223		1-	A	B4
C 8167	CHIP CAP.	0.01uF	50V	B	GRM188B11H103KA01D	K22174823		1-	A	E4
C 8169	CHIP CAP.	68pF	50V	CH	GRM1882C1H680JA01D	K22174231		1-		
C 8170	CHIP CAP.	0.01uF	50V	B	GRM188B11H103KA01D	K22174823		1-	A	B6
C 8171	CHIP CAP.	0.01uF	50V	B	GRM188B11H103KA01D	K22174823		1-		
C 8172	CHIP CAP.	33pF	50V	CH	GRM1882C1H330JA01D	K22174223		1-	A	C5
C 8173	CHIP CAP.	0.01uF	50V	B	GRM188B11H103KA01D	K22174823		1-		
C 8174	CHIP CAP.	0.01uF	50V	B	GRM188B11H103KA01D	K22174823		1-	A	B5
C 8175	CHIP CAP.	0.01uF	50V	B	GRM188B11H103KA01D	K22174823		1-		
C 8176	CHIP CAP.	0.01uF	50V	B	GRM188B11H103KA01D	K22174823		1-	A	C4
C 8177	CHIP CAP.	0.01uF	50V	B	GRM188B11H103KA01D	K22174823		1-	A	B6
C 8178	CHIP CAP.	10pF	50V	CH	GRM1882C1H100JA01D	K22174211		1-	A	B6
C 8179	CHIP TA.CAP.	1uF	16V		TEESVA1C105M8R	K78120009		1-	A	B5
C 8180	CHIP CAP.	0.01uF	50V	B	GRM188B11H103KA01D	K22174823		1-	A	C5
C 8181	AL.ELECTRO.CAP.	10uF	35V		ECEV1VA100WR	K48160004		1-	A	C5
C 8181	AL.ELECTRO.CAP.	10uF	35V		EEE1VA100WR	K48160006		9-	A	C5
C 8182	CHIP CAP.	0.01uF	50V	B	GRM188B11H103KA01D	K22174823		1-	A	B6
C 8183	AL.ELECTRO.CAP.	10uF	35V		ECEV1VA100WR	K48160004		1-	A	B4
C 8183	AL.ELECTRO.CAP.	10uF	35V		EEE1VA100WR	K48160006		9-	A	B4
C 8184	CHIP CAP.	0.01uF	50V	B	GRM188B11H103KA01D	K22174823		1-	A	B4
C 8185	CHIP CAP.	0.01uF	50V	B	GRM188B11H103KA01D	K22174823		1-	A	C5
C 8186	CHIP CAP.	0.01uF	50V	B	GRM188B11H103KA01D	K22174823		1-	A	B6
C 8187	CHIP CAP.	330pF	50V	CH	GRM1882C1H331JA01D	K22174253		1-	A	B4
C 8188	CHIP CAP.	0.01uF	50V	B	GRM188B11H103KA01D	K22174823		1	A	B4
C 8189	CHIP CAP.	0.01uF	50V	B	GRM188B11H103KA01D	K22174823		1-	A	B5
C 8190	CHIP CAP.	0.01uF	50V	B	GRM188B11H103KA01D	K22174823		1-	A	B4
C 8191	CHIP CAP.	0.01uF	50V	B	GRM188B11H103KA01D	K22174823		1-	A	B4
C 8192	CHIP CAP.	0.01uF	50V	B	GRM188B11H103KA01D	K22174823		1-	A	B4
C 8193	CHIP CAP.	0.01uF	50V	B	GRM188B11H103KA01D	K22174823		1-		
C 8194	CHIP CAP.	0.01uF	50V	B	GRM188B11H103KA01D	K22174823		1-	A	B4
C 8195	CHIP CAP.	0.01uF	50V	B	GRM188B11H103KA01D	K22174823		1-	A	B4

# RX-2 Unit (D, MP Type, RXU-9000)

## Parts List

REF	DESCRIPTION	VALUE	V/W	TOL.	MFR'S DESIG	VXSTD P/N	VERS.	LOT	SIDE	LAY ADR
C 8196	CHIP CAP.	180pF	50V	CH	GRM1882C1H181JA01D	K22174241		1-	A	A6
C 8196	CHIP CAP.	47pF	50V	CH	GRM1882C1H470JA01D	K22174227		28-	A	A6
C 8196	CHIP CAP.	33pF	50V	CH	GRM1882C1H330JA01D	K22174223		30-	A	A6
C 8197	CHIP CAP.	0.01uF	50V	B	GRM188B11H103KA01D	K22174823		1-	A	B4
C 8198	CHIP CAP.	0.01uF	50V	B	GRM188B11H103KA01D	K22174823		1-		
C 8199	CHIP CAP.	0.01uF	50V	B	GRM188B11H103KA01D	K22174823		1-	A	A3
C 8200	CHIP CAP.	0.01uF	50V	B	GRM188B11H103KA01D	K22174823		1-	A	B4
C 8204	CHIP CAP.	0.01uF	50V	B	GRM188B11H103KA01D	K22174823		1-	A	A5
C 8205	CHIP CAP.	0.047uF	16V	B	GRM39B473K16PT	K22124804		1-	A	B5
C 8205	CHIP CAP.	0.047uF	25V	B	GRM188B11E473KA01D	K22144811		27-	A	B5
C 8206	CHIP CAP.	0.047uF	16V	B	GRM39B473K16PT	K22124804		1-	A	A4
C 8206	CHIP CAP.	0.047uF	25V	B	GRM188B11E473KA01D	K22144811		27-	A	A4
C 8210	CHIP CAP.	0.047uF	16V	B	GRM39B473K16PT	K22124804		1-	A	B3
C 8210	CHIP CAP.	0.047uF	25V	B	GRM188B11E473KA01D	K22144811		27-	A	B3
C 8211	CHIP TA.CAP.	1uF	16V		TEESVA1C105M8R	K78120009		1-	A	A3
C 8212	CHIP CAP.	100pF	50V	CH	GRM1882C1H101JA01D	K22174235		1-	A	A2
C 8213	CHIP CAP.	0.047uF	16V	B	GRM39B473K16PT	K22124804		1-	A	B2
C 8213	CHIP CAP.	0.047uF	25V	B	GRM188B11E473KA01D	K22144811		27-	A	B2
C 8213	CHIP CAP.	0.01uF	50V	B	GRM188B11H103KA01D	K22174823		30-	A	B2
C 8214	CHIP CAP.	0.047uF	16V	B	GRM39B473K16PT	K22124804		1-	A	A3
C 8214	CHIP CAP.	0.047uF	25V	B	GRM188B11E473KA01D	K22144811		27-	A	A3
C 8215	CHIP CAP.	0.047uF	16V	B	GRM39B473K16PT	K22124804		1-	A	A6
C 8215	CHIP CAP.	0.047uF	25V	B	GRM188B11E473KA01D	K22144811		27-	A	A6
C 8216	CHIP CAP.	470pF	50V	CH	GRM1882C1H471JA01D	K22174249		1-	A	D3
C 8217	CHIP CAP.	0.047uF	16V	B	GRM39B473K16PT	K22124804		1-		
C 8217	CHIP CAP.	0.047uF	25V	B	GRM188B11E473KA01D	K22144811		27-		
C 8217	CHIP CAP.	0.01uF	50V	B	GRM188B11H103KA01D	K22174823		30-		
C 8218	CHIP CAP.	0.047uF	16V	B	GRM39B473K16PT	K22124804		1-	A	A2
C 8218	CHIP CAP.	0.047uF	25V	B	GRM188B11E473KA01D	K22144811		27-	A	A2
C 8219	CHIP CAP.	0.047uF	16V	B	GRM39B473K16PT	K22124804		1-	A	B3
C 8219	CHIP CAP.	0.047uF	25V	B	GRM188B11E473KA01D	K22144811		27-	A	B3
C 8220	CHIP CAP.	470pF	50V	CH	GRM1882C1H471JA01D	K22174249		1-	A	B3
C 8221	CHIP CAP.	0.047uF	16V	B	GRM39B473K16PT	K22124804		1-	A	A3
C 8221	CHIP CAP.	0.047uF	25V	B	GRM188B11E473KA01D	K22144811		27-	A	A3
C 8222	CHIP CAP.	470pF	50V	CH	GRM1882C1H471JA01D	K22174249		1-	A	A3
C 8222	CHIP CAP.	100pF	50V	CH	GRM1882C1H101JA01D	K22174235		30-	A	A3
C 8223	AL.ELECTRO.CAP.	1uF	50V		ECEV1HA010SR	K48170019		1-	A	A4
C 8223	AL.ELECTRO.CAP.	1uF	50V		EEE1HA010SR	K48170027		23-	A	A4
C 8223	AL.ELECTRO.CAP.	0.1uF	50V		EEE1HA0R1SR	K48170028		30-	A	A4
C 8224	CHIP CAP.	0.001uF	50V	B	GRM188B11H102KA01D	K22174821		1-	A	B3
C 8224	CHIP CAP.	0.0033uF	50V	B	GRM188B11H332KA01D	K22174815		30-	A	B3
C 8225	CHIP CAP.	0.001uF	50V	B	GRM188B11H102KA01D	K22174821		1-29	A	D3
C 8226	CHIP CAP.	0.047uF	16V	B	GRM39B473K16PT	K22124804		1-1	A	A2
C 8226	CHIP CAP.	0.0068uF	50V	B	GRM188B11H682KA01D	K22174819		30-	A	A2
C 8227	CHIP CAP.	0.01uF	50V	B	GRM188B11H103KA01D	K22174823		1-29	A	A2
C 8228	CHIP CAP.	0.01uF	50V	B	GRM188B11H103KA01D	K22174823		1-	A	A3
C 8229	CHIP CAP.	0.01uF	50V	B	GRM188B11H103KA01D	K22174823		1-	A	A3
C 8230	CHIP CAP.	0.01uF	50V	B	GRM188B11H103KA01D	K22174823		1-	A	A4
C 8232	CHIP CAP.	0.01uF	50V	B	GRM188B11H103KA01D	K22174823		1-	A	B3
C 8233	CHIP CAP.	0.01uF	50V	B	GRM188B11H103KA01D	K22174823		1-	A	B3
C 8234	CHIP CAP.	0.01uF	50V	B	GRM188B11H103KA01D	K22174823		1-	A	A2
C 8235	CHIP CAP.	0.01uF	50V	B	GRM188B11H103KA01D	K22174823		1-	A	A2
C 8236	CHIP CAP.	0.047uF	16V	B	GRM39B473K16PT	K22124804		1-	A	A2
C 8236	CHIP CAP.	0.047uF	25V	B	GRM188B11E473KA01D	K22144811		27-	A	A2
C 8237	CHIP CAP.	0.01uF	50V	B	GRM188B11H103KA01D	K22174823		1-	A	A2
C 8238	CHIP CAP.	0.047uF	16V	B	GRM39B473K16PT	K22124804		1-		
C 8238	CHIP CAP.	0.047uF	25V	B	GRM188B11E473KA01D	K22144811		27-		
C 8239	CHIP CAP.	0.047uF	16V	B	GRM39B473K16PT	K22124804		1-	A	A2
C 8239	CHIP CAP.	0.047uF	25V	B	GRM188B11E473KA01D	K22144811		27-	A	A2
C 8240	CHIP CAP.	0.047uF	16V	B	GRM39B473K16PT	K22124804		1-	A	B3
C 8240	CHIP CAP.	0.047uF	25V	B	GRM188B11E473KA01D	K22144811		27-	A	B3
C 8241	CHIP CAP.	0.047uF	16V	B	GRM39B473K16PT	K22124804		1-	A	B3
C 8241	CHIP CAP.	0.047uF	25V	B	GRM188B11E473KA01D	K22144811		27-	A	B3
C 8242	CHIP CAP.	0.047uF	16V	B	GRM39B473K16PT	K22124804		1-	A	B3
C 8242	CHIP CAP.	0.047uF	25V	B	GRM188B11E473KA01D	K22144811		27-	A	B3
C 8242	CHIP CAP.	0.1uF	16V	B	GRM188B11C104KA01D	K22124805		30-	A	B3
C 8255	CHIP CAP.	680pF	25V	CH	GRM39CH681J25PT	K22144203		1-	A	A2
C 8255	CHIP CAP.	680pF	50V	CH	GRM1882C1H681JA01D	K22174274		27-	A	A2
C 8256	CHIP CAP.	0.047uF	16V	B	GRM39B473K16PT	K22124804		1-	A	B2
C 8256	CHIP CAP.	0.047uF	25V	B	GRM188B11E473KA01D	K22144811		27-	A	B2
C 8257	AL.ELECTRO.CAP.	10uF	35V		ECEV1VA100WR	K48160004		1-	A	B2
C 8257	AL.ELECTRO.CAP.	10uF	35V		EEE1VA100WR	K48160006		9-	A	B2
C 8258	CHIP CAP.	150pF	50V	CH	GRM1882C1H151JA01D	K22174239		1-	A	D3

# RX-2 Unit (D, MP Type, RXU-9000)

## Parts List

REF	DESCRIPTION	VALUE	V/W	TOL.	MFR'S DESIG	VXSTD P/N	VERS.	LOT	SIDE	LAY ADR
C 8261	CHIP CAP.	68pF	50V	CH	GRM1882C1H680JA01D	K22174231		1-	A	B2
C 8263	CHIP CAP.	0.1uF	16V	B	GRM188B11C104KA01D	K22124805		1-	A	B2
C 8264	CHIP CAP.	5pF	50V	CH	GRM1882C1H5R0CZ01D	K22174206		1-	A	C3
C 8265	CHIP CAP.	0.01uF	50V	B	GRM188B11H103KA01D	K22174823		1-	A	E3
C 8266	CHIP CAP.	0.01uF	50V	B	GRM188B11H103KA01D	K22174823		1-	A	B2
C 8267	CHIP CAP.	0.01uF	50V	B	GRM188B11H103KA01D	K22174823		1-	A	D3
C 8268	CHIP CAP.	0.01uF	50V	B	GRM188B11H103KA01D	K22174823		1-	A	D3
C 8269	CHIP CAP.	24pF	50V	CH	GRM1882C1H240JZ01D	K22174220		1-	A	C3
C 8270	CHIP CAP.	120pF	50V	CH	GRM1882C1H121JA01D	K22174237		1-	A	C3
C 8271	CHIP CAP.	0.01uF	50V	B	GRM188B11H103KA01D	K22174823		1-	A	C3
C 8272	CHIP CAP.	22pF	50V	CH	GRM1882C1H220JA01D	K22174219		1-	A	D2
C 8273	CHIP CAP.	18pF	50V	CH	GRM1882C1H180JA01D	K22174217		1-	A	D2
C 8274	CHIP CAP.	22pF	50V	CH	GRM1882C1H220JA01D	K22174219		1-	A	D2
C 8275	CHIP CAP.	18pF	50V	CH	GRM1882C1H180JA01D	K22174217		1-	A	D2
C 8276	CHIP CAP.	22pF	50V	CH	GRM1882C1H220JA01D	K22174219		1-	A	C2
C 8277	CHIP CAP.	18pF	50V	CH	GRM1882C1H180JA01D	K22174217		1-	A	B2
C 8278	CHIP CAP.	0.047uF	16V	B	GRM39B473K16PT	K22124804		1-	A	D6
C 8278	CHIP CAP.	0.047uF	25V	B	GRM188B11E473KA01D	K22144811		27-	A	D6
C 8279	CHIP CAP.	0.047uF	16V	B	GRM39B473K16PT	K22124804		1-	A	D6
C 8279	CHIP CAP.	0.047uF	25V	B	GRM188B11E473KA01D	K22144811		27-	A	D6
C 8280	CHIP CAP.	0.047uF	16V	B	GRM39B473K16PT	K22124804		1-	A	E6
C 8280	CHIP CAP.	0.047uF	25V	B	GRM188B11E473KA01D	K22144811		27-	A	E6
C 8281	AL.ELECTRO.CAP.	10uF	35V		ECEV1VA100WR	K48160004		1-	A	A5
C 8281	AL.ELECTRO.CAP.	10uF	35V		EEE1VA100WR	K48160006		9-	A	A5
C 8282	CHIP CAP.	0.047uF	16V	B	GRM39B473K16PT	K22124804		1-	A	B4
C 8282	CHIP CAP.	0.047uF	25V	B	GRM188B11E473KA01D	K22144811		27-	A	B4
C 8283	CHIP CAP.	100pF	50V	CH	GRM1882C1H101JA01D	K22174235		1-	A	D5
C 8284	CHIP CAP.	220pF	50V	CH	GRM1882C1H221JA01D	K22174243		2-	A	B2
C 8285	CHIP CAP.	100pF	50V	CH	GRM1882C1H101JA01D	K22174235		1-	A	B2
C 8286	AL.ELECTRO.CAP.	10uF	35V		ECEV1VA100WR	K48160004		1-	A	B2
C 8286	AL.ELECTRO.CAP.	10uF	35V		EEE1VA100WR	K48160006		9-	A	B2
C 8289	CHIP CAP.	0.1uF	16V	B	GRM188B11C104KA01D	K22124805		1-	A	B2
C 8290	AL.ELECTRO.CAP.	22uF	50V		ECEV1HA220WP	K48170018		1-		
C 8290	AL.ELECTRO.CAP.	22uF	50V		EEE1HA220WP	K48170026		9-		
C 8292	CHIP CAP.	0.01uF	50V	B	GRM188B11H103KA01D	K22174823		1-		
C 8293	CHIP CAP.	0.01uF	50V	B	GRM188B11H103KA01D	K22174823		1-		
C 8294	CHIP CAP.	0.01uF	50V	B	GRM188B11H103KA01D	K22174823		1-		
C 8295	CHIP CAP.	0.01uF	50V	B	GRM188B11H103KA01D	K22174823		1-		
C 8297	CHIP CAP.	0.01uF	50V	B	GRM188B11H103KA01D	K22174823		1-		
C 8297	CHIP CAP.	0.1uF	16V	B	GRM188B11C104KA01D	K22124805		4-		
C 8298	CHIP CAP.	0.01uF	50V	B	GRM188B11H103KA01D	K22174823		1-		
C 8299	CHIP CAP.	0.001uF	50V	B	GRM188B11H102KA01D	K22174821		1-		
C 8300	CHIP CAP.	0.01uF	50V	B	GRM188B11H103KA01D	K22174823		1-		
C 8301	CHIP TA.CAP.	10uF	20V		TEESVB21D106M8R	K78130028		1-		
C 8302	CHIP TA.CAP.	10uF	20V		TEESVB21D106M8R	K78130028		1-		
C 8303	CHIP TA.CAP.	10uF	20V		TEESVB21D106M8R	K78130028		1-		
C 8304	CHIP TA.CAP.	10uF	20V		TEESVB21D106M8R	K78130028		1-		
C 8305	CHIP TA.CAP.	10uF	20V		TEESVB21D106M8R	K78130028		1-		
C 8306	CHIP TA.CAP.	10uF	20V		TEESVB21D106M8R	K78130028		1-		
C 8307	CHIP CAP.	0.01uF	50V	B	GRM188B11H103KA01D	K22174823		1-		
C 8308	CHIP CAP.	5pF	50V	CH	GRM1882C1H5R0CZ01D	K22174206		1-		
C 8309	AL.ELECTRO.CAP.	220uF	16V		EMVA160ADA221MF80G	K48120021		1-		
C 8310	CERAMIC CAP.	470pF	50V	B	UP050B471K-A-B	K28179043		1		
C 8310	CHIP CAP.	470pF	50V	B	GRM188B11H471KA01D	K22174805		2-		
C 8311	CHIP TA.CAP.	0.33uF	35V		TEESVA1V334M8R	K78160028		1-		
C 8312	CHIP CAP.	0.01uF	50V	B	GRM188B11H103KA01D	K22174823		1-		
C 8313	CERAMIC CAP.	0.001uF	50V	B	UP050B102K-A-B	K28179001		1		
C 8313	CHIP CAP.	0.001uF	50V	B	GRM188B11H102KA01D	K22174821		2-		
C 8314	CHIP CAP.	100pF	50V	CH	GRM1882C1H101JA01D	K22174235		1-		
C 8315	TANTALUM CAP.	0.33uF	35V		DN1VR33M1S	K70167334		1		
C 8315	CHIP TA.CAP.	0.33uF	35V		TEESVA1V334M8R	K78160028		2-		
C 8316	CHIP CAP.	0.01uF	25V	B	GRM39B103M25PT	K22144802		1-		
C 8316	CHIP CAP.	0.01uF	50V	B	GRM188B11H103KA01D	K22174823		27-29		
C 8317	TANTALUM CAP.	4.7uF	25V		TPDN1E4R7M8S(MX0)	K76140017		30-		
C 8317	TANTALUM CAP.	4.7uF	35V		DN1V4R7M1S	K70167475		30-		
CF8001	CERAMIC FILTER				CFWLB450KE2A-B0	H3900466		1-	A	C4
CF8001	CERAMIC FILTER				ALFYM450F-002S2=K	H3900556		34-	A	C4
CF8001	CERAMIC FILTER				CFWLB450KFFA-B0	H3900582		36-	A	C4
D 8001	DIODE				BAS316	G2070716		1-	A	C6
D 8002	DIODE				BAS316	G2070716		1-	A	D6
D 8003	DIODE				BAS316	G2070716		1-	A	D6
D 8004	DIODE				BAS316	G2070716		1-	A	E6
D 8005	DIODE				BAS316	G2070716		1-	A	D6

# RX-2 Unit (D, MP Type, RXU-9000)

## Parts List

REF	DESCRIPTION	VALUE	V/W	TOL.	MFR'S DESIG	VXSTD P/N	VERS.	LOT	SIDE	LAY ADR
D 8006	DIODE				BAS316	G2070716		1-	A	D6
D 8007	DIODE				RLS245 TE-11	G2070834		1-	A	E6
D 8008	DIODE				RLS245 TE-11	G2070834		1-	A	E5
D 8009	DIODE				RLS245 TE-11	G2070834		1-	A	C3
D 8010	DIODE				RLS245 TE-11	G2070834		1-	A	D5
D 8011	DIODE				BAS316	G2070716		1-	A	C3
D 8012	DIODE				RN731V TE-17	G2070898		1-	A	C3
D 8013	DIODE				RN731V TE-17	G2070898		1-	A	D5
D 8014	DIODE				RN731V TE-17	G2070898		1-	A	B4
D 8015	DIODE				RN731V TE-17	G2070898		1-	A	C5
D 8016	DIODE				RN731V TE-17	G2070898		1-	A	C5
D 8017	DIODE				RN731V TE-17	G2070898		1-	A	
D 8018	DIODE				RN731V TE-17	G2070898		1-	A	B4
D 8019	DIODE				RN731V TE-17	G2070898		1-	A	B4
D 8020	DIODE				RN731V TE-17	G2070898		1-	A	A3
D 8021	DIODE				RN731V TE-17	G2070898		1-	A	A4
D 8022	DIODE				RN731V TE-17	G2070898		1-	A	A5
D 8023	DIODE				RN731V TE-17	G2070898		1-	A	A5
D 8024	DIODE				RN731V TE-17	G2070898		1-	A	B5
D 8025	DIODE				RN731V TE-17	G2070898		1-	A	A2
D 8026	DIODE				RN731V TE-17	G2070898		1-	A	A3
D 8027	DIODE				RN731V TE-17	G2070898		1-	A	A3
D 8028	DIODE				BAS316	G2070716		1-	A	A3
D 8029	DIODE				RN731V TE-17	G2070898		1-	A	B3
D 8030	DIODE				RN731V TE-17	G2070898		1-	A	B3
D 8031	DIODE				RN731V TE-17	G2070898		1-	A	B3
D 8032	DIODE				RN731V TE-17	G2070898		1-	A	
D 8033	DIODE				RN731V TE-17	G2070898		1-	A	
D 8034	DIODE				RN731V TE-17	G2070898		1-	A	C3
D 8036	DIODE				1SS356TW11	G2070468		1-	A	E6
D 8037	DIODE				BAS316	G2070716		1-	A	E6
D 8039	DIODE				1SS356TW11	G2070468		1-	A	D5
D 8041	DIODE				RN142S TE61	G2070994		1-	A	
D 8043	DIODE				RN142S TE61	G2070994		1-	A	
D 8045	DIODE				RN142S TE61	G2070994		1-	A	
D 8047	DIODE				HSM198S TR-E	G2070570		1-	A	
D 8048	DIODE				RN731V TE-17	G2070898		1-	A	
D 8049	DIODE				RN731V TE-17	G2070898		1-	A	
D 8050	DIODE				RN731V TE-17	G2070898		1-	A	
D 8051	DIODE				DAN202U T106	G2070162		1-	A	
D 8052	DIODE				1SS226(TE85R.F)	G2070003		1-	A	
D 8053	DIODE				BAS316	G2070716		1-	A	
D 8054	DIODE				DAN202U T106	G2070162		1-	A	
D 8055	DIODE				BAS316	G2070716		1-	A	
D 8056	DIODE				BAS316	G2070716		1-	A	
D 8057	DIODE				DAN202U T106	G2070162		1-	A	
D 8058	DIODE				RN142S TE61	G2070994		1-	A	
D 8059	DIODE				BAS316	G2070716		1-	A	
D 8060	DIODE				BAS316	G2070716		1-	A	
D 8061	DIODE				BAS316	G2070716		1-	A	
D 8062	DIODE				HSB88WS TR-E	G2070290		1-	A	
D 8063	DIODE				RD5.1UMB1-T1	G2070538		1-	A	
D 8064	DIODE				BAS316	G2070716		1-	A	
D 8065	DIODE				BAS316	G2070716		1-	A	
D 8066	DIODE				BAS316	G2070716		1-	A	
D 8067	DIODE				BAS316	G2070716		1-	A	
D 8068	DIODE				BAS316	G2070716		1-	A	
D 8069	DIODE				UDZS TE-17 9.1B	G2070868		4-	A	
J 8001	CONNECTOR				TMP-J01X-V6	P1090210		1-	A	E4
J 8002	CONNECTOR				TMP-J01X-V6	P1090210		1-	A	E5
J 8003	CONNECTOR				TMP-J01X-V6	P1090210		1-	A	A5
J 8004	TERMINAL				OT-007	S5000180		1-	A	B5
J 8005	CONNECTOR				IMSA-6065B-05-Z049-PT1	P0091382		1-	A	A3
J 8006	CONNECTOR				IMSA-6065B-07-Z049-PT1	P0091384		1-	A	B3
J 8007	CONNECTOR				IMSA-6065B-08-Z049-PT1	P0091385		1-	A	E3
J 8008	CONNECTOR				IMSA6065B-05-Z054-PT1	P0091411		1-	A	E3
J 8008	CONNECTOR				IMSA6065B-05-Z075-PT1	P0091416		3-	A	E3
J 8009	TERMINAL				P07	Q5000166		1-	A	C3
J 8010	TERMINAL				P07	Q5000166		1-	A	C2
J 8011	CONNECTOR				IMSA6065B-15-Z054-PT1	P0091412		1-	A	E1
J 8011	CONNECTOR				IMSA6065B-15-Z075-PT1	P0091417		3-	A	E1
J 8012	CONNECTOR				TMP-J01X-V6	P1090210		1-	A	D1
J 8013	CONNECTOR				30FLT-SM2-TB(LF)(SN)(M)	P1091142		1-	A	C5

# RX-2 Unit (D, MP Type, RXU-9000)

## Parts List

REF	DESCRIPTION	VALUE	V/W	TOL.	MFR'S DESIG	VXSTD P/N	VERS.	LOT	SIDE	LAY ADR
J 8014	CONNECTOR				TMP-J01X-V6	P1090210		1-	A	B6
J 8015	CONNECTOR				TMP-J01X-V6	P1090210		1-	A	A6
J 8016	CONNECTOR				TMP-J01X-V6	P1090210		1-	A	D1
J 8017	CONNECTOR				IMSA-6065B-06-Z049-PT1	P0091383		1-	A	E3
J 8018	CONNECTOR				IMSA-6065B-09-Z049-PT1	P0091386		1-	A	B1
J 8019	CONNECTOR				TMP-J01X-V6	P1090210		1-	A	A5
J 8020	CONNECTOR				TMP-J01X-V6	P1090210		1-	A	A3
J 8021	CONNECTOR				SB20-02WS	P0090609		1-	A	B5
J 8022	TERMINAL				OT-007	S5000180		1-	A	B3
J 8023	TERMINAL				OT-007	S5000180		1-	A	A1
J 8024	TERMINAL				OT-007	S5000180		1-		
J 8025	TERMINAL				OT-007	S5000180		1-		
J 8026	CONNECTOR				TMP-J01X-V6	P1090210		1-		
J 8027	CONNECTOR				TMP-J01X-V6	P1090210		1-		
JP8004	WIRE ASSY				GRN 20 2/2	T50502000		1		
JP8005	WIRE ASSY				GRN 105 2/2	T50510500		1		
JP8006	WIRE ASSY				GRN 30 2/2	T50503000		1		
JP8007	WIRE ASSY				GRN 30 2/2	T50503000		1		
JP8009	CHIP RES.	0	1/16W	5%	RMC1/16 000JATP	J24185000		2-		
JP8023	CHIP RES.	1.2k	1/16W	5%	RMC1/16 122JATP	J24185122		1		
L 8002	M.RFC	1mH			LAV35VB102J	L1790255		1-	A	D6
L 8004	M.RFC	1mH			LAV35VB102J	L1790255		1-	A	E4
L 8005	CHIP COIL	100uH			LQH32MN101K23L	L1690099		1-	A	D6
L 8006	COIL A1				5.5T5.0D0.6UEW R	L0021832A		1-	A	D6
L 8007	COIL A1				4.5T5.0D0.6UEW R	L0021831A		1-	A	E6
L 8008	COIL A1				4.5T4.0D0.6UEW R	L0021825A		1-	A	C6
L 8009	COIL A1				6.5T5.0D0.6UEW R	L0021833A		1-	A	D5
L 8010	COIL A1				8.5T6.0D0.8UEW R	L0022802		1-	A	D5
L 8011	COIL A1				8.5T6.0D0.8UEW R	L0022802		1-	A	E5
L 8012	CHIP COIL	0.12uH			C2520C-R12J	L1690545		1-	A	E6
L 8013	CHIP COIL	0.39uH			C2520C-R39J	L1690551		1-	A	C6
L 8014	CHIP COIL	0.12uH			C2520C-R12J	L1690545		1-	A	A6
L 8015	CHIP COIL	0.22uH			C2520C-R22J	L1690548		1-	A	D5
L 8016	CHIP COIL	2.2uH			C2520F-2R2K	L1690588		1-	A	C5
L 8016	CHIP COIL	2.2uH		10%	C2520C-2R2K-RK	L1690731		36-	A	C5
L 8017	CHIP COIL	0.22uH			C2520C-R22J	L1690548		1-	A	C3
L 8018	CHIP COIL	0.33uH			C2520C-R33J	L1690550		1-	A	C6
L 8019	CHIP COIL	2.7uH			C2520F-2R7K	L1690589		1-	A	E5
L 8019	CHIP COIL	2.7uH		10%	C2520C-2R7K-RK	L1690732		36-	A	E5
L 8020	CHIP COIL	0.33uH			C2520C-R33J	L1690550		1-	A	C6
L 8021	CHIP COIL	0.82uH			C2520C-R82J	L1690555		1-	A	C3
L 8022	CHIP COIL	3.3uH			C2520F-3R3K	L1690590		1-	A	E5
L 8022	CHIP COIL	3.3uH		5%	NLV-25T-3R3J-PF	L1691430		23-	A	E5
L 8023	CHIP COIL	0.82uH			C2520C-R82J	L1690555		1-	A	A5
L 8024	CHIP COIL	1.2uH			C2520F-1R2K	L1690585		1-	A	E5
L 8024	CHIP COIL	1.2uH		10%	C2520C-1R2K-RK	L1690728		36-	A	E5
L 8025	CHIP COIL	6.8uH			C2520F-6R8K	L1690594		1-	A	A5
L 8025	CHIP COIL	6.8uH		5%	NLV-25T-6R8J-PF	L1691434		14-	A	A5
L 8026	CHIP COIL	1.2uH			C2520F-1R2K	L1690585		1-	A	B6
L 8026	CHIP COIL	1.2uH		10%	C2520C-1R2K-RK	L1690728		36-	A	B6
L 8027	M.RFC	1mH			875FU-102M=P3	L1691236		1-	A	D5
L 8028	CHIP COIL	10uH			C2520F-100K	L1690596		1-	A	E5
L 8028	CHIP COIL	10uH		5%	NLV-25T-100J-PF	L1691436		12-	A	E5
L 8029	CHIP COIL	6.8uH			C2520F-6R8K	L1690594		1-	A	D5
L 8029	CHIP COIL	6.8uH		5%	NLV-25T-6R8J-PF	L1691434		14-	A	D5
L 8030	CHIP COIL	10uH			C2520F-100K	L1690596		1-	A	E5
L 8030	CHIP COIL	10uH		5%	NLV-25T-100J-PF	L1691436		12-	A	E5
L 8031	M.RFC	15uH			LLM3225-150J	L1691135		1-		
L 8032	M.RFC	22uH			LLM3225-220J	L1691137		1-	A	B6
L 8033	M.RFC	15uH			LLM3225-150J	L1691135		1-	A	A2
L 8034	M.RFC	1mH			875FU-102M=P3	L1691236		1-	A	D6
L 8035	M.RFC	1mH			LAV35VB102J	L1790255		1-	A	E6
L 8036	M.RFC	1mH			LAV35VB102J	L1790255		1-	A	E6
L 8038	CHIP COIL	5.6uH			LQH32MN5R6K23L	L1690084		1-	A	E5
L 8039	CHIP COIL	5.6uH			LQH32MN5R6K23L	L1690084		1-		
L 8040	CHIP COIL	10uH			LQH32MN100K23L	L1690087		1-		
L 8041	CHIP COIL	10uH			LQH32MN100K23L	L1690087		1-		
L 8042	CHIP COIL	10uH			LQH32MN100K23L	L1690087		1-		
L 8050	CHIP COIL	15uH			LQH32MN150K23L	L1690089		1-		
L 8051	CHIP COIL	10uH			LQH32MN100K23L	L1690087		1-		
L 8052	CHIP COIL	10uH			LQH32MN100K23L	L1690087		1-		
L 8053	CHIP COIL	1mH			LQH43MN102K03L	L1690108		1-	29	
L 8054	CHIP COIL	1mH			LQH43MN102K03L	L1690108		1-		

# RX-2 Unit (D, MP Type, RXU-9000)

## Parts List

REF	DESCRIPTION	VALUE	V/W	TOL.	MFR'S DESIG	VXSTD P/N	VERS.	LOT	SIDE	LAY ADR
L 8056	CHIPCOIL	100uH			LQH32MN101K23L	L1690099		1-		
L 8057	M.RFC	120uH			RCH-875 121K	L1190396		1-		
L 8058	CHIPCOIL	100uH			LQH32MN101K23L	L1690099		1-		
L 8059	CHIPCOIL	100uH			LQH32MN101K23L	L1690099		1-		
L 8060	CHIPCOIL	100uH			LQH32MN101K23L	L1690099		1-		
L 8061	M.RFC	220uH			LLM3225-221J	L1691149		1-		
L 8062	M.RFC	220uH			LLM3225-221J	L1691149		1-		
P 8001	WIRE ASSY				GRA 300 TMP/TMP	T9318252A		1-		
P 8001	WIRE ASSY				GRA 300 TMP/TMP	T9318252A		14		
P 8001	WIRE ASSY				GRA 300 TMP/TMP	T9318252B		15-		
Q 8001	TRANSISTOR				2SC2714Y(TE85R.F)	G3327147Y		1-		
Q 8003	FET				3SK131-T2B V12	G4801317B		1-		
Q 8004	FET				SST310-T1	G4070009		1-	A	C6
Q 8005	FET				SST310-T1	G4070009		1-	A	F5
Q 8006	FET				SST310-T1	G4070009		1-	A	C6
Q 8007	FET				SST310-T1	G4070009		1-	A	D3
Q 8008	FET				2SK520-T2B K41	G3805207A		1-	A	F6
Q 8009	FET				2SK520-T2B K41	G3805207A		1-	A	C6
Q 8010	FET				2SK520-T2B K41	G3805207A		1-	A	E5
Q 8011	FET				2SK520-T2B K41	G3805207A		1-	A	D5
Q 8012	FET				SST310-T1	G4070009		1-	A	E5
Q 8013	FET				SST310-T1	G4070009		1-	A	E5
Q 8014	FET				SST310-T1	G4070009		1-	A	E4
Q 8015	FET				SST310-T1	G4070009		1-	A	E4
Q 8016	FET				SST310-T1	G4070009		1-	A	C5
Q 8017	FET				SST310-T1	G4070009		1-	A	E6
Q 8018	FET				SST310-T1	G4070009		1-	A	E6
Q 8019	FET				SST310-T1	G4070009		1-	A	E6
Q 8020	FET				SST310-T1	G4070009		1-	A	C4
Q 8021	FET				3SK131-T2B V12	G4801317B		1-	A	D5
Q 8022	IC				NJM2125F(TE1)	G1093894		1-	A	C3
Q 8023	TRANSISTOR				2SC4154-T111-1E	G3341548E		1-	A	D5
Q 8023	TRANSISTOR				2SC4081 T106	G3340818		29-	A	D5
Q 8024	TRANSISTOR				2SC2954-T2	G3329547		1-	A	A6
Q 8024	TRANSISTOR				2SC5415E-TD-E	G3354158E		22-	A	A6
Q 8025	TRANSISTOR				2SC2954-T2	G3329547		1-	A	C3
Q 8025	TRANSISTOR				2SC5415E-TD-E	G3354158E		22-	A	C3
Q 8026	IC				TA75S558F(TE85R)	G1092284		1-	A	E5
Q 8027	FET				3SK131-T2B V12	G4801317B		1-	A	D4
Q 8028	FET				3SK131-T2B V12	G4801317B		1-	A	D5
Q 8029	TRANSISTOR				2SC4154-T111-1E	G3341548E		1-	A	A6
Q 8029	TRANSISTOR				2SC4081 T106	G3340818		29-	A	A6
Q 8030	TRANSISTOR				2SC4154-T111-1E	G3341548E		1-	A	C3
Q 8030	TRANSISTOR				2SC4081 T106	G3340818		29-	A	C3
Q 8031	FET				2SK209GR TE85R	G3802097G		1-	A	C3
Q 8031	FET				2SK209GR(TE85L.F)	G3802098G		61-		
Q 8032	TRANSISTOR				2SC4154-T111-1E	G3341548E		1-	A	E5
Q 8032	TRANSISTOR				2SC4081 T106	G3340818		29-	A	E5
Q 8033	TRANSISTOR				2SA1602A-T111-1F	G3116028F		1-	A	B6
Q 8033	TRANSISTOR				ISA1602AM1-T111-1F	G3070380		23-	A	B6
Q 8033	TRANSISTOR				2SA1576A T106 R	G3115768R		29-	A	B6
Q 8034	TRANSISTOR				2SA1602A-T111-1F	G3116028F		1-	A	C4
Q 8034	TRANSISTOR				ISA1602AM1-T111-1F	G3070380		23-	A	C4
Q 8034	TRANSISTOR				2SA1576A T106 R	G3115768R		29-	A	C4
Q 8035	TRANSISTOR				2SC4154-T111-1E	G3341548E		1-	A	C4
Q 8035	TRANSISTOR				2SC4081 T106	G3340818		29-	A	C4
Q 8036	TRANSISTOR				2SC2714Y(TE85R.F)	G3327147Y		1-		
Q 8037	FET				SST310-T1	G4070009		1-	A	B4
Q 8038	FET				SST310-T1	G4070009		1-	A	D3
Q 8041	IC				LMH6622MM	G1094189		1-	A	A6
Q 8042	IC				BU2505FV-E2	G1093714		1-	A	A4
Q 8043	IC				BU2099FV-E2	G1093243		1-	A	A6
Q 8044	IC				BU2099FV-E2	G1093243		1-	A	B5
Q 8045	IC				BU2099FV-E2	G1093243		1-	A	C3
Q 8046	TRANSISTOR				DTB113ZK T146	G3070103		1-	A	A2
Q 8047	TRANSISTOR				DTB113ZK T146	G3070103		1-	A	B2
Q 8048	TRANSISTOR				DTB113ZK T146	G3070103		1-	A	A3
Q 8049	TRANSISTOR				DTB113ZK T146	G3070103		1-	A	A5
Q 8050	TRANSISTOR				DTB113ZK T146	G3070103		1-	A	B3
Q 8051	TRANSISTOR				DTB113ZK T146	G3070103		1-	A	D3
Q 8052	TRANSISTOR				DTB113ZK T146	G3070103		1-	A	B5
Q 8053	TRANSISTOR				DTC123JE TL	G3070323		1-	A	A2
Q 8054	TRANSISTOR				DTC123JE TL	G3070323		1-	A	C3

# RX-2 Unit (D, MP Type, RXU-9000)

## Parts List

REF	DESCRIPTION	VALUE	V/W	TOL.	MFR'S DESIG	VXSTD P/N	VERS.	LOT	SIDE	LAY ADR
Q 8055	TRANSISTOR				DTC123JE TL	G3070323		1-	A	A2
Q 8056	TRANSISTOR				DTC123JE TL	G3070323		1-	A	C3
Q 8057	TRANSISTOR				DTC123JE TL	G3070323		1-	A	B3
Q 8058	TRANSISTOR				DTC123JE TL	G3070323		1-	A	B2
Q 8059	TRANSISTOR				DTC123JE TL	G3070323		1-	A	B3
Q 8060	TRANSISTOR				DTB113ZK T146	G3070103		1-	A	B2
Q 8061	TRANSISTOR				DTB113ZK T146	G3070103		1-	A	B2
Q 8062	TRANSISTOR				DTB113ZK T146	G3070103		1-	A	B3
Q 8063	TRANSISTOR				DTB113ZK T146	G3070103		1-	A	B2
Q 8064	TRANSISTOR				DTB113ZK T146	G3070103		1-	A	D3
Q 8065	TRANSISTOR				DTB113ZK T146	G3070103		1-	A	C3
Q 8066	TRANSISTOR				DTB113ZK T146	G3070103		1-	A	D2
Q 8067	TRANSISTOR				DTB113ZK T146	G3070103		1-	A	E6
Q 8068	TRANSISTOR				DTB113ZK T146	G3070103		1-	A	C5
Q 8069	TRANSISTOR				DTB113ZK T146	G3070103		1-	A	A6
Q 8070	TRANSISTOR				DTC114EUA T106	G3070084		1	A	D2
Q 8070	TRANSISTOR				DTC123JE TL	G3070323		2-	A	D2
Q 8071	TRANSISTOR				2SC4154-T111-1E	G3341548E		1-		
Q 8071	TRANSISTOR				2SC4081 T106	G3340818		29-		
Q 8072	FET				SGM2016AM-T7	G4070012		1-		
Q 8073	FET				SGM2016AM-T7	G4070012		1-		
Q 8074	FET				3SK131-T2B V12	G4801317B		1-		
Q 8075	TRANSISTOR				DTC114EUA T106	G3070084		2-		
R 8001	CHIPRES.	15	1/16W	5%	RMC1/16 150JATP	J24185150		1-	A	C6
R 8002	CHIPRES.	120	1/16W	5%	RMC1/16 121JATP	J24185121		1-	A	D6
R 8003	CHIPRES.	100	1/16W	5%	RMC1/16 101JATP	J24185101		1-	A	D6
R 8004	CHIPRES.	47	1/16W	5%	RMC1/16 470JATP	J24185470		1-	A	E6
R 8005	CHIPRES.	100	1/16W	5%	RMC1/16 101JATP	J24185101		1-	A	C6
R 8006	CHIPRES.	100	1/16W	5%	RMC1/16 101JATP	J24185101		1-	A	C6
R 8007	CHIPRES.	150	1/16W	5%	RMC1/16 151JATP	J24185151		1-	A	F5
R 8008	CHIPRES.	68	1/16W	5%	RMC1/16 680JATP	J24185680		1-	A	C6
R 8009	CHIPRES.	100	1/16W	5%	RMC1/16 101JATP	J24185101		1-	A	F5
R 8010	CHIPRES.	100	1/16W	5%	RMC1/16 101JATP	J24185101		1-	A	F5
R 8011	CHIPRES.	100	1/16W	5%	RMC1/16 101JATP	J24185101		1-	A	F5
R 8012	CHIPRES.	330	1/2W	5%	RMC1/2 331JCTP	J24275331		1-	A	C6
R 8013	CHIPRES.	100	1/16W	5%	RMC1/16 101JATP	J24185101		1-	A	C6
R 8014	CHIPRES.	2.2k	1/16W	5%	RMC1/16 222JATP	J24185222		1-	A	C6
R 8015	CHIPRES.	4.7k	1/16W	5%	RMC1/16 472JATP	J24185472		1-	A	C6
R 8016	CHIPRES.	4.7k	1/16W	5%	RMC1/16 472JATP	J24185472		1-	A	C6
R 8017	CHIPRES.	100	1/16W	5%	RMC1/16 101JATP	J24185101		2-	A	C6
R 8018	CHIPRES.	100	1/16W	5%	RMC1/16 101JATP	J24185101		1-	A	C6
R 8019	CHIPRES.	68	1/4W	5%	RMC1/4 680JATP	J24245680		1-	A	C6
R 8020	CHIPRES.	68	1/4W	5%	RMC1/4 680JATP	J24245680		1-	A	D5
R 8021	CHIPRES.	10k	1/16W	5%	RMC1/16 103JATP	J24185103		1-	A	E5
R 8022	CHIPRES.	68	1/4W	5%	RMC1/4 680JATP	J24245680		1-	A	E5
R 8023	CHIPRES.	68	1/4W	5%	RMC1/4 680JATP	J24245680		1-	A	E4
R 8024	CHIPRES.	10k	1/16W	5%	RMC1/16 103JATP	J24185103		1-	A	C6
R 8025	CHIPRES.	68	1/4W	5%	RMC1/4 680JATP	J24245680		1-	A	E4
R 8026	CHIPRES.	68	1/4W	5%	RMC1/4 680JATP	J24245680		1-	A	C6
R 8027	CHIPRES.	10k	1/16W	5%	RMC1/16 103JATP	J24185103		1-	A	E4
R 8028	CHIPRES.	68	1/4W	5%	RMC1/4 680JATP	J24245680		1-	A	E4
R 8029	CHIPRES.	68	1/4W	5%	RMC1/4 680JATP	J24245680		1-	A	C6
R 8030	CHIPRES.	10k	1/16W	5%	RMC1/16 103JATP	J24185103		1-	A	E6
R 8031	CHIPRES.	68	1/4W	5%	RMC1/4 680JATP	J24245680		1-	A	D5
R 8032	CHIPRES.	68	1/4W	5%	RMC1/4 680JATP	J24245680		1-	A	D5
R 8033	CHIPRES.	10k	1/16W	5%	RMC1/16 103JATP	J24185103		1-	A	E5
R 8034	CHIPRES.	27	1/16W	5%	RMC1/16 270JATP	J24185270		1-	A	C5
R 8035	CHIPRES.	33	1/16W	5%	RMC1/16 330JATP	J24185330		1-	A	C4
R 8036	CHIPRES.	27	1/16W	5%	RMC1/16 270JATP	J24185270		1-	A	C5
R 8037	CHIPRES.	68	1/4W	5%	RMC1/4 680JATP	J24245680		1-	A	E4
R 8038	CHIPRES.	68	1/4W	5%	RMC1/4 680JATP	J24245680		1-	A	C5
R 8039	CHIPRES.	10k	1/16W	5%	RMC1/16 103JATP	J24185103		1-	A	C4
R 8040	CHIPRES.	33	1/4W	5%	RMC1/4 330JATP	J24245330		1-	A	C4
R 8041	CHIPRES.	10k	1/16W	5%	RMC1/16 103JATP	J24185103		1-	A	C5
R 8042	CHIPRES.	100	1/16W	5%	RMC1/16 101JATP	J24185101		1-	A	C4
R 8043	CHIPRES.	330	1/2W	5%	RMC1/2 331JCTP	J24275331		1-	A	C4
R 8044	CHIPRES.	68	1/4W	5%	RMC1/4 680JATP	J24245680		1-	A	C5
R 8045	CHIPRES.	330	1/2W	5%	RMC1/2 331JCTP	J24275331		1-	A	C4
R 8054	CHIPRES.	68	1/4W	5%	RMC1/4 680JATP	J24245680		1-	A	D5
R 8055	CHIPRES.	330	1/2W	5%	RMC1/2 331JCTP	J24275331		1-	A	D4
R 8056	CHIPRES.	120k	1/16W	5%	RMC1/16 124JATP	J24185124		1-	A	D4
R 8058	CHIPRES.	47k	1/16W	5%	RMC1/16 473JATP	J24185473		1-	A	E5
R 8059	CHIPRES.	47	1/16W	5%	RMC1/16 470JATP	J24185470		1-	A	B5



# RX-2 Unit (D, MP Type, RXU-9000)

## Parts List

REF	DESCRIPTION	VALUE	V/W	TOL.	MFR'S DESIG	VXSTD P/N	VERS.	LOT	SIDE	LAY ADR
R 8060	CHIPRES.	10k	1/16W	5%	RMC1/16 103JATP	J24185103		1-	A	E4
R 8061	CHIPRES.	100k	1/16W	5%	RMC1/16 104JATP	J24185104		1-	A	A6
R 8062	CHIPRES.	220	1/16W	5%	RMC1/16 221JATP	J24185221		1-	A	A6
R 8062	CHIPRES.	100	1/16W	5%	RMC1/16 101JATP	J24185101		2-	A	A6
R 8063	CHIPRES.	100	1/16W	5%	RMC1/16 101JATP	J24185101		1-	A	A6
R 8064	CHIPRES.	68	1/4W	5%	RMC1/4 680JATP	J24245680		1-	A	D5
R 8065	CHIPRES.	330	1/2W	5%	RMC1/2 331JCTP	J24275331		1-	A	D4
R 8066	CHIPRES.	47	1/4W	5%	RMC1/4 470JATP	J24245470		1-	A	C3
R 8067	CHIPRES.	150k	1/16W	5%	RMC1/16 154JATP	J24185154		1	A	D4
R 8067	CHIPRES.	100k	1/16W	5%	RMC1/16 104JATP	J24185104		2-	A	D4
R 8068	CHIPRES.	100k	1/16W	5%	RMC1/16 104JATP	J24185104		1-	A	D5
R 8069	CHIPRES.	15	1/4W	5%	RMC1/4 150JATP	J24245150		1-	A	C3
R 8070	CHIPRES.	68	1/4W	5%	RMC1/4 680JATP	J24245680		1-	A	E5
R 8071	CHIPRES.	10k	1/16W	5%	RMC1/16 103JATP	J24185103		1-	A	D5
R 8072	CHIPRES.	330	1/2W	5%	RMC1/2 331JCTP	J24275331		1-	A	D4
R 8073	CHIPRES.	680	1/16W	5%	RMC1/16 681JATP	J24185681		1-	A	D5
R 8074	CHIPRES.	680	1/16W	5%	RMC1/16 681JATP	J24185681		1-	A	A6
R 8075	CHIPRES.	680	1/16W	5%	RMC1/16 681JATP	J24185681		1-	A	A6
R 8076	CHIPRES.	680	1/16W	5%	RMC1/16 681JATP	J24185681		1-	A	C3
R 8077	CHIPRES.	10	1/16W	5%	RMC1/16 100JATP	J24185100		1-	A	D4
R 8078	CHIPRES.	10	1/16W	5%	RMC1/16 100JATP	J24185100		1-	A	E5
R 8079	CHIPRES.	10	1/16W	5%	RMC1/16 100JATP	J24185100		1-	A	C6
R 8080	CHIPRES.	10	1/16W	5%	RMC1/16 100JATP	J24185100		1-	A	D5
R 8083	CHIPRES.	100	1/16W	5%	RMC1/16 101JATP	J24185101		1-	A	D5
R 8084	CHIPRES.	100k	1/16W	5%	RMC1/16 104JATP	J24185104		1-	A	E5
R 8085	CHIPRES.	150k	1/16W	5%	RMC1/16 154JATP	J24185154		1-	A	C3
R 8086	CHIPRES.	100	1/16W	5%	RMC1/16 101JATP	J24185101		1-	A	D5
R 8087	CHIPRES.	330	1/2W	5%	RMC1/2 331JCTP	J24275331		1-	A	E5
R 8088	CHIPRES.	330	1/16W	5%	RMC1/16 331JATP	J24185331		1-	A	A5
R 8089	CHIPRES.	330	1/16W	5%	RMC1/16 331JATP	J24185331		1-	A	C3
R 8090	CHIPRES.	330	1/16W	5%	RMC1/16 331JATP	J24185331		1-	A	E5
R 8091	CHIPRES.	330	1/16W	5%	RMC1/16 331JATP	J24185331		1-	A	C4
R 8092	CHIPRES.	0	1/16W	5%	RMC1/16 000JATP	J24185000		1-	A	C4
R 8093	CHIPRES.	0	1/16W	5%	RMC1/16 000JATP	J24185000		1-	A	B6
R 8094	CHIPRES.	0	1/16W	5%	RMC1/16 000JATP	J24185000		1-	A	C3
R 8095	CHIPRES.	0	1/16W	5%	RMC1/16 000JATP	J24185000		1-	A	C3
R 8096	CHIPRES.	10	1/16W	5%	RMC1/16 100JATP	J24185100		1-		
R 8097	CHIPRES.	10	1/16W	5%	RMC1/16 100JATP	J24185100		1-		
R 8098	CHIPRES.	10	1/16W	5%	RMC1/16 100JATP	J24185100		1-	A	E4
R 8099	CHIPRES.	10	1/16W	5%	RMC1/16 100JATP	J24185100		1-		
R 8102	CHIPRES.	100	1/16W	5%	RMC1/16 101JATP	J24185101		1-	A	C4
R 8103	CHIPRES.	100k	1/16W	5%	RMC1/16 104JATP	J24185104		1-	A	B4
R 8104	CHIPRES.	150k	1/16W	5%	RMC1/16 154JATP	J24185154		1-	A	E5
R 8105	CHIPRES.	0	1/16W	5%	RMC1/16 000JATP	J24185000		1-		
R 8106	CHIPRES.	100k	1/16W	5%	RMC1/16 104JATP	J24185104		1-		
R 8107	CHIPRES.	47	1/16W	5%	RMC1/16 470JATP	J24185470		1-	A	C4
R 8108	CHIPRES.	100	1/16W	5%	RMC1/16 101JATP	J24185101		1-	A	B6
R 8109	CHIPRES.	680	1/16W	5%	RMC1/16 681JATP	J24185681		1-	A	B4
R 8110	CHIPRES.	680	1/16W	5%	RMC1/16 681JATP	J24185681		1-	A	D5
R 8111	CHIPRES.	680	1/16W	5%	RMC1/16 681JATP	J24185681		1-	A	B6
R 8112	CHIPRES.	680	1/16W	5%	RMC1/16 681JATP	J24185681		1-	A	C4
R 8113	CHIPRES.	10	1/16W	5%	RMC1/16 100JATP	J24185100		1-	A	B6
R 8114	CHIPRES.	10	1/16W	5%	RMC1/16 100JATP	J24185100		1-	A	B4
R 8115	CHIPRES.	10	1/16W	5%	RMC1/16 100JATP	J24185100		1-	A	C4
R 8116	CHIPRES.	10	1/16W	5%	RMC1/16 100JATP	J24185100		1-	A	B6
R 8118	CHIPRES.	150k	1/16W	5%	RMC1/16 154JATP	J24185154		1-	A	B6
R 8119	CHIPRES.	100k	1/16W	5%	RMC1/16 104JATP	J24185104		1-	A	B6
R 8121	CHIPRES.	470	1/16W	5%	RMC1/16 471JATP	J24185471		1-	A	B6
R 8122	CHIPRES.	470	1/16W	5%	RMC1/16 471JATP	J24185471		1-	A	B6
R 8123	CHIPRES.	470	1/16W	5%	RMC1/16 471JATP	J24185471		1-	A	B6
R 8124	CHIPRES.	470	1/16W	5%	RMC1/16 471JATP	J24185471		1-	A	C5
R 8125	CHIPRES.	10k	1/16W	5%	RMC1/16 103JATP	J24185103		1-	A	B4
R 8126	CHIPRES.	100k	1/16W	5%	RMC1/16 104JATP	J24185104		1-	A	C5
R 8127	CHIPRES.	100k	1/16W	5%	RMC1/16 104JATP	J24185104		1-	A	B5
R 8128	CHIPRES.	47	1/16W	5%	RMC1/16 470JATP	J24185470		1	A	B4
R 8128	CHIPRES.	0	1/16W	5%	RMC1/16 000JATP	J24185000		2-	A	B4
R 8129	CHIPRES.	470k	1/16W	5%	RMC1/16 474JATP	J24185474		1-	A	B4
R 8130	CHIPRES.	150	1/16W	5%	RMC1/16 151JATP	J24185151		1-	A	B5
R 8131	CHIPRES.	4.7k	1/16W	5%	RMC1/16 472JATP	J24185472		1-	A	B4
R 8132	CHIPRES.	100	1/16W	5%	RMC1/16 101JATP	J24185101		1-	A	B4
R 8133	CHIPRES.	100	1/16W	5%	RMC1/16 101JATP	J24185101		1-	A	B4
R 8134	CHIPRES.	3.3k	1/16W	5%	RMC1/16 332JATP	J24185332		1-	A	B4
R 8135	CHIPRES.	1k	1/16W	5%	RMC1/16 102JATP	J24185102		1-	A	A6

# RX-2 Unit (D, MP Type, RXU-9000)

## Parts List

REF	DESCRIPTION	VALUE	V/W	TOL.	MFR'S DESIG	VXSTD P/N	VERS.	LOT	SIDE	LAY ADR
R 8136	CHIPRES.	10k	1/16W	5%	RMC1/16 103JATP	J24185103		1-	A	B6
R 8137	CHIPRES.	100	1/16W	5%	RMC1/16 101JATP	J24185101		1-	A	A6
R 8138	CHIPRES.	33k	1/16W	5%	RMC1/16 333JATP	J24185333		1-	A	A4
R 8139	CHIPRES.	1k	1/16W	5%	RMC1/16 102JATP	J24185102		1-	A	A5
R 8140	CHIPRES.	10	1/16W	5%	RMC1/16 100JATP	J24185100		1-	A	A5
R 8141	CHIPRES.	68	1/10W	5%	RMC1/10T 680J	J24205680		1-	A	B5
R 8142	CHIPRES.	100	1/4W	5%	RMC1/4 101JATP	J24245101		1	A	A3
R 8143	CHIPRES.	1k	1/16W	5%	RMC1/16 102JATP	J24185102		1-	A	C3
R 8144	CHIPRES.	470	1/16W	5%	RMC1/16 471JATP	J24185471		1	A	A3
R 8144	CHIPRES.	330	1/16W	5%	RMC1/16 331JATP	J24185331		2-	A	A3
R 8145	CHIPRES.	3.3k	1/16W	5%	RMC1/16 332JATP	J24185332		1-	A	A3
R 8146	CHIPRES.	0	1/16W	5%	RMC1/16 000JATP	J24185000		1-	A	A4
R 8148	CHIPRES.	22	1/16W	5%	RMC1/16 220JATP	J24185220		1-	A	A3
R 8149	CHIPRES.	3.3k	1/16W	5%	RMC1/16 332JATP	J24185332		1-	A	A6
R 8150	CHIPRES.	1k	1/16W	5%	RMC1/16 102JATP	J24185102		1-	A	A3
R 8151	CHIPRES.	3.3k	1/16W	5%	RMC1/16 332JATP	J24185332		1-	A	A2
R 8152	CHIPRES.	0	1/16W	5%	RMC1/16 000JATP	J24185000		1-	A	A6
R 8153	CHIPRES.	47	1/16W	5%	RMC1/16 470JATP	J24185470		1-	A	A3
R 8154	CHIPRES.	33	1/16W	5%	RMC1/16 330JATP	J24185330		1-	A	B3
R 8155	CHIPRES.	33	1/16W	5%	RMC1/16 330JATP	J24185330		1-	A	B2
R 8156	CHIPRES.	330	1/16W	5%	RMC1/16 331JATP	J24185331		1-	A	B3
R 8157	CHIPRES.	1k	1/16W	5%	RMC1/16 102JATP	J24185102		1-	A	A3
R 8158	CHIPRES.	68	1/10W	5%	RMC1/10T 680J	J24205680		1-	A	A3
R 8159	CHIPRES.	100	1/4W	5%	RMC1/4 101JATP	J24245101		1-	A	B2
R 8160	CHIPRES.	10	1/16W	5%	RMC1/16 100JATP	J24185100		1-	A	A2
R 8162	CHIPRES.	470k	1/16W	5%	RMC1/16 474JATP	J24185474		1-	A	A4
R 8166	CHIPRES.	0	1/16W	5%	RMC1/16 000JATP	J24185000		1-	A	A4
R 8167	CHIPRES.	0	1/16W	5%	RMC1/16 000JATP	J24185000		1-	A	A2
R 8168	CHIPRES.	0	1/16W	5%	RMC1/16 000JATP	J24185000		1-	A	A3
R 8169	CHIPRES.	0	1/16W	5%	RMC1/16 000JATP	J24185000		1-	A	A4
R 8170	CHIPRES.	100k	1/16W	5%	RMC1/16 104JATP	J24185104		1-	A	B3
R 8171	CHIPRES.	0	1/16W	5%	RMC1/16 000JATP	J24185000		1-	A	B3
R 8172	CHIPRES.	0	1/16W	5%	RMC1/16 000JATP	J24185000		1-	A	B3
R 8173	CHIPRES.	0	1/16W	5%	RMC1/16 000JATP	J24185000		1-	A	A2
R 8174	CHIPRES.	100k	1/16W	5%	RMC1/16 104JATP	J24185104		1-	A	B3
R 8175	CHIPRES.	100k	1/16W	5%	RMC1/16 104JATP	J24185104		1-	A	A2
R 8176	CHIPRES.	100k	1/16W	5%	RMC1/16 104JATP	J24185104		1-	A	A3
R 8177	CHIPRES.	1k	1/16W	5%	RMC1/16 102JATP	J24185102		1-	A	A3
R 8178	CHIPRES.	100k	1/16W	5%	RMC1/16 104JATP	J24185104		1-	A	A4
R 8179	CHIPRES.	330k	1/16W	5%	RMC1/16 334JATP	J24185334		1-	A	B3
R 8180	CHIPRES.	1k	1/16W	5%	RMC1/16 102JATP	J24185102		1-	A	B3
R 8180	CHIPRES.	470	1/16W	5%	RMC1/16 471JATP	J24185471		30-	A	B3
R 8181	CHIPRES.	150k	1/16W	5%	RMC1/16 154JATP	J24185154		1-	A	A4
R 8182	CHIPRES.	10k	1/16W	5%	RMC1/16 103JATP	J24185103		1-	A	A5
R 8183	CHIPRES.	220	1/16W	5%	RMC1/16 221JATP	J24185221		1-	A	A5
R 8184	CHIPRES.	10k	1/16W	5%	RMC1/16 103JATP	J24185103		1-	A	B5
R 8184	CHIPRES.	15k	1/16W	5%	RMC1/16 153JATP	J24185153		30-	A	B5
R 8185	CHIPRES.	100	1/16W	5%	RMC1/16 101JATP	J24185101		1-	A	B3
R 8186	CHIPRES.	10k	1/16W	5%	RMC1/16 103JATP	J24185103		1-	A	A2
R 8187	CHIPRES.	150k	1/16W	5%	RMC1/16 154JATP	J24185154		1-	A	A5
R 8188	CHIPRES.	1k	1/16W	5%	RMC1/16 102JATP	J24185102		1-	A	A5
R 8188	CHIPRES.	470	1/16W	5%	RMC1/16 471JATP	J24185471		30-	A	A5
R 8189	CHIPRES.	220	1/16W	5%	RMC1/16 221JATP	J24185221		1-	A	B5
R 8190	CHIPRES.	10k	1/16W	5%	RMC1/16 103JATP	J24185103		1-	A	A4
R 8190	CHIPRES.	22k	1/16W	5%	RMC1/16 223JATP	J24185223		30-	A	A4
R 8191	CHIPRES.	100	1/16W	5%	RMC1/16 101JATP	J24185101		1-	A	C3
R 8192	CHIPRES.	100k	1/16W	5%	RMC1/16 104JATP	J24185104		1-	A	A2
R 8193	CHIPRES.	100	1/16W	5%	RMC1/16 101JATP	J24185101		1-	A	A2
R 8194	CHIPRES.	1k	1/16W	5%	RMC1/16 102JATP	J24185102		1-	A	A2
R 8195	CHIPRES.	68k	1/16W	5%	RMC1/16 683JATP	J24185683		1-	A	A2
R 8195	CHIPRES.	100k	1/16W	5%	RMC1/16 104JATP	J24185104		30-	A	A2
R 8196	CHIPRES.	47k	1/16W	5%	RMC1/16 473JATP	J24185473		1-	A	B3
R 8196	CHIPRES.	100k	1/16W	5%	RMC1/16 104JATP	J24185104		30-	A	B3
R 8197	CHIPRES.	150k	1/16W	5%	RMC1/16 154JATP	J24185154		1-	A	B2
R 8197	CHIPRES.	15k	1/16W	5%	RMC1/16 153JATP	J24185153		30-	A	B2
R 8198	CHIPRES.	68k	1/16W	5%	RMC1/16 683JATP	J24185683		1-	A	B3
R 8199	CHIPRES.	100k	1/16W	5%	RMC1/16 104JATP	J24185104		1-	A	B2
R 8199	CHIPRES.	150k	1/16W	5%	RMC1/16 154JATP	J24185154		30-	A	B2
R 8200	CHIPRES.	1k	1/16W	5%	RMC1/16 102JATP	J24185102		1	A	C3
R 8200	CHIPRES.	150k	1/16W	5%	RMC1/16 154JATP	J24185154		2-	A	C3
R 8200	CHIPRES.	10k	1/16W	5%	RMC1/16 103JATP	J24185103		30-	A	C3
R 8201	CHIPRES.	330	1/16W	5%	RMC1/16 331JATP	J24185331		1	A	B2
R 8201	CHIPRES.	22k	1/16W	5%	RMC1/16 223JATP	J24185223		2-	A	B2

# RX-2 Unit (D, MP Type, RXU-9000)

## Parts List

REF	DESCRIPTION	VALUE	V/W	TOL.	MFR'S DESIG	VXSTD P/N	VERS.	LOT	SIDE	LAY ADR
R 8202	CHIPRES.	10k	1/16W	5%	RMC1/16 103JATP	J24185103		1	A	B3
R 8202	CHIPRES.	150k	1/16W	5%	RMC1/16 154JATP	J24185154		2-	A	B3
R 8203	CHIPRES.	1k	1/16W	5%	RMC1/16 102JATP	J24185102		1	A	B3
R 8203	CHIPRES.	22k	1/16W	5%	RMC1/16 223JATP	J24185223		2-	A	B3
R 8204	CHIPRES.	10k	1/16W	5%	RMC1/16 103JATP	J24185103		1-	A	C3
R 8205	CHIPRES.	100k	1/16W	5%	RMC1/16 104JATP	J24185104		1-	A	B2
R 8206	CHIPRES.	100k	1/16W	5%	RMC1/16 104JATP	J24185104		1-	A	B2
R 8207	CHIPRES.	10k	1/16W	5%	RMC1/16 103JATP	J24185103		1-	A	B2
R 8209	CHIPRES.	33k	1/16W	5%	RMC1/16 333JATP	J24185333		1-	A	B3
R 8210	CHIPRES.	10k	1/16W	5%	RMC1/16 103JATP	J24185103		1-	A	B3
R 8211	CHIPRES.	470	1/16W	5%	RMC1/16 471JATP	J24185471		1-	A	B2
R 8212	CHIPRES.	100	1/16W	5%	RMC1/16 101JATP	J24185101		1-	A	B2
R 8214	CHIPRES.	470	1/16W	5%	RMC1/16 471JATP	J24185471		1-		
R 8215	CHIPRES.	470	1/16W	5%	RMC1/16 471JATP	J24185471		1-	A	B2
R 8216	CHIPRES.	100k	1/16W	5%	RMC1/16 104JATP	J24185104		1-	A	B3
R 8217	CHIPRES.	150k	1/16W	5%	RMC1/16 154JATP	J24185154		1-	A	B2
R 8218	CHIPRES.	470	1/16W	5%	RMC1/16 471JATP	J24185471		1-	A	A2
R 8219	CHIPRES.	470	1/16W	5%	RMC1/16 471JATP	J24185471		1-	A	B2
R 8220	CHIPRES.	100	1/16W	5%	RMC1/16 101JATP	J24185101		1-	A	B3
R 8221	CHIPRES.	470	1/16W	5%	RMC1/16 471JATP	J24185471		1-	A	B2
R 8222	CHIPRES.	560	1/16W	5%	RMC1/16 561JATP	J24185561		1-	A	B3
R 8223	CHIPRES.	2.2k	1/16W	5%	RMC1/16 222JATP	J24185222		1-		
R 8224	CHIPRES.	4.7k	1/16W	5%	RMC1/16 472JATP	J24185472		1-		
R 8225	CHIPRES.	1k	1/16W	5%	RMC1/16 102JATP	J24185102		1-	A	B2
R 8237	CHIPRES.	10k	1/16W	5%	RMC1/16 103JATP	J24185103		1-	A	B3
R 8238	CHIPRES.	10k	1/16W	5%	RMC1/16 103JATP	J24185103		1-	A	C3
R 8239	CHIPRES.	22	1/16W	5%	RMC1/16 220JATP	J24185220		1-	A	C3
R 8241	CHIPRES.	10k	1/16W	5%	RMC1/16 103JATP	J24185103		1-	A	A6
R 8244	CHIPRES.	68k	1/16W	5%	RMC1/16 683JATP	J24185683		1-	A	A2
R 8246	CHIPRES.	10k	1/16W	5%	RMC1/16 103JATP	J24185103		1-	A	C2
R 8247	CHIPRES.	10k	1/16W	5%	RMC1/16 103JATP	J24185103		1-	A	E3
R 8248	CHIPRES.	10k	1/16W	5%	RMC1/16 103JATP	J24185103		1-	A	E3
R 8249	CHIPRES.	10k	1/16W	5%	RMC1/16 103JATP	J24185103		1-	A	E3
R 8250	CHIPRES.	10k	1/16W	5%	RMC1/16 103JATP	J24185103		1-	A	E3
R 8251	CHIPRES.	10k	1/16W	5%	RMC1/16 103JATP	J24185103		1-		
R 8252	CHIPRES.	10k	1/16W	5%	RMC1/16 103JATP	J24185103		1-	A	F3
R 8253	CHIPRES.	10k	1/16W	5%	RMC1/16 103JATP	J24185103		1-		
R 8254	CHIPRES.	10k	1/16W	5%	RMC1/16 103JATP	J24185103		1-	A	F3
R 8255	CHIPRES.	10k	1/16W	5%	RMC1/16 103JATP	J24185103		1-	A	B2
R 8256	CHIPRES.	10k	1/16W	5%	RMC1/16 103JATP	J24185103		1-	A	D2
R 8257	CHIPRES.	10k	1/16W	5%	RMC1/16 103JATP	J24185103		1-	A	D2
R 8258	CHIPRES.	10k	1/16W	5%	RMC1/16 103JATP	J24185103		1-	A	D2
R 8259	CHIPRES.	10k	1/16W	5%	RMC1/16 103JATP	J24185103		1-	A	D2
R 8260	CHIPRES.	10k	1/16W	5%	RMC1/16 103JATP	J24185103		1-	A	C2
R 8261	CHIPRES.	10k	1/16W	5%	RMC1/16 103JATP	J24185103		1-	A	C2
R 8262	CHIPRES.	10k	1/16W	5%	RMC1/16 103JATP	J24185103		1-	A	D2
R 8263	CHIPRES.	10k	1/16W	5%	RMC1/16 103JATP	J24185103		1-	A	D3
R 8264	CHIPRES.	10k	1/16W	5%	RMC1/16 103JATP	J24185103		1-	A	D6
R 8265	CHIPRES.	10k	1/16W	5%	RMC1/16 103JATP	J24185103		1-	A	D6
R 8267	CHIPRES.	100	1/16W	5%	RMC1/16 101JATP	J24185101		1-	A	C5
R 8268	CHIPRES.	3.3k	1/16W	5%	RMC1/16 332JATP	J24185332		1-	A	D2
R 8269	CHIPRES.	100	1/16W	5%	RMC1/16 101JATP	J24185101		1-	A	E3
R 8270	CHIPRES.	100	1/16W	5%	RMC1/16 101JATP	J24185101		1-	A	E3
R 8271	CHIPRES.	100	1/16W	5%	RMC1/16 101JATP	J24185101		1-	A	E3
R 8272	CHIPRES.	100	1/16W	5%	RMC1/16 101JATP	J24185101		1-	A	E3
R 8273	CHIPRES.	4.7k	1/16W	5%	RMC1/16 472JATP	J24185472		1-	A	E5
R 8274	CHIPRES.	470	1/16W	5%	RMC1/16 471JATP	J24185471		1-	A	E5
R 8275	CHIPRES.	68k	1/16W	5%	RMC1/16 683JATP	J24185683		1	A	E5
R 8275	CHIPRES.	6.8k	1/16W	5%	RMC1/16 682JATP	J24185682		2-	A	E5
R 8276	CHIPRES.	33k	1/16W	5%	RMC1/16 333JATP	J24185333		1-	A	E5
R 8277	CHIPRES.	100	1/16W	5%	RMC1/16 101JATP	J24185101		1-	A	F5
R 8278	CHIPRES.	470	1/4W	5%	RMC1/4 471JATP	J24245471		1-		
R 8280	CHIPRES.	18k	1/16W	5%	RMC1/16 183JATP	J24185183		1-	A	F5
R 8281	CHIPRES.	10	1/16W	5%	RMC1/16 100JATP	J24185100		1-	A	D5
R 8283	CHIPRES.	47	1/16W	5%	RMC1/16 470JATP	J24185470		1-	A	E5
R 8284	CHIPRES.	100k	1/16W	5%	RMC1/16 104JATP	J24185104		1-	A	D5
R 8285	CHIPRES.	10k	1/16W	5%	RMC1/16 103JATP	J24185103		1-	A	B2
R 8286	CHIPRES.	47	1/16W	5%	RMC1/16 470JATP	J24185470		1-	A	B2
R 8287	CHIPRES.	100k	1/16W	5%	RMC1/16 104JATP	J24185104		1-	A	B2
R 8288	CHIPRES.	1k	1/16W	5%	RMC1/16 102JATP	J24185102		1-	A	B2
R 8289	CHIPRES.	56	1/16W	5%	RMC1/16 560JATP	J24185560		1-		
R 8290	CHIPRES.	56	1/16W	5%	RMC1/16 560JATP	J24185560		1-		
R 8291	CHIPRES.	3.3k	1/16W	5%	RMC1/16 332JATP	J24185332		1-		

# RX-2 Unit (D, MP Type, RXU-9000)

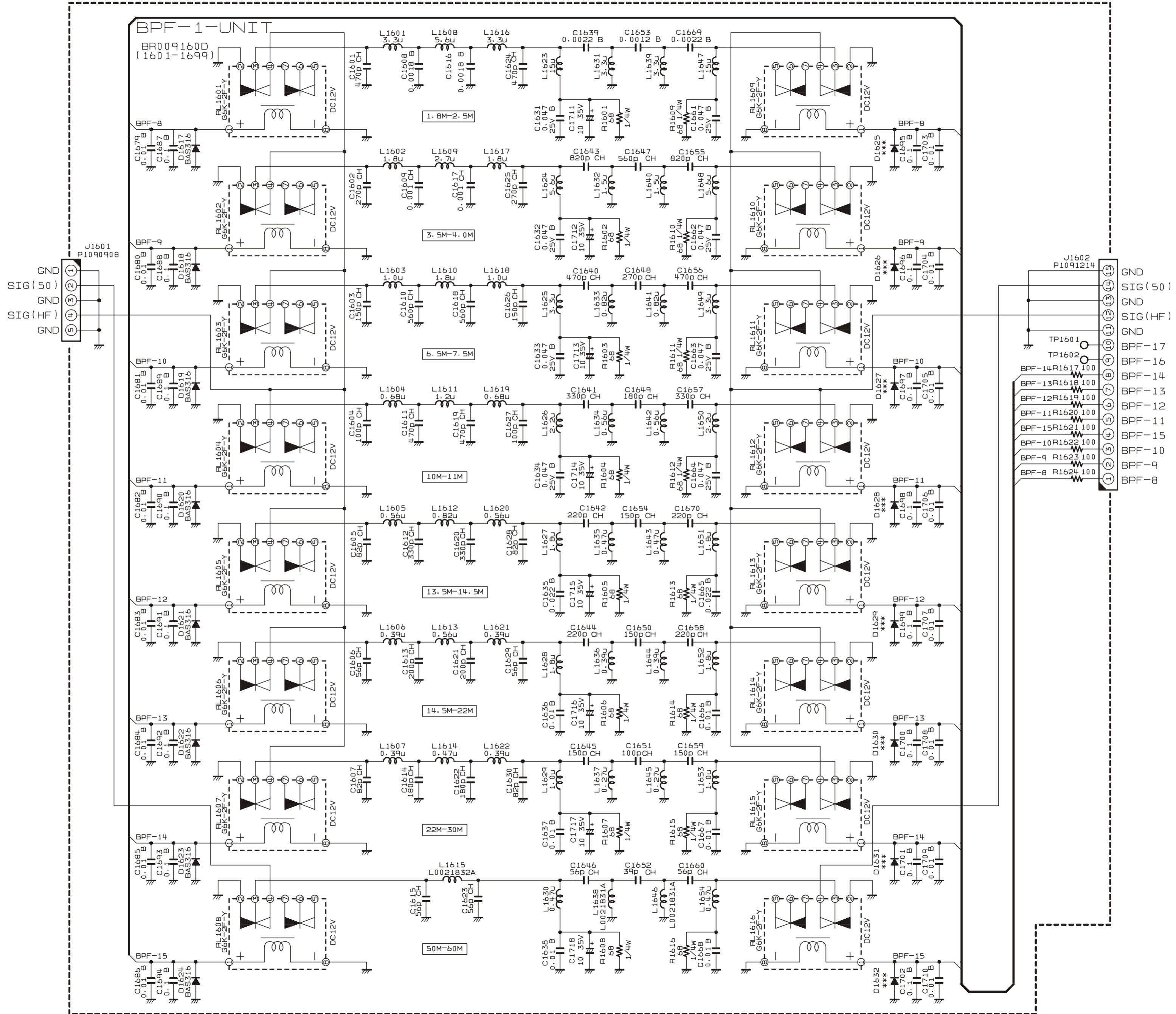
## Parts List

REF	DESCRIPTION	VALUE	V/W	TOL.	MFR'S DESIG	VXSTD P/N	VERS.	LOT	SIDE	LAY ADR
R 8292	CHIPRES.	150	1/16W	5%	RMC1/16 151JATP	J24185151		1-		
R 8296	CHIPRES.	220	1/16W	5%	RMC1/16 221JATP	J24185221		1		
R 8296	CHIPRES.	100	1/16W	5%	RMC1/16 101JATP	J24185101		2-		
R 8297	CHIPRES.	47	1/16W	5%	RMC1/16 470JATP	J24185470		1-		
R 8298	CHIPRES.	100k	1/16W	5%	RMC1/16 104JATP	J24185104		1-		
R 8299	CHIPRES.	22k	1/16W	5%	RMC1/16 223JATP	J24185223		1-		
R 8300	CHIPRES.	100	1/16W	5%	RMC1/16 101JATP	J24185101		1-		
R 8301	CHIPRES.	0	1/16W	5%	RMC1/16 000JATP	J24185000		1-		
R 8303	CARBON FILM RES.	220k	1/6W	5%	RD16TPJ224 220K	J07225224		1		
R 8303	CHIPRES.	220k	1/16W	5%	RMC1/16 224JATP	J24185224		2-		
R 8304	CHIPRES.	22k	1/16W	5%	RMC1/16 223JATP	J24185223		1-		
R 8305	CHIPRES.	10k	1/16W	5%	RMC1/16 103JATP	J24185103		1-		
R 8306	CHIPRES.	0	1/16W	5%	RMC1/16 000JATP	J24185000		1		
R 8307	CHIPRES.	10k	1/16W	5%	RMC1/16 103JATP	J24185103		2-		
R 8308	CARBON FILM RES.	1.2k	1/6W	5%	RD16TPJ122 1.2K	J07225122		2-		
R 8308	CHIPRES.	1.2k	1/16W	5%	RMC1/16 122JATP	J24185122		4-		
R 8309	CHIPRES.	470	1/16W	5%	RMC1/16S 471JTH	J24189021		1-		
R 8309	CHIPRES.	470	1/16W	5%	RMC1/16 471JATP	J24185471		4-		
R 8310	CHIPRES.	0	1/16W	5%	RMC1/16 000JATP	J24185000		2-		
R 8311	CHIPRES.	470	1/16W	5%	RMC1/16 471JATP	J24185471		4-		
R 8312	CHIPRES.	470	1/16W	5%	RMC1/16 471JATP	J24185471		4-		
R 8313	CHIPRES.	470	1/16W	5%	RMC1/16 471JATP	J24185471		4-		
R 8314	CHIPRES.	470	1/16W	5%	RMC1/16 471JATP	J24185471		4-		
R 8315	CHIPRES.	470	1/16W	5%	RMC1/16 471JATP	J24185471		4-		
R 8316	CHIPRES.	2.2k	1/16W	5%	RMC1/16 222JATP	J24185222		3-		
R 8317	CARBON FILM RES.	3.3k	1/6W	5%	RD16PJ332 3.3K	J01225332		2-		
R 8318	CARBON FILM RES.	22k	1/6W	5%	RD16PJ223 22K	J01225223		30-		
R 8319	CHIPRES.	0	1/4W	5%	RMC1/4 000JATP	J24245000		30-		
RL8001	RELAY		DC12V		G6K-2F-Y-TR DC12V	M1190183		1-		
RL8002	RELAY		DC12V		G6K-2F-Y-TR DC12V	M1190183		1-		
RL8003	RELAY		DC12V		G6K-2F-Y-TR DC12V	M1190183		1-		
RL8004	RELAY		DC12V		G6K-2F-Y-TR DC12V	M1190183		1-		
RL8005	RELAY		DC12V		G6K-2F-Y-TR DC12V	M1190183		1-		
RL8006	RELAY		DC12V		G6K-2F-Y-TR DC12V	M1190183		1-		
RL8007	RELAY		DC12V		G6K-2F-Y-TR DC12V	M1190183		1-		
RL8008	RELAY		DC12V		G6K-2F-Y-TR DC12V	M1190183		1-		
RL8009	RELAY		DC12V		G6K-2F-Y-TR DC12V	M1190183		1-		
RL8010	RELAY		DC12V		G6J-2P-Y DC12V	M1190190		1-		
RL8011	RELAY		DC12V		G6J-2P-Y DC12V	M1190190		1-		
RL8012	RELAY		DC12V		G6J-2P-Y DC12V	M1190190		1-		
RL8013	RELAY		DC12V		G6J-2P-Y DC12V	M1190190		1-		
T 8001	COIL 07RF	160MHz			160M R12-K905X	L0022053		1-	A	E4
T 8004	COIL 07WIDE				4-1 2D3 TR6X3	L0020788A		1-	A	C4
T 8005	COIL 07WIDE				4-1 2D3 TR6X3	L0020788A		1-	A	D4
T 8006	COIL 07WIDE				2001F	L0021974		1-	A	D4
T 8006	COIL 07WIDE				2001F FR6.3X3.0X2.2	L0021974A		31-	A	D4
T 8007	COIL 07WIDE				2001F	L0021973		1-	A	C4
T 8007	COIL 07WIDE				2001F FR6.3X3.0X2.2	L0021973A		31-	A	C4
T 8008	COIL 07WIDE				4-1 2D3 TR6X3	L0020788A		1-	A	C4
T 8009	COIL 07WIDE				4-1 2D3 TR6X3	L0020788A		1-	A	C5
T 8010	COIL WIDE-TRANS.				4-1 3A	L0021462		1-	A	C5
T 8011	COIL 07WIDE				4-1 2D3 TR6X3	L0020788A		1-	A	C5
T 8011	BALUN TRANSFOMERS				100812907	L0023086		46-	A	C5
T 8012	COIL 07WIDE				4-1 2D3 TR6X3	L0020788A		1-	A	A3
T 8012	BALUN TRANSFOMERS				100812907	L0023086		46-	A	A3
T 8013	COIL WIDE-TRANS.				4-1 3A	L0021462		1-	A	A2
T 8014	COIL 07WIDE				4-1 2D3 TR6X3	L0020788A		1-	A	A2
T 8015	COIL 07RF	73.62MHz			73.62M R12-J757A	L0021957		1-		
T 8016	COIL WIDE-TRANS.				4-1 3A	L0021462		1-		
T 8017	COIL 07RF	40.455MHz			M7-T1 R-12W083A	L0022920		1-		
T 8018	COIL 07RF	40.455MHz			M7-T1 R-12W083A	L0022920		1-		
T 8019	COIL 07RF	40.455MHz			#223229	L0022919		1-		
T 8020	COIL 07RF	40.455MHz			#223229	L0022919		1-		
T 8021	COIL 07RF	40.455MHz			M7-T1 R-12W081A	L0022918		1-		
T 8022	COIL 07RF	40.455MHz			M7-T1 R-12W081A	L0022918		1-		
T 8023	COIL 07RF	47.1MHz			47.1M R12-M411A	L0021225		1-		
T 8024	COIL 07WIDE				4-1 2D3 TR6X3	L0020788A		1-		
T 8025	COIL 07WIDE				4-1 2D3 TR6X3	L0020788A		1-		
T 8026	COIL 07RF	47MHz			47.0M	L0021546		1-		
T 8027	COIL RF				R12°7947C	L0020422		1-		
T 8028	COIL RF				R12°7947C	L0020422		1-		
T 8029	COIL 07RF	40.455MHz			M7-T1 R-12W084A	L0022921		1-		
T 8030	COIL 07RF	455kHz			#223227	L0022917		1-		

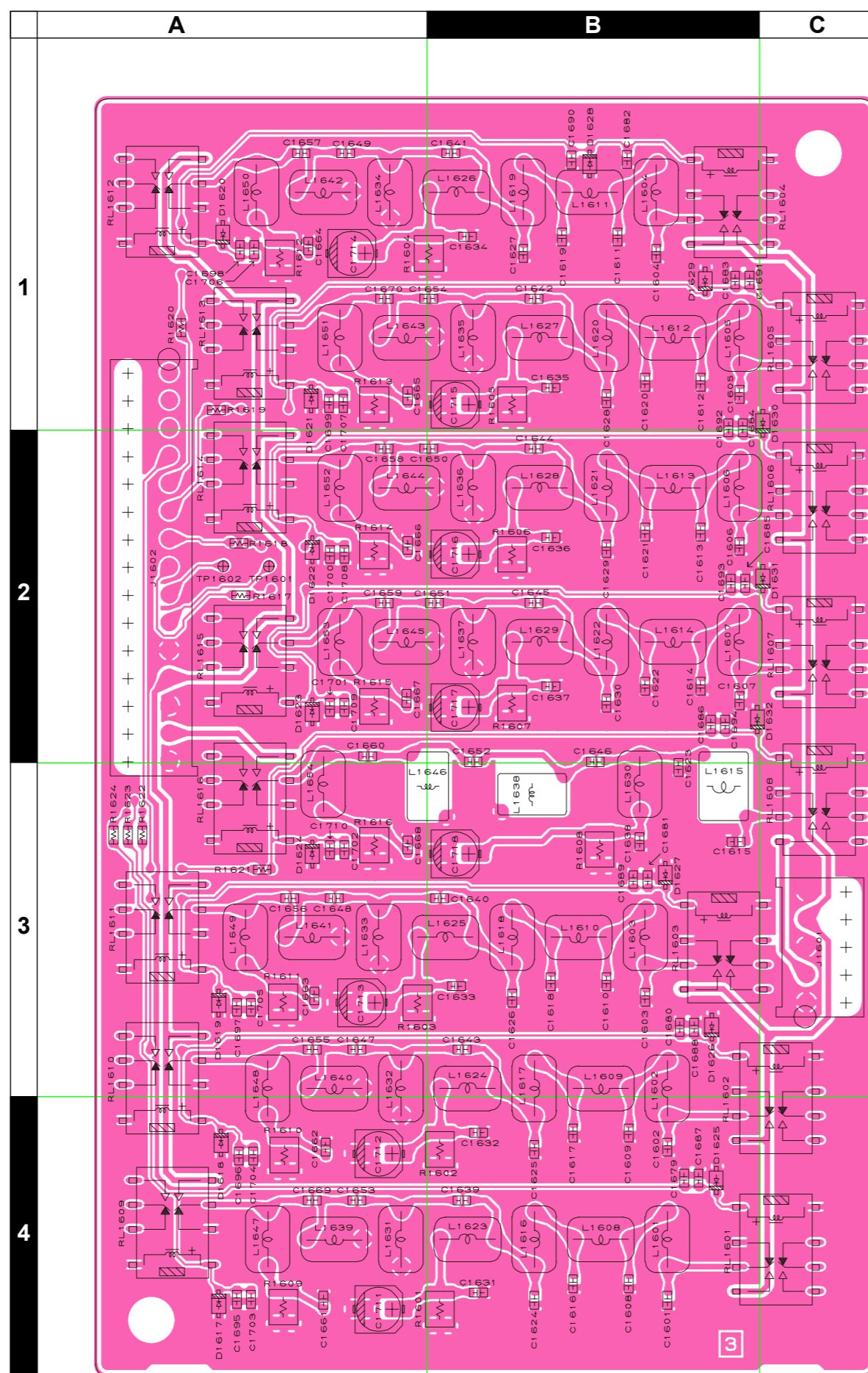
# RX-2 Unit (D, MP Type, RXU-9000)

## Parts List

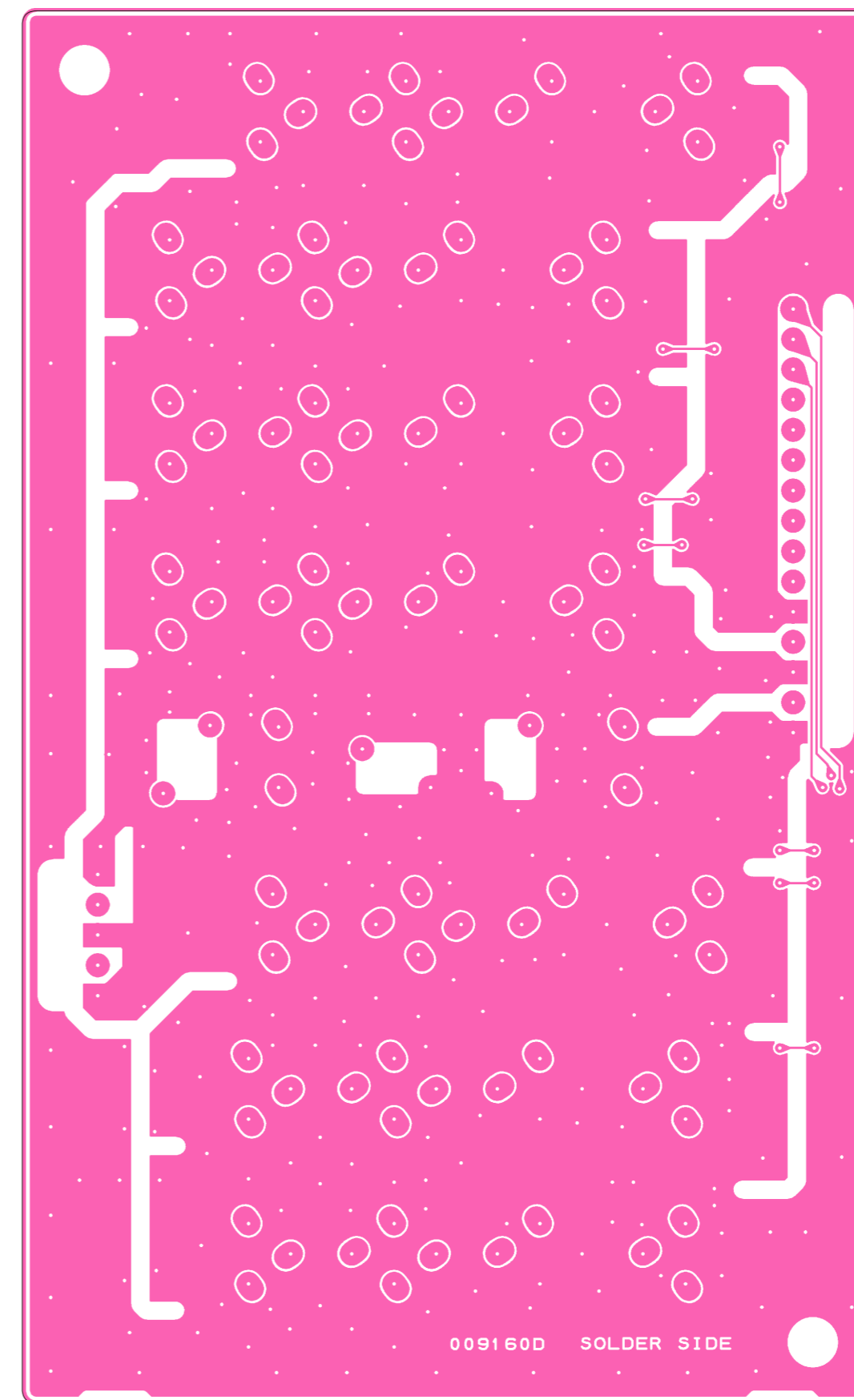
REF	DESCRIPTION	VALUE	V/W	TOL.	MFR'S DESIG	VXSTD P/N	VERS.	LOT	SIDE	LAY ADR
T 8031	COIL RF	455kHz			R12°7935A	L0020421		1-		
T 8032	COIL 07RF		K7-H5 R-12W085A	L0022922		1-				
T 8034	COIL 07WIDE		1-1 3ATR	L0021933		1-				
T 8035	COIL 07WIDE		1-1 3ATR	L0021933		1-				
T 8036	COIL 07WIDE		4-1 2D3 TR6X3	L0020788A		1-				
T 8037	COIL 07WIDE		4-1 2D3 TR6X3	L0020788A		1-				
T 8038	COIL RF		R12°7935A	L0020421		1-				
T 8039	COIL 07WIDE		2289-T022	L0022721		1-				
T 8040	COIL 07WIDE		2289-T022	L0022721		1-				
TC8002	TRIMMERCAP.		30pF			ECR-JA030E11X	K91000253		1-	A
TH8001	THERMISTOR				157-102-53012TP	G9090071		1-	A	D4
TP8001	CHECKTERMINAL				RCT00000C	Q5000103		1-	A	C6
TP8002	CHECKTERMINAL				RCT00000C	Q5000103		1-	A	C3
TP8003	CHECKTERMINAL				RCT00000C	Q5000103		1-		
TP8004	CHECKTERMINAL				RCT00000C	Q5000103		1-	A	D6
TP8005	CHECKTERMINAL				RCT00000C	Q5000103		1-		
TP8027	CHECKTERMINAL				RCT00000C	Q5000103		1-		
VR8001	POT.	470			RH03A3AS2X 470	J51807471		1	A	C6
VR8001	POT.	470			EVN-5ESX50BQ2	J51811471		2-	A	C6
VR8006	POT.	4.7k			RH03A3AS3X 4.7K	J51807472		1-		
VR8007	POT.	4.7k			RH03A3AS3X 4.7K	J51807472		1-		
VR8008	POT.	10k			EVN-5ESX50B14	J51811103		1-		
XF8001	XTAL FILTER				MFT40R3 40.450MHz 15kHz	H1102383		1-	A	D4
XF8002	XTAL FILTER				MFT40L2 40.450MHz 6kHz	H1102384		1-		
XF8003	XTAL FILTER				MFT40F2 40.450MHz 3kHz	H1102385		1-		







Side A



Side B





# BPF-1 Unit

## Parts List

REF	DESCRIPTION	VALUE	V/W	TOL.	MFR'S DESIG	VXSTD P/N	VERS.	LOT	SIDE	LAY ADR
PCB with Components						CB2244001				
Printed Circuit Board						FR009160D		1-		
C 1601	CHIP CAP.	470pF	50V	CH	GRM1882C1H471JA01D	K22174249		1-	A	B4
C 1602	CHIP CAP.	270pF	50V	CH	GRM1882C1H271JA01D	K22174251		1-	A	B4
C 1603	CHIP CAP.	150pF	50V	CH	GRM1882C1H151JA01D	K22174239		1-	A	B3
C 1604	CHIP CAP.	100pF	50V	CH	GRM1882C1H101JA01D	K22174235		1-	A	B1
C 1605	CHIP CAP.	82pF	50V	CH	GRM1882C1H820JA01D	K22174233		1-	A	B1
C 1606	CHIP CAP.	56pF	50V	CH	GRM1882C1H560JA01D	K22174229		1-	A	B2
C 1607	CHIP CAP.	82pF	50V	CH	GRM1882C1H820JA01D	K22174233		1-	A	B2
C 1608	CHIP CAP.	0.0018uF	50V	B	GRM188B11H182KA01D	K22174812		1-	A	B4
C 1609	CHIP CAP.	0.001uF	25V	CH	GRM1882C1E102JA01D	K22144204		1-	A	B4
C 1610	CHIP CAP.	560pF	25V	CH	GRM39CH561J25PT	K22144201		1-	A	B3
C 1610	CHIP CAP.	560pF	50V	CH	GRM1882C1H561JA01D	K22174273		27-	A	B3
C 1611	CHIP CAP.	470pF	50V	CH	GRM1882C1H471JA01D	K22174249		1-	A	B1
C 1612	CHIP CAP.	330pF	50V	CH	GRM1882C1H331JA01D	K22174253		1-	A	B1
C 1613	CHIP CAP.	200pF	50V	CH	GRM1882C1H201JA01D	K22174242		1-	A	B2
C 1614	CHIP CAP.	180pF	50V	CH	GRM1882C1H181JA01D	K22174241		1-	A	B2
C 1615	CHIP CAP.	56pF	50V	CH	GRM1882C1H560JA01D	K22174229		1-	A	B3
C 1616	CHIP CAP.	0.0018uF	50V	B	GRM188B11H182KA01D	K22174812		1-	A	B4
C 1617	CHIP CAP.	0.001uF	25V	CH	GRM1882C1E102JA01D	K22144204		1-	A	B4
C 1618	CHIP CAP.	560pF	25V	CH	GRM39CH561J25PT	K22144201		1-	A	B3
C 1618	CHIP CAP.	560pF	50V	CH	GRM1882C1H561JA01D	K22174273		27-	A	B3
C 1619	CHIP CAP.	470pF	50V	CH	GRM1882C1H471JA01D	K22174249		1-	A	B1
C 1620	CHIP CAP.	330pF	50V	CH	GRM1882C1H331JA01D	K22174253		1-	A	B1
C 1621	CHIP CAP.	200pF	50V	CH	GRM1882C1H201JA01D	K22174242		1-	A	B2
C 1622	CHIP CAP.	180pF	50V	CH	GRM1882C1H181JA01D	K22174241		1-	A	B2
C 1623	CHIP CAP.	56pF	50V	CH	GRM1882C1H560JA01D	K22174229		1-	A	B3
C 1624	CHIP CAP.	470pF	50V	CH	GRM1882C1H471JA01D	K22174249		1-	A	B4
C 1625	CHIP CAP.	270pF	50V	CH	GRM1882C1H271JA01D	K22174251		1-	A	B4
C 1626	CHIP CAP.	150pF	50V	CH	GRM1882C1H151JA01D	K22174239		1-	A	B3
C 1627	CHIP CAP.	100pF	50V	CH	GRM1882C1H101JA01D	K22174235		1-	A	B1
C 1628	CHIP CAP.	82pF	50V	CH	GRM1882C1H820JA01D	K22174233		1-	A	B1
C 1629	CHIP CAP.	56pF	50V	CH	GRM1882C1H560JA01D	K22174229		1-	A	B2
C 1630	CHIP CAP.	82pF	50V	CH	GRM1882C1H820JA01D	K22174233		1-	A	B2
C 1631	CHIP CAP.	0.047uF	16V	B	GRM39B473K16PT	K22124804		1-	A	B4
C 1631	CHIP CAP.	0.047uF	25V	B	GRM188B11E473KA01D	K22144811		27-	A	B4
C 1632	CHIP CAP.	0.047uF	16V	B	GRM39B473K16PT	K22124804		1-	A	B4
C 1632	CHIP CAP.	0.047uF	25V	B	GRM188B11E473KA01D	K22144811		27-	A	B4
C 1633	CHIP CAP.	0.047uF	16V	B	GRM39B473K16PT	K22124804		1-	A	B3
C 1633	CHIP CAP.	0.047uF	25V	B	GRM188B11E473KA01D	K22144811		27-	A	B3
C 1634	CHIP CAP.	0.047uF	16V	B	GRM39B473K16PT	K22124804		1-	A	B1
C 1634	CHIP CAP.	0.047uF	25V	B	GRM188B11E473KA01D	K22144811		27-	A	B1
C 1635	CHIP CAP.	0.022uF	25V	B	GRM39B223K25PT	K22144807		1-	A	B1
C 1635	CHIP CAP.	0.022uF	50V	B	GRM188B11H223KA01D	K22174839		27-	A	B1
C 1636	CHIP CAP.	0.01uF	50V	B	GRM188B11H103KA01D	K22174823		1-	A	B2
C 1637	CHIP CAP.	0.01uF	50V	B	GRM188B11H103KA01D	K22174823		1-	A	B2
C 1638	CHIP CAP.	0.01uF	50V	B	GRM188B11H103KA01D	K22174823		1-	A	B3
C 1639	CHIP CAP.	0.0022uF	50V	B	GRM188B11H222KA01D	K22174822		1-	A	B4
C 1640	CHIP CAP.	470pF	50V	CH	GRM1882C1H471JA01D	K22174249		1-	A	B3
C 1641	CHIP CAP.	330pF	50V	CH	GRM1882C1H331JA01D	K22174253		1-	A	B1
C 1642	CHIP CAP.	220pF	50V	CH	GRM1882C1H221JA01D	K22174243		1-	A	B1
C 1643	CHIP CAP.	820pF	25V	CH	GRM1882C1E821JA01D	K22144202		1-	A	B3
C 1644	CHIP CAP.	220pF	50V	CH	GRM1882C1H221JA01D	K22174243		1-	A	B2
C 1645	CHIP CAP.	150pF	50V	CH	GRM1882C1H151JA01D	K22174239		1-	A	B2
C 1646	CHIP CAP.	56pF	50V	CH	GRM1882C1H560JA01D	K22174229		1-	A	B2
C 1647	CHIP CAP.	560pF	25V	CH	GRM39CH561J25PT	K22144201		1-	A	A3
C 1647	CHIP CAP.	560pF	50V	CH	GRM1882C1H561JA01D	K22174273		27-	A	A3
C 1648	CHIP CAP.	270pF	50V	CH	GRM1882C1H271JA01D	K22174251		1-	A	A3
C 1649	CHIP CAP.	180pF	50V	CH	GRM1882C1H181JA01D	K22174241		1-	A	A1
C 1650	CHIP CAP.	150pF	50V	CH	GRM1882C1H151JA01D	K22174239		1-	A	B2
C 1651	CHIP CAP.	100pF	50V	CH	GRM1882C1H101JA01D	K22174235		1-	A	B2
C 1652	CHIP CAP.	39pF	50V	CH	GRM1882C1H390JA01D	K22174225		1-	A	B2
C 1653	CHIP CAP.	0.0012uF	50V	B	GRM188B11H122KA01D	K22174826		1-	A	A4
C 1654	CHIP CAP.	150pF	50V	CH	GRM1882C1H151JA01D	K22174239		1-	A	B1
C 1655	CHIP CAP.	820pF	25V	CH	GRM1882C1E821JA01D	K22144202		1-	A	A3
C 1656	CHIP CAP.	470pF	50V	CH	GRM1882C1H471JA01D	K22174249		1-	A	A3
C 1657	CHIP CAP.	330pF	50V	CH	GRM1882C1H331JA01D	K22174253		1-	A	A1
C 1658	CHIP CAP.	220pF	50V	CH	GRM1882C1H221JA01D	K22174243		1-	A	A2
C 1659	CHIP CAP.	150pF	50V	CH	GRM1882C1H151JA01D	K22174239		1-	A	A2
C 1660	CHIP CAP.	56pF	50V	CH	GRM1882C1H560JA01D	K22174229		1-	A	A2
C 1661	CHIP CAP.	0.047uF	16V	B	GRM39B473K16PT	K22124804		1-	A	A4
C 1661	CHIP CAP.	0.047uF	25V	B	GRM188B11E473KA01D	K22144811		27-	A	A4
C 1662	CHIP CAP.	0.047uF	16V	B	GRM39B473K16PT	K22124804		1-	A	A4

# BPF-1 Unit

## Parts List

REF	DESCRIPTION	VALUE	V/W	TOL.	MFR'S DESIG	VXSTD P/N	VERS.	LOT	SIDE	LAY ADR
C 1662	CHIP CAP.	0.047uF	25V	B	GRM188B11E473KA01D	K22144811		27-	A	A4
C 1663	CHIP CAP.	0.047uF	16V	B	GRM39B473K16PT	K22124804		1-	A	A3
C 1663	CHIP CAP.	0.047uF	25V	B	GRM188B11E473KA01D	K22144811		27-	A	A3
C 1664	CHIP CAP.	0.047uF	16V	B	GRM39B473K16PT	K22124804		1-	A	A1
C 1664	CHIP CAP.	0.047uF	25V	B	GRM188B11E473KA01D	K22144811		27-	A	A1
C 1665	CHIP CAP.	0.022uF	25V	B	GRM39B223K25PT	K22144807		1-	A	A1
C 1665	CHIP CAP.	0.022uF	50V	B	GRM188B11H223KA01D	K22174839		27-	A	A1
C 1666	CHIP CAP.	0.01uF	50V	B	GRM188B11H103KA01D	K22174823		1-	A	A2
C 1667	CHIP CAP.	0.01uF	50V	B	GRM188B11H103KA01D	K22174823		1-	A	A2
C 1668	CHIP CAP.	0.01uF	50V	B	GRM188B11H103KA01D	K22174823		1-	A	A3
C 1669	CHIP CAP.	0.0022uF	50V	B	GRM188B11H222KA01D	K22174822		1-	A	A4
C 1670	CHIP CAP.	220pF	50V	CH	GRM1882C1H221JA01D	K22174243		1-	A	A1
C 1671	AL.ELECTRO.CAP.	10uF	35V		ECEV1VA100WR	K48160004		1	A	A4
C 1672	AL.ELECTRO.CAP.	10uF	35V		ECEV1VA100WR	K48160004		1	A	A4
C 1673	AL.ELECTRO.CAP.	10uF	35V		ECEV1VA100WR	K48160004		1	A	A3
C 1674	AL.ELECTRO.CAP.	10uF	35V		ECEV1VA100WR	K48160004		1	A	A1
C 1675	AL.ELECTRO.CAP.	10uF	35V		ECEV1VA100WR	K48160004		1	A	B1
C 1676	AL.ELECTRO.CAP.	10uF	35V		ECEV1VA100WR	K48160004		1	A	B2
C 1677	AL.ELECTRO.CAP.	10uF	35V		ECEV1VA100WR	K48160004		1	A	B2
C 1678	AL.ELECTRO.CAP.	10uF	35V		ECEV1VA100WR	K48160004		1	A	B3
C 1679	CHIP CAP.	0.01uF	50V	B	GRM188B11H103KA01D	K22174823		1-	A	B4
C 1680	CHIP CAP.	0.01uF	50V	B	GRM188B11H103KA01D	K22174823		1-	A	B3
C 1681	CHIP CAP.	0.01uF	50V	B	GRM188B11H103KA01D	K22174823		1-	A	B3
C 1682	CHIP CAP.	0.01uF	50V	B	GRM188B11H103KA01D	K22174823		1-	A	B1
C 1683	CHIP CAP.	0.01uF	50V	B	GRM188B11H103KA01D	K22174823		1-	A	B1
C 1684	CHIP CAP.	0.01uF	50V	B	GRM188B11H103KA01D	K22174823		1-	A	B1
C 1685	CHIP CAP.	0.01uF	50V	B	GRM188B11H103KA01D	K22174823		1-	A	B2
C 1686	CHIP CAP.	0.01uF	50V	B	GRM188B11H103KA01D	K22174823		1-	A	B2
C 1687	CHIP CAP.	0.1uF	16V	B	GRM188B11C104KA01D	K22124805		1-	A	B4
C 1688	CHIP CAP.	0.1uF	16V	B	GRM188B11C104KA01D	K22124805		1-	A	B3
C 1689	CHIP CAP.	0.1uF	16V	B	GRM188B11C104KA01D	K22124805		1-	A	B3
C 1690	CHIP CAP.	0.1uF	16V	B	GRM188B11C104KA01D	K22124805		1-	A	B1
C 1691	CHIP CAP.	0.1uF	16V	B	GRM188B11C104KA01D	K22124805		1-	A	B1
C 1692	CHIP CAP.	0.1uF	16V	B	GRM188B11C104KA01D	K22124805		1-	A	B1
C 1693	CHIP CAP.	0.1uF	16V	B	GRM188B11C104KA01D	K22124805		1-	A	B2
C 1694	CHIP CAP.	0.1uF	16V	B	GRM188B11C104KA01D	K22124805		1-	A	B2
C 1695	CHIP CAP.	0.1uF	16V	B	GRM188B11C104KA01D	K22124805		1-	A	A4
C 1696	CHIP CAP.	0.1uF	16V	B	GRM188B11C104KA01D	K22124805		1-	A	A4
C 1697	CHIP CAP.	0.1uF	16V	B	GRM188B11C104KA01D	K22124805		1-	A	A3
C 1698	CHIP CAP.	0.1uF	16V	B	GRM188B11C104KA01D	K22124805		1-	A	A1
C 1699	CHIP CAP.	0.1uF	16V	B	GRM188B11C104KA01D	K22124805		1-	A	A1
C 1700	CHIP CAP.	0.1uF	16V	B	GRM188B11C104KA01D	K22124805		1-	A	A2
C 1701	CHIP CAP.	0.1uF	16V	B	GRM188B11C104KA01D	K22124805		1-	A	A2
C 1702	CHIP CAP.	0.1uF	16V	B	GRM188B11C104KA01D	K22124805		1-	A	A3
C 1703	CHIP CAP.	0.01uF	50V	B	GRM188B11H103KA01D	K22174823		1-	A	A4
C 1704	CHIP CAP.	0.01uF	50V	B	GRM188B11H103KA01D	K22174823		1-	A	A4
C 1705	CHIP CAP.	0.01uF	50V	B	GRM188B11H103KA01D	K22174823		1-	A	A3
C 1706	CHIP CAP.	0.01uF	50V	B	GRM188B11H103KA01D	K22174823		1-	A	A1
C 1707	CHIP CAP.	0.01uF	50V	B	GRM188B11H103KA01D	K22174823		1-	A	A1
C 1708	CHIP CAP.	0.01uF	50V	B	GRM188B11H103KA01D	K22174823		1-	A	A2
C 1709	CHIP CAP.	0.01uF	50V	B	GRM188B11H103KA01D	K22174823		1-	A	A2
C 1710	CHIP CAP.	0.01uF	50V	B	GRM188B11H103KA01D	K22174823		1-	A	A3
C 1711	AL.ELECTRO.CAP.	10uF	35V		ECEV1VA100WR	K48160004		2-	A	A4
C 1711	AL.ELECTRO.CAP.	10uF	35V		EEE1VA100WR	K48160006		9-	A	A4
C 1712	AL.ELECTRO.CAP.	10uF	35V		ECEV1VA100WR	K48160004		2-	A	A4
C 1712	AL.ELECTRO.CAP.	10uF	35V		EEE1VA100WR	K48160006		9-	A	A4
C 1713	AL.ELECTRO.CAP.	10uF	35V		ECEV1VA100WR	K48160004		2-	A	A3
C 1713	AL.ELECTRO.CAP.	10uF	35V		EEE1VA100WR	K48160006		9-	A	A3
C 1714	AL.ELECTRO.CAP.	10uF	35V		ECEV1VA100WR	K48160004		2-	A	A1
C 1714	AL.ELECTRO.CAP.	10uF	35V		EEE1VA100WR	K48160006		9-	A	A1
C 1715	AL.ELECTRO.CAP.	10uF	35V		ECEV1VA100WR	K48160004		2-	A	B1
C 1715	AL.ELECTRO.CAP.	10uF	35V		EEE1VA100WR	K48160006		9-	A	B1
C 1716	AL.ELECTRO.CAP.	10uF	35V		ECEV1VA100WR	K48160004		2-	A	B2
C 1716	AL.ELECTRO.CAP.	10uF	35V		EEE1VA100WR	K48160006		9-	A	B2
C 1717	AL.ELECTRO.CAP.	10uF	35V		ECEV1VA100WR	K48160004		2-	A	B2
C 1717	AL.ELECTRO.CAP.	10uF	35V		EEE1VA100WR	K48160006		9-	A	B2
C 1718	AL.ELECTRO.CAP.	10uF	35V		ECEV1VA100WR	K48160004		2-	A	B3
C 1718	AL.ELECTRO.CAP.	10uF	35V		EEE1VA100WR	K48160006		9-	A	B3
D 1617	DIODE				BAS316	G2070716		1-	A	A4
D 1618	DIODE				BAS316	G2070716		1-	A	A4
D 1619	DIODE				BAS316	G2070716		1-	A	A3
D 1620	DIODE				BAS316	G2070716		1-	A	A1
D 1621	DIODE				BAS316	G2070716		1-	A	A1

# BPF-1 Unit

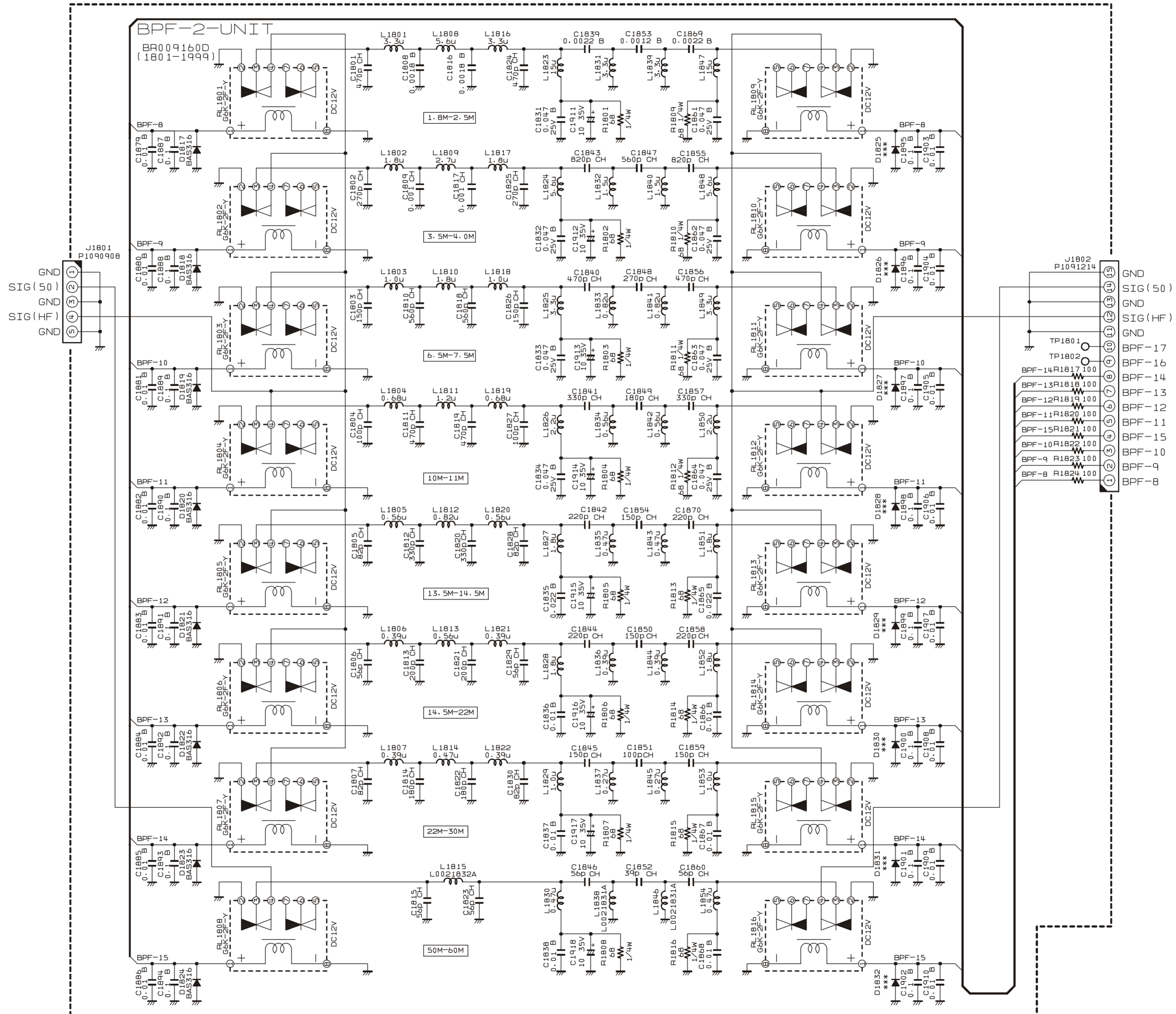
## Parts List

REF	DESCRIPTION	VALUE	V/W	TOL.	MFR'S DESIG	VXSTD P/N	VERS.	LOT	SIDE	LAY ADR
D 1622	DIODE				BAS316	G2070716		1-	A	A2
D 1623	DIODE				BAS316	G2070716		1-	A	A2
D 1624	DIODE				BAS316	G2070716		1-	A	A3
J 1601	CONNECTOR				IMSA-9133S-05D	P1090908		1-	A	C3
J 1602	CONNECTOR				IMSA-9133S-15D	P1091214		1-	A	A1
L 1601	M.RFC	3.3uH			LAV35VB3R3K	L1790225		1-	A	B4
L 1602	M.RFC	1.8uH			LAV35VB1R8K	L1790222		1-	A	B4
L 1603	M.RFC	1uH			LAV35VB1R0K	L1790219		1-	A	B3
L 1604	M.RFC	0.68uH			LAV35VBR68M	L1790217		1-	A	B1
L 1605	M.RFC	0.56uH			LAV35VBR56M	L1790216		1-	A	B1
L 1606	M.RFC	0.39uH			LAV35VBR39M	L1790214		1-	A	B2
L 1607	M.RFC	0.39uH			LAV35VBR39M	L1790214		1-	A	B2
L 1608	M.RFC	5.6uH			LAV35VB5R6K	L1790228		1-	A	B4
L 1609	M.RFC	2.7uH			LAV35VB2R7K	L1790224		1-	A	B3
L 1610	M.RFC	1.8uH			LAV35VB1R8K	L1790222		1-	A	B3
L 1611	M.RFC	1.2uH			LAV35VB1R2K	L1790220		1-	A	B1
L 1612	M.RFC	0.82uH			LAV35VBR82M	L1790218		1-	A	B1
L 1613	M.RFC	0.56uH			LAV35VBR56M	L1790216		1-	A	B2
L 1614	M.RFC	0.47uH			LAV35VBR47M	L1790215		1-	A	B2
L 1615	COIL A1				5.5T5.0D0.6UEW R	L0021832A		1-	A	B3
L 1616	M.RFC	3.3uH			LAV35VB3R3K	L1790225		1-	A	B4
L 1617	M.RFC	1.8uH			LAV35VB1R8K	L1790222		1-	A	B3
L 1618	M.RFC	1uH			LAV35VB1R0K	L1790219		1-	A	B3
L 1619	M.RFC	0.68uH			LAV35VBR68M	L1790217		1-	A	B1
L 1620	M.RFC	0.56uH			LAV35VBR56M	L1790216		1-	A	B1
L 1621	M.RFC	0.39uH			LAV35VBR39M	L1790214		1-	A	B2
L 1622	M.RFC	0.39uH			LAV35VBR39M	L1790214		1-	A	B2
L 1623	M.RFC	15uH			LAV35VB150K	L1790233		1-	A	B4
L 1624	M.RFC	5.6uH			LAV35VB5R6K	L1790228		1-	A	B3
L 1625	M.RFC	3.3uH			LAV35VB3R3K	L1790225		1-	A	A3
L 1626	M.RFC	2.2uH			LAV35VB2R2K	L1790223		1-	A	B1
L 1627	M.RFC	1.8uH			LAV35VB1R8K	L1790222		1-	A	B1
L 1628	M.RFC	1.8uH			LAV35VB1R8K	L1790222		1-	A	B2
L 1629	M.RFC	1uH			LAV35VB1R0K	L1790219		1-	A	B2
L 1630	M.RFC	0.47uH			LAV35VBR47M	L1790215		1-	A	B3
L 1631	M.RFC	3.3uH			LAV35VB3R3K	L1790225		1-	A	A4
L 1632	M.RFC	1.5uH			LAV35VB1R5K	L1790221		1-	A	A4
L 1633	M.RFC	0.82uH			LAV35VBR82M	L1790218		1-	A	A3
L 1634	M.RFC	0.56uH			LAV35VBR56M	L1790216		1-	A	A1
L 1635	M.RFC	0.47uH			LAV35VBR47M	L1790215		1-	A	B1
L 1636	M.RFC	0.39uH			LAV35VBR39M	L1790214		1-	A	B2
L 1637	M.RFC	0.27uH			LAV35VBR27M	L1790212		1-	A	B2
L 1638	COIL A1				4.5T5.0D0.6UEW R	L0021831A		1-	A	B3
L 1639	M.RFC	3.3uH			LAV35VB3R3K	L1790225		1-	A	A4
L 1640	M.RFC	1.5uH			LAV35VB1R5K	L1790221		1-	A	A3
L 1641	M.RFC	0.82uH			LAV35VBR82M	L1790218		1-	A	A3
L 1642	M.RFC	0.56uH			LAV35VBR56M	L1790216		1-	A	A1
L 1643	M.RFC	0.47uH			LAV35VBR47M	L1790215		1-	A	B1
L 1644	M.RFC	0.39uH			LAV35VBR39M	L1790214		1-	A	B2
L 1645	M.RFC	0.27uH			LAV35VBR27M	L1790212		1-	A	B2
L 1646	COIL A1				4.5T5.0D0.6UEW R	L0021831A		1-	A	B3
L 1647	M.RFC	15uH			LAV35VB150K	L1790233		1-	A	A4
L 1648	M.RFC	5.6uH			LAV35VB5R6K	L1790228		1-	A	A4
L 1649	M.RFC	3.3uH			LAV35VB3R3K	L1790225		1-	A	A3
L 1650	M.RFC	2.2uH			LAV35VB2R2K	L1790223		1-	A	A1
L 1651	M.RFC	1.8uH			LAV35VB1R8K	L1790222		1-	A	A1
L 1652	M.RFC	1.8uH			LAV35VB1R8K	L1790222		1-	A	A2
L 1653	M.RFC	1uH			LAV35VB1R0K	L1790219		1-	A	A2
L 1654	M.RFC	0.47uH			LAV35VBR47M	L1790215		1-	A	A3
R 1601	CARBON FILM RES.	68	1/6W	5%	RD16TPJ680 68	J07225680		1	A	B4
R 1601	CHIPRES.	68	1/4W	5%	RMC1/4 680JATP	J24245680		2-	A	B4
R 1602	CARBON FILM RES.	68	1/6W	5%	RD16TPJ680 68	J07225680		1	A	B4
R 1602	CHIPRES.	68	1/4W	5%	RMC1/4 680JATP	J24245680		2-	A	B4
R 1603	CARBON FILM RES.	68	1/6W	5%	RD16TPJ680 68	J07225680		1	A	A3
R 1603	CHIPRES.	68	1/4W	5%	RMC1/4 680JATP	J24245680		2-	A	A3
R 1604	CARBON FILM RES.	68	1/6W	5%	RD16TPJ680 68	J07225680		1	A	B1
R 1604	CHIPRES.	68	1/4W	5%	RMC1/4 680JATP	J24245680		2-	A	B1
R 1605	CARBON FILM RES.	68	1/6W	5%	RD16TPJ680 68	J07225680		1	A	B1
R 1605	CHIPRES.	68	1/4W	5%	RMC1/4 680JATP	J24245680		2-	A	B1
R 1606	CARBON FILM RES.	68	1/6W	5%	RD16TPJ680 68	J07225680		1	A	B2
R 1606	CHIPRES.	68	1/4W	5%	RMC1/4 680JATP	J24245680		2-	A	B2
R 1607	CARBON FILM RES.	68	1/6W	5%	RD16TPJ680 68	J07225680		1	A	B2
R 1607	CHIPRES.	68	1/4W	5%	RMC1/4 680JATP	J24245680		2-	A	B2

# BPF-1 Unit

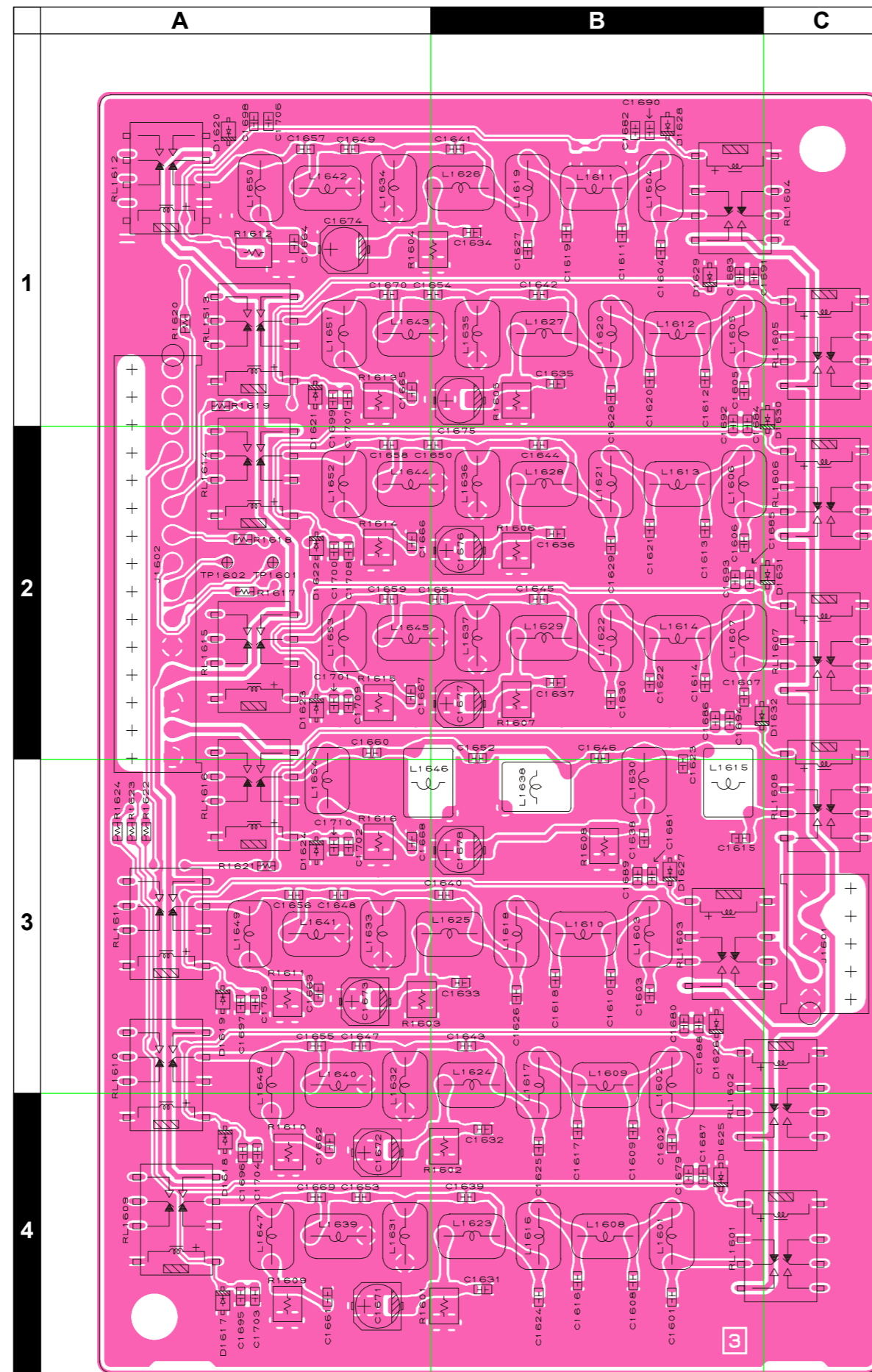
## Parts List

REF	DESCRIPTION	VALUE	V/W	TOL.	MFR'S DESIG	VXSTD P/N	VERS.	LOT	SIDE	LAY ADR
R 1608	CARBON FILM RES.	68	1/6W	5%	RD16TPJ680 68	J07225680		1	A	B3
R 1608	CHIPRES.	68	1/4W	5%	RMC1/4 680JATP	J24245680		2-	A	B3
R 1609	CHIPRES.	68	1/4W	5%	RMC1/4 680JATP	J24245680		1-	A	A4
R 1610	CHIPRES.	68	1/4W	5%	RMC1/4 680JATP	J24245680		1-	A	A4
R 1611	CHIPRES.	68	1/4W	5%	RMC1/4 680JATP	J24245680		1-	A	A3
R 1612	CHIPRES.	68	1/4W	5%	RMC1/4 680JATP	J24245680		1-	A	A1
R 1613	CHIPRES.	68	1/4W	5%	RMC1/4 680JATP	J24245680		1-	A	A1
R 1614	CHIPRES.	68	1/4W	5%	RMC1/4 680JATP	J24245680		1-	A	A2
R 1615	CHIPRES.	68	1/4W	5%	RMC1/4 680JATP	J24245680		1-	A	A2
R 1616	CHIPRES.	68	1/4W	5%	RMC1/4 680JATP	J24245680		1-	A	A3
R 1617	CHIPRES.	100	1/16W	5%	RMC1/16 101JATP	J24185101		1-	A	A2
R 1618	CHIPRES.	100	1/16W	5%	RMC1/16 101JATP	J24185101		1-	A	A2
R 1619	CHIPRES.	100	1/16W	5%	RMC1/16 101JATP	J24185101		1-	A	A1
R 1620	CHIPRES.	100	1/16W	5%	RMC1/16 101JATP	J24185101		1-	A	A1
R 1621	CHIPRES.	100	1/16W	5%	RMC1/16 101JATP	J24185101		1-	A	A3
R 1622	CHIPRES.	100	1/16W	5%	RMC1/16 101JATP	J24185101		1-	A	A3
R 1623	CHIPRES.	100	1/16W	5%	RMC1/16 101JATP	J24185101		1-	A	A3
R 1624	CHIPRES.	100	1/16W	5%	RMC1/16 101JATP	J24185101		1-	A	A3
RL1601	RELAY		DC12V		G6K-2F-Y-TR DC12V	M1190183		1-	A	C4
RL1602	RELAY		DC12V		G6K-2F-Y-TR DC12V	M1190183		1-	A	C4
RL1603	RELAY		DC12V		G6K-2F-Y-TR DC12V	M1190183		1-	A	B3
RL1604	RELAY		DC12V		G6K-2F-Y-TR DC12V	M1190183		1-	A	B1
RL1605	RELAY		DC12V		G6K-2F-Y-TR DC12V	M1190183		1-	A	C1
RL1606	RELAY		DC12V		G6K-2F-Y-TR DC12V	M1190183		1-	A	C2
RL1607	RELAY		DC12V		G6K-2F-Y-TR DC12V	M1190183		1-	A	C2
RL1608	RELAY		DC12V		G6K-2F-Y-TR DC12V	M1190183		1-	A	C3
RL1609	RELAY		DC12V		G6K-2F-Y-TR DC12V	M1190183		1-	A	A4
RL1610	RELAY		DC12V		G6K-2F-Y-TR DC12V	M1190183		1-	A	A3
RL1611	RELAY		DC12V		G6K-2F-Y-TR DC12V	M1190183		1-	A	A3
RL1612	RELAY		DC12V		G6K-2F-Y-TR DC12V	M1190183		1-	A	A1
RL1613	RELAY		DC12V		G6K-2F-Y-TR DC12V	M1190183		1-	A	A1
RL1614	RELAY		DC12V		G6K-2F-Y-TR DC12V	M1190183		1-	A	A2
RL1615	RELAY		DC12V		G6K-2F-Y-TR DC12V	M1190183		1-	A	A2
RL1616	RELAY		DC12V		G6K-2F-Y-TR DC12V	M1190183		1-	A	A3

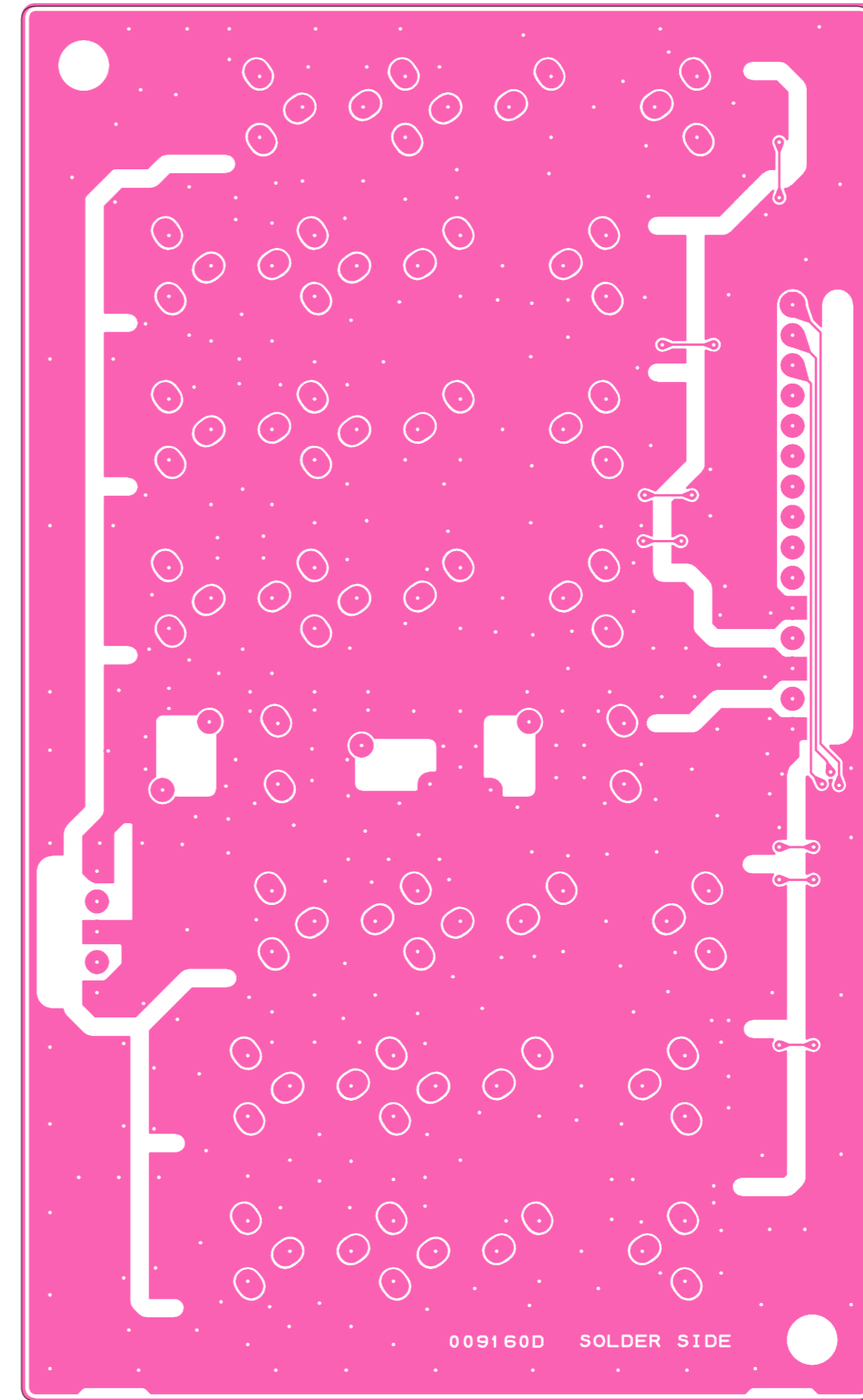


***BPF-2 Unit (D, MP Type, RXU-9000)***

*Note*



Side A



Side B



***BPF-2 Unit (D, MP Type, RXU-9000)***

*Note*

# BPF-2 Unit (D, MP Type, RXU-9000)

## Parts List

REF	DESCRIPTION	VALUE	V/W	TOL.	MFR'S DESIG	VXSTD P/N	VERS.	LOT	SIDE	LAY ADR	
PCB with Components						CB3092001					
Printed Circuit Board						FR009160D			1-		
C 1801	CHIP CAP.	470pF	50V	CH	GRM1882C1H471JA01D	K22174249		1-			
C 1802	CHIP CAP.	270pF	50V	CH	GRM1882C1H271JA01D	K22174251		1-			
C 1803	CHIP CAP.	150pF	50V	CH	GRM1882C1H151JA01D	K22174239		1-			
C 1804	CHIP CAP.	100pF	50V	CH	GRM1882C1H101JA01D	K22174235		1-			
C 1805	CHIP CAP.	82pF	50V	CH	GRM1882C1H820JA01D	K22174233		1-			
C 1806	CHIP CAP.	56pF	50V	CH	GRM1882C1H560JA01D	K22174229		1-			
C 1807	CHIP CAP.	82pF	50V	CH	GRM1882C1H820JA01D	K22174233		1-			
C 1808	CHIP CAP.	0.0018uF	50V	B	GRM188B11H182KA01D	K22174812		1-			
C 1809	CHIP CAP.	0.001uF	25V	CH	GRM1882C1E102JA01D	K22144204		1-			
C 1810	CHIP CAP.	560pF	25V	CH	GRM39CH561J25PT	K22144201		1-			
C 1810	CHIP CAP.	560pF	50V	CH	GRM1882C1H561JA01D	K22174273		27-			
C 1811	CHIP CAP.	470pF	50V	CH	GRM1882C1H471JA01D	K22174249		1-			
C 1812	CHIP CAP.	330pF	50V	CH	GRM1882C1H331JA01D	K22174253		1-			
C 1813	CHIP CAP.	200pF	50V	CH	GRM1882C1H201JA01D	K22174242		1-			
C 1814	CHIP CAP.	180pF	50V	CH	GRM1882C1H181JA01D	K22174241		1-			
C 1815	CHIP CAP.	56pF	50V	CH	GRM1882C1H560JA01D	K22174229		1-			
C 1816	CHIP CAP.	0.0018uF	50V	B	GRM188B11H182KA01D	K22174812		1-			
C 1817	CHIP CAP.	0.001uF	25V	CH	GRM1882C1E102JA01D	K22144204		1-			
C 1818	CHIP CAP.	560pF	25V	CH	GRM39CH561J25PT	K22144201		1-			
C 1818	CHIP CAP.	560pF	50V	CH	GRM1882C1H561JA01D	K22174273		27-			
C 1819	CHIP CAP.	470pF	50V	CH	GRM1882C1H471JA01D	K22174249		1-			
C 1820	CHIP CAP.	330pF	50V	CH	GRM1882C1H331JA01D	K22174253		1-			
C 1821	CHIP CAP.	200pF	50V	CH	GRM1882C1H201JA01D	K22174242		1-			
C 1822	CHIP CAP.	180pF	50V	CH	GRM1882C1H181JA01D	K22174241		1-			
C 1823	CHIP CAP.	56pF	50V	CH	GRM1882C1H560JA01D	K22174229		1-			
C 1824	CHIP CAP.	470pF	50V	CH	GRM1882C1H471JA01D	K22174249		1-			
C 1825	CHIP CAP.	270pF	50V	CH	GRM1882C1H271JA01D	K22174251		1-			
C 1826	CHIP CAP.	150pF	50V	CH	GRM1882C1H151JA01D	K22174239		1-			
C 1827	CHIP CAP.	100pF	50V	CH	GRM1882C1H101JA01D	K22174235		1-			
C 1828	CHIP CAP.	82pF	50V	CH	GRM1882C1H820JA01D	K22174233		1-			
C 1829	CHIP CAP.	56pF	50V	CH	GRM1882C1H560JA01D	K22174229		1-			
C 1830	CHIP CAP.	82pF	50V	CH	GRM1882C1H820JA01D	K22174233		1-			
C 1831	CHIP CAP.	0.047uF	16V	B	GRM39B473K16PT	K22124804		1-			
C 1831	CHIP CAP.	0.047uF	25V	B	GRM188B11E473KA01D	K22144811		27-			
C 1832	CHIP CAP.	0.047uF	16V	B	GRM39B473K16PT	K22124804		1-			
C 1832	CHIP CAP.	0.047uF	25V	B	GRM188B11E473KA01D	K22144811		27-			
C 1833	CHIP CAP.	0.047uF	16V	B	GRM39B473K16PT	K22124804		1-			
C 1833	CHIP CAP.	0.047uF	25V	B	GRM188B11E473KA01D	K22144811		27-			
C 1834	CHIP CAP.	0.047uF	16V	B	GRM39B473K16PT	K22124804		1-			
C 1834	CHIP CAP.	0.047uF	25V	B	GRM188B11E473KA01D	K22144811		27-			
C 1835	CHIP CAP.	0.022uF	25V	B	GRM39B223K25PT	K22144807		1-			
C 1835	CHIP CAP.	0.022uF	50V	B	GRM188B11H223KA01D	K22174839		27-			
C 1836	CHIP CAP.	0.01uF	50V	B	GRM188B11H103KA01D	K22174823		1-			
C 1837	CHIP CAP.	0.01uF	50V	B	GRM188B11H103KA01D	K22174823		1-			
C 1838	CHIP CAP.	0.01uF	50V	B	GRM188B11H103KA01D	K22174823		1-			
C 1839	CHIP CAP.	0.0022uF	50V	B	GRM188B11H222KA01D	K22174822		1-			
C 1840	CHIP CAP.	470pF	50V	CH	GRM1882C1H471JA01D	K22174249		1-			
C 1841	CHIP CAP.	330pF	50V	CH	GRM1882C1H331JA01D	K22174253		1-			
C 1842	CHIP CAP.	220pF	50V	CH	GRM1882C1H221JA01D	K22174243		1-			
C 1843	CHIP CAP.	820pF	25V	CH	GRM1882C1E821JA01D	K22144202		1-			
C 1844	CHIP CAP.	220pF	50V	CH	GRM1882C1H221JA01D	K22174243		1-			
C 1845	CHIP CAP.	150pF	50V	CH	GRM1882C1H151JA01D	K22174239		1-			
C 1846	CHIP CAP.	56pF	50V	CH	GRM1882C1H560JA01D	K22174229		1-			
C 1847	CHIP CAP.	560pF	25V	CH	GRM39CH561J25PT	K22144201		1-			
C 1847	CHIP CAP.	560pF	50V	CH	GRM1882C1H561JA01D	K22174273		27-			
C 1848	CHIP CAP.	270pF	50V	CH	GRM1882C1H271JA01D	K22174251		1-			
C 1849	CHIP CAP.	180pF	50V	CH	GRM1882C1H181JA01D	K22174241		1-			
C 1850	CHIP CAP.	150pF	50V	CH	GRM1882C1H151JA01D	K22174239		1-			
C 1851	CHIP CAP.	100pF	50V	CH	GRM1882C1H101JA01D	K22174235		1-			
C 1852	CHIP CAP.	39pF	50V	CH	GRM1882C1H390JA01D	K22174225		1-			
C 1853	CHIP CAP.	0.0012uF	50V	B	GRM188B11H122KA01D	K22174826		1-			
C 1854	CHIP CAP.	150pF	50V	CH	GRM1882C1H151JA01D	K22174239		1-			
C 1855	CHIP CAP.	820pF	25V	CH	GRM1882C1E821JA01D	K22144202		1-			
C 1856	CHIP CAP.	470pF	50V	CH	GRM1882C1H471JA01D	K22174249		1-			
C 1857	CHIP CAP.	330pF	50V	CH	GRM1882C1H331JA01D	K22174253		1-			
C 1858	CHIP CAP.	220pF	50V	CH	GRM1882C1H221JA01D	K22174243		1-			
C 1859	CHIP CAP.	150pF	50V	CH	GRM1882C1H151JA01D	K22174239		1-			
C 1860	CHIP CAP.	56pF	50V	CH	GRM1882C1H560JA01D	K22174229		1-			
C 1861	CHIP CAP.	0.047uF	16V	B	GRM39B473K16PT	K22124804		1-			
C 1861	CHIP CAP.	0.047uF	25V	B	GRM188B11E473KA01D	K22144811		27-			
C 1862	CHIP CAP.	0.047uF	16V	B	GRM39B473K16PT	K22124804		1-			

# BPF-2 Unit (D, MP Type, RXU-9000)

## Parts List

REF	DESCRIPTION	VALUE	V/W	TOL.	MFR'S DESIG	VXSTD P/N	VERS.	LOT	SIDE	LAY ADR
C 1862	CHIP CAP.	0.047uF	25V	B	GRM188B11E473KA01D	K22144811		27-		
C 1863	CHIP CAP.	0.047uF	16V	B	GRM39B473K16PT	K22124804		1-		
C 1863	CHIP CAP.	0.047uF	25V	B	GRM188B11E473KA01D	K22144811		27-		
C 1864	CHIP CAP.	0.047uF	16V	B	GRM39B473K16PT	K22124804		1-		
C 1864	CHIP CAP.	0.047uF	25V	B	GRM188B11E473KA01D	K22144811		27-		
C 1865	CHIP CAP.	0.022uF	25V	B	GRM39B223K25PT	K22144807		1-		
C 1865	CHIP CAP.	0.022uF	50V	B	GRM188B11H223KA01D	K22174839		27-		
C 1866	CHIP CAP.	0.01uF	50V	B	GRM188B11H103KA01D	K22174823		1-		
C 1867	CHIP CAP.	0.01uF	50V	B	GRM188B11H103KA01D	K22174823		1-		
C 1868	CHIP CAP.	0.01uF	50V	B	GRM188B11H103KA01D	K22174823		1-		
C 1869	CHIP CAP.	0.0022uF	50V	B	GRM188B11H222KA01D	K22174822		1-		
C 1870	CHIP CAP.	220pF	50V	CH	GRM1882C1H221JA01D	K22174243		1-		
C 1871	AL.ELECTRO.CAP.	10uF	35V		ECEV1VA100WR	K48160004		1		
C 1872	AL.ELECTRO.CAP.	10uF	35V		ECEV1VA100WR	K48160004		1		
C 1873	AL.ELECTRO.CAP.	10uF	35V		ECEV1VA100WR	K48160004		1		
C 1874	AL.ELECTRO.CAP.	10uF	35V		ECEV1VA100WR	K48160004		1		
C 1875	AL.ELECTRO.CAP.	10uF	35V		ECEV1VA100WR	K48160004		1		
C 1876	AL.ELECTRO.CAP.	10uF	35V		ECEV1VA100WR	K48160004		1		
C 1877	AL.ELECTRO.CAP.	10uF	35V		ECEV1VA100WR	K48160004		1		
C 1878	AL.ELECTRO.CAP.	10uF	35V		ECEV1VA100WR	K48160004		1		
C 1879	CHIP CAP.	0.01uF	50V	B	GRM188B11H103KA01D	K22174823		1-		
C 1880	CHIP CAP.	0.01uF	50V	B	GRM188B11H103KA01D	K22174823		1-		
C 1881	CHIP CAP.	0.01uF	50V	B	GRM188B11H103KA01D	K22174823		1-		
C 1882	CHIP CAP.	0.01uF	50V	B	GRM188B11H103KA01D	K22174823		1-		
C 1883	CHIP CAP.	0.01uF	50V	B	GRM188B11H103KA01D	K22174823		1-		
C 1884	CHIP CAP.	0.01uF	50V	B	GRM188B11H103KA01D	K22174823		1-		
C 1885	CHIP CAP.	0.01uF	50V	B	GRM188B11H103KA01D	K22174823		1-		
C 1886	CHIP CAP.	0.01uF	50V	B	GRM188B11H103KA01D	K22174823		1-		
C 1887	CHIP CAP.	0.1uF	16V	B	GRM188B11C104KA01D	K22124805		1-		
C 1888	CHIP CAP.	0.1uF	16V	B	GRM188B11C104KA01D	K22124805		1-		
C 1889	CHIP CAP.	0.1uF	16V	B	GRM188B11C104KA01D	K22124805		1-		
C 1890	CHIP CAP.	0.1uF	16V	B	GRM188B11C104KA01D	K22124805		1-		
C 1891	CHIP CAP.	0.1uF	16V	B	GRM188B11C104KA01D	K22124805		1-		
C 1892	CHIP CAP.	0.1uF	16V	B	GRM188B11C104KA01D	K22124805		1-		
C 1893	CHIP CAP.	0.1uF	16V	B	GRM188B11C104KA01D	K22124805		1-		
C 1894	CHIP CAP.	0.1uF	16V	B	GRM188B11C104KA01D	K22124805		1-		
C 1895	CHIP CAP.	0.1uF	16V	B	GRM188B11C104KA01D	K22124805		1-		
C 1896	CHIP CAP.	0.1uF	16V	B	GRM188B11C104KA01D	K22124805		1-		
C 1897	CHIP CAP.	0.1uF	16V	B	GRM188B11C104KA01D	K22124805		1-		
C 1898	CHIP CAP.	0.1uF	16V	B	GRM188B11C104KA01D	K22124805		1-		
C 1899	CHIP CAP.	0.1uF	16V	B	GRM188B11C104KA01D	K22124805		1-		
C 1900	CHIP CAP.	0.1uF	16V	B	GRM188B11C104KA01D	K22124805		1-		
C 1901	CHIP CAP.	0.1uF	16V	B	GRM188B11C104KA01D	K22124805		1-		
C 1902	CHIP CAP.	0.1uF	16V	B	GRM188B11C104KA01D	K22124805		1-		
C 1903	CHIP CAP.	0.01uF	50V	B	GRM188B11H103KA01D	K22174823		1-		
C 1904	CHIP CAP.	0.01uF	50V	B	GRM188B11H103KA01D	K22174823		1-		
C 1905	CHIP CAP.	0.01uF	50V	B	GRM188B11H103KA01D	K22174823		1-		
C 1906	CHIP CAP.	0.01uF	50V	B	GRM188B11H103KA01D	K22174823		1-		
C 1907	CHIP CAP.	0.01uF	50V	B	GRM188B11H103KA01D	K22174823		1-		
C 1908	CHIP CAP.	0.01uF	50V	B	GRM188B11H103KA01D	K22174823		1-		
C 1909	CHIP CAP.	0.01uF	50V	B	GRM188B11H103KA01D	K22174823		1-		
C 1910	CHIP CAP.	0.01uF	50V	B	GRM188B11H103KA01D	K22174823		1-		
C 1911	AL.ELECTRO.CAP.	10uF	35V		ECEV1VA100WR	K48160004		2-		
C 1911	AL.ELECTRO.CAP.	10uF	35V		EEE1VA100WR	K48160006		9-		
C 1912	AL.ELECTRO.CAP.	10uF	35V		ECEV1VA100WR	K48160004		2-		
C 1912	AL.ELECTRO.CAP.	10uF	35V		EEE1VA100WR	K48160006		9-		
C 1913	AL.ELECTRO.CAP.	10uF	35V		ECEV1VA100WR	K48160004		2-		
C 1913	AL.ELECTRO.CAP.	10uF	35V		EEE1VA100WR	K48160006		9-		
C 1914	AL.ELECTRO.CAP.	10uF	35V		ECEV1VA100WR	K48160004		2-		
C 1914	AL.ELECTRO.CAP.	10uF	35V		EEE1VA100WR	K48160006		9-		
C 1915	AL.ELECTRO.CAP.	10uF	35V		ECEV1VA100WR	K48160004		2-		
C 1915	AL.ELECTRO.CAP.	10uF	35V		EEE1VA100WR	K48160006		9-		
C 1916	AL.ELECTRO.CAP.	10uF	35V		ECEV1VA100WR	K48160004		2-		
C 1916	AL.ELECTRO.CAP.	10uF	35V		EEE1VA100WR	K48160006		9-		
C 1917	AL.ELECTRO.CAP.	10uF	35V		ECEV1VA100WR	K48160004		2-		
C 1917	AL.ELECTRO.CAP.	10uF	35V		EEE1VA100WR	K48160006		9-		
C 1918	AL.ELECTRO.CAP.	10uF	35V		ECEV1VA100WR	K48160004		2-		
C 1918	AL.ELECTRO.CAP.	10uF	35V		EEE1VA100WR	K48160006		9-		
D 1817	DIODE				BAS316	G2070716		1-		
D 1818	DIODE				BAS316	G2070716		1-		
D 1819	DIODE				BAS316	G2070716		1-		
D 1820	DIODE				BAS316	G2070716		1-		
D 1821	DIODE				BAS316	G2070716		1-		

# BPF-2 Unit (D, MP Type, RXU-9000)

## Parts List

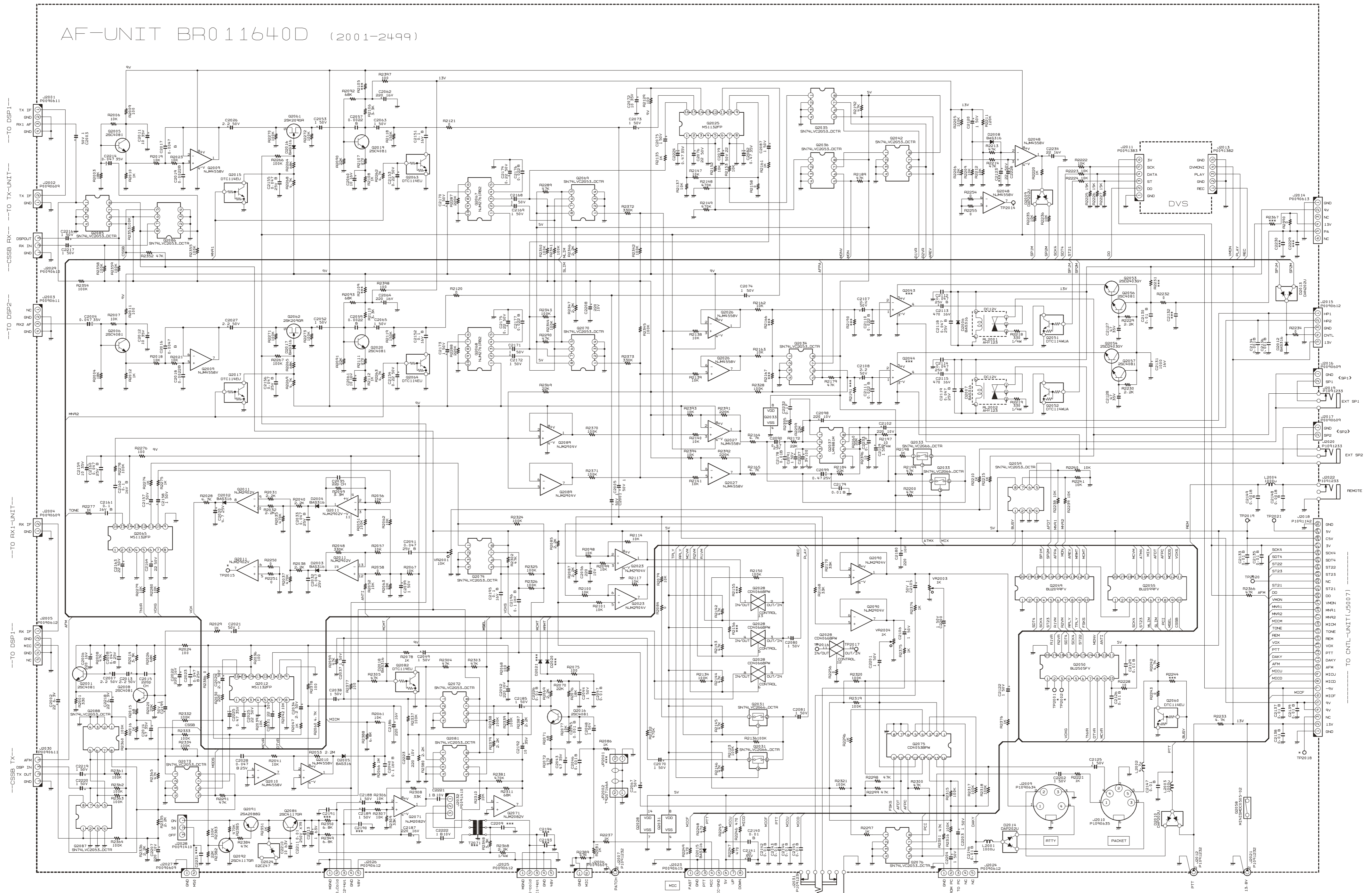
REF	DESCRIPTION	VALUE	V/W	TOL.	MFR'S DESIG	VXSTD P/N	VERS.	LOT	SIDE	LAY ADR
D 1822	DIODE				BAS316	G2070716		1-		
D 1823	DIODE				BAS316	G2070716		1-		
D 1824	DIODE				BAS316	G2070716		1-		
J 1801	CONNECTOR				IMSA-9133S-05D	P1090908		1-		
J 1802	CONNECTOR				IMSA-9133S-15D	P1091214		1-		
L 1801	M.RFC	3.3uH			LAV35VB3R3K	L1790225		1-		
L 1802	M.RFC	1.8uH			LAV35VB1R8K	L1790222		1-		
L 1803	M.RFC	1uH			LAV35VB1R0K	L1790219		1-		
L 1804	M.RFC	0.68uH			LAV35VBR68M	L1790217		1-		
L 1805	M.RFC	0.56uH			LAV35VBR56M	L1790216		1-		
L 1806	M.RFC	0.39uH			LAV35VBR39M	L1790214		1-		
L 1807	M.RFC	0.39uH			LAV35VBR39M	L1790214		1-		
L 1808	M.RFC	5.6uH			LAV35VB5R6K	L1790228		1-		
L 1809	M.RFC	2.7uH			LAV35VB2R7K	L1790224		1-		
L 1810	M.RFC	1.8uH			LAV35VB1R8K	L1790222		1-		
L 1811	M.RFC	1.2uH			LAV35VB1R2K	L1790220		1-		
L 1812	M.RFC	0.82uH			LAV35VBR82M	L1790218		1-		
L 1813	M.RFC	0.56uH			LAV35VBR56M	L1790216		1-		
L 1814	M.RFC	0.47uH			LAV35VBR47M	L1790215		1-		
L 1815	COIL A1				5.5T5.0D0.6UEW R	L0021832A		1-		
L 1816	M.RFC	3.3uH			LAV35VB3R3K	L1790225		1-		
L 1817	M.RFC	1.8uH			LAV35VB1R8K	L1790222		1-		
L 1818	M.RFC	1uH			LAV35VB1R0K	L1790219		1-		
L 1819	M.RFC	0.68uH			LAV35VBR68M	L1790217		1-		
L 1820	M.RFC	0.56uH			LAV35VBR56M	L1790216		1-		
L 1821	M.RFC	0.39uH			LAV35VBR39M	L1790214		1-		
L 1822	M.RFC	0.39uH			LAV35VBR39M	L1790214		1-		
L 1823	M.RFC	15uH			LAV35VB150K	L1790233		1-		
L 1824	M.RFC	5.6uH			LAV35VB5R6K	L1790228		1-		
L 1825	M.RFC	3.3uH			LAV35VB3R3K	L1790225		1-		
L 1826	M.RFC	2.2uH			LAV35VB2R2K	L1790223		1-		
L 1827	M.RFC	1.8uH			LAV35VB1R8K	L1790222		1-		
L 1828	M.RFC	1.8uH			LAV35VB1R8K	L1790222		1-		
L 1829	M.RFC	1uH			LAV35VB1R0K	L1790219		1-		
L 1830	M.RFC	0.47uH			LAV35VBR47M	L1790215		1-		
L 1831	M.RFC	3.3uH			LAV35VB3R3K	L1790225		1-		
L 1832	M.RFC	1.5uH			LAV35VB1R5K	L1790221		1-		
L 1833	M.RFC	0.82uH			LAV35VBR82M	L1790218		1-		
L 1834	M.RFC	0.56uH			LAV35VBR56M	L1790216		1-		
L 1835	M.RFC	0.47uH			LAV35VBR47M	L1790215		1-		
L 1836	M.RFC	0.39uH			LAV35VBR39M	L1790214		1-		
L 1837	M.RFC	0.27uH			LAV35VBR27M	L1790212		1-		
L 1838	COIL A1				4.5T5.0D0.6UEW R	L0021831A		1-		
L 1839	M.RFC	3.3uH			LAV35VB3R3K	L1790225		1-		
L 1840	M.RFC	1.5uH			LAV35VB1R5K	L1790221		1-		
L 1841	M.RFC	0.82uH			LAV35VBR82M	L1790218		1-		
L 1842	M.RFC	0.56uH			LAV35VBR56M	L1790216		1-		
L 1843	M.RFC	0.47uH			LAV35VBR47M	L1790215		1-		
L 1844	M.RFC	0.39uH			LAV35VBR39M	L1790214		1-		
L 1845	M.RFC	0.27uH			LAV35VBR27M	L1790212		1-		
L 1846	COIL A1				4.5T5.0D0.6UEW R	L0021831A		1-		
L 1847	M.RFC	15uH			LAV35VB150K	L1790233		1-		
L 1848	M.RFC	5.6uH			LAV35VB5R6K	L1790228		1-		
L 1849	M.RFC	3.3uH			LAV35VB3R3K	L1790225		1-		
L 1850	M.RFC	2.2uH			LAV35VB2R2K	L1790223		1-		
L 1851	M.RFC	1.8uH			LAV35VB1R8K	L1790222		1-		
L 1852	M.RFC	1.8uH			LAV35VB1R8K	L1790222		1-		
L 1853	M.RFC	1uH			LAV35VB1R0K	L1790219		1-		
L 1854	M.RFC	0.47uH			LAV35VBR47M	L1790215		1-		
R 1801	CARBON FILM RES.	68	1/6W	5%	RD16TPJ680 68	J07225680		1		
R 1801	CHIPRES.	68	1/4W	5%	RMC1/4 680JATP	J24245680		2-		
R 1802	CARBON FILM RES.	68	1/6W	5%	RD16TPJ680 68	J07225680		1		
R 1802	CHIPRES.	68	1/4W	5%	RMC1/4 680JATP	J24245680		2-		
R 1803	CARBON FILM RES.	68	1/6W	5%	RD16TPJ680 68	J07225680		1		
R 1803	CHIPRES.	68	1/4W	5%	RMC1/4 680JATP	J24245680		2-		
R 1804	CARBON FILM RES.	68	1/6W	5%	RD16TPJ680 68	J07225680		1		
R 1804	CHIPRES.	68	1/4W	5%	RMC1/4 680JATP	J24245680		2-		
R 1805	CARBON FILM RES.	68	1/6W	5%	RD16TPJ680 68	J07225680		1		
R 1805	CHIPRES.	68	1/4W	5%	RMC1/4 680JATP	J24245680		2-		
R 1806	CARBON FILM RES.	68	1/6W	5%	RD16TPJ680 68	J07225680		1		
R 1806	CHIPRES.	68	1/4W	5%	RMC1/4 680JATP	J24245680		2-		
R 1807	CARBON FILM RES.	68	1/6W	5%	RD16TPJ680 68	J07225680		1		
R 1807	CHIPRES.	68	1/4W	5%	RMC1/4 680JATP	J24245680		2-		

# BPF-2 Unit (D, MP Type, RXU-9000)

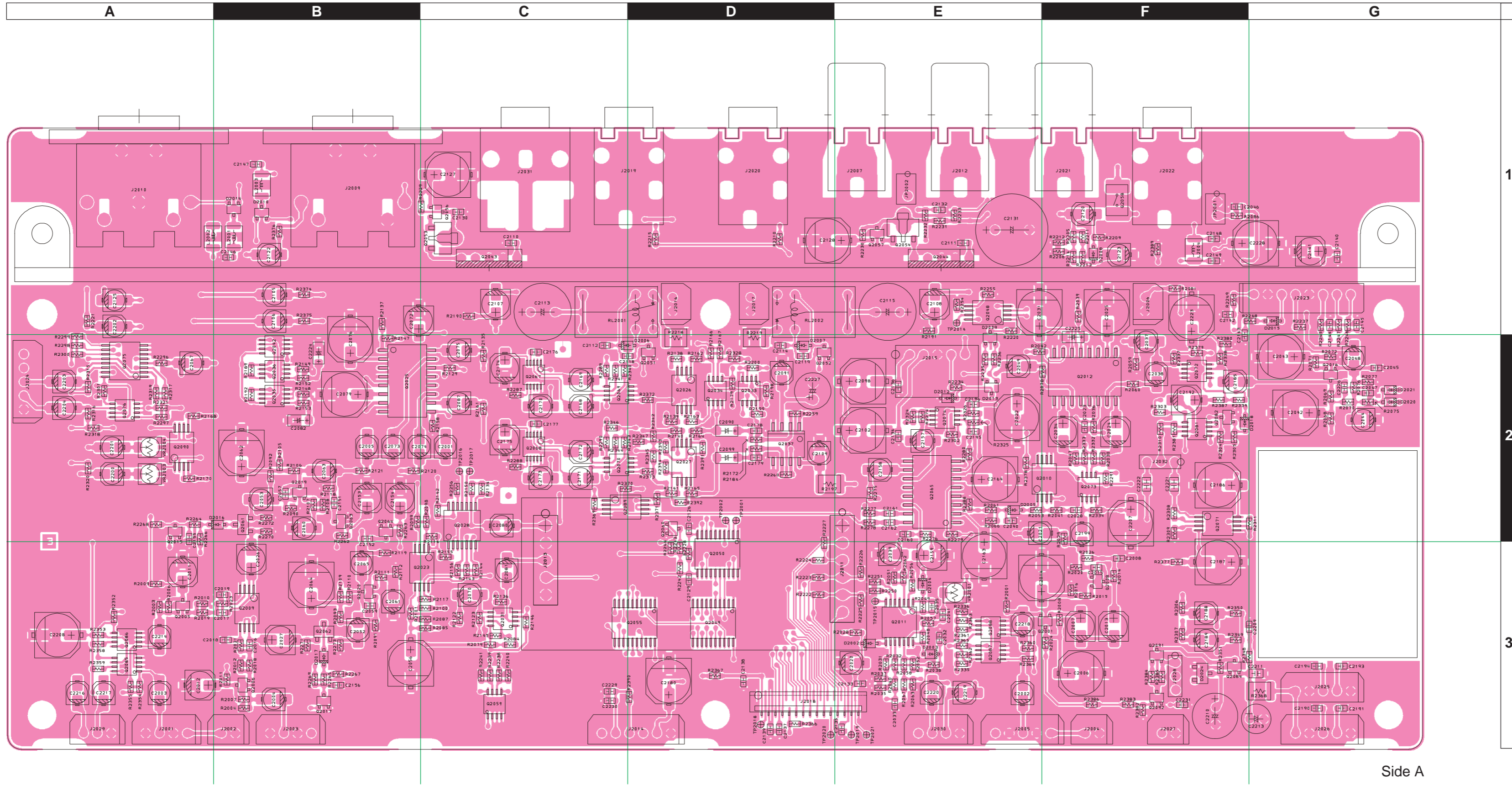
## Parts List

REF	DESCRIPTION	VALUE	V/W	TOL.	MFR'S DESIG	VXSTD P/N	VERS.	LOT	SIDE	LAY ADR
R 1808	CARBON FILM RES.	68	1/6W	5%	RD16TPJ680 68	J07225680		1		
R 1808	CHIPRES.	68	1/4W	5%	RMC1/4 680JATP	J24245680		2-		
R 1809	CHIPRES.	68	1/4W	5%	RMC1/4 680JATP	J24245680		1-		
R 1810	CHIPRES.	68	1/4W	5%	RMC1/4 680JATP	J24245680		1-		
R 1811	CHIPRES.	68	1/4W	5%	RMC1/4 680JATP	J24245680		1-		
R 1812	CHIPRES.	68	1/4W	5%	RMC1/4 680JATP	J24245680		1-		
R 1813	CHIPRES.	68	1/4W	5%	RMC1/4 680JATP	J24245680		1-		
R 1814	CHIPRES.	68	1/4W	5%	RMC1/4 680JATP	J24245680		1-		
R 1815	CHIPRES.	68	1/4W	5%	RMC1/4 680JATP	J24245680		1-		
R 1816	CHIPRES.	68	1/4W	5%	RMC1/4 680JATP	J24245680		1-		
R 1817	CHIPRES.	100	1/16W	5%	RMC1/16 101JATP	J24185101		1-		
R 1818	CHIPRES.	100	1/16W	5%	RMC1/16 101JATP	J24185101		1-		
R 1819	CHIPRES.	100	1/16W	5%	RMC1/16 101JATP	J24185101		1-		
R 1820	CHIPRES.	100	1/16W	5%	RMC1/16 101JATP	J24185101		1-		
R 1821	CHIPRES.	100	1/16W	5%	RMC1/16 101JATP	J24185101		1-		
R 1822	CHIPRES.	100	1/16W	5%	RMC1/16 101JATP	J24185101		1-		
R 1823	CHIPRES.	100	1/16W	5%	RMC1/16 101JATP	J24185101		1-		
R 1824	CHIPRES.	100	1/16W	5%	RMC1/16 101JATP	J24185101		1-		
RL1801	RELAY		DC12V		G6K-2F-Y-TR DC12V	M1190183		1-		
RL1802	RELAY		DC12V		G6K-2F-Y-TR DC12V	M1190183		1-		
RL1803	RELAY		DC12V		G6K-2F-Y-TR DC12V	M1190183		1-		
RL1804	RELAY		DC12V		G6K-2F-Y-TR DC12V	M1190183		1-		
RL1805	RELAY		DC12V		G6K-2F-Y-TR DC12V	M1190183		1-		
RL1806	RELAY		DC12V		G6K-2F-Y-TR DC12V	M1190183		1-		
RL1807	RELAY		DC12V		G6K-2F-Y-TR DC12V	M1190183		1-		
RL1808	RELAY		DC12V		G6K-2F-Y-TR DC12V	M1190183		1-		
RL1809	RELAY		DC12V		G6K-2F-Y-TR DC12V	M1190183		1-		
RL1810	RELAY		DC12V		G6K-2F-Y-TR DC12V	M1190183		1-		
RL1811	RELAY		DC12V		G6K-2F-Y-TR DC12V	M1190183		1-		
RL1812	RELAY		DC12V		G6K-2F-Y-TR DC12V	M1190183		1-		
RL1813	RELAY		DC12V		G6K-2F-Y-TR DC12V	M1190183		1-		
RL1814	RELAY		DC12V		G6K-2F-Y-TR DC12V	M1190183		1-		
RL1815	RELAY		DC12V		G6K-2F-Y-TR DC12V	M1190183		1-		
RL1816	RELAY		DC12V		G6K-2F-Y-TR DC12V	M1190183		1-		

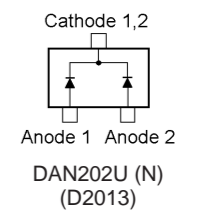
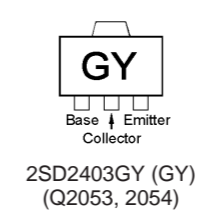
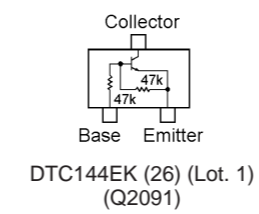
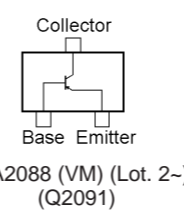
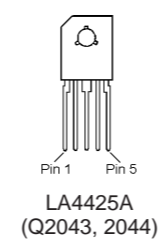
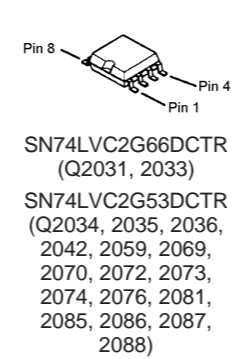
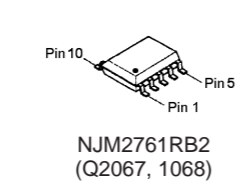
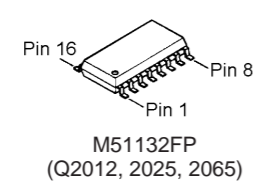
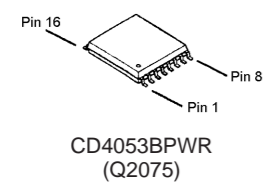
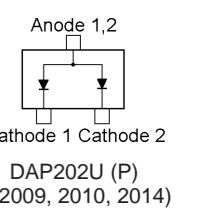
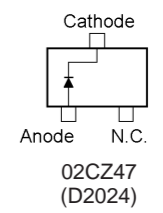
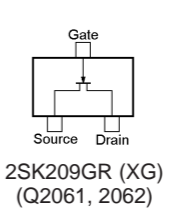
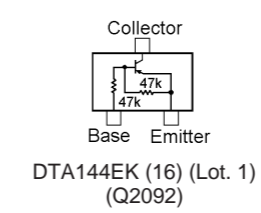
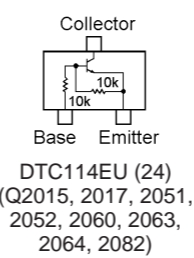
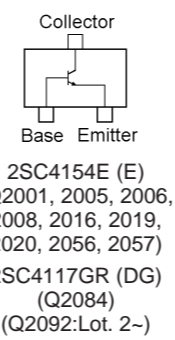
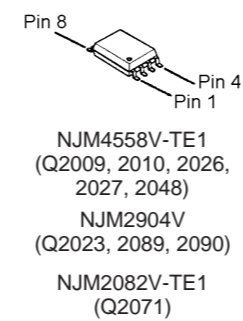
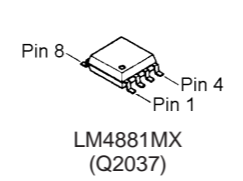
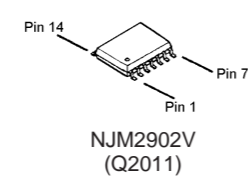
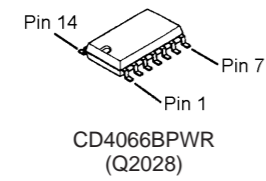
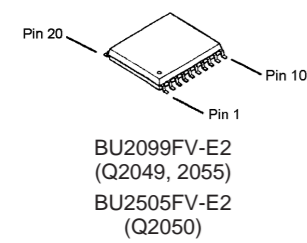
# AF-UNIT BR0 11640D (2001-2499)



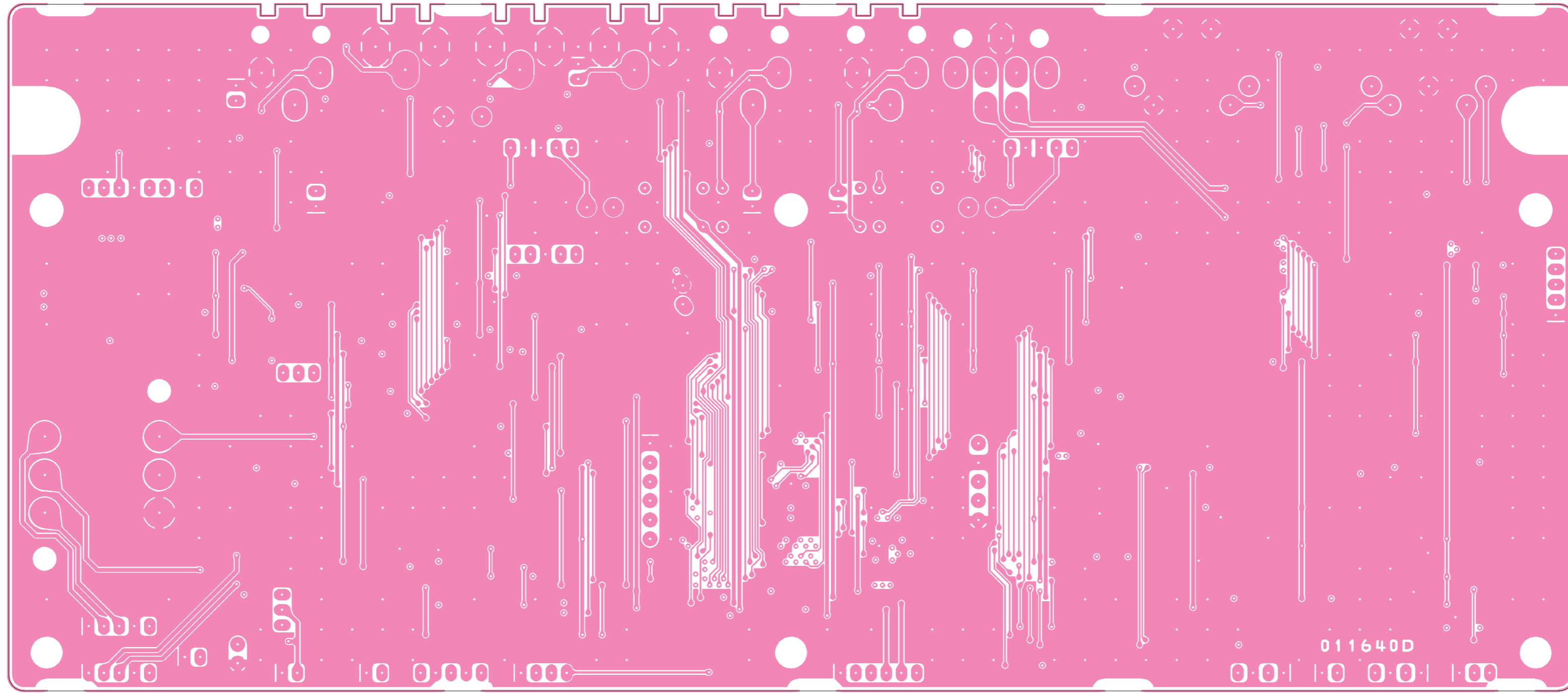




Side A

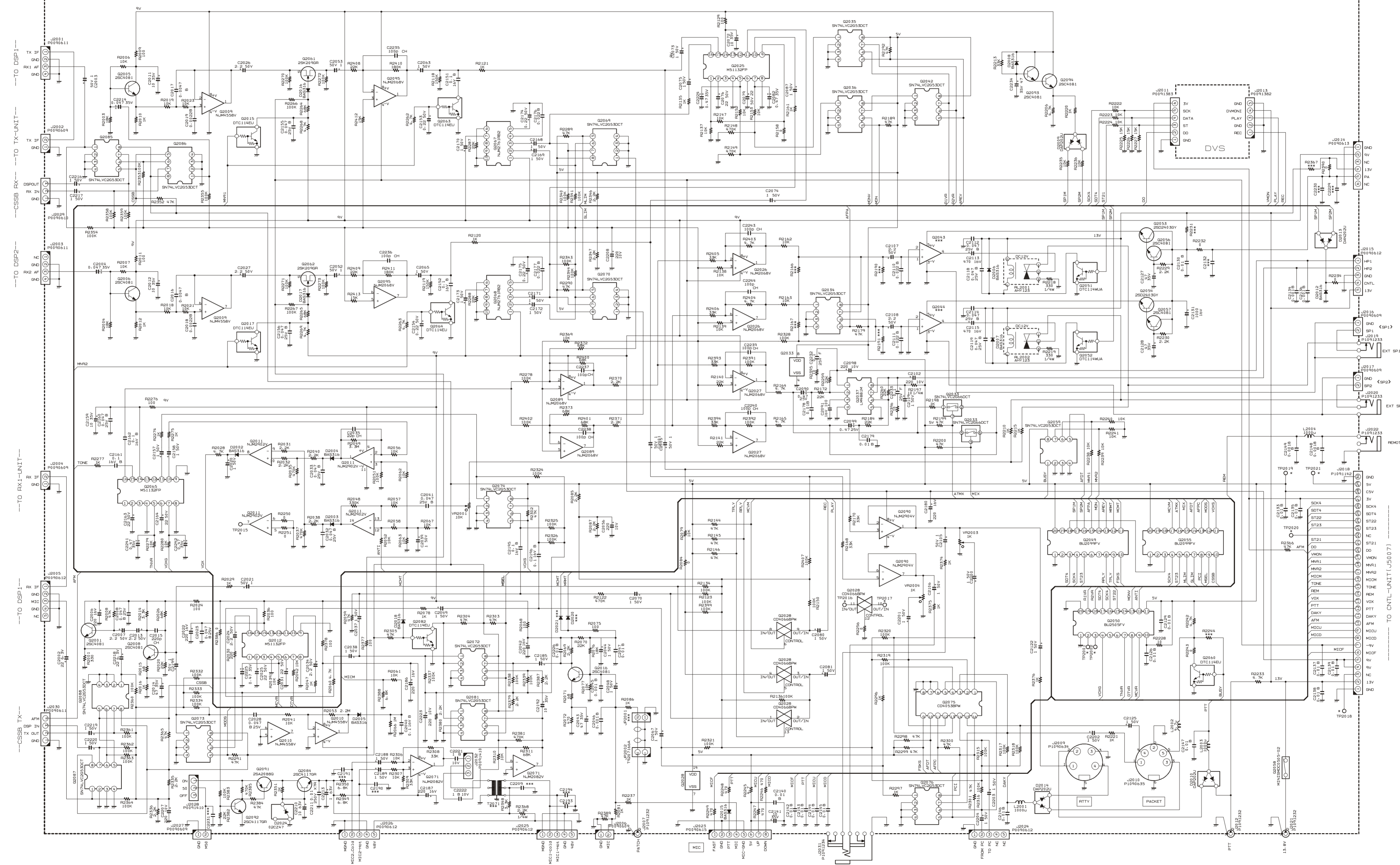




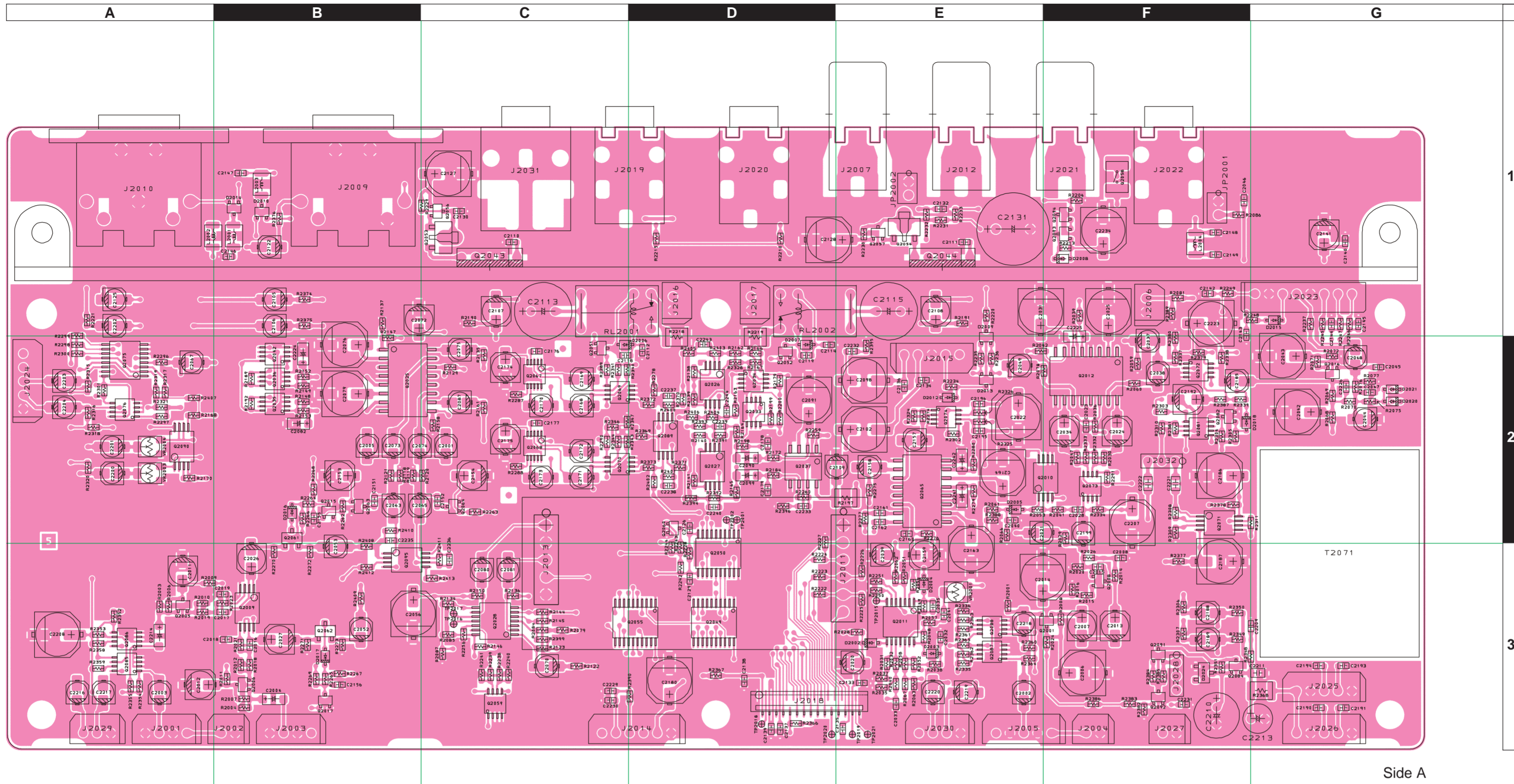


Side B

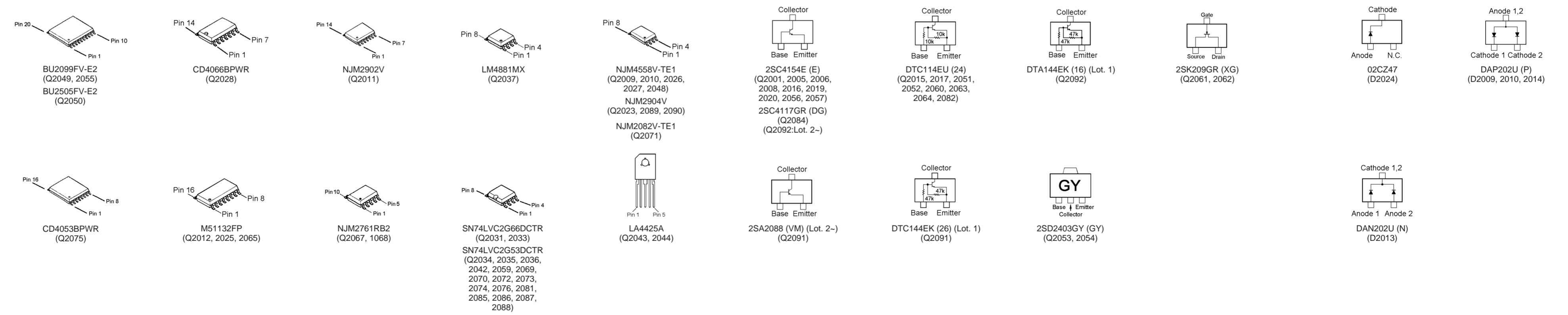
# AF-UNIT BR011640F (2001-2499)

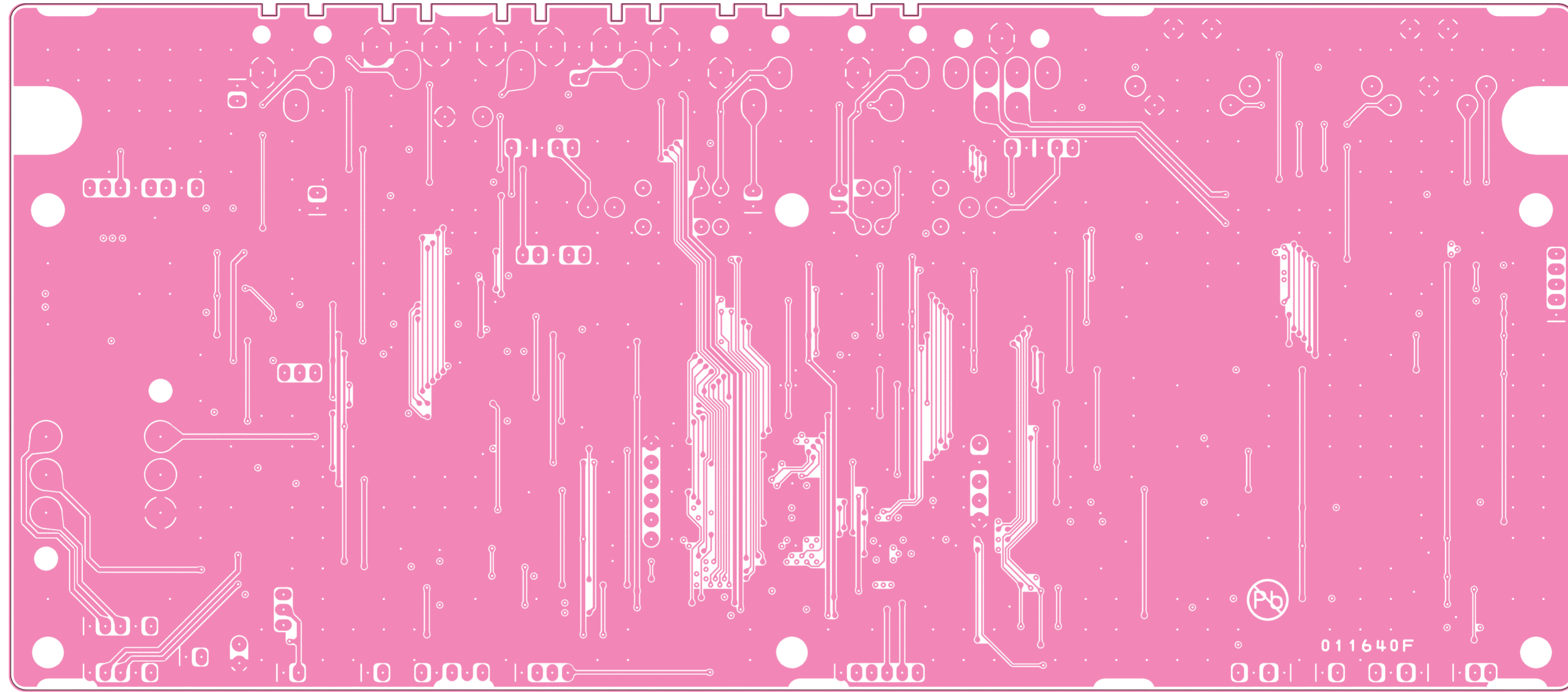






Side A





Side B

REF	DESCRIPTION	VALUE	V/W	TOL.	MFR'S DESIG	YAESU P/N	VERS.	LOT	SIDE	LAY	ADR
PCB with Components						CB2740001	DRX:ON	1-15			
						CB2740002	DRX:OFF	1-15			
						CB2740223	DRX:ON,CE:OFF	16-			
						CB2740224	DRX:ON,CE:ON	16-			
						CB2740225	DRX:OFF,CE:OFF	16-			
						CB2740226	DRX:OFF,CE:ON	16-			
C 2001	AL.ELECTRO.CAP.	1uF	50V		ECEV1HS010SR	K48170001		1-	A		C2
C 2001	AL.ELECTRO.CAP.	1uF	50V		EEE1HS010SR	K48170021		9-	A		C2
C 2002	AL.ELECTRO.CAP.	22uF	6.3V		ECEV0JS220WR	K48080007		1-	A		E3
C 2002	AL.ELECTRO.CAP.	22uF	6.3V		EEEEJS220WR	K48080013		13-	A		E3
C 2003	AL.ELECTRO.CAP.	1uF	50V		ECEV1HS010SR	K48170001		1-	A		A3
C 2003	AL.ELECTRO.CAP.	1uF	50V		EEE1HS010SR	K48170021		9-	A		A3
C 2004	AL.ELECTRO.CAP.	1uF	50V		ECEV1HS010SR	K48170001		1-	A		B3
C 2004	AL.ELECTRO.CAP.	1uF	50V		EEE1HS010SR	K48170021		9-	A		B3
C 2004	CHIP TA.CAP.	0.047uF	35V		TEESVA1V473M8R	K78160023		47-	A		B3
C 2005	AL.ELECTRO.CAP.	1uF	50V		ECEV1HS010SR	K48170001		1-	A		B2
C 2005	AL.ELECTRO.CAP.	1uF	50V		EEE1HS010SR	K48170021		9-	A		B2
C 2006	AL.ELECTRO.CAP.	220uF	16V		EMVA160ADA221MF80G	K48120021		1-	A		F3
C 2007	AL.ELECTRO.CAP.	2.2uF	50V		ECEV1HA2R2SR	K48170014		1-	A		F3
C 2007	AL.ELECTRO.CAP.	2.2uF	50V		EEE1HA2R2SR	K48170024		10-	A		F3
C 2008	CHIP CAP.	0.047uF	16V	B	GRM39B473K16PT	K22124804		1-	A		F3
C 2008	CHIP CAP.	0.047uF	25V	B	GRM188B11E473KA01D	K22144811		27-	A		F3
C 2011	AL.ELECTRO.CAP.	10uF	35V		ECEV1VA100WR	K48160004		1-	A		A3
C 2011	AL.ELECTRO.CAP.	10uF	35V		EEE1VA100WR	K48160006		9-	A		A3
C 2012	AL.ELECTRO.CAP.	10uF	35V		ECEV1VA100WR	K48160004		1-	A		A3
C 2012	AL.ELECTRO.CAP.	10uF	35V		EEE1VA100WR	K48160006		9-	A		A3
C 2013	AL.ELECTRO.CAP.	2.2uF	50V		ECEV1HA2R2SR	K48170014		1-	A		F3
C 2013	AL.ELECTRO.CAP.	2.2uF	50V		EEE1HA2R2SR	K48170024		10-	A		F3
C 2014	AL.ELECTRO.CAP.	47uF	35V		ECEV1VA470WP	K48160003		1-15	A		E3
C 2014	AL.ELECTRO.CAP.	47uF	35V		EEE1VA470WP	K48160005	CE Type	16-22	A		E3
C 2014	AL.ELECTRO.CAP.	47uF	35V		ECEV1VA470WP	K48160003		16-22	A		E3
C 2014	AL.ELECTRO.CAP.	47uF	35V		EEE1VA470WP	K48160005		23-	A		E3
C 2015	CHIP CAP.	220pF	50V	CH	GRM188C1H221JA01D	K22174243		1-	A		F3
C 2016	CHIP CAP.	0.0047uF	50V	B	GRM188B11H472KA01D	K22174833		1-	A		B3
C 2017	CHIP CAP.	0.0047uF	50V	B	GRM188B11H472KA01D	K22174833		1-	A		B3
C 2018	CHIP CAP.	0.0022uF	50V	B	GRM188B11H222KA01D	K22174822		1-	A		B3
C 2019	CHIP CAP.	0.0022uF	50V	B	GRM188B11H222KA01D	K22174822		1-	A		B3
C 2020	AL.ELECTRO.CAP.	4.7uF	25V		ECEV1ES4R7SR	K48140001		1-	A		E3
C 2020	AL.ELECTRO.CAP.	4.7uF	25V		EEE1ES4R7SR	K48140017		13-	A		E3
C 2020	AL.ELECTRO.CAP.	1uF	50V		EEE1HS010SR	K48170021		43-	A		E3
C 2021	AL.ELECTRO.CAP.	1uF	50V		ECEV1HS010SR	K48170001		1-	A		E2
C 2021	AL.ELECTRO.CAP.	1uF	50V		EEE1HS010SR	K48170021		9-	A		E2
C 2022	AL.ELECTRO.CAP.	220uF	16V		EMVA160ADA221MF80G	K48120021		1-	A		E2
C 2023	CHIP CAP.	0.047uF	16V	B	GRM39B473K16PT	K22124804		1-	A		F2
C 2023	CHIP CAP.	0.047uF	25V	B	GRM188B11E473KA01D	K22144811		27-	A		F2
C 2024	AL.ELECTRO.CAP.	2.2uF	50V		ECEV1HA2R2SR	K48170014		1-	A		F2
C 2024	AL.ELECTRO.CAP.	2.2uF	50V		EEE1HA2R2SR	K48170024		10-	A		F2
C 2025	AL.ELECTRO.CAP.	22uF	50V		ECEV1HA220WP	K48170018		1-	A		F1
C 2025	AL.ELECTRO.CAP.	22uF	50V		EEE1HA220WP	K48170026		9-	A		F1
C 2026	AL.ELECTRO.CAP.	2.2uF	50V		ECEV1HA2R2SR	K48170014		1-	A		B3
C 2026	AL.ELECTRO.CAP.	2.2uF	50V		EEE1HA2R2SR	K48170024		10-	A		B3
C 2027	AL.ELECTRO.CAP.	2.2uF	50V		ECEV1HA2R2SR	K48170014		1-	A		B3
C 2027	AL.ELECTRO.CAP.	2.2uF	50V		EEE1HA2R2SR	K48170024		10-	A		B3
C 2028	CHIP CAP.	0.047uF	16V	B	GRM39B473K16PT	K22124804		1-	A		F2
C 2028	CHIP CAP.	0.047uF	25V	B	GRM188B11E473KA01D	K22144811		27-	A		F2
C 2031	AL.ELECTRO.CAP.	22uF	50V		ECEV1HA220WP	K48170018		1-	A		E1
C 2031	AL.ELECTRO.CAP.	22uF	50V		EEE1HA220WP	K48170026		9-	A		E1
C 2032	CHIP CAP.	0.047uF	16V	B	GRM39B473K16PT	K22124804		1-	A		E3
C 2032	CHIP CAP.	0.047uF	25V	B	GRM188B11E473KA01D	K22144811		27-	A		E3
C 2033	CHIP CAP.	0.047uF	16V	B	GRM39B473K16PT	K22124804		1-	A		E3
C 2033	CHIP CAP.	0.047uF	25V	B	GRM188B11E473KA01D	K22144811		27-	A		E3
C 2034	AL.ELECTRO.CAP.	2.2uF	50V		ECEV1HA2R2SR	K48170014		1-	A		F2
C 2034	AL.ELECTRO.CAP.	2.2uF	50V		EEE1HA2R2SR	K48170024		10-	A		F2
C 2035	CHIP CAP.	22pF	50V	CH	GRM188C1H220JA01D	K22174219		1-	A		E3
C 2037	AL.ELECTRO.CAP.	1uF	50V		ECEV1HS010SR	K48170001		1-	A		F2
C 2037	AL.ELECTRO.CAP.	1uF	50V		EEE1HS010SR	K48170021		9-	A		F2
C 2038	AL.ELECTRO.CAP.	1uF	50V		ECEV1HS010SR	K48170001		1-	A		F2
C 2038	AL.ELECTRO.CAP.	1uF	50V		EEE1HS010SR	K48170021		9-	A		F2
C 2039	AL.ELECTRO.CAP.	1uF	50V		ECEV1HS010SR	K48170001		1-	A		E3
C 2039	AL.ELECTRO.CAP.	1uF	50V		EEE1HS010SR	K48170021		9-	A		E3
C 2040	CHIP CAP.	0.1uF	16V	B	GRM188B11C104KA01D	K22124805		1-	A		E2
C 2041	CHIP CAP.	0.047uF	16V	B	GRM39B473K16PT	K22124804		1-	A		E3
C 2041	CHIP CAP.	0.047uF	25V	B	GRM188B11E473KA01D	K22144811		27-	A		E3

# AF Unit

## Parts List

REF	DESCRIPTION	VALUE	V/W	TOL.	MFR'S DESIG	YAESU P/N	VERS.	LOT	SIDE	LAY ADR
C 2042	AL.ELECTRO.CAP.	220uF	16V		EMVA160ADA221MF80G	K48120021		1-	A	G2
C 2043	AL.ELECTRO.CAP.	47uF	35V		ECEV1VA470WP	K48160003	CE Type	1-15	A	G2
C 2043	AL.ELECTRO.CAP.	47uF	35V		EEE1VA470WP	K48160005		16-22	A	G2
C 2043	AL.ELECTRO.CAP.	47uF	35V		ECEV1VA470WP	K48160003		16-22	A	G2
C 2043	AL.ELECTRO.CAP.	47uF	35V		EEE1VA470WP	K48160005		23-	A	G2
C 2044	AL.ELECTRO.CAP.	1uF	50V		ECEV1HS010SR	K48170001		1-	A	G2
C 2044	AL.ELECTRO.CAP.	1uF	50V		EEE1HS010SR	K48170021		9-	A	G2
C 2045	CHIP CAP.	0.001uF	50V	B	GRM188B11H102KA01D	K22174821		1-	A	G2
C 2046	CHIP CAP.	0.001uF	50V	B	GRM188B11H102KA01D	K22174821		1-	A	F1
C 2047	CHIP CAP.	0.01uF	50V	B	GRM188B11H103KA01D	K22174823		1-	A	G2
C 2048	AL.ELECTRO.CAP.	1uF	50V		ECEV1HS010SR	K48170001		1-	A	G2
C 2048	AL.ELECTRO.CAP.	1uF	50V		EEE1HS010SR	K48170021	9-	A	G2	
C 2049	AL.ELECTRO.CAP.	1uF	50V		ECEV1HS010SR	K48170001	1-	A	E2	
C 2049	AL.ELECTRO.CAP.	1uF	50V		EEE1HS010SR	K48170021	9-	A	E2	
C 2052	AL.ELECTRO.CAP.	1uF	50V		ECEV1HS010SR	K48170001	1-	A	B3	
C 2052	AL.ELECTRO.CAP.	1uF	50V		EEE1HS010SR	K48170021	9-	A	B3	
C 2053	AL.ELECTRO.CAP.	1uF	50V		ECEV1HS010SR	K48170001	1-	A	B3	
C 2053	AL.ELECTRO.CAP.	1uF	50V		EEE1HS010SR	K48170021	9-	A	B3	
C 2056	AL.ELECTRO.CAP.	220uF	10V		RV3-10V221MF80-R	K48100002	1-	A	B3	
C 2057	CHIP CAP.	0.0022uF	50V	B	GRM188B11H222KA01D	K22174822	1-46			
C 2059	CHIP CAP.	0.0022uF	50V	B	GRM188B11H222KA01D	K22174822	1-46			
C 2060	AL.ELECTRO.CAP.	10uF	16V		ECEV1CS100SR	K48120001	1-			
C 2060	AL.ELECTRO.CAP.	10uF	16V		EEE1CS100SR	K48120023	8-46			
C 2061	AL.ELECTRO.CAP.	10uF	16V		ECEV1CS100SR	K48120001	1-			
C 2061	AL.ELECTRO.CAP.	10uF	16V		EEE1CS100SR	K48120023	8-46			
C 2062	AL.ELECTRO.CAP.	220uF	16V		EMVA160ADA221MF80G	K48120021	1-46			
C 2063	AL.ELECTRO.CAP.	1uF	50V		ECEV1HS010SR	K48170001	1-	A	B2	
C 2063	AL.ELECTRO.CAP.	1uF	50V		EEE1HS010SR	K48170021	9-	A	B2	
C 2064	AL.ELECTRO.CAP.	220uF	16V		EMVA160ADA221MF80G	K48120021	1-46			
C 2065	AL.ELECTRO.CAP.	1uF	50V		ECEV1HS010SR	K48170001	1-	A	B2	
C 2065	AL.ELECTRO.CAP.	1uF	50V		EEE1HS010SR	K48170021	9-	A	B2	
C 2067	AL.ELECTRO.CAP.	1uF	50V		ECEV1HS010SR	K48170001	1-	A	A2	
C 2067	AL.ELECTRO.CAP.	1uF	50V		EEE1HS010SR	K48170021	9-	A	A2	
C 2070	AL.ELECTRO.CAP.	1uF	50V		ECEV1HS010SR	K48170001	1-	A	C3	
C 2070	AL.ELECTRO.CAP.	1uF	50V		EEE1HS010SR	K48170021	9-	A	C3	
C 2072	AL.ELECTRO.CAP.	10uF	35V		ECEV1VA100WR	K48160004	1-	A	B1	
C 2072	AL.ELECTRO.CAP.	10uF	35V		EEE1VA100WR	K48160006	9-	A	B1	
C 2073	AL.ELECTRO.CAP.	1uF	50V		ECEV1HS010SR	K48170001	1-	A	B2	
C 2073	AL.ELECTRO.CAP.	1uF	50V		EEE1HS010SR	K48170021	9-	A	B2	
C 2074	AL.ELECTRO.CAP.	1uF	50V		ECEV1HS010SR	K48170001	1-	A	B2	
C 2074	AL.ELECTRO.CAP.	1uF	50V		EEE1HS010SR	K48170021	9-	A	B2	
C 2075	AL.ELECTRO.CAP.	1uF	50V		ECEV1HS010SR	K48170001	1-	A	C2	
C 2075	AL.ELECTRO.CAP.	1uF	50V		EEE1HS010SR	K48170021	9-	A	C2	
C 2076	AL.ELECTRO.CAP.	22uF	50V		ECEV1HA220WP	K48170018	1-	A	B2	
C 2076	AL.ELECTRO.CAP.	22uF	50V		EEE1HA220WP	K48170026	9-	A	B2	
C 2079	AL.ELECTRO.CAP.	22uF	50V		ECEV1HA220WP	K48170018	1-	A	B2	
C 2079	AL.ELECTRO.CAP.	22uF	50V		EEE1HA220WP	K48170026	9-	A	B2	
C 2080	AL.ELECTRO.CAP.	1uF	50V		ECEV1HS010SR	K48170001	1-	A	C3	
C 2080	AL.ELECTRO.CAP.	1uF	50V		EEE1HS010SR	K48170021	9-	A	C3	
C 2081	AL.ELECTRO.CAP.	1uF	50V		ECEV1HS010SR	K48170001	1-	A	C3	
C 2081	AL.ELECTRO.CAP.	1uF	50V		EEE1HS010SR	K48170021	9-	A	C3	
C 2082	AL.ELECTRO.CAP.	0.47uF	50V		ECEV1HAR47SR	K48170013	1	A	B2	
C 2082	CHIP TA.CAP.	0.47uF	35V		TEESVA1V474M8R	K78160029	2-	A	B2	
C 2087	AL.ELECTRO.CAP.	1uF	50V		ECEV1HS010SR	K48170001	1-	A	C2	
C 2087	AL.ELECTRO.CAP.	1uF	50V		EEE1HS010SR	K48170021	9-	A	C2	
C 2090	AL.ELECTRO.CAP.	1uF	50V		ECEV1HS010SR	K48170001	1-	A	D2	
C 2090	CHIP TA.CAP.	0.47uF	25V		TEESVA1E474M8R	K78140009	4-	A	D2	
C 2091	AL.ELECTRO.CAP.	1uF	50V		ECEV1HS010SR	K48170001	1-	A	D2	
C 2091	AL.ELECTRO.CAP.	1uF	50V		EEE1HS010SR	K48170021	9-	A	D2	
C 2091	AL.ELECTRO.CAP.	100uF	16V		EEE1CA101WP	K48120012	47-	A	D2	
C 2098	AL.ELECTRO.CAP.	220uF	10V		RV3-10V221MF80-R	K48100002	1-	A	E2	
C 2099	AL.ELECTRO.CAP.	1uF	50V		ECEV1HS010SR	K48170001	1-	A	D2	
C 2099	CHIP TA.CAP.	0.47uF	25V		TEESVA1E474M8R	K78140009	4-	A	D2	
C 2102	AL.ELECTRO.CAP.	220uF	10V		RV3-10V221MF80-R	K48100002	1-	A	E2	
C 2105	AL.ELECTRO.CAP.	1uF	50V		ECEV1HS010SR	K48170001	1-	A	B1	
C 2105	AL.ELECTRO.CAP.	1uF	50V		EEE1HS010SR	K48170021	9-	A	B1	
C 2106	AL.ELECTRO.CAP.	1uF	50V		ECEV1HS010SR	K48170001	1-	A	B1	
C 2106	AL.ELECTRO.CAP.	1uF	50V		EEE1HS010SR	K48170021	9-	A	B1	
C 2107	AL.ELECTRO.CAP.	2.2uF	50V		ECEV1HA2R2SR	K48170014	1-	A	C1	
C 2107	AL.ELECTRO.CAP.	2.2uF	50V		EEE1HA2R2SR	K48170024	10-	A	C1	
C 2108	AL.ELECTRO.CAP.	2.2uF	50V		ECEV1HA2R2SR	K48170014	1-	A	E1	
C 2108	AL.ELECTRO.CAP.	2.2uF	50V		EEE1HA2R2SR	K48170024	10-	A	E1	
C 2109	AL.ELECTRO.CAP.	1uF	50V		ECEV1HS010SR	K48170001	1-	A	D2	

REF	DESCRIPTION	VALUE	V/W	TOL.	MFR'S DESIG	YAESU P/N	VERS.	LOT	SIDE	LAY ADR
C 2109	AL.ELECTRO.CAP.	1uF	50V		EEE1HS010SR	K48170021		9-	A	D2
C 2110	CHIP CAP.	0.022uF	25V	B	GRM39B223K25PT	K22144807		1-	A	C1
C 2110	CHIP CAP.	0.022uF	50V	B	GRM188B11H223KA01D	K22174839		27-	A	C1
C 2111	CHIP CAP.	0.022uF	25V	B	GRM39B223K25PT	K22144807		1-	A	E1
C 2111	CHIP CAP.	0.022uF	50V	B	GRM188B11H223KA01D	K22174839		27-	A	E1
C 2112	CHIP CAP.	0.047uF	16V	B	GRM39B473K16PT	K22124804		1-	A	D2
C 2112	CHIP CAP.	0.047uF	25V	B	GRM188B11E473KA01D	K22144811		27-	A	D2
C 2113	AL.ELECTRO.CAP.	470uF	16V		RE3-16V471MG3#	K40129066		1-	A	C1
C 2114	CHIP CAP.	0.047uF	16V	B	GRM39B473K16PT	K22124804		1-	A	D2
C 2114	CHIP CAP.	0.047uF	25V	B	GRM188B11E473KA01D	K22144811		27-	A	D2
C 2115	AL.ELECTRO.CAP.	470uF	16V		RE3-16V471MG3#	K40129066		1-	A	E1
C 2118	CHIP CAP.	0.047uF	16V	B	GRM39B473K16PT	K22124804		1-	A	C2
C 2118	CHIP CAP.	0.047uF	25V	B	GRM188B11E473KA01D	K22144811		27-	A	C2
C 2119	CHIP CAP.	0.047uF	16V	B	GRM39B473K16PT	K22124804		1-	A	D2
C 2119	CHIP CAP.	0.047uF	25V	B	GRM188B11E473KA01D	K22144811		27-	A	D2
C 2120	AL.ELECTRO.CAP.	1uF	50V		ECEV1HS010SR	K48170001		1-		
C 2120	AL.ELECTRO.CAP.	1uF	50V		EEE1HS010SR	K48170021		9-46		
C 2122	AL.ELECTRO.CAP.	1uF	50V		ECEV1HS010SR	K48170001		1-	A	B1
C 2122	AL.ELECTRO.CAP.	1uF	50V		EEE1HS010SR	K48170021		9-	A	B1
C 2125	AL.ELECTRO.CAP.	1uF	50V		ECEV1HS010SR	K48170001		1-	A	A1
C 2125	AL.ELECTRO.CAP.	1uF	50V		EEE1HS010SR	K48170021		9-	A	A1
C 2126	CHIP CAP.	0.01uF	50V	B	GRM188B11H103KA01D	K22174823		1-	A	D2
C 2127	AL.ELECTRO.CAP.	47uF	35V		ECEV1VA470WP	K48160003		1-15	A	C1
C 2127	AL.ELECTRO.CAP.	47uF	35V		EEE1VA470WP	K48160005	CE Type	16-22	A	C1
C 2127	AL.ELECTRO.CAP.	47uF	35V		ECEV1VA470WP	K48160003		16-22	A	C1
C 2127	AL.ELECTRO.CAP.	47uF	35V		EEE1VA470WP	K48160005		23-	A	C1
C 2128	AL.ELECTRO.CAP.	47uF	35V		ECEV1VA470WP	K48160003		1-15	A	D1
C 2128	AL.ELECTRO.CAP.	47uF	35V		EEE1VA470WP	K48160005	CE Type	16-22	A	D1
C 2128	AL.ELECTRO.CAP.	47uF	35V		ECEV1VA470WP	K48160003		16-22	A	D1
C 2128	AL.ELECTRO.CAP.	47uF	35V		EEE1VA470WP	K48160005		23-	A	D1
C 2129	CHIP CAP.	0.01uF	50V	B	GRM188B11H103KA01D	K22174823		1-	A	D3
C 2130	CHIP CAP.	0.01uF	50V	B	GRM188B11H103KA01D	K22174823		1-	A	C1
C 2131	AL.ELECTRO.CAP.	1000uF	16V		RE3-16V102MH3#	K40129096		1-	A	E1
C 2133	CHIP CAP.	0.01uF	50V	B	GRM188B11H103KA01D	K22174823		1-	A	E3
C 2134	CHIP CAP.	0.001uF	50V	B	GRM188B11H102KA01D	K22174821		1-	A	E2
C 2135	CHIP CAP.	0.01uF	50V	B	GRM188B11H103KA01D	K22174823		1-	A	E3
C 2136	CHIP CAP.	0.001uF	50V	B	GRM188B11H102KA01D	K22174821		1-	A	E2
C 2137	CHIP CAP.	0.01uF	50V	B	GRM188B11H103KA01D	K22174823		1-	A	D3
C 2138	CHIP CAP.	0.01uF	50V	B	GRM188B11H103KA01D	K22174823		1-	A	D3
C 2139	CHIP CAP.	0.01uF	50V	B	GRM188B11H103KA01D	K22174823		1-	A	D3
C 2140	CHIP CAP.	0.01uF	50V	B	GRM188B11H103KA01D	K22174823		1-	A	G1
C 2141	AL.ELECTRO.CAP.	10uF	35V		ECEV1VA100WR	K48160004		1-	A	G1
C 2141	AL.ELECTRO.CAP.	10uF	35V		EEE1VA100WR	K48160006		9-	A	G1
C 2142	CHIP CAP.	0.01uF	50V	B	GRM188B11H103KA01D	K22174823		1-	A	F1
C 2143	CHIP CAP.	0.01uF	50V	B	GRM188B11H103KA01D	K22174823		1-	A	F2
C 2144	CHIP CAP.	0.01uF	50V	B	GRM188B11H103KA01D	K22174823		1-	A	G1
C 2145	CHIP CAP.	0.01uF	50V	B	GRM188B11H103KA01D	K22174823		1-	A	G1
C 2146	CHIP CAP.	0.01uF	50V	B	GRM188B11H103KA01D	K22174823		1-	A	B1
C 2147	CHIP CAP.	0.01uF	50V	B	GRM188B11H103KA01D	K22174823		1-	A	B1
C 2148	CHIP CAP.	0.0018uF	50V	B	GRM188B11H182KA01D	K22174812		1-	A	F1
C 2149	CHIP CAP.	0.0018uF	50V	B	GRM188B11H182KA01D	K22174812		1-	A	F1
C 2151	CHIP CAP.	0.1uF	16V	B	GRM188B11C104KA01D	K22124805		1-	A	B2
C 2152	CHIP CAP.	0.1uF	16V	B	GRM188B11C104KA01D	K22124805		1-	A	C2
C 2153	AL.ELECTRO.CAP.	0.22uF	50V		ECEV1HAR22SR	K48170012		1-15	A	B2
C 2153	AL.ELECTRO.CAP.	0.22uF	50V		EEE1HAR22SR	K48170022	CE Type	16-22	A	B2
C 2153	AL.ELECTRO.CAP.	0.22uF	50V		ECEV1HAR22SR	K48170012		16-22	A	B2
C 2153	AL.ELECTRO.CAP.	0.22uF	50V		EEE1HAR22SR	K48170022		23-	A	B2
C 2154	AL.ELECTRO.CAP.	0.22uF	50V		ECEV1HAR22SR	K48170012		1-15	A	C2
C 2154	AL.ELECTRO.CAP.	0.22uF	50V		EEE1HAR22SR	K48170022	CE Type	16-22	A	C2
C 2154	AL.ELECTRO.CAP.	0.22uF	50V		ECEV1HAR22SR	K48170012		16-22	A	C2
C 2154	AL.ELECTRO.CAP.	0.22uF	50V		EEE1HAR22SR	K48170022		23-	A	C2
C 2155	CHIP CAP.	0.047uF	16V	B	GRM39B473K16PT	K22124804		1-	A	B2
C 2155	CHIP CAP.	0.047uF	25V	B	GRM188B11E473KA01D	K22144811		27-	A	B2
C 2156	CHIP CAP.	0.047uF	16V	B	GRM39B473K16PT	K22124804		1-	A	B3
C 2156	CHIP CAP.	0.047uF	25V	B	GRM188B11E473KA01D	K22144811		27-	A	B3
C 2157	AL.ELECTRO.CAP.	1uF	50V		ECEV1HS010SR	K48170001		1-	A	E2
C 2157	AL.ELECTRO.CAP.	1uF	50V		EEE1HS010SR	K48170021		9-	A	E2
C 2158	AL.ELECTRO.CAP.	1uF	50V		ECEV1HS010SR	K48170001		1-	A	E2
C 2158	AL.ELECTRO.CAP.	1uF	50V		EEE1HS010SR	K48170021		9-	A	E2
C 2159	AL.ELECTRO.CAP.	10uF	35V		ECEV1VA100WR	K48160004		1-	A	E3
C 2159	AL.ELECTRO.CAP.	10uF	35V		EEE1VA100WR	K48160006		9-	A	E3
C 2160	CHIP CAP.	0.047uF	16V	B	GRM39B473K16PT	K22124804		1-	A	E2
C 2160	CHIP CAP.	0.047uF	25V	B	GRM188B11E473KA01D	K22144811		27-	A	E2



# AF Unit

## Parts List

REF	DESCRIPTION	VALUE	V/W	TOL.	MFR'S DESIG	YAESU P/N	VERS.	LOT	SIDE	LAY ADR
C 2161	CHIP CAP.	0.1uF	16V	B	GRM188B11C104KA01D	K22124805		1-	A	E2
C 2162	CHIP CAP.	0.1uF	16V	B	GRM188B11C104KA01D	K22124805		1-	A	E2
C 2163	AL.ELECTRO.CAP.	22uF	50V		ECEV1HA220WP	K48170018		1-	A	E3
C 2163	AL.ELECTRO.CAP.	22uF	50V		EEE1HA220WP	K48170026		9-	A	E3
C 2164	AL.ELECTRO.CAP.	22uF	50V		ECEV1HA220WP	K48170018		1-	A	E2
C 2164	AL.ELECTRO.CAP.	22uF	50V		EEE1HA220WP	K48170026		9-	A	E2
C 2168	AL.ELECTRO.CAP.	1uF	50V		ECEV1HS010SR	K48170001		1-	A	C2
C 2168	AL.ELECTRO.CAP.	1uF	50V		EEE1HS010SR	K48170021		9-	A	C2
C 2169	AL.ELECTRO.CAP.	1uF	50V		ECEV1HS010SR	K48170001		1-	A	C2
C 2169	AL.ELECTRO.CAP.	1uF	50V		EEE1HS010SR	K48170021		9-	A	C2
C 2170	AL.ELECTRO.CAP.	1uF	50V		ECEV1HS010SR	K48170001		1-	A	C2
C 2170	AL.ELECTRO.CAP.	1uF	50V		EEE1HS010SR	K48170021		9-	A	C2
C 2171	AL.ELECTRO.CAP.	1uF	50V		ECEV1HS010SR	K48170001		1-	A	C2
C 2171	AL.ELECTRO.CAP.	1uF	50V		EEE1HS010SR	K48170021		9-	A	C2
C 2172	AL.ELECTRO.CAP.	1uF	50V		ECEV1HS010SR	K48170001		1-	A	C2
C 2172	AL.ELECTRO.CAP.	1uF	50V		EEE1HS010SR	K48170021		9-	A	C2
C 2173	AL.ELECTRO.CAP.	1uF	50V		ECEV1HS010SR	K48170001		1-	A	C2
C 2173	AL.ELECTRO.CAP.	1uF	50V		EEE1HS010SR	K48170021		9-	A	C2
C 2174	AL.ELECTRO.CAP.	0.22uF	50V		ECEV1HAR22SR	K48170012		1-15	A	C2
C 2174	AL.ELECTRO.CAP.	0.22uF	50V		EEE1HAR22SR	K48170022	CE Type	16-22	A	C2
C 2174	AL.ELECTRO.CAP.	0.22uF	50V		ECEV1HAR22SR	K48170012		16-22	A	C2
C 2174	AL.ELECTRO.CAP.	0.22uF	50V		EEE1HAR22SR	K48170022		23-	A	C2
C 2175	AL.ELECTRO.CAP.	0.22uF	50V		ECEV1HAR22SR	K48170012		1-15	A	C2
C 2175	AL.ELECTRO.CAP.	0.22uF	50V		EEE1HAR22SR	K48170022	CE Type	16-22	A	C2
C 2175	AL.ELECTRO.CAP.	0.22uF	50V		ECEV1HAR22SR	K48170012		16-22	A	C2
C 2175	AL.ELECTRO.CAP.	0.22uF	50V		EEE1HAR22SR	K48170022		23-	A	C2
C 2176	CHIP CAP.	0.022uF	25V	B	GRM39B223K25PT	K22144807		1-	A	C2
C 2176	CHIP CAP.	0.022uF	50V	B	GRM188B11H223KA01D	K22174839		27-	A	C2
C 2177	CHIP CAP.	0.022uF	25V	B	GRM39B223K25PT	K22144807		1-	A	C2
C 2177	CHIP CAP.	0.022uF	50V	B	GRM188B11H223KA01D	K22174839		27-	A	C2
C 2178	CHIP CAP.	0.01uF	50V	B	GRM188B11H103KA01D	K22174823		4-	A	D2
C 2179	CHIP CAP.	0.01uF	50V	B	GRM188B11H103KA01D	K22174823		4-	A	D2
C 2180	AL.ELECTRO.CAP.	220uF	16V		EMVA160ADA221MF80G	K48120021		1-	A	D3
C 2185	AL.ELECTRO.CAP.	1uF	50V		ECEV1HS010SR	K48170001		1-	A	F2
C 2185	AL.ELECTRO.CAP.	1uF	50V		EEE1HS010SR	K48170021		9-	A	F2
C 2186	AL.ELECTRO.CAP.	220uF	16V		EMVA160ADA221MF80G	K48120021		1-	A	F2
C 2187	AL.ELECTRO.CAP.	220uF	16V		EMVA160ADA221MF80G	K48120021		1-	A	F3
C 2188	AL.ELECTRO.CAP.	1uF	50V		ECEV1HS010SR	K48170001		1-	A	F3
C 2188	AL.ELECTRO.CAP.	1uF	50V		EEE1HS010SR	K48170021		9-	A	F3
C 2189	AL.ELECTRO.CAP.	1uF	50V		ECEV1HS010SR	K48170001		1-	A	F3
C 2189	AL.ELECTRO.CAP.	1uF	50V		EEE1HS010SR	K48170021		9-	A	F3
C 2192	AL.ELECTRO.CAP.	10uF	16V		RC2-16V100MD1#	K40129012		1-	A	F2
C 2192	AL.ELECTRO.CAP.	10uF	35V		ECEV1VA100WR	K48160004		4-	A	F2
C 2192	AL.ELECTRO.CAP.	10uF	35V		EEE1VA100WR	K48160006		9-	A	F2
C 2195	CHIP CAP.	0.1uF	16V	B	GRM188B11C104KA01D	K22124805		1-	A	E2
C 2196	CHIP CAP.	0.1uF	16V	B	GRM188B11C104KA01D	K22124805		1-	A	E2
C 2199	AL.ELECTRO.CAP.	1uF	50V		ECEV1HS010SR	K48170001		1-	A	F2
C 2199	AL.ELECTRO.CAP.	1uF	50V		EEE1HS010SR	K48170021		9-	A	F2
C 2200	AL.ELECTRO.CAP.	1uF	50V		ECEV1HS010SR	K48170001		1-	A	A2
C 2200	AL.ELECTRO.CAP.	1uF	50V		EEE1HS010SR	K48170021		9-	A	A2
C 2201	AL.ELECTRO.CAP.	1uF	50V		ECEV1HS010SR	K48170001		1-	A	A2
C 2201	AL.ELECTRO.CAP.	1uF	50V		EEE1HS010SR	K48170021		9-	A	A2
C 2202	AL.ELECTRO.CAP.	1uF	50V		ECEV1HS010SR	K48170001		1-	A	A1
C 2202	AL.ELECTRO.CAP.	1uF	50V		EEE1HS010SR	K48170021		9-	A	A1
C 2203	AL.ELECTRO.CAP.	1uF	50V		ECEV1HS010SR	K48170001		1-	A	A2
C 2203	AL.ELECTRO.CAP.	1uF	50V		EEE1HS010SR	K48170021		9-	A	A2
C 2204	AL.ELECTRO.CAP.	1uF	50V		ECEV1HS010SR	K48170001		1-	A	A2
C 2204	AL.ELECTRO.CAP.	1uF	50V		EEE1HS010SR	K48170021		9-	A	A2
C 2207	AL.ELECTRO.CAP.	220uF	10V		RV3-10V221MF80-R	K48100002		1-	A	F2
C 2208	AL.ELECTRO.CAP.	220uF	10V		RV3-10V221MF80-R	K48100002		1-	A	A3
C 2210	AL.ELECTRO.CAP.	10uF	63V		RC2-63V100M	K40189012		1-	A	F3
C 2211	CHIP CAP.	0.01uF	250V	X7R	GRM21BR72E103KW03L	K22240801		1-	A	G3
C 2213	AL.ELECTRO.CAP.	1uF	63V		RC2-63V010MB	K40189011		1-	A	F3
C 2214	AL.ELECTRO.CAP.	1uF	50V		ECEV1HS010SR	K48170001		1-	A	A3
C 2214	AL.ELECTRO.CAP.	1uF	50V		EEE1HS010SR	K48170021		9-	A	A3
C 2214	CHIP TA.CAP.	0.047uF	35V		TEESA1V473M8R	K78160023		47-	A	A3
C 2216	AL.ELECTRO.CAP.	1uF	50V		ECEV1HS010SR	K48170001		1-	A	A3
C 2216	AL.ELECTRO.CAP.	1uF	50V		EEE1HS010SR	K48170021		9-	A	A3
C 2217	AL.ELECTRO.CAP.	1uF	50V		ECEV1HS010SR	K48170001		1-	A	A3
C 2217	AL.ELECTRO.CAP.	1uF	50V		EEE1HS010SR	K48170021		9-	A	A3
C 2218	AL.ELECTRO.CAP.	22uF	6.3V		ECEV0JS220WR	K48080007		1-	A	E3
C 2218	AL.ELECTRO.CAP.	22uF	6.3V		EEE0JS220WR	K48080013		13-	A	E3
C 2219	AL.ELECTRO.CAP.	1uF	50V		ECEV1HS010SR	K48170001		1-	A	E3

REF	DESCRIPTION	VALUE	V/W	TOL.	MFR'S DESIG	YAESU P/N	VERS.	LOT	SIDE	LAY ADR
C 2219	AL.ELECTRO.CAP.	1uF	50V		EEE1HS010SR	K48170021		9-	A	E3
C 2220	AL.ELECTRO.CAP.	1uF	50V		ECEV1HS010SR	K48170001		1-	A	E3
C 2220	AL.ELECTRO.CAP.	1uF	50V		EEE1HS010SR	K48170021		9-	A	E3
C 2221	CHIP CAP.	1uF	10V	B	GRM21BB11A105KA01L	K22100802		1-	A	F2
C 2222	CHIP CAP.	1uF	10V	B	GRM21BB11A105KA01L	K22100802		1-	A	F2
C 2223	AL.ELECTRO.CAP.	220uF	10V		RV3-10V221MF80-R	K48100002		1-	A	F1
C 2224	TANTALUM CAP.	0.47uF	35V		DN1VR47M1S	K70167474		1	A	B2
C 2224	CHIP TA.CAP.	0.47uF	35V		TEESVA1V474M8R	K78160029		2-	A	B2
C 2225	TANTALUM CAP.	0.47uF	35V		DN1VR47M1S	K70167474		1	A	F2
C 2225	CHIP TA.CAP.	0.47uF	35V		TEESVA1V474M8R	K78160029		2-	A	F2
C 2226	CHIP CAP.	0.01uF	25V	B	GRM39B103M25PT	K22144802		1-	A	G2
C 2226	CHIP CAP.	0.01uF	50V	B	GRM188B11H103KA01D	K22174823		27-	A	G2
C 2227	AL.ELECTRO.CAP.	100uF	6.3V		RC2-6V101ME1#-T58	K46080006		1-46		
C 2228	AL.ELECTRO.CAP.	22uF	16V		RC2-16V220MD1#-T58	K46120008		1-		
C 2228	AL.ELECTRO.CAP.	22uF	50V		ECEV1HA220WP	K48170018		4-		
C 2228	AL.ELECTRO.CAP.	22uF	50V		EEE1HA220WP	K48170026		9-46		
C 2232	CERAMIC CAP.	0.1uF	50V	F	UP050F104Z-A-B	K28179003		4-	A	E2
C 2232	CHIP CAP.	0.1uF	25V	F	GRM188F11E104ZA01D	K22145001		47-	A	E2
C 2233	CERAMIC CAP.	0.1uF	50V	F	UP050F104Z-A-B	K28179003		4-	A	D2
C 2233	CHIP CAP.	0.1uF	25V	F	GRM188F11E104ZA01D	K22145001		47-	A	D2
C 2234	AL.ELECTRO.CAP.	22uF	16V		RC2-16V220MD1#	K40129100		30-	A	F1
C 2234	AL.ELECTRO.CAP.	47uF	35V		EEE1VA470WP	K48160005		47-	A	F1
C 2235	CHIP CAP.	100pF	50V	CH	GRM1882C1H101JA01D	K22174235		47-	A	B2
C 2236	CHIP CAP.	100pF	50V	CH	GRM1882C1H101JA01D	K22174235		47-	A	C3
C 2237	CHIP CAP.	100pF	50V	CH	GRM1882C1H101JA01D	K22174235		47-	A	D2
C 2238	CHIP CAP.	100pF	50V	CH	GRM1882C1H101JA01D	K22174235		47-	A	D2
C 2239	CHIP CAP.	100pF	50V	CH	GRM1882C1H101JA01D	K22174235		47-	A	D2
C 2240	CHIP CAP.	100pF	50V	CH	GRM1882C1H101JA01D	K22174235		47-	A	D2
C 2241	CHIP TA.CAP.	0.47uF	35V		TEESVA1V474M8R	K78160029		47-	A	E2
C 2242	CHIP TA.CAP.	0.47uF	35V		TEESVA1V474M8R	K78160029		47-	A	E2
C 2243	CHIP CAP.	100pF	50V	CH	GRM1882C1H101JA01D	K22174235		47-	A	D2
C 2244	CHIP CAP.	100pF	50V	CH	GRM1882C1H101JA01D	K22174235		47-	A	D2
D 2002	DIODE				BAS316	G2070716		1-	A	E3
D 2003	DIODE				BAS316	G2070716		1-	A	E3
D 2004	DIODE				BAS316	G2070716		1-	A	E3
D 2005	DIODE				BAS316	G2070716		1-	A	E2
D 2006	DIODE				BAS316	G2070716		1-	A	C2
D 2007	DIODE				BAS316	G2070716		1-	A	D2
D 2008	DIODE				BAS316	G2070716		1-	A	F1
D 2009	DIODE				DAP202U T106	G2070160		1-	A	E2
D 2010	DIODE				DAP202U T106	G2070160		1-	A	B1
D 2012	DIODE				BAS316	G2070716		1-	A	E2
D 2013	DIODE				DAN202U T106	G2070162		1-	A	E2
D 2014	DIODE				DAP202U T106	G2070160		1-	A	B1
D 2015	DIODE				BAS316	G2070716		1-	A	G1
D 2016	DIODE				BAS316	G2070716		1-	A	B2
D 2017	DIODE				BAS316	G2070716		1-	A	B3
D 2018	DIODE				BAS316	G2070716		1-	A	F2
D 2024	DIODE				02CZ47(TAPE)	G2071050		1-	A	F3
J 2001	CONNECTOR				SB20-04WS	P0090611		1-	A	A3
J 2002	CONNECTOR				SB20-02WS	P0090609		1-	A	B3
J 2003	CONNECTOR				SB20-04WS	P0090611		1-	A	B3
J 2004	CONNECTOR				SB20-02WS	P0090609		1-	A	F3
J 2005	CONNECTOR				SB20-05WS	P0090612		1-	A	F3
J 2006	CONNECTOR				SB20-02WS	P0090609		1-	A	F1
J 2007	CONNECTOR				JPJ2548-01-010	P1091232		1-	A	E1
J 2009	CONNECTOR				TCS4640-01-4151	P1090634		1-	A	B1
J 2010	CONNECTOR				TCS4650-0141577	P1090635		1-	A	A1
J 2011	CONNECTOR				IMSA-6065B-06-Z049-PT1	P0091383		1-	A	E2
J 2012	CONNECTOR				JPJ2548-01-010	P1091232		1-	A	E1
J 2013	CONNECTOR				IMSA-6065B-05-Z049-PT1	P0091382		1-	A	C2
J 2014	CONNECTOR				SB20-06WS	P0090613		1-	A	D3
J 2015	CONNECTOR				SB20-04WS	P0090611		1-	A	E2
J 2015	CONNECTOR				SB20-05WS	P0090612		4-	A	E2
J 2016	CONNECTOR				SB20-02WS	P0090609		1-	A	D1
J 2017	CONNECTOR				SB20-02WS	P0090609		1-	A	D1
J 2018	CONNECTOR				30FLT-SM2-TB(LF)(SN)(M)	P1091142		1-	A	D3
J 2019	CONNECTOR				YKB21-5296N	P1091233		1-	A	D1
J 2020	CONNECTOR				YKB21-5296N	P1091233		1-	A	D1
J 2021	CONNECTOR				JPJ2548-01-010	P1091232		1-	A	F1
J 2022	CONNECTOR				YKB21-5296N	P1091233		1-	A	F1
J 2023	CONNECTOR				SB20-08WS	P0090615		1-	A	G1
J 2024	CONNECTOR				SB20-05WS	P0090612		1-	A	A2

# AF Unit

## Parts List

REF	DESCRIPTION	VALUE	V/W	TOL.	MFR'S DESIG	YAESU P/N	VERS.	LOT	SIDE	LAY ADR
J 2025	CONNECTOR				SB20-05WS	P0090612		1-	A	G3
J 2026	CONNECTOR				SB20-05WS	P0090612		1-	A	G3
J 2027	CONNECTOR				SB20-02WS	P0090609		1-	A	F3
J 2028	CONNECTOR				IMSA-9210B-1-03-GF	P0091410		1-	A	F3
J 2029	CONNECTOR				SB20-03WS	P0090610		1-	A	A3
J 2030	CONNECTOR				SB20-04WS	P0090611		1-	A	E3
J 2031	CONNECTOR				YKB21-5144	P1091234		1-	A	C1
J 2032	CONNECTOR				IMSA-9210B-1-03-GF	P0091410		1-	A	F2
JP2002	WIRE ASSY				AH010H	T9207166A		1-	A	E1
JP2003	WIRE ASSY				GRN 20 2/2	T50502000		1		
JP2004	WIRE ASSY				GRN 20 2/2	T50502000		1		
JP2005	WIRE ASSY				GRN 20 2/2	T50502000		1		
JP2006	WIRE ASSY				GRN 20 2/2	T50502000		1		
JP2007	WIRE ASSY				GRN 90 2/2	T50509000		1		
JP2008	WIRE ASSY				GRN 35 (3)/(3)	T51503512		1		
JP2009	WIRE ASSY				GRN 35 (3)/(3)	T51503512		1		
JP2010	WIRE ASSY				GRN 35 (3)/(3)	T51503512		1		
JP2011	WIRE ASSY				GRN 20 2/2	T50502000		1-3		
JP2012	WIRE ASSY				RED 20 2/2	T50202000		2-3		
L 2001	M.RFC	1000uH			LLM3225-102J	L1691157		1-	A	B1
L 2002	M.RFC	4.7uH			LLM3225-4R7J	L1691129		1-	A	A1
L 2003	M.RFC	1000uH			LLM3225-102J	L1691157		1-	A	B1
L 2004	M.RFC	1000uH			LLM3225-102J	L1691157		1-	A	F1
P 2004	CONNECTOR				9215H-GF	P1090743		1-		
P 2006	CONNECTOR				9215H-GF	P1090743		1-		
Q 2001	TRANSISTOR				2SC4154-T111-1E	G3341548E		1-	A	F3
Q 2001	TRANSISTOR				2SC4081 T106	G3340818		29-	A	F3
Q 2005	TRANSISTOR				2SC4154-T111-1E	G3341548E		1-	A	A3
Q 2005	TRANSISTOR				2SC4081 T106	G3340818		29-	A	A3
Q 2006	TRANSISTOR				2SC4154-T111-1E	G3341548E		1-	A	B3
Q 2006	TRANSISTOR				2SC4081 T106	G3340818		29-	A	B3
Q 2008	TRANSISTOR				2SC4154-T111-1E	G3341548E		1-	A	F3
Q 2008	TRANSISTOR				2SC4081 T106	G3340818		29-	A	F3
Q 2009	IC				NJM4558V-TE1	G1093250		1-	A	B3
Q 2010	IC				NJM4558V-TE1	G1093250		1-	A	F2
Q 2011	IC				NJM2902V-TE1	G1091679		1-	A	E3
Q 2012	IC				M51132FP 600C	G1091930		1-	A	F2
Q 2015	TRANSISTOR				DTC114EUA T106	G3070084		1-	A	B2
Q 2016	TRANSISTOR				2SC4154-T111-1E	G3341548E		1-	A	G2
Q 2016	TRANSISTOR				2SC4081 T106	G3340818		29-	A	G2
Q 2017	TRANSISTOR				DTC114EUA T106	G3070084		1-	A	B3
Q 2019	TRANSISTOR				2SC4154-T111-1E	G3341548E		1-		
Q 2019	TRANSISTOR				2SC4081 T106	G3340818		29-46		
Q 2020	TRANSISTOR				2SC4154-T111-1E	G3341548E		1-		
Q 2020	TRANSISTOR				2SC4081 T106	G3340818		29-46		
Q 2023	IC				NJM2904V-TE1	G1091677		1-46		
Q 2025	IC				M51132FP 600C	G1091930		1-	A	B2
Q 2026	IC				NJM4558V-TE1	G1093250		1-	A	D2
Q 2026	IC				NJM2068V-TE1	G1094112		47-	A	D2
Q 2027	IC				NJM4558V-TE1	G1093250		1-	A	D2
Q 2027	IC				NJM2068V-TE1	G1094112		47-	A	D2
Q 2028	IC				CD4066BPWR	G1093865		1-	A	C3
Q 2031	IC				SN74LVC2G66DCTR	G1094049		1-46		
Q 2033	IC				SN74LVC2G66DCTR	G1094049		1-	A	D2
Q 2034	IC				SN74LVC2G53DCTR	G1094048		1-	A	D2
Q 2035	IC				SN74LVC2G53DCTR	G1094048		1-	A	B2
Q 2036	IC				SN74LVC2G53DCTR	G1094048		1-	A	B2
Q 2037	IC				LM4881MX	G1093712		1-	A	D2
Q 2042	IC				SN74LVC2G53DCTR	G1094048		1-	A	B2
Q 2043	IC				LA4425A-E	G1092241		1-	A	C1
Q 2044	IC				LA4425A-E	G1092241		1-	A	E1
Q 2048	IC				NJM4558V-TE1	G1093250		1-46		
Q 2049	IC				BU2099FV-E2	G1093243		1-	A	D3
Q 2050	IC				BU2505FV-E2	G1093714		1-	A	D3
Q 2051	TRANSISTOR				DTC114EUA T106	G3070084		1-	A	C2
Q 2051	TRANSISTOR				DTC114WUA T106	G3070118		19-	A	C2
Q 2052	TRANSISTOR				DTC114EUA T106	G3070084		1-	A	D2
Q 2052	TRANSISTOR				DTC114WUA T106	G3070118		19-	A	D2
Q 2053	TRANSISTOR				2SD2403GY-T1	G3424038Y		1-	A	C1
Q 2054	TRANSISTOR				2SD2403GY-T1	G3424038Y		1-	A	E1
Q 2055	IC				BU2099FV-E2	G1093243		1-	A	D3
Q 2056	TRANSISTOR				2SC4154-T111-1E	G3341548E		1-	A	C1
Q 2056	TRANSISTOR				2SC4081 T106	G3340818		29-	A	C1

# AF Unit

## Parts List

REF	DESCRIPTION	VALUE	V/W	TOL.	MFR'S DESIG	YAESU P/N	VERS.	LOT	SIDE	LAY ADR
Q 2057	TRANSISTOR				2SC4154-T111-1E	G3341548E		1-	A	E1
Q 2057	TRANSISTOR				2SC4081 T106	G3340818		29-	A	E1
Q 2058	POLY SWITCH				MINISMDC0505-02	G9090143		1-	A	F1
Q 2059	IC				SN74LVC2G53DCTR	G1094048		1-	A	C3
Q 2060	TRANSISTOR				DTC114EUA T106	G3070084		1-	A	D2
Q 2061	FET				2SK209GR TE85R	G3802097G		1-	A	B2
Q 2061	FET				2SK209GR(TE85L.F)	G3802098G		61-	A	B2
Q 2062	FET				2SK209GR TE85R	G3802097G		1-	A	B3
Q 2062	FET				2SK209GR(TE85L.F)	G3802098G		61-	A	B3
Q 2063	TRANSISTOR				DTC114EUA T106	G3070084		1-	A	B2
Q 2064	TRANSISTOR				DTC114EUA T106	G3070084		1-	A	C2
Q 2065	IC				M51132FP 600C	G1091930		1-	A	E2
Q 2067	IC				NJM2761RB2-TE1	G1094114		1-	A	C2
Q 2068	IC				NJM2761RB2-TE1	G1094114		1-	A	C2
Q 2069	IC				SN74LVC2G53DCTR	G1094048		1-	A	C2
Q 2070	IC				SN74LVC2G53DCTR	G1094048		1-	A	C2
Q 2071	IC				NJM2082V-TE1	G1094113		1-	A	F2
Q 2072	IC				SN74LVC2G53DCTR	G1094048		1-	A	F2
Q 2073	IC				SN74LVC2G53DCTR	G1094048		1-	A	F2
Q 2074	IC				SN74LVC2G53DCTR	G1094048		1-	A	E2
Q 2075	IC				CD4053BPWR	G1093864		1-	A	A2
Q 2076	IC				SN74LVC2G53DCTR	G1094048		1-	A	A2
Q 2081	IC				SN74LVC2G53DCTR	G1094048		1-	A	F2
Q 2082	TRANSISTOR				DTC114EUA T106	G3070084		1-	A	F2
Q 2084	TRANSISTOR				2SC4117GR(TAPE)	G3341177G		1-	A	F3
Q 2085	IC				SN74LVC2G53DCTR	G1094048		1-	A	A3
Q 2086	IC				SN74LVC2G53DCTR	G1094048		1-	A	A3
Q 2087	IC				SN74LVC2G53DCTR	G1094048		1-	A	E3
Q 2088	IC				SN74LVC2G53DCTR	G1094048		1-	A	E3
Q 2089	IC				NJM2904V-TE1	G1091677		1-	A	D2
Q 2089	IC				NJM2068V-TE1	G1094112		47-	A	D2
Q 2090	IC				NJM2904V-TE1	G1091677		1-	A	A2
Q 2091	TRANSISTOR				DTC144EK T146	G3070033		1	A	F3
Q 2091	TRANSISTOR				2SA2088 T106 Q	G3120888Q		2-	A	F3
Q 2092	TRANSISTOR				DTA144EK T146	G3070069		1	A	F3
Q 2092	TRANSISTOR				2SC4117GR(TAPE)	G3341177G		2-	A	F3
Q 2093	TRANSISTOR				2SC4081 T106	G3340818		47-	A	F1
Q 2094	TRANSISTOR				2SC4081 T106	G3340818		47-	A	F1
Q 2095	IC				NJM2068V-TE1	G1094112		47-	A	B3
R 2001	CHIP RES.	330	1/16W	5%	RMC1/16 331JATP	J24185331		1-	A	E3
R 2003	CHIP RES.	18k	1/16W	5%	RMC1/16 183JATP	J24185183		1-	A	A3
R 2004	CHIP RES.	18k	1/16W	5%	RMC1/16 183JATP	J24185183		1-	A	B3
R 2006	CHIP RES.	10k	1/16W	5%	RMC1/16 103JATP	J24185103		1-	A	A3
R 2007	CHIP RES.	10k	1/16W	5%	RMC1/16 103JATP	J24185103		1-	A	B3
R 2008	CHIP RES.	47k	1/16W	5%	RMC1/16 473JATP	J24185473		1-	A	F3
R 2009	CHIP RES.	100	1/16W	5%	RMC1/16 101JATP	J24185101		1-	A	A3
R 2010	CHIP RES.	1k	1/16W	5%	RMC1/16 102JATP	J24185102		1-	A	A3
R 2011	CHIP RES.	100	1/16W	5%	RMC1/16 101JATP	J24185101		1-	A	B3
R 2012	CHIP RES.	1k	1/16W	5%	RMC1/16 102JATP	J24185102		1-	A	B3
R 2014	CHIP RES.	3.3k	1/16W	5%	RMC1/16 332JATP	J24185332		1-	A	F3
R 2015	CHIP RES.	68	1/16W	5%	RMC1/16 680JATP	J24185680		1-	A	F3
R 2016	CHIP RES.	1k	1/16W	5%	RMC1/16 102JATP	J24185102		1-	A	F3
R 2018	CHIP RES.	10k	1/16W	5%	RMC1/16 103JATP	J24185103		1-	A	B3
R 2019	CHIP RES.	10k	1/16W	5%	RMC1/16 103JATP	J24185103		1-	A	A3
R 2020	CHIP RES.	22k	1/16W	5%	RMC1/16 223JATP	J24185223		1-	A	F3
R 2021	CHIP RES.	10k	1/16W	5%	RMC1/16 103JATP	J24185103		1-	A	B3
R 2023	CHIP RES.	10k	1/16W	5%	RMC1/16 103JATP	J24185103		1-	A	B3
R 2024	CHIP RES.	100	1/16W	5%	RMC1/16 101JATP	J24185101		1-	A	F3
R 2026	CHIP RES.	68k	1/16W	5%	RMC1/16 683JATP	J24185683		1-	A	F3
R 2028	CHIP RES.	4.7k	1/16W	5%	RMC1/16 472JATP	J24185472		1-	A	E3
R 2029	CHIP RES.	1k	1/16W	5%	RMC1/16 102JATP	J24185102		1-	A	F2
R 2030	CHIP RES.	220	1/16W	5%	RMC1/16 221JATP	J24185221		1-	A	F2
R 2031	CHIP RES.	2.2k	1/16W	5%	RMC1/16 222JATP	J24185222		1-	A	E3
R 2032	CHIP RES.	2.2k	1/16W	5%	RMC1/16 222JATP	J24185222		1-	A	E3
R 2035	CHIP RES.	470k	1/16W	5%	RMC1/16 474JATP	J24185474		1-	A	E3
R 2036	CHIP RES.	100	1/16W	5%	RMC1/16 101JATP	J24185101		1-	A	F2
R 2037	CHIP RES.	470k	1/16W	5%	RMC1/16 474JATP	J24185474		1-	A	E3
R 2038	CHIP RES.	2.2k	1/16W	5%	RMC1/16 222JATP	J24185222		1-	A	E3
R 2039	CHIP RES.	10k	1/16W	5%	RMC1/16 103JATP	J24185103		1-	A	F1
R 2040	CHIP RES.	2.2k	1/16W	5%	RMC1/16 222JATP	J24185222		1-	A	E3
R 2041	CHIP RES.	10k	1/16W	5%	RMC1/16 103JATP	J24185103		1-	A	F2
R 2042	CHIP RES.	10k	1/16W	5%	RMC1/16 103JATP	J24185103		1-	A	E2
R 2047	CHIP RES.	1k	1/16W	5%	RMC1/16 102JATP	J24185102		1-	A	F2

# AF Unit

## Parts List

REF	DESCRIPTION	VALUE	V/W	TOL.	MFR'S DESIG	YAESU P/N	VERS.	LOT	SIDE	LAY ADR
R 2048	CHIP RES.	330k	1/16W	5%	RMC1/16 334JATP	J24185334		1-	A	E3
R 2049	CHIP RES.	3.3M	1/16W	5%	RMC1/16 335JATP	J24185335		1-	A	E3
R 2051	CHIP RES.	100k	1/16W	5%	RMC1/16 104JATP	J24185104		1-	A	E3
R 2052	CHIP RES.	10k	1/16W	5%	RMC1/16 103JATP	J24185103		1-	A	E3
R 2053	CHIP RES.	2.2M	1/16W	5%	RMC1/16 225JATP	J24185225		1-	A	E2
R 2056	CHIP RES.	10k	1/16W	5%	RMC1/16 103JATP	J24185103		1-	A	E3
R 2057	CHIP RES.	10k	1/16W	5%	RMC1/16 103JATP	J24185103		1-	A	E3
R 2058	CHIP RES.	0	1/16W	5%	RMC1/16 000JATP	J24185000		1-	A	E3
R 2059	CHIP RES.	47k	1/16W	5%	RMC1/16 473JATP	J24185473		1-	A	F2
R 2060	CHIP RES.	4.7k	1/16W	5%	RMC1/16 472JATP	J24185472		1-	A	F2
R 2061	CHIP RES.	10k	1/16W	5%	RMC1/16 103JATP	J24185103		1-	A	E2
R 2062	CHIP RES.	10k	1/16W	5%	RMC1/16 103JATP	J24185103		1-	A	E3
R 2063	CHIP RES.	10k	1/16W	5%	RMC1/16 103JATP	J24185103		1-	A	E3
R 2066	CHIP RES.	1M	1/16W	5%	RMC1/16 105JATP	J24185105		1-	A	E2
R 2067	CHIP RES.	10k	1/16W	5%	RMC1/16 103JATP	J24185103		1-	A	E3
R 2068	CHIP RES.	100	1/16W	5%	RMC1/16 101JATP	J24185101		1-	A	G2
R 2069	CHIP RES.	2.2k	1/16W	5%	RMC1/16 222JATP	J24185222		1-	A	G2
R 2070	CHIP RES.	22k	1/16W	5%	RMC1/16 223JATP	J24185223		1-	A	G2
R 2071	CHIP RES.	68	1/16W	5%	RMC1/16 680JATP	J24185680		1-	A	G2
R 2072	CHIP RES.	470	1/16W	5%	RMC1/16 471JATP	J24185471		1-	A	G2
R 2075	CHIP RES.	100	1/16W	5%	RMC1/16 101JATP	J24185101		1-	A	G2
R 2076	CHIP RES.	18k	1/16W	5%	RMC1/16 183JATP	J24185183		1-	A	G2
R 2077	CHIP RES.	10k	1/16W	5%	RMC1/16 103JATP	J24185103		1-	A	G2
R 2078	CHIP RES.	1k	1/16W	5%	RMC1/16 102JATP	J24185102		1-	A	E2
R 2079	CHIP RES.	10k	1/16W	5%	RMC1/16 103JATP	J24185103		1-	A	C3
R 2081	CHIP RES.	1k	1/16W	5%	RMC1/16 102JATP	J24185102		1-	A	F1
R 2084	CHIP RES.	0	1/16W	5%	RMC1/16 000JATP	J24185000		1-	A	C3
R 2085	CHIP RES.	2.2k	1/16W	5%	RMC1/16 222JATP	J24185222		1-	A	C3
R 2086	CHIP RES.	1k	1/16W	5%	RMC1/16 102JATP	J24185102		1-	A	F1
R 2087	CHIP RES.	2.2k	1/16W	5%	RMC1/16 222JATP	J24185222		1-	A	C3
R 2090	CHIP RES.	22k	1/16W	5%	RMC1/16 223JATP	J24185223		1-46		
R 2091	CHIP RES.	22k	1/16W	5%	RMC1/16 223JATP	J24185223		1-46		
R 2092	CHIP RES.	68k	1/16W	5%	RMC1/16 683JATP	J24185683		1-46		
R 2093	CHIP RES.	68k	1/16W	5%	RMC1/16 683JATP	J24185683		1-46		
R 2098	CHIP RES.	10k	1/16W	5%	RMC1/16 103JATP	J24185103		1-46		
R 2099	CHIP RES.	10k	1/16W	5%	RMC1/16 103JATP	J24185103		1-46		
R 2100	CHIP RES.	10k	1/16W	5%	RMC1/16 103JATP	J24185103		1-46		
R 2101	CHIP RES.	10k	1/16W	5%	RMC1/16 103JATP	J24185103		1-46		
R 2105	CHIP RES.	100	1/16W	5%	RMC1/16 101JATP	J24185101		1-46		
R 2106	CHIP RES.	3.3k	1/16W	5%	RMC1/16 332JATP	J24185332		1-46		
R 2107	CHIP RES.	220	1/16W	5%	RMC1/16 221JATP	J24185221		1-46		
R 2108	CHIP RES.	1k	1/16W	5%	RMC1/16 102JATP	J24185102		1-46		
R 2109	CHIP RES.	100	1/16W	5%	RMC1/16 101JATP	J24185101		1-46		
R 2110	CHIP RES.	3.3k	1/16W	5%	RMC1/16 332JATP	J24185332		1-46		
R 2111	CHIP RES.	220	1/16W	5%	RMC1/16 221JATP	J24185221		1-46		
R 2112	CHIP RES.	1k	1/16W	5%	RMC1/16 102JATP	J24185102		1-46		
R 2114	CHIP RES.	10k	1/16W	5%	RMC1/16 103JATP	J24185103		1-46		
R 2117	CHIP RES.	10k	1/16W	5%	RMC1/16 103JATP	J24185103		1-46		
R 2118	CHIP RES.	150k	1/16W	5%	RMC1/16 154JATP	J24185154		1-	A	B2
R 2119	CHIP RES.	150k	1/16W	5%	RMC1/16 154JATP	J24185154		1-	A	B2
R 2120	CHIP RES.	4.7k	1/16W	5%	RMC1/16 472JATP	J24185472		1-	A	C2
R 2120	CHIP RES.	1k	1/16W	5%	RMC1/16 102JATP	J24185102		47-	A	C2
R 2121	CHIP RES.	4.7k	1/16W	5%	RMC1/16 472JATP	J24185472		1-	A	B2
R 2121	CHIP RES.	1k	1/16W	5%	RMC1/16 102JATP	J24185102		47-	A	B2
R 2122	CHIP RES.	470k	1/16W	5%	RMC1/16 474JATP	J24185474		1-	A	C3
R 2123	CHIP RES.	100k	1/16W	5%	RMC1/16 104JATP	J24185104		1-	A	C3
R 2129	CHIP RES.	100	1/16W	5%	RMC1/16 101JATP	J24185101		1-	A	C2
R 2134	CHIP RES.	100k	1/16W	5%	RMC1/16 104JATP	J24185104		1-	A	C3
R 2135	CHIP RES.	1k	1/16W	5%	RMC1/16 102JATP	J24185102		1-	A	C2
R 2136	CHIP RES.	100k	1/16W	5%	RMC1/16 104JATP	J24185104		1-	A	C3
R 2137	CHIP RES.	10k	1/16W	5%	RMC1/16 103JATP	J24185103		1-	A	B1
R 2138	CHIP RES.	10k	1/16W	5%	RMC1/16 103JATP	J24185103		1-	A	D2
R 2139	CHIP RES.	10k	1/16W	5%	RMC1/16 103JATP	J24185103		1-	A	D2
R 2140	CHIP RES.	10k	1/16W	5%	RMC1/16 103JATP	J24185103		1-	A	D2
R 2140	CHIP RES.	22k	1/16W	5%	RMC1/16 223JATP	J24185223		47-	A	D2
R 2141	CHIP RES.	10k	1/16W	5%	RMC1/16 103JATP	J24185103		1-	A	D2
R 2141	CHIP RES.	22k	1/16W	5%	RMC1/16 223JATP	J24185223		47-	A	D2
R 2142	CHIP RES.	47k	1/16W	5%	RMC1/16 473JATP	J24185473		1-46		
R 2143	CHIP RES.	47k	1/16W	5%	RMC1/16 473JATP	J24185473		1-46		
R 2144	CHIP RES.	47k	1/16W	5%	RMC1/16 473JATP	J24185473		1-	A	C3
R 2145	CHIP RES.	47k	1/16W	5%	RMC1/16 473JATP	J24185473		1-	A	C3
R 2146	CHIP RES.	47k	1/16W	5%	RMC1/16 473JATP	J24185473		1-	A	C3
R 2147	CHIP RES.	10k	1/16W	5%	RMC1/16 103JATP	J24185103		1-	A	B2

# AF Unit

## Parts List

REF	DESCRIPTION	VALUE	V/W	TOL.	MFR'S DESIG	YAESU P/N	VERS.	LOT	SIDE	LAY ADR
R 2148	CHIP RES.	470k	1/16W	5%	RMC1/16 474JATP	J24185474		1-	A	B2
R 2149	CHIP RES.	470k	1/16W	5%	RMC1/16 474JATP	J24185474		1-	A	B2
R 2150	CHIP RES.	100k	1/16W	5%	RMC1/16 104JATP	J24185104		1-	A	C3
R 2152	CHIP RES.	10k	1/16W	5%	RMC1/16 103JATP	J24185103		1-	A	B2
R 2153	CHIP RES.	10k	1/16W	5%	RMC1/16 103JATP	J24185103		1-	A	B2
R 2158	CHIP RES.	0	1/16W	5%	RMC1/16 000JATP	J24185000		1-	A	C2
R 2161	CHIP RES.	1k	1/16W	5%	RMC1/16 102JATP	J24185102		1-	A	C2
R 2162	CHIP RES.	10k	1/16W	5%	RMC1/16 103JATP	J24185103		1-	A	D2
R 2163	CHIP RES.	10k	1/16W	5%	RMC1/16 103JATP	J24185103		1-	A	D2
R 2164	CHIP RES.	1k	1/16W	5%	RMC1/16 102JATP	J24185102		1-	A	D2
R 2164	CHIP RES.	4.7k	1/16W	5%	RMC1/16 472JATP	J24185472		4-	A	D2
R 2165	CHIP RES.	1k	1/16W	5%	RMC1/16 102JATP	J24185102		1-	A	D2
R 2165	CHIP RES.	4.7k	1/16W	5%	RMC1/16 472JATP	J24185472		4-	A	D2
R 2166	CHIP RES.	0	1/16W	5%	RMC1/16 000JATP	J24185000	W/O DUAL RX	2-	A	D2
R 2166	CHIP RES.	0	1/16W	5%	RMC1/16 000JATP	J24185000	W/O DUAL RX	19-	A	D2
R 2168	CHIP RES.	33k	1/16W	5%	RMC1/16 333JATP	J24185333		1-	A	A2
R 2170	CHIP RES.	33k	1/16W	5%	RMC1/16 333JATP	J24185333		1-	A	A2
R 2172	CHIP RES.	10k	1/16W	5%	RMC1/16 103JATP	J24185103		1-	A	D2
R 2172	CHIP RES.	22k	1/16W	5%	RMC1/16 223JATP	J24185223		4-	A	D2
R 2179	CHIP RES.	47k	1/16W	5%	RMC1/16 473JATP	J24185473		1-	A	D2
R 2184	CHIP RES.	10k	1/16W	5%	RMC1/16 103JATP	J24185103		1-	A	D2
R 2184	CHIP RES.	22k	1/16W	5%	RMC1/16 223JATP	J24185223		4-	A	D2
R 2189	CHIP RES.	47k	1/16W	5%	RMC1/16 473JATP	J24185473		1-	A	B2
R 2192	CHIP RES.	47k	1/16W	5%	RMC1/16 473JATP	J24185473		1-	A	B2
R 2197	CHIP RES.	10	1/4W	5%	RMC1/4 100JATP	J24245100		1-	A	E2
R 2198	CHIP RES.	1k	1/16W	5%	RMC1/16 102JATP	J24185102		1-	A	D2
R 2199	CHIP RES.	47k	1/16W	5%	RMC1/16 473JATP	J24185473		1-	A	D2
R 2200	CHIP RES.	47k	1/16W	5%	RMC1/16 473JATP	J24185473		1-	A	D2
R 2205	CHIP RES.	100k	1/16W	5%	RMC1/16 104JATP	J24185104		1-46		
R 2206	CHIP RES.	10k	1/16W	5%	RMC1/16 103JATP	J24185103		1-	A	F1
R 2206	CHIP RES.	4.7k	1/16W	5%	RMC1/16 472JATP	J24185472		47-	A	F1
R 2209	CHIP RES.	10k	1/16W	5%	RMC1/16 103JATP	J24185103		1-46		
R 2210	CHIP RES.	1k	1/16W	5%	RMC1/16 102JATP	J24185102		1-	A	D1
R 2211	CHIP RES.	120k	1/16W	5%	RMC1/16 124JATP	J24185124		1-46		
R 2212	CHIP RES.	10k	1/16W	5%	RMC1/16 103JATP	J24185103		1-46		
R 2213	CHIP RES.	47k	1/16W	5%	RMC1/16 473JATP	J24185473		1-	A	F1
R 2213	CHIP RES.	33k	1/16W	5%	RMC1/16 333JATP	J24185333		47-	A	F1
R 2214	CHIP RES.	47k	1/16W	5%	RMC1/16 473JATP	J24185473		1-46		
R 2215	CHIP RES.	1k	1/16W	5%	RMC1/16 102JATP	J24185102		1-	A	D1
R 2218	CHIP RES.	330	1/4W	5%	RMC1/4 331JATP	J24245331		1-	A	D2
R 2219	CHIP RES.	330	1/4W	5%	RMC1/4 331JATP	J24245331		1-	A	D2
R 2220	CHIP RES.	1k	1/16W	5%	RMC1/16 102JATP	J24185102		1-	A	E1
R 2221	CHIP RES.	1k	1/16W	5%	RMC1/16 102JATP	J24185102		1-	A	A1
R 2222	CHIP RES.	10k	1/16W	5%	RMC1/16 103JATP	J24185103		1-	A	D3
R 2223	CHIP RES.	10k	1/16W	5%	RMC1/16 103JATP	J24185103		1-	A	D3
R 2224	CHIP RES.	10k	1/16W	5%	RMC1/16 103JATP	J24185103		1-	A	D3
R 2225	CHIP RES.	15k	1/16W	5%	RMC1/16 153JATP	J24185153		1-	A	E3
R 2226	CHIP RES.	15k	1/16W	5%	RMC1/16 153JATP	J24185153		1-	A	E3
R 2227	CHIP RES.	15k	1/16W	5%	RMC1/16 153JATP	J24185153		1-	A	D3
R 2228	CHIP RES.	10	1/16W	5%	RMC1/16 100JATP	J24185100		1-	A	D3
R 2229	CHIP RES.	2.2k	1/16W	5%	RMC1/16 222JATP	J24185222		1-	A	B1
R 2230	CHIP RES.	2.2k	1/16W	5%	RMC1/16 222JATP	J24185222		1-	A	E1
R 2232	CHIP RES.	0	1/16W	5%	RMC1/16 000JATP	J24185000		1-	A	E1
R 2233	CHIP RES.	4.7k	1/16W	5%	RMC1/16 472JATP	J24185472		1-	A	E1
R 2234	CHIP RES.	0	1/16W	5%	RMC1/16 000JATP	J24185000		1-	A	E2
R 2235	CHIP RES.	10k	1/16W	5%	RMC1/16 103JATP	J24185103		1-	A	E2
R 2236	CHIP RES.	10k	1/16W	5%	RMC1/16 103JATP	J24185103		1-	A	E2
R 2237	CHIP RES.	1k	1/16W	5%	RMC1/16 102JATP	J24185102		1-	A	G1
R 2238	CHIP RES.	10k	1/16W	5%	RMC1/16 103JATP	J24185103		1-	A	C3
R 2239	CHIP RES.	10k	1/16W	5%	RMC1/16 103JATP	J24185103		1-	A	C3
R 2240	CHIP RES.	10k	1/16W	5%	RMC1/16 103JATP	J24185103		1-	A	C3
R 2241	CHIP RES.	10k	1/16W	5%	RMC1/16 103JATP	J24185103		1-	A	C3
R 2242	CHIP RES.	4.7k	1/16W	5%	RMC1/16 472JATP	J24185472		1-	A	D3
R 2243	CHIP RES.	0	1/16W	5%	RMC1/16 000JATP	J24185000		1-	A	D3
R 2245	CHIP RES.	4.7	1/16W	5%	RMC1/16 4R7JATP	J24185479		1-	A	G1
R 2246	CHIP RES.	470	1/16W	5%	RMC1/16 471JATP	J24185471		1-	A	G1
R 2247	CHIP RES.	470	1/16W	5%	RMC1/16 471JATP	J24185471		1-	A	G1
R 2248	CHIP RES.	470	1/16W	5%	RMC1/16 471JATP	J24185471		1-	A	G1
R 2249	CHIP RES.	470	1/16W	5%	RMC1/16 471JATP	J24185471		1-	A	F1
R 2250	CHIP RES.	0	1/16W	5%	RMC1/16 000JATP	J24185000		1-	A	E3
R 2251	CHIP RES.	0	1/16W	5%	RMC1/16 000JATP	J24185000		1-	A	E3
R 2254	CHIP RES.	0	1/16W	5%	RMC1/16 000JATP	J24185000		1-46		
R 2255	CHIP RES.	0	1/16W	5%	RMC1/16 000JATP	J24185000		1-46		

# AF Unit

## Parts List

REF	DESCRIPTION	VALUE	V/W	TOL.	MFR'S DESIG	YAESU P/N	VERS.	LOT	SIDE	LAY ADR
R 2256	CHIP RES.	0	1/16W	5%	RMC1/16 000JATP	J24185000		1-	A	C3
R 2259	CHIP RES.	220k	1/16W	5%	RMC1/16 224JATP	J24185224		1-	A	D2
R 2259	CHIP RES.	22k	1/16W	5%	RMC1/16 223JATP	J24185223		4-	A	D2
R 2260	CHIP RES.	220k	1/16W	5%	RMC1/16 224JATP	J24185224		1-	A	D2
R 2260	CHIP RES.	22k	1/16W	5%	RMC1/16 223JATP	J24185223		4-	A	D2
R 2262	CHIP RES.	4.7k	1/16W	5%	RMC1/16 472JATP	J24185472		1-	A	B2
R 2263	CHIP RES.	4.7k	1/16W	5%	RMC1/16 472JATP	J24185472		1-	A	C2
R 2264	CHIP RES.	68k	1/16W	5%	RMC1/16 683JATP	J24185683		1-	A	B2
R 2265	CHIP RES.	68k	1/16W	5%	RMC1/16 683JATP	J24185683		1-	A	B3
R 2266	CHIP RES.	100k	1/16W	5%	RMC1/16 104JATP	J24185104		1-	A	B2
R 2267	CHIP RES.	100k	1/16W	5%	RMC1/16 104JATP	J24185104		1-	A	B3
R 2268	CHIP RES.	4.7k	1/16W	5%	RMC1/16 472JATP	J24185472		1-	A	B2
R 2269	CHIP RES.	4.7k	1/16W	5%	RMC1/16 472JATP	J24185472		1-	A	B3
R 2270	CHIP RES.	100k	1/16W	5%	RMC1/16 104JATP	J24185104		1-	A	B3
R 2271	CHIP RES.	100k	1/16W	5%	RMC1/16 104JATP	J24185104		1-	A	B3
R 2272	CHIP RES.	100k	1/16W	5%	RMC1/16 104JATP	J24185104		1-	A	B3
R 2273	CHIP RES.	100k	1/16W	5%	RMC1/16 104JATP	J24185104		1-	A	B3
R 2274	CHIP RES.	1k	1/16W	5%	RMC1/16 102JATP	J24185102		1-	A	E2
R 2275	CHIP RES.	1k	1/16W	5%	RMC1/16 102JATP	J24185102		1-	A	E2
R 2276	CHIP RES.	100	1/16W	5%	RMC1/16 101JATP	J24185101		1-	A	E2
R 2277	CHIP RES.	1k	1/16W	5%	RMC1/16 102JATP	J24185102		1-	A	E2
R 2278	CHIP RES.	100k	1/16W	5%	RMC1/16 104JATP	J24185104		1-	A	D2
R 2279	CHIP RES.	10k	1/16W	5%	RMC1/16 103JATP	J24185103		1-	A	E2
R 2280	CHIP RES.	10k	1/16W	5%	RMC1/16 103JATP	J24185103		1-	A	E2
R 2287	CHIP RES.	220k	1/16W	5%	RMC1/16 224JATP	J24185224		1-	A	C2
R 2287	CHIP RES.	22k	1/16W	5%	RMC1/16 223JATP	J24185223		47-	A	C2
R 2288	CHIP RES.	220k	1/16W	5%	RMC1/16 224JATP	J24185224		1-	A	C2
R 2288	CHIP RES.	22k	1/16W	5%	RMC1/16 223JATP	J24185223		47-	A	C2
R 2289	CHIP RES.	47k	1/16W	5%	RMC1/16 473JATP	J24185473		1-	A	C2
R 2290	CHIP RES.	47k	1/16W	5%	RMC1/16 473JATP	J24185473		1-	A	C2
R 2291	CHIP RES.	47k	1/16W	5%	RMC1/16 473JATP	J24185473		1-	A	F2
R 2296	CHIP RES.	1k	1/16W	5%	RMC1/16 102JATP	J24185102		1-	A	A2
R 2297	CHIP RES.	1k	1/16W	5%	RMC1/16 102JATP	J24185102		1-	A	A2
R 2298	CHIP RES.	47k	1/16W	5%	RMC1/16 473JATP	J24185473		1-	A	A2
R 2299	CHIP RES.	47k	1/16W	5%	RMC1/16 473JATP	J24185473		1-	A	A2
R 2300	CHIP RES.	47k	1/16W	5%	RMC1/16 473JATP	J24185473		1-	A	A2
R 2301	CHIP RES.	47k	1/16W	5%	RMC1/16 473JATP	J24185473		1-	A	A2
R 2302	CHIP RES.	47k	1/16W	5%	RMC1/16 473JATP	J24185473		1-	A	E2
R 2303	CHIP RES.	47k	1/16W	5%	RMC1/16 473JATP	J24185473		1-	A	F2
R 2304	CHIP RES.	47k	1/16W	5%	RMC1/16 473JATP	J24185473		1-	A	F2
R 2305	CHIP RES.	47k	1/16W	5%	RMC1/16 473JATP	J24185473		1-	A	F2
R 2306	CHIP RES.	10k	1/16W	5%	RMC1/16 103JATP	J24185103		1-	A	F3
R 2307	CHIP RES.	10k	1/16W	5%	RMC1/16 103JATP	J24185103		1-	A	F3
R 2308	CHIP RES.	33k	1/16W	5%	RMC1/16 333JATP	J24185333		1-	A	F2
R 2309	CHIP RES.	33k	1/16W	5%	RMC1/16 333JATP	J24185333		1-	A	F2
R 2310	CHIP RES.	10k	1/16W	5%	RMC1/16 103JATP	J24185103		1-	A	F2
R 2311	CHIP RES.	68k	1/16W	5%	RMC1/16 683JATP	J24185683		1-	A	F2
R 2315	CHIP RES.	100k	1/16W	5%	RMC1/16 104JATP	J24185104		1-	A	A2
R 2316	CHIP RES.	100k	1/16W	5%	RMC1/16 104JATP	J24185104		1-	A	A2
R 2317	CHIP RES.	100k	1/16W	5%	RMC1/16 104JATP	J24185104		1-	A	A2
R 2318	CHIP RES.	100k	1/16W	5%	RMC1/16 104JATP	J24185104		1-	A	A2
R 2319	CHIP RES.	100k	1/16W	5%	RMC1/16 104JATP	J24185104		1-	A	A2
R 2320	CHIP RES.	100k	1/16W	5%	RMC1/16 104JATP	J24185104		1-	A	A2
R 2321	CHIP RES.	100k	1/16W	5%	RMC1/16 104JATP	J24185104		1-	A	A2
R 2324	CHIP RES.	100k	1/16W	5%	RMC1/16 104JATP	J24185104		1-	A	E2
R 2325	CHIP RES.	100k	1/16W	5%	RMC1/16 104JATP	J24185104		1-	A	E2
R 2326	CHIP RES.	100k	1/16W	5%	RMC1/16 104JATP	J24185104		1-	A	E2
R 2328	CHIP RES.	100k	1/16W	5%	RMC1/16 104JATP	J24185104		1-	A	D2
R 2332	CHIP RES.	100k	1/16W	5%	RMC1/16 104JATP	J24185104		1-	A	F2
R 2333	CHIP RES.	100k	1/16W	5%	RMC1/16 104JATP	J24185104		1-	A	F2
R 2334	CHIP RES.	100k	1/16W	5%	RMC1/16 104JATP	J24185104		1-	A	F2
R 2335	CHIP RES.	2.2k	1/16W	5%	RMC1/16 222JATP	J24185222		1-	A	E3
R 2336	CHIP RES.	2.2k	1/16W	5%	RMC1/16 222JATP	J24185222		1-	A	E3
R 2337	CHIP RES.	100k	1/16W	5%	RMC1/16 104JATP	J24185104		1-	A	F2
R 2338	CHIP RES.	100k	1/16W	5%	RMC1/16 104JATP	J24185104		1-	A	F2
R 2339	CHIP RES.	100k	1/16W	5%	RMC1/16 104JATP	J24185104		1-	A	F2
R 2340	CHIP RES.	100k	1/16W	5%	RMC1/16 104JATP	J24185104		1-	A	C2
R 2341	CHIP RES.	100k	1/16W	5%	RMC1/16 104JATP	J24185104		1-	A	C2
R 2342	CHIP RES.	100k	1/16W	5%	RMC1/16 104JATP	J24185104		1-46		
R 2343	CHIP RES.	100k	1/16W	5%	RMC1/16 104JATP	J24185104		1-	A	C2
R 2344	CHIP RES.	100k	1/16W	5%	RMC1/16 104JATP	J24185104		1-	A	C2
R 2345	CHIP RES.	100k	1/16W	5%	RMC1/16 104JATP	J24185104		1-46		
R 2346	CHIP RES.	2.2k	1/16W	5%	RMC1/16 222JATP	J24185222		1-	A	C2

# AF Unit

## Parts List

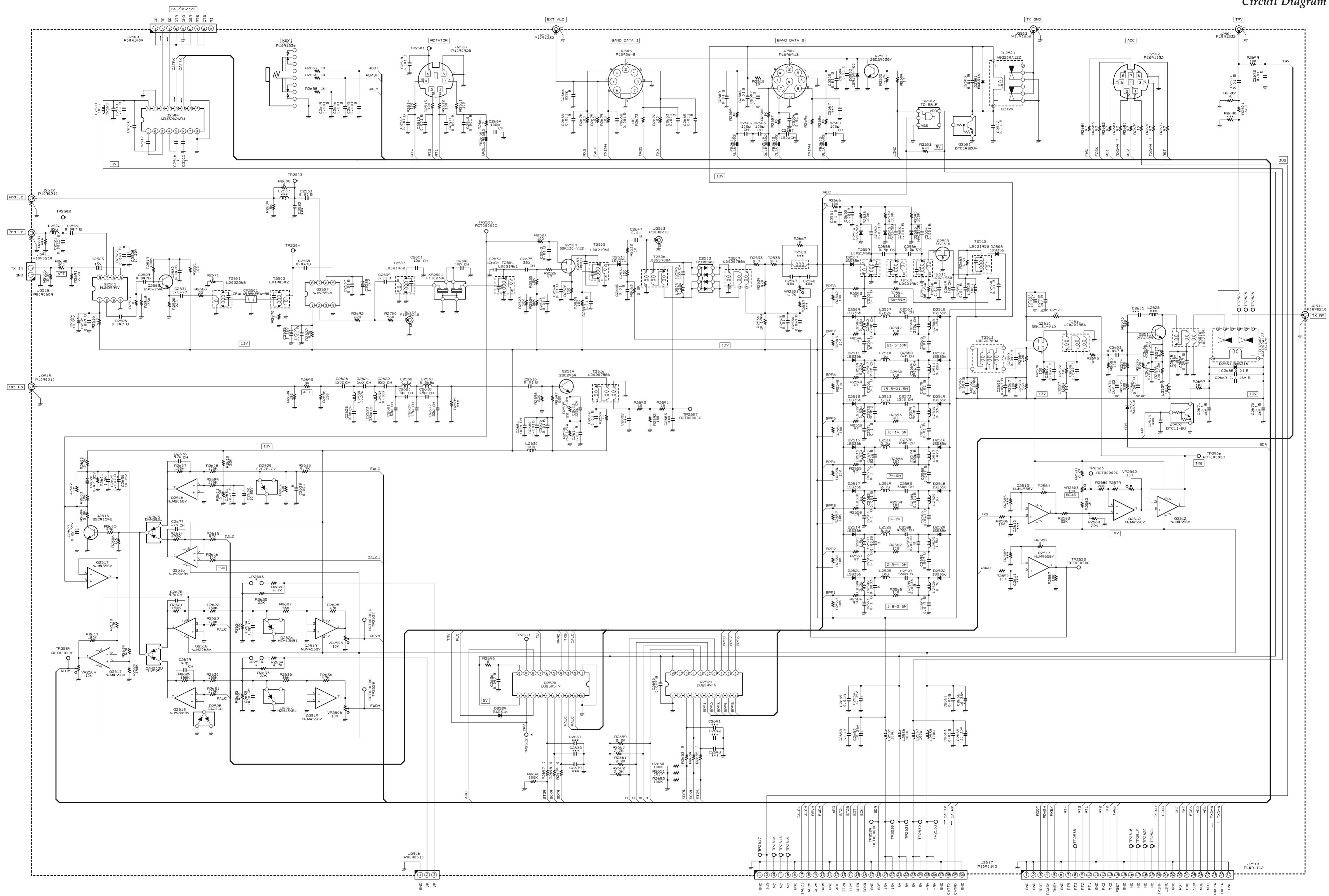
REF	DESCRIPTION	VALUE	V/W	TOL.	MFR'S DESIG	YAESU P/N	VERS.	LOT	SIDE	LAY ADR
R 2347	CHIP RES.	2.2k	1/16W	5%	RMC1/16 222JATP	J24185222		1-	A	C2
R 2348	CHIP RES.	3.3k	1/16W	5%	RMC1/16 332JATP	J24185332		1-	A	F3
R 2349	CHIP RES.	6.8k	1/16W	5%	RMC1/16 682JATP	J24185682		1-	A	F3
R 2350	CHIP RES.	6.8k	1/16W	5%	RMC1/16 682JATP	J24185682		1-	A	F3
R 2351	CHIP RES.	1k	1/16W	5%	RMC1/16 102JATP	J24185102		1-	A	F3
R 2352	CHIP RES.	47k	1/16W	5%	RMC1/16 473JATP	J24185473		1-	A	A3
R 2353	CHIP RES.	100k	1/16W	5%	RMC1/16 104JATP	J24185104		1-	A	A3
R 2354	CHIP RES.	100k	1/16W	5%	RMC1/16 104JATP	J24185104		1-	A	A3
R 2355	CHIP RES.	100k	1/16W	5%	RMC1/16 104JATP	J24185104		1-	A	A3
R 2358	CHIP RES.	100k	1/16W	5%	RMC1/16 104JATP	J24185104		1-	A	A3
R 2359	CHIP RES.	100k	1/16W	5%	RMC1/16 104JATP	J24185104		1-	A	A3
R 2360	CHIP RES.	100k	1/16W	5%	RMC1/16 104JATP	J24185104		1-	A	E3
R 2361	CHIP RES.	100k	1/16W	5%	RMC1/16 104JATP	J24185104		1-	A	E3
R 2362	CHIP RES.	100k	1/16W	5%	RMC1/16 104JATP	J24185104		1-	A	E3
R 2363	CHIP RES.	100k	1/16W	5%	RMC1/16 104JATP	J24185104		1-	A	E3
R 2364	CHIP RES.	100k	1/16W	5%	RMC1/16 104JATP	J24185104		1-	A	E3
R 2365	CHIP RES.	47k	1/16W	5%	RMC1/16 473JATP	J24185473		1-	A	E3
R 2366	CHIP RES.	47k	1/16W	5%	RMC1/16 473JATP	J24185473		1-	A	D3
R 2368	CHIP RES.	2.2k	1/4W	5%	RMC1/4 222JATP	J24245222		1-	A	G3
R 2369	CHIP RES.	22k	1/16W	5%	RMC1/16 223JATP	J24185223		1-	A	D2
R 2369	CHIP RES.	10k	1/16W	5%	RMC1/16 103JATP	J24185103		47-	A	D2
R 2370	CHIP RES.	100k	1/16W	5%	RMC1/16 104JATP	J24185104		1-	A	D2
R 2370	CHIP RES.	2.2k	1/16W	5%	RMC1/16 222JATP	J24185222		47-	A	D2
R 2371	CHIP RES.	100k	1/16W	5%	RMC1/16 104JATP	J24185104		1-	A	D2
R 2371	CHIP RES.	2.2k	1/16W	5%	RMC1/16 222JATP	J24185222		47-	A	D2
R 2372	CHIP RES.	330k	1/16W	5%	RMC1/16 334JATP	J24185334		1-	A	D2
R 2372	CHIP RES.	68k	1/16W	5%	RMC1/16 683JATP	J24185683		47-	A	D2
R 2373	CHIP RES.	330k	1/16W	5%	RMC1/16 334JATP	J24185334		1-	A	D2
R 2373	CHIP RES.	68k	1/16W	5%	RMC1/16 683JATP	J24185683		47-	A	D2
R 2374	CHIP RES.	1k	1/16W	5%	RMC1/16 102JATP	J24185102		1-	A	B1
R 2375	CHIP RES.	1k	1/16W	5%	RMC1/16 102JATP	J24185102		1-	A	B1
R 2376	CHIP RES.	1k	1/16W	5%	RMC1/16 102JATP	J24185102		1-	A	B1
R 2377	CHIP RES.	100	1/16W	5%	RMC1/16 101JATP	J24185101		1-	A	F3
R 2378	CHIP RES.	100	1/16W	5%	RMC1/16 101JATP	J24185101		1-	A	F2
R 2379	CHIP RES.	2.2k	1/16W	5%	RMC1/16 222JATP	J24185222		1-	A	F2
R 2380	CHIP RES.	2.2k	1/16W	5%	RMC1/16 222JATP	J24185222		1-	A	F2
R 2381	CHIP RES.	470k	1/16W	5%	RMC1/16 474JATP	J24185474		1-	A	F2
R 2382	CHIP RES.	22k	1/16W	5%	RMC1/16 223JATP	J24185223		2-	A	F3
R 2383	CHIP RES.	100k	1/16W	5%	RMC1/16 104JATP	J24185104		2-	A	F3
R 2384	CHIP RES.	47k	1/16W	5%	RMC1/16 473JATP	J24185473		2-	A	F3
R 2385	CHIP RES.	470k	1/16W	5%	RMC1/16 474JATP	J24185474		2-	A	F3
R 2386	CHIP RES.	0	1/16W	5%	RMC1/16 000JATP	J24185000		2-	A	F3
R 2387	CARBON FILM RES.	2.2k	1/6W	5%	RD16TPJ222 2.2K	J07225222		1-	A	F2
R 2387	CHIP RES.	2.2k	1/16W	5%	RMC1/16 222JATP	J24185222		4-	A	F2
R 2388	CHIP RES.	6.8k	1/16W	5%	RMC1/16 682JATP	J24185682		1-	A	E2
R 2389	CHIP RES.	47k	1/16W	5%	RMC1/16 473JATP	J24185473		2-	A	F1
R 2390	CHIP RES.	0	1/16W	5%	RMC1/16 000JATP	J24185000		4-	A	D3
R 2391	CHIP RES.	220k	1/16W	5%	RMC1/16 224JATP	J24185224		4-	A	D2
R 2391	CHIP RES.	100k	1/16W	5%	RMC1/16 104JATP	J24185104		47-	A	D2
R 2392	CHIP RES.	220k	1/16W	5%	RMC1/16 224JATP	J24185224		4-	A	D2
R 2392	CHIP RES.	100k	1/16W	5%	RMC1/16 104JATP	J24185104		47-	A	D2
R 2393	CHIP RES.	10k	1/16W	5%	RMC1/16 103JATP	J24185103		4-	A	D2
R 2393	CHIP RES.	33k	1/16W	5%	RMC1/16 333JATP	J24185333		47-	A	D2
R 2394	CHIP RES.	10k	1/16W	5%	RMC1/16 103JATP	J24185103		4-	A	D2
R 2394	CHIP RES.	33k	1/16W	5%	RMC1/16 333JATP	J24185333		47-	A	D2
R 2395	CARBON FILM RES.	10	1/6W	5%	RD16PJ100 10	J01225100		4-	A	E2
R 2395	CHIP RES.	10	1/16W	5%	RMC1/16 100JATP	J24185100		47-	A	E2
R 2396	CARBON FILM RES.	10	1/6W	5%	RD16PJ100 10	J01225100		4-	A	D2
R 2396	CHIP RES.	10	1/16W	5%	RMC1/16 100JATP	J24185100		47-	A	D2
R 2399	CHIP RES.	100k	1/16W	5%	RMC1/16 104JATP	J24185104		47-	A	C3
R 2400	CHIP RES.	68k	1/16W	5%	RMC1/16 683JATP	J24185683		47-	A	D2
R 2401	CHIP RES.	68k	1/16W	5%	RMC1/16 683JATP	J24185683		47-	A	D2
R 2402	CHIP RES.	100k	1/16W	5%	RMC1/16 104JATP	J24185104		47-	A	D2
R 2403	CHIP RES.	4.7k	1/16W	5%	RMC1/16 472JATP	J24185472		47-	A	D2
R 2404	CHIP RES.	4.7k	1/16W	5%	RMC1/16 472JATP	J24185472		47-	A	D2
R 2405	CHIP RES.	33k	1/16W	5%	RMC1/16 333JATP	J24185333		47-	A	D2
R 2406	CHIP RES.	33k	1/16W	5%	RMC1/16 333JATP	J24185333		47-	A	D2
R 2407	CHIP RES.	100k	1/16W	5%	RMC1/16 104JATP	J24185104		47-	A	A2
R 2408	CHIP RES.	22k	1/16W	5%	RMC1/16 223JATP	J24185223		47-	A	B3
R 2409	CHIP RES.	22k	1/16W	5%	RMC1/16 223JATP	J24185223		47-	A	B3
R 2410	CHIP RES.	180k	1/16W	5%	RMC1/16 184JATP	J24185184		47-	A	B2
R 2411	CHIP RES.	180k	1/16W	5%	RMC1/16 184JATP	J24185184		47-	A	C3
R 2412	CHIP RES.	15k	1/16W	5%	RMC1/16 153JATP	J24185153		47-	A	B3



# AF Unit

## Parts List

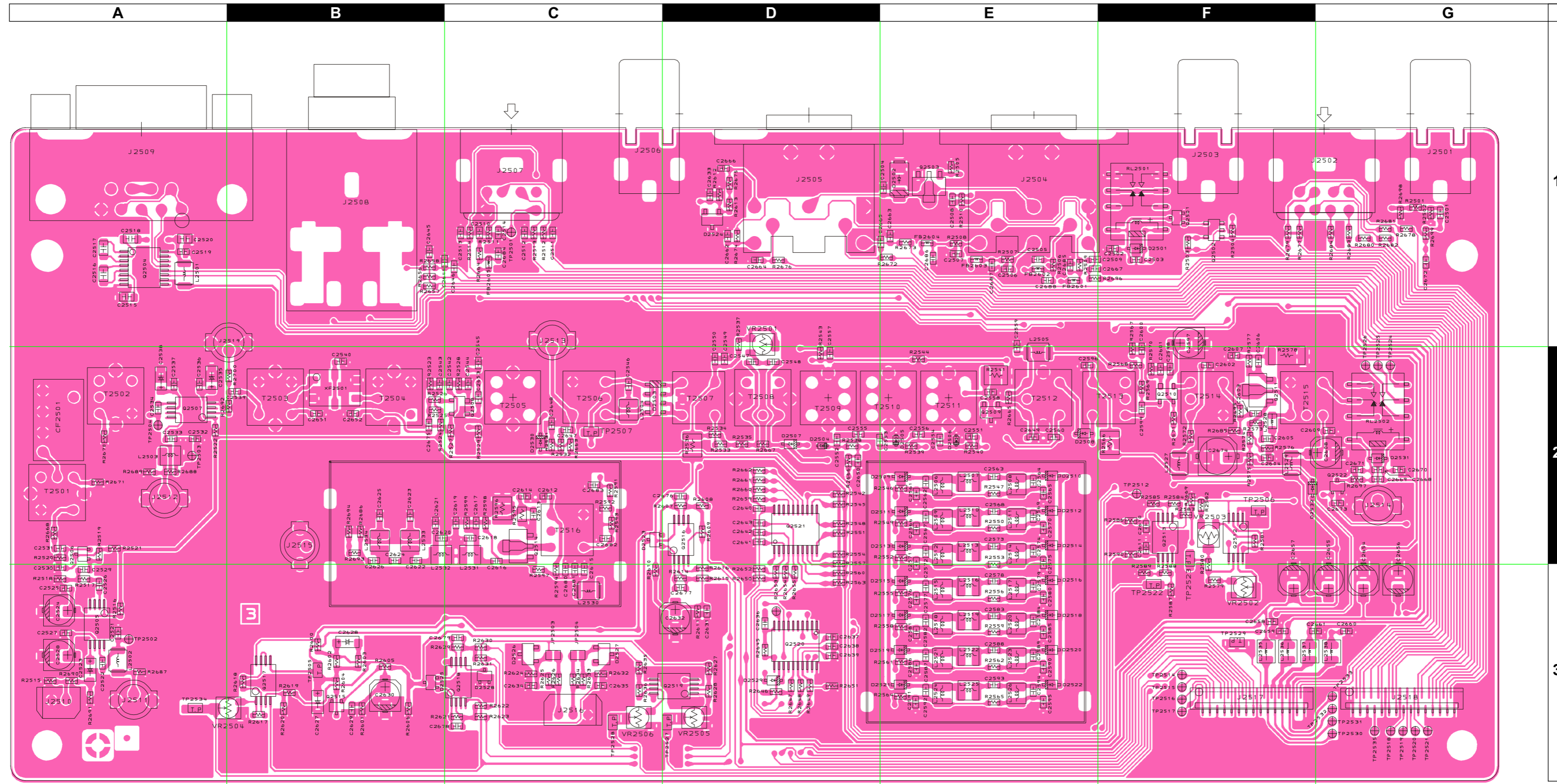
REF	DESCRIPTION	VALUE	V/W	TOL.	MFR'S DESIG	YAESU P/N	VERS.	LOT	SIDE	LAY ADR
R 2413	CHIP RES.	15k	1/16W	5%	RMC1/16 153JATP	J24185153		47-	A	C3
RL2001	RELAY		DC12V		AG4013 DC12V	M1190090		1-	A	D1
RL2001	RELAY		DC12V		AHY123 L01 DC12V	M1190149		17-	A	D1
RL2002	RELAY		DC12V		AG4013 DC12V	M1190090		1-	A	D1
RL2002	RELAY		DC12V		AHY123 L01 DC12V	M1190149		17-	A	D1
VR2001	POT.	10k			RH03A3A14X 10K	J51807103		1-	A	E3
VR2001	POT.	10k			TMC3A3A14X	J51838103		45-	A	E3
VR2003	POT.	1k			RH03A3A13X 1K	J51807102		1-	A	A2
VR2004	POT.	1k			RH03A3A13X 1K	J51807102		1-	A	A2
	HEATSINK PLATE				(AF)	RA0659200		1-		



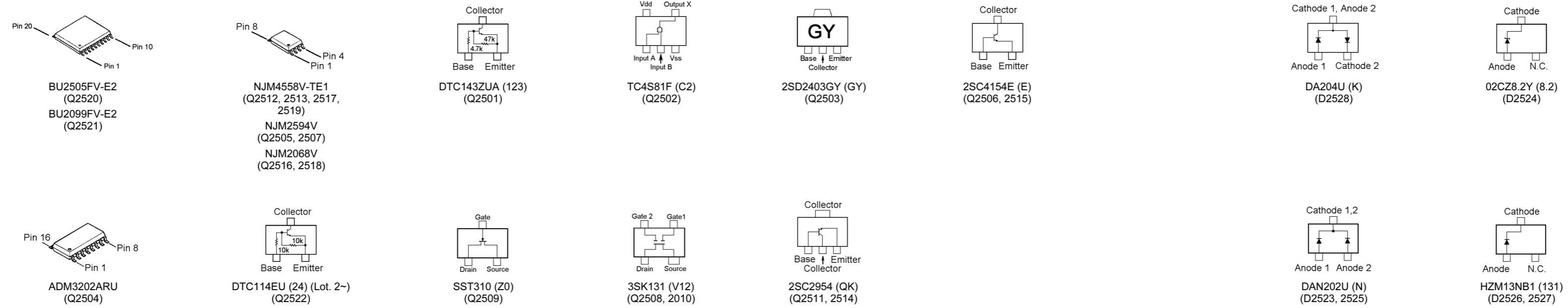
TO CNTL-UNIT (J5012)      TO CNTL-UNIT (J5016)

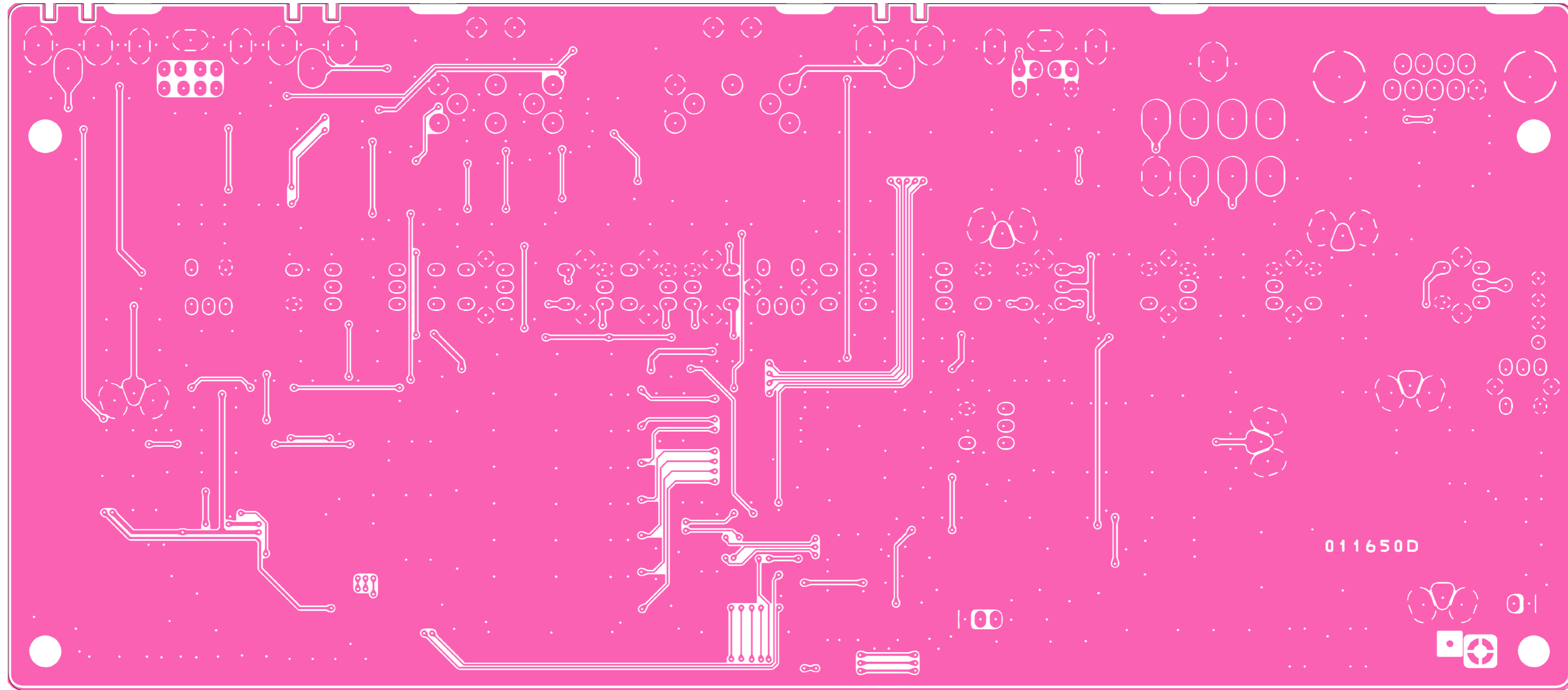
*TX Unit*

*Note*

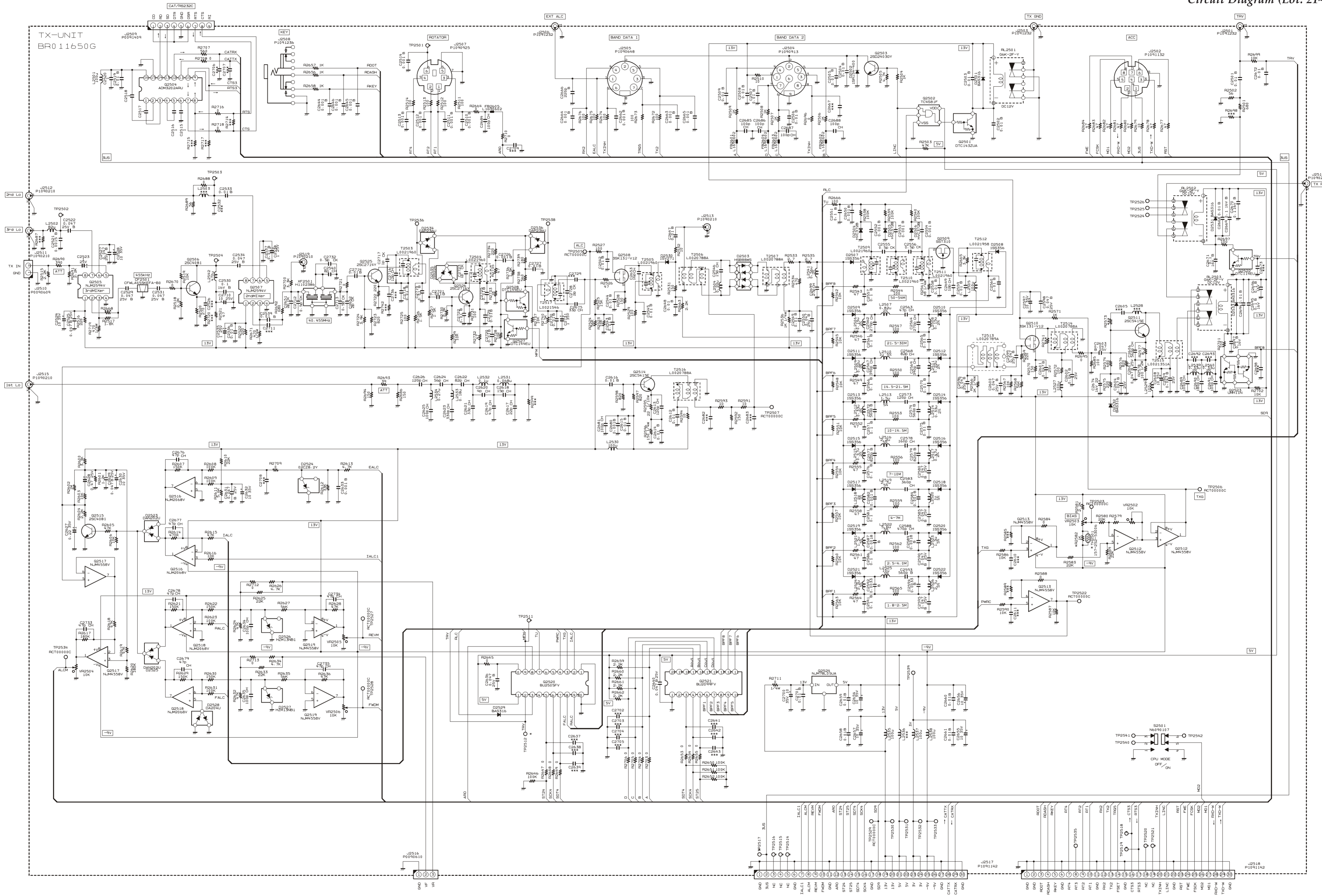


Side A





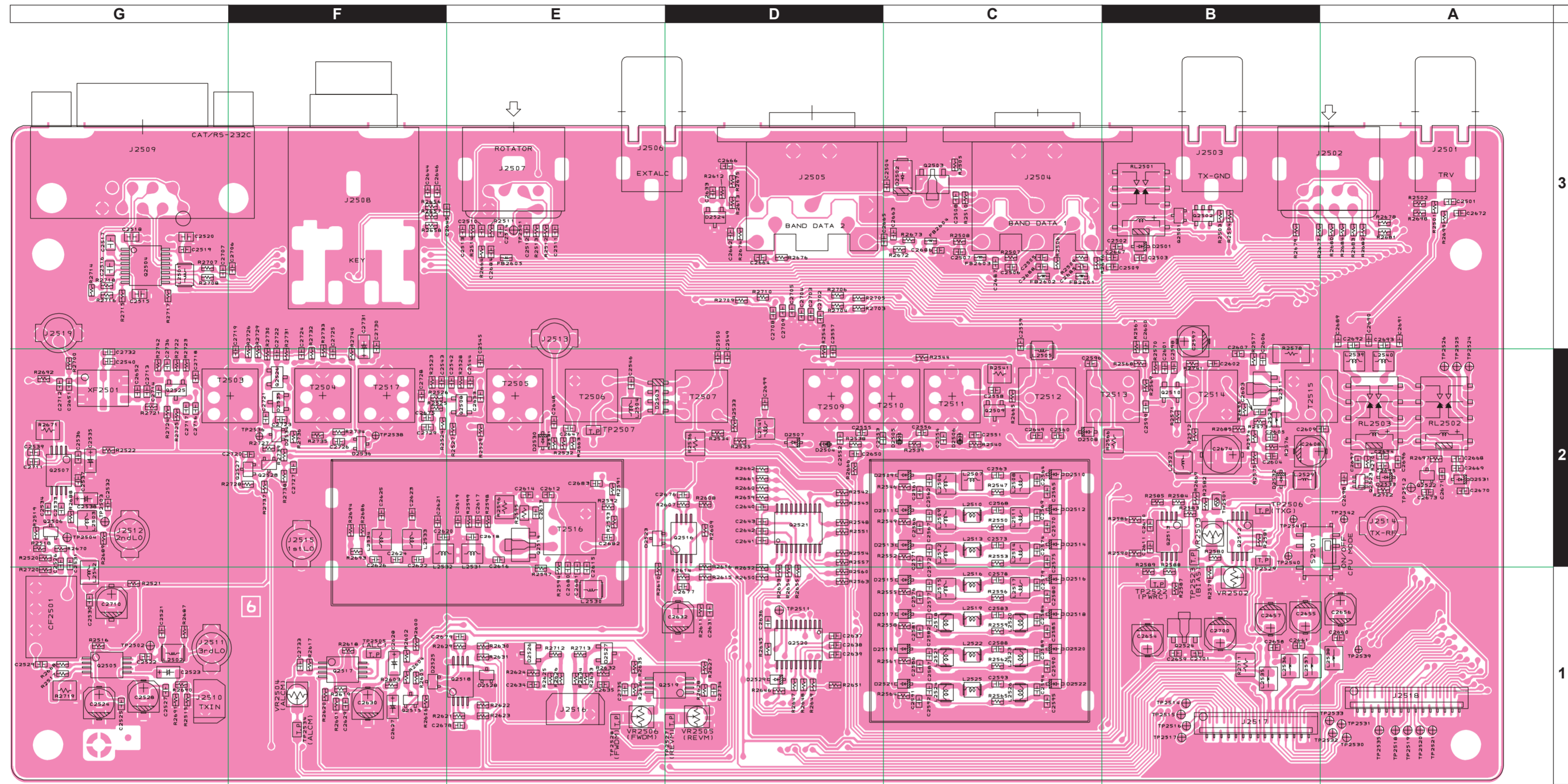
Side B



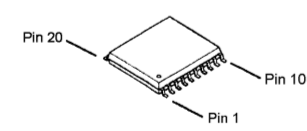
TO CNTL-UNIT (J5012)

TO CNTL-UNIT (J5016)

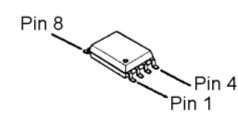




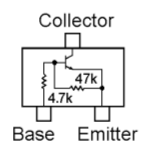
Side A



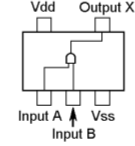
BU2505FV-E2 (Q2520)  
BU2099FV-E2 (Q2521)



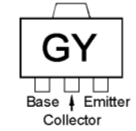
NJM4558V-TE1 (Q2512, 2513, 2517, 2519)  
NJM2594V (Q2505, 2507)  
NJM2068V (Q2516, 2518)



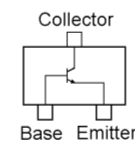
DTC143ZUA (123) (Q2501)



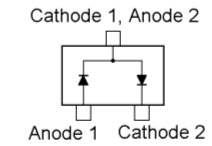
TC4S81F (C2) (Q2502)



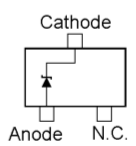
2SD2403GY (GY) (Q2503)



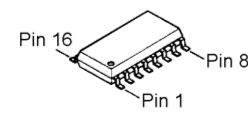
2SC4154E (E) (Q2506, 2515)



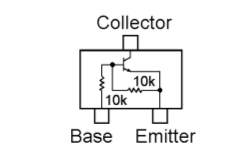
DA204U (K) (D2528)



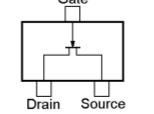
02CZ8.2Y (8.2) (D2524)



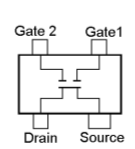
ADM3202ARU (Q2504)



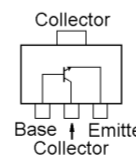
DTC114EU (24) (Lot. 2~) (Q2522)



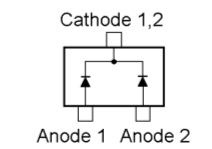
SST310 (Z0) (Q2509)



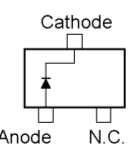
3SK131 (V12) (Q2508, 2010)



2SC2954 (QK) (Q2511, 2514)

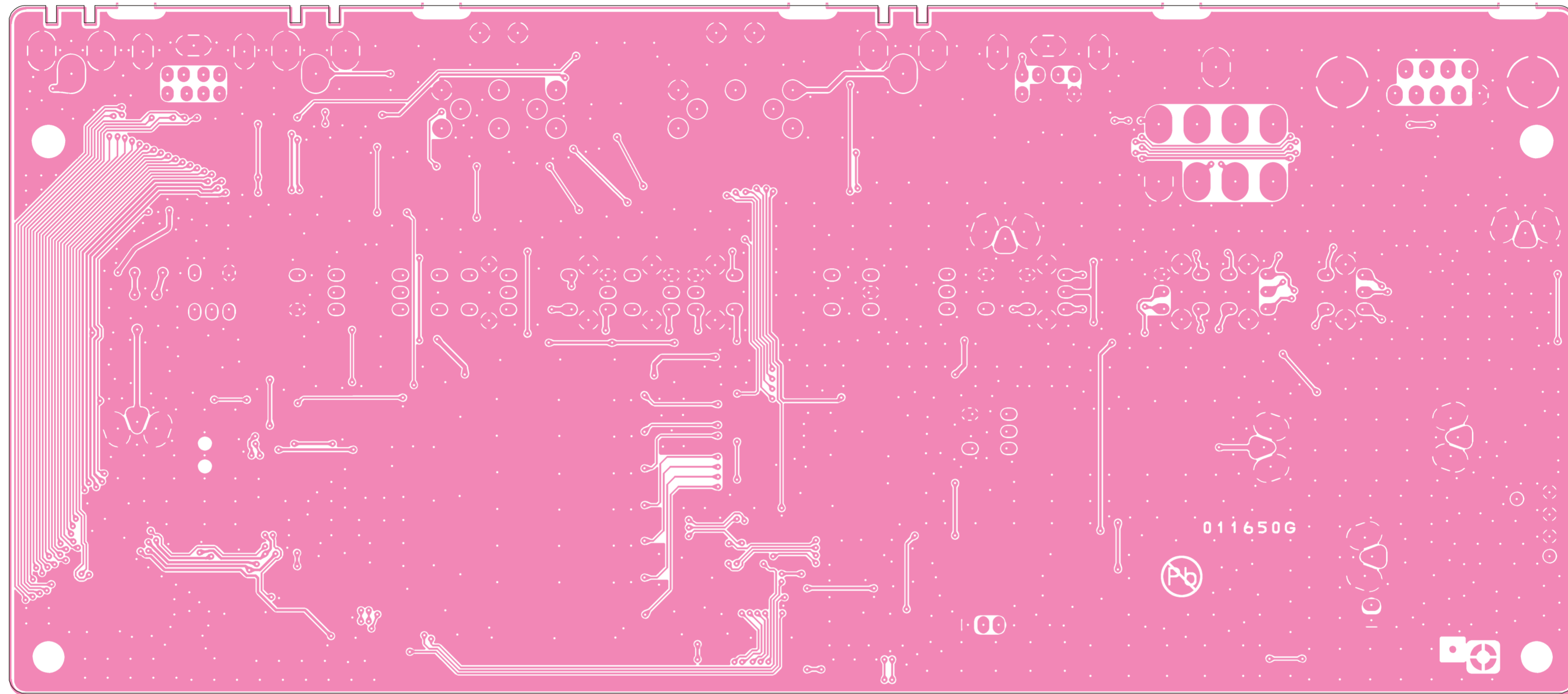


DAN202U (N) (D2523, 2525)



HZM13NB1 (131) (D2526, 2527)





Side B

REF	DESCRIPTION	VALUE	V/W	TOL.	MFR'S DESIG	VXSTD P/N	VERS.	LOT	SIDE	LAY ADR
PCB with Components						CB2741001	200W			
						CB2741002	400W			
						CB2741003	CE Type, 200W			
						CB2741004	CE Type, 400W			
Printed Circuit Board						FR011650B		1		
						FR011650C		2-		
						FR011650D		4-		
						FR011650E		10-		
						FR011650G		21-		
C 2501	CHIP CAP.	0.01uF	50V	B	GRM188B11H103KA01D	K22174823		1-	A	A3
C 2502	CHIP CAP.	0.01uF	50V	B	GRM188B11H103KA01D	K22174823		1-	A	B3
C 2503	CHIP CAP.	0.01uF	50V	B	GRM188B11H103KA01D	K22174823		1-	A	B2
C 2504	CHIP CAP.	0.01uF	50V	B	GRM188B11H103KA01D	K22174823		1-	A	C3
C 2505	CHIP CAP.	0.01uF	50V	B	GRM188B11H103KA01D	K22174823		1-	A	C2
C 2506	CHIP CAP.	0.01uF	50V	B	GRM188B11H103KA01D	K22174823		1-	A	C2
C 2507	CHIP CAP.	0.01uF	50V	B	GRM188B11H103KA01D	K22174823		1-	A	C2
C 2508	CHIP CAP.	0.01uF	50V	B	GRM188B11H103KA01D	K22174823		1-	A	C3
C 2509	CHIP CAP.	0.01uF	50V	B	GRM188B11H103KA01D	K22174823		1-	A	B2
C 2510	CHIP CAP.	0.001uF	50V	B	GRM188B11H102KA01D	K22174821		1-	A	E3
C 2511	CHIP CAP.	0.001uF	50V	B	GRM188B11H102KA01D	K22174821		1-	A	E3
C 2512	CHIP CAP.	0.001uF	50V	B	GRM188B11H102KA01D	K22174821		1-	A	E3
C 2513	CHIP CAP.	0.001uF	50V	B	GRM188B11H102KA01D	K22174821		1-	A	E3
C 2514	CHIP CAP.	0.001uF	50V	B	GRM188B11H102KA01D	K22174821		1-	A	E3
C 2515	CHIP CAP.	1uF	16V	B	GRM21BB11C105KA01L	K22120809		1-	A	G2
C 2516	CHIP CAP.	1uF	16V	B	GRM21BB11C105KA01L	K22120809		1-	A	G2
C 2517	CHIP CAP.	1uF	16V	B	GRM21BB11C105KA01L	K22120809		1-	A	G3
C 2518	CHIP CAP.	1uF	16V	B	GRM21BB11C105KA01L	K22120809		1-	A	G3
C 2519	CHIP CAP.	0.01uF	50V	B	GRM188B11H103KA01D	K22174823		1-	A	G2
C 2520	CHIP CAP.	1uF	16V	B	GRM21BB11C105KA01L	K22120809		1-	A	G3
C 2521	CHIP CAP.	0.0015uF	50V	B	GRM188B11H152KA01D	K22174827		1-	A	G1
C 2522	CHIP CAP.	0.047uF	16V	B	GRM39B473K16PT	K22124804		1-	A	G1
C 2522	CHIP CAP.	0.047uF	25V	B	GRM188B11E473KA01D	K22144811		27-	A	G1
C 2523	CHIP TA.CAP.	1uF	16V		TEESVA1C105M8R	K78120009		1-	A	G1
C 2523	CHIP TA.CAP.	1uF	25V		TEESVA1E105M8R	K78140013		21-	A	G1
C 2524	AL.ELECTRO.CAP.	10uF	35V		ECEV1VA100WR	K48160004		1-	A	G1
C 2524	AL.ELECTRO.CAP.	10uF	35V		EEE1VA100WR	K48160006		9-	A	G1
C 2525	CHIP CAP.	0.047uF	16V	B	GRM39B473K16PT	K22124804		1-	A	G1
C 2525	CHIP CAP.	0.047uF	25V	B	GRM188B11E473KA01D	K22144811		27-	A	G1
C 2526	CHIP CAP.	0.047uF	16V	B	GRM39B473K16PT	K22124804		1-20	A	G1
C 2527	CHIP CAP.	0.047uF	16V	B	GRM39B473K16PT	K22124804		1-	A	G1
C 2527	CHIP CAP.	0.047uF	25V	B	GRM188B11E473KA01D	K22144811		27-	A	G1
C 2528	AL.ELECTRO.CAP.	10uF	35V		ECEV1VA100WR	K48160004		1-	A	G1
C 2528	AL.ELECTRO.CAP.	10uF	35V		EEE1VA100WR	K48160006		9-	A	G1
C 2529	CHIP CAP.	0.047uF	16V	B	GRM39B473K16PT	K22124804		1-	A	G1
C 2529	CHIP CAP.	0.047uF	25V	B	GRM188B11E473KA01D	K22144811		27-	A	G1
C 2530	CHIP CAP.	0.047uF	16V	B	GRM39B473K16PT	K22124804		1-	A	G1
C 2530	CHIP CAP.	0.1uF	16V	B	GRM188B11C104KA01D	K22124805		21-	A	G1
C 2531	CHIP CAP.	0.047uF	16V	B	GRM39B473K16PT	K22124804		1-	A	G1
C 2531	CHIP CAP.	0.047uF	25V	B	GRM188B11E473KA01D	K22144811		27-	A	G1
C 2533	CHIP CAP.	0.01uF	50V	B	GRM188B11H103KA01D	K22174823		1-	A	G2
C 2534	CHIP CAP.	0.047uF	16V	B	GRM39B473K16PT	K22124804		1-	A	G2
C 2534	CHIP CAP.	0.047uF	25V	B	GRM188B11E473KA01D	K22144811		27-	A	G2
C 2535	CHIP TA.CAP.	1uF	16V		TEESVA1C105M8R	K78120009		1-	A	F2
C 2535	CHIP TA.CAP.	1uF	25V		TEESVA1E105M8R	K78140013		21-	A	F2
C 2536	CHIP CAP.	0.01uF	50V	B	GRM188B11H103KA01D	K22174823		1-	A	F2
C 2537	CHIP CAP.	0.01uF	50V	B	GRM188B11H103KA01D	K22174823		1-	A	G2
C 2538	CHIP TA.CAP.	1uF	16V		TEESVA1C105M8R	K78120009		1-	A	G2
C 2538	CHIP TA.CAP.	1uF	25V		TEESVA1E105M8R	K78140013		21-	A	G2
C 2539	CHIP CAP.	0.01uF	50V	B	GRM188B11H103KA01D	K22174823		1-	A	F2
C 2540	CHIP CAP.	10pF	50V	CH	GRM1882C1H100JA01D	K22174211		1-	A	F2
C 2540	CHIP CAP.	8pF	50V	CH	GRM1882C1H8R0DZ01D	K22174209		21-	A	F2
C 2542	CHIP CAP.	0.01uF	50V	B	GRM188B11H103KA01D	K22174823		1-	A	E2
C 2543	CHIP CAP.	0.01uF	50V	B	GRM188B11H103KA01D	K22174823		1-	A	E2
C 2544	CHIP CAP.	0.01uF	50V	B	GRM188B11H103KA01D	K22174823		1-	A	E2
C 2545	CHIP CAP.	0.01uF	50V	B	GRM188B11H103KA01D	K22174823		1-	A	E2
C 2546	CHIP CAP.	15pF	50V	CH	GRM1882C1H150JA01D	K22174215		1-	A	D2
C 2549	CHIP CAP.	0.01uF	50V	B	GRM188B11H103KA01D	K22174823		1-	A	D2
C 2550	CHIP CAP.	0.047uF	16V	B	GRM39B473K16PT	K22124804		1-	A	D2
C 2550	CHIP CAP.	0.047uF	25V	B	GRM188B11E473KA01D	K22144811		27-	A	D2
C 2551	CHIP CAP.	0.1uF	16V	B	GRM188B11C104KA01D	K22124805		1-	A	C2
C 2552	CHIP CAP.	0.001uF	50V	B	GRM188B11H102KA01D	K22174821		1-	A	D2
C 2553	CHIP CAP.	0.001uF	50V	B	GRM188B11H102KA01D	K22174821		1-	A	C2
C 2554	CHIP CAP.	0.001uF	50V	B	GRM188B11H102KA01D	K22174821		1-	A	C2

# TXUnit

## Parts List

REF	DESCRIPTION	VALUE	V/W	TOL.	MFR'S DESIG	VXSTD P/N	VERS.	LOT	SIDE	LAY ADR
C 2555	CHIP CAP.	0.5pF	50V	CK	GRM1884C1HR50CZ01D	K22174201		1-	A	C2
C 2556	CHIP CAP.	0.5pF	50V	CK	GRM1884C1HR50CZ01D	K22174201		1-	A	C2
C 2557	CHIP CAP.	0.1uF	16V	B	GRM188B11C104KA01D	K22124805		1-	A	D2
C 2558	CHIP CAP.	0.01uF	50V	B	GRM188B11H103KA01D	K22174823		1-	A	C2
C 2559	CHIP CAP.	0.01uF	50V	B	GRM188B11H103KA01D	K22174823		1-	A	C2
C 2560	CHIP CAP.	0.01uF	50V	B	GRM188B11H103KA01D	K22174823		1-	A	C2
C 2561	CHIP CAP.	0.1uF	16V	B	GRM188B11C104KA01D	K22124805		1-	A	C1
C 2562	CHIP CAP.	270pF	50V	CH	GRM1882C1H271JA01D	K22174251		1-	A	C1
C 2563	CHIP CAP.	47pF	50V	CH	GRM1882C1H470JA01D	K22174227		1-	A	C1
C 2564	CHIP CAP.	270pF	50V	CH	GRM1882C1H271JA01D	K22174251		1-	A	C1
C 2565	CHIP CAP.	0.01uF	50V	B	GRM188B11H103KA01D	K22174823		1-	A	C1
C 2566	CHIP CAP.	0.1uF	16V	B	GRM188B11C104KA01D	K22124805		1-	A	C1
C 2567	CHIP CAP.	390pF	50V	CH	GRM1882C1H391JA01D	K22174255		1-	A	C1
C 2568	CHIP CAP.	82pF	50V	CH	GRM1882C1H820JA01D	K22174233		1-	A	C1
C 2569	CHIP CAP.	390pF	50V	CH	GRM1882C1H391JA01D	K22174255		1-	A	C1
C 2570	CHIP CAP.	0.01uF	50V	B	GRM188B11H103KA01D	K22174823		1-	A	C1
C 2571	CHIP CAP.	0.1uF	16V	B	GRM188B11C104KA01D	K22124805		1-	A	C1
C 2572	CHIP CAP.	560pF	50V	B	GRM188B11H561KA01D	K22174806		1-	A	C1
C 2573	CHIP CAP.	120pF	50V	CH	GRM1882C1H121JA01D	K22174237		1-	A	C1
C 2574	CHIP CAP.	560pF	50V	B	GRM188B11H561KA01D	K22174806		1-	A	C1
C 2575	CHIP CAP.	0.01uF	50V	B	GRM188B11H103KA01D	K22174823		1-	A	C1
C 2576	CHIP CAP.	0.1uF	16V	B	GRM188B11C104KA01D	K22124805		1-	A	C1
C 2577	CHIP CAP.	820pF	50V	B	GRM188B11H821KA01D	K22174808		1-	A	C1
C 2578	CHIP CAP.	160pF	50V	CH	GRM1882C1H161JZ01D	K22174240		1-	A	C1
C 2579	CHIP CAP.	820pF	50V	B	GRM188B11H821KA01D	K22174808		1-	A	C1
C 2580	CHIP CAP.	0.047uF	16V	B	GRM39B473K16PT	K22124804		1-	A	C1
C 2580	CHIP CAP.	0.047uF	25V	B	GRM188B11E473KA01D	K22144811		27-	A	C1
C 2581	CHIP CAP.	0.1uF	16V	B	GRM188B11C104KA01D	K22124805		1-	A	C1
C 2582	CHIP CAP.	0.001uF	50V	B	GRM188B11H102KA01D	K22174821		1-	A	C1
C 2583	CHIP CAP.	360pF	50V	CH	GRM1882C1H361JA01D	K22174254		1-	A	C1
C 2583	CHIP CAP.	360pF	50V	CH	MCH185A361JK	K22174271		7-	A	C1
C 2583	CHIP CAP.	360pF	50V	CH	MCH185A361JK	K22174271		30-	A	C1
C 2584	CHIP CAP.	0.001uF	50V	B	GRM188B11H102KA01D	K22174821		1-	A	C1
C 2585	CHIP CAP.	0.047uF	16V	B	GRM39B473K16PT	K22124804		1-	A	C1
C 2585	CHIP CAP.	0.047uF	25V	B	GRM188B11E473KA01D	K22144811		27-	A	C1
C 2586	CHIP CAP.	0.1uF	16V	B	GRM188B11C104KA01D	K22124805		1-	A	C1
C 2587	CHIP CAP.	0.0018uF	50V	B	GRM188B11H182KA01D	K22174828		1-	A	C1
C 2588	CHIP CAP.	470pF	50V	CH	GRM1882C1H471JA01D	K22174249		1-	A	C1
C 2589	CHIP CAP.	0.0018uF	50V	B	GRM188B11H182KA01D	K22174828		1-	A	C1
C 2590	CHIP CAP.	0.047uF	16V	B	GRM39B473K16PT	K22124804		1-	A	C1
C 2590	CHIP CAP.	0.047uF	25V	B	GRM188B11E473KA01D	K22144811		27-	A	C1
C 2591	CHIP CAP.	0.1uF	16V	B	GRM188B11C104KA01D	K22124805		1-	A	C1
C 2592	CHIP CAP.	0.0033uF	50V	B	GRM188B11H332KA01D	K22174831		1-	A	C1
C 2593	CHIP CAP.	560pF	50V	B	GRM188B11H561KA01D	K22174806		1-	A	C1
C 2594	CHIP CAP.	0.0033uF	50V	B	GRM188B11H332KA01D	K22174831		1-	A	C1
C 2595	CHIP CAP.	0.047uF	16V	B	GRM39B473K16PT	K22124804		1-	A	C1
C 2595	CHIP CAP.	0.047uF	25V	B	GRM188B11E473KA01D	K22144811		27-	A	C1
C 2596	CHIP CAP.	0.047uF	16V	B	GRM39B473K16PT	K22124804		1-	A	B2
C 2596	CHIP CAP.	0.047uF	25V	B	GRM188B11E473KA01D	K22144811		27-	A	B2
C 2597	AL.ELECTRO.CAP.	10uF	35V		ECEV1VA100WR	K48160004		1-	A	B2
C 2597	AL.ELECTRO.CAP.	10uF	35V		EEE1VA100WR	K48160006		9-	A	B2
C 2598	CHIP CAP.	0.047uF	16V	B	GRM39B473K16PT	K22124804		1-	A	B2
C 2598	CHIP CAP.	0.047uF	25V	B	GRM188B11E473KA01D	K22144811		27-	A	B2
C 2599	CHIP CAP.	0.047uF	16V	B	GRM39B473K16PT	K22124804		1-	A	B2
C 2599	CHIP CAP.	0.047uF	25V	B	GRM188B11E473KA01D	K22144811		27-	A	B2
C 2600	CHIP CAP.	0.047uF	16V	B	GRM39B473K16PT	K22124804		1-	A	B2
C 2600	CHIP CAP.	0.047uF	25V	B	GRM188B11E473KA01D	K22144811		27-	A	B2
C 2601	CHIP CAP.	0.047uF	16V	B	GRM39B473K16PT	K22124804		1-	A	B2
C 2601	CHIP CAP.	0.047uF	25V	B	GRM188B11E473KA01D	K22144811		27-	A	B2
C 2602	CHIP CAP.	0.047uF	16V	B	GRM39B473K16PT	K22124804		1-	A	B2
C 2602	CHIP CAP.	0.047uF	25V	B	GRM188B11E473KA01D	K22144811		27-	A	B2
C 2603	CHIP CAP.	0.047uF	16V	B	GRM39B473K16PT	K22124804		1-	A	B2
C 2603	CHIP CAP.	0.047uF	25V	B	GRM188B11E473KA01D	K22144811		27-	A	B2
C 2604	CHIP CAP.	0.047uF	16V	B	GRM39B473K16PT	K22124804		1-	A	B2
C 2604	CHIP CAP.	0.047uF	25V	B	GRM188B11E473KA01D	K22144811		27-	A	B2
C 2606	CHIP CAP.	560pF	25V	CH	GRM39CH561J25PT	K22144201		1-	A	B2
C 2606	CHIP CAP.	560pF	50V	CH	GRM1882C1H561JA01D	K22174273		27-	A	B2
C 2607	CHIP CAP.	0.047uF	16V	B	GRM39B473K16PT	K22124804		1-	A	B2
C 2607	CHIP CAP.	0.047uF	25V	B	GRM188B11E473KA01D	K22144811		27-	A	B2
C 2608	AL.ELECTRO.CAP.	10uF	35V		ECEV1VA100WR	K48160004		1-	A	A2
C 2608	AL.ELECTRO.CAP.	10uF	35V		EEE1VA100WR	K48160006		9-	A	A2
C 2609	CHIP CAP.	0.047uF	16V	B	GRM39B473K16PT	K22124804		1-	A	A2
C 2609	CHIP CAP.	0.047uF	25V	B	GRM188B11E473KA01D	K22144811		27-	A	A2

REF	DESCRIPTION	VALUE	V/W	TOL.	MFR'S DESIG	VXSTD P/N	VERS.	LOT	SIDE	LAY ADR
C 2612	CHIP CAP.	0.01uF	50V	B	GRM188B11H103KA01D	K22174823		1-	A	E1
C 2613	CHIP CAP.	120pF	50V	CH	GRM1882C1H121JA01D	K22174237		1-	A	E1
C 2614	CHIP CAP.	0.01uF	50V	B	GRM188B11H103KA01D	K22174823		1-	A	E1
C 2615	CHIP CAP.	0.01uF	50V	B	GRM188B11H103KA01D	K22174823		1-	A	E1
C 2616	CHIP CAP.	0.01uF	50V	B	GRM188B11H103KA01D	K22174823		1-	A	E1
C 2617	CHIP CAP.	22pF	50V	CH	GRM1882C1H220JA01D	K22174219		1-	A	E1
C 2618	CHIP CAP.	15pF	50V	CH	GRM1882C1H150JA01D	K22174215		1-	A	E1
C 2619	CHIP CAP.	47pF	50V	CH	GRM1882C1H470JA01D	K22174227		1-	A	E1
C 2620	CHIP CAP.	4pF	50V	CH	GRM1882C1H4R0CZ01D	K22174205		1-	A	E1
C 2621	CHIP CAP.	33pF	50V	CH	GRM1882C1H330JA01D	K22174223		1-	A	E1
C 2622	CHIP CAP.	82pF	50V	CH	GRM1882C1H820JA01D	K22174233		1-	A	E1
C 2623	CHIP CAP.	330pF	50V	CH	GRM1882C1H331JA01D	K22174253		1-	A	E1
C 2624	CHIP CAP.	56pF	50V	CH	GRM1882C1H560JA01D	K22174229		1-	A	F1
C 2625	CHIP CAP.	100pF	50V	CH	GRM1882C1H101JA01D	K22174235		1-	A	F1
C 2626	CHIP CAP.	120pF	50V	CH	GRM1882C1H121JA01D	K22174237		1-	A	F1
C 2627	CHIP TA.CAP.	0.22uF	35V		TEESVA1V224M8R	K78160027		1-	A	F1
C 2628	CHIP TA.CAP.	0.47uF	25V		TEESVA1E474M8R	K78140009		1-	A	F1
C 2629	CHIP CAP.	0.047uF	16V	B	GRM39B473K16PT	K22124804		1-	A	F1
C 2629	CHIP CAP.	0.047uF	25V	B	GRM188B11E473KA01D	K22144811		27-	A	F1
C 2630	AL.ELECTRO.CAP.	10uF	35V		ECEV1VA100WR	K48160004		1-	A	F1
C 2630	AL.ELECTRO.CAP.	10uF	35V		EEE1VA100WR	K48160006		9-	A	F1
C 2631	CHIP CAP.	0.047uF	16V	B	GRM39B473K16PT	K22124804		1-	A	D1
C 2631	CHIP CAP.	0.047uF	25V	B	GRM188B11E473KA01D	K22144811		27-	A	D1
C 2632	AL.ELECTRO.CAP.	10uF	35V		ECEV1VA100WR	K48160004		1-	A	D1
C 2632	AL.ELECTRO.CAP.	10uF	35V		EEE1VA100WR	K48160006		9-	A	D1
C 2633	CHIP CAP.	0.001uF	50V	B	GRM188B11H102KA01D	K22174821		1-	A	D3
C 2634	CHIP CAP.	100pF	50V	CH	GRM1882C1H101JA01D	K22174235		1-	A	E1
C 2635	CHIP CAP.	100pF	50V	CH	GRM1882C1H101JA01D	K22174235		1-	A	E1
C 2636	CHIP CAP.	0.047uF	16V	B	GRM39B473K16PT	K22124804		1-	A	D1
C 2636	CHIP CAP.	0.047uF	25V	B	GRM188B11E473KA01D	K22144811		27-	A	D1
C 2640	CHIP CAP.	0.047uF	16V	B	GRM39B473K16PT	K22124804		1-	A	D1
C 2640	CHIP CAP.	0.047uF	25V	B	GRM188B11E473KA01D	K22144811		27-	A	D1
C 2644	CHIP CAP.	0.001uF	50V	B	GRM188B11H102KA01D	K22174821		1-	A	E2
C 2645	CHIP CAP.	0.001uF	50V	B	GRM188B11H102KA01D	K22174821		1-	A	E2
C 2646	CHIP CAP.	0.001uF	50V	B	GRM188B11H102KA01D	K22174821		1-	A	E2
C 2647	CHIP CAP.	0.01uF	50V	B	GRM188B11H103KA01D	K22174823		1-	A	E2
C 2648	CHIP CAP.	0.01uF	50V	B	GRM188B11H103KA01D	K22174823		1-	A	E2
C 2649	CHIP CAP.	12pF	50V	CH	GRM1882C1H120JA01D	K22174213		1-	A	C2
C 2650	CHIP CAP.	0.001uF	50V	B	GRM188B11H102KA01D	K22174821		1-	A	C2
C 2651	CHIP CAP.	12pF	50V	CH	GRM1882C1H120JA01D	K22174213		1-	A	F2
C 2651	CHIP CAP.	2pF	50V	CK	GRM1884C1H2R0CZ01D	K22174203		21-	A	F2
C 2652	CHIP CAP.	12pF	50V	CH	GRM1882C1H120JA01D	K22174213		1-	A	F2
C 2652	CHIP CAP.	2pF	50V	CK	GRM1884C1H2R0CZ01D	K22174203		21-	A	F2
C 2653	CHIP CAP.	16pF	50V	CH	GRM1882C1H160JZ01D	K22174216		1-	A	E2
C 2654	AL.ELECTRO.CAP.	10uF	35V		ECEV1VA100WR	K48160004		1-	A	A1
C 2654	AL.ELECTRO.CAP.	10uF	35V		EEE1VA100WR	K48160006		9-	A	A1
C 2655	AL.ELECTRO.CAP.	10uF	35V		ECEV1VA100WR	K48160004		1-	A	A1
C 2655	AL.ELECTRO.CAP.	10uF	35V		EEE1VA100WR	K48160006		9-	A	A1
C 2656	AL.ELECTRO.CAP.	10uF	35V		ECEV1VA100WR	K48160004		1-	A	A1
C 2656	AL.ELECTRO.CAP.	10uF	35V		EEE1VA100WR	K48160006		9-	A	A1
C 2657	AL.ELECTRO.CAP.	10uF	35V		ECEV1VA100WR	K48160004		1-	A	A1
C 2657	AL.ELECTRO.CAP.	10uF	35V		EEE1VA100WR	K48160006		9-	A	A1
C 2658	CHIP CAP.	0.01uF	50V	B	GRM188B11H103JA01D	K22174824		1-	A	B1
C 2659	CHIP CAP.	0.01uF	50V	B	GRM188B11H103JA01D	K22174824		1-	A	A1
C 2660	CHIP CAP.	0.01uF	50V	B	GRM188B11H103JA01D	K22174824		1-	A	A1
C 2661	CHIP CAP.	0.01uF	50V	B	GRM188B11H103JA01D	K22174824		1-	A	A1
C 2662	CHIP CAP.	0.001uF	50V	B	GRM188B11H102KA01D	K22174821		1-	A	D3
C 2663	CHIP CAP.	0.001uF	50V	B	GRM188B11H102KA01D	K22174821		1-	A	C3
C 2664	CHIP CAP.	0.001uF	50V	B	GRM188B11H102KA01D	K22174821		1-	A	D2
C 2665	CHIP CAP.	0.001uF	50V	B	GRM188B11H102KA01D	K22174821		1-	A	C3
C 2666	CHIP CAP.	220pF	50V	B	GRM188B11H221KA01D	K22174801		1-	A	D3
C 2668	CHIP CAP.	0.01uF	50V	B	GRM188B11H103KA01D	K22174823		2-	A	A1
C 2669	CHIP CAP.	0.1uF	16V	B	GRM188B11C104KA01D	K22124805		2-	A	A1
C 2670	CHIP CAP.	0.1uF	16V	B	GRM188B11C104KA01D	K22124805		2-	A	A1
C 2671	CHIP CAP.	0.1uF	16V	B	GRM188B11C104KA01D	K22124805		2-	A	A1
C 2672	CHIP CAP.	0.01uF	50V	B	GRM188B11H103KA01D	K22174823		2-	A	A2
C 2674	AL.ELECTRO.CAP.	22uF	16V		RC2-16V220ME1#	K40129013		1	A	B2
C 2674	AL.ELECTRO.CAP.	22uF	16V		ECEV1CA220SR	K48120002		2-	A	B2
C 2674	AL.ELECTRO.CAP.	22uF	16V		EEE1CA220SR	K48120024		9-	A	B2
C 2675	CERAMIC CAP.	33pF	50V	SL	UP050SL330J-A-B	K28179030		1-	A	E2
C 2675	CHIP CAP.	33pF	50V	CH	GRM1882C1H330JA01D	K22174223		4-	A	E2
C 2676	CHIP CAP.	47pF	50V	CH	GRM1882C1H470JA01D	K22174227		1-	A	D1
C 2677	CHIP CAP.	47pF	50V	CH	GRM1882C1H470JA01D	K22174227		1-	A	D1

# TXUnit

## Parts List

REF	DESCRIPTION	VALUE	V/W	TOL.	MFR'S DESIG	VXSTD P/N	VERS.	LOT	SIDE	LAY ADR
C 2678	CHIP CAP.	47pF	50V	CH	GRM1882C1H470JA01D	K22174227		1-	A	E1
C 2679	CHIP CAP.	47pF	50V	CH	GRM1882C1H470JA01D	K22174227		1-	A	E1
C 2680	CHIP CAP.	0.001uF	50V	B	GRM188B11H102KA01D	K22174821		4-	A	E1
C 2681	CHIP CAP.	100pF	50V	CH	GRM1882C1H101JA01D	K22174235		4-	A	E1
C 2684	CHIP CAP.	100pF	50V	CH	GRM1882C1H101JA01D	K22174235		4-	A	E2
C 2685	CHIP CAP.	100pF	50V	CH	GRM1882C1H101JA01D	K22174235		4-	A	B2
C 2686	CHIP CAP.	100pF	50V	CH	GRM1882C1H101JA01D	K22174235		4-	A	C2
C 2687	CHIP CAP.	100pF	50V	CH	GRM1882C1H101JA01D	K22174235		4-	A	C2
C 2688	CHIP CAP.	100pF	50V	CH	GRM1882C1H101JA01D	K22174235		4-	A	C2
C 2689	CERAMIC CAP.	12pF	50V	CH	CHU5 120J6	K02179103		3		
C 2689	CERAMIC CAP.	12pF	50V	CH	CHU5 120J6	K02179103		4-		
C 2689	CHIP CAP.	100pF	50V	CH	GRM1882C1H101JA01D	K22174235		10-		
C 2690	CHIP CAP.	180pF	50V	CH	GRM1882C1H181JA01D	K22174241		10-		
C 2691	CHIP CAP.	100pF	50V	CH	GRM1882C1H101JA01D	K22174235		10-		
C 2694	CHIP CAP.	0.01uF	50V	B	GRM188B11H103KA01D	K22174823		10-		
C 2695	CHIP CAP.	0.1uF	16V	B	GRM188B11C104KA01D	K22124805		10-		
C 2696	CHIP CAP.	0.1uF	16V	B	GRM188B11C104KA01D	K22124805		10-		
C 2697	CHIP CAP.	0.1uF	16V	B	GRM188B11C104KA01D	K22124805		10-		
C 2699	CHIP CAP.	27pF	50V	CH	GRM1882C1H270JA01D	K22174221		10-		
C 2700	AL.ELECTRO.CAP.	10uF	35V		EEE1VA100WR	K48160006		10-		
C 2701	CHIP CAP.	0.01uF	50V	B	GRM188B11H103JA01D	K22174824		10-		
C 2710	AL.ELECTRO.CAP.	10uF	25V		EMVA250ADA100MD55G	K48140014		21-		
C 2712	CHIP CAP.	0.5pF	50V	CK	GRM1884C1HR50CZ01D	K22174201		21-		
C 2713	CHIP CAP.	0.5pF	50V	CK	GRM1884C1HR50CZ01D	K22174201		21-		
C 2714	CHIP CAP.	0.01uF	50V	B	GRM188B11H103KA01D	K22174823		21-		
C 2716	CHIP CAP.	12pF	50V	CH	GRM1882C1H120JA01D	K22174213		21-		
C 2717	CHIP CAP.	1pF	50V	CK	GRM1884C1H1R0CZ01D	K22174202		21-		
C 2718	CHIP CAP.	0.01uF	50V	B	GRM188B11H103KA01D	K22174823		21-		
C 2719	CHIP CAP.	0.01uF	50V	B	GRM188B11H103KA01D	K22174823		21-		
C 2720	CHIP CAP.	0.01uF	50V	B	GRM188B11H103KA01D	K22174823		21-		
C 2721	CHIP CAP.	0.001uF	50V	B	GRM188B11H102KA01D	K22174821		21-		
C 2722	CHIP CAP.	0.01uF	50V	B	GRM188B11H103KA01D	K22174823		21-		
C 2723	CHIP CAP.	1pF	50V	CK	GRM1884C1H1R0CZ01D	K22174202		21-		
C 2724	CHIP CAP.	0.01uF	50V	B	GRM188B11H103KA01D	K22174823		21-		
C 2725	CHIP CAP.	0.01uF	50V	B	GRM188B11H103KA01D	K22174823		21-		
C 2726	CHIP CAP.	0.001uF	50V	B	GRM188B11H102KA01D	K22174821		21-		
C 2727	CHIP CAP.	0.01uF	50V	B	GRM188B11H103KA01D	K22174823		21-		
C 2728	CHIP CAP.	2pF	50V	CK	GRM1884C1H2R0CZ01D	K22174203		21-		
C 2730	CHIP CAP.	0.01uF	50V	B	GRM188B11H103KA01D	K22174823		21-		
C 2731	CHIP TA.CAP.	1uF	35V		TEESVA1V105M8R	K78160032		21-		
C 2732	CHIP CAP.	0.5pF	50V	CK	GRM1884C1HR50CZ01D	K22174201		21-		
C 2733	CHIP CAP.	47pF	50V	CH	GRM1882C1H470JA01D	K22174227		21-		
C 2734	CHIP CAP.	47pF	50V	CH	GRM1882C1H470JA01D	K22174227		21-		
C 2735	CHIP CAP.	47pF	50V	CH	GRM1882C1H470JA01D	K22174227		21-		
CF2501	CERAMICFILTER				CFWLA455KEFA-B0	H3900505		1-	A	G2
D 2501	DIODE				BAS316	G2070716		1-	A	B3
D 2502	DIODE				1SR154-400 TE25	G2070684		1-	A	C3
D 2503	DIODE				HSB88WS TR-E	G2070290		1-	A	D2
D 2504	DIODE				HVC372B TRF	G2070964		1-	A	D2
D 2505	DIODE				HVC372B TRF	G2070964		1-	A	C2
D 2506	DIODE				HVC372B TRF	G2070964		1-	A	C2
D 2507	DIODE				1SS356TW11	G2070468		1-	A	D2
D 2508	DIODE				1SS356TW11	G2070468		1-	A	B2
D 2509	DIODE				1SS356TW11	G2070468		1-	A	C1
D 2510	DIODE				1SS356TW11	G2070468		1-	A	C1
D 2511	DIODE				1SS356TW11	G2070468		1-	A	C1
D 2512	DIODE				1SS356TW11	G2070468		1-	A	C1
D 2513	DIODE				1SS356TW11	G2070468		1-	A	C1
D 2514	DIODE				1SS356TW11	G2070468		1-	A	C1
D 2515	DIODE				1SS356TW11	G2070468		1-	A	C1
D 2516	DIODE				1SS356TW11	G2070468		1-	A	C1
D 2517	DIODE				1SS356TW11	G2070468		1-	A	C1
D 2518	DIODE				1SS356TW11	G2070468		1-	A	C1
D 2519	DIODE				1SS356TW11	G2070468		1-	A	C1
D 2520	DIODE				1SS356TW11	G2070468		1-	A	C1
D 2521	DIODE				1SS356TW11	G2070468		1-	A	C1
D 2522	DIODE				1SS356TW11	G2070468		1-	A	C1
D 2523	DIODE				DAN202U T106	G2070162		1-	A	D1
D 2524	DIODE				02CZ8.2Y TE85R	G2070146		1-	A	D3
D 2525	DIODE				DAN202U T106	G2070162		1-	A	E1
D 2526	DIODE				HZM13NB1 TR-E	G2070876		1-	A	E1
D 2527	DIODE				HZM13NB1 TR-E	G2070876		1-	A	E1
D 2528	DIODE				DA204U T106	G2070242		1-	A	E1

REF	DESCRIPTION	VALUE	V/W	TOL.	MFR'S DESIG	VXSTD P/N	VERS.	LOT	SIDE	LAY ADR
D 2529	DIODE				BAS316	G2070716		1-	A	D1
D 2530	DIODE				1SV271(TPH3.F)	G2070476		1-	A	E2
D 2531	DIODE				BAS316	G2070716		2-	A	A2
D 2532	DIODE				BAS316	G2070716		1-	A	A1
D 2533	DIODE				BAS316	G2070716		10-		
D 2534	DIODE				DAP236U T106	G2070592		21-		
D 2535	DIODE				1SS226(TE85R.F)	G2070003		21-		
D 2536	DIODE				DAP236U T106	G2070592		21-		
FB2601	FERRITE BEADS				BLM18BD182SN1D	L1690602		4-	A	B2
FB2602	FERRITE BEADS				BLM18BD182SN1D	L1690602		4-	A	C2
FB2603	FERRITE BEADS				BLM18BD182SN1D	L1690602		4-	A	C2
FB2604	FERRITE BEADS				BLM18BD182SN1D	L1690602		4-	A	C3
FB2605	FERRITE BEADS				BLM18BD182SN1D	L1690602		4-	A	E2
J 2501	CONNECTOR				JPJ2548-01-010	P1091232		1-	A	A3
J 2502	CONNECTOR				M50-008-020 R41-9553F	P1091132		1-	A	A3
J 2503	CONNECTOR				JPJ2548-01-010	P1091232		1-	A	B3
J 2504	CONNECTOR				TCS5073-1941577	P1090913		1-	A	C3
J 2505	CONNECTOR				TCS5073-1741577	P1090648		1-	A	D3
J 2506	CONNECTOR				JPJ2548-01-010	P1091232		1-	A	D3
J 2507	CONNECTOR				M50006020-IIBA R41-9553D	P1090925		1-	A	E3
J 2508	CONNECTOR				YKB21-5209	P1091236		1-	A	F3
J 2509	CONNECTOR				XM2C-0942-232L	P0091409		1-	A	G3
J 2510	CONNECTOR				SB20-02WS	P0090609		1-	A	G1
J 2511	CONNECTOR				TMP-J01X-V6	P1090210		1-	A	G1
J 2512	CONNECTOR				TMP-J01X-V6	P1090210		1-	A	G1
J 2513	CONNECTOR				TMP-J01X-V6	P1090210		1-	A	E2
J 2514	CONNECTOR				TMP-J01X-V6	P1090210		1-	A	A1
J 2515	CONNECTOR				TMP-J01X-V6	P1090210		1-	A	F1
J 2516	CONNECTOR				SB20-03WS	P0090610		1-	A	E1
J 2517	CONNECTOR				30FLT-SM2-TB(LF)(SN)(M)	P1091142		1-	A	B1
J 2518	CONNECTOR				30FLT-SM2-TB(LF)(SN)(M)	P1091142		1-	A	A1
J 2519	CONNECTOR				TMP-J01X-V6	P1090210		4-	A	F2
JP2500	WIRE ASSY				GRN 20 2/2	T50502000		1		
JP2501	WIRE ASSY				GRN 20 2/2	T50502000		1		
JP2502	WIRE ASSY				GRN 20 2/2	T50502000		1		
JP2503	WIRE ASSY				GRN 30 2/2	T50503000		1	A	E1
JP2504	WIRE ASSY				GRN 30 2/2	T50503000		1	A	E1
L 2501	M.RFC	100uH			FLC32T-101J	L1690227		1-	A	G2
L 2502	M.RFC	82uH			FLC32T-820J	L1690226		1-	A	G1
L 2504	CHIP COIL	0.22uH			C2520C-R22J	L1690548		1-	A	D2
L 2505	M.RFC	100uH			FLC32T-101J	L1690227		1-	A	C2
L 2506	CHIP COIL	0.15uH			C2520C-R15J	L1690546		1-	A	C1
L 2506	CHIP COIL	0.15uH		2%	C2520C-R15G	L1691296		10-	A	C1
L 2507	CHIP COIL	0.82uH			C2520C-R82J	L1690555		1-	A	C1
L 2507	CHIP COIL	0.82uH		2%	C2520C-R82G	L1691307		10-	A	C1
L 2508	CHIP COIL	0.15uH			C2520C-R15J	L1690546		1-	A	C1
L 2508	CHIP COIL	0.15uH		2%	C2520C-R15G	L1691296		10-	A	C1
L 2509	CHIP COIL	0.22uH			C2520C-R22J	L1690548		1-	A	C1
L 2509	CHIP COIL	0.22uH		2%	C2520C-R22G	L1691298		10-	A	C1
L 2510	CHIP COIL	1uH			C2520F-1R0K	L1690584		1-	A	C1
L 2510	CHIP COIL	1uH		5%	NLV-25T-1R0J-PF	L1691424		21-	A	C1
L 2511	CHIP COIL	0.22uH			C2520C-R22J	L1690548		1-	A	C1
L 2511	CHIP COIL	0.22uH		2%	C2520C-R22G	L1691298		10-	A	C1
L 2512	CHIP COIL	0.33uH			C2520C-R33J	L1690550		1-	A	C1
L 2512	CHIP COIL	0.33uH		2%	C2520C-R33G	L1691300		10-	A	C1
L 2513	CHIP COIL	1.5uH			C2520F-1R5K	L1690586		1-	A	C1
L 2513	CHIP COIL	1.5uH		5%	NLV-25T-1R5J-PF	L1691426		21-	A	C1
L 2514	CHIP COIL	0.33uH			C2520C-R33J	L1690550		1-	A	C1
L 2514	CHIP COIL	0.33uH		2%	C2520C-R33G	L1691300		10-	A	C1
L 2515	CHIP COIL	0.47uH			C2520C-R47J	L1690552		1-	A	C1
L 2515	CHIP COIL	0.47uH		2%	C2520C-R47G	L1691302		10-	A	C1
L 2516	CHIP COIL	2.2uH			C2520F-2R2K	L1690588		1-	A	C1
L 2516	CHIP COIL	2.2uH		5%	NLV-25T-2R2J-PF	L1691428		21-	A	C1
L 2517	CHIP COIL	0.47uH			C2520C-R47J	L1690552		1-	A	C1
L 2517	CHIP COIL	0.47uH		2%	C2520C-R47G	L1691302		10-	A	C1
L 2518	CHIP COIL	1uH			C2520F-1R0K	L1690584		1-	A	C1
L 2518	CHIP COIL	1uH		5%	NLV-25T-1R0J-PF	L1691424		21-	A	C1
L 2519	CHIP COIL	2.7uH			C2520F-2R7K	L1690589		1-	A	C1
L 2519	CHIP COIL	2.7uH		5%	NLV-25T-2R7J-PF	L1691429		21-	A	C1
L 2520	CHIP COIL	1uH			C2520F-1R0K	L1690584		1-	A	C1
L 2520	CHIP COIL	1uH		5%	NLV-25T-1R0J-PF	L1691424		21-	A	C1
L 2521	CHIP COIL	1.5uH			C2520F-1R5K	L1690586		1-	A	C1
L 2521	CHIP COIL	1.5uH		5%	NLV-25T-1R5J-PF	L1691426		21-	A	C1

# TXUnit

## Parts List

REF	DESCRIPTION	VALUE	V/W	TOL.	MFR'S DESIG	VXSTD P/N	VERS.	LOT	SIDE	LAY ADR
L 2522	CHIPCOIL	5.6uH			C2520F-5R6K	L1690593		1-	A	C1
L 2522	CHIPCOIL	5.6uH		5%	NLV-25T-5R6J-PF	L1691433		16-	A	C1
L 2523	CHIPCOIL	1.5uH			C2520F-1R5K	L1690586		1-	A	C1
L 2523	CHIPCOIL	1.5uH		5%	NLV-25T-1R5J-PF	L1691426		21-	A	C1
L 2524	CHIPCOIL	1.8uH			C2520F-1R8K	L1690587		1	A	C1
L 2524	CHIPCOIL	2.2uH			C2520F-2R2K	L1690588		2-	A	C1
L 2524	CHIPCOIL	2.2uH		5%	NLV-25T-2R2J-PF	L1691428		21-	A	C1
L 2525	CHIPCOIL	10uH			C2520F-100K	L1690596		1-	A	C1
L 2525	CHIPCOIL	10uH		5%	NLV-25T-100J-PF	L1691436		12-	A	C1
L 2526	CHIPCOIL	1.8uH			C2520F-1R8K	L1690587		1	A	C1
L 2526	CHIPCOIL	2.7uH			C2520F-2R7K	L1690589		2-	A	C1
L 2526	CHIPCOIL	2.7uH		5%	NLV-25T-2R7J-PF	L1691429		21-	A	C1
L 2527	M.RFC	100uH			FLC32T-101J	L1690227		1-	A	B2
L 2529	M.RFC	100uH			FLC32T-101J	L1690227		1-	A	A2
L 2530	M.RFC	100uH			FLC32T-101J	L1690227		1-	A	E1
L 2531	CHIPCOIL	0.068uH			C2520C-68NK	L1690542		1-	A	E1
L 2532	CHIPCOIL	0.1uH			C2520C-R10J	L1690544		1-	A	E1
L 2533	CHIPCOIL	0.18uH			C2520C-R18J	L1690547		1-	A	E1
L 2534	CHIPCOIL	0.27uH			C2520C-R27J	L1690549		1-	A	F1
L 2535	CHIPCOIL	100uH			LQH32MN101K23L	L1690099		1-	A	B1
L 2536	CHIPCOIL	100uH			LQH32MN101K23L	L1690099		1-9	A	A1
L 2537	CHIPCOIL	100uH			LQH32MN101K23L	L1690099		1-	A	A1
L 2538	CHIPCOIL	100uH			LQH32MN101K23L	L1690099		1-	A	A1
L 2539	M.RFC	0.47uH			LAL02NAR47M	L1190279		3		
L 2539	M.RFC	0.47uH			LAL02NAR47M	L1190279		4-		
L 2539	CHIPCOIL	0.33uH		2%	C2520C-R33G	L1691300		10-		
L 2540	CHIPCOIL	0.33uH		2%	C2520C-R33G	L1691300		10-		
L 2541	CHIPCOIL	0.56uH		2%	C2520C-R56G	L1691303		10-		
L 2542	M.RFC	470uH			LLM3225-471J	L1691153		21-		
Q 2501	TRANSISTOR				DTC143ZUA T106	G3070188		1-	A	B3
Q 2502	IC				TC4S81F(TE85R.F)	G1090895		1-	A	B3
Q 2503	TRANSISTOR				2SD2403GY-T1	G3424038Y		1-	A	C3
Q 2504	IC				ADM3202ARU	G1094022		1-	A	G2
Q 2505	IC				NJM2594V-TE1	G1093750		1-	A	G1
Q 2506	TRANSISTOR				2SC4154-T111-1E	G3341548E		1-	A	G1
Q 2506	TRANSISTOR				2SC4081 T106	G3340818		29-	A	G1
Q 2507	IC				NJM2594V-TE1	G1093750		1-	A	G2
Q 2508	FET				3SK131-T2B V12	G4801317B		1-	A	E2
Q 2509	FET				SST310-T1	G4070009		1-	A	C2
Q 2510	FET				3SK131-T2B V12	G4801317B		1-	A	B2
Q 2511	TRANSISTOR				2SC2954-T2	G3329547		1-	A	B2
Q 2511	TRANSISTOR				2SC5415E-TD-E	G3354158E		21-	A	B2
Q 2512	IC				NJM4558V-TE1	G1093250		1-	A	B1
Q 2513	IC				NJM4558V-TE1	G1093250		1-	A	B1
Q 2514	TRANSISTOR				2SC2954-T2	G3329547		1-	A	E1
Q 2514	TRANSISTOR				2SC5415E-TD-E	G3354158E		21-	A	E1
Q 2515	TRANSISTOR				2SC4154-T111-1E	G3341548E		1-	A	F1
Q 2515	TRANSISTOR				2SC4081 T106	G3340818		29-	A	F1
Q 2516	IC				NJM2068V-TE1	G1094112		1-	A	D1
Q 2517	IC				NJM4558V-TE1	G1093250		1-	A	F1
Q 2518	IC				NJM2068V-TE1	G1094112		1-	A	E1
Q 2519	IC				NJM4558V-TE1	G1093250		1-	A	D1
Q 2520	IC				BU2505FV-E2	G1093714		1-	A	D1
Q 2521	IC				BU2099FV-E2	G1093243		1-	A	D1
Q 2522	TRANSISTOR				DTC114EUA T106	G3070084		2-	A	A1
Q 2523	TRANSISTOR				2SA1602A-T111-1F	G3116028F		10-		
Q 2523	TRANSISTOR				UMH11N TN	G3070212		21-		
Q 2524	IC				NJM78L05UA-TE1	G1091325		10-		
Q 2525	TRANSISTOR				2SC2714Y(TE85R.F)	G3327147Y		21-		
Q 2526	TRANSISTOR				2SC2714Y(TE85R.F)	G3327147Y		21-		
Q 2527	TRANSISTOR				DTC144EUA T106	G3070041		21-		
Q 2528	TRANSISTOR				DTC144EUA T106	G3070041		21-		
R 2501	CHIPRES.	680	1/16W	5%	RMC1/16 681JATP	J24185681		1-	A	A3
R 2502	CHIPRES.	56	1/16W	5%	RMC1/16 560JATP	J24185560		1-	A	A3
R 2503	CHIPRES.	47k	1/16W	5%	RMC1/16 473JATP	J24185473		1-	A	B3
R 2504	CHIPRES.	1k	1/16W	5%	RMC1/16 102JATP	J24185102		1-	A	B3
R 2505	CHIPRES.	4.7k	1/16W	5%	RMC1/16 472JATP	J24185472		1-	A	C3
R 2506	CHIPRES.	1k	1/16W	5%	RMC1/16 102JATP	J24185102		1-	A	C2
R 2507	CHIPRES.	1k	1/16W	5%	RMC1/16 102JATP	J24185102		1-	A	C2
R 2508	CHIPRES.	1k	1/16W	5%	RMC1/16 102JATP	J24185102		1-	A	C3
R 2509	CHIPRES.	1k	1/16W	5%	RMC1/16 102JATP	J24185102		1-	A	B2
R 2510	CHIPRES.	10	1/16W	5%	RMC1/16 100JATP	J24185100		1-	A	C3
R 2511	CHIPRES.	100	1/16W	5%	RMC1/16 101JATP	J24185101		1-	A	E3

# TX Unit

## Parts List

REF	DESCRIPTION	VALUE	V/W	TOL.	MFR'S DESIG	VXSTD P/N	VERS.	LOT	SIDE	LAY ADR
R 2512	CHIPRES.	100	1/16W	5%	RMC1/16 101JATP	J24185101		1-	A	E3
R 2513	CHIPRES.	100	1/16W	5%	RMC1/16 101JATP	J24185101		1-	A	E3
R 2514	CHIPRES.	100	1/16W	5%	RMC1/16 101JATP	J24185101		1-	A	E3
R 2515	CHIPRES.	2.2k	1/16W	5%	RMC1/16 222JATP	J24185222		1-	A	G1
R 2516	CHIPRES.	470	1/16W	5%	RMC1/16 471JATP	J24185471		1-	A	G1
R 2516	CHIPRES.	220	1/16W	5%	RMC1/16 221JATP	J24185221		21-	A	G1
R 2517	CHIPRES.	0	1/16W	5%	RMC1/16 000JATP	J24185000		1-	A	G1
R 2517	CHIPRES.	1.8k	1/16W	5%	RMC1/16 182JATP	J24185182		21-	A	G1
R 2518	CHIPRES.	330	1/16W	5%	RMC1/16 331JATP	J24185331		1-	A	G1
R 2518	CHIPRES.	2.2k	1/16W	5%	RMC1/16 222JATP	J24185222		21-	A	G1
R 2519	CHIPRES.	100k	1/16W	5%	RMC1/16 104JATP	J24185104		1-	A	G1
R 2519	CHIPRES.	10k	1/16W	5%	RMC1/16 103JATP	J24185103		21-	A	G1
R 2520	CHIPRES.	220	1/16W	5%	RMC1/16 221JATP	J24185221		1-	A	G1
R 2520	CHIPRES.	270	1/16W	5%	RMC1/16 271JATP	J24185271		21-	A	G1
R 2521	CHIPRES.	100	1/16W	5%	RMC1/16 101JATP	J24185101		1-	A	G1
R 2521	CHIPRES.	47	1/16W	5%	RMC1/16 470JATP	J24185470		21-	A	G1
R 2522	CHIPRES.	470	1/16W	5%	RMC1/16 471JATP	J24185471		1-	A	F2
R 2522	CHIPRES.	220	1/16W	5%	RMC1/16 221JATP	J24185221		21-	A	F2
R 2523	CHIPRES.	10k	1/16W	5%	RMC1/16 103JATP	J24185103		1-	A	E2
R 2524	CHIPRES.	56k	1/16W	5%	RMC1/16 563JATP	J24185563		1-	A	E2
R 2525	CHIPRES.	15k	1/16W	5%	RMC1/16 153JATP	J24185153		1-	A	E2
R 2526	CHIPRES.	47	1/16W	5%	RMC1/16 470JATP	J24185470		1-	A	E2
R 2527	CHIPRES.	100	1/16W	5%	RMC1/16 101JATP	J24185101		1-	A	E2
R 2528	CHIPRES.	150	1/16W	5%	RMC1/16 151JATP	J24185151		1-	A	E2
R 2529	CHIPRES.	100	1/16W	5%	RMC1/16 101JATP	J24185101		1-	A	E2
R 2531	CHIPRES.	150	1/16W	5%	RMC1/16 151JATP	J24185151		1-	A	E2
R 2532	CHIPRES.	10	1/16W	5%	RMC1/16 100JATP	J24185100		1-	A	E2
R 2533	CHIPRES.	2.7	1/16W	5%	RMC1/16 2R7JATP	J24185279		1-	A	D2
R 2534	CHIPRES.	470	1/16W	5%	RMC1/16 471JATP	J24185471		1-	A	D2
R 2535	CHIPRES.	2.7	1/16W	5%	RMC1/16 2R7JATP	J24185279		1-	A	D2
R 2536	CHIPRES.	1k	1/4W	5%	RMC1/4 102JATP	J24245102		1-	A	D2
R 2538	CHIPRES.	100k	1/16W	5%	RMC1/16 104JATP	J24185104		1-	A	C2
R 2539	CHIPRES.	100k	1/16W	5%	RMC1/16 104JATP	J24185104		1-	A	C2
R 2540	CHIPRES.	100k	1/16W	5%	RMC1/16 104JATP	J24185104		1-	A	C2
R 2541	CHIPRES.	68	1/4W	5%	RMC1/4 680JATP	J24245680		1-	A	C2
R 2542	CHIPRES.	10k	1/16W	5%	RMC1/16 103JATP	J24185103		1-	A	D1
R 2543	CHIPRES.	47	1/16W	5%	RMC1/16 470JATP	J24185470		1-	A	D2
R 2544	CHIPRES.	100	1/16W	5%	RMC1/16 101JATP	J24185101		1-	A	C2
R 2545	CHIPRES.	10k	1/16W	5%	RMC1/16 103JATP	J24185103		1-	A	D1
R 2546	CHIPRES.	47	1/16W	5%	RMC1/16 470JATP	J24185470		1-	A	C1
R 2547	CHIPRES.	100	1/16W	5%	RMC1/16 101JATP	J24185101		1-	A	C1
R 2548	CHIPRES.	10k	1/16W	5%	RMC1/16 103JATP	J24185103		1-	A	D1
R 2549	CHIPRES.	47	1/16W	5%	RMC1/16 470JATP	J24185470		1-	A	C1
R 2550	CHIPRES.	100	1/16W	5%	RMC1/16 101JATP	J24185101		1-	A	C1
R 2551	CHIPRES.	10k	1/16W	5%	RMC1/16 103JATP	J24185103		1-	A	D1
R 2552	CHIPRES.	47	1/16W	5%	RMC1/16 470JATP	J24185470		1-	A	C1
R 2553	CHIPRES.	100	1/16W	5%	RMC1/16 101JATP	J24185101		1-	A	C1
R 2554	CHIPRES.	10k	1/16W	5%	RMC1/16 103JATP	J24185103		1-	A	D1
R 2555	CHIPRES.	47	1/16W	5%	RMC1/16 470JATP	J24185470		1-	A	C1
R 2556	CHIPRES.	100	1/16W	5%	RMC1/16 101JATP	J24185101		1-	A	C1
R 2557	CHIPRES.	10k	1/16W	5%	RMC1/16 103JATP	J24185103		1-	A	D1
R 2558	CHIPRES.	47	1/16W	5%	RMC1/16 470JATP	J24185470		1-	A	C1
R 2559	CHIPRES.	100	1/16W	5%	RMC1/16 101JATP	J24185101		1-	A	C1
R 2560	CHIPRES.	10k	1/16W	5%	RMC1/16 103JATP	J24185103		1-	A	D1
R 2561	CHIPRES.	47	1/16W	5%	RMC1/16 470JATP	J24185470		1-	A	C1
R 2562	CHIPRES.	100	1/16W	5%	RMC1/16 101JATP	J24185101		1-	A	C1
R 2563	CHIPRES.	10k	1/16W	5%	RMC1/16 103JATP	J24185103		1-	A	D1
R 2564	CHIPRES.	47	1/16W	5%	RMC1/16 470JATP	J24185470		1-	A	C1
R 2565	CHIPRES.	100	1/16W	5%	RMC1/16 101JATP	J24185101		1-	A	C1
R 2566	CHIPRES.	1k	1/4W	5%	RMC1/4 102JATP	J24245102		1-	A	B2
R 2567	CHIPRES.	10k	1/16W	5%	RMC1/16 103JATP	J24185103		1-	A	B2
R 2568	CHIPRES.	56k	1/16W	5%	RMC1/16 563JATP	J24185563		1-	A	B2
R 2569	CHIPRES.	220	1/16W	5%	RMC1/16 221JATP	J24185221		1-	A	B2
R 2570	CHIPRES.	150	1/16W	5%	RMC1/16 151JATP	J24185151		1-	A	B2
R 2571	CHIPRES.	1k	1/16W	5%	RMC1/16 102JATP	J24185102		1-	A	B2
R 2572	CHIPRES.	100	1/16W	5%	RMC1/16 101JATP	J24185101		1-	A	B2
R 2574	CHIPRES.	680	1/16W	5%	RMC1/16 681JATP	J24185681		1-	A	B2
R 2575	CHIPRES.	0	1/16W	5%	RMC1/16 000JATP	J24185000		2	A	B2
R 2575	CHIPRES.	220	1/16W	5%	RMC1/16 221JATP	J24185221		3-	A	B2
R 2576	CHIPRES.	820	1/16W	5%	RMC1/16 821JATP	J24185821		1-	A	B2
R 2577	CHIPRES.	8.2	1/16W	5%	RMC1/16 8R2JATP	J24185829		1-	A	B2
R 2578	CHIPRES.	100	1/2W	5%	RMC1/2 101JCTP	J24275101		1-	A	A2
R 2579	CHIPRES.	0	1/16W	5%	RMC1/16 000JATP	J24185000		1-	A	B1



# TXUnit

## Parts List

REF	DESCRIPTION	VALUE	V/W	TOL.	MFR'S DESIG	VXSTD P/N	VERS.	LOT	SIDE	LAY ADR
R 2580	CHIPRES.	22k	1/16W	5%	RMC1/16 223JATP	J24185223		1-	A	B1
R 2581	CHIPRES.	2.2k	1/16W	5%	RMC1/16 222JATP	J24185222		1-	A	B1
R 2582	CHIPRES.	1k	1/16W	5%	RMC1/16 102JATP	J24185102		1-3	A	B1
R 2582	CHIPRES.	1k	1/16W	5%	RMC1/16 102JATP	J24185102	200W	4-	A	B1
R 2582	CHIPRES.	2.2k	1/10W	5%	RMC1/10T 222J	J24205222	400W	4-	A	B1
R 2582	CHIPRES.	2.2k	1/16W	5%	RMC1/16 222JATP	J24185222	400W	10-	A	B1
R 2583	CHIPRES.	22k	1/16W	5%	RMC1/16 223JATP	J24185223		1-	A	B1
R 2584	CHIPRES.	0	1/16W	5%	RMC1/16 000JATP	J24185000		1-	A	B1
R 2586	CHIPRES.	10k	1/16W	5%	RMC1/16 103JATP	J24185103		1-	A	B1
R 2587	CHIPRES.	10k	1/16W	5%	RMC1/16 103JATP	J24185103		1-	A	B1
R 2588	CHIPRES.	0	1/16W	5%	RMC1/16 000JATP	J24185000		1-	A	B1
R 2590	CHIPRES.	10k	1/16W	5%	RMC1/16 103JATP	J24185103		1-	A	B1
R 2591	CHIPRES.	10	1/16W	5%	RMC1/16 100JATP	J24185100		1-	A	E1
R 2592	CHIPRES.	150	1/16W	5%	RMC1/16 151JATP	J24185151		1-	A	E1
R 2593	CHIPRES.	10	1/16W	5%	RMC1/16 100JATP	J24185100		1-	A	E1
R 2594	CHIPRES.	10	1/16W	5%	RMC1/16 100JATP	J24185100		1-	A	E1
R 2595	CHIPRES.	22	1/10W	5%	RMC1/10T 220J	J24205220		1-	A	E1
R 2596	CHIPRES.	150	1/4W	5%	RMC1/4 151JATP	J24245151		1-	A	E1
R 2597	CHIPRES.	820	1/16W	5%	RMC1/16 821JATP	J24185821		1-	A	E1
R 2598	CHIPRES.	820	1/16W	5%	RMC1/16 821JATP	J24185821		1-	A	E1
R 2600	CHIPRES.	3.3k	1/16W	5%	RMC1/16 332JATP	J24185332		1-	A	F1
R 2601	CHIPRES.	1.2k	1/16W	5%	RMC1/16 122JATP	J24185122		1-	A	F1
R 2602	CHIPRES.	1M	1/16W	5%	RMC1/16 105JATP	J24185105		1-	A	F1
R 2603	CHIPRES.	10k	1/16W	5%	RMC1/16 103JATP	J24185103		1-	A	F1
R 2604	CHIPRES.	2.2k	1/16W	5%	RMC1/16 222JATP	J24185222		1-	A	F1
R 2605	CHIPRES.	47k	1/16W	5%	RMC1/16 473JATP	J24185473		1-	A	F1
R 2606	CHIPRES.	10k	1/16W	5%	RMC1/16 103JATP	J24185103		1-	A	F1
R 2607	CHIPRES.	150k	1/16W	5%	RMC1/16 154JATP	J24185154		1-	A	D1
R 2608	CHIPRES.	100k	1/16W	5%	RMC1/16 104JATP	J24185104		1-	A	D1
R 2609	CHIPRES.	100k	1/16W	5%	RMC1/16 104JATP	J24185104		1-	A	D1
R 2610	CHIPRES.	22k	1/16W	5%	RMC1/16 223JATP	J24185223		1-	A	D1
R 2611	CHIPRES.	10k	1/16W	5%	RMC1/16 103JATP	J24185103		1-	A	D1
R 2611	CHIPRES.	5.6k	1/16W	5%	RMC1/16 562JATP	J24185562		3-	A	D1
R 2612	CHIPRES.	33k	1/16W	5%	RMC1/16 333JATP	J24185333		1-	A	D3
R 2613	CHIPRES.	4.7k	1/16W	5%	RMC1/16 472JATP	J24185472		1-	A	D3
R 2614	CHIPRES.	470k	1/16W	5%	RMC1/16 474JATP	J24185474		1-	A	D1
R 2615	CHIPRES.	47k	1/16W	5%	RMC1/16 473JATP	J24185473		1-	A	D1
R 2616	CHIPRES.	10k	1/16W	5%	RMC1/16 103JATP	J24185103		1-	A	D1
R 2617	CHIPRES.	180k	1/16W	5%	RMC1/16 184JATP	J24185184		1-	A	F1
R 2618	CHIPRES.	47k	1/16W	5%	RMC1/16 473JATP	J24185473		1-	A	F1
R 2619	CHIPRES.	47k	1/16W	5%	RMC1/16 473JATP	J24185473		1-	A	F1
R 2620	CHIPRES.	180k	1/16W	5%	RMC1/16 184JATP	J24185184		1-	A	F1
R 2621	CHIPRES.	150k	1/16W	5%	RMC1/16 154JATP	J24185154		1-	A	E1
R 2622	CHIPRES.	150k	1/16W	5%	RMC1/16 154JATP	J24185154		1-	A	E1
R 2623	CHIPRES.	100k	1/16W	5%	RMC1/16 104JATP	J24185104		1-	A	E1
R 2624	CHIPRES.	47k	1/16W	5%	RMC1/16 473JATP	J24185473		1-	A	E1
R 2625	CHIPRES.	22k	1/16W	5%	RMC1/16 223JATP	J24185223		1-	A	E1
R 2626	CHIPRES.	4.7k	1/16W	5%	RMC1/16 472JATP	J24185472		1-	A	E1
R 2627	CHIPRES.	56k	1/16W	5%	RMC1/16 563JATP	J24185563		1-	A	D1
R 2628	CHIPRES.	47k	1/16W	5%	RMC1/16 473JATP	J24185473		1-	A	D1
R 2629	CHIPRES.	150k	1/16W	5%	RMC1/16 154JATP	J24185154		1-	A	E1
R 2630	CHIPRES.	150k	1/16W	5%	RMC1/16 154JATP	J24185154		1-	A	E1
R 2631	CHIPRES.	100k	1/16W	5%	RMC1/16 104JATP	J24185104		1-	A	E1
R 2632	CHIPRES.	47k	1/16W	5%	RMC1/16 473JATP	J24185473		1-	A	E1
R 2633	CHIPRES.	22k	1/16W	5%	RMC1/16 223JATP	J24185223		1-	A	E1
R 2634	CHIPRES.	4.7k	1/16W	5%	RMC1/16 472JATP	J24185472		1-	A	E1
R 2635	CHIPRES.	56k	1/16W	5%	RMC1/16 563JATP	J24185563		1-	A	D1
R 2636	CHIPRES.	47k	1/16W	5%	RMC1/16 473JATP	J24185473		1-	A	D1
R 2645	CHIPRES.	0	1/16W	5%	RMC1/16 000JATP	J24185000		1-	A	D1
R 2646	CHIPRES.	100k	1/16W	5%	RMC1/16 104JATP	J24185104		1-	A	D1
R 2647	CHIPRES.	0	1/16W	5%	RMC1/16 000JATP	J24185000		1-	A	D1
R 2648	CHIPRES.	0	1/16W	5%	RMC1/16 000JATP	J24185000		1-	A	D1
R 2649	CHIPRES.	0	1/16W	5%	RMC1/16 000JATP	J24185000		1-	A	D1
R 2650	CHIPRES.	100k	1/16W	5%	RMC1/16 104JATP	J24185104		1-	A	D1
R 2651	CHIPRES.	100k	1/16W	5%	RMC1/16 104JATP	J24185104		1-	A	D1
R 2652	CHIPRES.	100k	1/16W	5%	RMC1/16 104JATP	J24185104		1-	A	D1
R 2653	CHIPRES.	0	1/16W	5%	RMC1/16 000JATP	J24185000		1-	A	D1
R 2654	CHIPRES.	0	1/16W	5%	RMC1/16 000JATP	J24185000		1-	A	D1
R 2655	CHIPRES.	0	1/16W	5%	RMC1/16 000JATP	J24185000		1-	A	D1
R 2656	CHIPRES.	1k	1/16W	5%	RMC1/16 102JATP	J24185102		1-	A	E2
R 2657	CHIPRES.	1k	1/16W	5%	RMC1/16 102JATP	J24185102		1-	A	E2
R 2658	CHIPRES.	1k	1/16W	5%	RMC1/16 102JATP	J24185102		1-	A	E2
R 2659	CHIPRES.	2.2k	1/16W	5%	RMC1/16 222JATP	J24185222		1-	A	D1

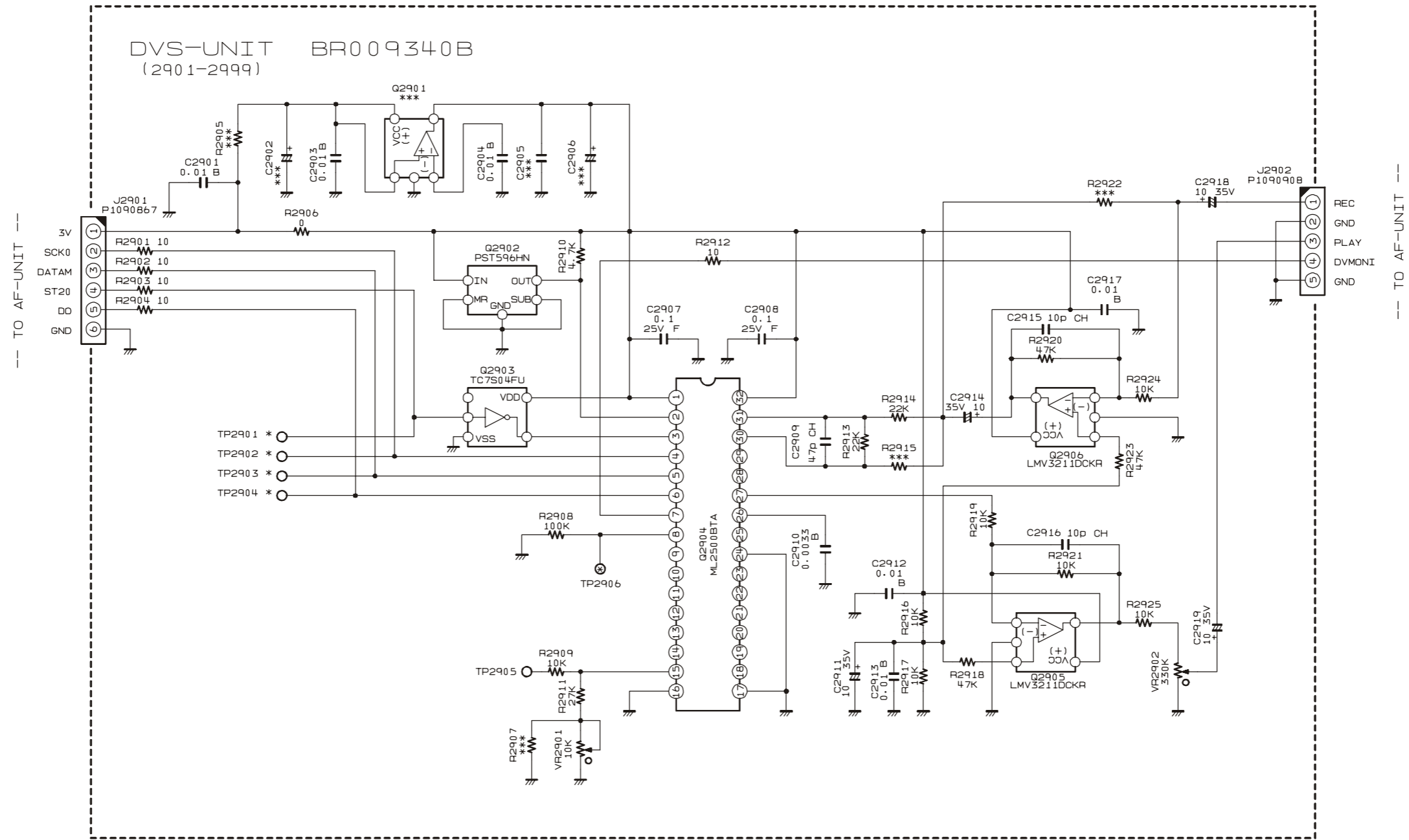
REF	DESCRIPTION	VALUE	V/W	TOL.	MFR'S DESIG	VXSTD P/N	VERS.	LOT	SIDE	LAY ADR
R 2660	CHIPRES.	2.2k	1/16W	5%	RMC1/16 222JATP	J24185222		1-	A	D1
R 2661	CHIPRES.	2.2k	1/16W	5%	RMC1/16 222JATP	J24185222		1-	A	D1
R 2662	CHIPRES.	2.2k	1/16W	5%	RMC1/16 222JATP	J24185222		1-	A	D1
R 2663	CHIPRES.	2.2k	1/16W	5%	RMC1/16 222JATP	J24185222		1-	A	E2
R 2664	CHIPRES.	0	1/16W	5%	RMC1/16 000JATP	J24185000		1-	A	E2
R 2665	CHIPRES.	3.3k	1/16W	5%	RMC1/16 332JATP	J24185332		1-	A	C2
R 2666	CHIPRES.	100	1/16W	5%	RMC1/16 101JATP	J24185101		1-	A	C2
R 2667	CHIPRES.	0	1/16W	5%	RMC1/16 000JATP	J24185000		1-9	A	D2
R 2668	CHIPRES.	22	1/16W	5%	RMC1/16 220JATP	J24185220		1-20	A	G1
R 2669	CHIPRES.	22k	1/16W	5%	RMC1/16 223JATP	J24185223		1-	A	B1
R 2670	CHIPRES.	0	1/16W	5%	RMC1/16 000JATP	J24185000		1-	A	G2
R 2671	CHIPRES.	0	1/16W	5%	RMC1/16 000JATP	J24185000		1-	A	G1
R 2671	CHIPRES.	470	1/4W	5%	RMC1/4 471JATP	J24245471		21-	A	G1
R 2672	CHIPRES.	100	1/16W	5%	RMC1/16 101JATP	J24185101		1-	A	C2
R 2673	CHIPRES.	100	1/16W	5%	RMC1/16 101JATP	J24185101		1-	A	C3
R 2674	CHIPRES.	100	1/16W	5%	RMC1/16 101JATP	J24185101		1-	A	D3
R 2675	CHIPRES.	100	1/16W	5%	RMC1/16 101JATP	J24185101		1-	A	D3
R 2676	CHIPRES.	100	1/16W	5%	RMC1/16 101JATP	J24185101		1-	A	D2
R 2677	CHIPRES.	47	1/16W	5%	RMC1/16 470JATP	J24185470		1-	A	A3
R 2678	CHIPRES.	47	1/16W	5%	RMC1/16 470JATP	J24185470		1-	A	A3
R 2679	CHIPRES.	10	1/16W	5%	RMC1/16 100JATP	J24185100		1-	A	A3
R 2680	CHIPRES.	47	1/16W	5%	RMC1/16 470JATP	J24185470		1-	A	A3
R 2681	CHIPRES.	47	1/16W	5%	RMC1/16 470JATP	J24185470		1-	A	A3
R 2682	CHIPRES.	47	1/16W	5%	RMC1/16 470JATP	J24185470		1-	A	A3
R 2683	CHIPRES.	47	1/16W	5%	RMC1/16 470JATP	J24185470		1-	A	A3
R 2684	CHIPRES.	47	1/16W	5%	RMC1/16 470JATP	J24185470		1-	A	A3
R 2685	CHIPRES.	100	1/16W	5%	RMC1/16 101JATP	J24185101		1-	A	B2
R 2686	CHIPRES.	150	1/16W	5%	RMC1/16 151JATP	J24185151		1-	A	F1
R 2688	CHIPRES.	0	1/16W	5%	RMC1/16 000JATP	J24185000		1-	A	G1
R 2689	CHIPRES.	56	1/16W	5%	RMC1/16 560JATP	J24185560		1-	A	G1
R 2690	CHIPRES.	390	1/16W	5%	RMC1/16 391JATP	J24185391		1-	A	G1
R 2691	CHIPRES.	2.2k	1/16W	5%	RMC1/16 222JATP	J24185222		1-	A	G1
R 2692	CHIPRES.	220	1/16W	5%	RMC1/16 221JATP	J24185221		1-	A	F2
R 2692	CHIPRES.	680	1/16W	5%	RMC1/16 681JATP	J24185681		21-	A	F2
R 2693	CHIPRES.	39	1/16W	5%	RMC1/16 390JATP	J24185390		1-	A	F1
R 2694	CHIPRES.	150	1/16W	5%	RMC1/16 151JATP	J24185151		1-	A	F1
R 2695	CHIPRES.	0	1/16W	5%	RMC1/16 000JATP	J24185000		1-	A	B2
R 2696	CHIPRES.	0	1/16W	5%	RMC1/16 000JATP	J24185000		2-	A	B2
R 2697	CHIPRES.	100	1/16W	5%	RMC1/16 101JATP	J24185101		2-	A	A1
R 2699	CHIPRES.	10k	1/16W	5%	RMC1/16 103JATP	J24185103		2-	A	A3
R 2700	CHIPRES.	560	1/16W	5%	RMC1/16 561JATP	J24185561		4-	A	F2
R 2700	CHIPRES.	3.3k	1/16W	5%	RMC1/16 332JATP	J24185332		21-	A	F2
R 2701	CHIPRES.	100	1/16W	5%	RMC1/16 101JATP	J24185101		10-		
R 2702	CHIPRES.	470	1/16W	5%	RMC1/16 471JATP	J24185471		10-		
R 2702	CHIPRES.	10k	1/16W	5%	RMC1/16 103JATP	J24185103		21-		
R 2703	CHIPRES.	0	1/16W	5%	RMC1/16 000JATP	J24185000		10-		
R 2704	CHIPRES.	0	1/16W	5%	RMC1/16 000JATP	J24185000		10-		
R 2705	CHIPRES.	0	1/16W	5%	RMC1/16 000JATP	J24185000		10-		
R 2706	CHIPRES.	0	1/16W	5%	RMC1/16 000JATP	J24185000		10-		
R 2707	CHIPRES.	0	1/16W	5%	RMC1/16 000JATP	J24185000		10-		
R 2707	CHIPRES.	560	1/16W	5%	RMC1/16 561JATP	J24185561		21-		
R 2708	CHIPRES.	0	1/16W	5%	RMC1/16 000JATP	J24185000		10-		
R 2709	CHIPRES.	0	1/16W	5%	RMC1/16 000JATP	J24185000		10-		
R 2710	CHIPRES.	0	1/16W	5%	RMC1/16 000JATP	J24185000		10-		
R 2711	CHIPRES.	0	1/4W	5%	RMC1/4 000JATP	J24245000		10-		
R 2712	CHIPRES.	0	1/16W	5%	RMC1/16 000JATP	J24185000		10-		
R 2713	CHIPRES.	0	1/16W	5%	RMC1/16 000JATP	J24185000		10-		
R 2714	CHIPRES.	0	1/16W	5%	RMC1/16 000JATP	J24185000		21-29		
R 2715	CHIPRES.	0	1/16W	5%	RMC1/16 000JATP	J24185000		21-29		
R 2716	CHIPRES.	0	1/16W	5%	RMC1/16 000JATP	J24185000		30-		
R 2717	CHIPRES.	0	1/16W	5%	RMC1/16 000JATP	J24185000		21-29		
R 2718	CHIPRES.	0	1/16W	5%	RMC1/16 000JATP	J24185000		30-		
R 2719	CHIPRES.	470	1/4W	5%	RMC1/4 471JATP	J24245471		21-		
R 2721	CHIPRES.	0	1/16W	5%	RMC1/16 000JATP	J24185000		21-		
R 2722	CHIPRES.	220	1/16W	5%	RMC1/16 221JATP	J24185221		21-		
R 2723	CHIPRES.	820	1/16W	5%	RMC1/16 821JATP	J24185821		21-		
R 2724	CHIPRES.	3.9k	1/16W	5%	RMC1/16 392JATP	J24185392		21-		
R 2725	CHIPRES.	100	1/16W	5%	RMC1/16 101JATP	J24185101		21-		
R 2726	CHIPRES.	1.5k	1/16W	5%	RMC1/16 152JATP	J24185152		21-		
R 2727	CHIPRES.	1.5k	1/16W	5%	RMC1/16 152JATP	J24185152		21-		
R 2728	CHIPRES.	10k	1/16W	5%	RMC1/16 103JATP	J24185103		21-		
R 2729	CHIPRES.	10k	1/16W	5%	RMC1/16 103JATP	J24185103		21-		
R 2730	CHIPRES.	2.2k	1/16W	5%	RMC1/16 222JATP	J24185222		21-		

# TXUnit

## Parts List

REF	DESCRIPTION	VALUE	V/W	TOL.	MFR'S DESIG	VXSTD P/N	VERS.	LOT	SIDE	LAY ADR
R 2731	CHIPRES.	100	1/16W	5%	RMC1/16 101JATP	J24185101		21-		
R 2732	CHIPRES.	47	1/16W	5%	RMC1/16 470JATP	J24185470		21-		
R 2733	CHIPRES.	1k	1/16W	5%	RMC1/16 102JATP	J24185102		21-		
R 2734	CHIPRES.	100	1/16W	5%	RMC1/16 101JATP	J24185101		21-		
R 2734	CHIPRES.	220	1/16W	5%	RMC1/16 221JATP	J24185221		30-		
R 2735	CHIPRES.	47	1/16W	5%	RMC1/16 470JATP	J24185470		21-		
R 2736	CHIPRES.	1.5k	1/16W	5%	RMC1/16 152JATP	J24185152		21-		
R 2737	CHIPRES.	10k	1/16W	5%	RMC1/16 103JATP	J24185103		21-		
R 2738	CHIPRES.	560	1/16W	5%	RMC1/16 561JATP	J24185561		21-		
R 2739	CHIPRES.	180	1/16W	5%	RMC1/16 181JATP	J24185181		21-		
R 2740	CHIPRES.	1.5k	1/16W	5%	RMC1/16 152JATP	J24185152		21-		
RL2501	RELAY		DC12V		AGQ200A12Z DC12V	M1190188		1-	A	B3
RL2501	RELAY		DC12V		G6K-2F-Y-TR DC12V	M1190183		10-	A	B3
RL2502	RELAY		DC12V		AGQ200A12Z DC12V	M1190188		2-	A	A2
RL2502	RELAY		DC12V		G6K-2F-Y-TR DC12V	M1190183		10-	A	A2
RL2503	RELAY		DC12V		G6K-2F-Y-TR DC12V	M1190183		10-		
S 2501	SLIDE SWITCH				SSSS820201	N6090107		30-		
T 2501	COIL 07RF	455kHz			455K R12-N968A	L0022268		1-20	A	G1
T 2502	COIL 07RF	455kHz			455K	L0190002		1-20	A	G2
T 2503	COIL 07RF				R12-J760A	L0021962		1-	A	F2
T 2503	COIL 07RF	73.62MHz			73.62M S-135-214	L0021960		21-	A	F2
T 2504	COIL 07RF	73.62MHz			73.62M R12-J759A	L0021961		1-	A	F2
T 2504	COIL 07RF	73.62MHz			73.62M S-135-214	L0021960		21-	A	F2
T 2505	COIL 07RF	73.62MHz			73.62M S-135-214	L0021960		1-	A	E2
T 2506	COIL 07WIDE				4-1 2D3 TR6X3	L0020788A		1-	A	E2
T 2507	COIL 07WIDE				4-1 2D3 TR6X3	L0020788A		1-	A	D2
T 2509	COIL 07RF	73.62MHz			73.62M S-135-214	L0021960		1-	A	D2
T 2510	COIL 07RF	73.62MHz			73.62M S-135-214	L0021960		1-	A	C2
T 2511	COIL 07RF	73.62MHz			73.62M S-135-214	L0021960		1-	A	C2
T 2512	COIL 07RF				R12-J758A	L0021958		1-	A	C2
T 2513	COIL 07WIDE				9-1 2D3 TR6X3	L0020789A		1-	A	B2
T 2514	COIL 07WIDE				4-1 2D3 TR6X3	L0020788A		1-	A	B2
T 2515	COIL 07WIDE				4-1 2001F FR6	L0021351		1-	A	A2
T 2515	COIL 07WIDE				2001F FR6.3X3.0X2.2	L0021351A		30-	A	A2
T 2516	COIL 07WIDE				4-1 2D3 TR6X3	L0020788A		1-	A	E1
T 2517	COIL 07RF	47MHz			47.0M	L0021546		21-		
TH2501	THERMISTOR				157-252-53006TP	G9090053	400W	4-		
TP2505	CHECK TERMINAL				RCT00000C	Q5000103		1-	A	F1
TP2506	CHECK TERMINAL				RCT00000C	Q5000103		1-	A	B1
TP2507	CHECK TERMINAL				RCT00000C	Q5000103		1-	A	E2
TP2522	CHECK TERMINAL				RCT00000C	Q5000103		1-	A	B1
TP2523	CHECK TERMINAL				RCT00000C	Q5000103		1-	A	B1
TP2527	CHECK TERMINAL				RCT00000C	Q5000103		4-	A	D1
TP2528	CHECK TERMINAL				RCT00000C	Q5000103		4-	A	E1
TP2529	CHECK TERMINAL				RCT00000C	Q5000103		4-	A	B1
TP2534	CHECK TERMINAL				RCT00000C	Q5000103		4-	A	F1
VR2501	POT.	4.7k			RH03A3AS3X 4.7K	J51807472		1-9	A	D2
VR2502	POT.	10k			RH03A3A14X 10K	J51807103		1-	A	B1
VR2503	POT.	10k			RH03A3A14X 10K	J51807103		1-	A	B1
VR2504	POT.	10k			RH03A3A14X 10K	J51807103		1-	A	F1
VR2505	POT.	10k			RH03A3A14X 10K	J51807103		1-	A	D1
VR2506	POT.	10k			RH03A3A14X 10K	J51807103		1-	A	D1
XF2501	XTAL FILTER				MFT40R2 40.455MHz 15kHz	H1102386		1-	A	F2
	SHIELD CASE					RA0659300		1-		
	SHIELD CASE					RA0659400		1-		

# DVS Unit Circuit Diagram

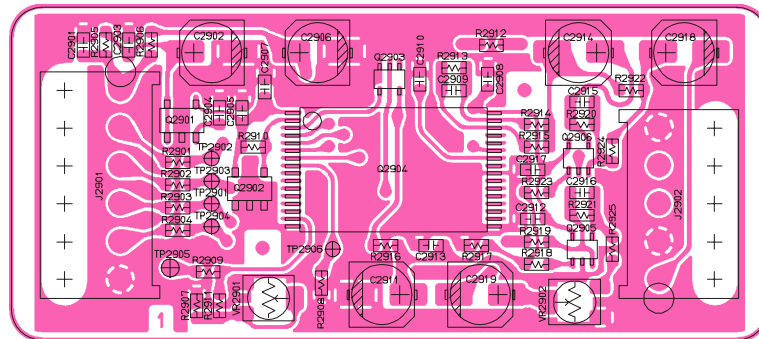


*DVS Unit*

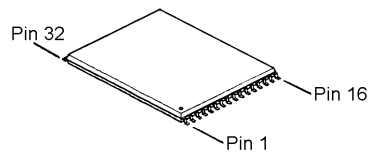
*Note*

# DVS Unit

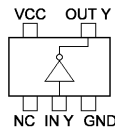
## Parts Layout



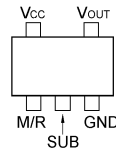
Side A



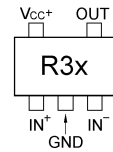
ML2500BTA  
(Q2904)



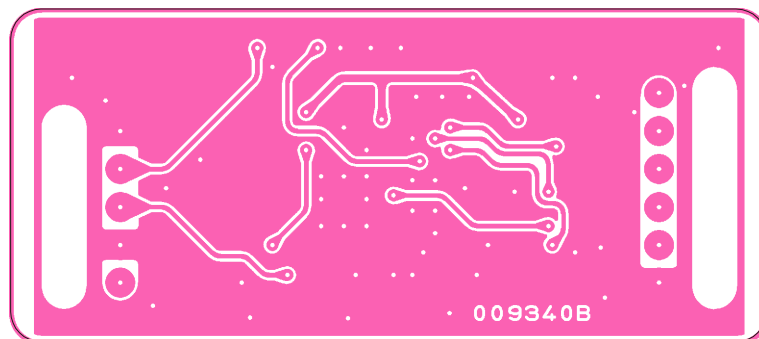
TC7S04FU (E5)  
(Q2903)



PST596HNR  
(Q2902)



LMV321IDCKR  
(Q2905, 2906)



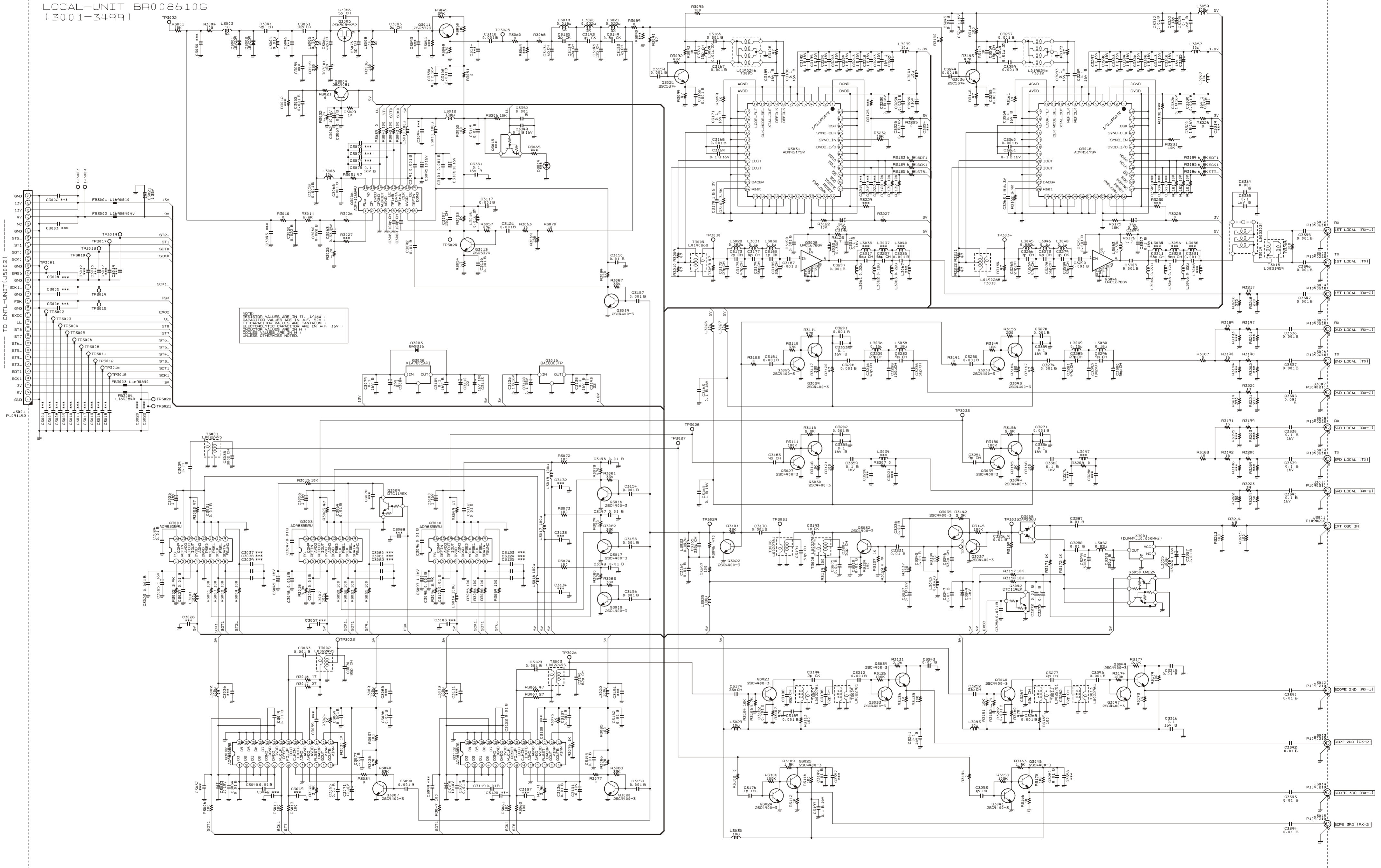
Side B

# DVS Unit

## Parts List

REF	DESCRIPTION	VALUE	V/W	TOL.	MFR'S DESIG	VXSTD P/N	VERS.	LOT	SIDE	LAY ADR
PCB with Components						CB2340001				
Printed Circuit Board						FR009340B		1-		
C 2901	CHIP CAP.	0.01uF	50V	B	GRM188B11H103KA01D	K22174823		1-	A	
C 2903	CHIP CAP.	0.01uF	50V	B	GRM188B11H103KA01D	K22174823		1-	A	
C 2904	CHIP CAP.	0.01uF	50V	B	GRM188B11H103KA01D	K22174823		1-	A	
C 2907	CHIP CAP.	0.1uF	25V	F	GRM188F11E104ZA01D	K22145001		1-	A	
C 2908	CHIP CAP.	0.1uF	25V	F	GRM188F11E104ZA01D	K22145001		1-	A	
C 2909	CHIP CAP.	47pF	50V	CH	GRM1882C1H470JA01D	K22174227		1-	A	
C 2910	CHIP CAP.	0.0033uF	50V	B	GRM188B11H332KA01D	K22174831		1-	A	
C 2911	AL.ELECTRO.CAP.	10uF	35V		ECEV1VA100WR	K48160004		1-	A	
C 2911	AL.ELECTRO.CAP.	10uF	35V		EEE1VA100WR	K48160006		9-	A	
C 2912	CHIP CAP.	0.01uF	50V	B	GRM188B11H103KA01D	K22174823		1-	A	
C 2913	CHIP CAP.	0.01uF	50V	B	GRM188B11H103KA01D	K22174823		1-	A	
C 2914	AL.ELECTRO.CAP.	10uF	35V		ECEV1VA100WR	K48160004		1-	A	
C 2914	AL.ELECTRO.CAP.	10uF	35V		EEE1VA100WR	K48160006		9-	A	
C 2915	CHIP CAP.	10pF	50V	CH	GRM1882C1H100JA01D	K22174211		1-	A	
C 2916	CHIP CAP.	10pF	50V	CH	GRM1882C1H100JA01D	K22174211		1-	A	
C 2917	CHIP CAP.	0.01uF	50V	B	GRM188B11H103KA01D	K22174823		1-	A	
C 2918	AL.ELECTRO.CAP.	10uF	35V		ECEV1VA100WR	K48160004		1-	A	
C 2918	AL.ELECTRO.CAP.	10uF	35V		EEE1VA100WR	K48160006		9-	A	
C 2919	AL.ELECTRO.CAP.	10uF	35V		ECEV1VA100WR	K48160004		1-	A	
C 2919	AL.ELECTRO.CAP.	10uF	35V		EEE1VA100WR	K48160006		9-	A	
J 2901	CONNECTOR				IMSA-9133S-06D	P1090867		1-	A	
J 2902	CONNECTOR				IMSA-9133S-05D	P1090908		1-	A	
Q 2902	IC				PST596HNR	G1092574		1-	A	
Q 2903	IC				TC7S04FU(TE85R.F)	G1091530		1-	A	
Q 2904	IC				ML2500BTAZ03A	G1093715		1-	A	
Q 2905	IC				LMV321IDCKR	G1093969		1-	A	
Q 2906	IC				LMV321IDCKR	G1093969		1-	A	
R 2901	CHIPRES.	10	1/16W	5%	RMC1/16 100JATP	J24185100		1-	A	
R 2902	CHIPRES.	10	1/16W	5%	RMC1/16 100JATP	J24185100		1-	A	
R 2903	CHIPRES.	10	1/16W	5%	RMC1/16 100JATP	J24185100		1-	A	
R 2904	CHIPRES.	10	1/16W	5%	RMC1/16 100JATP	J24185100		1-	A	
R 2906	CHIPRES.	0	1/16W	5%	RMC1/16 000JATP	J24185000		1-	A	
R 2908	CHIPRES.	100k	1/16W	5%	RMC1/16 104JATP	J24185104		1-	A	
R 2909	CHIPRES.	10k	1/16W	5%	RMC1/16 103JATP	J24185103		1-	A	
R 2910	CHIPRES.	4.7k	1/16W	5%	RMC1/16 472JATP	J24185472		1-	A	
R 2911	CHIPRES.	27k	1/16W	5%	RMC1/16 273JATP	J24185273		1-	A	
R 2912	CHIPRES.	10	1/16W	5%	RMC1/16 100JATP	J24185100		1-	A	
R 2913	CHIPRES.	100k	1/16W	5%	RMC1/16 104JATP	J24185104		1-	A	
R 2914	CHIPRES.	22k	1/16W	5%	RMC1/16 223JATP	J24185223		1-	A	
R 2916	CHIPRES.	10k	1/16W	5%	RMC1/16 103JATP	J24185103		1-	A	
R 2917	CHIPRES.	10k	1/16W	5%	RMC1/16 103JATP	J24185103		1-	A	
R 2918	CHIPRES.	47k	1/16W	5%	RMC1/16 473JATP	J24185473		1-	A	
R 2919	CHIPRES.	10k	1/16W	5%	RMC1/16 103JATP	J24185103		1-	A	
R 2920	CHIPRES.	47k	1/16W	5%	RMC1/16 473JATP	J24185473		1-	A	
R 2921	CHIPRES.	10k	1/16W	5%	RMC1/16 103JATP	J24185103		1-	A	
R 2923	CHIPRES.	47k	1/16W	5%	RMC1/16 473JATP	J24185473		1-	A	
R 2924	CHIPRES.	1k	1/16W	5%	RMC1/16 102JATP	J24185102		1-	A	
R 2925	CHIPRES.	1k	1/16W	5%	RMC1/16 102JATP	J24185102		1-	A	
R 2926	CHIPRES.	2.2k	1/16W	5%	RMC1/16 222JATP	J24185222		1-	A	
VR2901	POT.	10k			RH03A3A14X 10K	J51807103		1-	A	

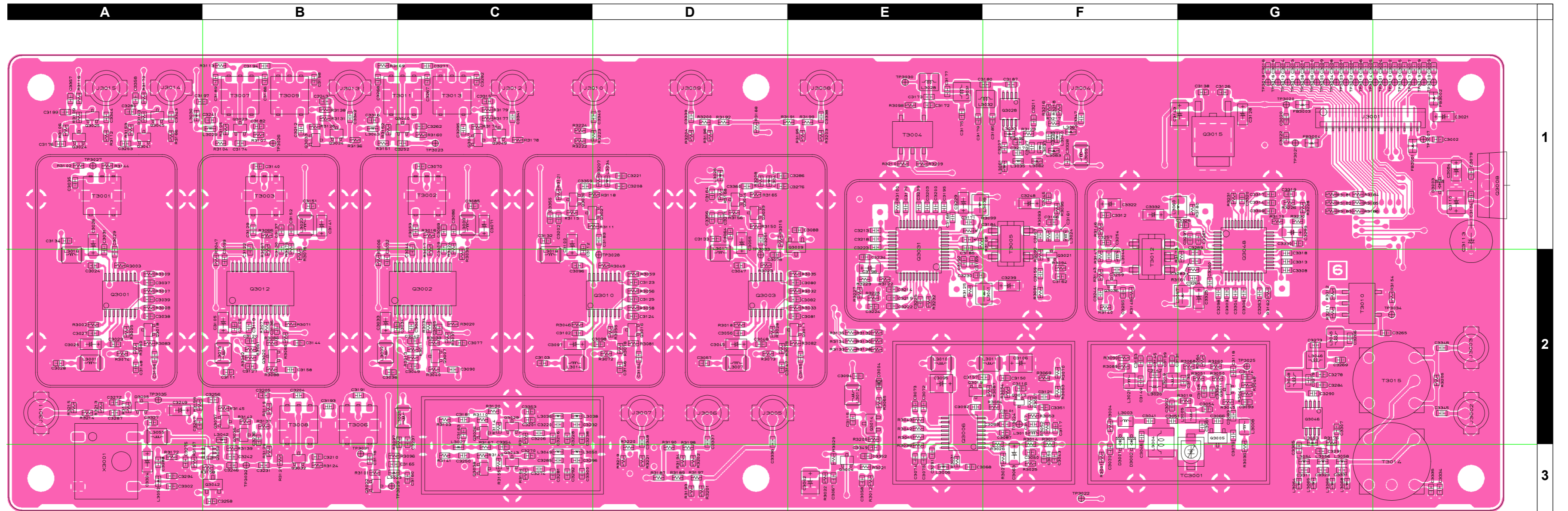
LOCAL-UNIT BR008610G  
(3001-3499)



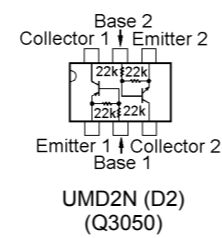
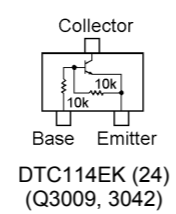
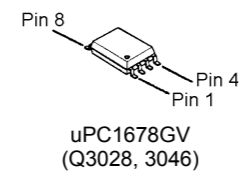
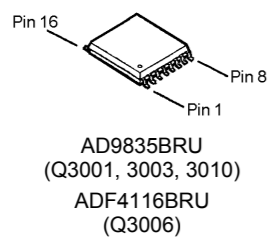
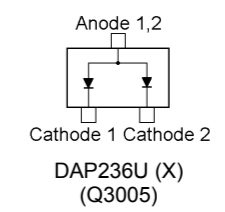
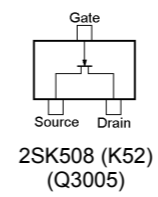
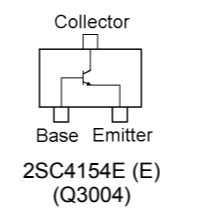
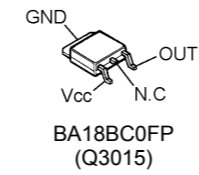
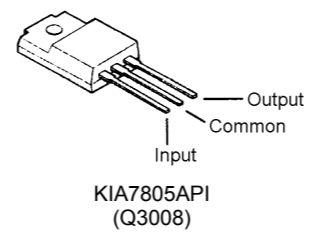
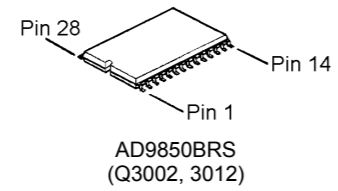
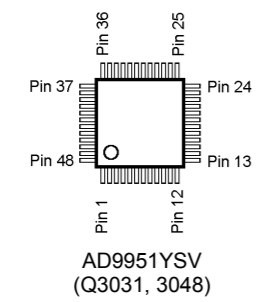


*LOCAL Unit*

*Note*

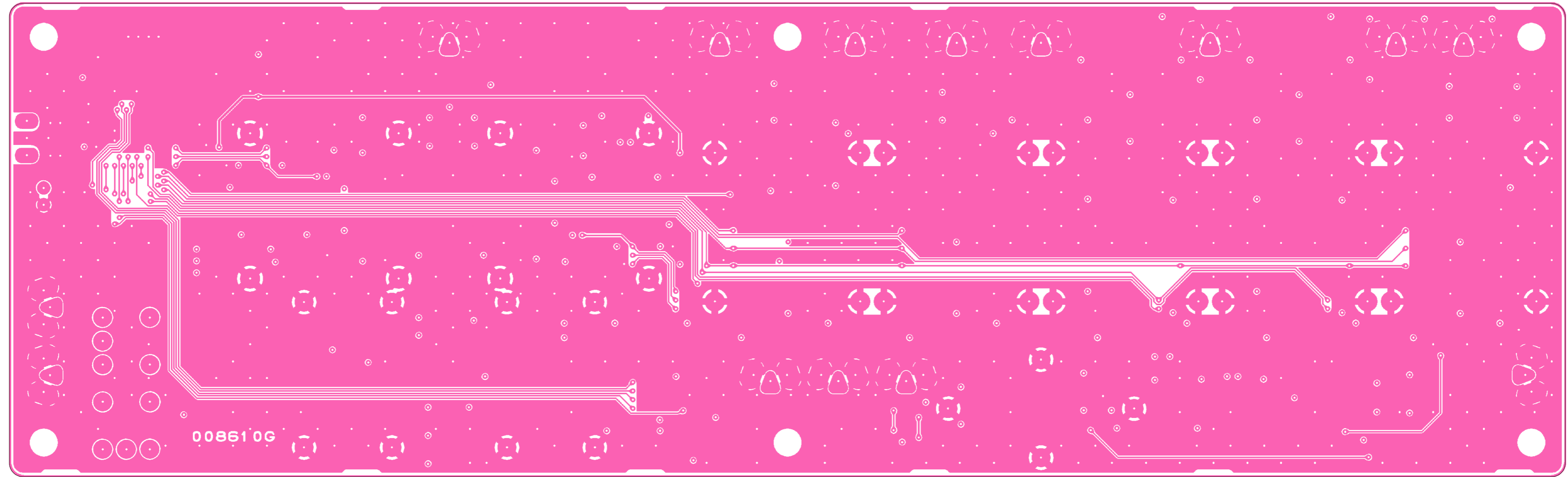


Side A



2SC4400 (RT)  
(Q3007, 3016, 3017,  
3018, 3019, 3020,  
3022, 3023, 3024,  
3025, 3026, 3027,  
3029, 3030, 3032,  
3033, 3034, 3035,  
3037, 3038, 3039,  
3040, 3041, 3043,  
3044, 3045, 3047,  
3049)

2SC5374 (NA)  
(Q3011, 3013, 3021,  
3036)



Side B



# LOCAL Unit

## Parts List

REF	DESCRIPTION	VALUE	V/W	TOL.	MFR'S DESIG	VXSTD P/N	VERS.	LOT	SIDE	LAY ADR
C 3121	CHIP CAP.	0.001uF	50V	B	GRM188B11H102KA01D	K22174821		1-	A	F2
C 3122	CHIP CAP.	0.01uF	50V	B	GRM188B11H103KA01D	K22174823		1-	A	B1
C 3126	CHIP CAP.	0.1uF	16V	B	GRM188B11C104KA01D	K22124805		1-	A	G1
C 3128	CHIP TA.CAP.	0.1uF	35V		TEESVA1V104M8R	K78160025		1-	A	G1
C 3129	CHIP CAP.	0.001uF	50V	B	GRM188B11H102KA01D	K22174809		1-	A	B1
C 3131	CHIP CAP.	6pF	50V	CH	GRM1882C1H6R0DZ01D	K22174207		1-	A	F2
C 3135	CHIP CAP.	2pF	50V	CK	GRM1884C1H2R0CZ01D	K22174203		1-	A	G2
C 3136	CHIP CAP.	0.01uF	50V	B	GRM188B11H103KA01D	K22174823		1-	A	B2
C 3137	CHIP CAP.	0.001uF	50V	B	GRM188B11H102KA01D	K22174809		1-	A	B1
C 3138	CHIP CAP.	0.1uF	16V	B	GRM188B11C104KA01D	K22124805		1-	A	G1
C 3139	CHIP CAP.	12pF	50V	CH	GRM1882C1H120JA01D	K22174213		1-	A	F2
C 3140	CHIP CAP.	82pF	50V	CH	GRM1882C1H820JA01D	K22174233		1-	A	B1
C 3141	CHIP TA.CAP.	10uF	10V		TEESVA1A106M8R	K78100028		1-	A	B1
C 3142	CHIP CAP.	1pF	50V	CK	GRM1884C1H1R0CZ01D	K22174202		1-	A	F2
C 3143	CHIP TA.CAP.	22uF			TPSB226M016Y0600	K78120075		1-	A	G1
C 3144	CHIP CAP.	0.01uF	50V	B	GRM188B11H103KA01D	K22174823		1-	A	B2
C 3145	CHIP CAP.	12pF	50V	CH	GRM1882C1H120JA01D	K22174213		1-	A	F2
C 3146	CHIP CAP.	0.01uF	50V	B	GRM188B11H103KA01D	K22174823		1-	A	D2
C 3147	CHIP CAP.	0.01uF	50V	B	GRM188B11H103KA01D	K22174823		1-	A	D2
C 3148	CHIP CAP.	0.01uF	50V	B	GRM188B11H103KA01D	K22174823		1-	A	A2
C 3149	CHIP CAP.	0.5pF	50V	CK	GRM1884C1HR50CZ01D	K22174201		1-	A	F2
C 3150	CHIP CAP.	0.01uF	50V	B	GRM188B11H103KA01D	K22174823		1-	A	F2
C 3152	CHIP CAP.	0.01uF	50V	B	GRM188B11H103KA01D	K22174823		1-	A	B1
C 3153	CHIP CAP.	7pF	50V	CH	GRM1882C1H7R0DZ01D	K22174208		1-	A	F2
C 3154	CHIP CAP.	0.001uF	50V	B	GRM188B11H102KA01D	K22174809		1-	A	D2
C 3155	CHIP CAP.	0.001uF	50V	B	GRM188B11H102KA01D	K22174809		1-	A	E2
C 3156	CHIP CAP.	0.001uF	50V	B	GRM188B11H102KA01D	K22174809		1-	A	A2
C 3157	CHIP CAP.	0.001uF	50V	B	GRM188B11H102KA01D	K22174809		1-	A	F2
C 3158	CHIP CAP.	0.001uF	50V	B	GRM188B11H102KA01D	K22174809		1-	A	B2
C 3159	CHIP CAP.	0.001uF	50V	B	GRM188B11H102KA01D	K22174809		1-	A	F2
C 3160	CHIP CAP.	0.01uF	50V	B	GRM188B11H103KA01D	K22174823		1-	A	C3
C 3161	CHIP CAP.	15pF	50V	CH	GRM1882C1H150JA01D	K22174215		1-	A	F1
C 3162	CHIP CAP.	0.001uF	50V	B	GRM188B11H102KA01D	K22174809		1-	A	F2
C 3163	CHIP CAP.	0.1uF	16V	B	GRM188B11C104KA01D	K22124805		1-	A	C2
C 3164	CHIP CAP.	0.1uF	16V	B	GRM188B11C104KA01D	K22124805		1-	A	D1
C 3165	CHIP CAP.	330pF	50V	CH	GRM1882C1H331JA01D	K22174253		1-	A	B3
C 3166	CHIP CAP.	0.001uF	50V	B	GRM188B11H102KA01D	K22174809		1-	A	F1
C 3167	CHIP CAP.	0.001uF	50V	B	GRM188B11H102KA01D	K22174821		1-	A	F1
C 3168	CHIP CAP.	0.001uF	50V	B	GRM188B11H102KA01D	K22174809		1-	A	E1
C 3169	CHIP CAP.	0.1uF	16V	B	GRM188B11C104KA01D	K22124805		1-	A	E2
C 3170	CHIP CAP.	1uF	6.3V	B	GRM188B10J105KA01D	K22084801		1-	A	E1
C 3171	CHIP CAP.	0.1uF	16V	B	GRM188B11C104KA01D	K22124805		1-	A	E1
C 3172	CHIP CAP.	27pF	50V	CH	GRM1882C1H270JA01D	K22174221		1-	A	E1
C 3173	CHIP CAP.	7pF	50V	CH	GRM1882C1H7R0DZ01D	K22174208		1-	A	E1
C 3174	CHIP CAP.	10pF	50V	CH	GRM1882C1H100JA01D	K22174211		1-	A	B1
C 3174	CHIP CAP.	33pF	50V	CH	GRM1882C1H330JA01D	K22174223		27-	A	B1
C 3175	CHIP CAP.	47pF	50V	CH	GRM1882C1H470JA01D	K22174227		1-	A	E1
C 3176	CHIP CAP.	1pF	50V	CK	GRM1884C1H1R0CZ01D	K22174202		1-	A	A1
C 3177	CHIP CAP.	4pF	50V	CH	GRM1882C1H4R0CZ01D	K22174205		1-	A	E1
C 3178	CHIP CAP.	0.001uF	50V	B	GRM188B11H102KA01D	K22174809		1-	A	B3
C 3179	CHIP CAP.	56pF	50V	CH	GRM1882C1H560JA01D	K22174229		1-	A	E1
C 3180	CHIP CAP.	1pF	50V	CK	GRM1884C1H1R0CZ01D	K22174202		1-	A	F1
C 3181	CHIP CAP.	0.001uF	50V	B	GRM188B11H102KA01D	K22174809		1-	A	C2
C 3182	CHIP CAP.	0.001uF	50V	B	GRM188B11H102KA01D	K22174809		1-	A	B1
C 3183	CHIP CAP.	9pF	50V	CH	GRM1882C1H9R0DZ01D	K22174210		1-	A	D1
C 3184	CHIP CAP.	0.1uF	16V	B	GRM188B11C104KA01D	K22124805		1-	A	E1
C 3185	CHIP CAP.	33pF	50V	CH	GRM1882C1H330JA01D	K22174223		1-	A	F1
C 3186	CHIP CAP.	0.1uF	16V	B	GRM188B11C104KA01D	K22124805		1-	A	E1
C 3187	CHIP CAP.	0.001uF	50V	B	GRM188B11H102KA01D	K22174809		1-	A	F1
C 3188	CHIP CAP.	82pF	50V	CH	GRM1882C1H820JA01D	K22174233		1-	A	B1
C 3189	CHIP CAP.	0.001uF	50V	B	GRM188B11H102KA01D	K22174809		1-	A	B1
C 3190	CHIP CAP.	0.001uF	50V	B	GRM188B11H102KA01D	K22174809		1-	A	F1
C 3191	CHIP CAP.	51pF	50V	CH	GRM1882C1H510JZ01D	K22174228		1-	A	B2
C 3192	CHIP CAP.	0.1uF	16V	B	GRM188B11C104KA01D	K22124805		1-	A	E2
C 3193	CHIP CAP.	1pF	50V	CK	GRM1884C1H1R0CZ01D	K22174202		1-	A	B2
C 3194	CHIP CAP.	2pF	50V	CK	GRM1884C1H2R0CZ01D	K22174203		1-	A	B1
C 3195	CHIP CAP.	0.1uF	16V	B	GRM188B11C104KA01D	K22124805		1-	A	E1
C 3196	CHIP TA.CAP.	0.22uF	35V		TEESVA1V224M8R	K78160027		1	A	E2
C 3196	TANTALUM CAP.	0.22uF	35V		DN1VR22M1S	K70167224		2-	A	E2
C 3196	CHIP TA.CAP.	0.22uF	35V		TEESVA1V224M8R	K78160027		4-	A	E2
C 3197	CHIP CAP.	0.1uF	16V	B	GRM188B11C104KA01D	K22124805		1-	A	A1
C 3198	CHIP CAP.	82pF	50V	CH	GRM1882C1H820JA01D	K22174233		1-	A	B1
C 3199	CHIP CAP.	0.01uF	50V	B	GRM188B11H103KA01D	K22174823		1-	A	A1

# LOCAL Unit

## Parts List

REF	DESCRIPTION	VALUE	V/W	TOL.	MFR'S DESIG	VXSTD P/N	VERS.	LOT	SIDE	LAY ADR
C 3200	CHIP CAP.	0.1uF	16V	B	GRM188B11C104KA01D	K22124805		1-	A	E1
C 3201	CHIP CAP.	0.001uF	50V	B	GRM188B11H102KA01D	K22174809		1-	A	C2
C 3202	CHIP CAP.	0.001uF	50V	B	GRM188B11H102KA01D	K22174809		1-	A	C1
C 3203	CHIP CAP.	0.1uF	16V	B	GRM188B11C104KA01D	K22124805		1-	A	E1
C 3204	CHIP CAP.	51pF	50V	CH	GRM1882C1H510JZ01D	K22174228		1-	A	B2
C 3205	CHIP CAP.	0.01uF	50V	B	GRM188B11H103KA01D	K22174823		1-	A	B2
C 3206	CHIP CAP.	0.001uF	50V	B	GRM188B11H102KA01D	K22174809		1-	A	C2
C 3207	CHIP CAP.	0.001uF	50V	B	GRM188B11H102KA01D	K22174809		1-	A	F1
C 3209	CHIP CAP.	0.1uF	16V	B	GRM188B11C104KA01D	K22124805		1-	A	E1
C 3210	CHIP CAP.	0.01uF	50V	B	GRM188B11H103KA01D	K22174823		1-	A	B3
C 3211	CHIP CAP.	0.1uF	16V	B	GRM188B11C104KA01D	K22124805		1-	A	F1
C 3212	CHIP CAP.	0.001uF	50V	B	GRM188B11H102KA01D	K22174809		1-	A	B1
C 3213	CHIP CAP.	0.1uF	16V	B	GRM188B11C104KA01D	K22124805		1-	A	E1
C 3216	CHIP CAP.	47pF	50V	CH	GRM1882C1H470JA01D	K22174227		1-	A	C2
C 3217	CHIP CAP.	0.001uF	50V	B	GRM188B11H102KA01D	K22174809		1	A	F1
C 3217	CHIP CAP.	56pF	50V	CH	GRM1882C1H560JZ01D	K22174229		2-	A	F1
C 3218	CHIP CAP.	0.1uF	16V	B	GRM188B11C104KA01D	K22124805		1-	A	E1
C 3220	CHIP CAP.	27pF	50V	CH	GRM1882C1H270JA01D	K22174221		1-	A	C2
C 3223	CHIP CAP.	0.1uF	16V	B	GRM188B11C104KA01D	K22124805		1-	A	E1
C 3224	CHIP CAP.	0.1uF	16V	B	GRM188B11C104KA01D	K22124805		1-3	A	E2
C 3225	CHIP CAP.	0.1uF	16V	B	GRM188B11C104KA01D	K22124805		1-	A	E2
C 3227	CHIP CAP.	0.001uF	50V	B	GRM188B11H102KA01D	K22174809		1	A	F1
C 3227	CHIP CAP.	56pF	50V	CH	GRM1882C1H560JA01D	K22174229		2-	A	F1
C 3228	CHIP CAP.	100pF	50V	CH	GRM1882C1H101JA01D	K22174235		1-	A	C2
C 3229	CHIP TA.CAP.	1uF	16V		TEESVA21C105M8R	K78120024		1-	A	E1
C 3230	CHIP CAP.	0.1uF	16V	B	GRM188B11C104KA01D	K22124805		1-	A	E2
C 3231	CHIP CAP.	0.01uF	50V	B	GRM188B11H103KA01D	K22174823		1-	A	B3
C 3232	CHIP CAP.	9pF	50V	CH	GRM1882C1H9R0DZ01D	K22174210		1-	A	C2
C 3234	CHIP CAP.	0.001uF	50V	B	GRM188B11H102KA01D	K22174809		1-	A	E2
C 3235	CHIP CAP.	0.001uF	50V	B	GRM188B11H102KA01D	K22174809		2-	A	F1
C 3236	CHIP CAP.	0.01uF	50V	B	GRM188B11H103KA01D	K22174823		1-	A	B2
C 3237	CHIP CAP.	0.1uF	16V	B	GRM188B11C104KA01D	K22124805		1-	A	C2
C 3238	CHIP CAP.	56pF	50V	CH	GRM1882C1H560JA01D	K22174229		1-	A	C2
C 3239	CHIP TA.CAP.	1uF	16V		TEESVA21C105M8R	K78120024		1-	A	F2
C 3241	CHIP CAP.	0.1uF	16V	B	GRM188B11C104KA01D	K22124805		1-	A	B1
C 3242	CHIP CAP.	0.01uF	50V	B	GRM188B11H103KA01D	K22174823		1-	A	B3
C 3243	CHIP CAP.	0.01uF	50V	B	GRM188B11H103KA01D	K22174823		1-	A	B1
C 3244	CHIP CAP.	0.001uF	50V	B	GRM188B11H102KA01D	K22174809		1-	A	F2
C 3245	CHIP CAP.	0.01uF	50V	B	GRM188B11H103KA01D	K22174823		1-	A	F1
C 3246	CHIP CAP.	330pF	50V	CH	GRM1882C1H331JA01D	K22174253		1-	A	B3
C 3247	CHIP CAP.	0.01uF	50V	B	GRM188B11H103KA01D	K22174823		1-	A	A2
C 3248	CHIP TA.CAP.	1uF	16V		TEESVA21C105M8R	K78120024		1-	A	F1
C 3249	CHIP TA.CAP.	1uF	16V		TEESVA21C105M8R	K78120024		1-	A	A2
C 3250	CHIP CAP.	0.001uF	50V	B	GRM188B11H102KA01D	K22174809		1-	A	C3
C 3251	CHIP CAP.	9pF	50V	CH	GRM1882C1H9R0DZ01D	K22174210		1-	A	D1
C 3252	CHIP CAP.	10pF	50V	CH	GRM1882C1H100JA01D	K22174211		1-	A	C1
C 3252	CHIP CAP.	33pF	50V	CH	GRM1882C1H330JA01D	K22174223		27-	A	C1
C 3253	CHIP CAP.	1pF	50V	CK	GRM1884C1H1R0CZ01D	K22174202		1-	A	A1
C 3254	CHIP CAP.	15pF	50V	CH	GRM1882C1H150JA01D	K22174215		1-	A	F2
C 3255	CHIP CAP.	0.001uF	50V	B	GRM188B11H102KA01D	K22174809		1-	A	F2
C 3256	CHIP CAP.	0.01uF	50V	B	GRM188B11H103KA01D	K22174823		1-	A	B2
C 3257	CHIP CAP.	0.001uF	50V	B	GRM188B11H102KA01D	K22174809		1-	A	F1
C 3258	CHIP CAP.	0.001uF	50V	B	GRM188B11H102KA01D	K22174809		1-	A	B3
C 3259	CHIP CAP.	0.001uF	50V	B	GRM188B11H102KA01D	K22174821		1-	A	F2
C 3260	CHIP CAP.	0.001uF	50V	B	GRM188B11H102KA01D	K22174809		1-	A	G2
C 3261	CHIP CAP.	0.1uF	16V	B	GRM188B11C104KA01D	K22124805		1-	A	G1
C 3262	CHIP CAP.	0.001uF	50V	B	GRM188B11H102KA01D	K22174809		1-	A	C1
C 3263	CHIP CAP.	1uF	6.3V	B	GRM188B10J105KA01D	K22084801		1-	A	G2
C 3264	CHIP CAP.	0.1uF	16V	B	GRM188B11C104KA01D	K22124805		1-	A	G2
C 3265	CHIP CAP.	27pF	50V	CH	GRM1882C1H270JA01D	K22174221		1-	A	H2
C 3266	CHIP CAP.	2pF	50V	CK	GRM1884C1H2R0CZ01D	K22174203		1	A	G2
C 3266	CHIP CAP.	7pF	50V	CH	GRM1882C1H7R0DZ01D	K22174208		2-	A	G2
C 3267	CHIP CAP.	82pF	50V	CH	GRM1882C1H820JA01D	K22174233		1-	A	C1
C 3268	CHIP CAP.	0.001uF	50V	B	GRM188B11H102KA01D	K22174809		1-	A	B1
C 3269	CHIP CAP.	47pF	50V	CH	GRM1882C1H470JA01D	K22174227		1-	A	G2
C 3270	CHIP CAP.	0.001uF	50V	B	GRM188B11H102KA01D	K22174809		1-	A	C3
C 3271	CHIP CAP.	0.001uF	50V	B	GRM188B11H102KA01D	K22174809		1-	A	D1
C 3272	CHIP CAP.	0.01uF	50V	B	GRM188B11H103KA01D	K22174823		1-	A	A2
C 3273	CHIP CAP.	5pF	50V	CH	GRM1882C1H5R0CZ01D	K22174206		1	A	G2
C 3273	CHIP CAP.	4pF	50V	CH	GRM1882C1H4R0CZ01D	K22174205		2-	A	G2
C 3274	CHIP CAP.	0.001uF	50V	B	GRM188B11H102KA01D	K22174809		1-	A	C3
C 3275	CHIP CAP.	0.01uF	50V	B	GRM188B11H103KA01D	K22174823		1-	A	A3
C 3277	CHIP CAP.	2pF	50V	CK	GRM1884C1H2R0CZ01D	K22174203		1-	A	C1

# LOCAL Unit

## Parts List

REF	DESCRIPTION	VALUE	V/W	TOL.	MFR'S DESIG	VXSTD P/N	VERS.	LOT	SIDE	LAY ADR
C 3278	CHIP CAP.	56pF	50V	CH	GRM1882C1H560JA01D	K22174229		1-	A	G2
C 3279	CHIP CAP.	12pF	50V	CH	GRM1882C1H120JA01D	K22174213		1	A	G2
C 3279	CHIP CAP.	1pF	50V	CK	GRM1884C1H1R0CZ01D	K22174202		2-	A	G2
C 3280	CHIP CAP.	0.01uF	50V	B	GRM188B11H103KA01D	K22174823		1-	A	A1
C 3281	CHIP CAP.	47pF	50V	CH	GRM1882C1H470JA01D	K22174227		1-	A	C3
C 3282	CHIP CAP.	82pF	50V	CH	GRM1882C1H820JA01D	K22174233		1-	A	C1
C 3283	CHIP CAP.	0.1uF	16V	B	GRM188B11C104KA01D	K22124805		1-	A	G2
C 3284	CHIP CAP.	33pF	50V	CH	GRM1882C1H330JA01D	K22174223		1-	A	G2
C 3285	CHIP CAP.	27pF	50V	CH	GRM1882C1H270JA01D	K22174221		1-	A	C3
C 3287	CHIP CAP.	0.01uF	50V	B	GRM188B11H103KA01D	K22174823		1-	A	A2
C 3288	CHIP CAP.	0.01uF	50V	B	GRM188B11H103KA01D	K22174823		1-	A	A3
C 3289	CHIP CAP.	0.1uF	16V	B	GRM188B11C104KA01D	K22124805		1-	A	G2
C 3290	CHIP CAP.	0.001uF	50V	B	GRM188B11H102KA01D	K22174809		1-	A	G2
C 3291	CHIP CAP.	0.001uF	50V	B	GRM188B11H102KA01D	K22174809		1-	A	G3
C 3292	CHIP CAP.	100pF	50V	CH	GRM1882C1H101JA01D	K22174235		1-	A	C3
C 3294	CHIP CAP.	330pF	50V	B	GRM188B11H331KDO1D	K22174803		1-	A	A3
C 3295	CHIP CAP.	0.001uF	50V	B	GRM188B11H102KA01D	K22174809		1-	A	C1
C 3296	CHIP CAP.	9pF	50V	CH	GRM1882C1H9R0DZ01D	K22174210		1-	A	C3
C 3297	CHIP CAP.	0.1uF	16V	B	GRM188B11C104KA01D	K22124805		1-	A	G1
C 3298	CHIP CAP.	0.1uF	16V	B	GRM188B11C104KA01D	K22124805		1-	A	G2
C 3299	CHIP TA.CAP.	0.22uF	35V		TEESVA1V224M8R	K78160027		1	A	G1
C 3299	TANTALUM CAP.	0.22uF	35V		DN1VR22M1S	K70167224		2-	A	G1
C 3299	CHIP TA.CAP.	0.22uF	35V		TEESVA1V224M8R	K78160027		4-	A	G1
C 3300	CHIP CAP.	56pF	50V	CH	GRM1882C1H560JA01D	K22174229		1-	A	C3
C 3302	CHIP CAP.	330pF	50V	B	GRM188B11H331KDO1D	K22174803		1-	A	A3
C 3303	CHIP CAP.	0.1uF	16V	B	GRM188B11C104KA01D	K22124805		1-	A	G2
C 3304	CHIP CAP.	0.1uF	16V	B	GRM188B11C104KA01D	K22124805		1-	A	G2
C 3305	CHIP CAP.	0.001uF	50V	B	GRM188B11H102KA01D	K22174809		1-	A	G3
C 3306	CHIP CAP.	0.1uF	16V	B	GRM188B11C104KA01D	K22124805		1-	A	G2
C 3307	CHIP CAP.	0.1uF	16V	B	GRM188B11C104KA01D	K22124805		1-	A	G2
C 3308	CHIP CAP.	0.1uF	16V	B	GRM188B11C104KA01D	K22124805		1-	A	G2
C 3311	CHIP CAP.	0.001uF	50V	B	GRM188B11H102KA01D	K22174809		1	A	G3
C 3311	CHIP CAP.	56pF	50V	CH	GRM1882C1H560JA01D	K22174229		2-	A	G3
C 3312	CHIP CAP.	0.01uF	50V	B	GRM188B11H103KA01D	K22174823		1-	A	F1
C 3313	CHIP CAP.	0.1uF	16V	B	GRM188B11C104KA01D	K22124805		1-	A	G2
C 3315	CHIP CAP.	0.01uF	50V	B	GRM188B11H103KA01D	K22174823		1-	A	C1
C 3316	CHIP CAP.	0.1uF	16V	B	GRM188B11C104KA01D	K22124805		1-	A	B1
C 3318	CHIP CAP.	0.1uF	16V	B	GRM188B11C104KA01D	K22124805		1-	A	G2
C 3319	CHIP CAP.	0.1uF	16V	B	GRM188B11C104KA01D	K22124805		1-3	A	G1
C 3320	CHIP CAP.	0.1uF	16V	B	GRM188B11C104KA01D	K22124805		1-	A	G1
C 3322	CHIP TA.CAP.	1uF	16V		TEESVA21C105M8R	K78120024		1-	A	F1
C 3323	CHIP CAP.	0.001uF	50V	B	GRM188B11H102KA01D	K22174809		1	A	G3
C 3323	CHIP CAP.	56pF	50V	CH	GRM1882C1H560JA01D	K22174229		2-	A	G3
C 3324	CHIP TA.CAP.	1uF	16V		TEESVA21C105M8R	K78120024		1-	A	A3
C 3325	CHIP TA.CAP.	1uF	16V		TEESVA21C105M8R	K78120024		1-	A	G2
C 3326	CHIP CAP.	0.1uF	16V	B	GRM188B11C104KA01D	K22124805		1-	A	G1
C 3327	CHIP CAP.	0.01uF	50V	B	GRM188B11H103KA01D	K22174823		1-	A	A2
C 3328	CHIP CAP.	0.1uF	16V	B	GRM188B11C104KA01D	K22124805		1-	A	F1
C 3330	CHIP CAP.	0.001uF	50V	B	GRM188B11H102KA01D	K22174809		1-	A	G1
C 3331	CHIP CAP.	0.001uF	50V	B	GRM188B11H102KA01D	K22174809		1-	A	G3
C 3332	CHIP TA.CAP.	1uF	16V		TEESVA21C105M8R	K78120024		1-	A	F1
C 3334	CHIP CAP.	0.001uF	50V	B	GRM188B11H102KA01D	K22174809		1-	A	H3
C 3335	CHIP CAP.	0.1uF	16V	B	GRM188B11C104KA01D	K22124805		1-	A	H3
C 3336	CHIP CAP.	0.001uF	50V	B	GRM188B11H102KA01D	K22174809		1-	A	D2
C 3337	CHIP CAP.	0.001uF	50V	B	GRM188B11H102KA01D	K22174809		1-	A	D2
C 3338	CHIP CAP.	0.01uF	50V	B	GRM188B11H103KA01D	K22174823		1	A	E1
C 3338	CHIP CAP.	0.1uF	16V	B	GRM188B11C104KA01D	K22124805		2-	A	E1
C 3339	CHIP CAP.	0.01uF	50V	B	GRM188B11H103KA01D	K22174823		1	A	D1
C 3339	CHIP CAP.	0.1uF	16V	B	GRM188B11C104KA01D	K22124805		2-	A	D1
C 3340	CHIP CAP.	0.1uF	16V	B	GRM188B11C104KA01D	K22124805		2-	A	D1
C 3341	CHIP CAP.	0.01uF	50V	B	GRM188B11H103KA01D	K22174823		1-	A	C1
C 3342	CHIP CAP.	0.01uF	50V	B	GRM188B11H103KA01D	K22174823		1-	A	B1
C 3343	CHIP CAP.	0.01uF	50V	B	GRM188B11H103KA01D	K22174823		1-	A	A1
C 3344	CHIP CAP.	0.01uF	50V	B	GRM188B11H103KA01D	K22174823		1-	A	A1
C 3345	CHIP CAP.	0.001uF	50V	B	GRM188B11H102KA01D	K22174809		1-	A	H2
C 3346	CHIP CAP.	0.001uF	50V	B	GRM188B11H102KA01D	K22174809		1-	A	H2
C 3347	CHIP CAP.	0.001uF	50V	B	GRM188B11H102KA01D	K22174809		1-	A	F1
C 3348	CHIP CAP.	0.001uF	50V	B	GRM188B11H102KA01D	K22174809		2-	A	D2
C 3349	CHIP CAP.	0.1uF	16V	B	GRM188B11C104KA01D	K22124805		1-	A	E3
C 3350	CHIP CAP.	0.1uF	16V	B	GRM188B11C104KA01D	K22124805		1-	A	G2
C 3351	CHIP CAP.	0.1uF	16V	B	GRM188B11C104KA01D	K22124805		1-	A	F2
C 3352	CHIP CAP.	0.001uF	50V	B	GRM188B11H102KA01D	K22174809		1-	A	E3
C 3353	CHIP CAP.	0.1uF	16V	B	GRM188B11C104KA01D	K22124805		1-	A	C2

# LOCAL Unit

## Parts List

REF	DESCRIPTION	VALUE	V/W	TOL.	MFR'S DESIG	VXSTD P/N	VERS.	LOT	SIDE	LAY ADR
C 3354	CHIP CAP.	0.1uF	16V	B	GRM188B11C104KA01D	K22124805		1-	A	C3
C 3355	CHIP CAP.	0.1uF	16V	B	GRM188B11C104KA01D	K22124805		1-	A	C1
C 3356	CHIP CAP.	0.1uF	16V	B	GRM188B11C104KA01D	K22124805		1-	A	D1
C 3359	CHIP CAP.	0.1uF	16V	B	GRM188B11C104KA01D	K22124805		1-	A	C1
C 3360	CHIP CAP.	0.1uF	16V	B	GRM188B11C104KA01D	K22124805		1-	A	D1
D 3001	DIODE				1SV229(TPH3.F)	G2070256		1-	A	F2
D 3002	DIODE				1SV229(TPH3.F)	G2070256		1-	A	F2
D 3003	DIODE				BAS316	G2070716		1-	A	H1
D 3005	DIODE				DAP236U T106	G2070592		1-	A	A2
FB3001	CHIP COIL				BLM21PG300SN1D	L1690840		1-	A	H1
FB3002	CHIP COIL				BLM21PG300SN1D	L1690840		1-	A	H1
FB3003	CHIP COIL				BLM21PG300SN1D	L1690840		1-	A	G1
FB3004	CHIP COIL				BLM21PG300SN1D	L1690840		1-	A	G1
J 3001	CONNECTOR				30FLT-SM2-TB(LF)(SN)(M)	P1091142		1-	A	G1
J 3002	CONNECTOR				TMP-J01X-V6	P1090210		1-	A	H2
J 3003	CONNECTOR				TMP-J01X-V6	P1090210		1-	A	H2
J 3004	CONNECTOR				TMP-J01X-V6	P1090210		1-	A	F1
J 3005	CONNECTOR				TMP-J01X-V6	P1090210		1-	A	D2
J 3006	CONNECTOR				TMP-J01X-V6	P1090210		1-	A	D2
J 3007	CONNECTOR				TMP-J01X-V6	P1090210		1-	A	D2
J 3008	CONNECTOR				TMP-J01X-V6	P1090210		1-	A	E1
J 3009	CONNECTOR				TMP-J01X-V6	P1090210		1-	A	D1
J 3010	CONNECTOR				TMP-J01X-V6	P1090210		1-	A	D1
J 3011	CONNECTOR				TMP-J01X-V6	P1090210		1-	A	A2
J 3012	CONNECTOR				TMP-J01X-V6	P1090210		1-	A	C1
J 3013	CONNECTOR				TMP-J01X-V6	P1090210		1-	A	B1
J 3014	CONNECTOR				TMP-J01X-V6	P1090210		1-	A	A1
J 3015	CONNECTOR				TMP-J01X-V6	P1090210		1-	A	A1
JP3001	WIRE ASSY				GRN 35 2/2	T50503500		1-3		
JP3002	WIRE ASSY				GRN 75 2/2	T50507500		1-3		
L 3001	M.RFC	100uH			FLC32T-101J	L1690227		1-	A	A2
L 3002	M.RFC	100uH			FLC32T-101J	L1690227		1-	A	B2
L 3003	M.RFC	1uH		5%	C2012C-1R0J	L1691160		1-	A	F2
L 3004	COIL	0.01uH			AS1003-10NK	L0022544		1-	A	F2
L 3005	M.RFC	0.33uH		5%	C2012C-R33J	L1691018		1-	A	G2
L 3006	M.RFC	10uH			LK1608 100K-T	L1690689		1-	A	E3
L 3007	M.RFC	100uH			FLC32T-101J	L1690227		1-	A	D2
L 3008	M.RFC	1uH		5%	C2012C-1R0J	L1691160		1-	A	G2
L 3009	M.RFC	100uH			FLC32T-101J	L1690227		1-	A	C1
L 3010	M.RFC	100uH			FLC32T-101J	L1690227		1-	A	E2
L 3011	M.RFC	100uH			FLC32T-101J	L1690227		1-	A	F2
L 3012	M.RFC	100uH			FLC32T-101J	L1690227		1-	A	E2
L 3013	M.RFC	100uH			FLC32T-101J	L1690227		1-	A	B2
L 3014	M.RFC	100uH			FLC32T-101J	L1690227		1-	A	C2
L 3015	M.RFC	0.01uH		2%	C1608CB-10NG-RF	L1691032		1-	A	F2
L 3016	M.RFC	100uH			FLC32T-101J	L1690227		1-	A	A2
L 3017	M.RFC	100uH			FLC32T-101J	L1690227		1-	A	D2
L 3018	M.RFC	100uH			FLC32T-101J	L1690227		1-	A	C2
L 3019	M.RFC	0.018uH		5%	C2012C-18NJ	L1690783		1-	A	F2
L 3020	M.RFC	0.022uH		5%	C2012C-22NJ	L1690784		1-	A	F2
L 3021	M.RFC	0.022uH		5%	C2012C-22NJ	L1690784		1-	A	F2
L 3022	M.RFC	100uH			FLC32T-101J	L1690227		1-	A	B1
L 3023	M.RFC	0.047uH			HK1608 47NJ-T	L1690524		1-	A	B3
L 3024	M.RFC	0.01uH		2%	C1608CB-10NG-RF	L1691032		1-	A	F1
L 3025	M.RFC	100uH			FLC32T-101J	L1690227		1-	A	C2
L 3026	M.RFC	10uH			LK1608 100K-T	L1690689		1-	A	D1
L 3027	M.RFC	10uH			LK1608 100K-T	L1690689		1-	A	C3
L 3028	CHIP COIL	0.082uH			C2520C-82NK	L1690543		1-	A	E1
L 3029	M.RFC	10uH			LK1608 100K-T	L1690689		1-	A	B1
L 3030	M.RFC	10uH			LK1608 100K-T	L1690689		1-	A	A1
L 3031	CHIP COIL	0.1uH			C2520C-R10J	L1690544		1-	A	E1
L 3032	CHIP COIL	0.1uH			C2520C-R10J	L1690544		1-	A	F1
L 3033	M.RFC	0.33uH			LK1608 R33K-T	L1690412		1-	A	F1
L 3036	M.RFC	0.15uH			LK1608 R15K-T	L1690409		1-	A	C2
L 3038	M.RFC	0.18uH			LK1608 R18K-T	L1690392		1-	A	C2
L 3039	CHIP COIL	10uH			LQH32MN100K23L	L1690087		1-	A	E1
L 3041	CHIP COIL	10uH			LQH32MN100K23L	L1690087		1-	A	F2
L 3042	M.RFC	0.047uH			HK1608 47NJ-T	L1690524		1-	A	B2
L 3043	M.RFC	10uH			LK1608 100K-T	L1690689		1-	A	B1
L 3044	M.RFC	0.01uH		2%	C1608CB-10NG-RF	L1691032		1-	A	F2
L 3045	CHIP COIL	0.082uH			C2520C-82NK	L1690543		1-	A	G2
L 3046	CHIP COIL	0.1uH			C2520C-R10J	L1690544		1-	A	G2
L 3048	CHIP COIL	0.1uH			C2520C-R10J	L1690544		1-	A	G2



# LOCAL Unit

## Parts List

REF	DESCRIPTION	VALUE	V/W	TOL.	MFR'S DESIG	VXSTD P/N	VERS.	LOT	SIDE	LAY ADR
L 3049	M.RFC	0.15uH			LK1608 R15K-T	L1690409		1-	A	C3
L 3050	M.RFC	0.18uH			LK1608 R18K-T	L1690392		1-	A	C3
L 3052	M.RFC	0.82uH			LK1608 R82K-T	L1690417		1-	A	A3
L 3053	M.RFC	0.33uH			LK1608 R33K-T	L1690412		1-	A	G2
L 3055	M.RFC	100uH			FLC32T-101J	L1690227		1-	A	A2
L 3057	CHIPCOIL	10uH			LQH32MN100K23L	L1690087		1-	A	G2
L 3059	M.RFC	100uH			FLC32T-101J	L1690227		1-	A	F1
L 3060	CHIPCOIL	10uH			LQH32MN100K23L	L1690087		1-	A	F1
L 3061	M.RFC	0.22uH			HK1608 R22J-T	L1690940		2-	A	F1
L 3062	M.RFC	0.12uH			HK1608 R12J-T	L1690937		2-	A	F1
L 3063	M.RFC	0.22uH			HK1608 R22J-T	L1690940		2-	A	F1
L 3064	M.RFC	0.22uH			HK1608 R22J-T	L1690940		2-	A	G3
L 3065	M.RFC	0.12uH			HK1608 R12J-T	L1690937		2-	A	G3
L 3066	M.RFC	0.22uH			HK1608 R22J-T	L1690940		2-	A	G3
Q 3001	IC				AD9835BRUZ-REEL7	G1093142		1-	A	A2
Q 3002	IC				AD9850BRSZ-REEL	G1092567		1-	A	C2
Q 3003	IC				AD9835BRUZ-REEL7	G1093142		1-	A	D2
Q 3004	TRANSISTOR				2SC4154-T111-1E	G3341548E		1-	A	E3
Q 3004	TRANSISTOR				2SC4081 T106	G3340818		29-	A	E3
Q 3005	FET				2SK508-T2B K52 A	G3805087B		1-	A	G2
Q 3006	IC				ADF4116BRU(TAPE)	G1093581		1-	A	E2
Q 3007	TRANSISTOR				2SC4400-3-TL	G3344008C		1-	A	C2
Q 3008	IC				KIA7805API	G1093163		1-	A	H1
Q 3009	TRANSISTOR				DTC114EK T146	G3070002		1-	A	E1
Q 3010	IC				AD9835BRUZ-REEL7	G1093142		1-	A	D2
Q 3011	TRANSISTOR				2SC5374-TL	G3353748		1-	A	G2
Q 3012	IC				AD9850BRSZ-REEL	G1092567		1-	A	B2
Q 3013	TRANSISTOR				2SC5374-TL	G3353748		1-	A	F2
Q 3015	IC				BA18BC0FP-E2	G1094034		1-	A	G1
Q 3016	TRANSISTOR				2SC4400-3-TL	G3344008C		1-	A	D2
Q 3017	TRANSISTOR				2SC4400-3-TL	G3344008C		1-	A	E2
Q 3018	TRANSISTOR				2SC4400-3-TL	G3344008C		1-	A	A2
Q 3019	TRANSISTOR				2SC4400-3-TL	G3344008C		1-	A	E2
Q 3020	TRANSISTOR				2SC4400-3-TL	G3344008C		1-	A	B2
Q 3021	TRANSISTOR				2SC5374-TL	G3353748		1-	A	F2
Q 3022	TRANSISTOR				2SC4400-3-TL	G3344008C		1-	A	B3
Q 3023	TRANSISTOR				2SC4400-3-TL	G3344008C		1-	A	B1
Q 3024	TRANSISTOR				2SC4400-3-TL	G3344008C		1-	A	A1
Q 3025	TRANSISTOR				2SC4400-3-TL	G3344008C		1-	A	A1
Q 3026	TRANSISTOR				2SC4400-3-TL	G3344008C		1-	A	C2
Q 3027	TRANSISTOR				2SC4400-3-TL	G3344008C		1-	A	C1
Q 3028	IC				UPC1678GV-E1	G1094126		1-	A	F1
Q 3029	TRANSISTOR				2SC4400-3-TL	G3344008C		1-	A	C2
Q 3030	TRANSISTOR				2SC4400-3-TL	G3344008C		1-	A	C1
Q 3031	IC				AD9951YSVZ-REEL7	G1094023		1-	A	E2
Q 3032	TRANSISTOR				2SC4400-3-TL	G3344008C		1-	A	B3
Q 3033	TRANSISTOR				2SC4400-3-TL	G3344008C		1-	A	B1
Q 3034	TRANSISTOR				2SC4400-3-TL	G3344008C		1-	A	B1
Q 3035	TRANSISTOR				2SC4400-3-TL	G3344008C		1-	A	B2
Q 3036	TRANSISTOR				2SC5374-TL	G3353748		1-	A	F2
Q 3037	TRANSISTOR				2SC4400-3-TL	G3344008C		1-	A	B2
Q 3038	TRANSISTOR				2SC4400-3-TL	G3344008C		1-	A	C3
Q 3039	TRANSISTOR				2SC4400-3-TL	G3344008C		1-	A	D1
Q 3040	TRANSISTOR				2SC4400-3-TL	G3344008C		1-	A	C1
Q 3041	TRANSISTOR				2SC4400-3-TL	G3344008C		1-	A	A1
Q 3042	TRANSISTOR				DTC114EK T146	G3070002		1-	A	B3
Q 3043	TRANSISTOR				2SC4400-3-TL	G3344008C		1-	A	C3
Q 3044	TRANSISTOR				2SC4400-3-TL	G3344008C		1-	A	D1
Q 3045	TRANSISTOR				2SC4400-3-TL	G3344008C		1-	A	A1
Q 3046	IC				UPC1678GV-E1	G1094126		1-	A	G2
Q 3047	TRANSISTOR				2SC4400-3-TL	G3344008C		1-	A	C1
Q 3048	IC				AD9951YSVZ-REEL7	G1094023		1-	A	G2
Q 3049	TRANSISTOR				2SC4400-3-TL	G3344008C		1-	A	C1
Q 3050	TRANSISTOR				UMD2NTR	G3070076		1-	A	B3
R 3001	CHIPRES.	10k	1/16W	5%	RMC1/16 103JATP	J24185103		1-	A	F3
R 3002	CHIPRES.	3.9k	1/16W	5%	RMC1/16 392JATP	J24185392		1-	A	A2
R 3003	CHIPRES.	47	1/16W	5%	RMC1/16 470JATP	J24185470		1-	A	A2
R 3004	CHIPRES.	100	1/16W	5%	RMC1/16 101JATP	J24185101		1-	A	F2
R 3005	CHIPRES.	100	1/16W	5%	RMC1/16 101JATP	J24185101		1-	A	A2
R 3006	CHIPRES.	100	1/16W	5%	RMC1/16 101JATP	J24185101		1-	A	B2
R 3007	CHIPRES.	100	1/16W	5%	RMC1/16 101JATP	J24185101		1-	A	A2
R 3008	CHIPRES.	100	1/16W	5%	RMC1/16 101JATP	J24185101		1-	A	A2
R 3009	CHIPRES.	100	1/16W	5%	RMC1/16 101JATP	J24185101		1-	A	A2

# LOCAL Unit

## Parts List

REF	DESCRIPTION	VALUE	V/W	TOL.	MFR'S DESIG	VXSTD P/N	VERS.	LOT	SIDE	LAY ADR
R 3010	CHIPRES.	0	1/16W	5%	RMC1/16 000JATP	J24185000		1-	A	F2
R 3011	CHIPRES.	100	1/16W	5%	RMC1/16 101JATP	J24185101		1-	A	C2
R 3013	CHIPRES.	100	1/16W	5%	RMC1/16 101JATP	J24185101		1-	A	C2
R 3014	CHIPRES.	2.2k	1/16W	5%	RMC1/16 222JATP	J24185222		1-	A	F2
R 3015	CHIPRES.	10k	1/16W	5%	RMC1/16 103JATP	J24185103		1-	A	D1
R 3016	CHIPRES.	47	1/16W	5%	RMC1/16 470JATP	J24185470		1-	A	C1
R 3017	CHIPRES.	27	1/16W	5%	RMC1/16 270JATP	J24185270		1-	A	C1
R 3018	CHIPRES.	3.9k	1/16W	5%	RMC1/16 392JATP	J24185392		1-	A	D2
R 3019	CHIPRES.	330	1/16W	5%	RMC1/16 331JATP	J24185331		1-	A	G2
R 3020	CHIPRES.	3.9k	1/16W	5%	RMC1/16 392JATP	J24185392		1-	A	C2
R 3021	CHIPRES.	0	1/16W	5%	RMC1/16 000JATP	J24185000		1-	A	E3
R 3022	CHIPRES.	4.7k	1/16W	5%	RMC1/16 472JATP	J24185472		1-	A	E3
R 3023	CHIPRES.	47	1/16W	5%	RMC1/16 470JATP	J24185470		1-	A	D2
R 3024	CHIPRES.	1k	1/16W	5%	RMC1/16 102JATP	J24185102		1-	A	C1
R 3025	CHIPRES.	4.7k	1/16W	5%	RMC1/16 472JATP	J24185472		1-	A	F3
R 3026	CHIPRES.	0	1/16W	5%	RMC1/16 000JATP	J24185000		1-	A	F2
R 3028	CHIPRES.	100	1/16W	5%	RMC1/16 101JATP	J24185101		1-	A	D2
R 3029	CHIPRES.	1k	1/16W	5%	RMC1/16 102JATP	J24185102		1-	A	E3
R 3030	CHIPRES.	1k	1/16W	5%	RMC1/16 102JATP	J24185102		1-	A	C2
R 3031	CHIPRES.	47	1/16W	5%	RMC1/16 470JATP	J24185470		1-	A	E3
R 3032	CHIPRES.	100	1/16W	5%	RMC1/16 101JATP	J24185101		1-	A	E2
R 3033	CHIPRES.	100	1/16W	5%	RMC1/16 101JATP	J24185101		1-	A	E2
R 3034	CHIPRES.	0	1/16W	5%	RMC1/16 000JATP	J24185000		1-	A	C2
R 3035	CHIPRES.	100	1/16W	5%	RMC1/16 101JATP	J24185101		1-	A	E2
R 3036	CHIPRES.	150	1/16W	5%	RMC1/16 151JATP	J24185151		1-	A	G3
R 3037	CHIPRES.	100	1/16W	5%	RMC1/16 101JATP	J24185101		1-	A	C2
R 3038	CHIPRES.	470	1/16W	5%	RMC1/16 471JATP	J24185471		1-	A	C2
R 3039	CHIPRES.	0	1/16W	5%	RMC1/16 000JATP	J24185000		1-	A	E3
R 3040	CHIPRES.	33k	1/16W	5%	RMC1/16 333JATP	J24185333		1-	A	C2
R 3041	CHIPRES.	100	1/16W	5%	RMC1/16 101JATP	J24185101		1-	A	E2
R 3042	CHIPRES.	100	1/16W	5%	RMC1/16 101JATP	J24185101		1-	A	E2
R 3043	CHIPRES.	100	1/16W	5%	RMC1/16 101JATP	J24185101		1-	A	E2
R 3045	CHIPRES.	39k	1/16W	5%	RMC1/16 393JATP	J24185393		1-	A	G2
R 3046	CHIPRES.	3.9k	1/16W	5%	RMC1/16 392JATP	J24185392		1-	A	C2
R 3047	CHIPRES.	100	1/16W	5%	RMC1/16 101JATP	J24185101		1-	A	B2
R 3048	CHIPRES.	470	1/16W	5%	RMC1/16 471JATP	J24185471		1-	A	G2
R 3049	CHIPRES.	47	1/16W	5%	RMC1/16 470JATP	J24185470		1-	A	D2
R 3050	CHIPRES.	100	1/16W	5%	RMC1/16 101JATP	J24185101		1-	A	G2
R 3051	CHIPRES.	0	1/16W	5%	RMC1/16 000JATP	J24185000		1-	A	G2
R 3052	CHIPRES.	100	1/16W	5%	RMC1/16 101JATP	J24185101		1-	A	F2
R 3053	CHIPRES.	1k	1/16W	5%	RMC1/16 102JATP	J24185102		1-	A	F2
R 3054	CHIPRES.	47	1/16W	5%	RMC1/16 470JATP	J24185470		1-	A	F2
R 3055	CHIPRES.	100	1/16W	5%	RMC1/16 101JATP	J24185101		1-	A	D2
R 3056	CHIPRES.	100	1/16W	5%	RMC1/16 101JATP	J24185101		1-	A	D2
R 3057	CHIPRES.	47k	1/16W	5%	RMC1/16 473JATP	J24185473		1-	A	F2
R 3058	CHIPRES.	100	1/16W	5%	RMC1/16 101JATP	J24185101		1-	A	D2
R 3059	CHIPRES.	100	1/16W	5%	RMC1/16 101JATP	J24185101		1-	A	D2
R 3060	CHIPRES.	0	1/16W	5%	RMC1/16 000JATP	J24185000		1-	A	G2
R 3061	CHIPRES.	100	1/16W	5%	RMC1/16 101JATP	J24185101		1-	A	B2
R 3062	CHIPRES.	100	1/16W	5%	RMC1/16 101JATP	J24185101		1-	A	B2
R 3063	CHIPRES.	10	1/16W	5%	RMC1/16 100JATP	J24185100		1-	A	F2
R 3066	CHIPRES.	47	1/16W	5%	RMC1/16 470JATP	J24185470		1-	A	B1
R 3067	CHIPRES.	27	1/16W	5%	RMC1/16 270JATP	J24185270		1-	A	B1
R 3068	CHIPRES.	0	1/16W	5%	RMC1/16 000JATP	J24185000		1-	A	G2
R 3069	CHIPRES.	120	1/16W	5%	RMC1/16 121JATP	J24185121		1-	A	F2
R 3070	CHIPRES.	10	1/16W	5%	RMC1/16 100JATP	J24185100		1-	A	F2
R 3071	CHIPRES.	3.9k	1/16W	5%	RMC1/16 392JATP	J24185392		1-	A	B2
R 3072	CHIPRES.	100	1/16W	5%	RMC1/16 101JATP	J24185101		1-	A	D2
R 3073	CHIPRES.	100	1/16W	5%	RMC1/16 101JATP	J24185101		1-	A	D2
R 3074	CHIPRES.	100	1/16W	5%	RMC1/16 101JATP	J24185101		1-	A	A2
R 3075	CHIPRES.	1k	1/16W	5%	RMC1/16 102JATP	J24185102		1-	A	B1
R 3076	CHIPRES.	1k	1/16W	5%	RMC1/16 102JATP	J24185102		1-	A	B2
R 3077	CHIPRES.	0	1/16W	5%	RMC1/16 000JATP	J24185000		1-	A	B2
R 3078	CHIPRES.	470	1/16W	5%	RMC1/16 471JATP	J24185471		1-	A	D2
R 3079	CHIPRES.	470	1/16W	5%	RMC1/16 471JATP	J24185471		1-	A	D2
R 3080	CHIPRES.	470	1/16W	5%	RMC1/16 471JATP	J24185471		1-	A	A2
R 3081	CHIPRES.	33k	1/16W	5%	RMC1/16 333JATP	J24185333		1-	A	D2
R 3082	CHIPRES.	33k	1/16W	5%	RMC1/16 333JATP	J24185333		1-	A	E2
R 3083	CHIPRES.	33k	1/16W	5%	RMC1/16 333JATP	J24185333		1-	A	A2
R 3084	CHIPRES.	470	1/16W	5%	RMC1/16 471JATP	J24185471		1-	A	F2
R 3085	CHIPRES.	100	1/16W	5%	RMC1/16 101JATP	J24185101		1-	A	B2
R 3086	CHIPRES.	470	1/16W	5%	RMC1/16 471JATP	J24185471		1-	A	B2
R 3087	CHIPRES.	33k	1/16W	5%	RMC1/16 333JATP	J24185333		1-	A	F2

# LOCAL Unit

## Parts List

REF	DESCRIPTION	VALUE	V/W	TOL.	MFR'S DESIG	VXSTD P/N	VERS.	LOT	SIDE	LAY ADR
R 3088	CHIPRES.	33k	1/16W	5%	RMC1/16 333JATP	J24185333		1-	A	B2
R 3089	CHIPRES.	0	1/16W	5%	RMC1/16 000JATP	J24185000		1-	A	F2
R 3091	CHIPRES.	47	1/16W	5%	RMC1/16 470JATP	J24185470		1-	A	F2
R 3092	CHIPRES.	47k	1/16W	5%	RMC1/16 473JATP	J24185473		1-	A	F2
R 3093	CHIPRES.	1k	1/16W	5%	RMC1/16 102JATP	J24185102		1-	A	F1
R 3094	CHIPRES.	47	1/16W	5%	RMC1/16 470JATP	J24185470		1-	A	F2
R 3095	CHIPRES.	100	1/16W	5%	RMC1/16 101JATP	J24185101		1-	A	F1
R 3096	CHIPRES.	470	1/16W	5%	RMC1/16 471JATP	J24185471		1-	A	B3
R 3097	CHIPRES.	100	1/16W	5%	RMC1/16 101JATP	J24185101		1-	A	C2
R 3098	CHIPRES.	47	1/16W	5%	RMC1/16 470JATP	J24185470		1-	A	E1
R 3099	CHIPRES.	1k	1/16W	5%	RMC1/16 102JATP	J24185102		1-	A	E1
R 3100	CHIPRES.	3.9k	1/16W	5%	RMC1/16 392JATP	J24185392		1-	A	E1
R 3101	CHIPRES.	33k	1/16W	5%	RMC1/16 333JATP	J24185333		1-	A	B3
R 3102	CHIPRES.	0	1/16W	5%	RMC1/16 000JATP	J24185000		1-	A	A1
R 3103	CHIPRES.	0	1/16W	5%	RMC1/16 000JATP	J24185000		1-	A	C2
R 3104	CHIPRES.	10k	1/16W	5%	RMC1/16 103JATP	J24185103		1-	A	B1
R 3105	CHIPRES.	4.7k	1/16W	5%	RMC1/16 472JATP	J24185472		1-	A	B1
R 3106	CHIPRES.	100k	1/16W	5%	RMC1/16 104JATP	J24185104		1-	A	A1
R 3107	CHIPRES.	470	1/16W	5%	RMC1/16 471JATP	J24185471		1-	A	B1
R 3108	CHIPRES.	47	1/16W	5%	RMC1/16 470JATP	J24185470		1-	A	E1
R 3109	CHIPRES.	1.5k	1/16W	5%	RMC1/16 152JATP	J24185152		1-	A	A1
R 3110	CHIPRES.	33k	1/16W	5%	RMC1/16 333JATP	J24185333		1-	A	C2
R 3111	CHIPRES.	100k	1/16W	5%	RMC1/16 104JATP	J24185104		1-	A	D1
R 3112	CHIPRES.	1k	1/16W	5%	RMC1/16 102JATP	J24185102		1-	A	A1
R 3113	CHIPRES.	100	1/16W	5%	RMC1/16 101JATP	J24185101		1-	A	B1
R 3114	CHIPRES.	470	1/16W	5%	RMC1/16 471JATP	J24185471		1-	A	C2
R 3115	CHIPRES.	2.2k	1/16W	5%	RMC1/16 222JATP	J24185222		1-	A	C1
R 3116	CHIPRES.	100	1/16W	5%	RMC1/16 101JATP	J24185101		1-	A	A1
R 3117	CHIPRES.	330	1/16W	5%	RMC1/16 331JATP	J24185331		1-	A	C2
R 3118	CHIPRES.	1k	1/16W	5%	RMC1/16 102JATP	J24185102		1-	A	D1
R 3119	CHIPRES.	100	1/16W	5%	RMC1/16 101JATP	J24185101		1-	A	B2
R 3120	CHIPRES.	47	1/16W	5%	RMC1/16 470JATP	J24185470		1-	A	C2
R 3121	CHIPRES.	100	1/16W	5%	RMC1/16 101JATP	J24185101		1-	A	C1
R 3122	CHIPRES.	1k	1/16W	5%	RMC1/16 102JATP	J24185102		1	A	E2
R 3122	CHIPRES.	10k	1/16W	5%	RMC1/16 103JATP	J24185103		2-	A	E2
R 3123	CHIPRES.	4.7	1/16W	5%	RMC1/16 4R7JATP	J24185479		1-	A	F1
R 3124	CHIPRES.	150	1/16W	5%	RMC1/16 151JATP	J24185151		1-	A	B3
R 3126	CHIPRES.	100k	1/16W	5%	RMC1/16 104JATP	J24185104		1-	A	B1
R 3127	CHIPRES.	1k	1/16W	5%	RMC1/16 102JATP	J24185102		1-	A	B3
R 3128	CHIPRES.	10k	1/16W	5%	RMC1/16 103JATP	J24185103		1-	A	E2
R 3129	CHIPRES.	2.7k	1/16W	5%	RMC1/16 272JATP	J24185272		1-	A	B3
R 3130	CHIPRES.	10k	1/16W	5%	RMC1/16 103JATP	J24185103		1-	A	E2
R 3131	CHIPRES.	2.2k	1/16W	5%	RMC1/16 222JATP	J24185222		1-	A	B1
R 3132	CHIPRES.	10k	1/16W	5%	RMC1/16 103JATP	J24185103		1-	A	E2
R 3133	CHIPRES.	6.8k	1/16W	5%	RMC1/16 682JATP	J24185682		1-	A	E2
R 3134	CHIPRES.	6.8k	1/16W	5%	RMC1/16 682JATP	J24185682		1-	A	E2
R 3135	CHIPRES.	6.8k	1/16W	5%	RMC1/16 682JATP	J24185682		1-	A	E2
R 3136	CHIPRES.	1k	1/16W	5%	RMC1/16 102JATP	J24185102		1-	A	B1
R 3137	CHIPRES.	100	1/16W	5%	RMC1/16 101JATP	J24185101		1-	A	B2
R 3138	CHIPRES.	100	1/16W	5%	RMC1/16 101JATP	J24185101		1-	A	B1
R 3139	CHIPRES.	470	1/16W	5%	RMC1/16 471JATP	J24185471		1-	A	B3
R 3140	CHIPRES.	47	1/16W	5%	RMC1/16 470JATP	J24185470		1-	A	F2
R 3141	CHIPRES.	0	1/16W	5%	RMC1/16 000JATP	J24185000		1-	A	C3
R 3142	CHIPRES.	2.2k	1/16W	5%	RMC1/16 222JATP	J24185222		1-	A	B2
R 3143	CHIPRES.	47k	1/16W	5%	RMC1/16 473JATP	J24185473		1-	A	F2
R 3144	CHIPRES.	0	1/16W	5%	RMC1/16 000JATP	J24185000		1-	A	A1
R 3145	CHIPRES.	100k	1/16W	5%	RMC1/16 104JATP	J24185104		1-	A	B2
R 3146	CHIPRES.	100	1/16W	5%	RMC1/16 101JATP	J24185101		1-	A	F1
R 3147	CHIPRES.	1k	1/16W	5%	RMC1/16 102JATP	J24185102		1-	A	F2
R 3148	CHIPRES.	47	1/16W	5%	RMC1/16 470JATP	J24185470		1-	A	F2
R 3149	CHIPRES.	18k	1/16W	5%	RMC1/16 183JATP	J24185183		1-	A	C3
R 3150	CHIPRES.	100k	1/16W	5%	RMC1/16 104JATP	J24185104		1-	A	D1
R 3151	CHIPRES.	10k	1/16W	5%	RMC1/16 103JATP	J24185103		1-	A	B1
R 3152	CHIPRES.	4.7k	1/16W	5%	RMC1/16 472JATP	J24185472		1-	A	B1
R 3153	CHIPRES.	100k	1/16W	5%	RMC1/16 104JATP	J24185104		1-	A	A1
R 3154	CHIPRES.	47	1/16W	5%	RMC1/16 470JATP	J24185470		1-	A	H2
R 3155	CHIPRES.	220	1/16W	5%	RMC1/16 221JATP	J24185221		1-	A	C3
R 3156	CHIPRES.	2.2k	1/16W	5%	RMC1/16 222JATP	J24185222		1-	A	D1
R 3157	CHIPRES.	10k	1/16W	5%	RMC1/16 103JATP	J24185103		1-	A	A3
R 3158	CHIPRES.	10k	1/16W	5%	RMC1/16 103JATP	J24185103		1-	A	B3
R 3159	CHIPRES.	1k	1/16W	5%	RMC1/16 102JATP	J24185102		1-	A	A2
R 3160	CHIPRES.	470	1/16W	5%	RMC1/16 471JATP	J24185471		1-	A	C1
R 3161	CHIPRES.	1k	1/16W	5%	RMC1/16 102JATP	J24185102		1-	A	G2

# LOCAL Unit

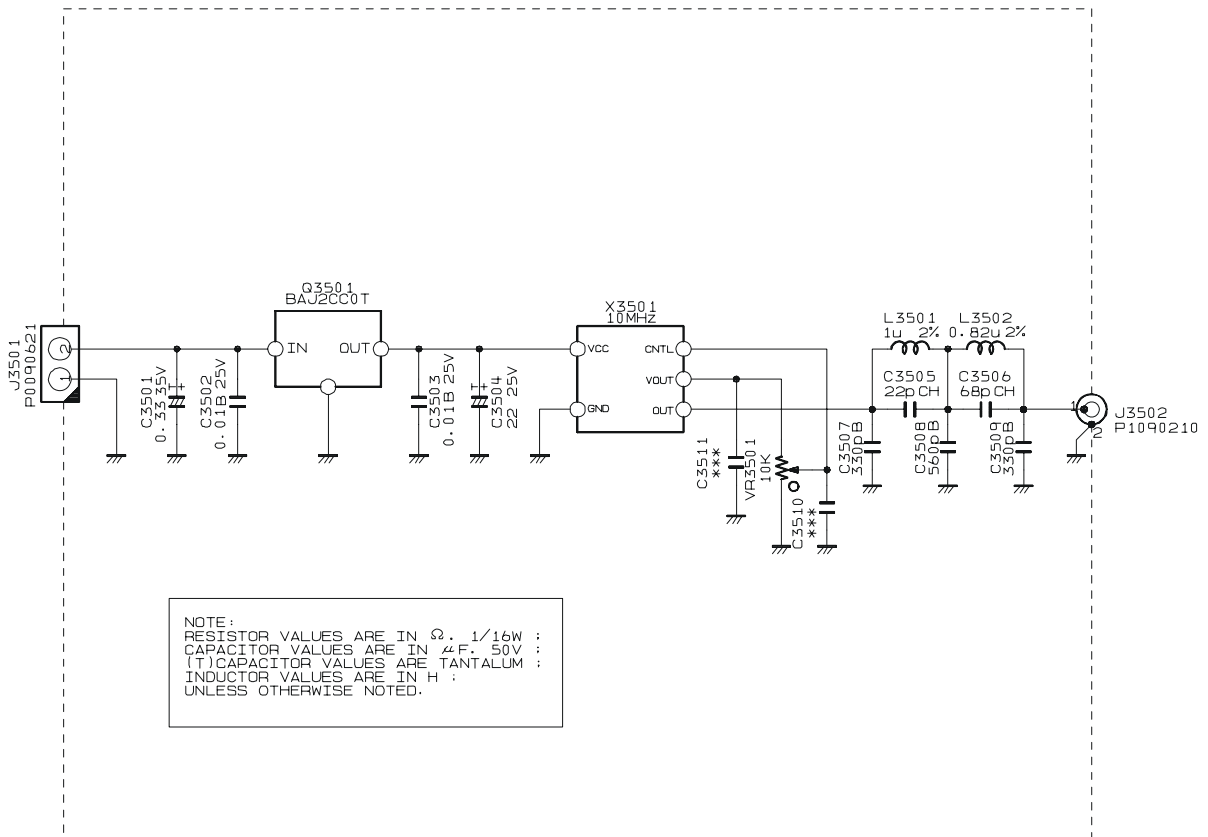
## Parts List

REF	DESCRIPTION	VALUE	V/W	TOL.	MFR'S DESIG	VXSTD P/N	VERS.	LOT	SIDE	LAY ADR
R 3162	CHIPRES.	3.9k	1/16W	5%	RMC1/16 392JATP	J24185392		1-	A	G2
R 3163	CHIPRES.	1.5k	1/16W	5%	RMC1/16 152JATP	J24185152		1-	A	A1
R 3164	CHIPRES.	180	1/16W	5%	RMC1/16 181JATP	J24185181		1-	A	C3
R 3165	CHIPRES.	1k	1/16W	5%	RMC1/16 102JATP	J24185102		1-	A	D1
R 3166	CHIPRES.	1k	1/16W	5%	RMC1/16 102JATP	J24185102		1-	A	A1
R 3167	CHIPRES.	47	1/16W	5%	RMC1/16 470JATP	J24185470		1-	A	C3
R 3168	CHIPRES.	100	1/16W	5%	RMC1/16 101JATP	J24185101		1-	A	D1
R 3169	CHIPRES.	100	1/16W	5%	RMC1/16 101JATP	J24185101		1-	A	B1
R 3170	CHIPRES.	100	1/16W	5%	RMC1/16 101JATP	J24185101		1-	A	A1
R 3171	CHIPRES.	1k	1/16W	5%	RMC1/16 102JATP	J24185102		1-	A	A2
R 3172	CHIPRES.	1k	1/16W	5%	RMC1/16 102JATP	J24185102		1-	A	A3
R 3173	CHIPRES.	47	1/16W	5%	RMC1/16 470JATP	J24185470		1-	A	G2
R 3174	CHIPRES.	100k	1/16W	5%	RMC1/16 104JATP	J24185104		1-	A	C1
R 3175	CHIPRES.	1k	1/16W	5%	RMC1/16 102JATP	J24185102		1	A	G1
R 3175	CHIPRES.	10k	1/16W	5%	RMC1/16 103JATP	J24185103		2-	A	G1
R 3176	CHIPRES.	4.7	1/16W	5%	RMC1/16 4R7JATP	J24185479		1-	A	G2
R 3177	CHIPRES.	2.2k	1/16W	5%	RMC1/16 222JATP	J24185222		1-	A	C1
R 3178	CHIPRES.	1k	1/16W	5%	RMC1/16 102JATP	J24185102		1-	A	C1
R 3179	CHIPRES.	100	1/16W	5%	RMC1/16 101JATP	J24185101		1-	A	C1
R 3181	CHIPRES.	10k	1/16W	5%	RMC1/16 103JATP	J24185103		1-	A	G1
R 3182	CHIPRES.	10k	1/16W	5%	RMC1/16 103JATP	J24185103		1-	A	G1
R 3183	CHIPRES.	10k	1/16W	5%	RMC1/16 103JATP	J24185103		1-	A	G1
R 3184	CHIPRES.	6.8k	1/16W	5%	RMC1/16 682JATP	J24185682		1-	A	G1
R 3185	CHIPRES.	6.8k	1/16W	5%	RMC1/16 682JATP	J24185682		1-	A	G1
R 3186	CHIPRES.	6.8k	1/16W	5%	RMC1/16 682JATP	J24185682		1-	A	G1
R 3187	CHIPRES.	0	1/16W	5%	RMC1/16 000JATP	J24185000		1-	A	D3
R 3188	CHIPRES.	15	1/16W	5%	RMC1/16 150JATP	J24185150		1-	A	D1
R 3189	CHIPRES.	15	1/16W	5%	RMC1/16 150JATP	J24185150		1-	A	D3
R 3190	CHIPRES.	15	1/16W	5%	RMC1/16 150JATP	J24185150		1-	A	D3
R 3191	CHIPRES.	15	1/16W	5%	RMC1/16 150JATP	J24185150		1	A	E1
R 3191	CHIPRES.	15	1/16W	5%	RMC1/16 150JATP	J24185150		2-	A	E1
R 3192	CHIPRES.	15	1/16W	5%	RMC1/16 150JATP	J24185150		1-	A	D1
R 3197	CHIPRES.	0	1/16W	5%	RMC1/16 000JATP	J24185000		1-	A	D3
R 3198	CHIPRES.	0	1/16W	5%	RMC1/16 000JATP	J24185000		1-	A	D3
R 3199	CHIPRES.	0	1/16W	5%	RMC1/16 000JATP	J24185000		1-	A	E1
R 3200	CHIPRES.	0	1/16W	5%	RMC1/16 000JATP	J24185000		1-	A	D1
R 3205	CHIPRES.	100	1/16W	5%	RMC1/16 101JATP	J24185101		1-	A	H2
R 3206	CHIPRES.	10k	1/16W	5%	RMC1/16 103JATP	J24185103		1-	A	E2
R 3207	CHIPRES.	0	1/16W	5%	RMC1/16 000JATP	J24185000		2-	A	D1
R 3208	CHIPRES.	0	1/16W	5%	RMC1/16 000JATP	J24185000		2-	A	D1
R 3209	CHIPRES.	47	1/16W	5%	RMC1/16 470JATP	J24185470		1-	A	E1
R 3210	CHIPRES.	47	1/16W	5%	RMC1/16 470JATP	J24185470		1-	A	E1
R 3211	CHIPRES.	47	1/16W	5%	RMC1/16 470JATP	J24185470		1-	A	G2
R 3212	CHIPRES.	47	1/16W	5%	RMC1/16 470JATP	J24185470		1-	A	G2
R 3213	CHIPRES.	100	1/16W	5%	RMC1/16 101JATP	J24185101		1-	A	A2
R 3214	CHIPRES.	68	1/16W	5%	RMC1/16 680JATP	J24185680		1-	A	A2
R 3215	CHIPRES.	100	1/16W	5%	RMC1/16 101JATP	J24185101		1-	A	A2
R 3216	CHIPRES.	270	1/16W	5%	RMC1/16 271JATP	J24185271		1-	A	F1
R 3217	CHIPRES.	18	1/16W	5%	RMC1/16 180JATP	J24185180		1-	A	F1
R 3218	CHIPRES.	270	1/16W	5%	RMC1/16 271JATP	J24185271		1-	A	F1
R 3219	CHIPRES.	270	1/16W	5%	RMC1/16 271JATP	J24185271		1-	A	D3
R 3220	CHIPRES.	18	1/16W	5%	RMC1/16 180JATP	J24185180		1-	A	D3
R 3221	CHIPRES.	270	1/16W	5%	RMC1/16 271JATP	J24185271		1-	A	D3
R 3222	CHIPRES.	150	1/16W	5%	RMC1/16 151JATP	J24185151		1-	A	C1
R 3223	CHIPRES.	39	1/16W	5%	RMC1/16 390JATP	J24185390		1	A	D1
R 3223	CHIPRES.	39	1/16W	5%	RMC1/16 390JATP	J24185390		2-	A	D1
R 3224	CHIPRES.	150	1/16W	5%	RMC1/16 151JATP	J24185151		1-	A	C1
R 3225	CHIPRES.	0	1/16W	5%	RMC1/16 000JATP	J24185000		4-	A	E2
R 3226	CHIPRES.	0	1/16W	5%	RMC1/16 000JATP	J24185000		4-	A	G1
R 3227	CHIPRES.	0	1/16W	5%	RMC1/16 000JATP	J24185000		4-	A	E2
R 3228	CHIPRES.	0	1/16W	5%	RMC1/16 000JATP	J24185000		4-	A	G1
R 3231	CHIPRES.	10k	1/16W	5%	RMC1/16 103JATP	J24185103		4-	A	G1
R 3232	CHIPRES.	10k	1/16W	5%	RMC1/16 103JATP	J24185103		4-	A	E2
T 3001	COIL 05RF				R12-S972B	L0022495		1-	A	A1
T 3002	COIL 05RF				R12-S972B	L0022495		1-	A	C1
T 3003	COIL 05RF				R12-S972B	L0022495		1-	A	B1
T 3004	BALUN TRANSFOMERS				040812478	L0190268		1-	A	E1
T 3005	BALUN TRANSFOMERS				#458DB-1616=P3	L0190246		1-	A	F1
T 3006	COIL 05RF				74.62M 010812302	L0022781		1-	A	B2
T 3007	COIL 05RF				74.62M 010812302	L0022781		1-	A	B1
T 3008	COIL 05RF				74.62M 010812302	L0022781		1-	A	B2
T 3009	COIL 05RF				74.62M 010812302	L0022781		1-	A	B1
T 3010	BALUN TRANSFOMERS				040812478	L0190268		1-	A	G2

# LOCAL Unit

## Parts List

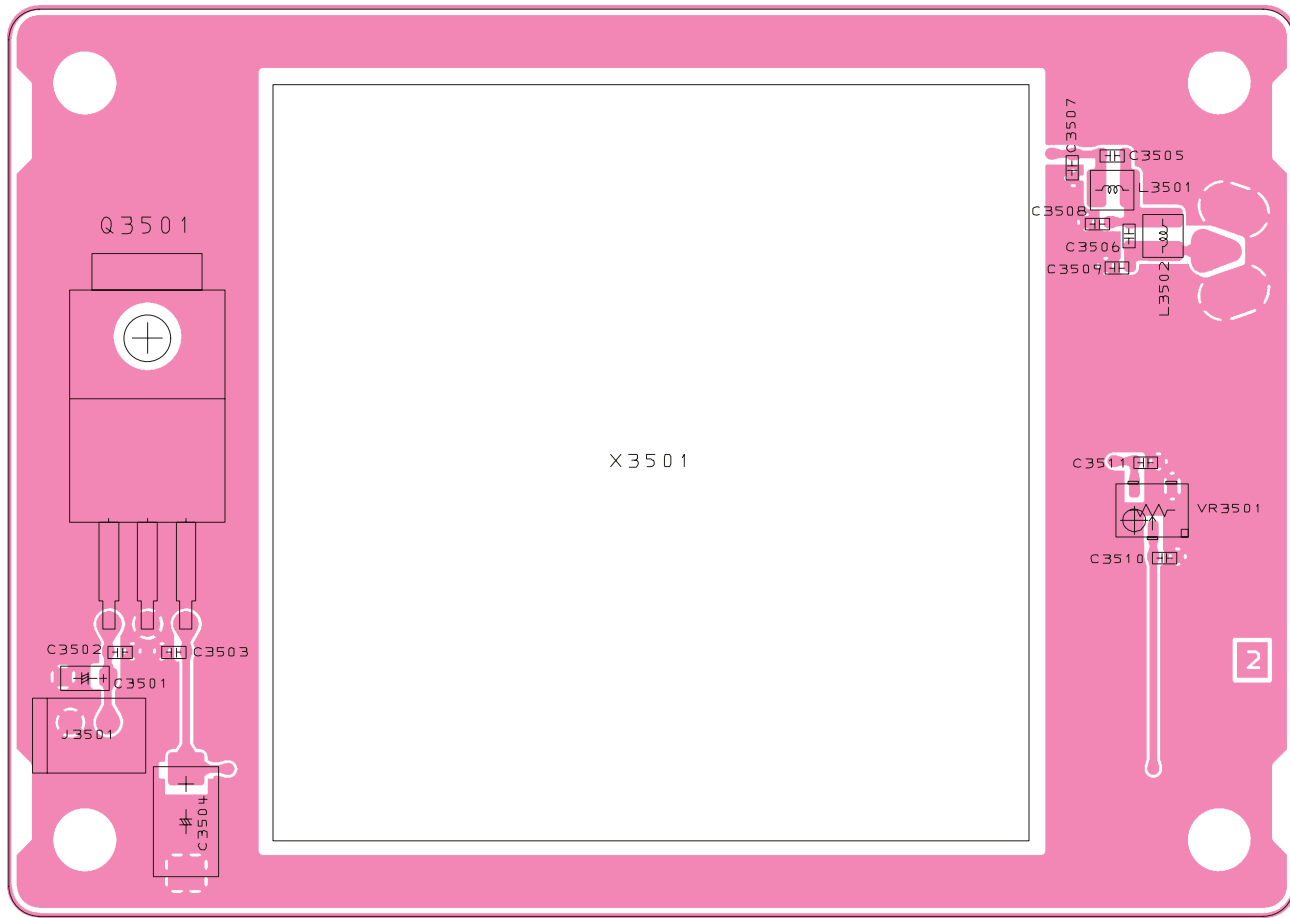
REF	DESCRIPTION	VALUE	V/W	TOL.	MFR'S DESIG	VXSTD P/N	VERS.	LOT	SIDE	LAY ADR
T 3011	COIL 05RF				74.62M 010812302	L0022781		1-	A	C1
T 3012	BALUN TRANSFOMERS				#458DB-1616=P3	L0190246		1-	A	F2
T 3013	COIL 05RF				74.62M 010812302	L0022781		1-	A	C1
T 3014	COIL 10WIDE				9-1 2001F	L0021605		1-	A	G3
T 3014	COIL 10WIDE				2001F FR9.5X5.0X5.0	L0023034		30-	A	G3
T 3015	COIL 10WIDE				3A 9X5X5	L0021959		1-	A	H2
TC3001	TRIMMERCAP.	10pF			ECR-JA010A11X	K91000227		1-	A	G3
	SHIELD CASE					RA0659500		1-		
	SHIELD CASE					RA0679800		1-		



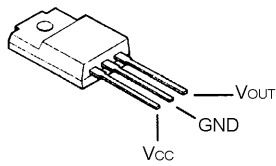
NOTE:  
 RESISTOR VALUES ARE IN  $\Omega$ . 1/16W :  
 CAPACITOR VALUES ARE IN  $\mu$ F. 50V :  
 (T)CAPACITOR VALUES ARE TANTALUM :  
 INDUCTOR VALUES ARE IN H :  
 UNLESS OTHERWISE NOTED.

# REF Unit

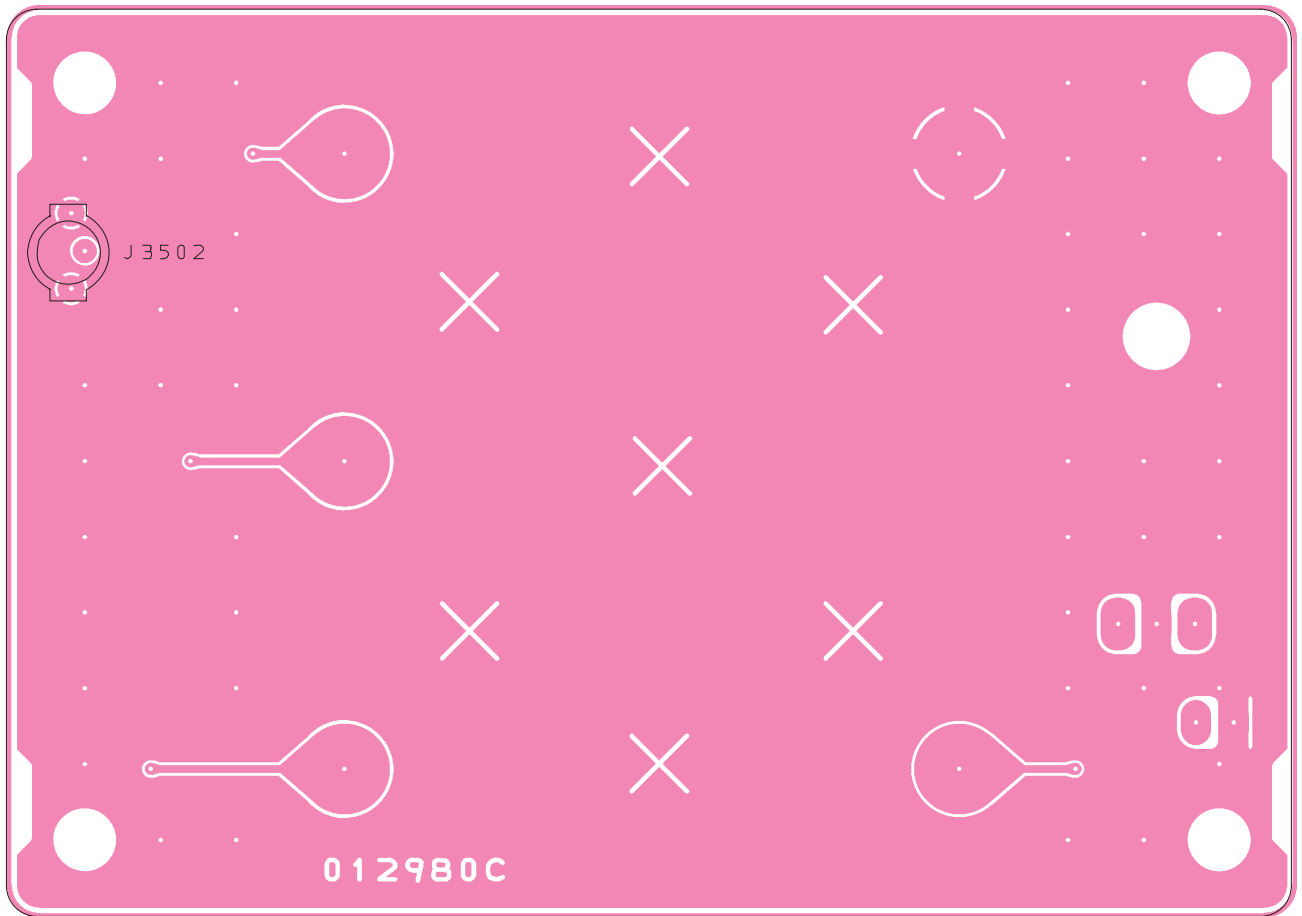
## Parts Layout (Lot. 1~29)



Side A



BAJ2CC0T  
(Q3501)

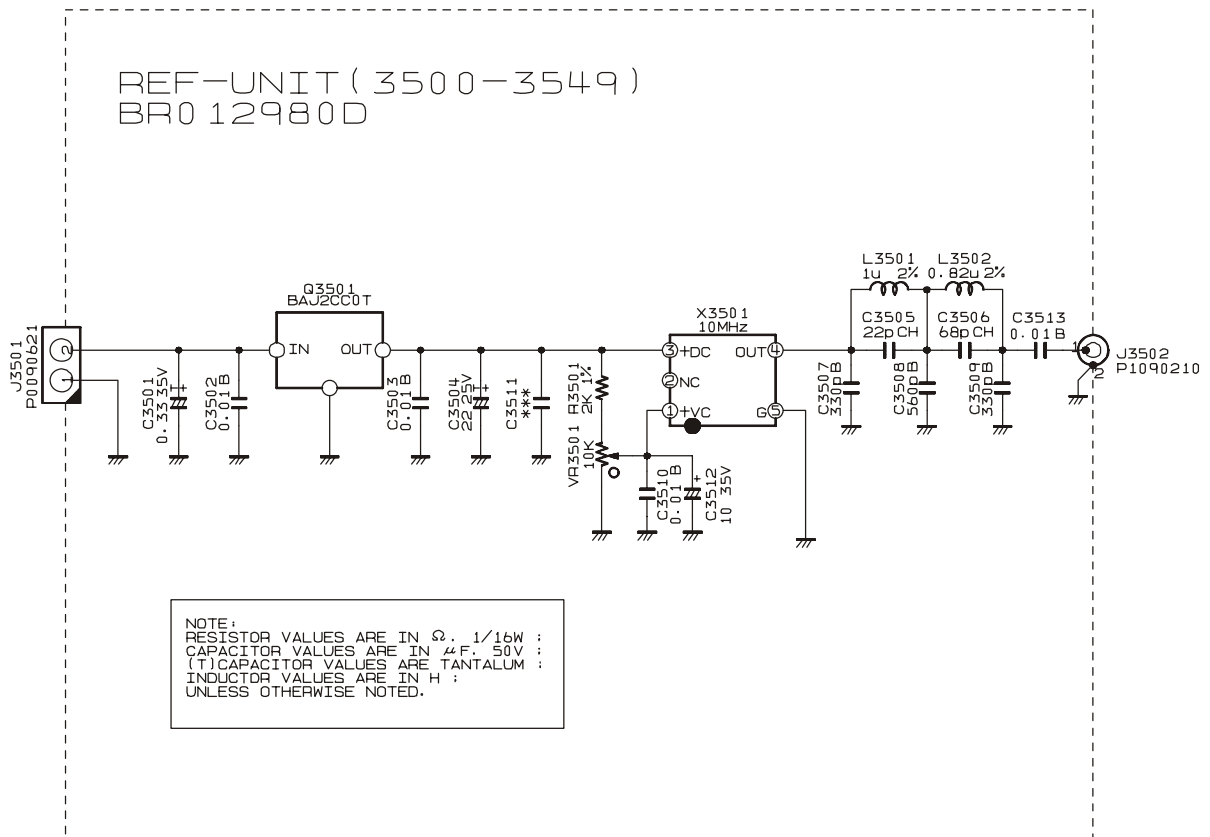


Side B



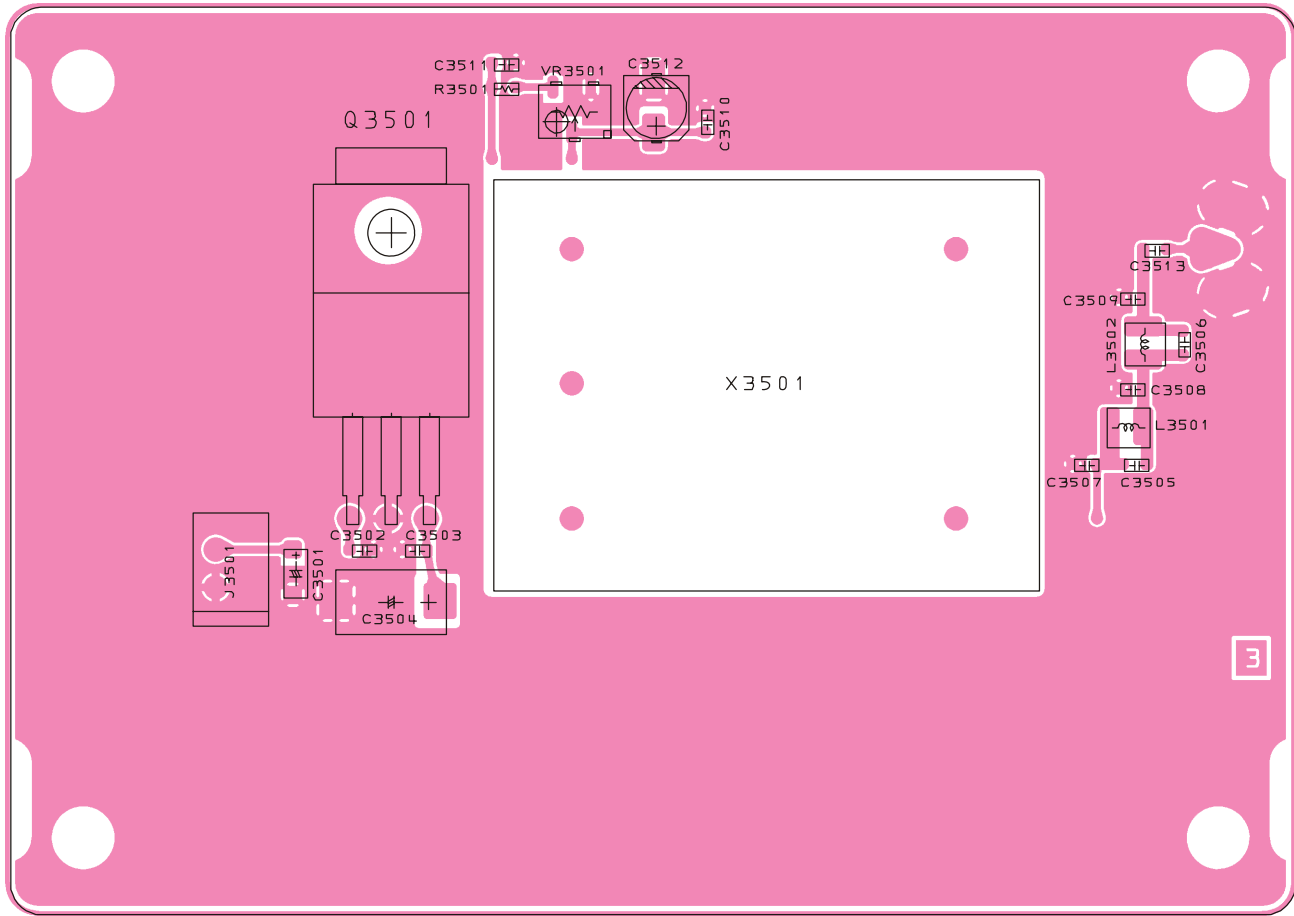
*REF Unit*

*Note*

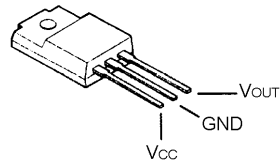


# REF Unit

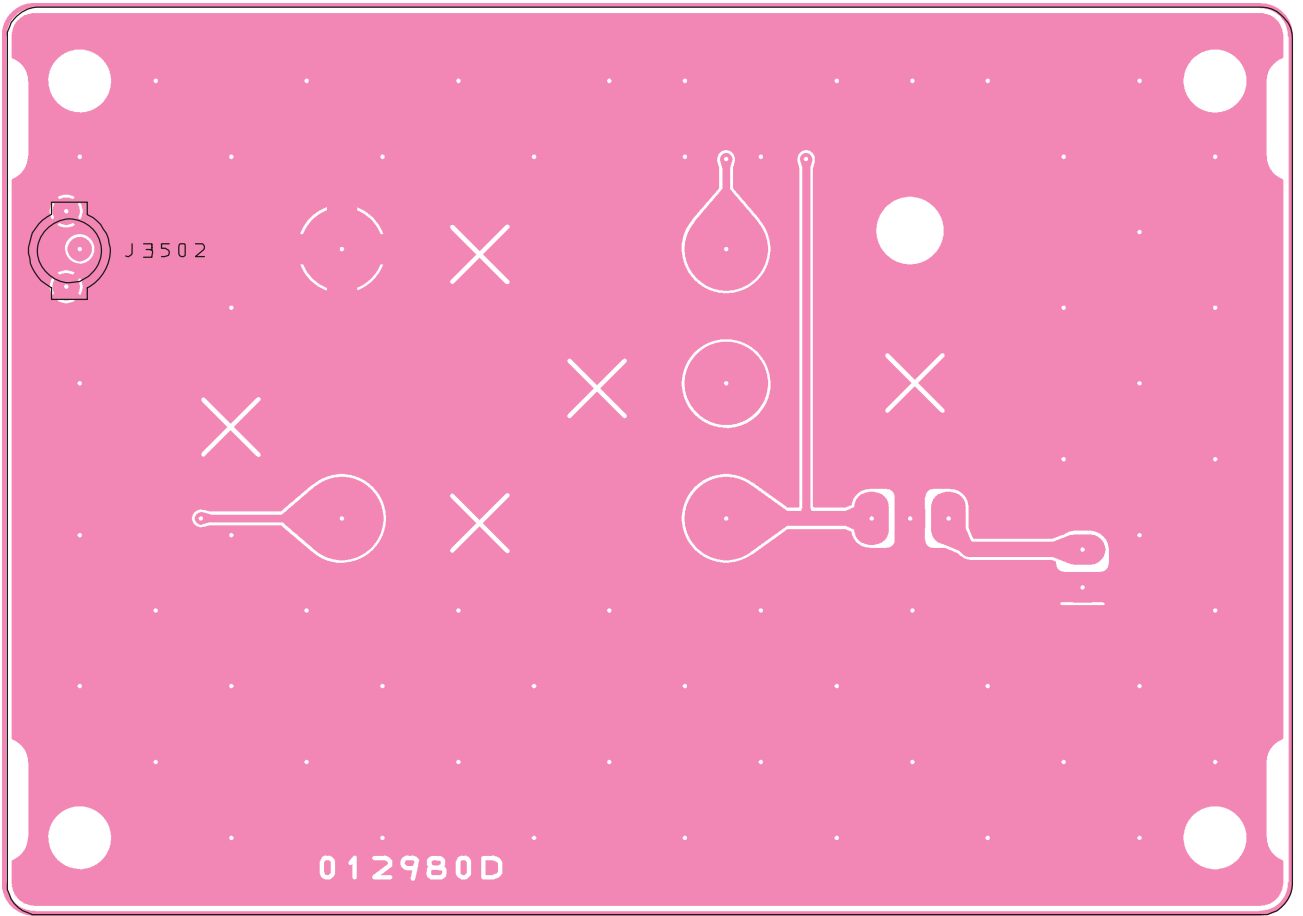
## Parts Layout (Lot. 30~)



Side A



BAJ2CC0T  
(Q3501)



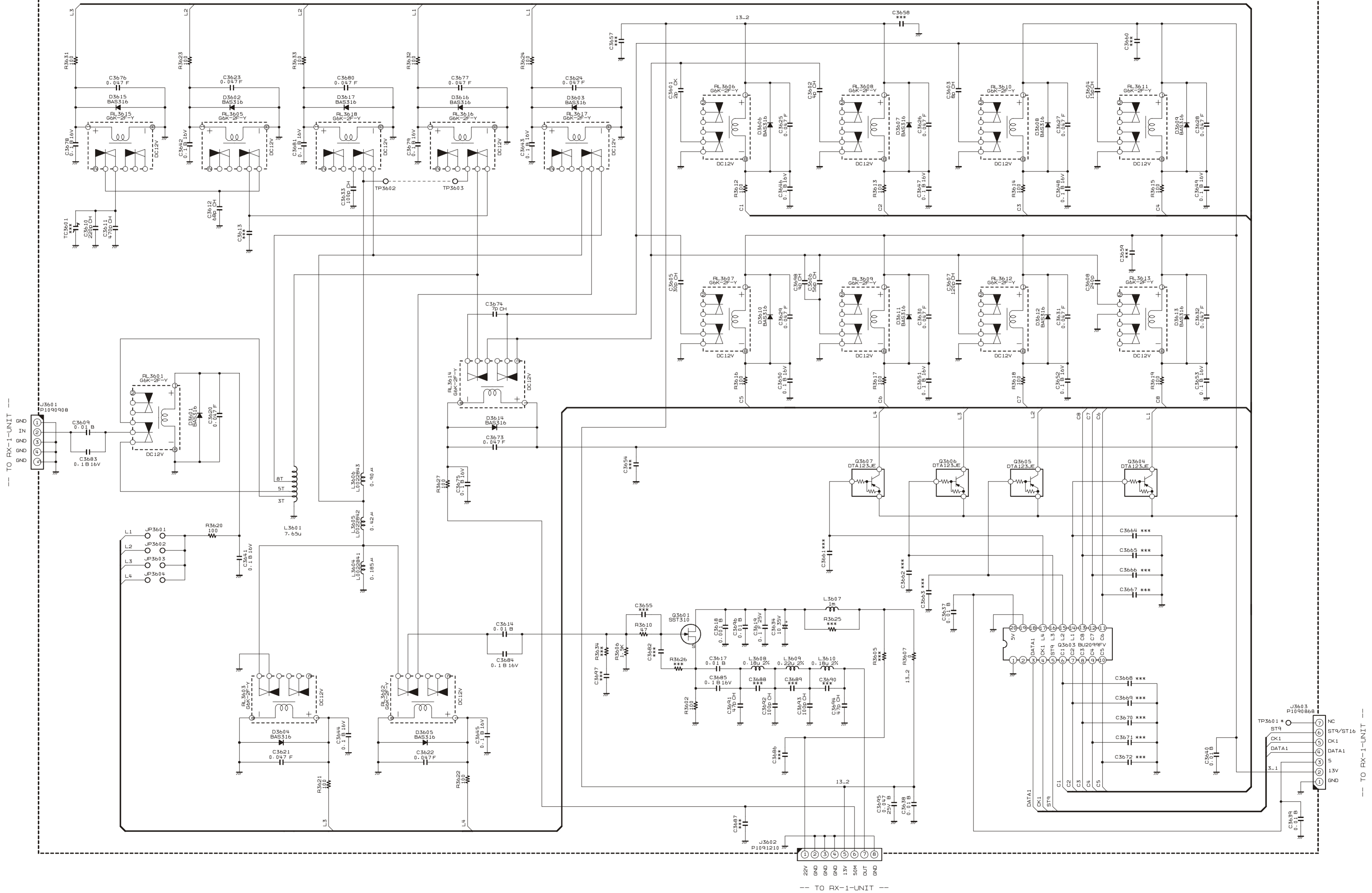
Side B

# REF Unit

## Parts List

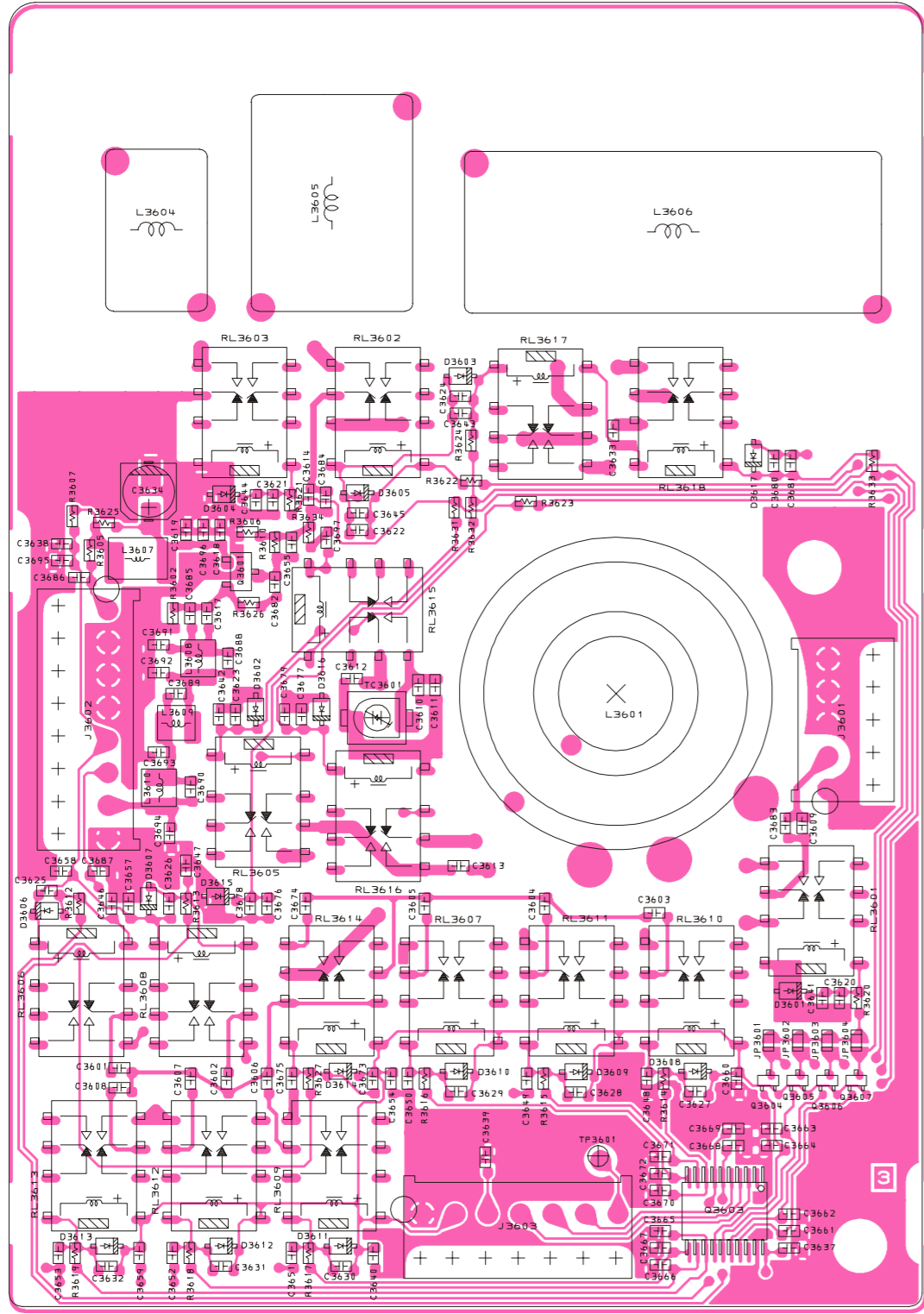
REF	DESCRIPTION	VALUE	V/W	TOL.	MFR'S DESIG	VXSTD P/N	VERS.	LOT	SIDE	LAY ADR
	PCB with Components Printed Circuit Board					CB3075001 FR012980C FR012980D		1- 30-		
C 3501	CHIP TA.CAP.	0.33uF	35V		TEESVA1V334M8R	K78160028		1-		
C 3502	CHIP CAP.	0.01uF	25V	B	GRM39B103M25PT	K22144802		1-		
C 3502	CHIP CAP.	0.01uF	50V	B	GRM188B11H103KA01D	K22174823		27-		
C 3503	CHIP CAP.	0.01uF	25V	B	GRM39B103M25PT	K22144802		1-		
C 3503	CHIP CAP.	0.01uF	50V	B	GRM188B11H103KA01D	K22174823		27-		
C 3504	CHIP TA.CAP.	22uF	25V		TEMSVD1E226M12R	K78140022		1-		
C 3504	CHIP TA.CAP.	22uF	25V		TEMSVD1E226M12R	K78140022		30-		
C 3505	CHIP CAP.	22pF	50V	CH	GRM1882C1H220JA01D	K22174219		1-		
C 3506	CHIP CAP.	68pF	50V	CH	GRM1882C1H680JA01D	K22174231		1-		
C 3507	CHIP CAP.	330pF	50V	B	GRM188B11H331KD01D	K22174803		1-		
C 3508	CHIP CAP.	560pF	50V	B	GRM188B11H561KA01D	K22174806		1-		
C 3509	CHIP CAP.	330pF	50V	B	GRM188B11H331KD01D	K22174803		1-		
C 3510	CHIP CAP.	0.01uF	50V	B	GRM188B11H103KA01D	K22174823		30-		
C 3512	AL.ELECTRO.CAP.	10uF	35V		EEE1VA100WR	K48160006		30-		
C 3513	CHIP CAP.	0.01uF	50V	B	GRM188B11H103KA01D	K22174823		30-		
J 3501	CONNECTOR				SC25-02WS	P0090621		1-		
J 3502	CONNECTOR				TMP-J01X-V6	P1090210		1-		
L 3501	CHIP COIL	1uH		2%	C2520C-1R0G	L1691309		1-		
L 3502	CHIP COIL	0.82uH		2%	C2520C-R82G	L1691307		1-		
Q 3501	IC				BAJ2CC0T	G1094173		1-		
R 3501	CHIPRES.	2k	1/16W	1%	RMC1/16 202FTP	J24183202		30-		
VR3501	POT.	10k			PVG5A103A01R00	J51832103		1-		
X 3501	OCXO	10MHz			BALGGW 10MHz	H9500870		1-		
X 3501	OCVCXO	10MHz			185H	H9501200		30-		

VRF-1-UNIT BR009860D (3600-3799)

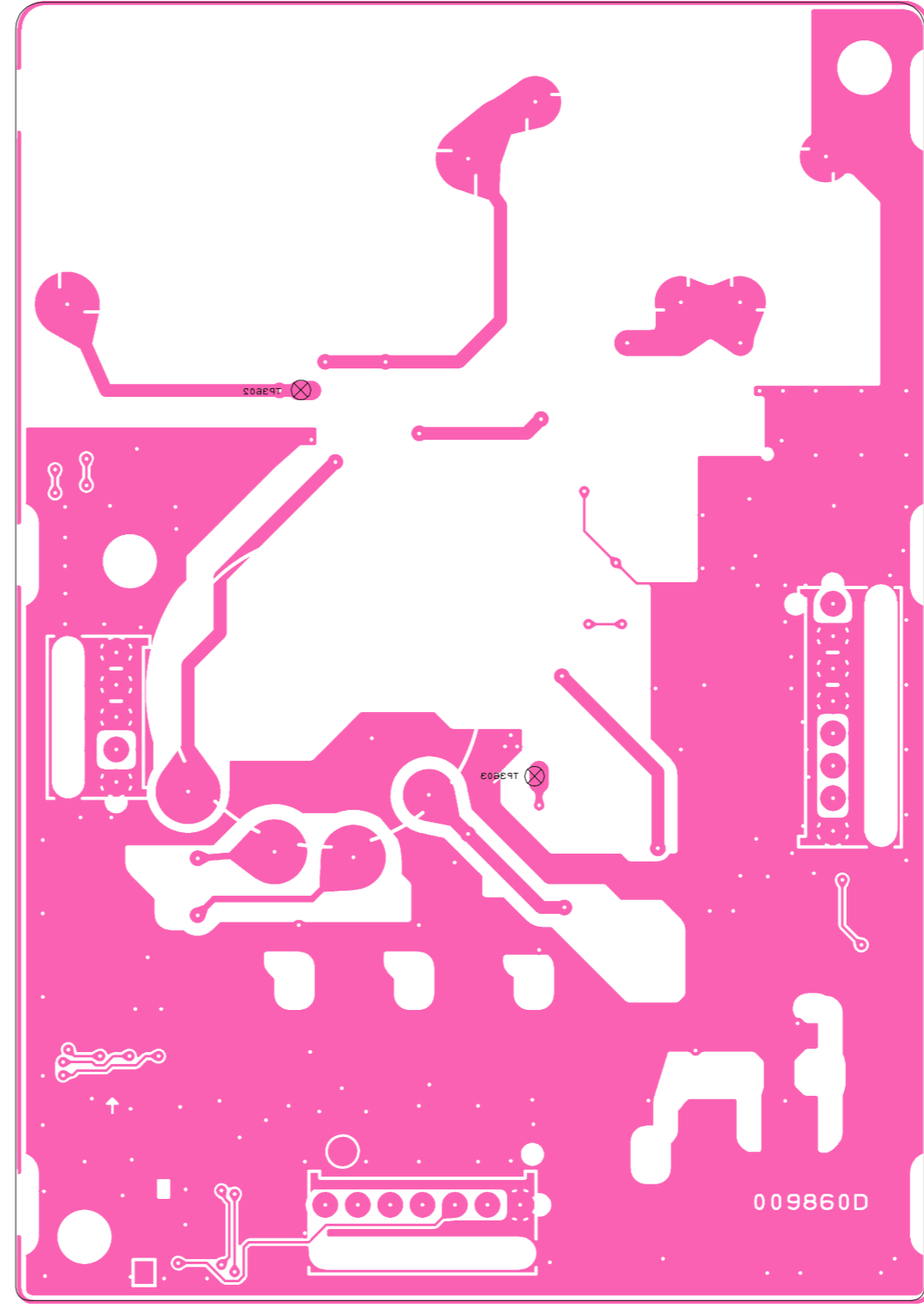


# VRF-1 Unit

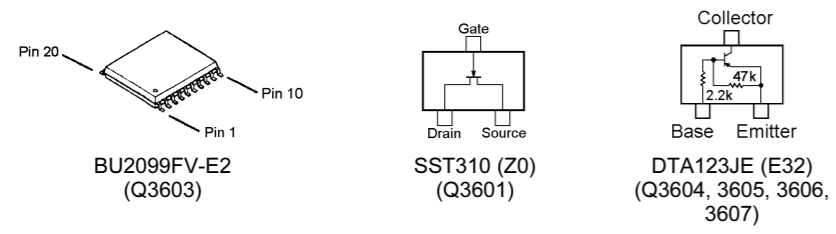
## Parts Layout



Side A



Side B







# VRF-1 Unit

## Parts List

REF	DESCRIPTION	VALUE	V/W	TOL.	MFR'S DESIG	VXSTD P/N	VERS.	LOT	SIDE	LAY ADR
C 3678	CHIP CAP.	0.1uF	16V	B	GRM188B11C104KA01D	K22124805		1-		
C 3679	CHIP CAP.	0.1uF	16V	B	GRM188B11C104KA01D	K22124805		1-		
C 3680	CHIP CAP.	0.047uF	25V	F	GRM39F473Z25PT	K22145002		1-		
C 3680	CHIP CAP.	0.047uF	50V	F	GRM188F11H473ZA01D	K22175001		27-		
C 3681	CHIP CAP.	0.1uF	16V	B	GRM188B11C104KA01D	K22124805		1-		
C 3683	CHIP CAP.	0.1uF	16V	B	GRM188B11C104KA01D	K22124805		1-		
C 3684	CHIP CAP.	0.1uF	16V	B	GRM188B11C104KA01D	K22124805		1-		
C 3685	CHIP CAP.	0.1uF	16V	B	GRM188B11C104KA01D	K22124805		1-		
C 3691	CHIP CAP.	47pF	50V	CH	GRM1882C1H470JA01D	K22174227		1-		
C 3692	CHIP CAP.	100pF	50V	CH	GRM1882C1H101JA01D	K22174235		1-		
C 3693	CHIP CAP.	100pF	50V	CH	GRM1882C1H101JA01D	K22174235		1-		
C 3694	CHIP CAP.	47pF	50V	CH	GRM1882C1H470JA01D	K22174227		1-		
C 3695	CHIP CAP.	0.047uF	16V	B	GRM39B473K16PT	K22124804		1-		
C 3695	CHIP CAP.	0.047uF	25V	B	GRM188B11E473KA01D	K22144811		27-		
C 3696	CHIP CAP.	0.01uF	50V	B	GRM188B11H103KA01D	K22174823		1-		
C 3698	CHIP CAP.	4pF	50V	CH	GRM1882C1H4R0CZ01D	K22174205		1-		
C 3699	CHIP CAP.	20pF	50V	CH	GRM1882C1H200JZ01D	K22174218		1		
D 3601	DIODE				BAS316	G2070716		1-		
D 3602	DIODE				BAS316	G2070716		1-		
D 3603	DIODE				BAS316	G2070716		1-		
D 3604	DIODE				BAS316	G2070716		1-		
D 3605	DIODE				BAS316	G2070716		1-		
D 3606	DIODE				BAS316	G2070716		1-		
D 3607	DIODE				BAS316	G2070716		1-		
D 3608	DIODE				BAS316	G2070716		1-		
D 3609	DIODE				BAS316	G2070716		1-		
D 3610	DIODE				BAS316	G2070716		1-		
D 3611	DIODE				BAS316	G2070716		1-		
D 3612	DIODE				BAS316	G2070716		1-		
D 3613	DIODE				BAS316	G2070716		1-		
D 3614	DIODE				BAS316	G2070716		1-		
D 3615	DIODE				BAS316	G2070716		1-		
D 3616	DIODE				BAS316	G2070716		1-		
D 3617	DIODE				BAS316	G2070716		1-		
J 3601	CONNECTOR				IMSA-9133S-05D	P1090908		1-		
J 3602	CONNECTOR				IMSA-9133S-08D	P1091210		1-		
J 3603	CONNECTOR				IMSA-9133S-07D	P1090868		1-		
JP3600	WIRE ASSY				GRN 40 2/2	T50504000		1-		
L 3601	TOROIDAL COIL	7.65uH			7.65U T80-2	L0022848A		1-		
L 3604	COIL A1				3.5T10.0D1.2PEW R	L0022841		1-		
L 3605	COIL A1				7.5T10.0D1.2PEW R	L0022842		1-		
L 3606	COIL A1				14.5T10.0D1.2PEW R	L0022843		1-		
L 3607	CHIPCOIL	1mH			LQH43MN102K03L	L1690108		1-		
L 3608	CHIPCOIL	0.18uH		2%	C2520C-R18G	L1691297		1-		
L 3609	CHIPCOIL	0.22uH		2%	C2520C-R22G	L1691298		1-		
L 3610	CHIPCOIL	0.18uH		2%	C2520C-R18G	L1691297		1-		
Q 3601	FET				SST310-T1	G4070009		1-		
Q 3603	IC				BU2099FV-E2	G1093243		1-		
Q 3604	TRANSISTOR				DTA123JE TL	G3070331		1-		
Q 3605	TRANSISTOR				DTA123JE TL	G3070331		1-		
Q 3606	TRANSISTOR				DTA123JE TL	G3070331		1-		
Q 3607	TRANSISTOR				DTA123JE TL	G3070331		1-		
R 3602	CHIPRES.	100	1/16W	5%	RMC1/16 101JATP	J24185101		1-		
R 3606	CHIPRES.	1.5k	1/16W	5%	RMC1/16 152JATP	J24185152		1-		
R 3607	CHIPRES.	0	1/16W	5%	RMC1/16 000JATP	J24185000		1-		
R 3610	CHIPRES.	0	1/16W	5%	RMC1/16 000JATP	J24185000		1		
R 3610	CHIPRES.	47	1/16W	5%	RMC1/16 470JATP	J24185470		2-		
R 3612	CHIPRES.	100	1/16W	5%	RMC1/16 101JATP	J24185101		1-		
R 3613	CHIPRES.	100	1/16W	5%	RMC1/16 101JATP	J24185101		1-		
R 3614	CHIPRES.	100	1/16W	5%	RMC1/16 101JATP	J24185101		1-		
R 3615	CHIPRES.	100	1/16W	5%	RMC1/16 101JATP	J24185101		1-		
R 3616	CHIPRES.	100	1/16W	5%	RMC1/16 101JATP	J24185101		1-		
R 3617	CHIPRES.	100	1/16W	5%	RMC1/16 101JATP	J24185101		1-		
R 3618	CHIPRES.	100	1/16W	5%	RMC1/16 101JATP	J24185101		1-		
R 3619	CHIPRES.	100	1/16W	5%	RMC1/16 101JATP	J24185101		1-		
R 3620	CHIPRES.	100	1/16W	5%	RMC1/16 101JATP	J24185101		1-		
R 3621	CHIPRES.	100	1/16W	5%	RMC1/16 101JATP	J24185101		1-		
R 3622	CHIPRES.	100	1/16W	5%	RMC1/16 101JATP	J24185101		1-		
R 3623	CHIPRES.	100	1/16W	5%	RMC1/16 101JATP	J24185101		1-		
R 3624	CHIPRES.	100	1/16W	5%	RMC1/16 101JATP	J24185101		1-		
R 3627	CHIPRES.	100	1/16W	5%	RMC1/16 101JATP	J24185101		1-		
R 3631	CHIPRES.	100	1/16W	5%	RMC1/16 101JATP	J24185101		1-		
R 3632	CHIPRES.	100	1/16W	5%	RMC1/16 101JATP	J24185101		1-		

# VRF-1 Unit

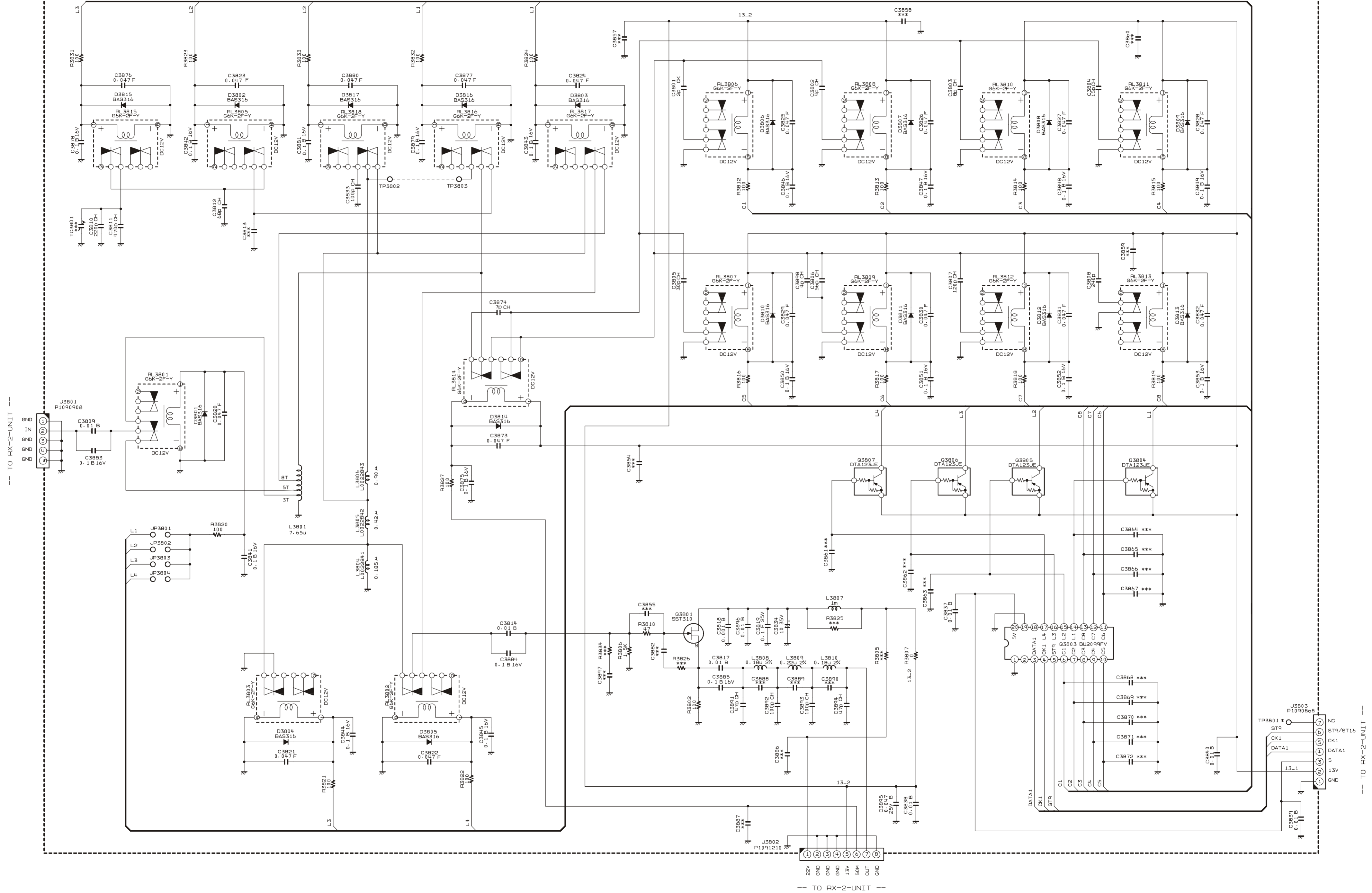
## Parts List

REF	DESCRIPTION	VALUE	V/W	TOL.	MFR'S DESIG	VXSTD P/N	VERS.	LOT	SIDE	LAY ADR
R 3633	CHIPRES.	100	1/16W	5%	RMC1/16 101JATP	J24185101		1-		
RL3601	RELAY		DC12V		G6K-2F-Y-TR DC12V	M1190183		1-		
RL3602	RELAY		DC12V		G6K-2F-Y-TR DC12V	M1190183		1-		
RL3603	RELAY		DC12V		G6K-2F-Y-TR DC12V	M1190183		1-		
RL3605	RELAY		DC12V		G6K-2F-Y-TR DC12V	M1190183		1-		
RL3606	RELAY		DC12V		G6K-2F-Y-TR DC12V	M1190183		1-		
RL3607	RELAY		DC12V		G6K-2F-Y-TR DC12V	M1190183		1-		
RL3608	RELAY		DC12V		G6K-2F-Y-TR DC12V	M1190183		1-		
RL3609	RELAY		DC12V		G6K-2F-Y-TR DC12V	M1190183		1-		
RL3610	RELAY		DC12V		G6K-2F-Y-TR DC12V	M1190183		1-		
RL3611	RELAY		DC12V		G6K-2F-Y-TR DC12V	M1190183		1-		
RL3612	RELAY		DC12V		G6K-2F-Y-TR DC12V	M1190183		1-		
RL3613	RELAY		DC12V		G6K-2F-Y-TR DC12V	M1190183		1-		
RL3614	RELAY		DC12V		G6K-2F-Y-TR DC12V	M1190183		1-		
RL3615	RELAY		DC12V		G6K-2F-Y-TR DC12V	M1190183		1-		
RL3616	RELAY		DC12V		G6K-2F-Y-TR DC12V	M1190183		1-		
RL3617	RELAY		DC12V		G6K-2F-Y-TR DC12V	M1190183		1-		
RL3618	RELAY		DC12V		G6K-2F-Y-TR DC12V	M1190183		1-		

# *VRF-1 Unit*

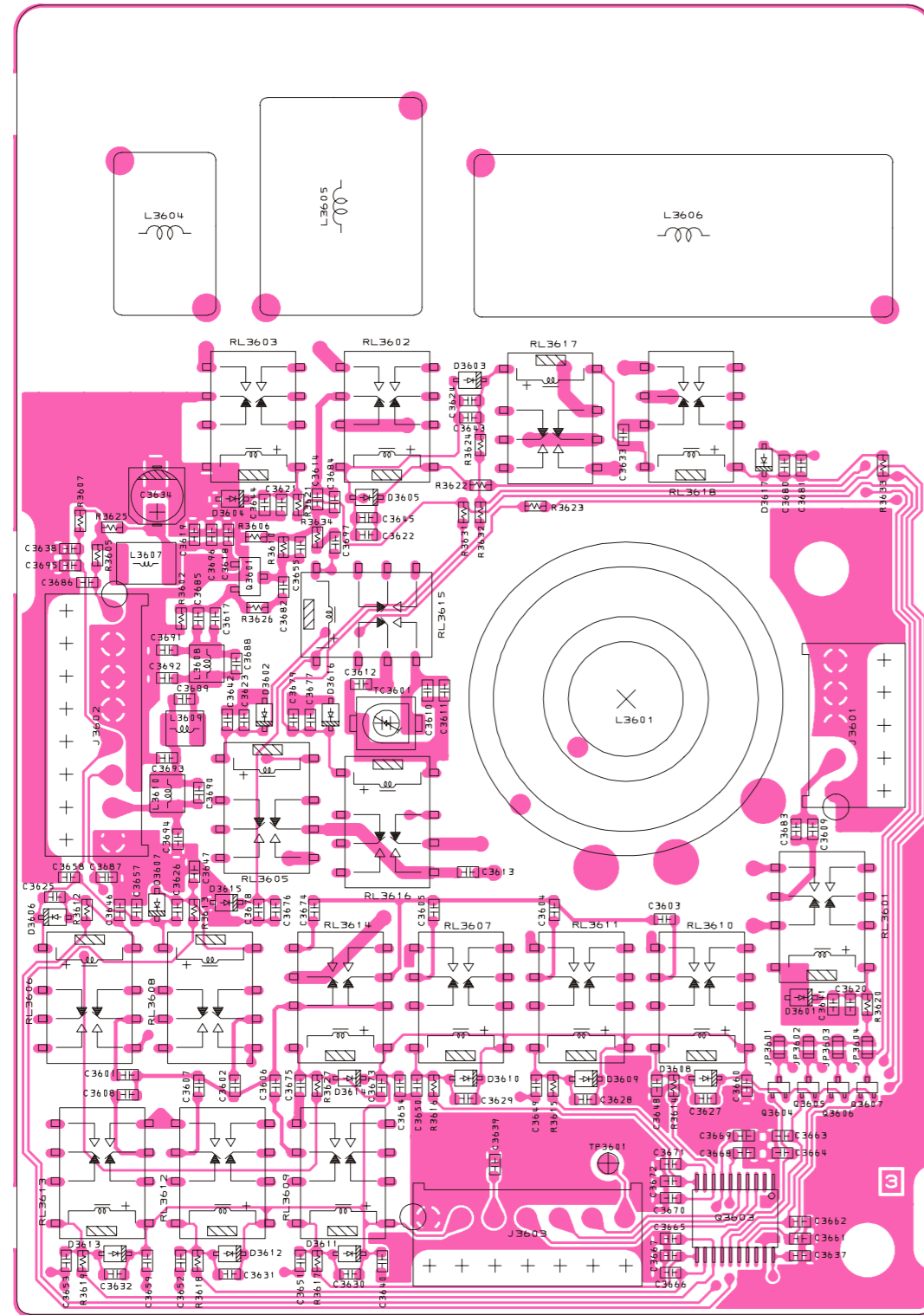
## *Parts List*

VRF-2-UNIT BR009860D (3800-3999)

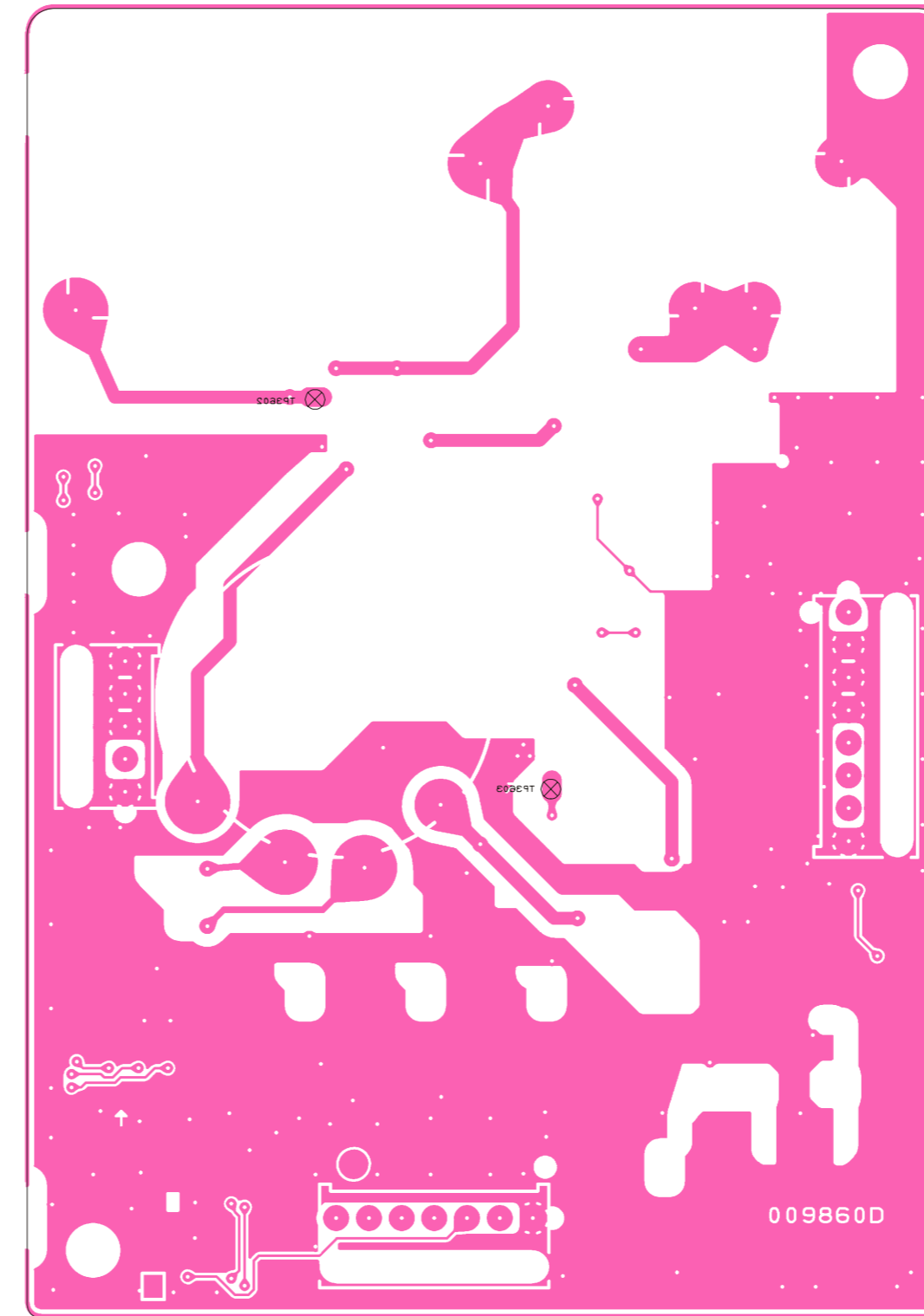


# VRF-2 Unit (RXU-9000)

## Parts Layout



Side A



Side B

# VRF-2 Unit (RXU-9000)

## Parts List

REF	DESCRIPTION	VALUE	V/W	TOL.	MFR'S DESIG	VXSTD P/N	VERS.	LOT	SIDE	LAY ADR
PCB with Components						CB3093001				
Printed Circuit Board						FR009860D			1-	
C 3801	CHIP CAP.	2pF	50V	CK	GRM1884C1H2R0CZ01D	K22174203			1-	
C 3802	CHIP CAP.	4pF	50V	CH	GRM1882C1H4R0CZ01D	K22174205			1-	
C 3803	CHIP CAP.	8pF	50V	CH	GRM1882C1H8R0DZ01D	K22174209			1-	
C 3804	CHIP CAP.	15pF	50V	CH	GRM1882C1H150JA01D	K22174215			1-	
C 3805	CHIP CAP.	30pF	50V	CH	GRM1882C1H300JZ01D	K22174222			1-	
C 3806	CHIP CAP.	56pF	50V	CH	GRM1882C1H560JA01D	K22174229			1-	
C 3807	CHIP CAP.	120pF	50V	CH	GRM1882C1H121JA01D	K22174237			1-	
C 3808	CHIP CAP.	220pF	50V	CH	GRM1882C1H221JA01D	K22174243			1	
C 3808	CHIP CAP.	240pF			MCH185A241JK	K22174270			2-	
C 3809	CHIP CAP.	0.01uF	50V	B	GRM188B11H103KA01D	K22174823			1-	
C 3810	CHIP CAP.	220pF	50V	CH	GRM1882C1H221JA01D	K22174243			1-	
C 3811	CHIP CAP.	470pF	50V	CH	GRM1882C1H471JA01D	K22174249			1-	
C 3812	CHIP CAP.	68pF	50V	CH	GRM1882C1H680JA01D	K22174231			1-	
C 3814	CHIP CAP.	0.01uF	50V	B	GRM188B11H103KA01D	K22174823			1-	
C 3817	CHIP CAP.	0.01uF	50V	B	GRM188B11H103KA01D	K22174823			1-	
C 3818	CHIP CAP.	0.001uF	50V	B	GRM188B11H102KA01D	K22174821			1-	
C 3819	CHIP CAP.	0.1uF	25V	F	GRM188F11E104ZA01D	K22145001			1-	
C 3820	CHIP CAP.	0.047uF	25V	F	GRM39F473Z25PT	K22145002			1-	
C 3820	CHIP CAP.	0.047uF	50V	F	GRM188F11H473ZA01D	K22175001			27-	
C 3821	CHIP CAP.	0.047uF	25V	F	GRM39F473Z25PT	K22145002			1-	
C 3821	CHIP CAP.	0.047uF	50V	F	GRM188F11H473ZA01D	K22175001			27-	
C 3822	CHIP CAP.	0.047uF	25V	F	GRM39F473Z25PT	K22145002			1-	
C 3822	CHIP CAP.	0.047uF	50V	F	GRM188F11H473ZA01D	K22175001			27-	
C 3823	CHIP CAP.	0.047uF	25V	F	GRM39F473Z25PT	K22145002			1-	
C 3823	CHIP CAP.	0.047uF	50V	F	GRM188F11H473ZA01D	K22175001			27-	
C 3824	CHIP CAP.	0.047uF	25V	F	GRM39F473Z25PT	K22145002			1-	
C 3824	CHIP CAP.	0.047uF	50V	F	GRM188F11H473ZA01D	K22175001			27-	
C 3825	CHIP CAP.	0.047uF	25V	F	GRM39F473Z25PT	K22145002			1-	
C 3825	CHIP CAP.	0.047uF	50V	F	GRM188F11H473ZA01D	K22175001			27-	
C 3826	CHIP CAP.	0.047uF	25V	F	GRM39F473Z25PT	K22145002			1-	
C 3826	CHIP CAP.	0.047uF	50V	F	GRM188F11H473ZA01D	K22175001			27-	
C 3827	CHIP CAP.	0.047uF	25V	F	GRM39F473Z25PT	K22145002			1-	
C 3827	CHIP CAP.	0.047uF	50V	F	GRM188F11H473ZA01D	K22175001			27-	
C 3828	CHIP CAP.	0.047uF	25V	F	GRM39F473Z25PT	K22145002			1-	
C 3828	CHIP CAP.	0.047uF	50V	F	GRM188F11H473ZA01D	K22175001			27-	
C 3829	CHIP CAP.	0.047uF	25V	F	GRM39F473Z25PT	K22145002			1-	
C 3829	CHIP CAP.	0.047uF	50V	F	GRM188F11H473ZA01D	K22175001			27-	
C 3830	CHIP CAP.	0.047uF	25V	F	GRM39F473Z25PT	K22145002			1-	
C 3830	CHIP CAP.	0.047uF	50V	F	GRM188F11H473ZA01D	K22175001			27-	
C 3831	CHIP CAP.	0.047uF	25V	F	GRM39F473Z25PT	K22145002			1-	
C 3831	CHIP CAP.	0.047uF	50V	F	GRM188F11H473ZA01D	K22175001			27-	
C 3832	CHIP CAP.	0.047uF	25V	F	GRM39F473Z25PT	K22145002			1-	
C 3832	CHIP CAP.	0.047uF	50V	F	GRM188F11H473ZA01D	K22175001			27-	
C 3833	CHIP CAP.	100pF	50V	CH	GRM1882C1H101JA01D	K22174235			1-	
C 3834	AL.ELECTRO.CAP.	10uF	35V		ECEV1VA100WR	K48160004			9-	
C 3834	AL.ELECTRO.CAP.	10uF	35V		EEE1VA100WR	K48160006			1-	
C 3837	CHIP CAP.	0.01uF	50V	B	GRM188B11H103KA01D	K22174823			1-	
C 3838	CHIP CAP.	0.01uF	50V	B	GRM188B11H103KA01D	K22174823			1-	
C 3839	CHIP CAP.	0.01uF	50V	B	GRM188B11H103KA01D	K22174823			1-	
C 3840	CHIP CAP.	0.01uF	50V	B	GRM188B11H103KA01D	K22174823			1-	
C 3841	CHIP CAP.	0.1uF	16V	B	GRM188B11C104KA01D	K22124805			1-	
C 3842	CHIP CAP.	0.1uF	16V	B	GRM188B11C104KA01D	K22124805			1-	
C 3843	CHIP CAP.	0.1uF	16V	B	GRM188B11C104KA01D	K22124805			1-	
C 3844	CHIP CAP.	0.1uF	16V	B	GRM188B11C104KA01D	K22124805			1-	
C 3845	CHIP CAP.	0.1uF	16V	B	GRM188B11C104KA01D	K22124805			1-	
C 3846	CHIP CAP.	0.1uF	16V	B	GRM188B11C104KA01D	K22124805			1-	
C 3847	CHIP CAP.	0.1uF	16V	B	GRM188B11C104KA01D	K22124805			1-	
C 3848	CHIP CAP.	0.1uF	16V	B	GRM188B11C104KA01D	K22124805			1-	
C 3849	CHIP CAP.	0.1uF	16V	B	GRM188B11C104KA01D	K22124805			1-	
C 3850	CHIP CAP.	0.1uF	16V	B	GRM188B11C104KA01D	K22124805			1-	
C 3851	CHIP CAP.	0.1uF	16V	B	GRM188B11C104KA01D	K22124805			1-	
C 3852	CHIP CAP.	0.1uF	16V	B	GRM188B11C104KA01D	K22124805			1-	
C 3853	CHIP CAP.	0.1uF	16V	B	GRM188B11C104KA01D	K22124805			1-	
C 3873	CHIP CAP.	0.047uF	25V	F	GRM39F473Z25PT	K22145002			1-	
C 3873	CHIP CAP.	0.047uF	50V	F	GRM188F11H473ZA01D	K22175001			27-	
C 3874	CHIP CAP.	7pF	50V	CH	GRM1882C1H7R0DZ01D	K22174208			1-	
C 3875	CHIP CAP.	0.1uF	16V	B	GRM188B11C104KA01D	K22124805			1-	
C 3876	CHIP CAP.	0.047uF	25V	F	GRM39F473Z25PT	K22145002			1-	
C 3876	CHIP CAP.	0.047uF	50V	F	GRM188F11H473ZA01D	K22175001			27-	
C 3877	CHIP CAP.	0.047uF	25V	F	GRM39F473Z25PT	K22145002			1-	
C 3877	CHIP CAP.	0.047uF	50V	F	GRM188F11H473ZA01D	K22175001			27-	

# VRF-2 Unit (RXU-9000)

## Parts List

REF	DESCRIPTION	VALUE	V/W	TOL.	MFR'S DESIG	VXSTD P/N	VERS.	LOT	SIDE	LAY ADR
C 3878	CHIP CAP.	0.1uF	16V	B	GRM188B11C104KA01D	K22124805		1-		
C 3879	CHIP CAP.	0.1uF	16V	B	GRM188B11C104KA01D	K22124805		1-		
C 3880	CHIP CAP.	0.047uF	25V	F	GRM39F473Z25PT	K22145002		1-		
C 3880	CHIP CAP.	0.047uF	50V	F	GRM188F11H473ZA01D	K22175001		27-		
C 3881	CHIP CAP.	0.1uF	16V	B	GRM188B11C104KA01D	K22124805		1-		
C 3883	CHIP CAP.	0.1uF	16V	B	GRM188B11C104KA01D	K22124805		1-		
C 3884	CHIP CAP.	0.1uF	16V	B	GRM188B11C104KA01D	K22124805		1-		
C 3885	CHIP CAP.	0.1uF	16V	B	GRM188B11C104KA01D	K22124805		1-		
C 3891	CHIP CAP.	47pF	50V	CH	GRM1882C1H470JA01D	K22174227		1-		
C 3892	CHIP CAP.	100pF	50V	CH	GRM1882C1H101JA01D	K22174235		1-		
C 3893	CHIP CAP.	100pF	50V	CH	GRM1882C1H101JA01D	K22174235		1-		
C 3894	CHIP CAP.	47pF	50V	CH	GRM1882C1H470JA01D	K22174227		1-		
C 3895	CHIP CAP.	0.047uF	16V	B	GRM39B473K16PT	K22124804		1-		
C 3895	CHIP CAP.	0.047uF	25V	B	GRM188B11E473KA01D	K22144811		27-		
C 3896	CHIP CAP.	0.01uF	50V	B	GRM188B11H103KA01D	K22174823		1-		
C 3898	CHIP CAP.	4pF	50V	CH	GRM1882C1H4R0CZ01D	K22174205		1-		
C 3899	CHIP CAP.	20pF	50V	CH	GRM1882C1H200JZ01D	K22174218		1		
D 3801	DIODE				BAS316	G2070716		1-		
D 3802	DIODE				BAS316	G2070716		1-		
D 3803	DIODE				BAS316	G2070716		1-		
D 3804	DIODE				BAS316	G2070716		1-		
D 3805	DIODE				BAS316	G2070716		1-		
D 3806	DIODE				BAS316	G2070716		1-		
D 3807	DIODE				BAS316	G2070716		1-		
D 3808	DIODE				BAS316	G2070716		1-		
D 3809	DIODE				BAS316	G2070716		1-		
D 3810	DIODE				BAS316	G2070716		1-		
D 3811	DIODE				BAS316	G2070716		1-		
D 3812	DIODE				BAS316	G2070716		1-		
D 3813	DIODE				BAS316	G2070716		1-		
D 3814	DIODE				BAS316	G2070716		1-		
D 3815	DIODE				BAS316	G2070716		1-		
D 3816	DIODE				BAS316	G2070716		1-		
D 3817	DIODE				BAS316	G2070716		1-		
J 3801	CONNECTOR				IMSA-9133S-05D	P1090908		1-		
J 3802	CONNECTOR				IMSA-9133S-08D	P1091210		1-		
J 3803	CONNECTOR				IMSA-9133S-07D	P1090868		1-		
JP3800	WIRE ASSY				GRN 40 2/2	T50504000		1-		
L 3801	TOROIDAL COIL	7.65uH			7.65U T80-2	L0022848A		1-		
L 3804	COIL A1				3.5T10.0D1.2PEW R	L0022841		1-		
L 3805	COIL A1				7.5T10.0D1.2PEW R	L0022842		1-		
L 3806	COIL A1				14.5T10.0D1.2PEW R	L0022843		1-		
L 3807	CHIP COIL	1mH			LQH43MN102K03L	L1690108		1-		
L 3808	CHIP COIL	0.18uH		2%	C2520C-R18G	L1691297		1-		
L 3809	CHIP COIL	0.22uH		2%	C2520C-R22G	L1691298		1-		
L 3810	CHIP COIL	0.18uH		2%	C2520C-R18G	L1691297		1-		
Q 3801	FET				SST310-T1	G4070009		1-		
Q 3803	IC				BU2099FV-E2	G1093243		1-		
Q 3804	TRANSISTOR				DTA123JE TL	G3070331		1-		
Q 3805	TRANSISTOR				DTA123JE TL	G3070331		1-		
Q 3806	TRANSISTOR				DTA123JE TL	G3070331		1-		
Q 3807	TRANSISTOR				DTA123JE TL	G3070331		1-		
R 3802	CHIPRES.	100	1/16W	5%	RMC1/16 101JATP	J24185101		1-		
R 3806	CHIPRES.	1.5k	1/16W	5%	RMC1/16 152JATP	J24185152		1-		
R 3807	CHIPRES.	0	1/16W	5%	RMC1/16 000JATP	J24185000		1-		
R 3810	CHIPRES.	0	1/16W	5%	RMC1/16 000JATP	J24185000		1		
R 3810	CHIPRES.	47	1/16W	5%	RMC1/16 470JATP	J24185470		2-		
R 3812	CHIPRES.	100	1/16W	5%	RMC1/16 101JATP	J24185101		1-		
R 3813	CHIPRES.	100	1/16W	5%	RMC1/16 101JATP	J24185101		1-		
R 3814	CHIPRES.	100	1/16W	5%	RMC1/16 101JATP	J24185101		1-		
R 3815	CHIPRES.	100	1/16W	5%	RMC1/16 101JATP	J24185101		1-		
R 3816	CHIPRES.	100	1/16W	5%	RMC1/16 101JATP	J24185101		1-		
R 3817	CHIPRES.	100	1/16W	5%	RMC1/16 101JATP	J24185101		1-		
R 3818	CHIPRES.	100	1/16W	5%	RMC1/16 101JATP	J24185101		1-		
R 3819	CHIPRES.	100	1/16W	5%	RMC1/16 101JATP	J24185101		1-		
R 3820	CHIPRES.	100	1/16W	5%	RMC1/16 101JATP	J24185101		1-		
R 3821	CHIPRES.	100	1/16W	5%	RMC1/16 101JATP	J24185101		1-		
R 3822	CHIPRES.	100	1/16W	5%	RMC1/16 101JATP	J24185101		1-		
R 3823	CHIPRES.	100	1/16W	5%	RMC1/16 101JATP	J24185101		1-		
R 3824	CHIPRES.	100	1/16W	5%	RMC1/16 101JATP	J24185101		1-		
R 3827	CHIPRES.	100	1/16W	5%	RMC1/16 101JATP	J24185101		1-		
R 3831	CHIPRES.	100	1/16W	5%	RMC1/16 101JATP	J24185101		1-		
R 3832	CHIPRES.	100	1/16W	5%	RMC1/16 101JATP	J24185101		1-		

# VRF-2 Unit (RXU-9000)

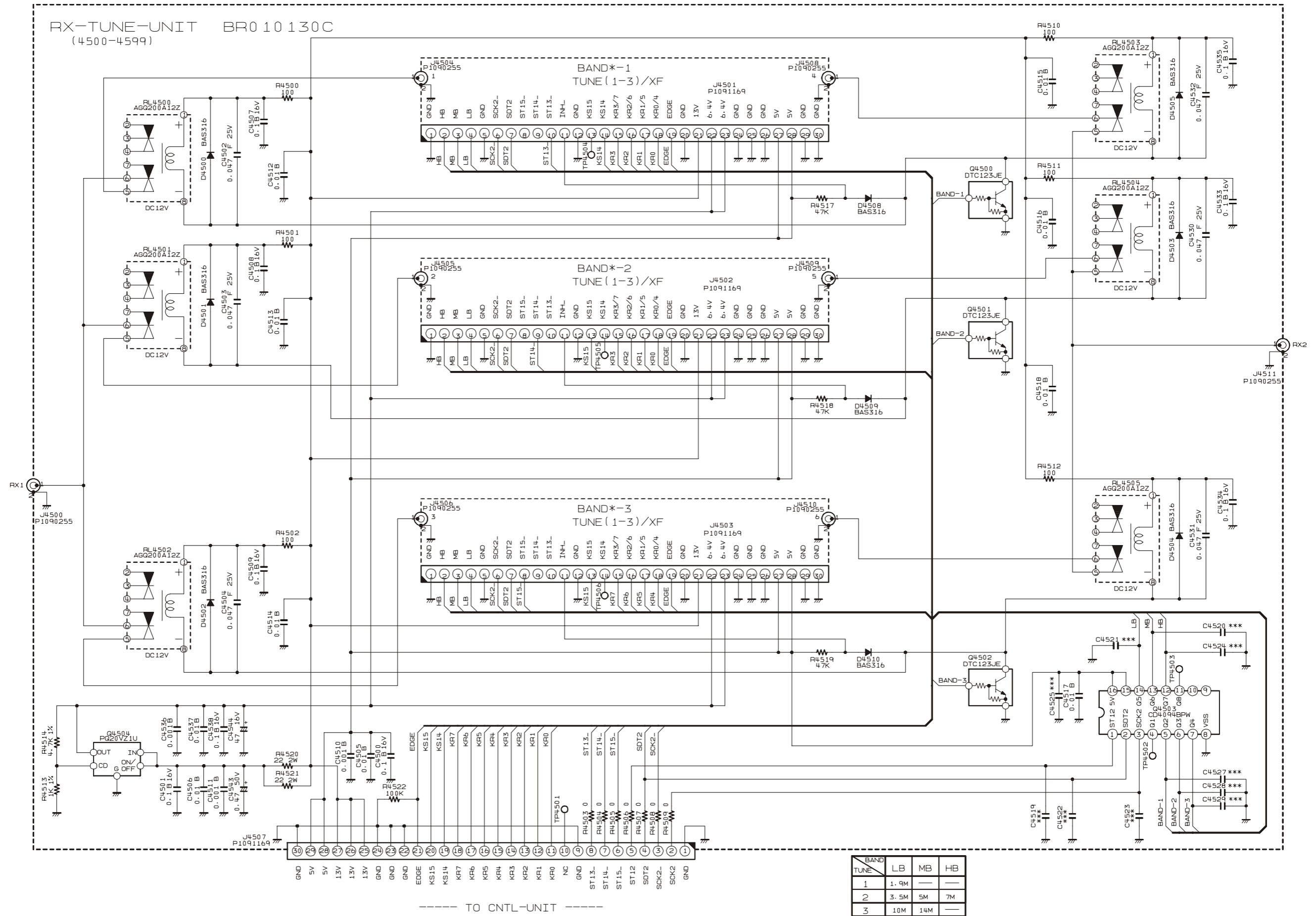
## Parts List

REF	DESCRIPTION	VALUE	V/W	TOL.	MFR'S DESIG	VXSTD P/N	VERS.	LOT	SIDE	LAY ADR
R 3833	CHIPRES.	100	1/16W	5%	RMC1/16 101JATP	J24185101		1-		
RL3801	RELAY		DC12V		G6K-2F-Y-TR DC12V	M1190183		1-		
RL3802	RELAY		DC12V		G6K-2F-Y-TR DC12V	M1190183		1-		
RL3803	RELAY		DC12V		G6K-2F-Y-TR DC12V	M1190183		1-		
RL3805	RELAY		DC12V		G6K-2F-Y-TR DC12V	M1190183		1-		
RL3806	RELAY		DC12V		G6K-2F-Y-TR DC12V	M1190183		1-		
RL3807	RELAY		DC12V		G6K-2F-Y-TR DC12V	M1190183		1-		
RL3808	RELAY		DC12V		G6K-2F-Y-TR DC12V	M1190183		1-		
RL3809	RELAY		DC12V		G6K-2F-Y-TR DC12V	M1190183		1-		
RL3810	RELAY		DC12V		G6K-2F-Y-TR DC12V	M1190183		1-		
RL3811	RELAY		DC12V		G6K-2F-Y-TR DC12V	M1190183		1-		
RL3812	RELAY		DC12V		G6K-2F-Y-TR DC12V	M1190183		1-		
RL3813	RELAY		DC12V		G6K-2F-Y-TR DC12V	M1190183		1-		
RL3814	RELAY		DC12V		G6K-2F-Y-TR DC12V	M1190183		1-		
RL3815	RELAY		DC12V		G6K-2F-Y-TR DC12V	M1190183		1-		
RL3816	RELAY		DC12V		G6K-2F-Y-TR DC12V	M1190183		1-		
RL3817	RELAY		DC12V		G6K-2F-Y-TR DC12V	M1190183		1-		
RL3818	RELAY		DC12V		G6K-2F-Y-TR DC12V	M1190183		1-		



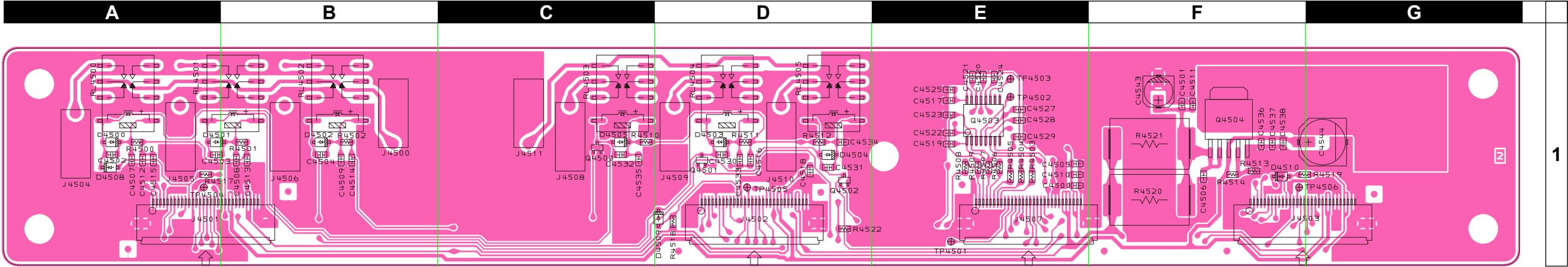
# *VRF-2 Unit (RXU-9000)*

## *Parts List*

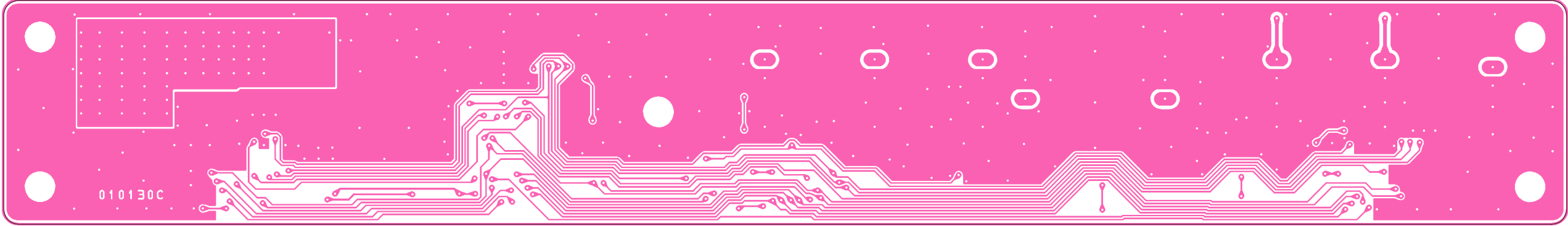
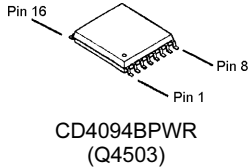
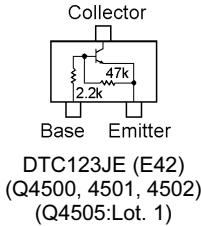


# RX-TUNE Unit

## Parts Layout



Side A



Side B

# RX-TUNE Unit

## Parts List

REF	DESCRIPTION	VALUE	V/W	TOL.	MFR'S DESIG	YAESU P/N	VERS.	LOT	SIDE	LAY ADR
PCB with Components						CB2391001		1-15		
						CB2391002	CE:OFF	16-		
						CB2391003	CE:ON	16-		
C 4500	CHIP CAP.	0.1uF	16V	B	GRM188B11C104KA01D	K22124805		1-	A	E1
C 4501	CHIP CAP.	0.1uF	16V	B	GRM188B11C104KA01D	K22124805		1-	A	F1
C 4502	CHIP CAP.	0.047uF	25V	F	GRM39F473Z25PT	K22145002		1-	A	A1
C 4503	CHIP CAP.	0.047uF	25V	F	GRM39F473Z25PT	K22145002		1-	A	A1
C 4504	CHIP CAP.	0.047uF	25V	F	GRM39F473Z25PT	K22145002		1-	A	B1
C 4505	CHIP CAP.	0.01uF	50V	B	GRM188B11H103KA01D	K22174823		1-	A	E1
C 4506	CHIP CAP.	0.01uF	50V	B	GRM188B11H103KA01D	K22174823		1-	A	F1
C 4507	CHIP CAP.	0.1uF	16V	B	GRM188B11C104KA01D	K22124805		1-	A	A1
C 4508	CHIP CAP.	0.1uF	16V	B	GRM188B11C104KA01D	K22124805		1-	A	B1
C 4509	CHIP CAP.	0.1uF	16V	B	GRM188B11C104KA01D	K22124805		1-	A	B1
C 4510	CHIP CAP.	0.001uF	50V	B	GRM188B11H102KA01D	K22174821		1-	A	E1
C 4511	CHIP CAP.	0.001uF	50V	B	GRM188B11H102KA01D	K22174821		1-	A	F1
C 4512	CHIP CAP.	0.01uF	50V	B	GRM188B11H103KA01D	K22174823		1-	A	A1
C 4513	CHIP CAP.	0.01uF	50V	B	GRM188B11H103KA01D	K22174823		1-	A	B1
C 4514	CHIP CAP.	0.01uF	50V	B	GRM188B11H103KA01D	K22174823		1-	A	B1
C 4515	CHIP CAP.	0.01uF	50V	B	GRM188B11H103KA01D	K22174823		1-	A	A1
C 4516	CHIP CAP.	0.01uF	50V	B	GRM188B11H103KA01D	K22174823		1-	A	D1
C 4517	CHIP CAP.	0.01uF	50V	B	GRM188B11H103KA01D	K22174823		1-	A	E1
C 4518	CHIP CAP.	0.01uF	50V	B	GRM188B11H103KA01D	K22174823		1-	A	D1
C 4530	CHIP CAP.	0.047uF	25V	F	GRM39F473Z25PT	K22145002		1-	A	D1
C 4531	CHIP CAP.	0.047uF	25V	F	GRM39F473Z25PT	K22145002		1-	A	D1
C 4532	CHIP CAP.	0.047uF	25V	F	GRM39F473Z25PT	K22145002		1-	A	C1
C 4533	CHIP CAP.	0.1uF	16V	B	GRM188B11C104KA01D	K22124805		1-	A	D1
C 4534	CHIP CAP.	0.1uF	16V	B	GRM188B11C104KA01D	K22124805		1-	A	D1
C 4535	CHIP CAP.	0.1uF	16V	B	GRM188B11C104KA01D	K22124805		1-	A	C1
C 4536	CHIP CAP.	0.001uF	50V	B	GRM188B11H102KA01D	K22174821		1-	A	F1
C 4537	CHIP CAP.	0.01uF	50V	B	GRM188B11H103KA01D	K22174823		1-	A	F1
C 4538	CHIP CAP.	0.1uF	16V	B	GRM188B11C104KA01D	K22124805		1-	A	F1
C 4539	CHIP CAP.	0.047uF	25V	F	GRM39F473Z25PT	K22145002		1		
C 4540	CHIP CAP.	0.047uF	25V	F	GRM39F473Z25PT	K22145002		1		
C 4541	CHIP CAP.	0.1uF	16V	B	GRM188B11C104KA01D	K22124805		1		
C 4542	CHIP CAP.	0.1uF	16V	B	GRM188B11C104KA01D	K22124805		1		
C 4543	AL.ELECTRO.CAP.	0.33uF	50V		RC2-50VR33MB-F1	K40179045		1	A	F1
C 4543	AL.ELECTRO.CAP.	0.47uF	50V		ECEV1HAR47SR	K48170013		2-	A	F1
C 4544	AL.ELECTRO.CAP.	47uF	16V		RC2-16V470MSG-T58	K46120010		1	A	G1
C 4544	AL.ELECTRO.CAP.	47uF	16V		ECEV1CA470SP	K48120005		2-	A	G1
D 4500	DIODE				BAS316	G2070716		1-	A	A1
D 4501	DIODE				BAS316	G2070716		1-	A	A1
D 4502	DIODE				BAS316	G2070716		1-	A	B1
D 4503	DIODE				BAS316	G2070716		1-	A	D1
D 4504	DIODE				BAS316	G2070716		1-	A	D1
D 4505	DIODE				BAS316	G2070716		1-	A	C1
D 4506	DIODE				BAS316	G2070716		1		
D 4507	DIODE				BAS316	G2070716		1		
D 4508	DIODE				GMA01U-BT	G2060023		1	A	A1
D 4508	DIODE				BAS316	G2070716		2-	A	A1
D 4509	DIODE				GMA01U-BT	G2060023		1	A	D1
D 4509	DIODE				BAS316	G2070716		2-	A	D1
D 4510	DIODE				GMA01U-BT	G2060023		1	A	F1
D 4510	DIODE				BAS316	G2070716		2-	A	F1
J 4500	CONNECTOR				TMP-J01X-A2	P1090255		1-	A	B1
J 4500	CONNECTOR				TMP-S01X-C1	P1091254		5-	A	B1
J 4501	CONNECTOR				9637S-30-Y905	P1091169		1-	A	A1
J 4502	CONNECTOR				9637S-30-Y905	P1091169		1-	A	D1
J 4503	CONNECTOR				9637S-30-Y905	P1091169		1-	A	G1
J 4504	CONNECTOR				TMP-J01X-A2	P1090255		1-	A	A1
J 4504	CONNECTOR				TMP-S01X-C1	P1091254		5-	A	A1
J 4505	CONNECTOR				TMP-J01X-A2	P1090255		1-	A	A1
J 4505	CONNECTOR				TMP-S01X-C1	P1091254		5-	A	A1
J 4506	CONNECTOR				TMP-J01X-A2	P1090255		1-	A	B1
J 4506	CONNECTOR				TMP-S01X-C1	P1091254		5-	A	B1
J 4507	CONNECTOR				9637S-30-Y905	P1091169		1-	A	E1
J 4508	CONNECTOR				TMP-J01X-A2	P1090255		1-	A	C1
J 4508	CONNECTOR				TMP-S01X-C1	P1091254		5-	A	C1
J 4509	CONNECTOR				TMP-J01X-A2	P1090255		1-	A	D1
J 4509	CONNECTOR				TMP-S01X-C1	P1091254		5-	A	D1
J 4510	CONNECTOR				TMP-J01X-A2	P1090255		1-	A	D1
J 4510	CONNECTOR				TMP-S01X-C1	P1091254		5-	A	D1
J 4511	CONNECTOR				TMP-J01X-A2	P1090255		1-	A	C1
J 4511	CONNECTOR				TMP-S01X-C1	P1091254		5-	A	C1

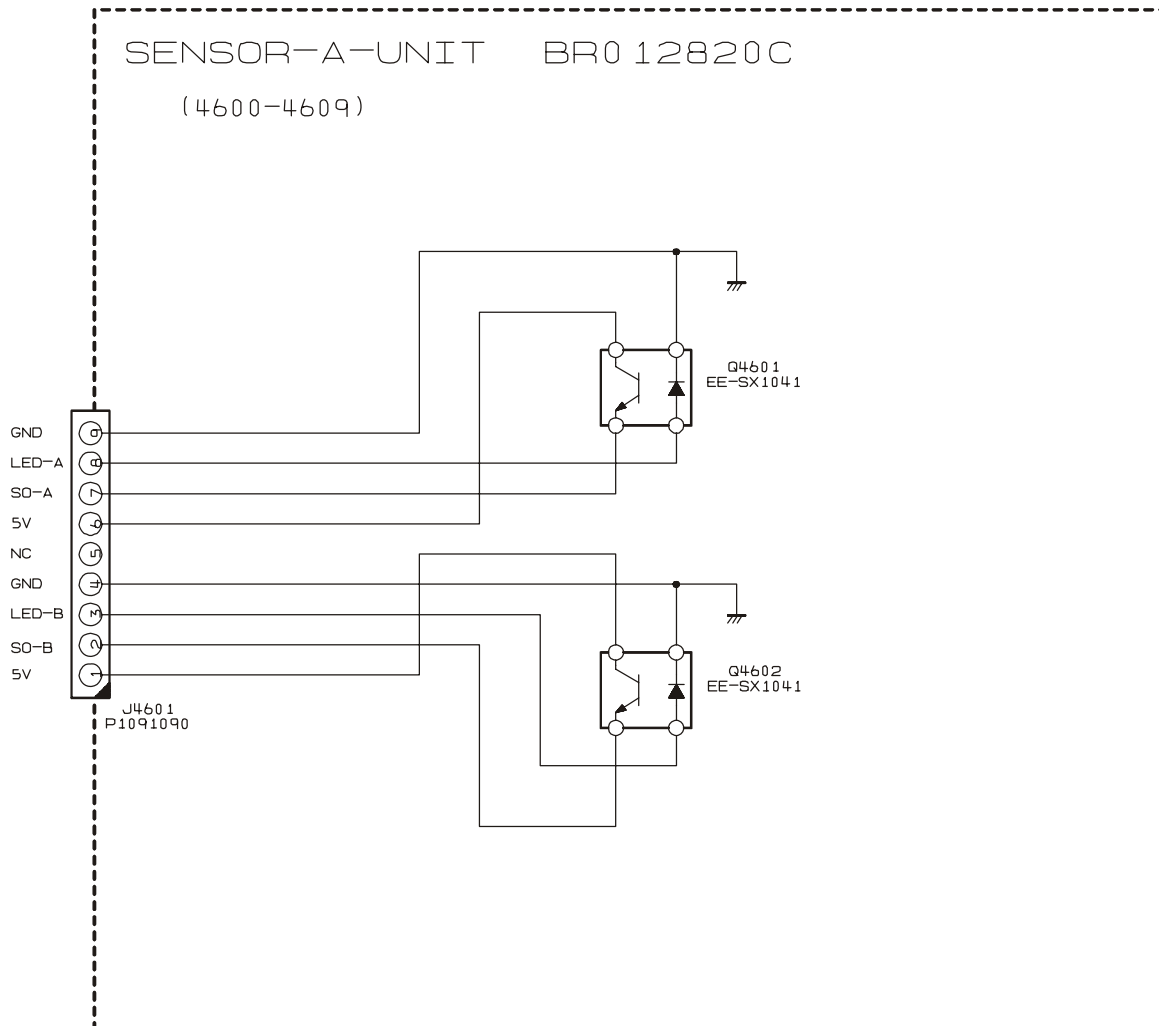
# RX-TUNE Unit

## Parts List

REF	DESCRIPTION	VALUE	V/W	TOL.	MFR'S DESIG	YAESU P/N	VERS.	LOT	SIDE	LAY ADR
Q 4500	TRANSISTOR				DTC123JE TL	G3070323		1-	A	C1
Q 4501	TRANSISTOR				DTC123JE TL	G3070323		1-	A	D1
Q 4502	TRANSISTOR				DTC123JE TL	G3070323		1-	A	D1
Q 4503	IC				CD4094BPWR	G1093866		1-	A	E1
Q 4504	IC				PQ20VZ1U	G1092705		1-	A	F1
Q 4505	TRANSISTOR				DTC123JE TL	G3070323		1		
R 4500	CHIP RES.	100	1/16W	5%	RMC1/16 101JATP	J24185101		1-	A	A1
R 4501	CHIP RES.	100	1/16W	5%	RMC1/16 101JATP	J24185101		1-	A	B1
R 4502	CHIP RES.	100	1/16W	5%	RMC1/16 101JATP	J24185101		1-	A	B1
R 4503	CHIP RES.	0	1/16W	5%	RMC1/16 000JATP	J24185000		1-	A	E1
R 4504	CHIP RES.	0	1/16W	5%	RMC1/16 000JATP	J24185000		1-	A	E1
R 4505	CHIP RES.	0	1/16W	5%	RMC1/16 000JATP	J24185000		1-	A	E1
R 4506	CHIP RES.	0	1/16W	5%	RMC1/16 000JATP	J24185000		1-	A	E1
R 4507	CHIP RES.	0	1/16W	5%	RMC1/16 000JATP	J24185000		1-	A	E1
R 4508	CHIP RES.	0	1/16W	5%	RMC1/16 000JATP	J24185000		1-	A	E1
R 4509	CHIP RES.	0	1/16W	5%	RMC1/16 000JATP	J24185000		1-	A	E1
R 4510	CHIP RES.	100	1/16W	5%	RMC1/16 101JATP	J24185101		1-	A	C1
R 4511	CHIP RES.	100	1/16W	5%	RMC1/16 101JATP	J24185101		1-	A	D1
R 4512	CHIP RES.	100	1/16W	5%	RMC1/16 101JATP	J24185101		1-	A	D1
R 4513	CHIP RES.	1k	1/16W	1%	RMC1/16 102FTP	J24183102		1-	A	F1
R 4514	CHIP RES.	4.7k	1/16W	1%	RMC1/16 472FTP	J24183472		1-	A	F1
R 4515	CHIP RES.	100	1/16W	5%	RMC1/16 101JATP	J24185101		1		
R 4516	CHIP RES.	100	1/16W	5%	RMC1/16 101JATP	J24185101		1		
R 4517	CARBON FILM RES.	47k	1/6W	5%	RD16TPJ473 47K	J07225473		1	A	A1
R 4517	CHIP RES.	47k	1/16W	5%	RMC1/16 473JATP	J24185473		2-	A	A1
R 4518	CARBON FILM RES.	47k	1/6W	5%	RD16TPJ473 47K	J07225473		1	A	D1
R 4518	CHIP RES.	47k	1/16W	5%	RMC1/16 473JATP	J24185473		2-	A	D1
R 4519	CARBON FILM RES.	47k	1/6W	5%	RD16TPJ473 47K	J07225473		1	A	G1
R 4519	CHIP RES.	47k	1/16W	5%	RMC1/16 473JATP	J24185473		2-	A	G1
R 4520	METAL FILM RES.	10	2W	5%	ERG-2SJ100 10	J22335100		1	A	F1
R 4520	CHIP RES.	22	2W	5%	CMT2TTE 22 J1000	J24339033		2-	A	F1
R 4521	CHIP RES.	22	2W	5%	CMT2TTE 22 J1000	J24339033		2-	A	F1
R 4522	CHIP RES.	100k	1/16W	5%	RMC1/16 104JATP	J24185104		2-	A	D1
R 4523	CARBON FILM RES.	100k	1/6W	5%	RD16TPJ104 100K	J07225104		1		
RL4500	RELAY		DC12V		AGQ200A12Z DC12V	M1190188		1-	A	A1
RL4501	RELAY		DC12V		AGQ200A12Z DC12V	M1190188		1-	A	B1
RL4502	RELAY		DC12V		AGQ200A12Z DC12V	M1190188		1-	A	B1
RL4503	RELAY		DC12V		AGQ200A12Z DC12V	M1190188		1-	A	C1
RL4504	RELAY		DC12V		AGQ200A12Z DC12V	M1190188		1-	A	D1
RL4505	RELAY		DC12V		AGQ200A12Z DC12V	M1190188		1-	A	D1
RL4506	RELAY		DC12V		AGQ200A12Z DC12V	M1190188		1		
RL4507	RELAY		DC12V		AGQ200A12Z DC12V	M1190188		1		

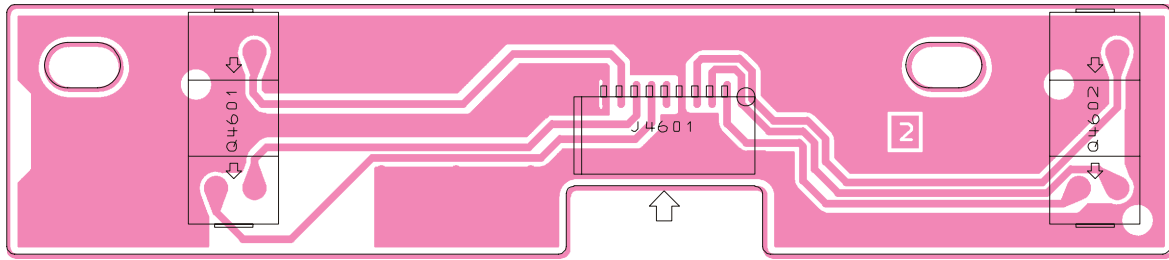
# SENSOR-A Unit

## Circuit Diagram



# SENSOR-A Unit

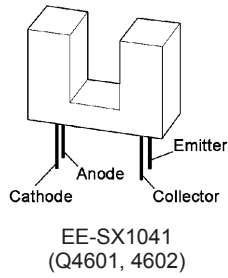
## Parts Layout



Side A



Side B

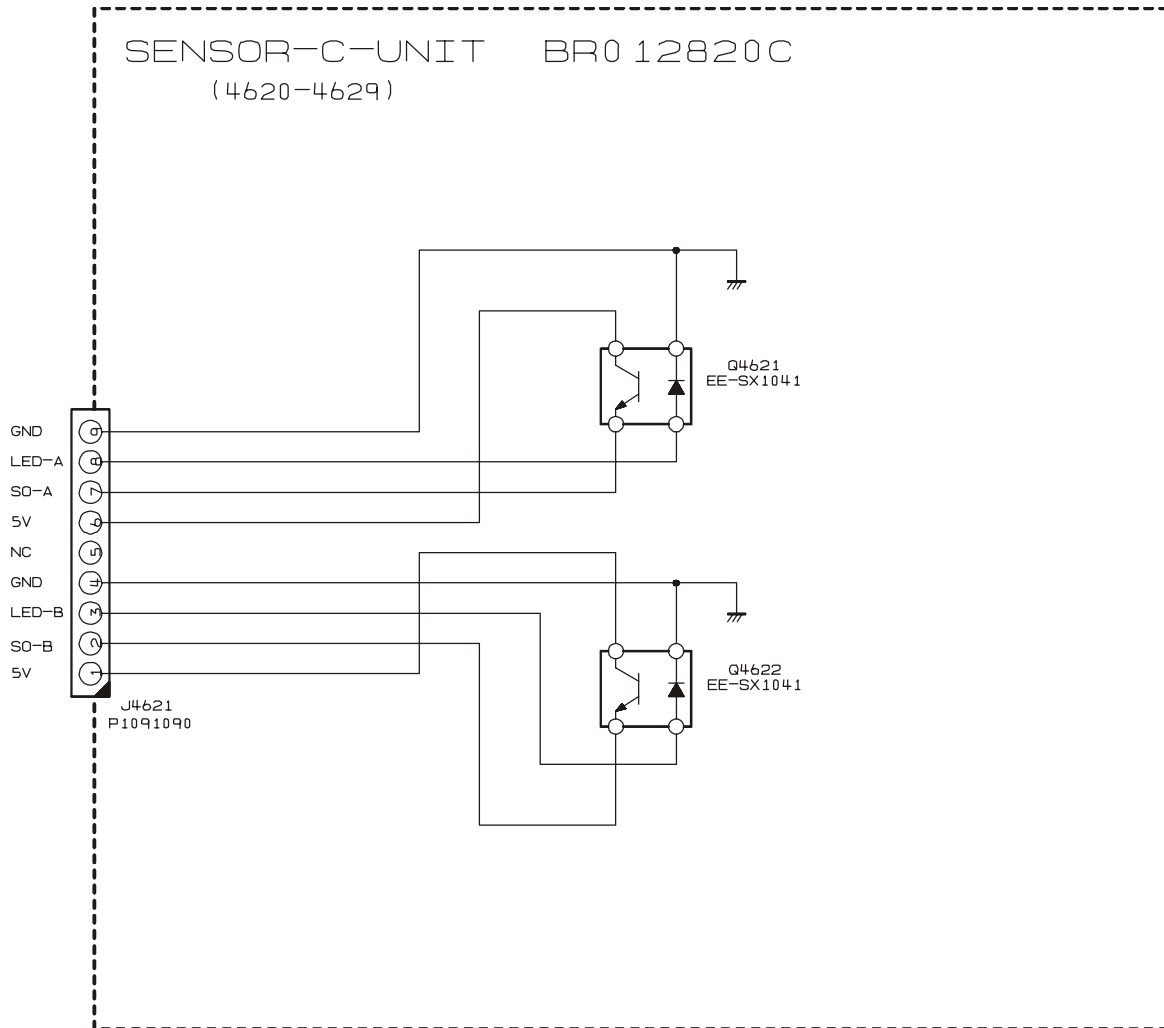


## Parts List

REF	DESCRIPTION	VALUE	V/W	TOL.	MFR'S DESIG	VXSTD P/N	VERS.	LOT	SIDE	LAY ADR
	PCB with Components					CB3067001				
	Printed Circuit Board					FR0128200		1-		
J 4601	CONNECTOR				09FMN-SMT-TF	P1091090		1-		
Q 4601	PHOTO INTERRUPTOR				EE-SX1041	G0090038		1-		
Q 4602	PHOTO INTERRUPTOR				EE-SX1041	G0090038		1-		

# SENSOR-C Unit

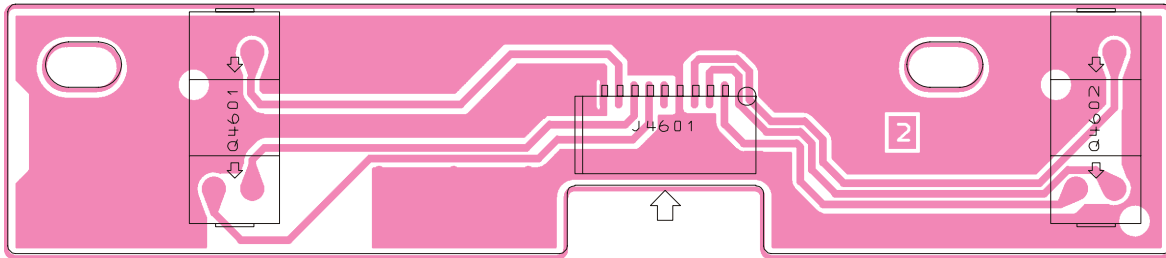
## Circuit Diagram





# SENSOR-C Unit

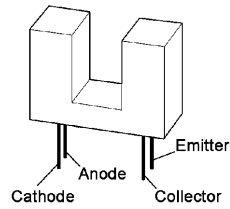
## Parts Layout



Side A



Side B



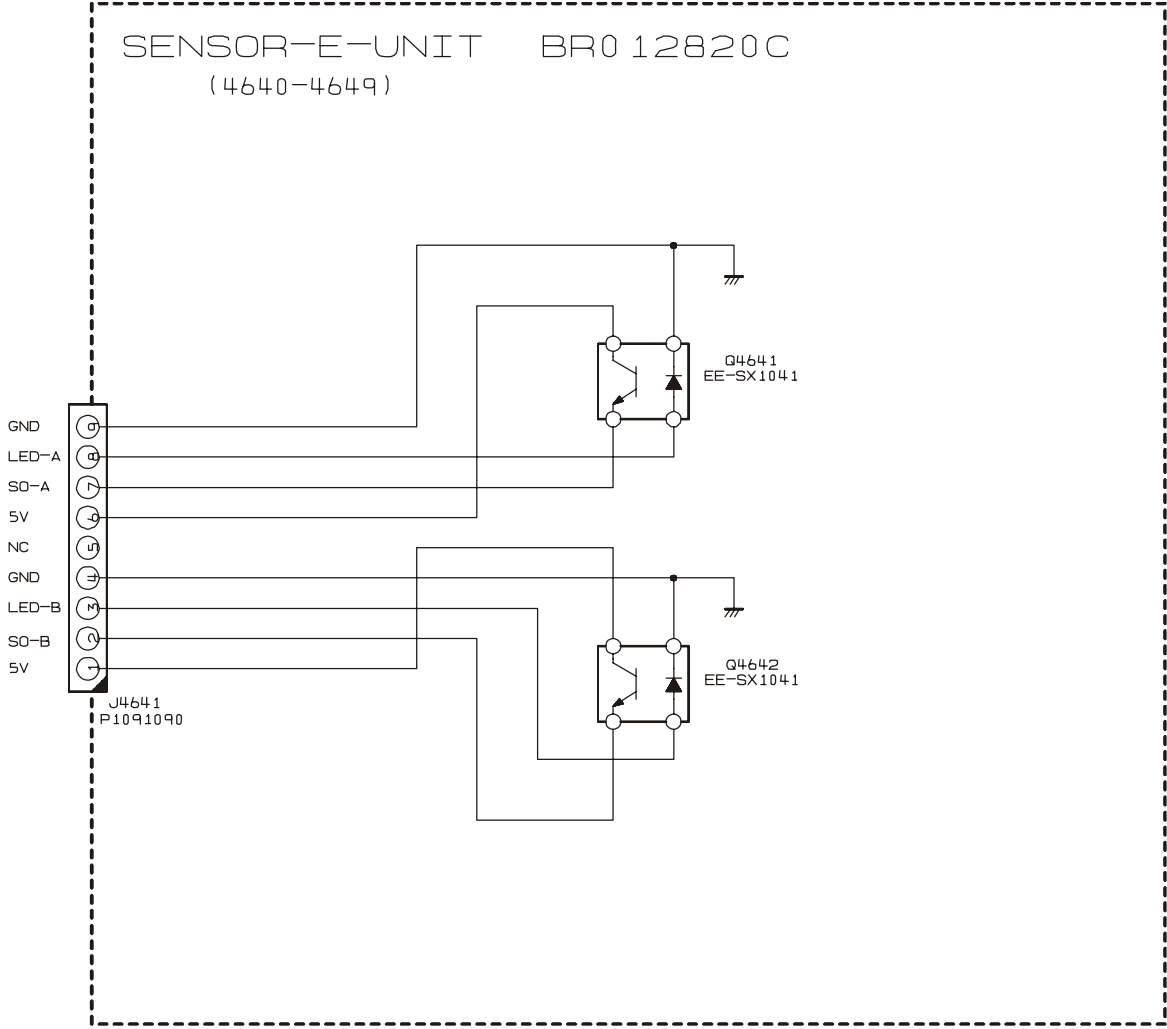
EE-SX1041  
(Q4621, 4622)

## Parts List

REF	DESCRIPTION	VALUE	V/W	TOL.	MFR'S DESIG	VXSTD P/N	VERS.	LOT	SIDE	LAY ADR
	PCB with Components					CB3134001				
	Printed Circuit Board					FR0128200		1-		
J 4621	CONNECTOR				09FMN-SMT-TF	P1091090		1-		
Q 4621	PHOTO INTERRUPTOR				EE-SX1041	G0090038		1-		
Q 4622	PHOTO INTERRUPTOR				EE-SX1041	G0090038		1-		

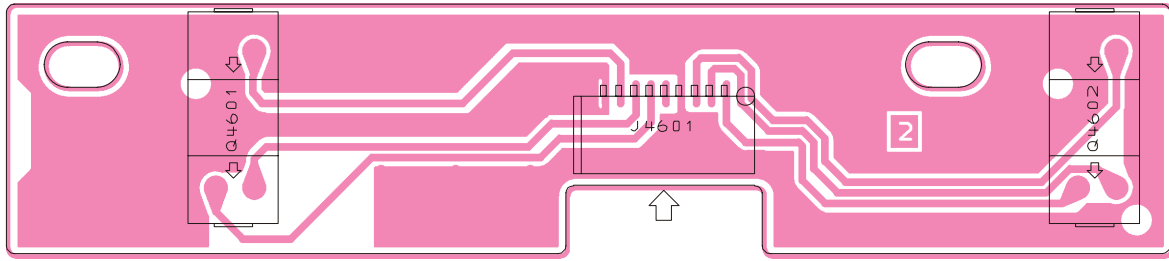
# SENSOR-E Unit

## Circuit Diagram



# SENSOR-E Unit

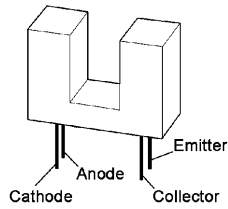
## Parts Layout



Side A



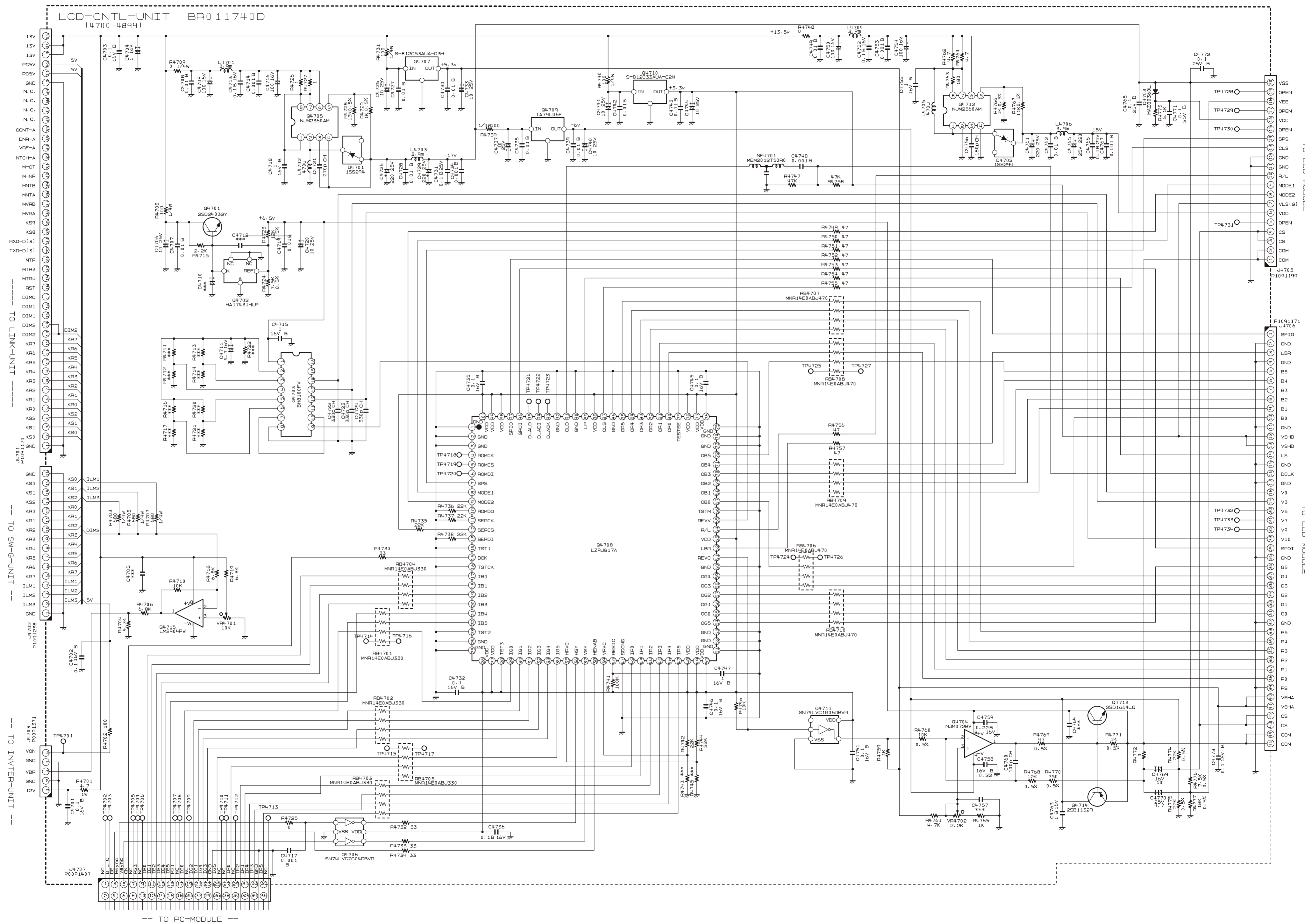
Side B



EE-SX1041  
(Q4601, 4602)

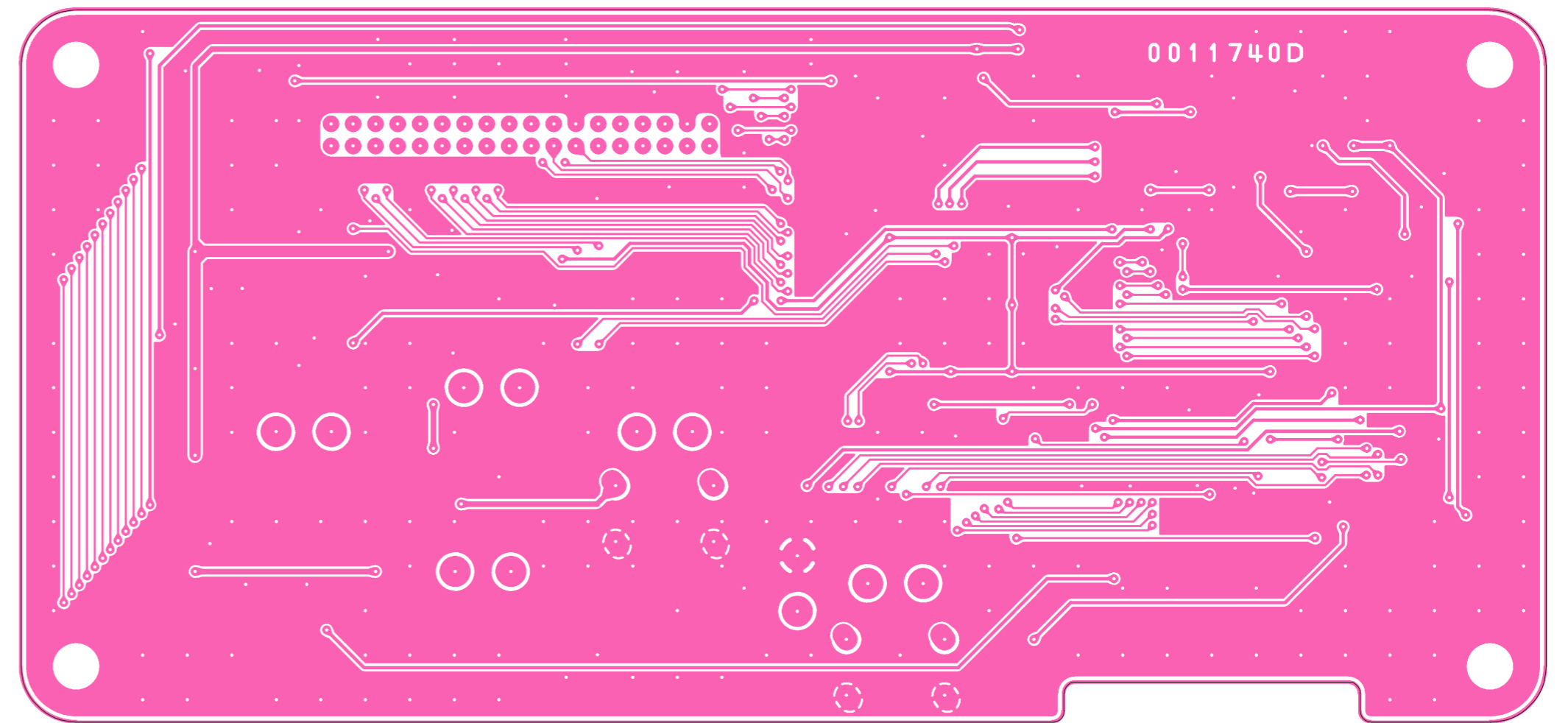
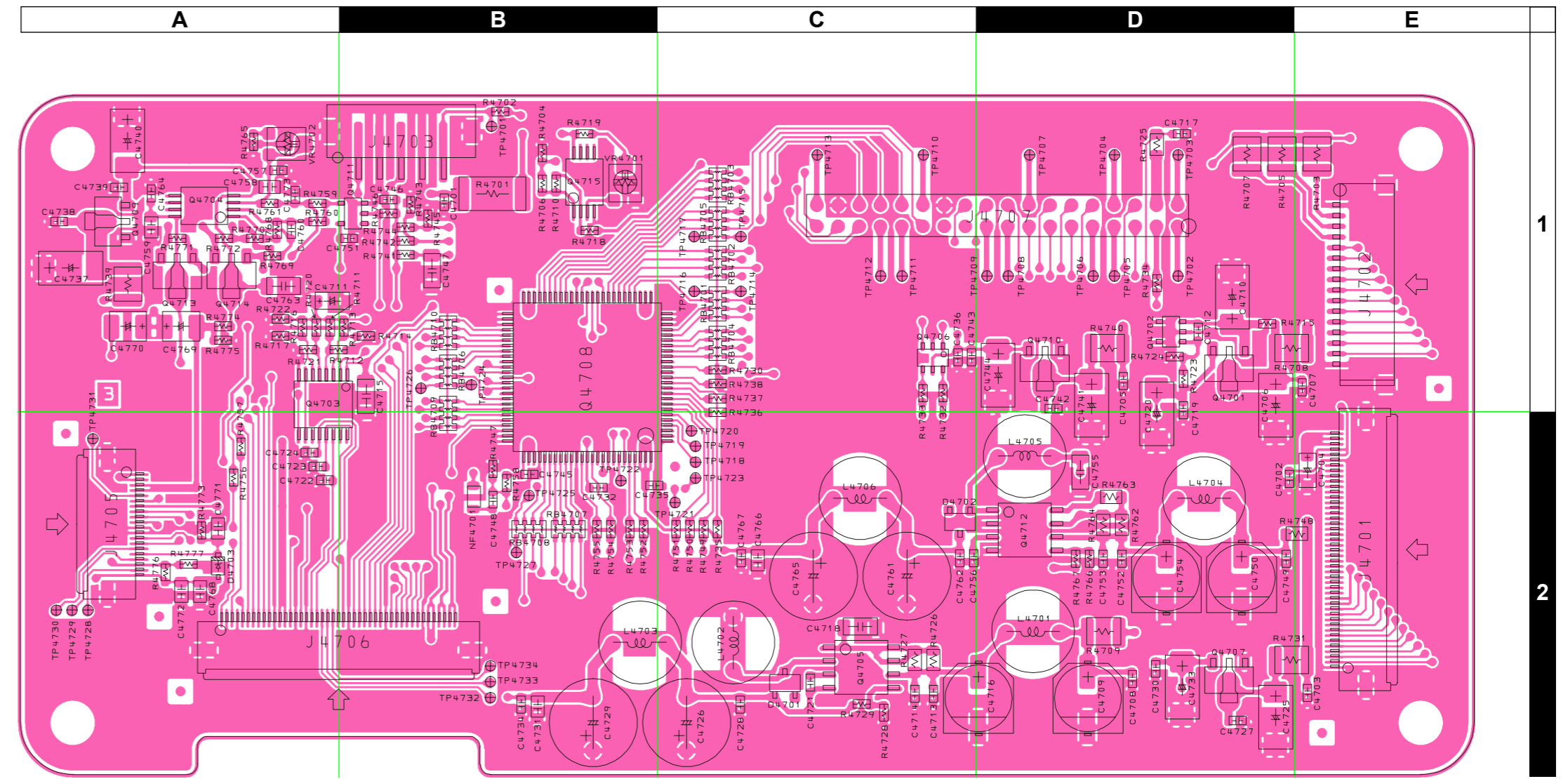
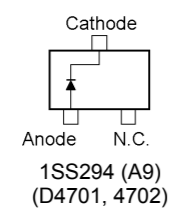
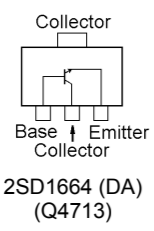
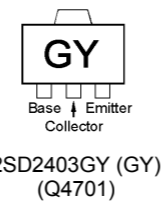
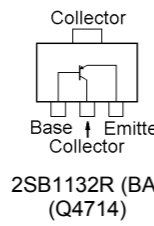
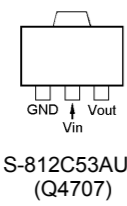
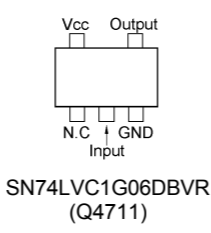
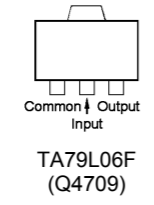
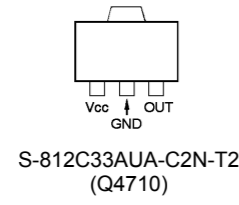
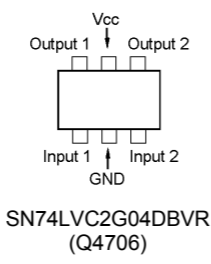
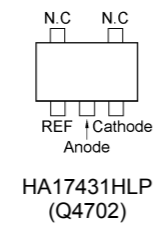
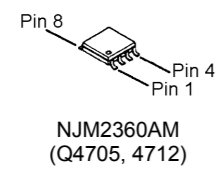
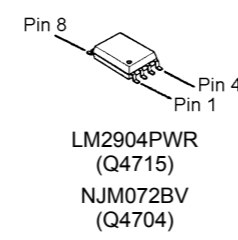
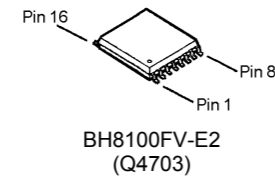
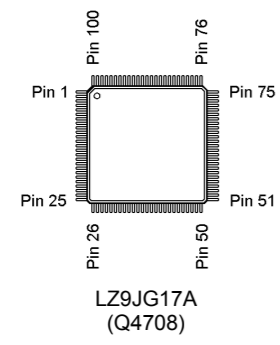
## Parts List

REF	DESCRIPTION	VALUE	V/W	TOL.	MFR'S DESIG	VXSTD P/N	VERS.	LOT	SIDE	LAY ADR
	PCB with Components					CB3136001				
	Printed Circuit Board					FR0128200		1-		
J 4641	CONNECTOR				09FMN-SMT-TF	P1091090		1-		
Q 4641	PHOTO INTERRUPTOR				EE-SX1041	G0090038		1-		
Q 4642	PHOTO INTERRUPTOR				EE-SX1041	G0090038		1-		



*LCD-CNTL Unit (D Type, TFT-9000)*

*Note*



**LCD-CNTL Unit (D Type, TFT-9000)**

*Note*





# LCD-CNTL Unit (D Type, TFT-9000)

## Parts List

REF	DESCRIPTION	VALUE	V/W	TOL.	MFR'S DESIG	VXSTD P/N	VERS.	LOT	SIDE	LAY ADR
J 4701	CONNECTOR				9637S-45-Y905	P1091171		1-	A	E2
J 4702	CONNECTOR				16FMN-SMT-A-TF(LF)(SN)	P1091238		1-	A	E1
J 4703	CONNECTOR				B5B-PH-SM4-TBT(LF)(SN)	P0091371		1-	A	B1
J 4705	CONNECTOR				9637S-20-Y905	P1091199		1-	A	A2
J 4706	CONNECTOR				9637S-45-Y905	P1091171		1-	A	B2
J 4707	CONNECTOR				IMSA 9210B-2-36-GF	P0091407		1-	A	D1
L 4701	M.RFC	3.9mH			RRC875DNP-392K	L1190383		1-	A	D2
L 4702	M.RFC	470uH			RRC875DNP-471K	L1190385		1-	A	C2
L 4703	M.RFC	3.9mH			RRC875DNP-392K	L1190383		1-	A	C2
L 4704	M.RFC	3.9mH			RRC875DNP-392K	L1190383		1-	A	D2
L 4705	M.RFC	470uH			RRC875DNP-471K	L1190385		1-	A	D2
L 4706	M.RFC	3.9mH			RRC875DNP-392K	L1190383		1-	A	C2
NF4701	EMIFILTER				MEM2012T50R0T	Q9000815		1-	A	B2
Q 4701	TRANSISTOR				2SD2403GY-T1	G3424038Y		1-	A	D1
Q 4702	IC				HA17431HLP	G1094059		1-	A	D1
Q 4703	IC				BH8100FV-E2	G1094128		1-	A	A1
Q 4704	IC				NJM072BV(TAPE)	G1094006		1-	A	A1
Q 4705	IC				NJM2360AM-TE1	G1093076		1-	A	C2
Q 4706	IC				SN74LVC2G04DBVR	G1094061		1-	A	C1
Q 4707	IC				S-812C53AUA-C3H-T2G	G1094057		1-	A	D2
Q 4708	IC				LZ9JG17A	G1094005		1-	A	B1
Q 4709	IC				TA79L06F	G1094058		1-	A	A1
Q 4710	IC				S-812C33AUA-C2N-T2G	G1094056		1-	A	D1
Q 4711	IC				SN74LVC1G06DBVR	G1094060		1-	A	B1
Q 4712	IC				NJM2360AM-TE1	G1093076		1-	A	D2
Q 4713	TRANSISTOR				2SD1664 T100 Q	G3416647Q		1-	A	A1
Q 4714	TRANSISTOR				2SB1132 T100 R	G3211327R		1-	A	A1
Q 4715	IC				LM2904PWR	G1094010		1-	A	B1
R 4701	CHIPRES.	4.7	1W	5%	RMC14R7JTE	J24305479		1-	A	B1
R 4702	CHIPRES.	100	1/16W	5%	RMC1/16 101JATP	J24185101		1-	A	B1
R 4703	CHIPRES.	680	1/4W	5%	RMC1/4 681JATP	J24245681		1-	A	E1
R 4704	CHIPRES.	4.7k	1/16W	5%	RMC1/16 472JATP	J24185472		1-	A	B1
R 4705	CHIPRES.	680	1/4W	5%	RMC1/4 681JATP	J24245681		1-	A	D1
R 4706	CHIPRES.	6.8k	1/16W	5%	RMC1/16 682JATP	J24185682		1-	A	B1
R 4707	CHIPRES.	680	1/4W	5%	RMC1/4 681JATP	J24245681		1-	A	D1
R 4708	CHIPRES.	100	1/4W	5%	RMC1/4 101JATP	J24245101		1-	A	D1
R 4709	CHIPRES.	0	1/4W	5%	RMC1/4 000JATP	J24245000		1-	A	D2
R 4710	CHIPRES.	10k	1/16W	5%	RMC1/16 103JATP	J24185103		1-	A	B1
R 4715	CHIPRES.	2.2k	1/16W	5%	RMC1/16 222JATP	J24185222		1-	A	D1
R 4718	CHIPRES.	4.7k	1/16W	5%	RMC1/16 472JATP	J24185472		1-	A	B1
R 4719	CHIPRES.	4.7k	1/16W	5%	RMC1/16 472JATP	J24185472		1-	A	B1
R 4723	CHIPRES.	12k	1/16W	0.5%	RGC1/16C123DTP	J24189402		1-	A	D1
R 4724	CHIPRES.	7.5k	1/16W	0.5%	RGC1/16C752DTP	J24189399		1-	A	D1
R 4725	CHIPRES.	0	1/10W	5%	RMC1/10T 000J	J24205000		1-	A	D1
R 4726	CHIPRES.	1	1/10W	5%	RMC1/10T 1R0J	J24205010		1-	A	C2
R 4727	CHIPRES.	1	1/10W	5%	RMC1/10T 1R0J	J24205010		1-	A	C2
R 4728	CHIPRES.	13k	1/16W	0.5%	RGC1/16C133DTP	J24189403		1-	A	C2
R 4729	CHIPRES.	1k	1/16W	0.5%	RGC1/16C102DTP	J24189398		1-	A	C2
R 4730	CHIPRES.	33	1/16W	5%	RMC1/16 330JATP	J24185330		1-	A	C1
R 4731	CHIPRES.	100	1/4W	5%	RMC1/4 101JATP	J24245101		1-	A	D2
R 4732	CHIPRES.	33	1/16W	5%	RMC1/16 330JATP	J24185330		1-	A	C1
R 4733	CHIPRES.	33	1/16W	5%	RMC1/16 330JATP	J24185330		1-	A	C1
R 4734	CHIPRES.	33	1/16W	5%	RMC1/16 330JATP	J24185330		1-	A	D1
R 4735	CHIPRES.	22k	1/16W	5%	RMC1/16 223JATP	J24185223		1-	A	C2
R 4736	CHIPRES.	22k	1/16W	5%	RMC1/16 223JATP	J24185223		1-	A	C1
R 4737	CHIPRES.	22k	1/16W	5%	RMC1/16 223JATP	J24185223		1-	A	C1
R 4738	CHIPRES.	22k	1/16W	5%	RMC1/16 223JATP	J24185223		1-	A	C1
R 4739	CHIPRES.	100	1/4W	5%	RMC1/4 101JATP	J24245101		1-	A	A1
R 4740	CHIPRES.	100	1/4W	5%	RMC1/4 101JATP	J24245101		1-	A	D1
R 4741	CHIPRES.	100k	1/16W	5%	RMC1/16 104JATP	J24185104		1-	A	B1
R 4742	CHIPRES.	22k	1/16W	5%	RMC1/16 223JATP	J24185223		1-	A	B1
R 4744	CHIPRES.	22k	1/16W	5%	RMC1/16 223JATP	J24185223		1-	A	B1
R 4746	CHIPRES.	10k	1/16W	5%	RMC1/16 103JATP	J24185103		1-	A	B1
R 4747	CHIPRES.	47k	1/16W	5%	RMC1/16 473JATP	J24185473		1-	A	B2
R 4748	CHIPRES.	0	1/10W	5%	RMC1/10T 000J	J24205000		1-	A	E2
R 4749	CHIPRES.	47	1/16W	5%	RMC1/16 470JATP	J24185470		1-	A	C2
R 4750	CHIPRES.	47	1/16W	5%	RMC1/16 470JATP	J24185470		1-	A	C2
R 4751	CHIPRES.	47	1/16W	5%	RMC1/16 470JATP	J24185470		1-	A	C2
R 4752	CHIPRES.	47	1/16W	5%	RMC1/16 470JATP	J24185470		1-	A	B2
R 4753	CHIPRES.	47	1/16W	5%	RMC1/16 470JATP	J24185470		1-	A	B2
R 4754	CHIPRES.	47	1/16W	5%	RMC1/16 470JATP	J24185470		1-	A	B2
R 4755	CHIPRES.	47	1/16W	5%	RMC1/16 470JATP	J24185470		1-	A	B2
R 4756	CHIPRES.	47	1/16W	5%	RMC1/16 470JATP	J24185470		1-	A	A2

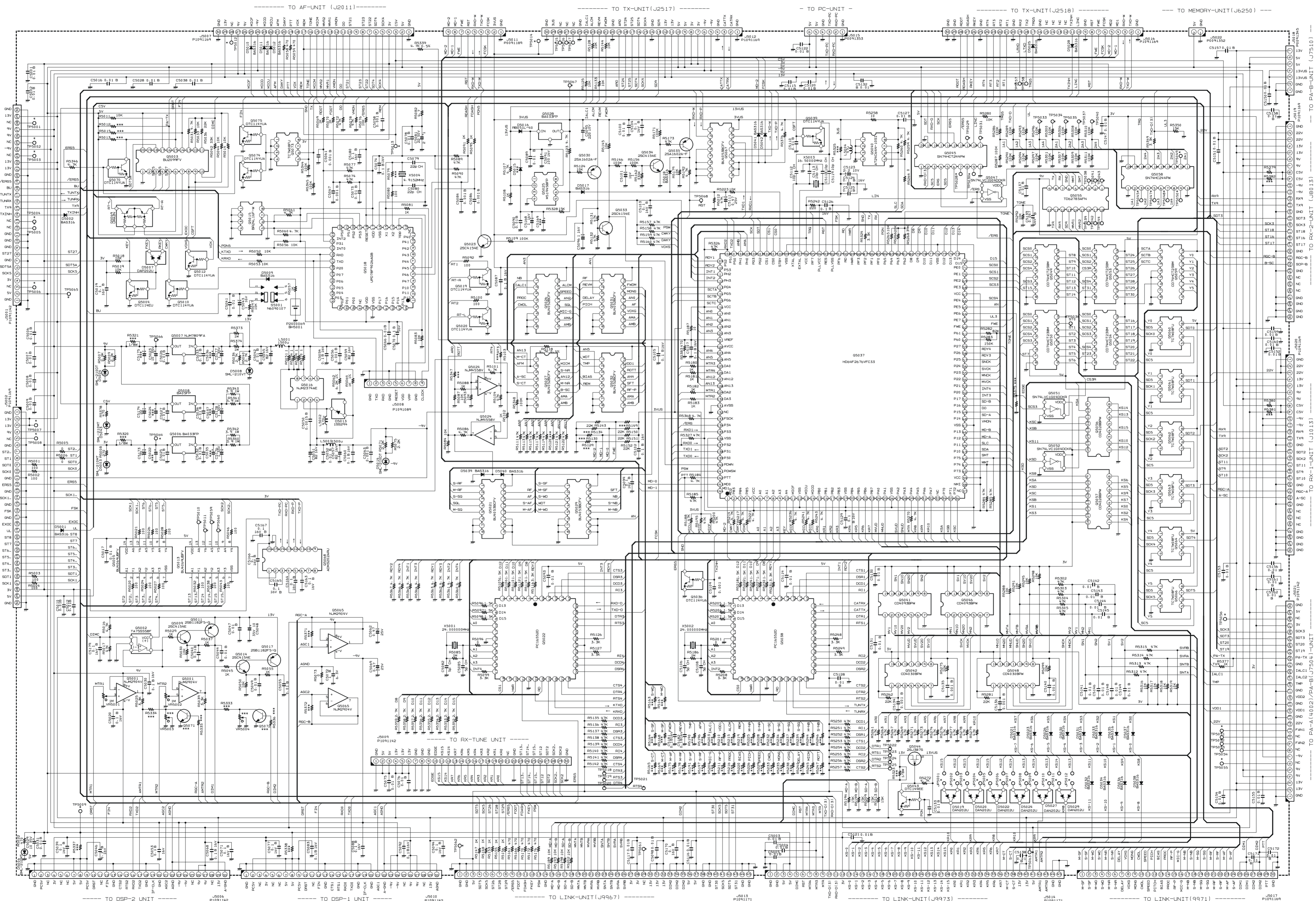
# LCD-CNTL Unit (D Type, TFT-9000)

## Parts List

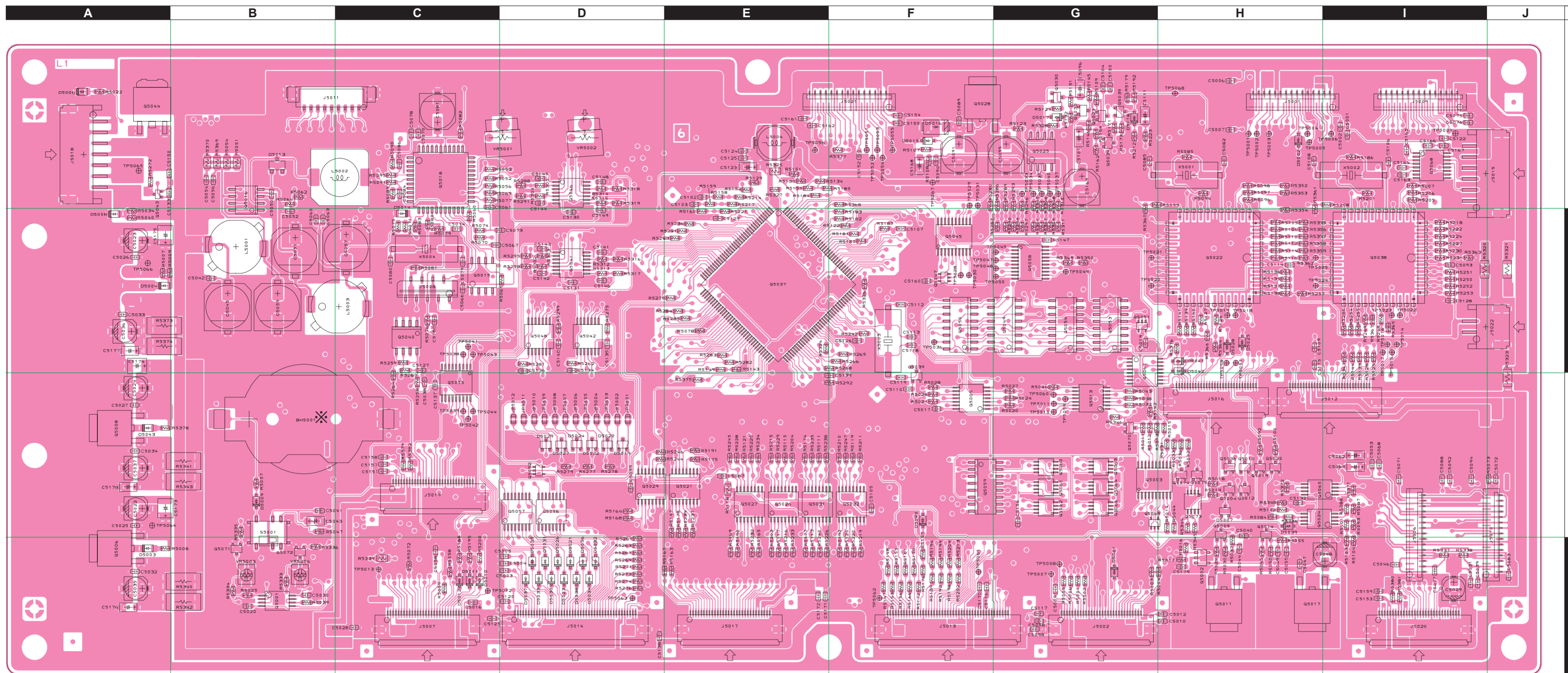
REF	DESCRIPTION	VALUE	V/W	TOL.	MFR'S DESIG	VXSTD P/N	VERS.	LOT	SIDE	LAY ADR
R 4757	CHIPRES.	47	1/16W	5%	RMC1/16 470JATP	J24185470		1-	A	A2
R 4758	CHIPRES.	47k	1/16W	5%	RMC1/16 473JATP	J24185473		1-	A	B2
R 4759	CHIPRES.	1k	1/16W	5%	RMC1/16 102JATP	J24185102		1-	A	A1
R 4760	CHIPRES.	10k	1/16W	0.5%	RGC1/16C103DTP	J24189400		1-	A	A1
R 4761	CHIPRES.	4.7k	1/16W	5%	RMC1/16 472JATP	J24185472		1-	A	A1
R 4762	CHIPRES.	4.7	1/10W	5%	RMC1/10T 4R7J	J24205479		1-	A	D2
R 4763	CHIPRES.	180	1/10W	5%	RMC1/10T 181J	J24205181		1-	A	D2
R 4764	CHIPRES.	4.7	1/10W	5%	RMC1/10T 4R7J	J24205479		1-	A	D2
R 4765	CHIPRES.	1k	1/16W	5%	RMC1/16 102JATP	J24185102		1-	A	A1
R 4766	CHIPRES.	1k	1/16W	0.5%	RGC1/16C102DTP	J24189398		1-	A	D2
R 4767	CHIPRES.	11k	1/16W	0.5%	RGC1/16C113DTP	J24189401		1-	A	D2
R 4768	CHIPRES.	12k	1/16W	0.5%	RGC1/16C123DTP	J24189402		1-	A	A1
R 4769	CHIPRES.	47	1/16W	0.5%	RGC1/16C470DTP	J24189396		1-	A	A1
R 4770	CHIPRES.	750	1/16W	0.5%	RGC1/16C751DTP	J24189397		1-	A	A1
R 4771	CHIPRES.	1k	1/16W	0.5%	RGC1/16C102DTP	J24189398		1-	A	A1
R 4772	CHIPRES.	0	1/16W	5%	RMC1/16 000JATP	J24185000		1-	A	A1
R 4773	CHIPRES.	5.1k	1/16W	5%	RMC1/16 512JATP	J24185512		1-	A	A2
R 4774	CHIPRES.	22k	1/16W	0.5%	RGC1/16C223DTP	J24189405		1-	A	A1
R 4775	CHIPRES.	22k	1/16W	0.5%	RGC1/16C223DTP	J24189405		1-	A	A1
R 4776	CHIPRES.	7.5k	1/16W	0.5%	RGC1/16C752DTP	J24189399		1-	A	A2
R 4777	CHIPRES.	18k	1/16W	0.5%	RGC1/16C183DTP	J24189404		1-	A	A2
RB4701	BLOCK RES.				MNR14E0ABJ330	J42900036		1-	A	C1
RB4702	BLOCK RES.				MNR14E0ABJ330	J42900036		1-	A	C1
RB4703	BLOCK RES.				MNR14E0ABJ330	J42900036		1-	A	C1
RB4704	BLOCK RES.				MNR14E0ABJ330	J42900036		1-	A	C1
RB4705	BLOCK RES.				MNR14E0ABJ330	J42900036		1-	A	C1
RB4706	BLOCK RES.				MNR14E0ABJ470	J42900037		1-	A	B1
RB4707	BLOCK RES.				MNR14E0ABJ470	J42900037		1-	A	B2
RB4708	BLOCK RES.				MNR14E0ABJ470	J42900037		1-	A	B2
RB4709	BLOCK RES.				MNR14E0ABJ470	J42900037		1-	A	B1
RB4710	BLOCK RES.				MNR14E0ABJ470	J42900037		1-	A	B1
VR4701	POT.	10k			EVN-5ESX50B14	J51811103		1-	A	B1
VR4702	POT.	2.2k			EVN-5ESX50BE3	J51811222		1-	A	A1
	PORONSHEET				(PCB-F)	RA0718300		1-		
	LEAD CLAMP				L=55	S5000010		1-		

# *LCD-CNTL Unit (D Type, TFT-9000)*

*Note*

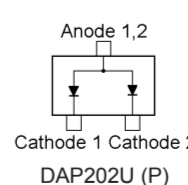
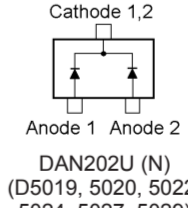
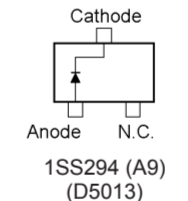
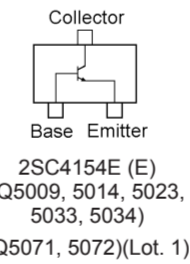
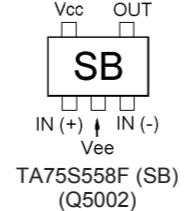
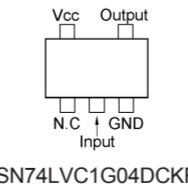
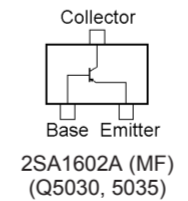
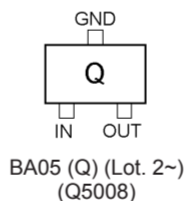
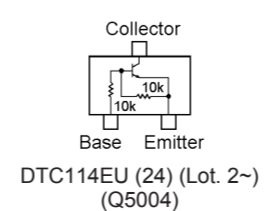
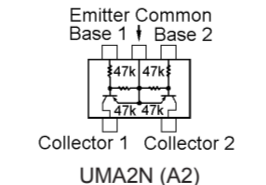
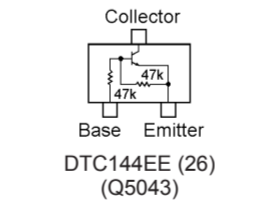
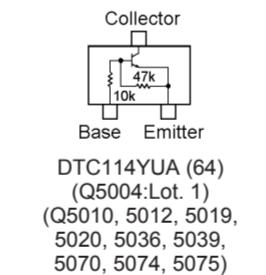
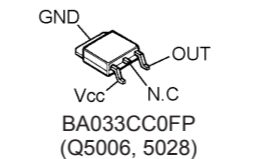
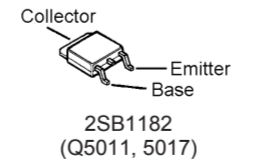
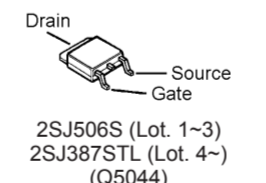
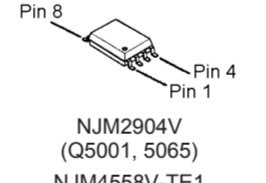
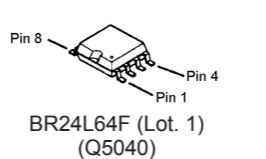
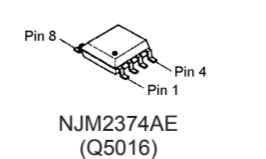
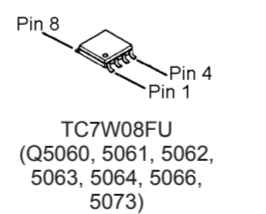
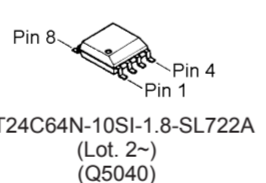
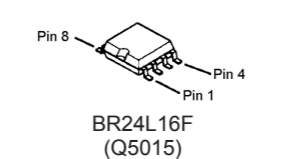
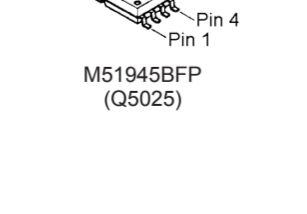
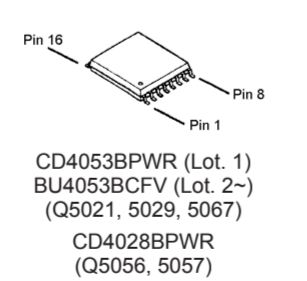
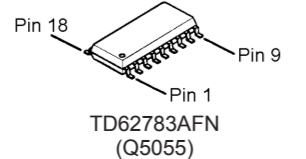
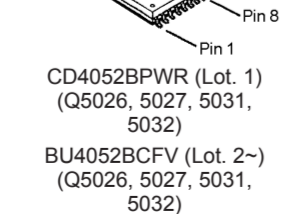
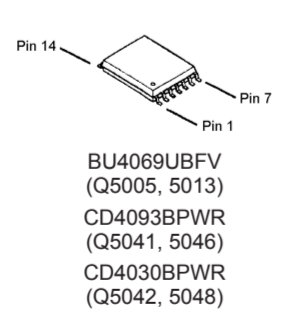
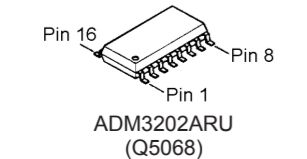
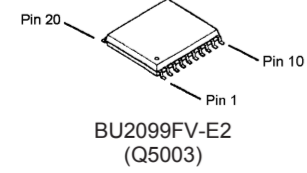
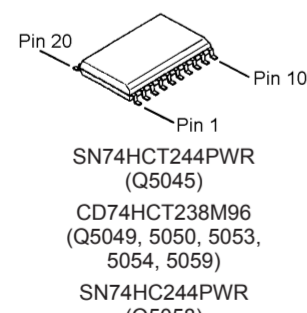
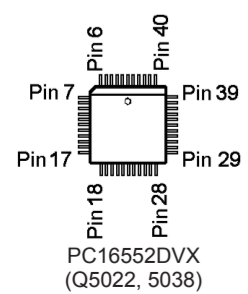
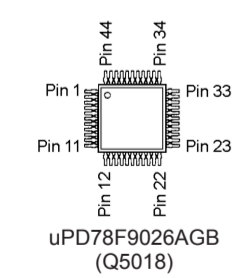
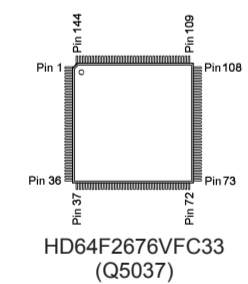


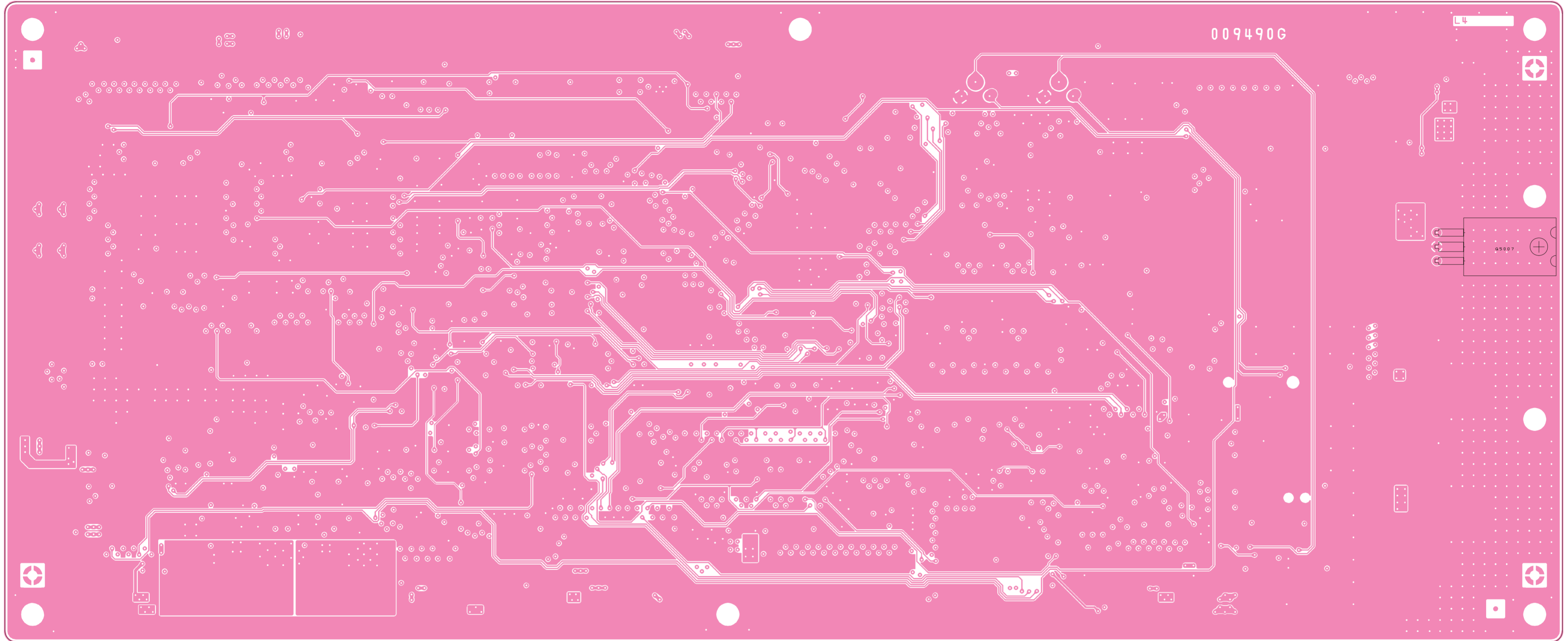




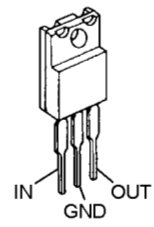
Side A

**⚠ : Caution**  
 Danger of explosion if battery is incorrectly replaced.  
 Replace only with the same or equivalent type.

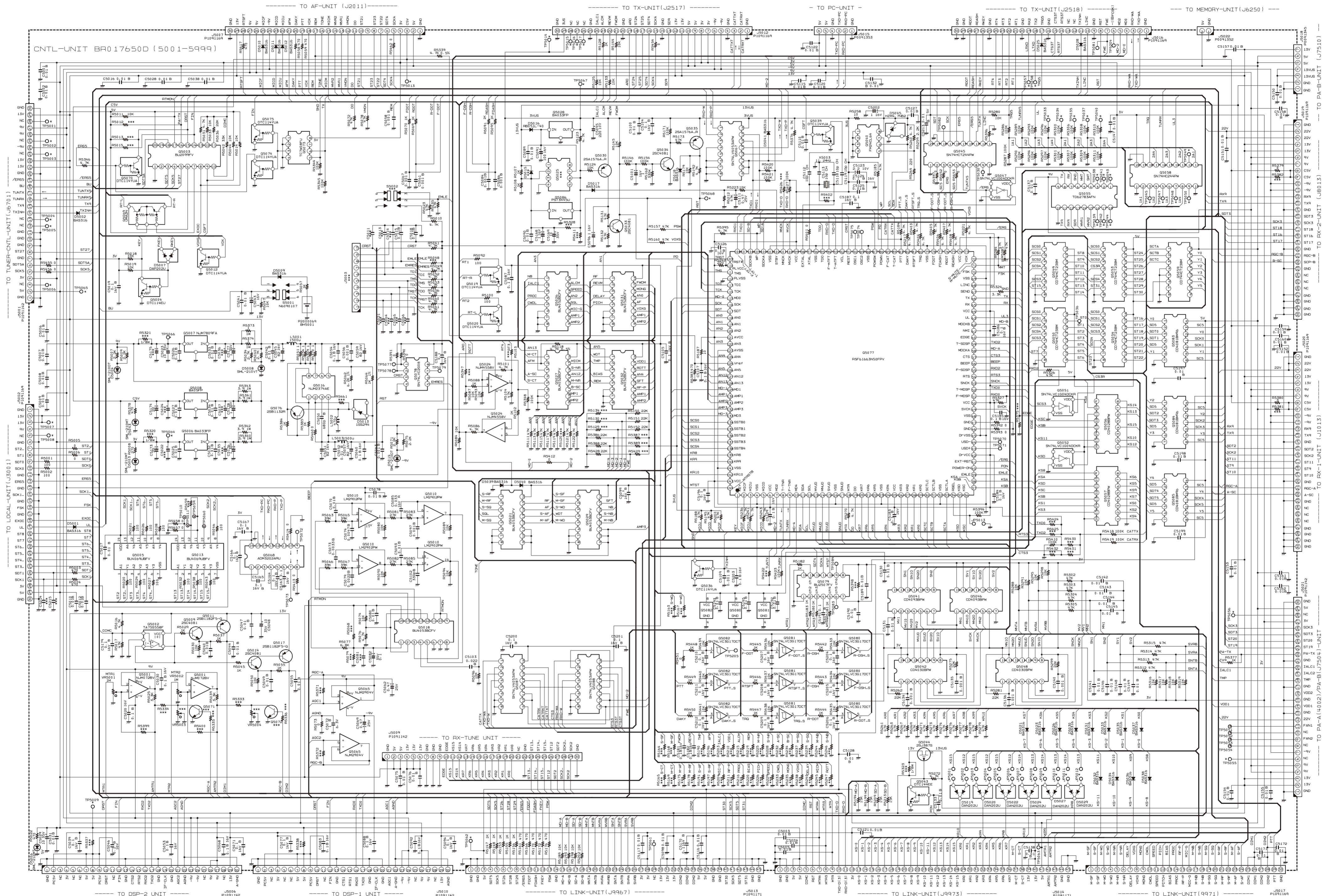




Side B

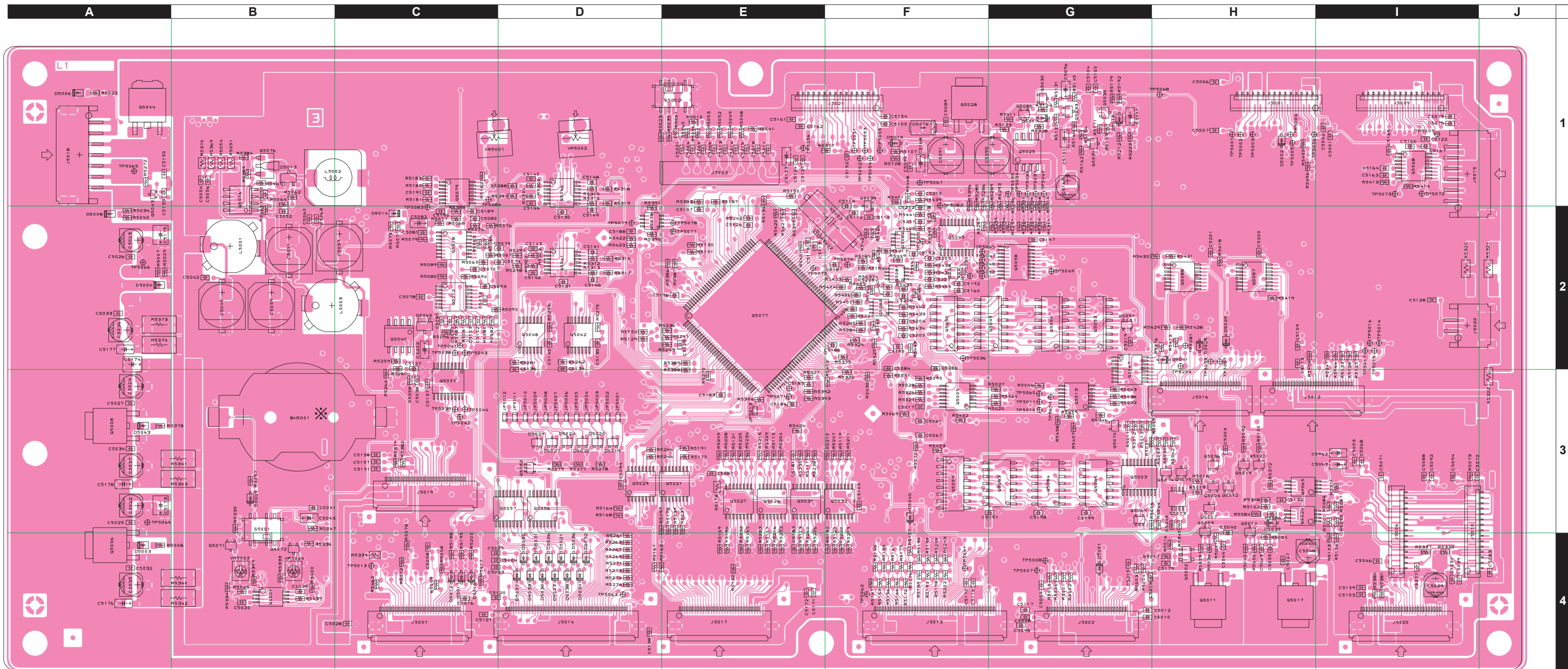


uPC2409AHF (Lot. 1~2)  
NJM7809FA (Lot. 3~)  
(Q5007)

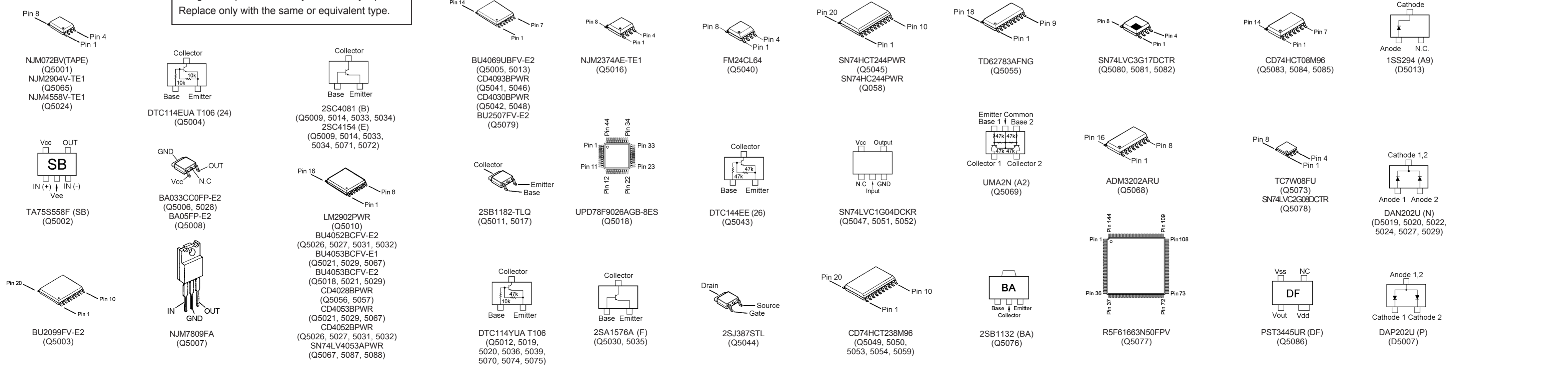




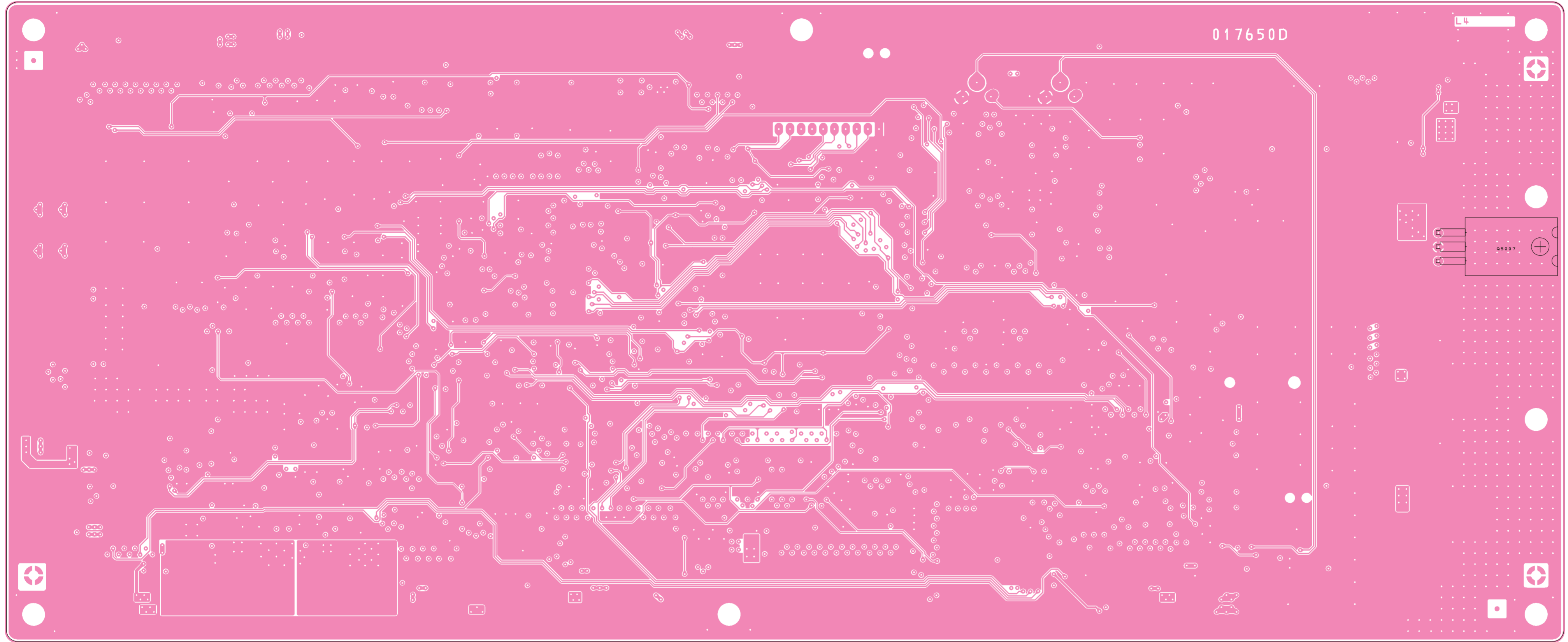




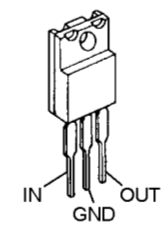
⊗ : Caution  
 Danger of explosion if battery is incorrectly replaced.  
 Replace only with the same or equivalent type.



Side A



Side B



NJM7809FA  
(Q5007)

REF	DESCRIPTION	VALUE	V/W	TOL.	MFR'S DESIG	VXSTD P/N	VERS.	LOT	SIDE	LAY ADR
	PCB with Components	200W UMBER, W/O DUAL RX, USA, W/O MEMORY				CB2365004				
		200W UMBER, W/O DUAL RX EXP, W/O MEMORY				CB2365005				
		200W UMBER, W/O DUAL RX EU, W/O MEMORY				CB2365006				
		200W UMBER, W/O DUAL RX UK, W/O MEMORY				CB2365007				
		200W UMBER, W/O DUAL RX FRA, W/O MEMORY				CB2365008				
		200W UMBER, W/O DUAL RX FRG, W/O MEMORY				CB2365009				
		200W UMBER, W/O DUAL RX AUS, W/O MEMORY				CB2365010				
		200W BLUE, W/O DUAL RX, USA, W/O MEMORY				CB2365012				
		200W BLUE, W/O DUAL RX, EXP, W/O MEMORY				CB2365013				
		200W BLUE, W/O DUAL RX, EU, W/O MEMORY				CB2365014				
		200W BLUE, W/O DUAL RX, UK, W/O MEMORY				CB2365015				
		200W BLUE, W/O DUAL RX, FRA, W/O MEMORY				CB2365016				
		200W BLUE, W/O DUAL RX, FRG, W/O MEMORY				CB2365017				
		200W BLUE, W/O DUAL RX, AUS, W/O MEMORY				CB2365018				
		200W UMBER, W/ DUAL RX, USA, W/ MEMORY				CB2365020				
		200W UMBER, W/ DUAL RX, EXP, W/ MEMORY				CB2365021				
		200W UMBER, W/ DUAL RX, EU, W/ MEMORY				CB2365022				
		200W UMBER, W/ DUAL RX, UK, W/ MEMORY				CB2365023				
		200W UMBER, W/ DUAL RX, FRA, W/ MEMORY				CB2365024				
		200W UMBER, W/ DUAL RX, FRG, W/ MEMORY				CB2365025				
		200W UMBER, W/ DUAL RX, AUS, W/ MEMORY				CB2365026				
		200W BLUE, W/ DUAL RX, USA, W/ MEMORY				CB2365028				
		200W BLUE, W/ DUAL RX, EXP, W/ MEMORY				CB2365029				
		200W BLUE, W/ DUAL RX, EU W/ MEMORY				CB2365030				
		200W BLUE, W/ DUAL RX, UK W/ MEMORY				CB2365031				
		200W BLUE, W/ DUAL RX, FRA, W/ MEMORY				CB2365032				
		200W BLUE, W/ DUAL RX, FRG, W/ MEMORY				CB2365033				
		200W BLUE, W/ DUAL RX, AUS, W/ MEMORY				CB2365034				
		400W UMBER, W/ DUAL RX, USA, W/ MEMORY				CB2365036				
		400W UMBER, W/ DUAL RX, EXP, W/ MEMORY				CB2365037				
		400W UMBER, W/ DUAL RX, EU, W/ MEMORY				CB2365038				
		400W UMBER, W/ DUAL RX, UK, W/ MEMORY				CB2365039				
		400W UMBER, W/ DUAL RX, FRA, W/ MEMORY				CB2365040				
		400W UMBER, W/ DUAL RX, FRG, W/ MEMORY				CB2365041				
		400W UMBER, W/ DUAL RX, AUS, W/ MEMORY				CB2365042				
		400W BLUE, W/ DUAL RX, USA, W/ MEMORY				CB2365044				
		400W BLUE, W/ DUAL RX, EXP, W/ MEMORY				CB2365045				
		400W BLUE, W/ DUAL RX, EU, W/ MEMORY				CB2365046				
		400W BLUE, W/ DUAL RX, UK, W/ MEMORY				CB2365047				
		400W BLUE, W/ DUAL RX, FRA, W/ MEMORY				CB2365048				
		400W BLUE, W/ DUAL RX, FRG, W/ MEMORY				CB2365049				
		400W BLUE, W/ DUAL RX, AUS, W/ MEMORY				CB2365050				
	Printed Circuit Board					FR009490E		1		
						FR009490F		2-		
						FR009490G		4-		
						FR017650D		30-		
BH5001	BATT.HOLDER				20H-1T	P2000069		1-	A	B3
BT5001	LITHIUMBATT.		3V		CR2032	Q9000564		1-		
C 5001	CHIP CAP.	0.01uF	50V	B	GRM188B11H103KA01D	K22174823		1-	A	I1
C 5002	CHIP CAP.	0.01uF	50V	B	GRM188B11H103KA01D	K22174823		1-	A	I1
C 5003	CHIP CAP.	0.01uF	50V	B	GRM188B11H103KA01D	K22174823		1-	A	D4
C 5004	CHIP CAP.	0.01uF	50V	B	GRM188B11H103KA01D	K22174823		1-	A	D4
C 5005	CHIP CAP.	0.01uF	50V	B	GRM188B11H103KA01D	K22174823		1-	A	D4
C 5006	CHIP CAP.	0.01uF	50V	B	GRM188B11H103KA01D	K22174823		1-	A	H1
C 5007	CHIP CAP.	0.01uF	50V	B	GRM188B11H103KA01D	K22174823		1-	A	H1
C 5008	CHIP CAP.	0.01uF	50V	B	GRM188B11H103KA01D	K22174823		1-	A	G4
C 5009	CHIP CAP.	0.01uF	50V	B	GRM188B11H103KA01D	K22174823		1-	A	G4
C 5010	CHIP CAP.	0.01uF	50V	B	GRM188B11H103KA01D	K22174823		1-	A	H4
C 5012	CHIP CAP.	0.01uF	50V	B	GRM188B11H103KA01D	K22174823		1-	A	H4
C 5015	CHIP CAP.	0.01uF	50V	B	GRM188B11H103KA01D	K22174823		30-	A	E1
C 5016	CHIP CAP.	0.01uF	50V	B	GRM188B11H103KA01D	K22174823		1-	A	C4
C 5017	CHIP CAP.	0.01uF	50V	B	GRM188B11H103KA01D	K22174823		1-	A	F3
C 5018	CHIP CAP.	0.01uF	50V	B	GRM188B11H103KA01D	K22174823		30-	A	E1
C 5019	CHIP CAP.	0.1uF	16V	B	GRM188B11C104KA01D	K22124805		1-	A	G2
C 5020	CHIP CAP.	0.1uF	16V	B	GRM188B11C104KA01D	K22124805		1-	A	B4
C 5023	AL.ELECTRO.CAP.	10uF	35V		ECEV1VA100WR	K48160004		1-	A	A2
C 5023	AL.ELECTRO.CAP.	10uF	35V		EEE1VA100WR	K48160006		9-	A	A2
C 5025	CHIP CAP.	0.01uF	50V	B	GRM188B11H103KA01D	K22174823		1-	A	A3
C 5026	CHIP CAP.	0.01uF	50V	B	GRM188B11H103KA01D	K22174823		1-	A	A2
C 5027	CHIP CAP.	0.01uF	50V	B	GRM188B11H103KA01D	K22174823		1-	A	A3
C 5028	CHIP CAP.	0.01uF	50V	B	GRM188B11H103KA01D	K22174823		1-	A	C4
C 5029	AL.ELECTRO.CAP.	10uF	35V		ECEV1VA100WR	K48160004		1-	A	I4
C 5029	AL.ELECTRO.CAP.	10uF	35V		EEE1VA100WR	K48160006		9-	A	I4

# CNTL Unit

## Parts List

REF	DESCRIPTION	VALUE	V/W	TOL.	MFR'S DESIG	VXSTD P/N	VERS.	LOT	SIDE	LAY ADR
C 5030	CHIP CAP.	0.1uF	16V	B	GRM188B11C104KA01D	K22124805		1-	A	B4
C 5031	CHIP CAP.	0.01uF	50V	B	GRM188B11H103KA01D	K22174823		1-	A	I4
C 5032	CHIP CAP.	0.01uF	50V	B	GRM188B11H103KA01D	K22174823		1-	A	A4
C 5033	CHIP CAP.	0.01uF	50V	B	GRM188B11H103KA01D	K22174823		1-	A	A2
C 5034	CHIP CAP.	0.01uF	50V	B	GRM188B11H103KA01D	K22174823		1-	A	A3
C 5038	CHIP CAP.	0.01uF	50V	B	GRM188B11H103KA01D	K22174823		1-	A	C3
C 5039	CHIP CAP.	0.1uF	16V	B	GRM188B11C104KA01D	K22124805		1-	A	I4
C 5040	CHIP CAP.	0.01uF	50V	B	GRM188B11H103KA01D	K22174823		1-	A	H3
C 5041	CHIP CAP.	0.01uF	50V	B	GRM188B11H103KA01D	K22174823		1-	A	B3
C 5042	CHIP CAP.	0.01uF	50V	B	GRM188B11H103KA01D	K22174823		1-	A	B2
C 5043	CHIP TA.CAP.	1uF	16V		TEESVA1C105M8R	K78120009		1-	A	B3
C 5044	CHIP CAP.	0.01uF	50V	B	GRM188B11H103KA01D	K22174823		1-	A	H4
C 5045	AL.ELECTRO.CAP.	82uF	16V		APXA160ARA820MH70G	K48120022		1-	A	B2
C 5046	CHIP CAP.	0.1uF	16V	B	GRM188B11C104KA01D	K22124805		1-	A	I4
C 5047	CHIP CAP.	0.01uF	50V	B	GRM188B11H103KA01D	K22174823		1-	A	H4
C 5048	AL.ELECTRO.CAP.	10uF	35V		ECEV1VA100WR	K48160004		1-	A	I4
C 5048	AL.ELECTRO.CAP.	10uF	35V		EEE1VA100WR	K48160006		9-	A	I4
C 5049	CHIP CAP.	0.01uF	50V	B	GRM188B11H103KA01D	K22174823		1-	A	H4
C 5050	CHIP CAP.	0.0015uF	50V	B	GRM188B11H152KA01D	K22174827		1-	A	B1
C 5050	CHIP CAP.	680pF	50V	B	GRM188B11H681KA01D	K22174807		30-	A	B1
C 5051	AL.ELECTRO.CAP.	82uF	16V		APXA160ARA820MH70G	K48120022		1-	A	B2
C 5052	CHIP CAP.	0.01uF	50V	B	GRM188B11H103KA01D	K22174823		1-	A	B2
C 5053	CHIP CAP.	0.1uF	16V	B	GRM188B11C104KA01D	K22124805		1-	A	I3
C 5054	CHIP CAP.	0.1uF	16V	B	GRM188B11C104KA01D	K22124805		1-	A	B1
C 5055	CHIP CAP.	0.01uF	50V	B	GRM188B11H103KA01D	K22174823		1-	A	H4
C 5056	CHIP CAP.	0.001uF	50V	B	GRM188B11H102KA01D	K22174821		1-	A	B1
C 5057	AL.ELECTRO.CAP.	82uF	16V		APXA160ARA820MH70G	K48120022		1-	A	C2
C 5058	CHIP CAP.	0.001uF	50V	B	GRM188B11H102KA01D	K22174821		1-	A	C4
C 5059	AL.ELECTRO.CAP.	82uF	16V		APXA160ARA820MH70G	K48120022		1-	A	B2
C 5060	CHIP CAP.	0.1uF	16V	B	GRM188B11C104KA01D	K22124805		1-	A	B2
C 5061	CHIP CAP.	0.001uF	50V	B	GRM188B11H102KA01D	K22174821		1-	A	F3
C 5062	CHIP TA.CAP.	0.47uF	25V		TEESVA1E474M8R	K78140009		1-	A	I3
C 5063	CHIP CAP.	0.001uF	50V	B	GRM188B11H102KA01D	K22174821		1-	A	B2
C 5064	CHIP CAP.	0.1uF	25V	B	GRM21BB11E104KA01L	K22140811		1	A	E1
C 5065	CHIP CAP.	0.1uF	25V	B	GRM21BB11E104KA01L	K22140811		1	A	E1
C 5066	CHIP CAP.	0.01uF	50V	B	GRM188B11H103KA01D	K22174823		1-29	A	C2
C 5067	CHIP CAP.	0.001uF	50V	B	GRM188B11H102KA01D	K22174821		1-	A	F3
C 5068	CHIP CAP.	0.1uF	16V	B	GRM188B11C104KA01D	K22124805		1-	A	I3
C 5069	CHIP TA.CAP.	0.47uF	25V		TEESVA1E474M8R	K78140009		1-	A	I3
C 5070	CHIP CAP.	0.1uF	16V	B	GRM188B11C104KA01D	K22124805		1-	A	C1
C 5070	CHIP CAP.	0.01uF	50V	B	GRM188B11H103KA01D	K22174823		30-	A	C1
C 5071	CHIP CAP.	0.1uF	16V	B	GRM188B11C104KA01D	K22124805		1-	A	I3
C 5072	CHIP CAP.	1uF	6.3V	B	GRM188B10J105KA01D	K22084801		1-	A	J3
C 5073	CHIP CAP.	0.01uF	50V	B	GRM188B11H103KA01D	K22174823		1-	A	C2
C 5073	CHIP CAP.	0.0033uF	50V	B	GRM188B11H332KA01D	K22174831		30-	A	C2
C 5074	CHIP CAP.	0.1uF	16V	B	GRM188B11C104KA01D	K22124805		1-	A	D2
C 5074	CHIP CAP.	0.0047uF	50V	B	GRM188B11H472KA01D	K22174833		30-	A	D2
C 5075	CHIP CAP.	0.01uF	50V	B	GRM188B11H103KA01D	K22174823		1-	A	I1
C 5076	CHIP CAP.	0.01uF	50V	B	GRM188B11H103KA01D	K22174823		1-	A	I1
C 5077	CHIP CAP.	0.1uF	16V	B	GRM188B11C104KA01D	K22124805		1-	A	I4
C 5078	CHIP CAP.	0.01uF	50V	B	GRM188B11H103KA01D	K22174823		1-	A	C2
C 5079	CHIP CAP.	22pF	50V	CH	GRM1882C1H220JA01D	K22174219		1-	A	D2
C 5079	CHIP CAP.	0.0022uF	50V	B	GRM188B11H222KA01D	K22174822		30-	A	D2
C 5080	CHIP CAP.	22pF	50V	CH	GRM1882C1H220JA01D	K22174219		1-	A	C2
C 5080	CHIP CAP.	0.01uF	50V	B	GRM188B11H103KA01D	K22174823		30-	A	C2
C 5081	AL.ELECTRO.CAP.	22uF	50V		ECEV1HA220WVP	K48170018		1-	A	C1
C 5081	AL.ELECTRO.CAP.	22uF	50V		EEE1HA220WVP	K48170026		9-29	A	C1
C 5082	CHIP CAP.	5pF	50V	CH	GRM1882C1H5R0CZ01D	K22174206		1-	A	C2
C 5082	CHIP TA.CAP.	0.1uF	35V		TEESVA1V104M8R	K78160025		30-	A	C2
C 5083	CHIP CAP.	0.1uF	16V	B	GRM188B11C104KA01D	K22124805		1-	A	J4
C 5084	CHIP CAP.	0.001uF	50V	B	GRM188B11H102KA01D	K22174821		1-	A	C1
C 5085	CHIP CAP.	5pF	50V	CH	GRM1882C1H5R0CZ01D	K22174206		1-	A	G1
C 5085	CHIP CAP.	0.033uF	16V	R	GRM188R11C333KA01D	K22124801		30-	A	G1
C 5086	CHIP CAP.	0.001uF	50V	B	GRM188B11H102KA01D	K22174821		1-	A	C1
C 5087	CHIP CAP.	0.1uF	16V	B	GRM188B11C104KA01D	K22124805		1-	A	E3
C 5088	CHIP CAP.	0.1uF	16V	B	GRM188B11C104KA01D	K22124805		1-	A	I3
C 5089	CHIP CAP.	0.01uF	50V	B	GRM188B11H103KA01D	K22174823		1-	A	F1
C 5090	CHIP CAP.	0.01uF	50V	B	GRM188B11H103KA01D	K22174823		1-	A	F1
C 5091	AL.ELECTRO.CAP.	100uF	16V		EEE1CA101WVP	K48120012		1-	A	F1
C 5092	CHIP CAP.	0.1uF	16V	B	GRM188B11C104KA01D	K22124805		1-	A	I3
C 5093	CHIP CAP.	0.01uF	50V	B	GRM188B11H103KA01D	K22174823		1-	A	I2
C 5094	CHIP CAP.	0.1uF	16V	B	GRM188B11C104KA01D	K22124805		1-	A	I3
C 5095	AL.ELECTRO.CAP.	220uF	10V		EEE1AA221XP	K48100007		1-	A	G1

## Parts List

REF	DESCRIPTION	VALUE	V/W	TOL.	MFR'S DESIG	VXSTD P/N	VERS.	LOT	SIDE	LAY ADR
C 5096	CHIP TA.CAP.	1uF	16V		TEESVA1C105M8R	K78120009		1-	A	G1
C 5097	CHIP CAP.	0.001uF	50V	B	GRM188B11H102KA01D	K22174821		30-	A	C2
C 5098	CHIP CAP.	0.01uF	50V	B	GRM188B11H103KA01D	K22174823		1-	A	G4
C 5099	CHIP CAP.	0.1uF	16V	B	GRM188B11C104KA01D	K22124805		1-	A	D3
C 5100	CHIP CAP.	0.01uF	50V	B	GRM188B11H103KA01D	K22174823		1-	A	G1
C 5101	CHIP TA.CAP.	1uF	16V		TEESVA1C105M8R	K78120009		1-	A	G1
C 5102	CHIP CAP.	0.1uF	16V	B	GRM188B11C104KA01D	K22124805		1-	A	C2
C 5102	CHIP CAP.	330pF	50V	B	GRM188B11H331KD01D	K22174803		30-	A	C2
C 5103	CHIP CAP.	0.1uF	16V	B	GRM188B11C104KA01D	K22124805		1-	A	C2
C 5103	CHIP CAP.	0.022uF	50V	B	GRM188B11H223KA01D	K22174839		30-	A	C2
C 5104	CHIP CAP.	0.1uF	16V	B	GRM188B11C104KA01D	K22124805		1-	A	G1
C 5105	CHIP CAP.	0.1uF	16V	B	GRM188B11C104KA01D	K22124805		1-	A	F3
C 5106	CHIP CAP.	5pF	50V	CH	GRM1882C1H5R0CZ01D	K22174206		1-29	A	I1
C 5107	CHIP CAP.	0.1uF	16V	B	GRM188B11C104KA01D	K22124805		1-	A	E2
C 5108	CHIP CAP.	5pF	50V	CH	GRM1882C1H5R0CZ01D	K22174206		1-29	A	H1
C 5109	CHIP CAP.	0.001uF	50V	B	GRM188B11H102KA01D	K22174821		1-	A	H2
C 5110	CHIP CAP.	0.01uF	50V	B	GRM188B11H103KA01D	K22174823		1-	A	F3
C 5111	CHIP TA.CAP.	0.47uF	25V		TEESVA1E474M8R	K78140009		1-	A	G1
C 5112	CHIP CAP.	10pF	50V	CH	GRM1882C1H100JA01D	K22174211		1-	A	F2
C 5113	CHIP CAP.	10pF	50V	CH	GRM1882C1H100JA01D	K22174211		1-	A	E2
C 5114	CHIP CAP.	0.01uF	50V	B	GRM188B11H103KA01D	K22174823		1-29	A	H2
C 5115	CHIP CAP.	0.01uF	50V	B	GRM188B11H103KA01D	K22174823		1-	A	H2
C 5116	CHIP CAP.	0.01uF	50V	B	GRM188B11H103KA01D	K22174823		1-	A	F4
C 5117	CHIP CAP.	0.01uF	50V	B	GRM188B11H103KA01D	K22174823		1-	A	G4
C 5118	CHIP CAP.	10pF	50V	CH	GRM1882C1H100JA01D	K22174211		1-	A	E2
C 5119	CHIP CAP.	10pF	50V	CH	GRM1882C1H100JA01D	K22174211		1-	A	F3
C 5120	CHIP CAP.	0.01uF	50V	B	GRM188B11H103KA01D	K22174823		1-	A	D4
C 5121	CHIP CAP.	0.01uF	50V	B	GRM188B11H103KA01D	K22174823		1-	A	C4
C 5122	CHIP CAP.	0.01uF	50V	B	GRM188B11H103KA01D	K22174823		1-	A	I1
C 5123	CHIP TA.CAP.	2.2uF	10V		TEESVA1A225M8R	K78100021		1-	A	E1
C 5124	CHIP CAP.	0.1uF	16V	B	GRM188B11C104KA01D	K22124805		1-	A	E1
C 5125	CHIP CAP.	0.01uF	50V	B	GRM188B11H103KA01D	K22174823		1-	A	E1
C 5126	CHIP CAP.	0.1uF	16V	B	GRM188B11C104KA01D	K22124805		1-	A	F2
C 5127	CHIP CAP.	0.01uF	50V	B	GRM188B11H103KA01D	K22174823		1-	A	C2
C 5128	CHIP CAP.	0.01uF	50V	B	GRM188B11H103KA01D	K22174823		1-	A	I2
C 5129	CHIP CAP.	0.1uF	16V	B	GRM188B11C104KA01D	K22124805		1-	A	E2
C 5130	CHIP CAP.	0.01uF	50V	B	GRM188B11H103KA01D	K22174823		1-	A	D2
C 5131	CHIP CAP.	0.01uF	50V	B	GRM188B11H103KA01D	K22174823		1-	A	D2
C 5132	CHIP CAP.	0.01uF	50V	B	GRM188B11H103KA01D	K22174823		1-	A	H3
C 5133	CHIP CAP.	0.01uF	50V	B	GRM188B11H103KA01D	K22174823		1-	A	A1
C 5134	CHIP CAP.	0.001uF	50V	B	GRM188B11H102KA01D	K22174809		1-	A	D2
C 5134	CHIP CAP.	0.001uF	50V	B	GRM188B11H102KA01D	K22174821		30-	A	D2
C 5135	CHIP CAP.	0.001uF	50V	B	GRM188B11H102KA01D	K22174809		1-	A	D2
C 5135	CHIP CAP.	0.001uF	50V	B	GRM188B11H102KA01D	K22174821		30-	A	D2
C 5136	CHIP CAP.	0.001uF	50V	B	GRM188B11H102KA01D	K22174809		1-	A	D2
C 5136	CHIP CAP.	0.001uF	50V	B	GRM188B11H102KA01D	K22174821		30-	A	D2
C 5137	CHIP CAP.	0.01uF	50V	B	GRM188B11H103KA01D	K22174823		1-	A	C3
C 5138	CHIP CAP.	0.01uF	50V	B	GRM188B11H103KA01D	K22174823		1-	A	D4
C 5139	CHIP CAP.	0.047uF	16V	B	GRM39B473K16PT	K22124804		1-	A	F3
C 5139	CHIP CAP.	0.047uF	25V	B	GRM188B11E473KA01D	K22144811		27-	29A	F3
C 5140	CHIP CAP.	0.001uF	50V	B	GRM188B11H102KA01D	K22174809		1-	A	D2
C 5140	CHIP CAP.	0.001uF	50V	B	GRM188B11H102KA01D	K22174821		30-	A	D2
C 5141	CHIP CAP.	0.01uF	50V	B	GRM188B11H103KA01D	K22174823		1-	A	D2
C 5142	CHIP CAP.	0.01uF	50V	B	GRM188B11H103KA01D	K22174823		1-	A	D2
C 5143	CHIP CAP.	0.01uF	50V	B	GRM188B11H103KA01D	K22174823		1-	A	D2
C 5144	CHIP CAP.	0.01uF	50V	B	GRM188B11H103KA01D	K22174823		1-	A	D1
C 5145	CHIP CAP.	0.01uF	50V	B	GRM188B11H103KA01D	K22174823		1-	A	D1
C 5146	CHIP CAP.	0.01uF	50V	B	GRM188B11H103KA01D	K22174823		1-	A	D2
C 5147	CHIP CAP.	0.01uF	50V	B	GRM188B11H103KA01D	K22174823		1-	A	G2
C 5148	CHIP CAP.	0.01uF	50V	B	GRM188B11H103KA01D	K22174823		1-	A	D1
C 5149	CHIP CAP.	0.01uF	50V	B	GRM188B11H103KA01D	K22174823		1-	A	D2
C 5150	CHIP CAP.	0.01uF	50V	B	GRM188B11H103KA01D	K22174823		1-	A	A1
C 5151	CHIP CAP.	0.01uF	50V	B	GRM188B11H103KA01D	K22174823		1-	A	C3
C 5152	CHIP CAP.	0.01uF	50V	B	GRM188B11H103KA01D	K22174823		1-	A	F1
C 5153	CHIP CAP.	0.01uF	50V	B	GRM188B11H103KA01D	K22174823		1-	A	I4
C 5154	CHIP CAP.	0.01uF	50V	B	GRM188B11H103KA01D	K22174823		1-	A	F1
C 5155	CHIP CAP.	0.01uF	50V	B	GRM188B11H103KA01D	K22174823		1-	A	F1
C 5156	CHIP CAP.	0.01uF	50V	B	GRM188B11H103KA01D	K22174823		1-29	A	G3
C 5157	CHIP CAP.	0.01uF	50V	B	GRM188B11H103KA01D	K22174823		1-	A	C3
C 5158	CHIP CAP.	0.01uF	50V	B	GRM188B11H103KA01D	K22174823		1-	A	C3
C 5159	CHIP CAP.	0.01uF	50V	B	GRM188B11H103KA01D	K22174823		1-	A	I4
C 5160	CHIP CAP.	0.01uF	50V	B	GRM188B11H103KA01D	K22174823		1-	A	F2
C 5161	CHIP CAP.	0.01uF	50V	B	GRM188B11H103KA01D	K22174823		1-	A	E1

# CNTL Unit

## Parts List

REF	DESCRIPTION	VALUE	V/W	TOL.	MFR'S DESIG	VXSTD P/N	VERS.	LOT	SIDE	LAY ADR
C 5162	CHIP CAP.	0.01uF	50V	B	GRM188B11H103KA01D	K22174823		1-	A	E1
C 5163	CHIP CAP.	0.1uF	16V	B	GRM188B11C104KA01D	K22124805		1-	A	I1
C 5164	CHIP CAP.	0.1uF	16V	B	GRM188B11C104KA01D	K22124805		1-	A	I1
C 5165	CHIP CAP.	0.1uF	16V	B	GRM188B11C104KA01D	K22124805		1-	A	I1
C 5166	CHIP CAP.	0.1uF	16V	B	GRM188B11C104KA01D	K22124805		1-	A	I1
C 5167	CHIP CAP.	0.1uF	16V	B	GRM188B11C104KA01D	K22124805		1-	A	I1
C 5168	CHIP TA.CAP.	1uF	16V		TEESVA1C105M8R	K78120009		1-	A	F1
C 5169	AL.ELECTRO.CAP.	10uF	35V		EEE1VA100WR	K48160006		30-	A	G1
C 5170	CHIP CAP.	0.1uF	16V	B	GRM188B11C104KA01D	K22124805		1-	A	F4
C 5171	CHIP CAP.	0.01uF	50V	B	GRM188B11H103KA01D	K22174823		1-	A	E4
C 5172	CHIP CAP.	0.01uF	50V	B	GRM188B11H103KA01D	K22174823		1-	A	E4
C 5173	CHIP TA.CAP.	22uF			TPSB226M016Y0600	K78120075		1-	A	A3
C 5174	CHIP TA.CAP.	22uF			TPSB226M016Y0600	K78120075		1-	A	A2
C 5176	CHIP TA.CAP.	1uF	35V		TEESVA1V105M8R	K78160032		1-	A	A4
C 5177	CHIP TA.CAP.	1uF	35V		TEESVA1V105M8R	K78160032		1-	A	A2
C 5178	CHIP TA.CAP.	1uF	35V		TEESVA1V105M8R	K78160032		1-	A	A3
C 5179	CHIP TA.CAP.	0.1uF	35V		TEESVA1V104M8R	K78160025		1	A	H4
C 5179	CHIP CAP.	0.1uF	16V	B	GRM188B11C104KA01D	K22124805		2-	A	H4
C 5180	CHIP TA.CAP.	0.1uF	35V		TEESVA1V104M8R	K78160025		1	A	C2
C 5180	CHIP CAP.	0.1uF	16V	B	GRM188B11C104KA01D	K22124805		2-29	A	C2
C 5181	CHIP CAP.	0.1uF	16V	B	GRM188B11C104KA01D	K22124805		2-	A	E3
C 5182	CHIP CAP.	0.1uF	16V	B	GRM188B11C104KA01D	K22124805		2-	A	E4
C 5183	CHIP CAP.	0.1uF	16V	B	GRM188B11C104KA01D	K22124805		18-	A	E3
C 5184	CHIP CAP.	0.1uF	16V	B	GRM188B11C104KA01D	K22124805		30-	A	E3
C 5185	CHIP CAP.	0.1uF	16V	B	GRM188B11C104KA01D	K22124805		30-	A	E3
C 5186	CHIP CAP.	0.1uF	16V	B	GRM188B11C104KA01D	K22124805		30-	A	F2
C 5187	CHIP CAP.	0.1uF	16V	B	GRM188B11C104KA01D	K22124805		30-	A	F2
C 5188	CHIP CAP.	0.1uF	16V	B	GRM188B11C104KA01D	K22124805		30-	A	D2
C 5189	CHIP CAP.	0.01uF	50V	B	GRM188B11H103KA01D	K22174823		30-	A	C2
C 5190	CHIP CAP.	0.01uF	50V	B	GRM188B11H103KA01D	K22174823		30-	A	C2
C 5191	CHIP CAP.	0.1uF	16V	B	GRM188B11C104KA01D	K22124805		30-	A	C1
C 5192	CHIP CAP.	0.01uF	50V	B	GRM188B11H103KA01D	K22174823		30-	A	F2
C 5193	CHIP CAP.	0.01uF	50V	B	GRM188B11H103KA01D	K22174823		30-	A	F2
C 5195	CHIP CAP.	0.01uF	50V	B	GRM188B11H103KA01D	K22174823		30-	A	F2
C 5196	CHIP CAP.	0.1uF	16V	B	GRM188B11C104KA01D	K22124805		30-	A	E2
C 5197	CHIP CAP.	0.01uF	50V	B	GRM188B11H103KA01D	K22174823		30-	A	G3
C 5198	CHIP CAP.	0.01uF	50V	B	GRM188B11H103KA01D	K22174823		30-	A	G3
C 5199	CHIP CAP.	0.01uF	50V	B	GRM188B11H103KA01D	K22174823		30-	A	G3
C 5200	CHIP CAP.	0.1uF	16V	B	GRM188B11C104KA01D	K22124805		30-	A	H2
C 5201	CHIP CAP.	0.1uF	16V	B	GRM188B11C104KA01D	K22124805		30-	A	H2
C 5202	CHIP TA.CAP.	1uF	16V		TEESVA1C105M8R	K78120009		30-	A	C2
C 5203	CHIP CAP.	0.1uF	16V	B	GRM188B11C104KA01D	K22124805		30-	A	H3
C 5204	CHIP CAP.	0.1uF	16V	B	GRM188B11C104KA01D	K22124805		30-	A	F2
C 5204	CHIP CAP.	0.047uF	25V	B	GRM188B11E473KA01D	K22144811		46-	A	F2
C 5205	CHIP CAP.	0.1uF	16V	B	GRM188B11C104KA01D	K22124805		30-	A	F2
C 5205	CHIP CAP.	0.047uF	25V	B	GRM188B11E473KA01D	K22144811		46-	A	F2
C 5206	CHIP CAP.	0.1uF	16V	B	GRM188B11C104KA01D	K22124805		30-	A	F2
C 5206	CHIP CAP.	0.047uF	25V	B	GRM188B11E473KA01D	K22144811		46-	A	F2
C 5207	CHIP CAP.	0.1uF	16V	B	GRM188B11C104KA01D	K22124805		30-	A	F2
C 5207	CHIP CAP.	0.047uF	25V	B	GRM188B11E473KA01D	K22144811		46-	A	F2
C 5208	CHIP CAP.	0.1uF	16V	B	GRM188B11C104KA01D	K22124805		30-	A	F2
C 5208	CHIP CAP.	0.047uF	25V	B	GRM188B11E473KA01D	K22144811		46-	A	F2
C 5209	CHIP CAP.	0.1uF	16V	B	GRM188B11C104KA01D	K22124805		30-	A	F2
C 5209	CHIP CAP.	0.047uF	25V	B	GRM188B11E473KA01D	K22144811		46-	A	F2
C 5210	CHIP CAP.	0.1uF	16V	B	GRM188B11C104KA01D	K22124805		30-	A	F1
C 5210	CHIP CAP.	0.047uF	25V	B	GRM188B11E473KA01D	K22144811		46-	A	F1
C 5211	CHIP CAP.	0.1uF	16V	B	GRM188B11C104KA01D	K22124805		30-	A	F2
C 5212	CHIP CAP.	0.1uF	16V	B	GRM188B11C104KA01D	K22124805		30-	A	F1
C 5212	CHIP CAP.	0.047uF	25V	B	GRM188B11E473KA01D	K22144811		46-	A	F1
C 5213	CHIP CAP.	0.01uF	50V	B	GRM188B11H103KA01D	K22174823		30-	A	F2
D 5001	DIODE				BAS316	G2070716		1-	A	G4
D 5002	DIODE				BAS316	G2070716		1-	A	H1
D 5003	LED				SML-210MTT86	G2070524		1-	A	A4
D 5004	LED				SML-210DTT86	G2070772		1-	A	A2
D 5005	LED				SML-210MTT86	G2070524		1-3		
D 5006	LED				SML-210MTT86	G2070524		1-	A	A1
D 5007	DIODE				DAP202U T106	G2070160		1-	A	H3
D 5008	LED				SML-210VTT86	G2070768		1-	A	A2
D 5009	DIODE				BAS316	G2070716		1-	A	B3
D 5010	DIODE				BAS316	G2070716		1-	A	C4
D 5011	DIODE				BAS316	G2070716		1-	A	C4
D 5012	DIODE				BAS316	G2070716		1-	A	C4
D 5013	DIODE				1SS294(TE85R.F)	G2070058		1-	A	B1

# CNTL Unit

## Parts List

REF	DESCRIPTION	VALUE	V/W	TOL.	MFR'S DESIG	VXSTD P/N	VERS.	LOT	SIDE	LAY ADR
D 5014	LED				SML-210DTT86	G2070772		1-	A	C2
D 5016	DIODE				RB051L-40TE25	G2070718		1-	A	F1
D 5017	DIODE				BAS316	G2070716		1-	A	G1
D 5018	DIODE				BAS316	G2070716		1-	A	G1
D 5019	DIODE				DAN202U T106	G2070162		1-	A	D3
D 5020	DIODE				DAN202U T106	G2070162		1-	A	D3
D 5021	DIODE				BAS316	G2070716		1-	A	D4
D 5022	DIODE				DAN202U T106	G2070162		1-	A	D3
D 5023	DIODE				BAS316	G2070716		1-	A	D4
D 5024	DIODE				DAN202U T106	G2070162		1-	A	D3
D 5025	DIODE				BAS316	G2070716		1-	A	H2
D 5026	DIODE				BAS316	G2070716		1-	A	D4
D 5027	DIODE				DAN202U T106	G2070162		1-	A	D3
D 5028	DIODE				BAS316	G2070716		1-	A	H2
D 5029	DIODE				DAN202U T106	G2070162		1-	A	D3
D 5030	DIODE				BAS316	G2070716		1-	A	D4
D 5031	DIODE				BAS316	G2070716		1-	A	D4
D 5032	DIODE				BAS316	G2070716		1-	A	D4
D 5033	DIODE				BAS316	G2070716		1-	A	D4
D 5034	DIODE				BAS316	G2070716		1-	A	D4
D 5035	DIODE				BAS316	G2070716		1-	A	D4
D 5036	DIODE				BAS316	G2070716		1-	A	D4
D 5037	DIODE				BAS316	G2070716		1-	A	D4
D 5038	DIODE				BAS316	G2070716		1-	A	D4
D 5039	DIODE				BAS316	G2070716		1-	A	H3
D 5040	DIODE				BAS316	G2070716		1-	A	F3
D 5041	DIODE				BAS316	G2070716		1-	A	H2
D 5042	DIODE				BAS316	G2070716		1-29	A	H2
D 5043	LED				SML-210MTT86	G2070524		4-	A	A3
D 5045	DIODE				HZM4.7NB2 TR-E	G2070782		30-	A	C2
J 5001	CONNECTOR				30FLT-SM2-TB(LF)(SN)(M)	P1091142		1-	A	H1
J 5002	CONNECTOR				9637S-30-Y905	P1091169		1-	A	G4
J 5006	CONNECTOR				30FLT-SM2-TB(LF)(SN)(M)	P1091142		1-	A	I3
J 5007	CONNECTOR				9637S-30-Y905	P1091169		1-	A	C4
J 5008	CONNECTOR				09FMN-BMTTN-TFT(LF)(SN)	P1091089		1-29	A	C2
J 5009	CONNECTOR				30FLT-SM2-TB(LF)(SN)(M)	P1091142		1-	A	I1
J 5010	CONNECTOR				30FLT-SM2-TB(LF)(SN)(M)	P1091142		1-	A	J3
J 5011	CONNECTOR				53398-0990	P0091189		1-29	A	B1
J 5012	CONNECTOR				9637S-30-Y905	P1091169		1-	A	I3
J 5013	CONNECTOR				9637S-45-Y905	P1091171		1-	A	F4
J 5014	CONNECTOR				9637S-45-Y905	P1091171		1-	A	D4
J 5015	CONNECTOR				S6B-PH-SM4-TB(LF)(SN)	P0091353		1-	A	J1
J 5016	CONNECTOR				9637S-30-Y905	P1091169		1-	A	H3
J 5017	CONNECTOR				9637S-30-Y905	P1091169		1-	A	E4
J 5018	CONNECTOR				S7B-PH-SM4-TB(LF)(SN)	P0091345		1-	A	A1
J 5019	CONNECTOR				9637S-30-Y905	P1091169		1-	A	C3
J 5020	CONNECTOR				9637S-30-Y905	P1091169		1-	A	I4
J 5021	CONNECTOR				30FLT-SM2-TB(LF)(SN)(M)	P1091142		1-	A	F1
J 5022	CONNECTOR				S2B-PH-SM4-TB(LF)(SN)	P0091352		4-	A	J2
JP5000	WIRE ASSY				GRN 140 2/2	T50514000		1		
JP5001	WIRE ASSY				GRN 70 2/2	T50507000		1	A	D3
JP5002	WIRE ASSY				BLK 70 (3)/(3)	T53007012		1	A	D3
JP5003	WIRE ASSY				RED 85 (2)/(2)	T53208502		1	A	D3
JP5004	WIRE ASSY				GRN 110 2/2	T50511000		1	A	D3
JP5005	WIRE ASSY				GRN 110 2/2	T50511000		1	A	D3
JP5006	WIRE ASSY				RED 50 (3)/(3)	T52205012		1	A	D3
JP5013	WIRE ASSY				RED 50 (3)/(3)	T52205012		2-3	A	E3
JP5013	CHIPRES.	0	1/16W	5%	RMC1/16 000JATP	J24185000		30-	A	E3
JP5014	WIRE ASSY				GRN 140 2/2	T50514000		2-3		
JP5015	WIRE ASSY				GRN 70 2/2	T50507000		2-3		
JP5016	WIRE ASSY				GRN 170 2/2	T50517000		3-29		
JP5017	WIRE ASSY				GRN 55 2/2	T50505500		30-		
L 5001	CHIPCOIL	1500uH			A814AY-152K=P3	L1691320		1-	A	B2
L 5002	M.RFC	470uH			RCR110D-471L	L1190405		1	A	C1
L 5002	M.RFC	470uH			CDRH105RNP-471NC-VS	L1691359		2-	A	C1
L 5003	CHIPCOIL	1500uH			A814AY-152K=P3	L1691320		1-	A	C2
L 5004	M.RFC	47uH			7C06N-470M	L1691227		1-29	A	E1
Q 5001	IC				NJM2904V-TE1	G1091677		1-	A	B4
Q 5001	IC				NJM072BV(TAPE)	G1094006		8-	A	B4
Q 5002	IC				TA75S558F(TE85R)	G1092284		1-	A	H4
Q 5003	IC				BU2099FV-E2	G1093243		1-	A	G3
Q 5004	TRANSISTOR				DTC114YUA T106	G3070298		1	A	H3
Q 5004	TRANSISTOR				DTC114EUA T106	G3070084		2-	A	H3



# CNTL Unit

## Parts List

REF	DESCRIPTION	VALUE	V/W	TOL.	MFR'S DESIG	VXSTD P/N	VERS.	LOT	SIDE	LAY ADR
Q 5005	IC				BU4069UBFV-E2	G1093601		1-	A	F3
Q 5006	IC				BA033CC0FP-E2	G1094077		1-	A	A4
Q 5007	IC				UPC2409AHF	G1092259		1-	B	j2
Q 5007	IC				NJM7809FA	G1094197		3-	B	j2
Q 5008	IC				BA05FP-E2	G1093209		2-	A	A3
Q 5009	TRANSISTOR				2SC4154-T111-1E	G3341548E		1-	A	H3
Q 5009	TRANSISTOR				2SC4081 T106	G3340818		29-	A	H3
Q 5010	TRANSISTOR				DTC114YUA T106	G3070298		1-	A	H3
Q 5010	IC				LM2902PWR	G1094009		30-	A	H3
Q 5011	TRANSISTOR				2SB1182-TLQ	G3070063		1-	A	H4
Q 5012	TRANSISTOR				DTC114YUA T106	G3070298		1-	A	H3
Q 5013	IC				BU4069UBFV-E2	G1093601		1-	A	G3
Q 5014	TRANSISTOR				2SC4154-T111-1E	G3341548E		1-	A	H3
Q 5014	TRANSISTOR				2SC4081 T106	G3340818		29-	A	H3
Q 5015	IC				BR24L16F-WE2	G1094117		1-29	A	C2
Q 5016	IC				NJM2374AE-TE1	G1093808		1-	A	B1
Q 5017	TRANSISTOR				2SB1182-TLQ	G3070063		1-	A	H4
Q 5018	IC				UPD78F9026AGB-8ES	G1093504		1-	A	C2
Q 5018	IC				BU4053BCFV-E2	G1093422		30-	A	C2
Q 5019	TRANSISTOR				DTC114YUA T106	G3070298		1-	A	H3
Q 5020	TRANSISTOR				DTC114YUA T106	G3070298		1-	A	H3
Q 5021	IC				CD4053BPWR	G1093864		1	A	E3
Q 5021	IC				BU4053BCFV-E1	G1092064		2-	A	E3
Q 5021	IC				BU4053BCFV-E2	G1093422		30-	A	E3
Q 5022	IC				PC16552DVX	G1094000		1-29	A	H2
Q 5023	TRANSISTOR				2SC4154-T111-1E	G3341548E		1-29	A	G1
Q 5024	IC				NJM4558V-TE1	G1093250		1-	A	H3
Q 5025	IC				M51945BFP-CFOR	G1091990		1-29	A	G1
Q 5026	IC				CD4052BPWR	G1093862		1	A	E3
Q 5026	IC				BU4052BCFV-E2	G1094196		2-	A	E3
Q 5027	IC				CD4052BPWR	G1093862		1	A	E3
Q 5027	IC				BU4052BCFV-E2	G1094196		2-	A	E3
Q 5028	IC				BA033CC0FP-E2	G1094077		1-	A	F1
Q 5029	IC				CD4053BPWR	G1093864		1	A	D3
Q 5029	IC				BU4053BCFV-E1	G1092064		2-	A	D3
Q 5029	IC				BU4053BCFV-E2	G1093422		30-	A	D3
Q 5030	TRANSISTOR				2SA1602A-T111-1F	G3116028F		1-	A	G1
Q 5030	TRANSISTOR				ISA1602AM1-T111-1F	G3070380		23-	A	G1
Q 5030	TRANSISTOR				2SA1576A T106 R	G3115768R		29-	A	G1
Q 5031	IC				CD4052BPWR	G1093862		1	A	E3
Q 5031	IC				BU4052BCFV-E2	G1094196		2-	A	E3
Q 5032	IC				CD4052BPWR	G1093862		1	A	F3
Q 5032	IC				BU4052BCFV-E2	G1094196		2-	A	F3
Q 5033	TRANSISTOR				2SC4154-T111-1E	G3341548E		1-	A	G1
Q 5033	TRANSISTOR				2SC4081 T106	G3340818		29-	A	G1
Q 5034	TRANSISTOR				2SC4154-T111-1E	G3341548E		1-	A	G1
Q 5034	TRANSISTOR				2SC4081 T106	G3340818		29-	A	G1
Q 5035	TRANSISTOR				2SA1602A-T111-1F	G3116028F		1-	A	G1
Q 5035	TRANSISTOR				ISA1602AM1-T111-1F	G3070380		23-	A	G1
Q 5035	TRANSISTOR				2SA1576A T106 R	G3115768R		29-	A	G1
Q 5036	TRANSISTOR				DTC114YUA T106	G3070298		1-	A	H3
Q 5037	IC				HD64F2676VFC33(FLASH)	G1093764		1-29	A	E2
Q 5038	IC				PC16552DVX	G1094000		1-29	A	I2
Q 5039	TRANSISTOR				DTC114YUA T106	G3070298		1-	A	F1
Q 5040	IC				BR24L64F-WE2	G1093876		1	A	C2
Q 5040	IC				AT24C64CN-SH-T	G1093171		2-	A	C2
Q 5040	IC				FM24CL64	G1094270		30-	A	C2
Q 5041	IC				CD4093BPWR	G1094093		1-	A	D2
Q 5042	IC				CD4030BPWR	G1094092		1-	A	D2
Q 5043	TRANSISTOR				DTC144EE TL	G3070075		1-	A	A1
Q 5044	FET				2SJ506STR-E	G4070014		1-	A	A1
Q 5044	FET				2SJ387STL	G3703878		4-	A	A1
Q 5045	IC				SN74HCT244PWR	G1094091		1-	A	F2
Q 5046	IC				CD4093BPWR	G1094093		1-	A	D1
Q 5047	IC				SN74LVC1G04DCKR	G1093972		1-	A	F2
Q 5048	IC				CD4030BPWR	G1094092		1-	A	D2
Q 5049	IC				CD74HCT238M96	G1093850		1-	A	G2
Q 5050	IC				CD74HCT238M96	G1093850		1-	A	F2
Q 5051	IC				SN74LVC1G04DCKR	G1093972		1-	A	G2
Q 5052	IC				SN74LVC1G04DCKR	G1093972		1-	A	D3
Q 5053	IC				CD74HCT238M96	G1093850		1-	A	G2
Q 5054	IC				CD74HCT238M96	G1093850		1-	A	G2
Q 5055	IC				TD62783AFNG(5.S.EL)	G1092700		1-	A	C3

# CNTL Unit

## Parts List

REF	DESCRIPTION	VALUE	V/W	TOL.	MFR'S DESIG	VXSTD P/N	VERS.	LOT	SIDE	LAY ADR
Q 5056	IC				CD4028BPWR	G1093861		1-	A	D3
Q 5057	IC				CD4028BPWR	G1093861		1-	A	D3
Q 5058	IC				SN74HC244PWR	G1094090		1-	A	G2
Q 5059	IC				CD74HCT238M96	G1093850		1-	A	F3
Q 5060	IC				TC7W08FU(TE12L.F)	G1092264		1-29	A	G3
Q 5061	IC				TC7W08FU(TE12L.F)	G1092264		1-29	A	G3
Q 5062	IC				TC7W08FU(TE12L.F)	G1092264		1-29	A	G3
Q 5063	IC				TC7W08FU(TE12L.F)	G1092264		1-29	A	G3
Q 5064	IC				TC7W08FU(TE12L.F)	G1092264		1-29	A	G3
Q 5065	IC				NJM2904V-TE1	G1091677		1-	A	H3
Q 5066	IC				TC7W08FU(TE12L.F)	G1092264		1-29	A	G3
Q 5067	IC				CD4053BPWR	G1093864		1	A	G2
Q 5067	IC				BU4053BCFV-E1	G1092064		2-	A	G2
Q 5067	IC				SN74LV4053APWR	G1093870		30-	A	G2
Q 5068	IC				ADM3202ARU	G1094022		1-	A	I1
Q 5069	TRANSISTOR				UMA2N TR	G3070213		1-	A	G3
Q 5070	TRANSISTOR				DTC114YUA T106	G3070298		1-	A	G3
Q 5071	TRANSISTOR				2SC4154-T111-1E	G3341548E		1	A	B4
Q 5072	TRANSISTOR				2SC4154-T111-1E	G3341548E		1	A	B4
Q 5073	IC				TC7W08FU(TE12L.F)	G1092264		1-	A	H3
Q 5074	TRANSISTOR				DTC114YUA T106	G3070298		1-	A	H3
Q 5075	TRANSISTOR				DTC114YUA T106	G3070298		1-	A	H3
Q 5076	TRANSISTOR				2SB1132 T100 R	G3211327R		30-	A	B1
Q 5077	IC				R5F61663N50FPV	G1094412		30-	A	E2
Q 5078	IC				SN74LVC2G08DCTR	G1094341		30-	A	D2
Q 5079	IC				BU2507FV-E2	G1093773		30-	A	C1
Q 5080	IC				SN74LVC3G17DCTR	G1094419		30-	A	F2
Q 5081	IC				SN74LVC3G17DCTR	G1094419		30-	A	F2
Q 5082	IC				SN74LVC3G17DCTR	G1094419		30-	A	F2
Q 5083	IC				CD74HCT08M96	G1093867		30-	A	G3
Q 5083	IC				CD4081BM96	G1094639		30-	A	G3
Q 5084	IC				CD4081BM96	G1094639		30-	A	G3
Q 5084	IC				CD74HCT08M96	G1093867		30-	A	G3
Q 5085	IC				CD4081BM96	G1094639		30-	A	G3
Q 5085	IC				CD74HCT08M96	G1093867		30-	A	G3
Q 5086	IC				PST3445UR	G1093232		30-	A	G1
Q 5087	IC				SN74LV4053APWR	G1093870		30-	A	H2
Q 5088	IC				SN74LV4053APWR	G1093870		30-	A	H2
R 5001	CHIPRES.	100	1/16W	5%	RMC1/16 101JATP	J24185101		1-	A	G4
R 5002	CHIPRES.	100	1/16W	5%	RMC1/16 101JATP	J24185101		1-	A	G4
R 5003	CHIPRES.	100	1/16W	5%	RMC1/16 101JATP	J24185101		1-	A	G4
R 5003	CHIPRES.	470	1/16W	5%	RMC1/16 471JATP	J24185471		30-	A	G4
R 5004	CHIPRES.	100	1/16W	5%	RMC1/16 101JATP	J24185101		1-	A	H4
R 5004	CHIPRES.	470	1/16W	5%	RMC1/16 471JATP	J24185471		30-	A	H4
R 5005	CHIPRES.	0	1/16W	5%	RMC1/16 000JATP	J24185000		1-	A	G4
R 5006	CHIPRES.	0	1/16W	5%	RMC1/16 000JATP	J24185000		1-	A	G4
R 5007	CHIPRES.	2.2k	1/16W	5%	RMC1/16 222JATP	J24185222		1-	A	A2
R 5008	CHIPRES.	270	1/16W	5%	RMC1/16 271JATP	J24185271		1-	A	A4
R 5009	CHIPRES.	2.2k	1/16W	5%	RMC1/16 222JATP	J24185222		1-	A	A2
R 5010	CHIPRES.	470	1/16W	5%	RMC1/16 471JATP	J24185471		1-3	A	E1
R 5010	CHIPRES.	4.7k	1/16W	5%	RMC1/16 472JATP	J24185472		30-	A	E1
R 5011	CHIPRES.	10k	1/16W	5%	RMC1/16 103JATP	J24185103		1-	A	G3
R 5014	CHIPRES.	10k	1/16W	5%	RMC1/16 103JATP	J24185103		1-	A	H3
R 5016	CHIPRES.	4.7k	1/16W	5%	RMC1/16 472JATP	J24185472		1-	A	H4
R 5017	CHIPRES.	47k	1/16W	5%	RMC1/16 473JATP	J24185473		1-	A	H4
R 5018	CHIPRES.	10k	1/16W	5%	RMC1/16 103JATP	J24185103		1-	A	H3
R 5019	CHIPRES.	10k	1/16W	5%	RMC1/16 103JATP	J24185103		1-	A	H3
R 5020	CHIPRES.	100	1/16W	5%	RMC1/16 101JATP	J24185101		1-	A	G3
R 5021	CHIPRES.	100	1/16W	5%	RMC1/16 101JATP	J24185101		1-	A	F3
R 5022	CHIPRES.	470	1/16W	5%	RMC1/16 471JATP	J24185471		1-	A	A1
R 5023	CHIPRES.	47k	1/16W	5%	RMC1/16 473JATP	J24185473		30-	A	E1
R 5024	CHIPRES.	100	1/16W	5%	RMC1/16 101JATP	J24185101		1-	A	G3
R 5025	CHIPRES.	3.3k	1/16W	5%	RMC1/16 332JATP	J24185332		1-	A	B4
R 5026	CHIPRES.	100	1/16W	5%	RMC1/16 101JATP	J24185101		1-	A	F3
R 5027	CHIPRES.	100	1/16W	5%	RMC1/16 101JATP	J24185101		1-	A	G3
R 5028	CHIPRES.	100	1/16W	5%	RMC1/16 101JATP	J24185101		1-	A	F3
R 5029	CHIPRES.	1k	1/16W	5%	RMC1/16 102JATP	J24185102		1-	A	H4
R 5030	CHIPRES.	10k	1/16W	5%	RMC1/16 103JATP	J24185103		1-	A	H4
R 5031	CHIPRES.	4.7k	1/16W	5%	RMC1/16 472JATP	J24185472		1-	A	H3
R 5032	CHIPRES.	100	1/16W	5%	RMC1/16 101JATP	J24185101		1-	A	G3
R 5033	CHIPRES.	10k	1/16W	5%	RMC1/16 103JATP	J24185103		1-	A	H3
R 5034	CHIPRES.	2.7k	1/16W	5%	RMC1/16 272JATP	J24185272		1-	A	A2
R 5035	CHIPRES.	47k	1/16W	5%	RMC1/16 473JATP	J24185473		30-	A	E1

# CNTL Unit

## Parts List

REF	DESCRIPTION	VALUE	V/W	TOL.	MFR'S DESIG	VXSTD P/N	VERS.	LOT	SIDE	LAY ADR
R 5036	CHIPRES.	22k	1/16W	5%	RMC1/16 223JATP	J24185223		1-	A	H3
R 5037	CHIPRES.	1k	1/16W	5%	RMC1/16 102JATP	J24185102		1-	A	H4
R 5038	CHIPRES.	100	1/16W	5%	RMC1/16 101JATP	J24185101		1-	A	G3
R 5039	CHIPRES.	3.3k	1/16W	5%	RMC1/16 332JATP	J24185332		1-	A	B4
R 5040	CHIPRES.	2.7k	1/16W	5%	RMC1/16 272JATP	J24185272		1-	A	A2
R 5041	CHIPRES.	4.7k	1/16W	5%	RMC1/16 472JATP	J24185472		30-	A	E1
R 5042	CHIPRES.	33k	1/16W	5%	RMC1/16 333JATP	J24185333		1-	A	H3
R 5043	CHIPRES.	100	1/16W	5%	RMC1/16 101JATP	J24185101		1-	A	G3
R 5044	CHIPRES.	10k	1/16W	5%	RMC1/16 103JATP	J24185103		1-	A	H3
R 5045	CHIPRES.	1k	1/16W	5%	RMC1/16 102JATP	J24185102		1-	A	H4
R 5046	CHIPRES.	100	1/16W	5%	RMC1/16 101JATP	J24185101		1-	A	G3
R 5047	CHIPRES.	10k	1/16W	5%	RMC1/16 103JATP	J24185103		1-	A	B3
R 5049	CHIPRES.	4.7k	1/16W	5%	RMC1/16 472JATP	J24185472		30-	A	E1
R 5050	CHIPRES.	10k	1/16W	5%	RMC1/16 103JATP	J24185103		1-	A	H4
R 5051	CHIPRES.	1	1/10W	5%	RMC1/10T 1R0J	J24205010		1-	A	B1
R 5052	CHIPRES.	10k	1/16W	5%	RMC1/16 103JATP	J24185103		1-	A	E1
R 5052	CHIPRES.	4.7k	1/16W	5%	RMC1/16 472JATP	J24185472		30-	A	E1
R 5053	CHIPRES.	10k	1/16W	5%	RMC1/16 103JATP	J24185103		1-	A	E1
R 5053	CHIPRES.	4.7k	1/16W	5%	RMC1/16 472JATP	J24185472		30-	A	E1
R 5054	CHIPRES.	1	1/10W	5%	RMC1/10T 1R0J	J24205010		1-	A	B1
R 5055	CHIPRES.	1k	1/16W	5%	RMC1/16 102JATP	J24185102		1-	A	H4
R 5056	CHIPRES.	10k	1/16W	5%	RMC1/16 103JATP	J24185103		1-	A	E1
R 5056	CHIPRES.	4.7k	1/16W	5%	RMC1/16 472JATP	J24185472		30-	A	E1
R 5057	CHIPRES.	1k	1/16W	5%	RMC1/16 102JATP	J24185102		1-	A	B3
R 5058	CHIPRES.	470	1/16W	5%	RMC1/16 471JATP	J24185471		1-	A	C4
R 5059	CHIPRES.	470	1/16W	5%	RMC1/16 471JATP	J24185471		1-	A	C4
R 5060	CHIPRES.	4.7k	1/16W	5%	RMC1/16 472JATP	J24185472		1-	A	E1
R 5061	CHIPRES.	4.7k	1/16W	5%	RMC1/16 472JATP	J24185472		1-	A	E1
R 5062	CHIPRES.	6.2k	1/16W	1%	RMC1/16 622FTP	J24183622		1-	A	B1
R 5063	CHIPRES.	39k	1/16W	5%	RMC1/16 393JATP	J24185393		30-	A	C2
R 5064	CHIPRES.	1k	1/16W	1%	RMC1/16 102FTP	J24183102		1-	A	B1
R 5065	CHIPRES.	39k	1/16W	5%	RMC1/16 393JATP	J24185393		30-	A	C2
R 5066	CHIPRES.	39k	1/16W	5%	RMC1/16 393JATP	J24185393		30-	A	C2
R 5067	CHIPRES.	39k	1/16W	5%	RMC1/16 393JATP	J24185393		30-	A	C2
R 5069	CHIPRES.	1k	1/16W	5%	RMC1/16 102JATP	J24185102		1-	A	F3
R 5070	CHIPRES.	1k	1/16W	5%	RMC1/16 102JATP	J24185102		1-	A	F3
R 5071	CHIPRES.	2.2k	1/16W	5%	RMC1/16 222JATP	J24185222		1-	A	C2
R 5072	CHIPRES.	47k	1/16W	5%	RMC1/16 473JATP	J24185473		1-	A	C4
R 5073	CHIPRES.	0	1/16W	5%	RMC1/16 000JATP	J24185000		1-	A	J3
R 5074	CHIPRES.	47k	1/16W	5%	RMC1/16 473JATP	J24185473		1-	A	C2
R 5074	CHIPRES.	10k	1/16W	5%	RMC1/16 103JATP	J24185103		30-	A	C2
R 5075	CHIPRES.	2.2k	1/16W	5%	RMC1/16 222JATP	J24185222		1-	A	C2
R 5076	CHIPRES.	10k	1/16W	5%	RMC1/16 103JATP	J24185103		1-	A	C2
R 5076	CHIPRES.	4.7k	1/16W	5%	RMC1/16 472JATP	J24185472		30-	A	C2
R 5077	CHIPRES.	47k	1/16W	5%	RMC1/16 473JATP	J24185473		1-	A	C2
R 5077	CHIPRES.	6.8k	1/16W	5%	RMC1/16 682JATP	J24185682		30-	A	C2
R 5078	CHIPRES.	47k	1/16W	5%	RMC1/16 473JATP	J24185473		1-	A	E2
R 5080	CHIPRES.	100	1/16W	5%	RMC1/16 101JATP	J24185101		1-	A	C2
R 5080	CHIPRES.	10k	1/16W	5%	RMC1/16 103JATP	J24185103		30-	A	C2
R 5081	CHIPRES.	1k	1/16W	5%	RMC1/16 102JATP	J24185102		1-	A	C2
R 5081	CHIPRES.	27k	1/16W	5%	RMC1/16 273JATP	J24185273		30-	A	C2
R 5082	CHIPRES.	4.7	1/16W	5%	RMC1/16 4R7JATP	J24185479		1-	A	C1
R 5082	CHIPRES.	27k	1/16W	5%	RMC1/16 273JATP	J24185273		30-	A	C1
R 5083	CHIPRES.	10k	1/16W	5%	RMC1/16 103JATP	J24185103		1-	A	C2
R 5083	CHIPRES.	27k	1/16W	5%	RMC1/16 273JATP	J24185273		30-	A	C2
R 5084	CHIPRES.	10k	1/16W	5%	RMC1/16 103JATP	J24185103		1-	A	H3
R 5085	CHIPRES.	1M	1/16W	5%	RMC1/16 105JATP	J24185105		1-	A	C2
R 5085	CHIPRES.	27k	1/16W	5%	RMC1/16 273JATP	J24185273		30-	A	C2
R 5086	CHIPRES.	4.7k	1/16W	5%	RMC1/16 472JATP	J24185472		1-	A	H3
R 5087	CHIPRES.	10k	1/16W	5%	RMC1/16 103JATP	J24185103		1-	A	I3
R 5088	CHIPRES.	1k	1/16W	5%	RMC1/16 102JATP	J24185102		1-	A	I3
R 5089	CHIPRES.	47k	1/16W	5%	RMC1/16 473JATP	J24185473		1-	A	C1
R 5089	CHIPRES.	10k	1/16W	5%	RMC1/16 103JATP	J24185103		30-	A	C1
R 5090	CHIPRES.	47k	1/16W	5%	RMC1/16 473JATP	J24185473		1-	A	C1
R 5090	CHIPRES.	10k	1/16W	5%	RMC1/16 103JATP	J24185103		30-	A	C1
R 5091	CHIPRES.	1k	1/16W	5%	RMC1/16 102JATP	J24185102		1-	A	F3
R 5092	CHIPRES.	100	1/16W	5%	RMC1/16 101JATP	J24185101		1-	A	H3
R 5093	CHIPRES.	10k	1/16W	5%	RMC1/16 103JATP	J24185103		1-	A	I3
R 5094	CHIPRES.	0	1/16W	5%	RMC1/16 000JATP	J24185000		1-	A	H1
R 5094	CHIPRES.	10k	1/16W	5%	RMC1/16 103JATP	J24185103		30-	A	H1
R 5095	CHIPRES.	1k	1/16W	5%	RMC1/16 102JATP	J24185102		1-	A	F3
R 5096	CHIPRES.	1.5k	1/16W	5%	RMC1/16 152JATP	J24185152		1-	A	H1
R 5096	CHIPRES.	10k	1/16W	5%	RMC1/16 103JATP	J24185103		30-	A	H1

# CNTL Unit

## Parts List

REF	DESCRIPTION	VALUE	V/W	TOL.	MFR'S DESIG	VXSTD P/N	VERS.	LOT	SIDE	LAY ADR
R 5097	CHIPRES.	1.5k	1/16W	5%	RMC1/16 152JATP	J24185152		1-29	A	H1
R 5098	CHIPRES.	1.5k	1/16W	5%	RMC1/16 152JATP	J24185152		1-29	A	H1
R 5099	CHIPRES.	3.3k	1/16W	5%	RMC1/16 332JATP	J24185332		1-29	A	G1
R 5100	CHIPRES.	100	1/16W	5%	RMC1/16 101JATP	J24185101		1-	A	H3
R 5101	CHIPRES.	4.7k	1/16W	5%	RMC1/16 472JATP	J24185472		1-	A	I3
R 5102	CHIPRES.	1k	1/16W	5%	RMC1/16 102JATP	J24185102		1-	A	H3
R 5104	CHIPRES.	47k	1/16W	5%	RMC1/16 473JATP	J24185473		1-	A	I4
R 5105	CHIPRES.	1.5k	1/16W	5%	RMC1/16 152JATP	J24185152		1-29	A	H2
R 5106	CHIPRES.	1.5k	1/16W	5%	RMC1/16 152JATP	J24185152		1-29	A	H2
R 5107	CHIPRES.	4.7k	1/16W	5%	RMC1/16 472JATP	J24185472		1-	A	F1
R 5107	CHIPRES.	1k	1/16W	5%	RMC1/16 102JATP	J24185102		30-	A	F1
R 5108	CHIPRES.	1k	1/16W	5%	RMC1/16 102JATP	J24185102		1-	A	F1
R 5109	CHIPRES.	100k	1/16W	5%	RMC1/16 104JATP	J24185104		1-29	A	G1
R 5110	CHIPRES.	1.5k	1/16W	5%	RMC1/16 152JATP	J24185152		1-29	A	H2
R 5111	CHIPRES.	47k	1/16W	5%	RMC1/16 473JATP	J24185473		1-	A	E3
R 5111	CHIPRES.	1M	1/16W	5%	RMC1/16 105JATP	J24185105		41-	A	E3
R 5112	CHIPRES.	1.5k	1/16W	5%	RMC1/16 152JATP	J24185152		1-29	A	H2
R 5113	CHIPRES.	47k	1/16W	5%	RMC1/16 473JATP	J24185473		1-	A	E4
R 5113	CHIPRES.	1M	1/16W	5%	RMC1/16 105JATP	J24185105		41-	A	E4
R 5114	CHIPRES.	1.5k	1/16W	5%	RMC1/16 152JATP	J24185152		1-29	A	H2
R 5115	CHIPRES.	47k	1/16W	5%	RMC1/16 473JATP	J24185473		1-	A	E3
R 5115	CHIPRES.	1M	1/16W	5%	RMC1/16 105JATP	J24185105		41-	A	E3
R 5116	CHIPRES.	3.3k	1/16W	5%	RMC1/16 332JATP	J24185332		1-29	A	H2
R 5117	CHIPRES.	47k	1/16W	5%	RMC1/16 473JATP	J24185473		1-	A	E4
R 5117	CHIPRES.	1M	1/16W	5%	RMC1/16 105JATP	J24185105		41-	A	E4
R 5118	CHIPRES.	4.7k	1/10W	0.5%	RR1220P-472-D-T5	J24209187		1-	A	E3
R 5119	CHIPRES.	47k	1/16W	5%	RMC1/16 473JATP	J24185473		1-	A	F3
R 5119	CHIPRES.	1M	1/16W	5%	RMC1/16 105JATP	J24185105		41-	A	F3
R 5121	CHIPRES.	47k	1/16W	5%	RMC1/16 473JATP	J24185473		1-	A	E3
R 5121	CHIPRES.	1M	1/16W	5%	RMC1/16 105JATP	J24185105		41-	A	E3
R 5122	CHIPRES.	47k	1/16W	5%	RMC1/16 473JATP	J24185473		1-	A	F2
R 5122	CHIPRES.	1M	1/16W	5%	RMC1/16 105JATP	J24185105		41-	A	F2
R 5123	CHIPRES.	4.7k	1/16W	5%	RMC1/16 472JATP	J24185472		1-	A	G1
R 5124	CHIPRES.	10k	1/16W	5%	RMC1/16 103JATP	J24185103		1-	A	G1
R 5125	CHIPRES.	10k	1/16W	5%	RMC1/16 103JATP	J24185103		1-	A	I2
R 5126	CHIPRES.	3.3k	1/16W	5%	RMC1/16 332JATP	J24185332		1-29	A	H2
R 5127	CHIPRES.	3.3k	1/16W	5%	RMC1/16 332JATP	J24185332		1-29	A	H2
R 5128	CHIPRES.	10k	1/16W	5%	RMC1/16 103JATP	J24185103		1-	A	I2
R 5128	CHIPRES.	1k	1/16W	5%	RMC1/16 102JATP	J24185102		30-	A	I2
R 5131	CHIPRES.	47k	1/16W	5%	RMC1/16 473JATP	J24185473		1-	A	G1
R 5132	CHIPRES.	47k	1/16W	5%	RMC1/16 473JATP	J24185473		1-	A	G1
R 5133	CHIPRES.	10k	1/16W	5%	RMC1/16 103JATP	J24185103		1-	A	I2
R 5135	CHIPRES.	47k	1/16W	5%	RMC1/16 473JATP	J24185473		1-29	A	H2
R 5136	CHIPRES.	47k	1/16W	5%	RMC1/16 473JATP	J24185473		1-29	A	H2
R 5137	CHIPRES.	47k	1/16W	5%	RMC1/16 473JATP	J24185473		1-29	A	H2
R 5138	CHIPRES.	47k	1/16W	5%	RMC1/16 473JATP	J24185473		1-29	A	H2
R 5139	CHIPRES.	47k	1/16W	5%	RMC1/16 473JATP	J24185473		1-29	A	H2
R 5140	CHIPRES.	47k	1/16W	5%	RMC1/16 473JATP	J24185473		1-29	A	H2
R 5141	CHIPRES.	47k	1/16W	5%	RMC1/16 473JATP	J24185473		1-29	A	H2
R 5142	CHIPRES.	47k	1/16W	5%	RMC1/16 473JATP	J24185473		1-29	A	G3
R 5143	CHIPRES.	22k	1/16W	5%	RMC1/16 223JATP	J24185223		1-29	A	E2
R 5144	CHIPRES.	10k	1/16W	5%	RMC1/16 103JATP	J24185103		1-	A	I2
R 5145	CHIPRES.	10k	1/16W	5%	RMC1/16 103JATP	J24185103		1-	A	G1
R 5146	CHIPRES.	100k	1/16W	5%	RMC1/16 104JATP	J24185104		1-	A	G1
R 5147	CHIPRES.	1k	1/16W	5%	RMC1/16 102JATP	J24185102		1-	A	F4
R 5148	CHIPRES.	1k	1/16W	5%	RMC1/16 102JATP	J24185102		1-	A	F4
R 5150	CHIPRES.	22k	1/16W	5%	RMC1/16 223JATP	J24185223		1-	A	E1
R 5151	CHIPRES.	22k	1/16W	5%	RMC1/16 223JATP	J24185223		1-	A	E1
R 5152	CHIPRES.	22k	1/16W	5%	RMC1/16 223JATP	J24185223		1-	A	E1
R 5153	CHIPRES.	1k	1/16W	5%	RMC1/16 102JATP	J24185102		1-	A	F4
R 5154	CHIPRES.	100k	1/16W	5%	RMC1/16 104JATP	J24185104		1-	A	G1
R 5155	CHIPRES.	1k	1/16W	5%	RMC1/16 102JATP	J24185102		1-	A	F4
R 5156	CHIPRES.	1k	1/16W	5%	RMC1/16 102JATP	J24185102		1-	A	F4
R 5157	CHIPRES.	47k	1/16W	5%	RMC1/16 473JATP	J24185473		1-	A	F4
R 5158	CHIPRES.	47k	1/16W	5%	RMC1/16 473JATP	J24185473		1-29	A	E1
R 5159	CHIPRES.	47k	1/16W	5%	RMC1/16 473JATP	J24185473		1-29	A	E1
R 5160	CHIPRES.	47k	1/16W	5%	RMC1/16 473JATP	J24185473		1-	A	F2
R 5161	CHIPRES.	470	1/16W	5%	RMC1/16 471JATP	J24185471		1-	A	F4
R 5162	CHIPRES.	330k	1/16W	5%	RMC1/16 334JATP	J24185334		1-	A	G1
R 5163	CHIP CAP.	0.1uF	16V	B	GRM188B11C104KA01D	K22124805		41-	A	E4
R 5164	CHIP CAP.	0.1uF	16V	B	GRM188B11C104KA01D	K22124805		41-	A	D3
R 5165	CHIP CAP.	0.1uF	16V	B	GRM188B11C104KA01D	K22124805		41-	A	E4
R 5166	CHIPRES.	470	1/16W	5%	RMC1/16 471JATP	J24185471		1-	A	F4

# CNTL Unit

## Parts List

REF	DESCRIPTION	VALUE	V/W	TOL.	MFR'S DESIG	VXSTD P/N	VERS.	LOT	SIDE	LAY ADR
R 5167	CHIP CAP.	0.1uF	16V	B	GRM188B11C104KA01D	K22124805		41-	A	E4
R 5168	CHIP CAP.	0.1uF	16V	B	GRM188B11C104KA01D	K22124805		41-	A	D3
R 5169	CHIP CAP.	0.1uF	16V	B	GRM188B11C104KA01D	K22124805		41-	A	E4
R 5170	CHIPRES.	470	1/16W	5%	RMC1/16 471JATP	J24185471		1-	A	F4
R 5171	CHIPRES.	100k	1/16W	5%	RMC1/16 104JATP	J24185104		1-	A	G1
R 5172	CHIPRES.	470	1/16W	5%	RMC1/16 471JATP	J24185471		1-	A	F4
R 5173	CHIPRES.	47k	1/16W	5%	RMC1/16 473JATP	J24185473		1-	A	G1
R 5175	CHIP CAP.	0.1uF	16V	B	GRM188B11C104KA01D	K22124805		41-	A	E3
R 5176	CHIPRES.	470	1/16W	5%	RMC1/16 471JATP	J24185471		1-	A	F4
R 5178	CHIP CAP.	0.1uF	16V	B	GRM188B11C104KA01D	K22124805		41-	A	E3
R 5179	CHIPRES.	10k	1/16W	5%	RMC1/16 103JATP	J24185103		1-	A	G1
R 5180	CHIPRES.	1k	1/16W	5%	RMC1/16 102JATP	J24185102		1-	A	F2
R 5181	CHIPRES.	1k	1/16W	5%	RMC1/16 102JATP	J24185102		1-	A	F2
R 5182	CHIPRES.	1k	1/16W	5%	RMC1/16 102JATP	J24185102		1-	A	F2
R 5183	CHIPRES.	1k	1/16W	5%	RMC1/16 102JATP	J24185102		1-	A	F2
R 5184	CHIPRES.	4.7k	1/16W	5%	RMC1/16 472JATP	J24185472		1-	A	E1
R 5185	CHIPRES.	47k	1/16W	5%	RMC1/16 473JATP	J24185473		1-	A	F2
R 5186	CHIPRES.	1M	1/16W	5%	RMC1/16 105JATP	J24185105		1-29	A	I1
R 5187	CHIPRES.	10	1/16W	5%	RMC1/16 100JATP	J24185100		1-	A	F2
R 5188	CHIPRES.	47k	1/16W	5%	RMC1/16 473JATP	J24185473		1-	A	C4
R 5189	CHIPRES.	10k	1/16W	5%	RMC1/16 103JATP	J24185103		1-	A	F4
R 5191	CHIP CAP.	0.1uF	16V	B	GRM188B11C104KA01D	K22124805		41-	A	E3
R 5192	CHIPRES.	4.7k	1/16W	5%	RMC1/16 472JATP	J24185472		1-	A	G1
R 5193	CHIPRES.	10k	1/16W	5%	RMC1/16 103JATP	J24185103		1-	A	F4
R 5194	CHIPRES.	15k	1/16W	5%	RMC1/16 153JATP	J24185153		1-	A	F4
R 5195	CHIPRES.	47k	1/16W	5%	RMC1/16 473JATP	J24185473		1-	A	C4
R 5197	CHIP CAP.	0.1uF	16V	B	GRM188B11C104KA01D	K22124805		41-	A	E3
R 5198	CHIPRES.	10k	1/16W	5%	RMC1/16 103JATP	J24185103		1-	A	F4
R 5199	CHIPRES.	15k	1/16W	5%	RMC1/16 153JATP	J24185153		1-	A	F4
R 5200	CHIPRES.	47k	1/16W	5%	RMC1/16 473JATP	J24185473		1-	A	C4
R 5201	CHIPRES.	0	1/16W	5%	RMC1/16 000JATP	J24185000		1-29	A	I1
R 5202	CHIPRES.	10k	1/16W	5%	RMC1/16 103JATP	J24185103		1-	A	F4
R 5204	CHIP CAP.	0.1uF	16V	B	GRM188B11C104KA01D	K22124805		41-	A	E3
R 5205	CHIPRES.	1.5k	1/16W	5%	RMC1/16 152JATP	J24185152		1-29	A	I1
R 5206	CHIPRES.	1.5k	1/16W	5%	RMC1/16 152JATP	J24185152		1-29	A	I1
R 5207	CHIPRES.	1.5k	1/16W	5%	RMC1/16 152JATP	J24185152		1-29	A	I1
R 5208	CHIPRES.	3.3k	1/16W	5%	RMC1/16 332JATP	J24185332		1-29	A	I1
R 5209	CHIPRES.	15k	1/16W	5%	RMC1/16 153JATP	J24185153		1-	A	F4
R 5211	CHIP CAP.	0.1uF	16V	B	GRM188B11C104KA01D	K22124805		41-	A	F3
R 5212	CHIPRES.	47k	1/16W	5%	RMC1/16 473JATP	J24185473		1-	A	G1
R 5213	CHIPRES.	15k	1/16W	5%	RMC1/16 153JATP	J24185153		1-	A	F4
R 5214	CHIPRES.	4.7k	1/16W	5%	RMC1/16 472JATP	J24185472		1-29	A	E1
R 5216	CHIP CAP.	0.1uF	16V	B	GRM188B11C104KA01D	K22124805		41-	A	E4
R 5217	CHIPRES.	4.7k	1/16W	5%	RMC1/16 472JATP	J24185472		1-	A	F2
R 5218	CHIPRES.	1.5k	1/16W	5%	RMC1/16 152JATP	J24185152		1-29	A	I2
R 5220	CHIP CAP.	0.1uF	16V	B	GRM188B11C104KA01D	K22124805		41-	A	F4
R 5221	CHIPRES.	4.7k	1/16W	5%	RMC1/16 472JATP	J24185472		1-	A	F2
R 5222	CHIPRES.	1.5k	1/16W	5%	RMC1/16 152JATP	J24185152		1-29	A	I2
R 5223	CHIPRES.	10k	1/16W	5%	RMC1/16 103JATP	J24185103		1-	A	G1
R 5224	CHIPRES.	1.5k	1/16W	5%	RMC1/16 152JATP	J24185152		1-29	A	I2
R 5225	CHIP CAP.	0.1uF	16V	B	GRM188B11C104KA01D	K22124805		41-	A	E3
R 5226	CHIP CAP.	0.1uF	16V	B	GRM188B11C104KA01D	K22124805		41-	A	E4
R 5227	CHIPRES.	1.5k	1/16W	5%	RMC1/16 152JATP	J24185152		1-29	A	I2
R 5228	CHIP CAP.	0.1uF	16V	B	GRM188B11C104KA01D	K22124805		41-	A	E3
R 5229	CHIP CAP.	0.1uF	16V	B	GRM188B11C104KA01D	K22124805		41-	A	E3
R 5230	CHIPRES.	1.5k	1/16W	5%	RMC1/16 152JATP	J24185152		1-29	A	I2
R 5231	CHIPRES.	3.3k	1/16W	5%	RMC1/16 332JATP	J24185332		1-29	A	I2
R 5233	CHIP CAP.	0.1uF	16V	B	GRM188B11C104KA01D	K22124805		41-	A	E4
R 5235	CHIP CAP.	0.1uF	16V	B	GRM188B11C104KA01D	K22124805		41-	A	E3
R 5236	CHIPRES.	4.7k	1/16W	5%	RMC1/16 472JATP	J24185472		1-	A	E2
R 5237	CHIP CAP.	0.1uF	16V	B	GRM188B11C104KA01D	K22124805		41-	A	E3
R 5238	CHIP CAP.	0.1uF	16V	B	GRM188B11C104KA01D	K22124805		41-	A	E3
R 5239	CHIP CAP.	0.1uF	16V	B	GRM188B11C104KA01D	K22124805		41-	A	E3
R 5240	CHIP CAP.	0.1uF	16V	B	GRM188B11C104KA01D	K22124805		41-	A	E4
R 5241	CHIPRES.	4.7k	1/16W	5%	RMC1/16 472JATP	J24185472		1-	A	E2
R 5242	CHIPRES.	220	1/16W	5%	RMC1/16 221JATP	J24185221		1-	A	F2
R 5243	CHIPRES.	4.7k	1/16W	5%	RMC1/16 472JATP	J24185472		1-	A	E2
R 5244	CHIP CAP.	0.1uF	16V	B	GRM188B11C104KA01D	K22124805		41-	A	D3
R 5246	CHIP CAP.	0.1uF	16V	B	GRM188B11C104KA01D	K22124805		41-	A	D3
R 5248	CHIPRES.	3.3k	1/16W	5%	RMC1/16 332JATP	J24185332		1-29	A	I2
R 5249	CHIPRES.	3.3k	1/16W	5%	RMC1/16 332JATP	J24185332		1-29	A	I2
R 5250	CHIPRES.	47k	1/16W	5%	RMC1/16 473JATP	J24185473		1-29	A	I2
R 5251	CHIPRES.	47k	1/16W	5%	RMC1/16 473JATP	J24185473		1-29	A	I2

# CNTL Unit

## Parts List

REF	DESCRIPTION	VALUE	V/W	TOL.	MFR'S DESIG	VXSTD P/N	VERS.	LOT	SIDE	LAY ADR
R 5252	CHIPRES.	47k	1/16W	5%	RMC1/16 473JATP	J24185473		1-29	A	I2
R 5253	CHIPRES.	47k	1/16W	5%	RMC1/16 473JATP	J24185473		1-29	A	I2
R 5254	CHIPRES.	47k	1/16W	5%	RMC1/16 473JATP	J24185473		1-29	A	I2
R 5255	CHIPRES.	47k	1/16W	5%	RMC1/16 473JATP	J24185473		1-29	A	I2
R 5256	CHIPRES.	47k	1/16W	5%	RMC1/16 473JATP	J24185473		1-29	A	I2
R 5257	CHIPRES.	47k	1/16W	5%	RMC1/16 473JATP	J24185473		1-29	A	H2
R 5258	CHIPRES.	10	1/16W	5%	RMC1/16 100JATP	J24185100		2-	A	C3
R 5259	CHIPRES.	4.7k	1/16W	5%	RMC1/16 472JATP	J24185472		1-	A	C2
R 5259	CHIPRES.	2.2k	1/16W	5%	RMC1/16 222JATP	J24185222		30-	A	C2
R 5260	CHIPRES.	4.7k	1/16W	5%	RMC1/16 472JATP	J24185472		1-	A	C2
R 5261	CHIPRES.	47k	1/16W	5%	RMC1/16 473JATP	J24185473		1-	A	D4
R 5262	CHIPRES.	22k	1/16W	5%	RMC1/16 223JATP	J24185223		1-	A	D2
R 5263	CHIPRES.	47k	1/16W	5%	RMC1/16 473JATP	J24185473		1-	A	D4
R 5264	CHIPRES.	0	1/16W	5%	RMC1/16 000JATP	J24185000		1-	A	C3
R 5264	CHIPRES.	220	1/16W	5%	RMC1/16 221JATP	J24185221		7-	A	C3
R 5265	CHIPRES.	10k	1/16W	5%	RMC1/16 103JATP	J24185103		1-29	A	F2
R 5266	CHIPRES.	20k	1/16W	1%	RMC1/16 203FTP	J24183203		1-29	A	F2
R 5267	CHIPRES.	47k	1/16W	5%	RMC1/16 473JATP	J24185473		1-	A	D4
R 5268	CHIPRES.	39k	1/16W	5%	RMC1/16 393JATP	J24185393		1-29	A	F2
R 5269	CHIPRES.	47k	1/16W	5%	RMC1/16 473JATP	J24185473		1-	A	D4
R 5270	CHIPRES.	4.7k	1/16W	5%	RMC1/16 472JATP	J24185472		1-	A	E3
R 5271	CHIPRES.	47k	1/16W	5%	RMC1/16 473JATP	J24185473		1-	A	D4
R 5272	CHIPRES.	4.7k	1/16W	5%	RMC1/16 472JATP	J24185472		1-	A	A1
R 5273	CHIPRES.	47k	1/16W	5%	RMC1/16 473JATP	J24185473		1-	A	D4
R 5274	CHIPRES.	47k	1/16W	5%	RMC1/16 473JATP	J24185473		1-	A	D4
R 5275	CHIPRES.	22k	1/16W	5%	RMC1/16 223JATP	J24185223		1-	A	D2
R 5276	CHIPRES.	47k	1/16W	5%	RMC1/16 473JATP	J24185473		1-	A	D4
R 5277	CHIPRES.	47k	1/16W	5%	RMC1/16 473JATP	J24185473		1-	A	D3
R 5278	CHIPRES.	47k	1/16W	5%	RMC1/16 473JATP	J24185473		1-	A	D3
R 5279	CHIPRES.	47k	1/16W	5%	RMC1/16 473JATP	J24185473		1-	A	D3
R 5280	CHIPRES.	10k	1/16W	5%	RMC1/16 103JATP	J24185103		1-	A	F1
R 5281	CHIPRES.	22k	1/16W	5%	RMC1/16 223JATP	J24185223		1-	A	D2
R 5282	CHIPRES.	82k	1/16W	5%	RMC1/16 823JATP	J24185823		1-29	A	E2
R 5283	CHIPRES.	150k	1/16W	5%	RMC1/16 154JATP	J24185154		1-29	A	E2
R 5284	CHIPRES.	47k	1/16W	5%	RMC1/16 473JATP	J24185473		1-	A	F2
R 5285	CHIPRES.	47k	1/16W	5%	RMC1/16 473JATP	J24185473		1-	A	F2
R 5286	CHIPRES.	100k	1/16W	5%	RMC1/16 104JATP	J24185104		1-	A	G1
R 5287	CHIPRES.	100k	1/16W	5%	RMC1/16 104JATP	J24185104		1-	A	G2
R 5288	CHIPRES.	10k	1/16W	5%	RMC1/16 103JATP	J24185103		1-	A	D1
R 5289	CHIPRES.	100k	1/16W	5%	RMC1/16 104JATP	J24185104		1-	A	G1
R 5290	CHIPRES.	100k	1/16W	5%	RMC1/16 104JATP	J24185104		1-	A	G2
R 5291	CHIPRES.	10k	1/16W	5%	RMC1/16 103JATP	J24185103		1-	A	D1
R 5292	CHIPRES.	10k	1/16W	5%	RMC1/16 103JATP	J24185103		1-29	A	F3
R 5293	CHIPRES.	100k	1/16W	5%	RMC1/16 104JATP	J24185104		1-	A	G1
R 5294	CHIPRES.	100k	1/16W	5%	RMC1/16 104JATP	J24185104		1-	A	G2
R 5295	CHIPRES.	10k	1/16W	5%	RMC1/16 103JATP	J24185103		1-	A	D2
R 5296	CHIPRES.	100k	1/16W	5%	RMC1/16 104JATP	J24185104		1-	A	G1
R 5297	CHIPRES.	100k	1/16W	5%	RMC1/16 104JATP	J24185104		1-	A	G2
R 5298	CHIPRES.	10k	1/16W	5%	RMC1/16 103JATP	J24185103		1-	A	D2
R 5299	CHIPRES.	22k	1/16W	5%	RMC1/16 223JATP	J24185223		1-	A	D2
R 5300	CHIPRES.	100k	1/16W	5%	RMC1/16 104JATP	J24185104		1-	A	G1
R 5301	CHIPRES.	100k	1/16W	5%	RMC1/16 104JATP	J24185104		1-	A	G2
R 5302	CHIPRES.	47k	1/16W	5%	RMC1/16 473JATP	J24185473		1-	A	D2
R 5303	CHIPRES.	47k	1/16W	5%	RMC1/16 473JATP	J24185473		1-	A	D2
R 5304	CHIPRES.	47k	1/16W	5%	RMC1/16 473JATP	J24185473		1-	A	D1
R 5305	CHIPRES.	47k	1/16W	5%	RMC1/16 473JATP	J24185473		1-	A	D1
R 5306	CHIPRES.	100k	1/16W	5%	RMC1/16 104JATP	J24185104		1-	A	G1
R 5307	CHIPRES.	100k	1/16W	5%	RMC1/16 104JATP	J24185104		1-	A	G2
R 5308	CHIPRES.	100k	1/16W	5%	RMC1/16 104JATP	J24185104		1-	A	G1
R 5309	CHIPRES.	100k	1/16W	5%	RMC1/16 104JATP	J24185104		1-	A	G2
R 5310	CHIPRES.	100k	1/16W	5%	RMC1/16 104JATP	J24185104		1-	A	G1
R 5311	CHIPRES.	100k	1/16W	5%	RMC1/16 104JATP	J24185104		1-	A	G2
R 5312	CHIPRES.	47k	1/16W	5%	RMC1/16 473JATP	J24185473		1-	A	D2
R 5313	CHIPRES.	47k	1/16W	5%	RMC1/16 473JATP	J24185473		1-	A	D2
R 5314	CHIPRES.	47k	1/16W	5%	RMC1/16 473JATP	J24185473		1-	A	D1
R 5315	CHIPRES.	47k	1/16W	5%	RMC1/16 473JATP	J24185473		1-	A	D1
R 5316	CHIPRES.	10k	1/16W	5%	RMC1/16 103JATP	J24185103		1-	A	D2
R 5317	CHIPRES.	10k	1/16W	5%	RMC1/16 103JATP	J24185103		1-	A	D2
R 5318	CHIPRES.	10k	1/16W	5%	RMC1/16 103JATP	J24185103		1-	A	D1
R 5319	CHIPRES.	10k	1/16W	5%	RMC1/16 103JATP	J24185103		1-	A	D1
R 5323	CHIPRES.	0	1/8W	5%	RMC1/8T 000J	J24215000		1	A	J3
R 5324	CHIPRES.	3.3k	1/16W	5%	RMC1/16 332JATP	J24185332		1-	A	E2
R 5326	CHIPRES.	47k	1/16W	5%	RMC1/16 473JATP	J24185473		1-	A	F2

# CNTL Unit

## Parts List

REF	DESCRIPTION	VALUE	V/W	TOL.	MFR'S DESIG	VXSTD P/N	VERS.	LOT	SIDE	LAY ADR
R 5327	CHIPRES.	47k	1/16W	5%	RMC1/16 473JATP	J24185473		1-	A	E3
R 5328	CHIPRES.	15k	1/16W	5%	RMC1/16 153JATP	J24185153		1-29	A	G1
R 5329	CHIPRES.	15k	1/16W	5%	RMC1/16 153JATP	J24185153		1		
R 5330	CHIPRES.	15k	1/16W	5%	RMC1/16 153JATP	J24185153		1		
R 5331	CHIPRES.	15k	1/16W	5%	RMC1/16 153JATP	J24185153		1		
R 5332	CHIPRES.	6.8k	1/16W	5%	RMC1/16 682JATP	J24185682		1		
R 5339	CHIPRES.	4.7k	1/10W	0.5%	RR1220P-472-D-T5	J24209187		1-	A	C4
R 5340	CHIPRES.	3.9	1W	5%	RMC13R9JTE	J24305399		1-	A	B4
R 5341	CHIPRES.	3.9	1W	5%	RMC13R9JTE	J24305399		1-	A	B3
R 5342	CHIPRES.	3.9	1W	5%	RMC13R9JTE	J24305399		1-	A	B4
R 5343	CHIPRES.	3.9	1W	5%	RMC13R9JTE	J24305399		1-	A	B3
R 5344	CHIPRES.	100k	1/16W	5%	RMC1/16 104JATP	J24185104		1-	A	H3
R 5345	CHIPRES.	100k	1/16W	5%	RMC1/16 104JATP	J24185104		1-	A	H3
R 5346	CHIPRES.	4.7k	1/16W	5%	RMC1/16 472JATP	J24185472		1-	A	G3
R 5348	CHIPRES.	100k	1/16W	5%	RMC1/16 104JATP	J24185104		1-	A	H3
R 5349	CHIPRES.	3.3k	1/16W	5%	RMC1/16 332JATP	J24185332		1-29	A	G2
R 5350	CHIPRES.	15k	1/16W	5%	RMC1/16 153JATP	J24185153		1-29	A	G2
R 5352	CHIPRES.	2.7k	1/16W	5%	RMC1/16 272JATP	J24185272		1-29	A	H1
R 5353	CHIPRES.	2.7k	1/16W	5%	RMC1/16 272JATP	J24185272		1-29	A	H1
R 5354	CHIPRES.	2.7k	1/16W	5%	RMC1/16 272JATP	J24185272		1-29	A	H2
R 5355	CHIPRES.	2.7k	1/16W	5%	RMC1/16 272JATP	J24185272		1-29	A	H2
R 5356	CHIPRES.	2.7k	1/16W	5%	RMC1/16 272JATP	J24185272		1-29	A	H2
R 5357	CHIPRES.	2.7k	1/16W	5%	RMC1/16 272JATP	J24185272		1-29	A	H2
R 5358	CHIPRES.	2.7k	1/16W	5%	RMC1/16 272JATP	J24185272		1-29	A	H2
R 5359	CHIPRES.	2.7k	1/16W	5%	RMC1/16 272JATP	J24185272		1-29	A	H2
R 5360	CHIPRES.	4.7k	1/16W	5%	RMC1/16 472JATP	J24185472		1-29	A	G2
R 5361	CHIPRES.	4.7k	1/16W	5%	RMC1/16 472JATP	J24185472		1-29	A	H2
R 5362	CHIPRES.	4.7k	1/16W	5%	RMC1/16 472JATP	J24185472		1-29	A	H2
R 5363	CHIPRES.	4.7k	1/16W	5%	RMC1/16 472JATP	J24185472		1-29	A	I2
R 5364	CHIPRES.	4.7k	1/16W	5%	RMC1/16 472JATP	J24185472		1-29	A	H2
R 5365	CHIPRES.	4.7k	1/16W	5%	RMC1/16 472JATP	J24185472		1-29	A	I2
R 5366	CHIPRES.	4.7k	1/16W	5%	RMC1/16 472JATP	J24185472		1-29	A	H2
R 5367	CHIPRES.	4.7k	1/16W	5%	RMC1/16 472JATP	J24185472		1-29	A	I2
R 5368	CHIPRES.	4.7k	1/16W	5%	RMC1/16 472JATP	J24185472		1-29	A	F1
R 5369	CHIPRES.	1	1/10W	5%	RMC1/10T 1R0J	J24205010		1-	A	B1
R 5370	CHIPRES.	1	1/10W	5%	RMC1/10T 1R0J	J24205010		1-	A	B1
R 5371	CHIPRES.	0	1/16W	5%	RMC1/16 000JATP	J24185000		1	A	I3
R 5372	CHIPRES.	0	1/16W	5%	RMC1/16 000JATP	J24185000		1	A	H3
R 5373	CHIPRES.	1	1W	5%	RMC1 1R0JTE	J24305010		2-	A	A2
R 5374	CHIPRES.	1	1W	5%	RMC1 1R0JTE	J24305010		2-	A	A2
R 5376	CHIPRES.	4.7k	1/16W	5%	RMC1/16 472JATP	J24185472		2-	A	H2
R 5377	CHIPRES.	1k	1/16W	5%	RMC1/16 102JATP	J24185102		2-	A	F1
R 5378	CHIPRES.	470	1/16W	5%	RMC1/16 471JATP	J24185471		4-	A	A3
R 5379	CHIPRES.	0	1/16W	5%	RMC1/16 000JATP	J24185000		4-	A	C3
R 5380	CHIPRES.	0	1/16W	5%	RMC1/16 000JATP	J24185000		4-	A	I4
R 5383	CHIPRES.	470	1/16W	5%	RMC1/16 471JATP	J24185471		3-	A	E1
R 5384	CHIPRES.	1k	1/16W	5%	RMC1/16 102JATP	J24185102		30-	A	B1
R 5385	CHIPRES.	1k	1/16W	5%	RMC1/16 102JATP	J24185102		30-	A	B1
R 5386	CHIPRES.	22k	1/16W	5%	RMC1/16 223JATP	J24185223		30-	A	E2
R 5388	CHIPRES.	22k	1/16W	5%	RMC1/16 223JATP	J24185223		30-	A	E2
R 5390	CHIPRES.	0	1/16W	5%	RMC1/16 000JATP	J24185000		30-	A	D2
R 5391	CHIPRES.	0	1/16W	5%	RMC1/16 000JATP	J24185000		30-	A	D1
R 5392	CHIPRES.	0	1/16W	5%	RMC1/16 000JATP	J24185000		30-	A	E3
R 5393	CHIPRES.	0	1/16W	5%	RMC1/16 000JATP	J24185000		30-	A	E3
R 5394	CHIPRES.	100k	1/16W	5%	RMC1/16 104JATP	J24185104		30-	A	E3
R 5395	CHIPRES.	4.7k	1/16W	5%	RMC1/16 472JATP	J24185472		30-	A	E2
R 5396	CHIPRES.	0	1/16W	5%	RMC1/16 000JATP	J24185000		30-	A	F1
R 5397	CHIPRES.	0	1/16W	5%	RMC1/16 000JATP	J24185000		30-	A	F2
R 5398	CHIPRES.	10	1/16W	5%	RMC1/16 100JATP	J24185100		30-29A		C2
R 5401	CHIPRES.	0	1/16W	5%	RMC1/16 000JATP	J24185000		30-	A	E2
R 5403	CHIPRES.	4.7k	1/16W	5%	RMC1/16 472JATP	J24185472		30-	A	F2
R 5404	CHIPRES.	4.7k	1/16W	5%	RMC1/16 472JATP	J24185472		30-	A	F2
R 5405	CHIPRES.	4.7k	1/16W	5%	RMC1/16 472JATP	J24185472		30-	A	F2
R 5406	CHIPRES.	4.7k	1/16W	5%	RMC1/16 472JATP	J24185472		30-	A	F2
R 5407	CHIPRES.	4.7k	1/16W	5%	RMC1/16 472JATP	J24185472		30-	A	F2
R 5408	CHIPRES.	4.7k	1/16W	5%	RMC1/16 472JATP	J24185472		30-	A	F2
R 5410	CHIPRES.	100k	1/16W	5%	RMC1/16 104JATP	J24185104		30-	A	F3
R 5412	CHIPRES.	0	1/16W	5%	RMC1/16 000JATP	J24185000		30-	A	H2
R 5413	CHIPRES.	0	1/16W	5%	RMC1/16 000JATP	J24185000		30-	A	I1
R 5414	CHIPRES.	0	1/16W	5%	RMC1/16 000JATP	J24185000		30-	A	I1
R 5417	CHIPRES.	470	1/16W	5%	RMC1/16 471JATP	J24185471		30-	A	C4
R 5418	CHIPRES.	100k	1/16W	5%	RMC1/16 104JATP	J24185104		30-	A	H2
R 5419	CHIPRES.	100k	1/16W	5%	RMC1/16 104JATP	J24185104		30-	A	H2

# CNTL Unit

## Parts List

REF	DESCRIPTION	VALUE	V/W	TOL.	MFR'S DESIG	VXSTD P/N	VERS.	LOT	SIDE	LAY ADR
R 5420	CHIPRES.	100k	1/16W	5%	RMC1/16 104JATP	J24185104		30-	A	E2
R 5421	CHIPRES.	100k	1/16W	5%	RMC1/16 104JATP	J24185104		30-	A	E2
R 5423	CHIPRES.	100k	1/16W	5%	RMC1/16 104JATP	J24185104		30-	A	D2
R 5427	CHIPRES.	100k	1/16W	5%	RMC1/16 104JATP	J24185104		30-	A	F2
R 5428	CHIPRES.	22k	1/16W	5%	RMC1/16 223JATP	J24185223		30-	A	H2
R 5433	CHIPRES.	10k	1/16W	5%	RMC1/16 103JATP	J24185103		30-	A	F2
R 5433	CHIPRES.	47k	1/16W	5%	RMC1/16 473JATP	J24185473		46-	A	F2
R 5434	CHIPRES.	10k	1/16W	5%	RMC1/16 103JATP	J24185103		30-	A	F2
R 5434	CHIPRES.	47k	1/16W	5%	RMC1/16 473JATP	J24185473		46-	A	F2
R 5435	CHIPRES.	10k	1/16W	5%	RMC1/16 103JATP	J24185103		30-	A	F2
R 5435	CHIPRES.	47k	1/16W	5%	RMC1/16 473JATP	J24185473		46-	A	F2
R 5436	CHIPRES.	10k	1/16W	5%	RMC1/16 103JATP	J24185103		30-	A	F2
R 5436	CHIPRES.	47k	1/16W	5%	RMC1/16 473JATP	J24185473		46-	A	F2
R 5437	CHIPRES.	10k	1/16W	5%	RMC1/16 103JATP	J24185103		30-	A	F2
R 5437	CHIPRES.	47k	1/16W	5%	RMC1/16 473JATP	J24185473		46-	A	F2
R 5438	CHIPRES.	10k	1/16W	5%	RMC1/16 103JATP	J24185103		30-	A	F2
R 5438	CHIPRES.	47k	1/16W	5%	RMC1/16 473JATP	J24185473		46-	A	F2
R 5439	CHIPRES.	10k	1/16W	5%	RMC1/16 103JATP	J24185103		30-	A	F1
R 5439	CHIPRES.	47k	1/16W	5%	RMC1/16 473JATP	J24185473		46-	A	F1
R 5440	CHIPRES.	10k	1/16W	5%	RMC1/16 103JATP	J24185103		30-	A	F2
R 5440	CHIPRES.	47k	1/16W	5%	RMC1/16 473JATP	J24185473		30-	A	F2
R 5441	CHIPRES.	10k	1/16W	5%	RMC1/16 103JATP	J24185103		30-	A	F2
R 5441	CHIPRES.	47k	1/16W	5%	RMC1/16 473JATP	J24185473		46-	A	F2
R 5442	CHIPRES.	1k	1/16W	5%	RMC1/16 102JATP	J24185102		30-	A	F2
R 5443	CHIPRES.	1k	1/16W	5%	RMC1/16 102JATP	J24185102		30-	A	F2
R 5444	CHIPRES.	1k	1/16W	5%	RMC1/16 102JATP	J24185102		30-	A	F2
R 5445	CHIPRES.	1k	1/16W	5%	RMC1/16 102JATP	J24185102		30-	A	F2
R 5446	CHIPRES.	1k	1/16W	5%	RMC1/16 102JATP	J24185102		30-	A	F2
R 5447	CHIPRES.	1k	1/16W	5%	RMC1/16 102JATP	J24185102		30-	A	F2
R 5448	CHIPRES.	1k	1/16W	5%	RMC1/16 102JATP	J24185102		30-	A	F1
R 5449	CHIPRES.	1k	1/16W	5%	RMC1/16 102JATP	J24185102		30-	A	F2
R 5450	CHIPRES.	1k	1/16W	5%	RMC1/16 102JATP	J24185102		30-	A	F2
R 5451	CHIPRES.	0	1/16W	5%	RMC1/16 000JATP	J24185000		30-	A	F1
R 5452	CHIPRES.	0	1/16W	5%	RMC1/16 000JATP	J24185000		30-	A	F3
R 5453	CHIPRES.	0	1/16W	5%	RMC1/16 000JATP	J24185000		30-	A	F3
R 5454	CHIPRES.	0	1/16W	5%	RMC1/16 000JATP	J24185000		30-	A	I2
R 5455	CHIPRES.	0	1/16W	5%	RMC1/16 000JATP	J24185000		30-	A	H1
R 5456	CHIPRES.	0	1/16W	5%	RMC1/16 000JATP	J24185000		30-	A	I1
R 5457	CHIPRES.	0	1/16W	5%	RMC1/16 000JATP	J24185000		30-	A	G3
R 5458	CHIPRES.	0	1/16W	5%	RMC1/16 000JATP	J24185000		30-	A	G3
R 5460	CHIPRES.	0	1/16W	5%	RMC1/16 000JATP	J24185000		30-	A	B2
R 5462	CHIPRES.	0	1/16W	5%	RMC1/16 000JATP	J24185000		30-	A	C4
R 5499	CARBON FILM RES.	1k	1/6W	5%	RD16PJ102 1K	J01225102		1		
S 5001	SLIDE SWITCH				SSSS820201	N6090107		1-	A	B3
VR5001	POT.	10k			EVN-5ESX50B14	J51811103		1	A	D1
VR5001	POT.	1M			EVN-5ESX50B16	J51811105		2-	A	D1
VR5001	POT.	1M			EVN-DCAA03B16 1M	J50784105		4-	A	D1
VR5002	POT.	10k			EVN-5ESX50B14	J51811103		1	A	D1
VR5002	POT.	1M			EVN-5ESX50B16	J51811105		2-	A	D1
VR5002	POT.	1M			EVN-DCAA03B16 1M	J50784105		4-	A	D1
VR5003	POT.	4.7k			EVN-5ESX50BQ3	J51811472		1	A	B4
VR5004	POT.	4.7k			EVN-5ESX50BQ3	J51811472		1	A	B4
X 5001	XTAL XJCGGC	24MHz			24.000000MHz	H0103308		1-29	A	H1
X 5002	XTAL XJCGGC	24MHz			24.000000MHz	H0103308		1-29	A	I1
X 5003	XTAL SD3	16.5MHz			16.500000MHz	H0103286		1-	A	F2
X 5003	XTAL SMD-49	11.1MHz			11.10MHz	H0103321		30-	A	F2
X 5004	XTAL XJCGGC	4.9152MHz			4.9152MHz	H0103310		1-29	A	C2
Y 5000	THERMAL CONDUCTOR				30F-TO-220	Q9000192		1		
	LOCK PLATE					RA0423200		1-		

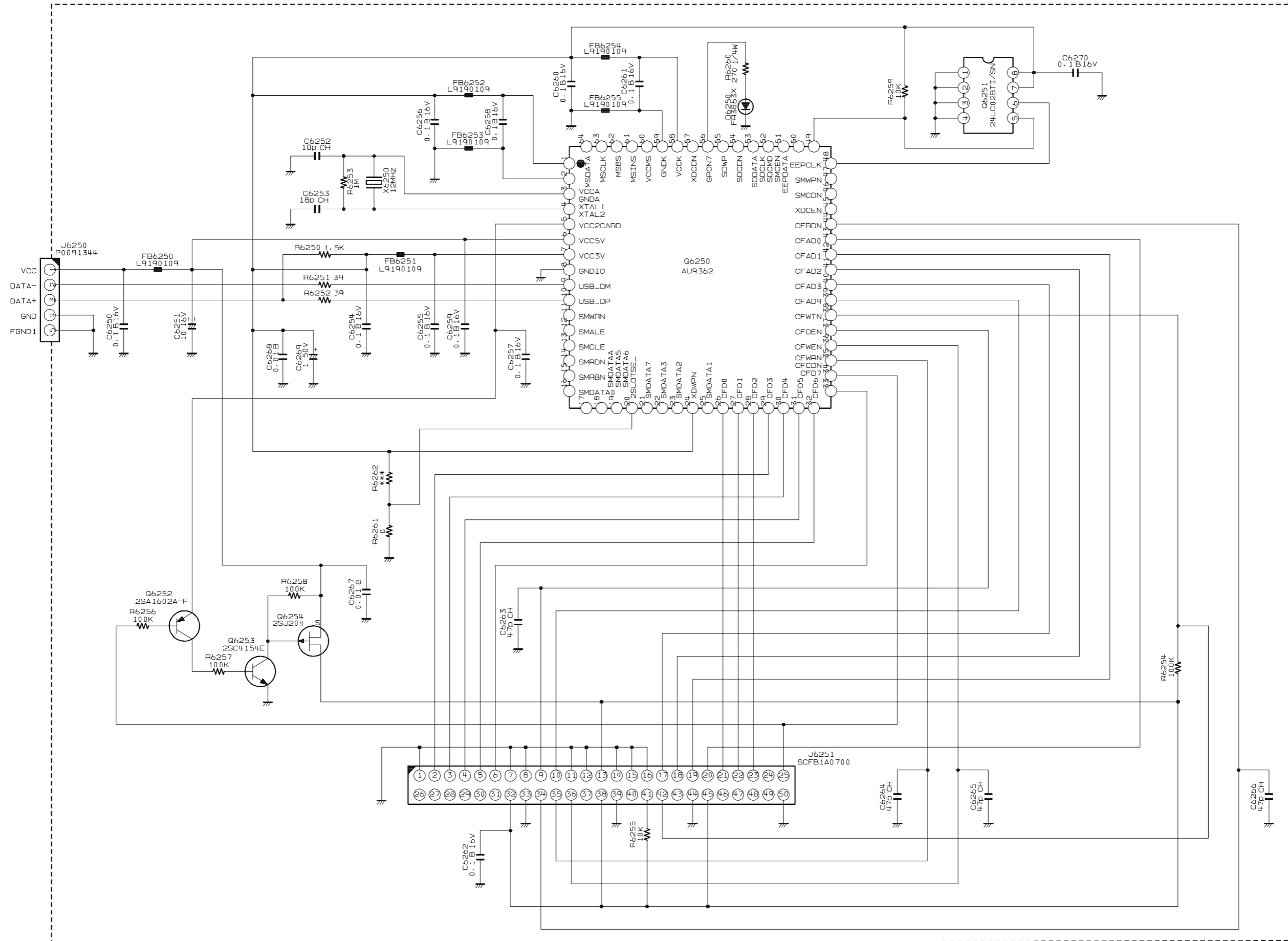


# *CNTL Unit*

*Note*

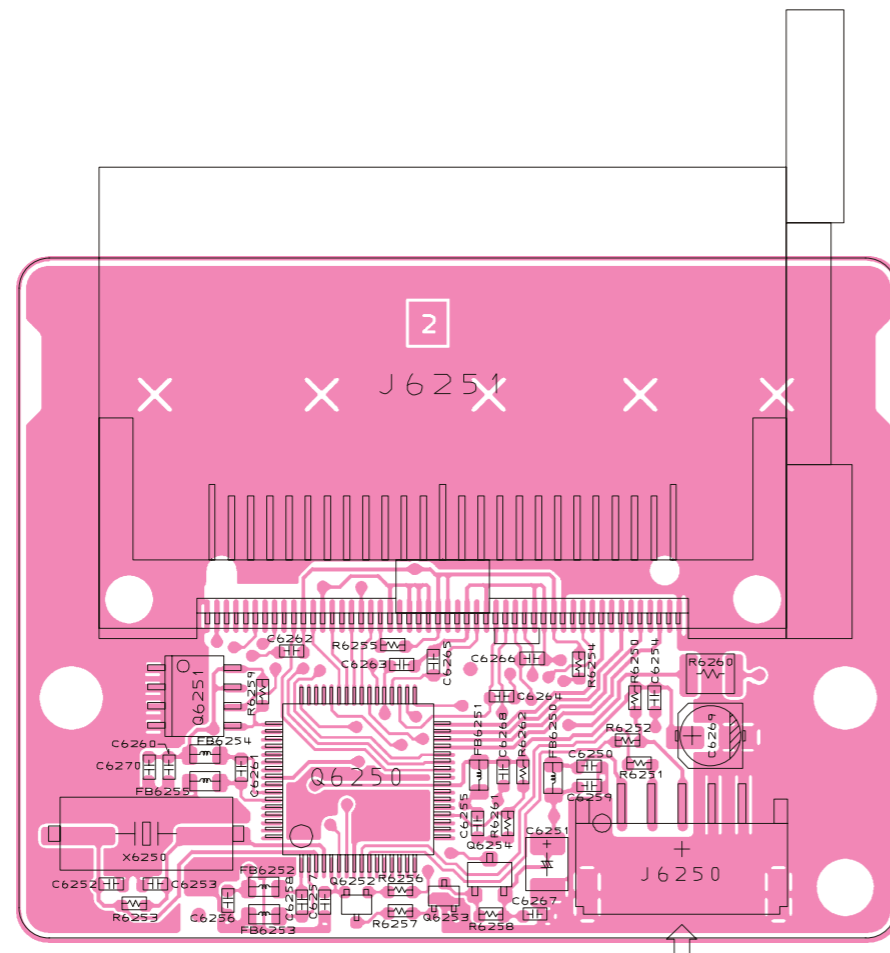
# MEMORY Unit (D, MP Type, DMU-9000)

## Circuit Diagram (Lot.1~7)

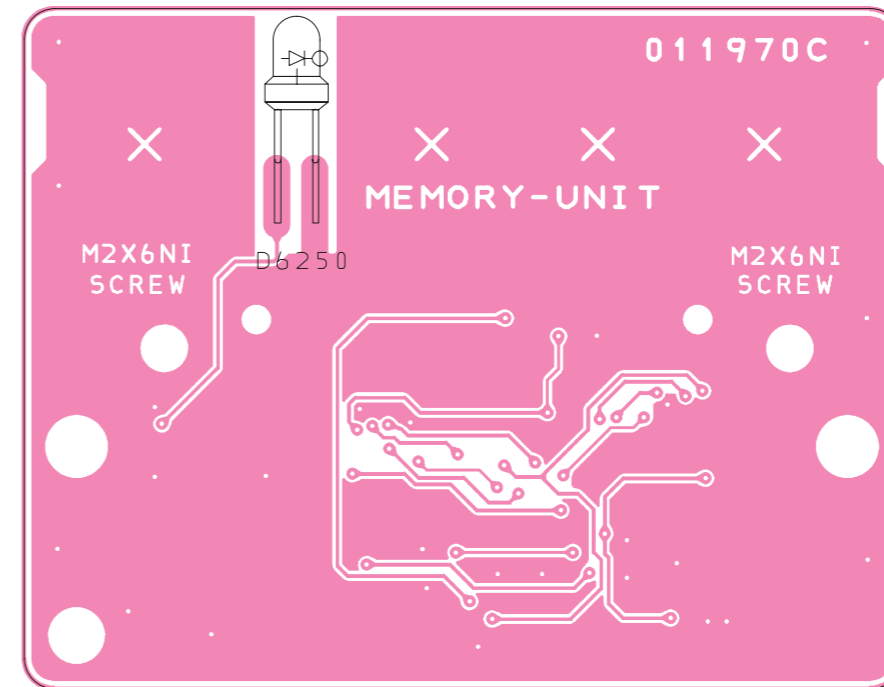


***MEMORY Unit (D, MP Type, DMU-9000)***

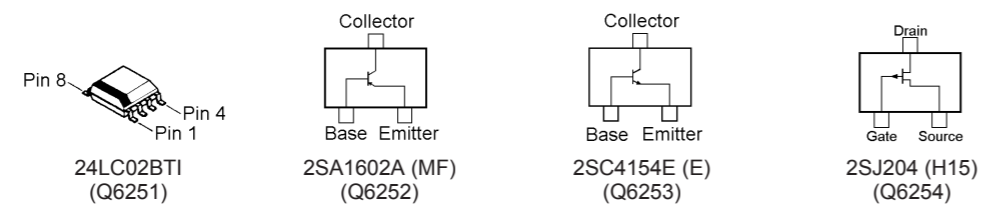
*Note*



Side A

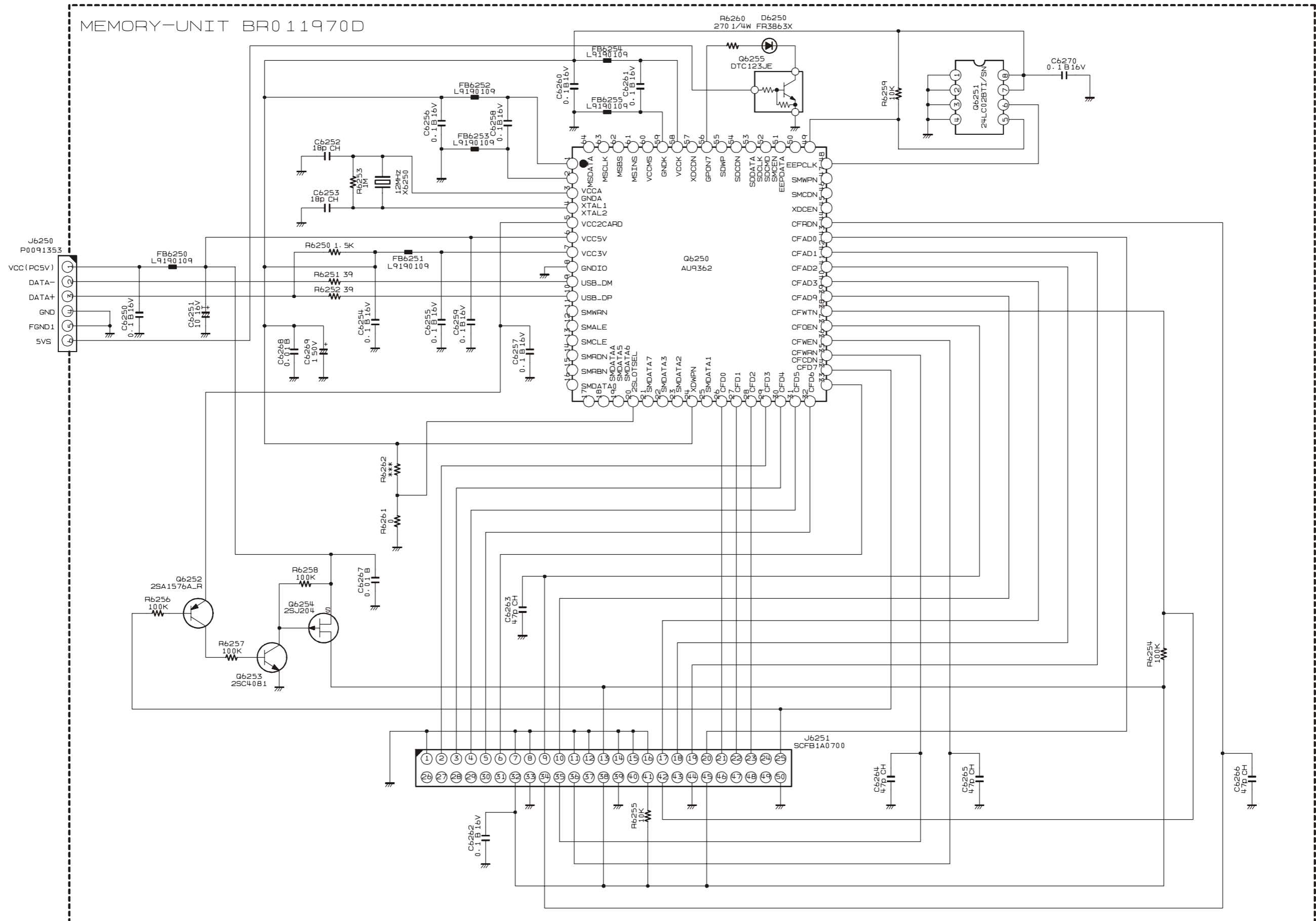


Side B



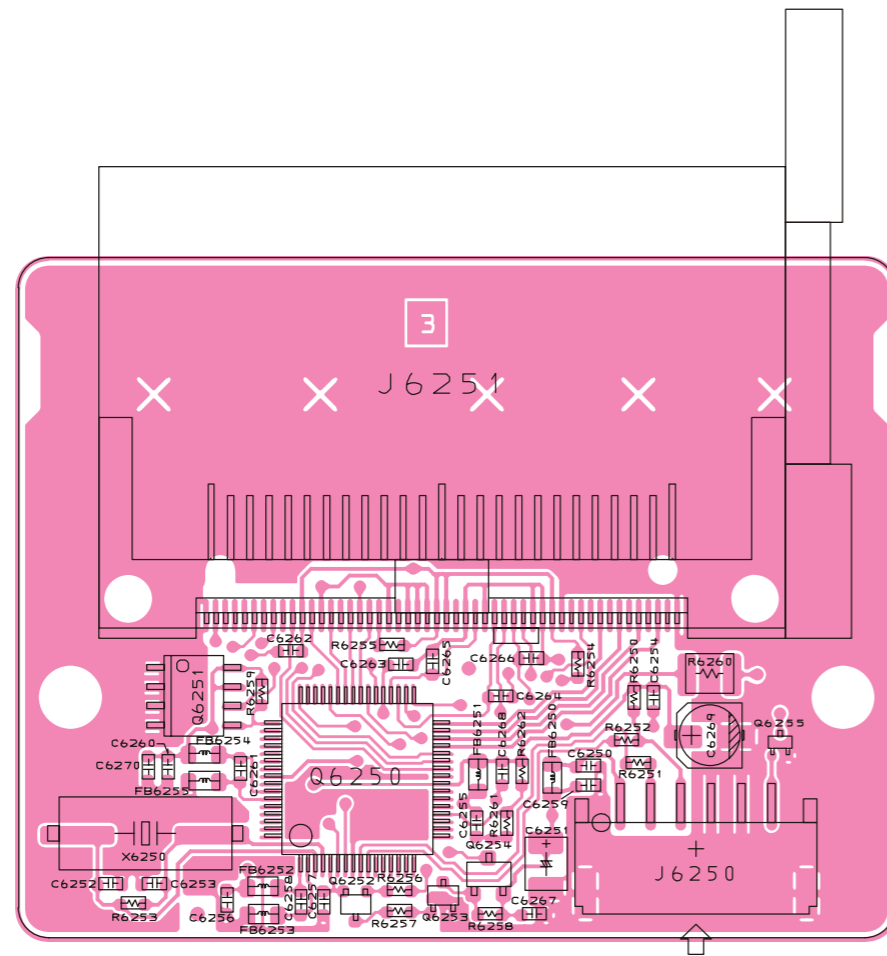
***MEMORY Unit (D, MP Type, DMU-9000)***

***Note***

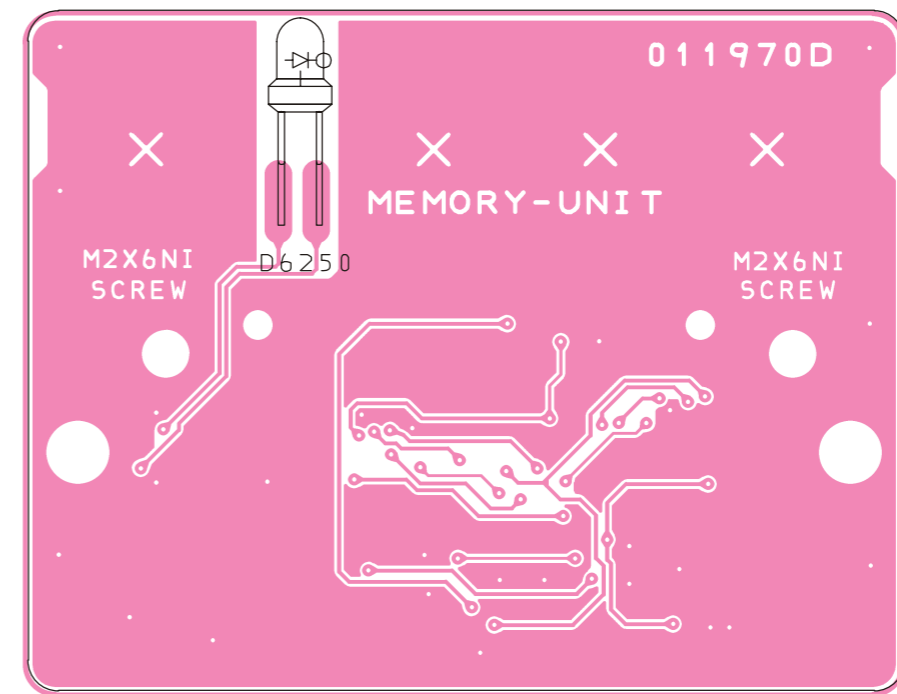


*MEMORY Unit (D, MP Type, DMU-9000)*

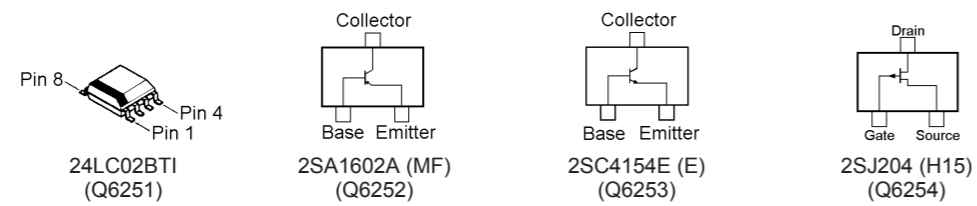
*Note*



Side A



Side B





*MEMORY Unit (D, MP Type, DMU-9000)*

*Note*

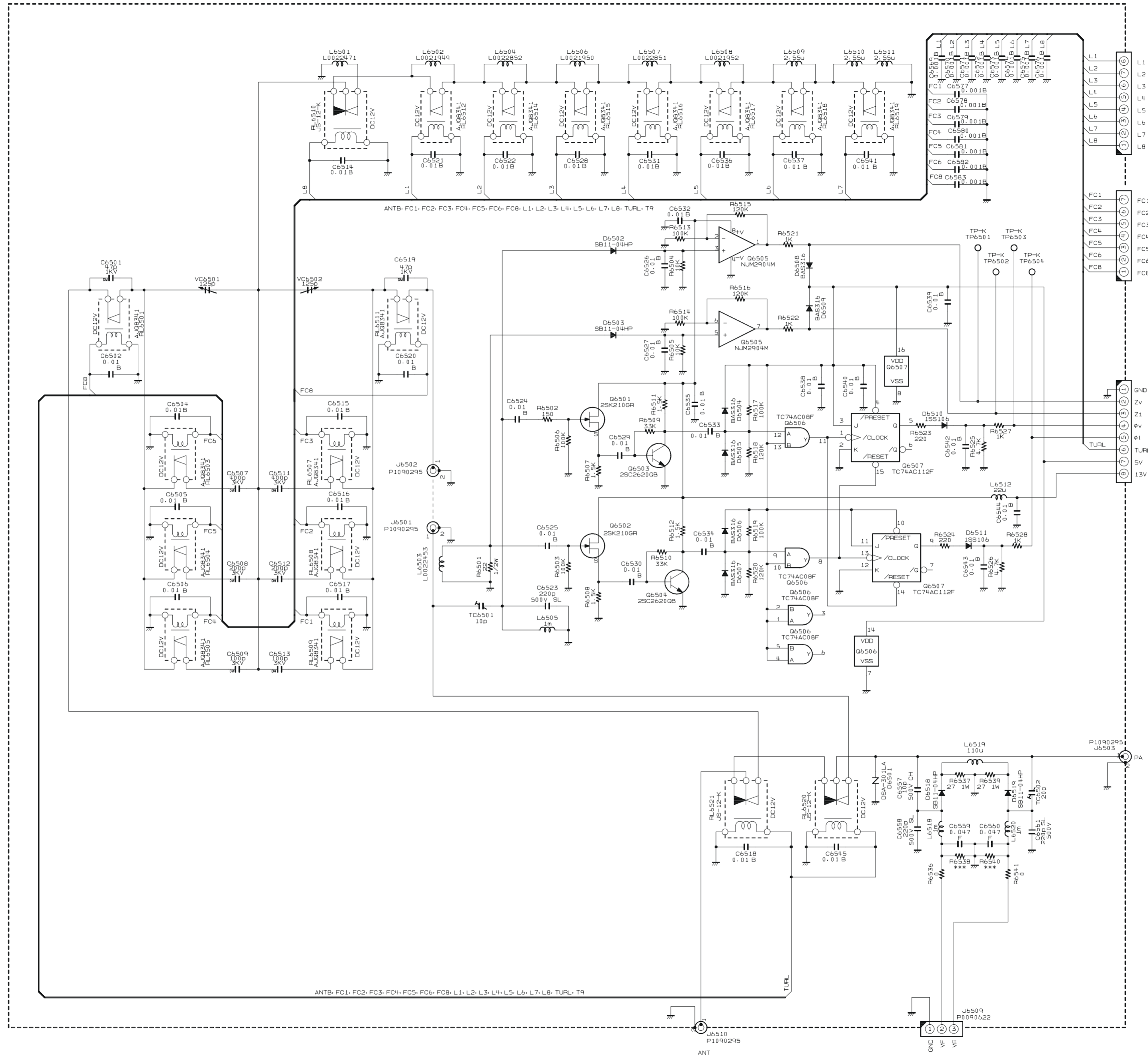
# MEMORY Unit

## Parts List

REF	DESCRIPTION	VALUE	V/W	TOL.	MFR'S DESIG	YAESU P/N	VERS.	LOT	SIDE	LAY ADR
PCB with Components						CB2857001	MEM:ON	1-15		
						CB2857002	MEM:ON,CE:OFF	16-		
						CB2857003	MEM:ON,CE:ON	16-		
C 6250	CHIP CAP.	0.1uF	16V	B	GRM188B11C104KA01D	K22124805		1-	A	
C 6251	CHIP TA.CAP.	10uF	16V		TEESVB21C106M8R	K78120025		1-	A	
C 6252	CHIP CAP.	18pF	50V	CH	GRM1882C1H180JA01D	K22174217		1-	A	
C 6253	CHIP CAP.	18pF	50V	CH	GRM1882C1H180JA01D	K22174217		1-	A	
C 6254	CHIP CAP.	0.1uF	16V	B	GRM188B11C104KA01D	K22124805		1-	A	
C 6255	CHIP CAP.	0.1uF	16V	B	GRM188B11C104KA01D	K22124805		1-	A	
C 6256	CHIP CAP.	0.1uF	16V	B	GRM188B11C104KA01D	K22124805		1-	A	
C 6257	CHIP CAP.	0.1uF	16V	B	GRM188B11C104KA01D	K22124805		1-	A	
C 6258	CHIP CAP.	0.1uF	16V	B	GRM188B11C104KA01D	K22124805		1-	A	
C 6259	CHIP CAP.	0.1uF	16V	B	GRM188B11C104KA01D	K22124805		1-	A	
C 6260	CHIP CAP.	0.1uF	16V	B	GRM188B11C104KA01D	K22124805		1-	A	
C 6261	CHIP CAP.	0.1uF	16V	B	GRM188B11C104KA01D	K22124805		1-	A	
C 6262	CHIP CAP.	0.1uF	16V	B	GRM188B11C104KA01D	K22124805		1-	A	
C 6263	CHIP CAP.	47pF	50V	CH	GRM1882C1H470JA01D	K22174227		1-	A	
C 6264	CHIP CAP.	47pF	50V	CH	GRM1882C1H470JA01D	K22174227		1-	A	
C 6265	CHIP CAP.	47pF	50V	CH	GRM1882C1H470JA01D	K22174227		1-	A	
C 6266	CHIP CAP.	47pF	50V	CH	GRM1882C1H470JA01D	K22174227		1-	A	
C 6267	CHIP CAP.	0.01uF	50V	B	GRM188B11H103KA01D	K22174823		1-	A	
C 6268	CHIP CAP.	0.01uF	50V	B	GRM188B11H103KA01D	K22174823		1-	A	
C 6269	AL.ELECTRO.CAP.	1uF	50V		ECEV1HA010SR	K48170019		1-15	A	
C 6269	AL.ELECTRO.CAP.	1uF	50V		EEE1HA010SR	K48170027	W/ CE LABEL	16-22	A	
C 6269	AL.ELECTRO.CAP.	1uF	50V		ECEV1HA010SR	K48170019	W/O CE LABEL	16-22	A	
C 6269	AL.ELECTRO.CAP.	1uF	50V		EEE1HA010SR	K48170027		23-	A	
C 6270	CHIP CAP.	0.1uF	16V	B	GRM188B11C104KA01D	K22124805		1-	A	
D 6250	LED				FR3863X	G2090766		1-	B	
FB6250	FERRITE BEADS				BLM21AJ601SN1D	L9190109		1-	A	
FB6251	FERRITE BEADS				BLM21AJ601SN1D	L9190109		1-	A	
FB6252	FERRITE BEADS				BLM21AJ601SN1D	L9190109		1-	A	
FB6253	FERRITE BEADS				BLM21AJ601SN1D	L9190109		1-	A	
FB6254	FERRITE BEADS				BLM21AJ601SN1D	L9190109		1-	A	
FB6255	FERRITE BEADS				BLM21AJ601SN1D	L9190109		1-	A	
J 6250	CONNECTOR				S5B-PH-SM4-TB(LF)(SN)	P0091344		1-	A	
J 6250	CONNECTOR				S6B-PH-SM4-TB(LF)(SN)	P0091353		9-	A	
J 6251	CONNECTOR				SCFB1A0700	P0091393		1-	A	
Q 6250	IC				AU9362	G1094050		1-	A	
Q 6251	IC				24LC02BTI/SN(Ä°ËËÝ, ß)	G1092237		1-	A	
Q 6252	TRANSISTOR				2SA1602A-T111-1F	G3116028F		1-	A	
Q 6252	TRANSISTOR				ISA1602AM1-T111-1F	G3070380		23-	A	
Q 6252	TRANSISTOR				2SA1576A T106 R	G3115768R		29-	A	
Q 6253	TRANSISTOR				2SC4154-T111-1E	G3341548E		1-	A	
Q 6253	TRANSISTOR				2SC4081 T106	G3340818		29-	A	
Q 6254	FET				2SJ204-T1B	G3702048		1-	A	
Q 6255	TRANSISTOR				DTC123JE TL	G3070323		9-	A	
R 6250	CHIP RES.	1.5k	1/16W	5%	RMC1/16 152JATP	J24185152		1-	A	
R 6251	CHIP RES.	39	1/16W	5%	RMC1/16 390JATP	J24185390		1-	A	
R 6252	CHIP RES.	39	1/16W	5%	RMC1/16 390JATP	J24185390		1-	A	
R 6253	CHIP RES.	1M	1/16W	5%	RMC1/16 105JATP	J24185105		1-	A	
R 6254	CHIP RES.	100k	1/16W	5%	RMC1/16 104JATP	J24185104		1-	A	
R 6255	CHIP RES.	10k	1/16W	5%	RMC1/16 103JATP	J24185103		1-	A	
R 6256	CHIP RES.	100k	1/16W	5%	RMC1/16 104JATP	J24185104		1-	A	
R 6257	CHIP RES.	100k	1/16W	5%	RMC1/16 104JATP	J24185104		1-	A	
R 6258	CHIP RES.	100k	1/16W	5%	RMC1/16 104JATP	J24185104		1-	A	
R 6259	CHIP RES.	10k	1/16W	5%	RMC1/16 103JATP	J24185103		1-	A	
R 6260	CHIP RES.	270	1/4W	5%	RMC1/4 271JATP	J24245271		1-	A	
R 6261	CHIP RES.	0	1/16W	5%	RMC1/16 000JATP	J24185000		1-	A	
X 6250	XTAL SX-1302	12MHZ			(HDA2810) 12MHZ	H0103299		1-	A	
X 6250	XTAL HC-49/U	12MHZ			SMD(4.3H)12.00M	H0103358		28-	A	
	EJECTOR				SCFB2A0500	S5000250		1-		
	LED SPACER				LA-5-4	S6000417		3-		

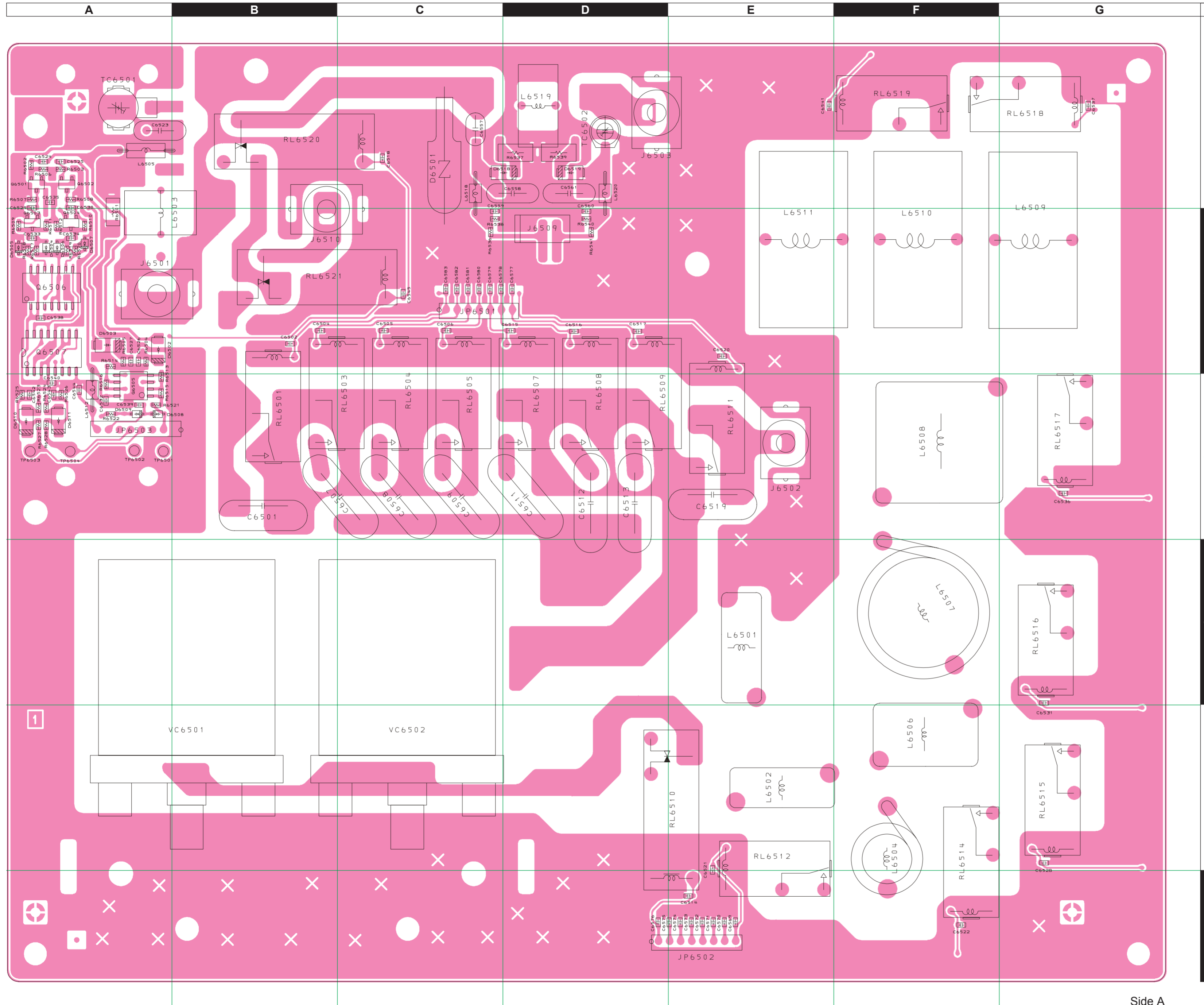
# *MEMORY Unit*

*Note*

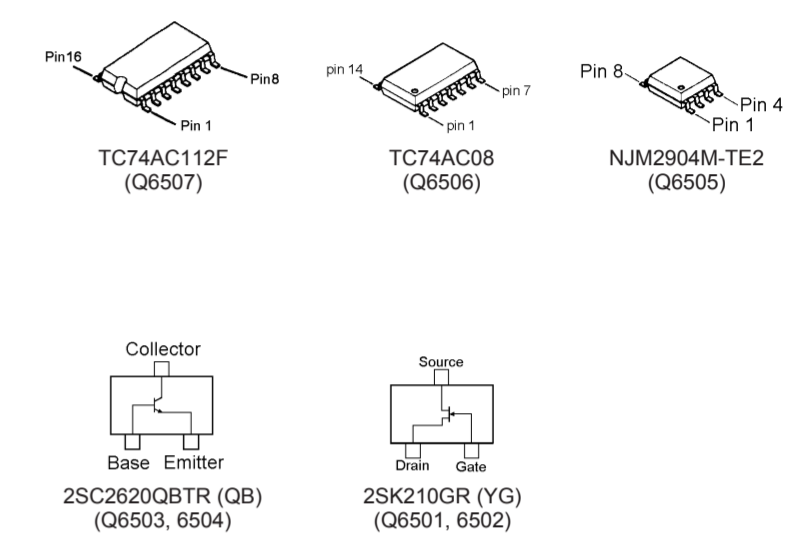


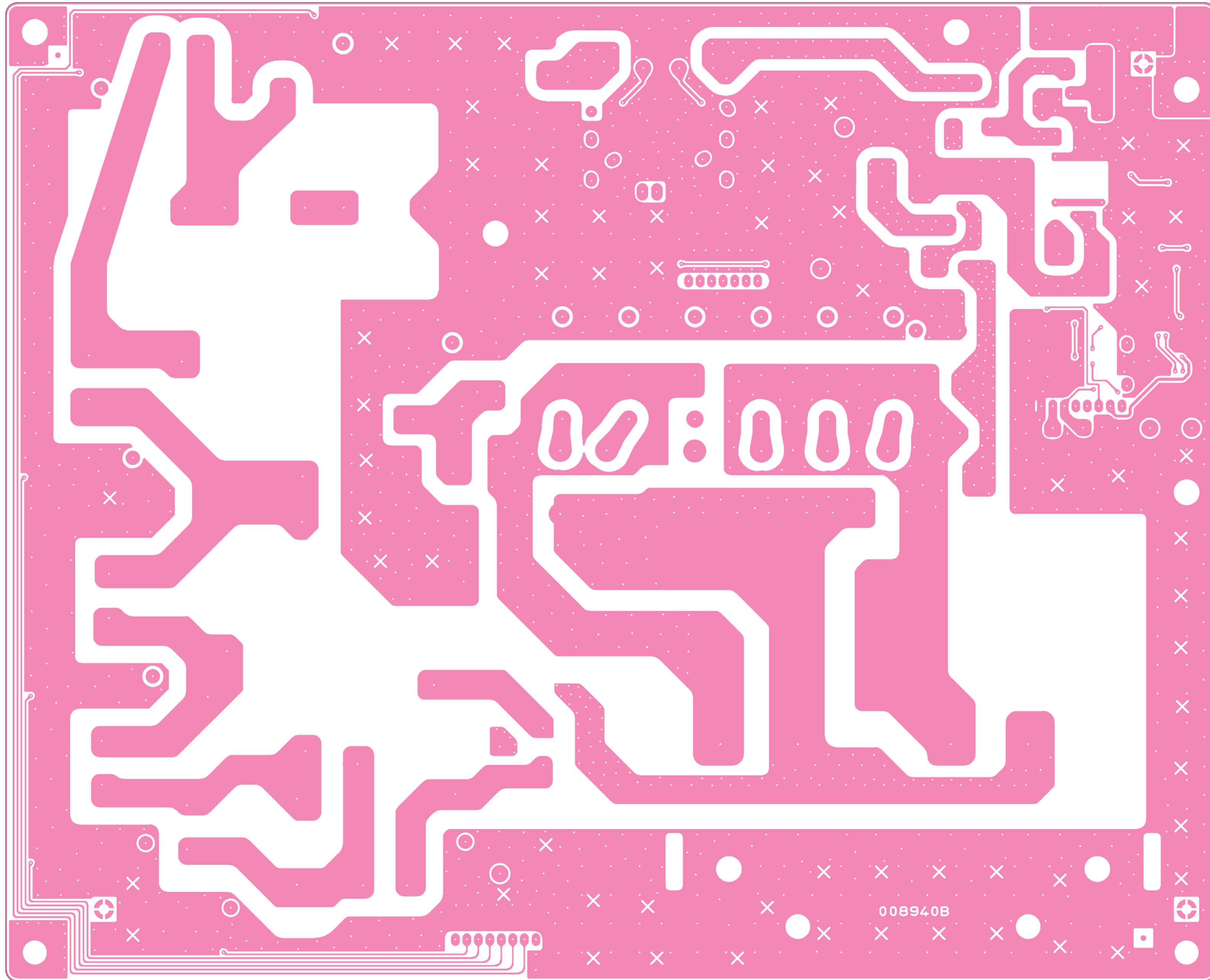
*TUNER-MAIN Unit (D, Contest Type)*

*Note*

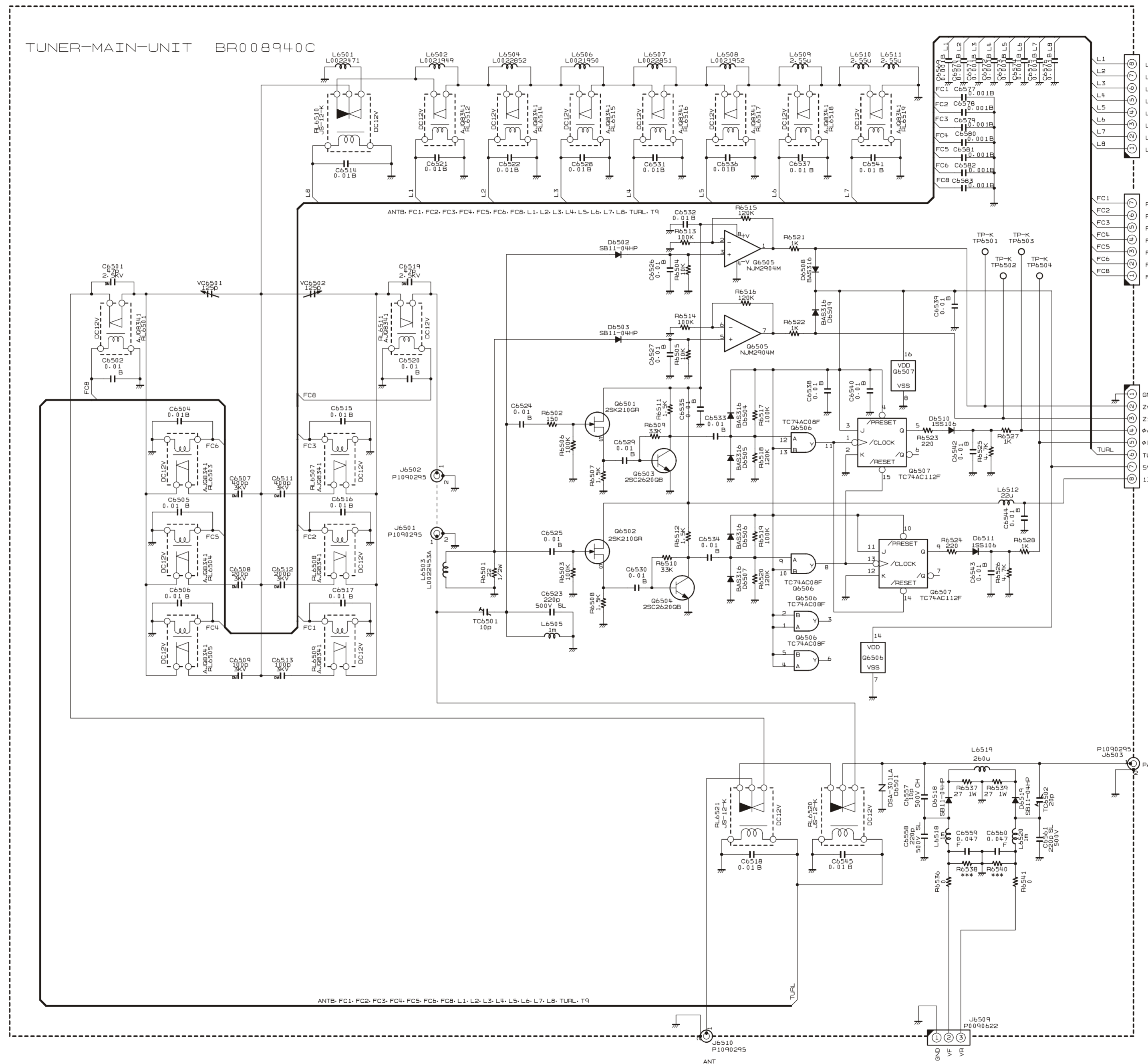


Side A





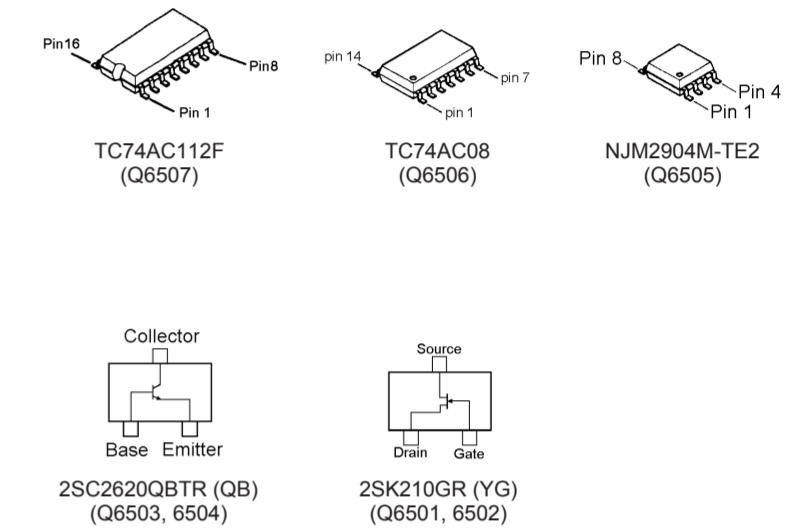
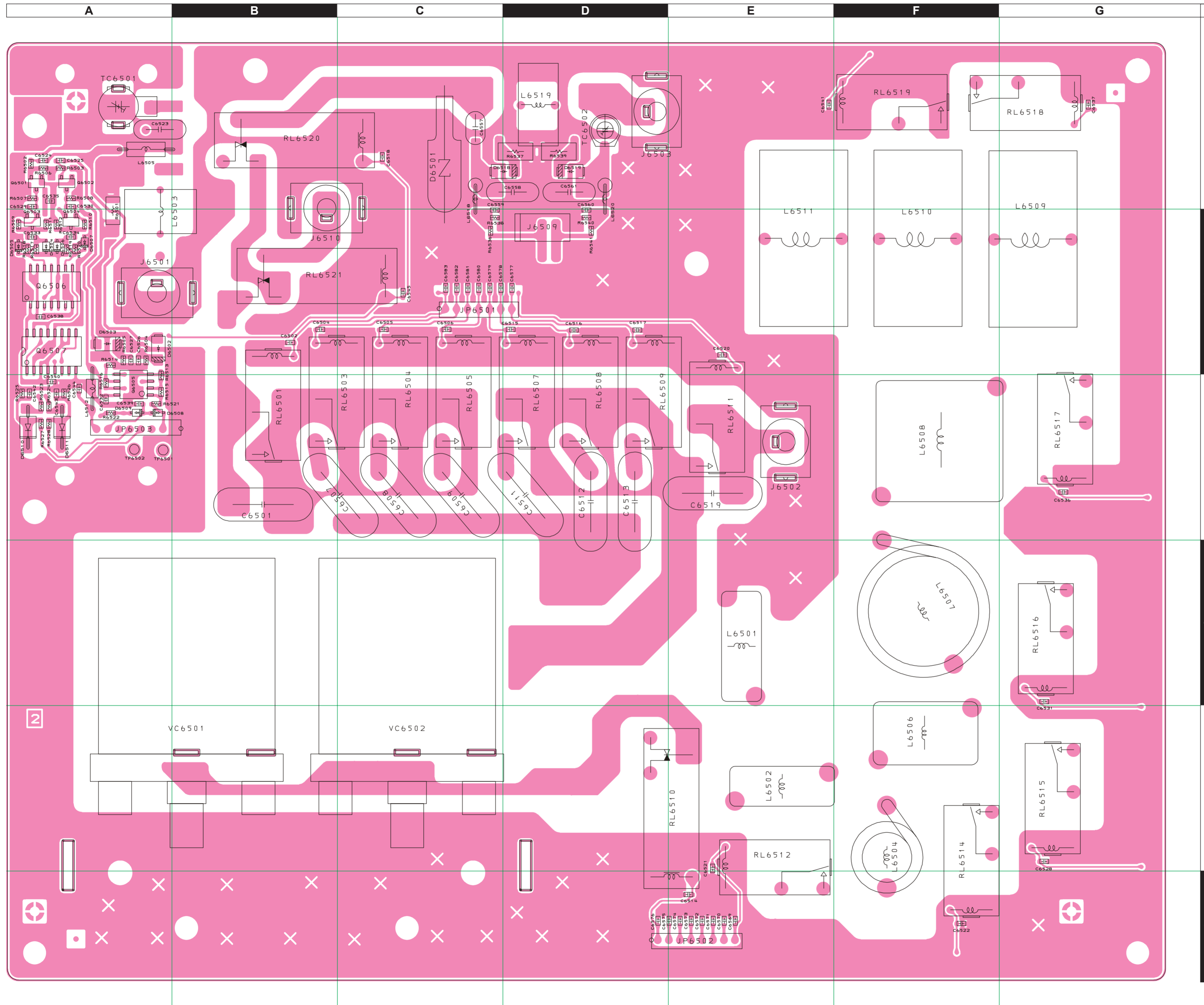
Side B



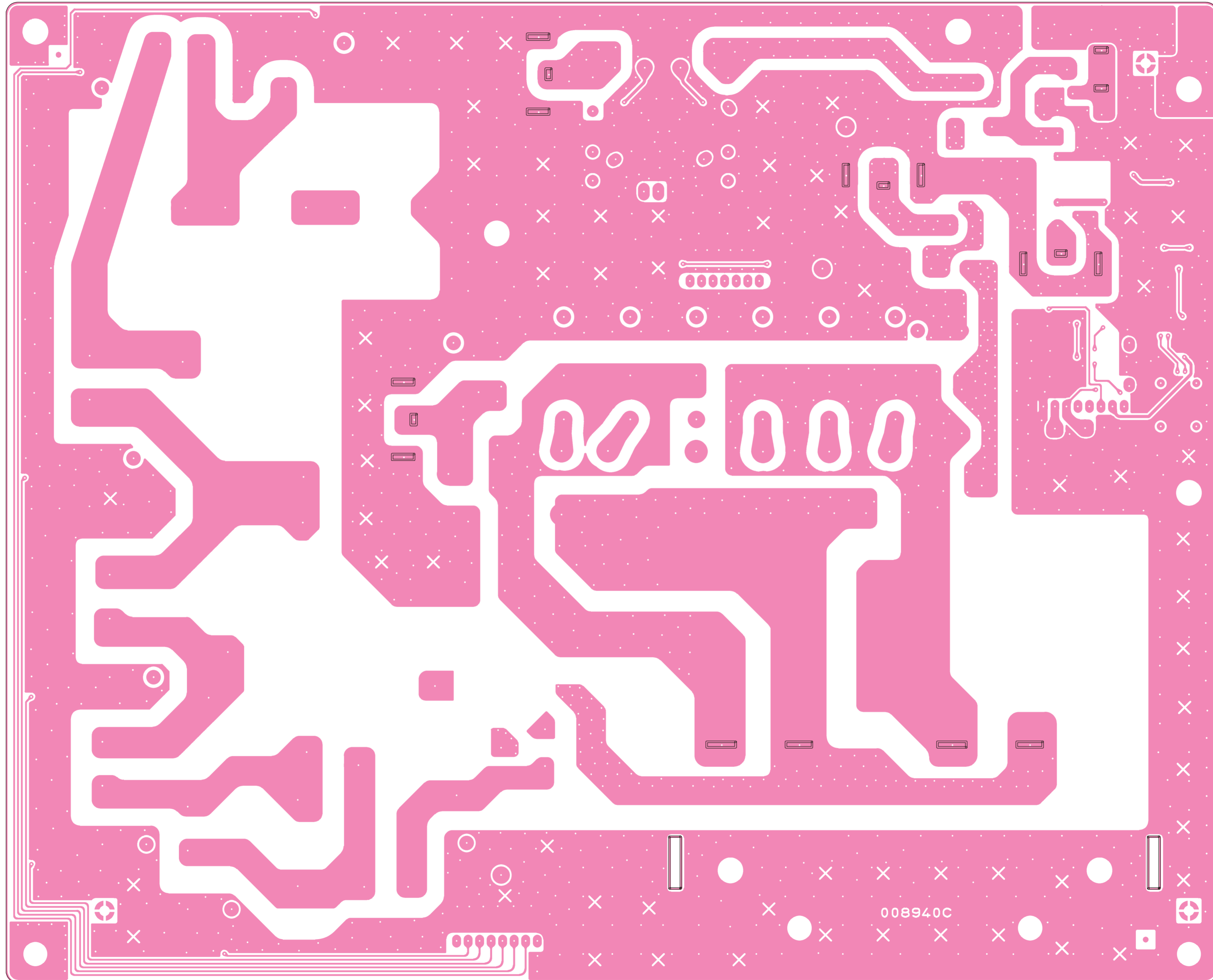


*TUNER-MAIN Unit (D, Contest Type)*

*Note*



Side A



Side B

# TUNER-MAIN Unit (D, Contest Type)

## Parts List

REF	DESCRIPTION	VALUE	V/W	TOL.	MFR'S DESIG	VXSTD P/N	VERS.	LOT	SIDE	LAY ADR
	PCB with Components					CB2020001				
	Printed Circuit Board					FR008940B		1-		
	Printed Circuit Board					FR008940C		12-		
C 6501	MICA CAP.	47pF	1KV		DML2 470J10	K30309005		1-	A	B3
C 6501	MICA CAP.	47pF	2.5KV		DM30E470J25-0	K30349017		9-	A	B3
C 6501	MICA CAP.	47pF	2.5KV		DM30E470J25	K30349049		15-	A	B3
C 6502	CHIP CAP.	0.01uF	50V	B	GRM188B11H103KA01D	K22174823		1-	A	B2
C 6504	CHIP CAP.	0.01uF	50V	B	GRM188B11H103KA01D	K22174823		1-	A	B2
C 6505	CHIP CAP.	0.01uF	50V	B	GRM188B11H103KA01D	K22174823		1-	A	C2
C 6506	CHIP CAP.	0.01uF	50V	B	GRM188B11H103KA01D	K22174823		1-	A	C2
C 6507	MICA CAP.	400pF	3KV		DML4 401J30	K30355401		1-	A	B3
C 6507	MICA CAP.	400pF	3KV		DML4 401J30	K30359003		15-	A	B3
C 6508	MICA CAP.	200pF	3KV		DML4 201J30	K30355201		1-	A	C3
C 6508	MICA CAP.	100pF	3KV		DML4 101J30	K30359001		15-	A	C3
C 6508	MICA CAP.	200pF	3KV		DML4 201J30	K30359002		22-	A	C3
C 6509	MICA CAP.	100pF	3KV		DML4 101J30	K30355101		1-	A	C3
C 6509	MICA CAP.	100pF	3KV		DML4 101J30	K30359001		15-	A	C3
C 6511	MICA CAP.	400pF	3KV		DML4 401J30	K30355401		1-	A	D3
C 6511	MICA CAP.	400pF	3KV		DML4 401J30	K30359003		15-	A	D3
C 6512	MICA CAP.	200pF	3KV		DML4 201J30	K30355201		1-	A	D3
C 6512	MICA CAP.	200pF	3KV		DML4 201J30	K30359002		15-	A	D3
C 6513	MICA CAP.	100pF	3KV		DML4 101J30	K30355101		1-	A	D3
C 6513	MICA CAP.	100pF	3KV		DML4 101J30	K30359001		15-	A	D3
C 6514	CHIP CAP.	0.01uF	50V	B	GRM188B11H103KA01D	K22174823		1-	A	E6
C 6515	CHIP CAP.	0.01uF	50V	B	GRM188B11H103KA01D	K22174823		1-	A	D2
C 6516	CHIP CAP.	0.01uF	50V	B	GRM188B11H103KA01D	K22174823		1-	A	D2
C 6517	CHIP CAP.	0.01uF	50V	B	GRM188B11H103KA01D	K22174823		1-	A	D2
C 6518	CHIP CAP.	0.01uF	50V	B	GRM188B11H103KA01D	K22174823		1-	A	C1
C 6519	MICA CAP.	47pF	1KV		DML2 470J10	K30309005		1-	A	E3
C 6519	MICA CAP.	47pF	2.5KV		DM30E470J25-0	K30349017		9-	A	E3
C 6519	MICA CAP.	47pF	2.5KV		DM30E470J25	K30349049		15-	A	E3
C 6520	CHIP CAP.	0.01uF	50V	B	GRM188B11H103KA01D	K22174823		1-	A	E2
C 6521	CHIP CAP.	0.01uF	50V	B	GRM188B11H103KA01D	K22174823		1-	A	E5
C 6522	CHIP CAP.	0.01uF	50V	B	GRM188B11H103KA01D	K22174823		1-	A	F6
C 6523	CERAMIC CAP.	220pF	500V	SL	RT-HM95SKSL221J	K26270061		1-	A	A1
C 6524	CHIP CAP.	0.01uF	50V	B	GRM188B11H103KA01D	K22174823		1-	A	A1
C 6525	CHIP CAP.	0.01uF	50V	B	GRM188B11H103KA01D	K22174823		1-	A	A1
C 6526	CHIP CAP.	0.01uF	50V	B	GRM188B11H103KA01D	K22174823		1-	A	A2
C 6527	CHIP CAP.	0.01uF	50V	B	GRM188B11H103KA01D	K22174823		1-	A	A2
C 6528	CHIP CAP.	0.01uF	50V	B	GRM188B11H103KA01D	K22174823		1-	A	G5
C 6529	CHIP CAP.	0.01uF	50V	B	GRM188B11H103KA01D	K22174823		1-	A	A1
C 6530	CHIP CAP.	0.01uF	50V	B	GRM188B11H103KA01D	K22174823		1-	A	A1
C 6531	CHIP CAP.	0.01uF	50V	B	GRM188B11H103KA01D	K22174823		1-	A	A1
C 6532	CHIP CAP.	0.01uF	50V	B	GRM188B11H103KA01D	K22174823		1-	A	A3
C 6533	CHIP CAP.	0.01uF	50V	B	GRM188B11H103KA01D	K22174823		1-	A	A2
C 6534	CHIP CAP.	0.01uF	50V	B	GRM188B11H103KA01D	K22174823		1-	A	A2
C 6535	CHIP CAP.	0.01uF	50V	B	GRM188B11H103KA01D	K22174823		1-	A	A1
C 6536	CHIP CAP.	0.01uF	50V	B	GRM188B11H103KA01D	K22174823		1-	A	G3
C 6537	CHIP CAP.	0.01uF	50V	B	GRM188B11H103KA01D	K22174823		1-	A	G1
C 6538	CHIP CAP.	0.01uF	50V	B	GRM188B11H103KA01D	K22174823		1-	A	A2
C 6539	CHIP CAP.	0.01uF	50V	B	GRM188B11H103KA01D	K22174823		1-	A	A3
C 6540	CHIP CAP.	0.01uF	50V	B	GRM188B11H103KA01D	K22174823		1-	A	A3
C 6541	CHIP CAP.	0.01uF	50V	B	GRM188B11H103KA01D	K22174823		1-	A	E1
C 6542	CHIP CAP.	0.01uF	50V	B	GRM188B11H103KA01D	K22174823		1-	A	A3
C 6543	CHIP CAP.	0.01uF	50V	B	GRM188B11H103KA01D	K22174823		1-	A	A3
C 6544	CHIP CAP.	0.01uF	50V	B	GRM188B11H103KA01D	K22174823		1-	A	A3
C 6545	CHIP CAP.	0.01uF	50V	B	GRM188B11H103KA01D	K22174823		1-	A	C2
C 6557	CERAMIC CAP.	10pF	500V	CH	RT-HM60SKCH100D	K26270151		1-	A	C1
C 6558	CERAMIC CAP.	220pF	500V	SL	RT-HM95SKSL221J	K26270061		1-	A	D1
C 6559	CHIP CAP.	0.047uF	25V	F	GRM39F473Z25PT	K22145002		1-	A	C2
C 6559	CHIP CAP.	0.047uF	50V	F	GRM188F11H473ZA01D	K22175001		27-	A	C2
C 6560	CHIP CAP.	0.047uF	25V	F	GRM39F473Z25PT	K22145002		1-	A	D2
C 6560	CHIP CAP.	0.047uF	50V	F	GRM188F11H473ZA01D	K22175001		27-	A	D2
C 6561	CERAMIC CAP.	220pF	500V	SL	RT-HM95SKSL221J	K26270061		1-	A	D1
C 6569	CHIP CAP.	0.001uF	50V	B	GRM188B11H102KA01D	K22174809		1-	A	E6
C 6570	CHIP CAP.	0.001uF	50V	B	GRM188B11H102KA01D	K22174809		1-	A	E6
C 6571	CHIP CAP.	0.001uF	50V	B	GRM188B11H102KA01D	K22174809		1-	A	E6
C 6572	CHIP CAP.	0.001uF	50V	B	GRM188B11H102KA01D	K22174809		1-	A	E6
C 6573	CHIP CAP.	0.001uF	50V	B	GRM188B11H102KA01D	K22174809		1-	A	E6
C 6574	CHIP CAP.	0.001uF	50V	B	GRM188B11H102KA01D	K22174809		1-	A	E6
C 6575	CHIP CAP.	0.001uF	50V	B	GRM188B11H102KA01D	K22174809		1-	A	E6
C 6576	CHIP CAP.	0.001uF	50V	B	GRM188B11H102KA01D	K22174809		1-	A	D6
C 6577	CHIP CAP.	0.001uF	50V	B	GRM188B11H102KA01D	K22174809		1-	A	D2

# TUNER-MAIN Unit (D, Contest Type)

## Parts List

REF	DESCRIPTION	VALUE	V/W	TOL.	MFR'S DESIG	VXSTD P/N	VERS.	LOT	SIDE	LAY ADR
C 6578	CHIP CAP.	0.001uF	50V	B	GRM188B11H102KA01D	K22174809		1-	A	C2
C 6579	CHIP CAP.	0.001uF	50V	B	GRM188B11H102KA01D	K22174809		1-	A	C2
C 6580	CHIP CAP.	0.001uF	50V	B	GRM188B11H102KA01D	K22174809		1-	A	C2
C 6581	CHIP CAP.	0.001uF	50V	B	GRM188B11H102KA01D	K22174809		1-	A	C2
C 6582	CHIP CAP.	0.001uF	50V	B	GRM188B11H102KA01D	K22174809		1-	A	C2
C 6583	CHIP CAP.	0.001uF	50V	B	GRM188B11H102KA01D	K22174809		1-	A	C2
D 6501	SURGE ABSORBER				DSA-301LA	Q9000371		1-	A	C1
D 6502	DIODE				SB11-04HP-TR	G2070866		1-	A	A2
D 6503	DIODE				SB11-04HP-TR	G2070866		1-	A	A2
D 6504	DIODE				BAS316	G2070716		1-	A	A2
D 6505	DIODE				BAS316	G2070716		1-	A	A2
D 6506	DIODE				BAS316	G2070716		1-	A	A2
D 6507	DIODE				BAS316	G2070716		1-	A	A2
D 6508	DIODE				BAS316	G2070716		1-	A	A3
D 6509	DIODE				BAS316	G2070716		1-	A	A3
D 6510	DIODE				1SS106-E	G2090244		1-	A	A3
D 6511	DIODE				1SS106-E	G2090244		1-	A	A3
D 6518	DIODE				SB11-04HP-TR	G2070866		1-	A	D1
D 6519	DIODE				SB11-04HP-TR	G2070866		1-	A	D1
FN6500	FAN				F412R-12MB-47 DC12V	M2090041		1-3		
J 6501	CONNECTOR				S-Q3063#01	P1090295		1-	A	A2
J 6502	CONNECTOR				S-Q3063#01	P1090295		1-	A	E3
J 6503	CONNECTOR				S-Q3063#01	P1090295		1-	A	D1
J 6509	CONNECTOR				SC25-03WS	P0090622		1-	A	D2
J 6510	CONNECTOR				S-Q3063#01	P1090295		1-	A	B2
JP6501	WIRE ASSY				AH010H	T9207144		1-	A	C2
JP6502	WIRE ASSY				AH010H	T9207145		1-	A	D6
JP6502	WIRE ASSY				AH010H	T9207145A		3-	A	D6
JP6503	WIRE ASSY				AH010H	T9207146A		1-	A	B3
JP6503	WIRE ASSY				AH010H	T9207146B		3-	A	B3
L 6501	COIL A1				2.5T11D2.0UEW R	L0022471		1-	A	E4
L 6502	COIL A1				2.5T15D2.0PVF R	L0021949		1-	A	E5
L 6503	TOROIDAL COIL				2001F FR9.5	L0022453		1-	A	A1
L 6503	TOROIDAL COIL				2001F FR9.0X5.0X5.0	L0022453A		30-	A	A1
L 6504	COIL F1				4.5T9.0D2.0PVF R	L0022852		1-	A	F5
L 6505	M.RFC	1mH			LAL03TA102K	L1790119		1-	A	A1
L 6506	COIL A1				4.5T15D2.0PVF R	L0021950		1-	A	F5
L 6507	COIL F1				6.5T20D2.0PVF R	L0022851		1-	A	F4
L 6508	COIL A1				9.5T19D2.0PVF R	L0021952		1-	A	F3
L 6509	TOROIDAL COIL	2.55uH			2.55U T106-2	L0022680		1-	A	G2
L 6510	TOROIDAL COIL	2.55uH			2.55U T106-2	L0022680		1-	A	F2
L 6511	TOROIDAL COIL	2.55uH			2.55U T106-2	L0022680		1-	A	F2
L 6512	M.RFC	22uH			LAP02TA220K	L1790062		1-	A	A2
L 6518	M.RFC	1mH			LAL03NA102K	L1190189		1-	A	C2
L 6519	TOROIDAL COIL	260uH			260U 3A RI9.3-4.8-5	L0022767		1-	A	D1
L 6520	M.RFC	1mH			LAL03NA102K	L1190189		1-	A	D2
MO6501	STEPPINGMOTOR				MP24GA(250-OHM)	M2190023		1-		
MO6502	STEPPINGMOTOR				MP24GA(250-OHM)	M2190023		1-		
P 6503	WIRE ASSY				GRA 130 PINL/PINL	T9318156		1-		
Q 6501	FET				2SK210-GR(TE85R.F)	G3802107G		1-	A	A1
Q 6502	FET				2SK210-GR(TE85R.F)	G3802107G		1-	A	A1
Q 6503	TRANSISTOR				2SC2620QBTR	G3326207B		1-	A	A2
Q 6504	TRANSISTOR				2SC2620QBTR	G3326207B		1-	A	A2
Q 6505	IC				NJM2904M-TE2	G1093091		1-	A	A3
Q 6506	IC				TC74AC08F TP2	G1091283		1-	A	A2
Q 6507	IC				TC74AC112F(EL)	G1093667		1-	A	A2
R 6501	CHIPRES.	22	1/2W	5%	RMC1/2 220JCTP	J24275220		1-	A	A2
R 6502	CHIPRES.	150	1/16W	5%	RMC1/16 151JATP	J24185151		1-	A	A1
R 6503	CHIPRES.	100k	1/16W	5%	RMC1/16 104JATP	J24185104		1-	A	A1
R 6504	CHIPRES.	10k	1/16W	5%	RMC1/16 103JATP	J24185103		1-	A	A2
R 6505	CHIPRES.	10k	1/16W	5%	RMC1/16 103JATP	J24185103		1-	A	A2
R 6506	CHIPRES.	100k	1/16W	5%	RMC1/16 104JATP	J24185104		1-	A	A1
R 6507	CHIPRES.	1.5k	1/16W	5%	RMC1/16 152JATP	J24185152		1-	A	A1
R 6508	CHIPRES.	1.5k	1/16W	5%	RMC1/16 152JATP	J24185152		1-	A	A1
R 6509	CHIPRES.	33k	1/16W	5%	RMC1/16 333JATP	J24185333		1-	A	A2
R 6510	CHIPRES.	33k	1/16W	5%	RMC1/16 333JATP	J24185333		1-	A	A2
R 6511	CHIPRES.	1.5k	1/16W	5%	RMC1/16 152JATP	J24185152		1-	A	A2
R 6512	CHIPRES.	1.5k	1/16W	5%	RMC1/16 152JATP	J24185152		1-	A	A2
R 6513	CHIPRES.	100k	1/16W	5%	RMC1/16 104JATP	J24185104		1-	A	A3
R 6514	CHIPRES.	100k	1/16W	5%	RMC1/16 104JATP	J24185104		1-	A	A2
R 6515	CHIPRES.	120k	1/16W	5%	RMC1/16 124JATP	J24185124		1-	A	A3
R 6516	CHIPRES.	120k	1/16W	5%	RMC1/16 124JATP	J24185124		1-	A	A3
R 6517	CHIPRES.	100k	1/16W	5%	RMC1/16 104JATP	J24185104		1-	A	A2

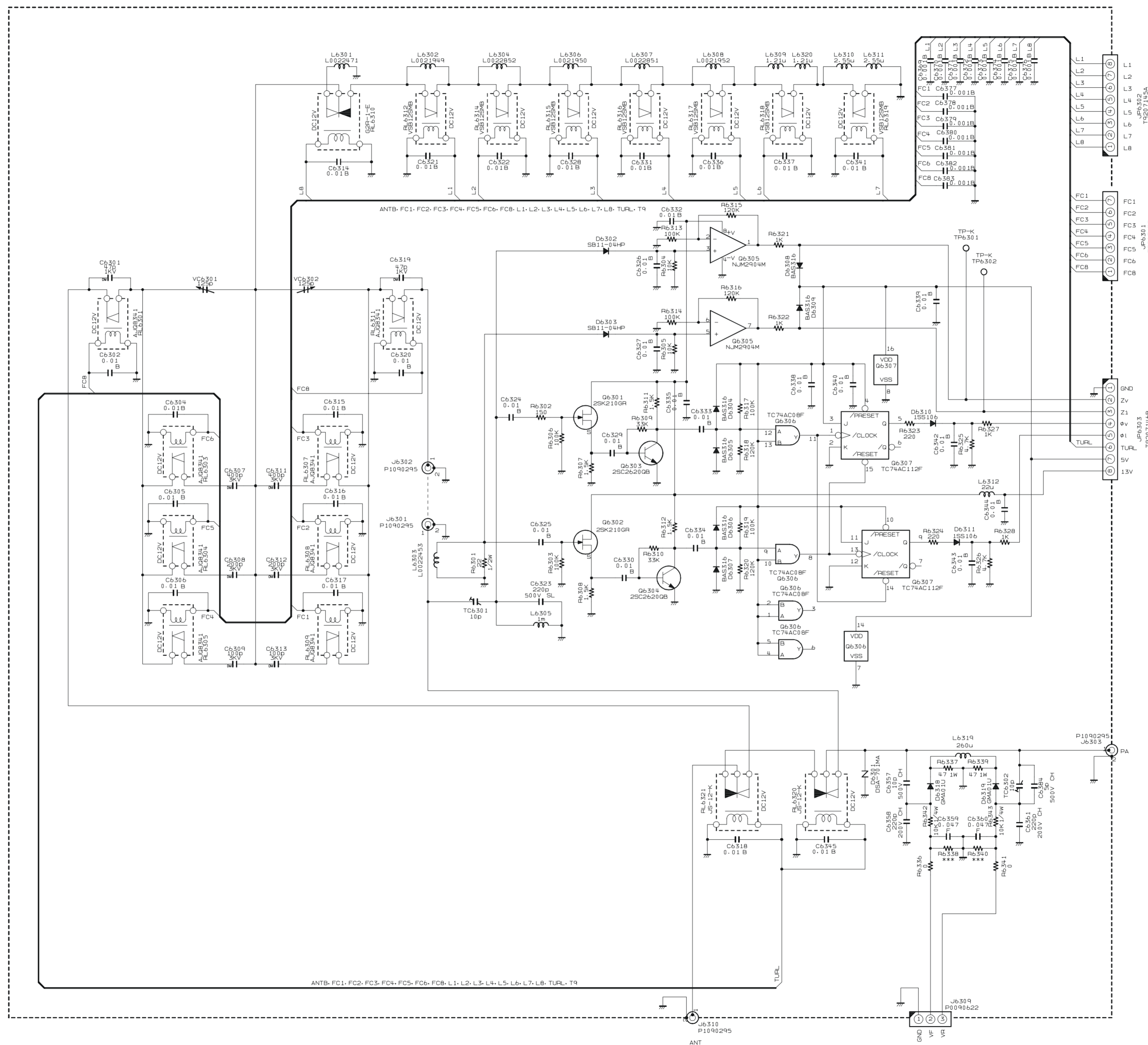
# TUNER-MAIN Unit (D, Contest Type)

## Parts List

REF	DESCRIPTION	VALUE	V/W	TOL.	MFR'S DESIG	VXSTD P/N	VERS.	LOT	SIDE	LAY ADR
R 6518	CHIPRES.	120k	1/16W	5%	RMC1/16 124JATP	J24185124		1-	A	A2
R 6519	CHIPRES.	100k	1/16W	5%	RMC1/16 104JATP	J24185104		1-	A	A2
R 6520	CHIPRES.	120k	1/16W	5%	RMC1/16 124JATP	J24185124		1-	A	A2
R 6521	CHIPRES.	1k	1/16W	5%	RMC1/16 102JATP	J24185102		1-	A	A3
R 6522	CHIPRES.	1k	1/16W	5%	RMC1/16 102JATP	J24185102		1-	A	A3
R 6523	CHIPRES.	220	1/16W	5%	RMC1/16 221JATP	J24185221		1-	A	A3
R 6524	CHIPRES.	220	1/16W	5%	RMC1/16 221JATP	J24185221		1-	A	A3
R 6525	CHIPRES.	4.7k	1/16W	5%	RMC1/16 472JATP	J24185472		1-	A	A3
R 6526	CHIPRES.	4.7k	1/16W	5%	RMC1/16 472JATP	J24185472		1-	A	A3
R 6527	CHIPRES.	1k	1/16W	5%	RMC1/16 102JATP	J24185102		1-	A	A3
R 6528	CHIPRES.	1k	1/16W	5%	RMC1/16 102JATP	J24185102		1-	A	A3
R 6536	CHIPRES.	0	1/16W	5%	RMC1/16 000JATP	J24185000		1-	A	C2
R 6537	CHIPRES.	27	1W	5%	RMC1270JTE	J24305270		1-	A	D1
R 6539	CHIPRES.	27	1W	5%	RMC1270JTE	J24305270		1-	A	D1
R 6541	CHIPRES.	0	1/16W	5%	RMC1/16 000JATP	J24185000		1-	A	D2
RL6501	RELAY		DC12V		AJQ8341 DC12V	M1190115		1-	A	B2
RL6503	RELAY		DC12V		AJQ8341 DC12V	M1190115		1-	A	C2
RL6504	RELAY		DC12V		AJQ8341 DC12V	M1190115		1-	A	C2
RL6505	RELAY		DC12V		AJQ8341 DC12V	M1190115		1-	A	C2
RL6507	RELAY		DC12V		AJQ8341 DC12V	M1190115		1-	A	D2
RL6508	RELAY		DC12V		AJQ8341 DC12V	M1190115		1-	A	D2
RL6509	RELAY		DC12V		AJQ8341 DC12V	M1190115		1-	A	E2
RL6510	RELAY		DC12V		JS-12-K DC12V	M1190154		1-	A	D5
RL6511	RELAY		DC12V		AJQ8341 DC12V	M1190115		1-	A	E2
RL6512	RELAY		DC12V		AJQ8341 DC12V	M1190115		1-	A	E5
RL6514	RELAY		DC12V		AJQ8341 DC12V	M1190115		1-	A	F6
RL6515	RELAY		DC12V		AJQ8341 DC12V	M1190115		1-	A	G5
RL6516	RELAY		DC12V		AJQ8341 DC12V	M1190115		1-	A	G4
RL6517	RELAY		DC12V		AJQ8341 DC12V	M1190115		1-	A	G3
RL6518	RELAY		DC12V		AJQ8341 DC12V	M1190115		1-	A	G1
RL6519	RELAY		DC12V		AJQ8341 DC12V	M1190115		1-	A	F1
RL6520	RELAY		DC12V		JS-12-K DC12V	M1190154		1-	A	B1
RL6521	RELAY		DC12V		JS-12-K DC12V	M1190154		1-	A	B2
TC6501	TRIMMERCAP.	10pF			CVB10-41 10PF	K91000247		1-	A	A1
TC6502	TRIMMERCAP.	20pF			ECV1ZW20X53T 20PF	K91000029		1-	A	D1
TP6501	TERMINAL				TP-K IPS-1136	Q5000050		1-	A	A3
TP6502	TERMINAL				TP-K IPS-1136	Q5000050		1-	A	A3
TP6503	TERMINAL				TP-K IPS-1136	Q5000050		1-1	A	A3
TP6504	TERMINAL				TP-K IPS-1136	Q5000050		1-1	A	A3
VC6501	VARIABLE CAP.	125pF			KV-125-065A	K90000053		1-	A	B5
VC6502	VARIABLE CAP.	125pF			KV-125-065A	K90000053		1-	A	C5
	MOTOR HOLDER ASSY					RA0005700		1-		
	UNIVERSAL JOINT				SM-1116-7BL-M	S1000009		1-		
	SPACER				3X3	S5000198		1-		
	SHIELD CASE					RA0701300		1-		

# *TUNER-MAIN Unit (D, Contest Type)*

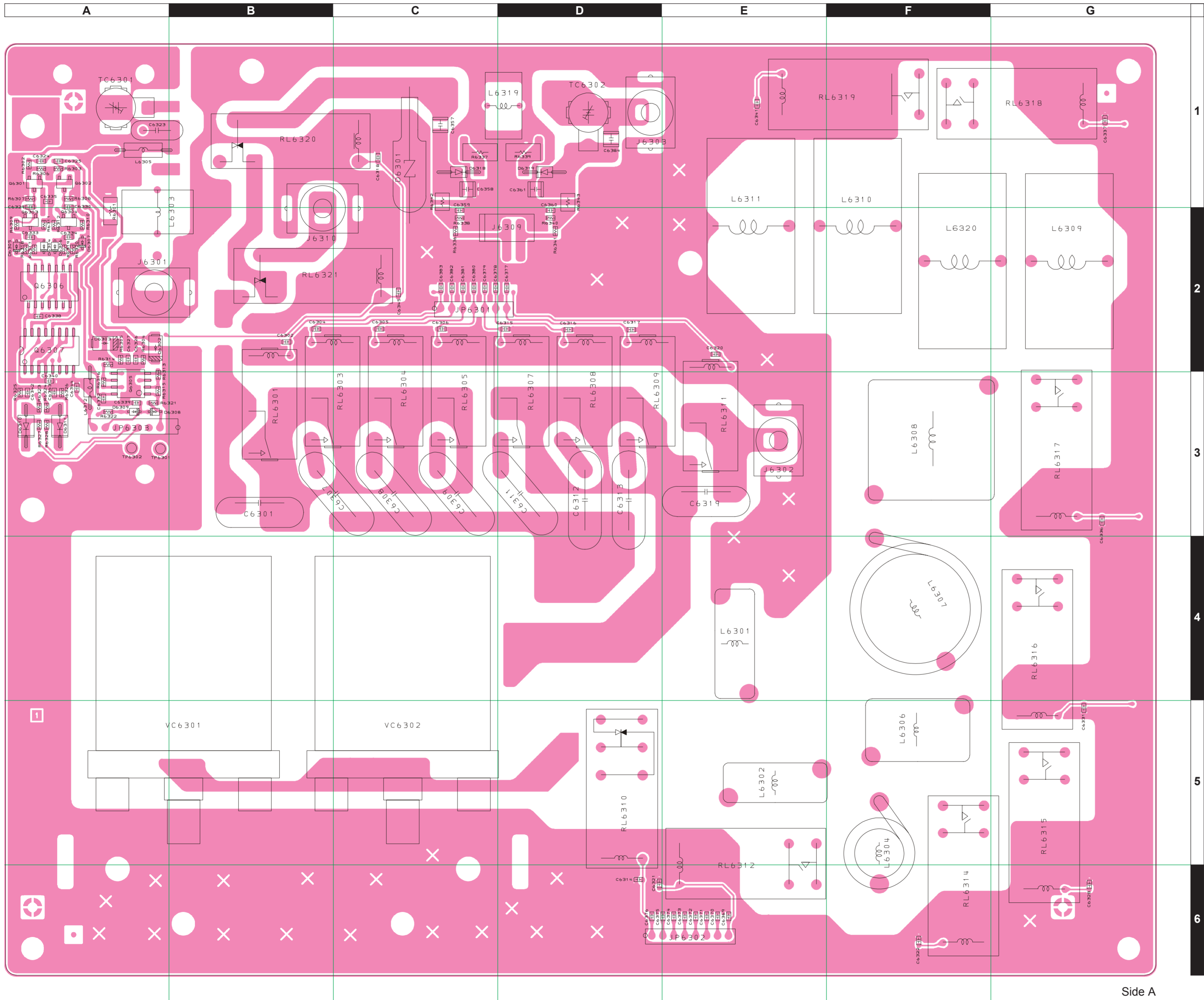
*Note*





***TU-MAIN-A Unit (MP Type)***

*Note*



1

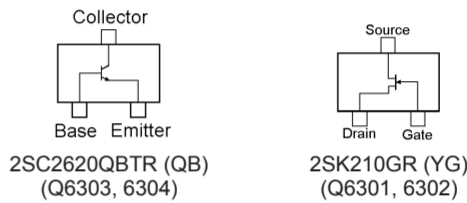
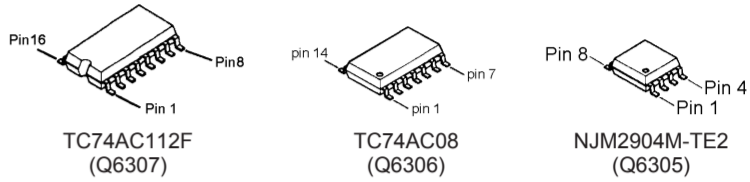
2

3

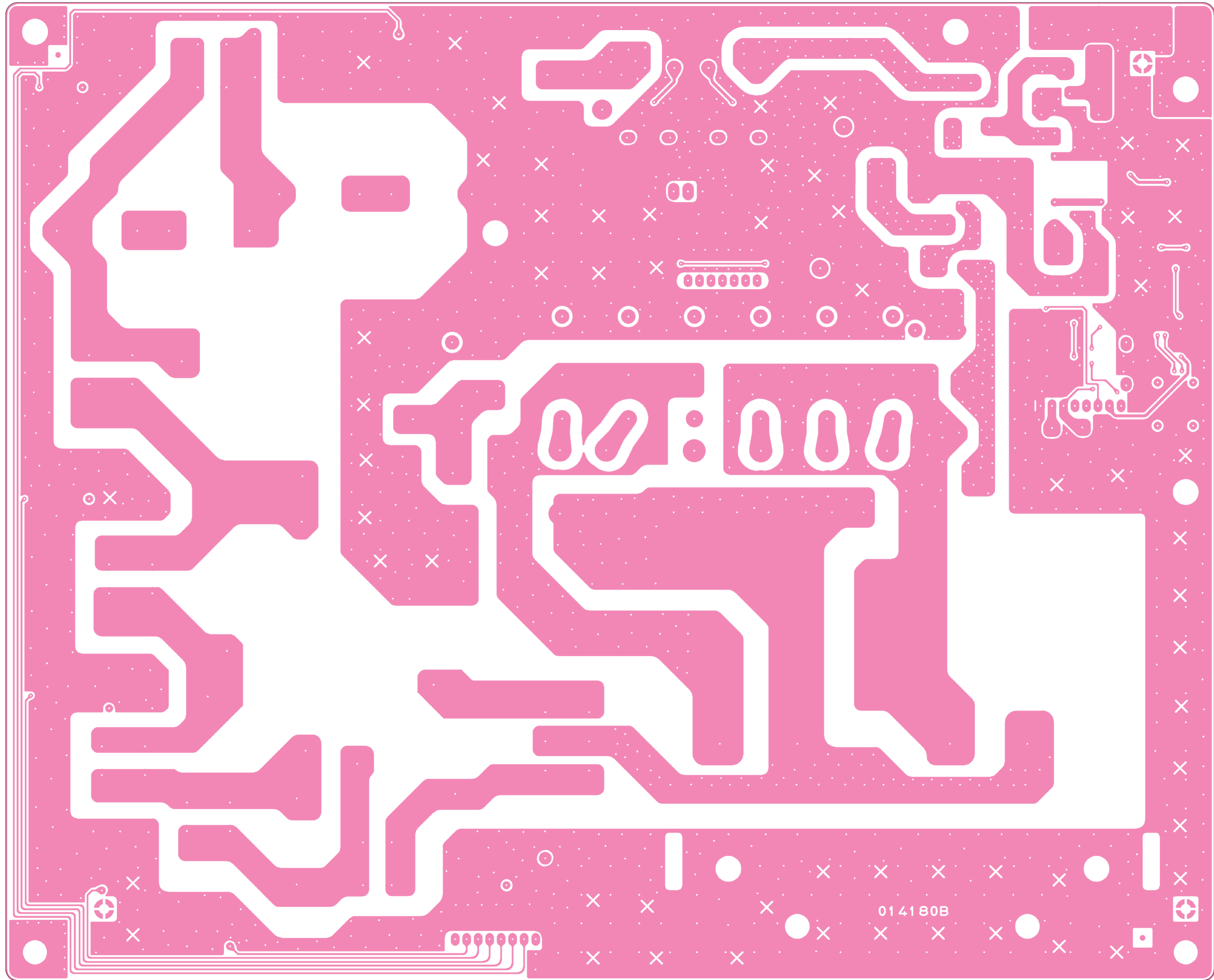
4

5

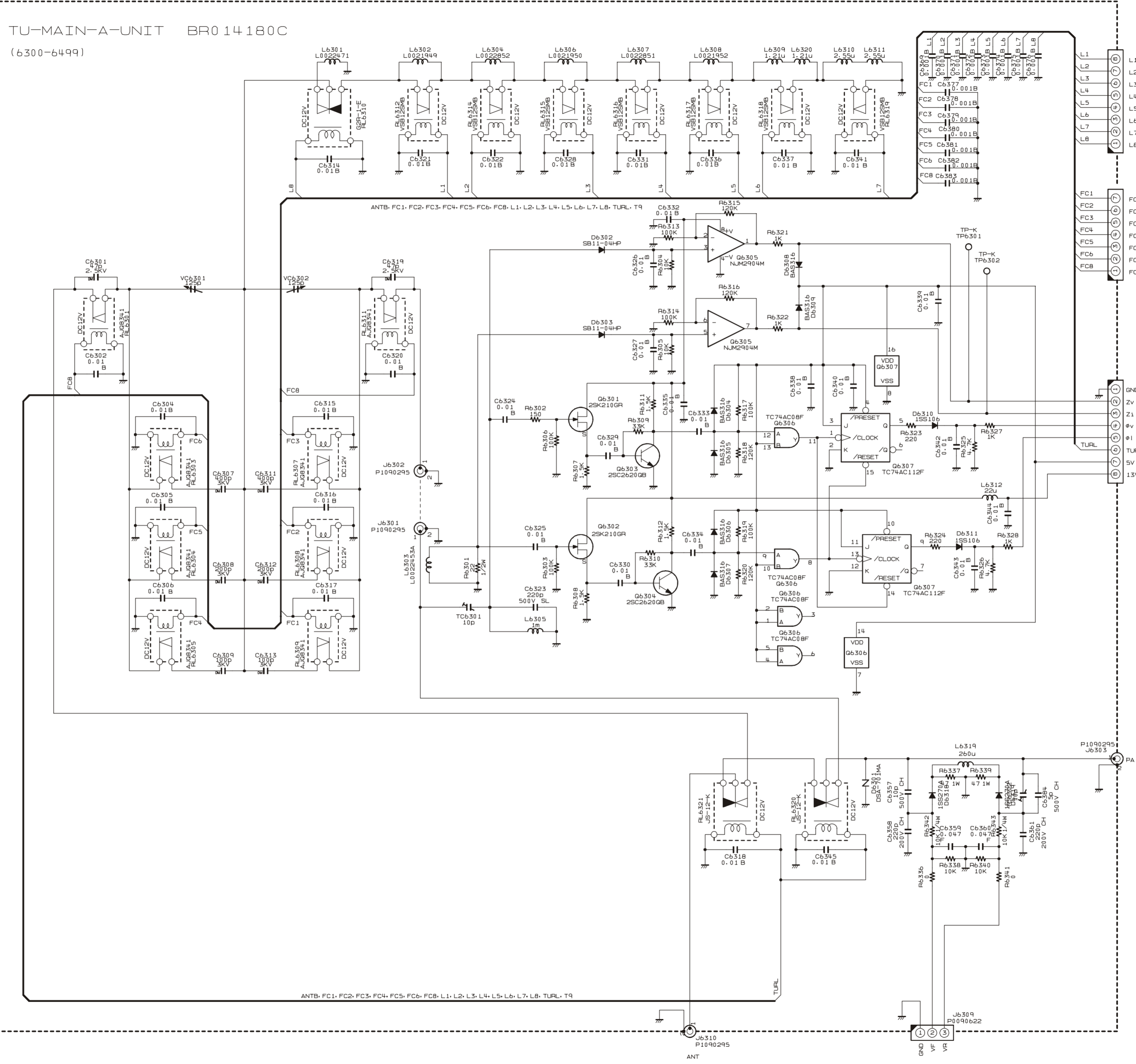
6



Side A

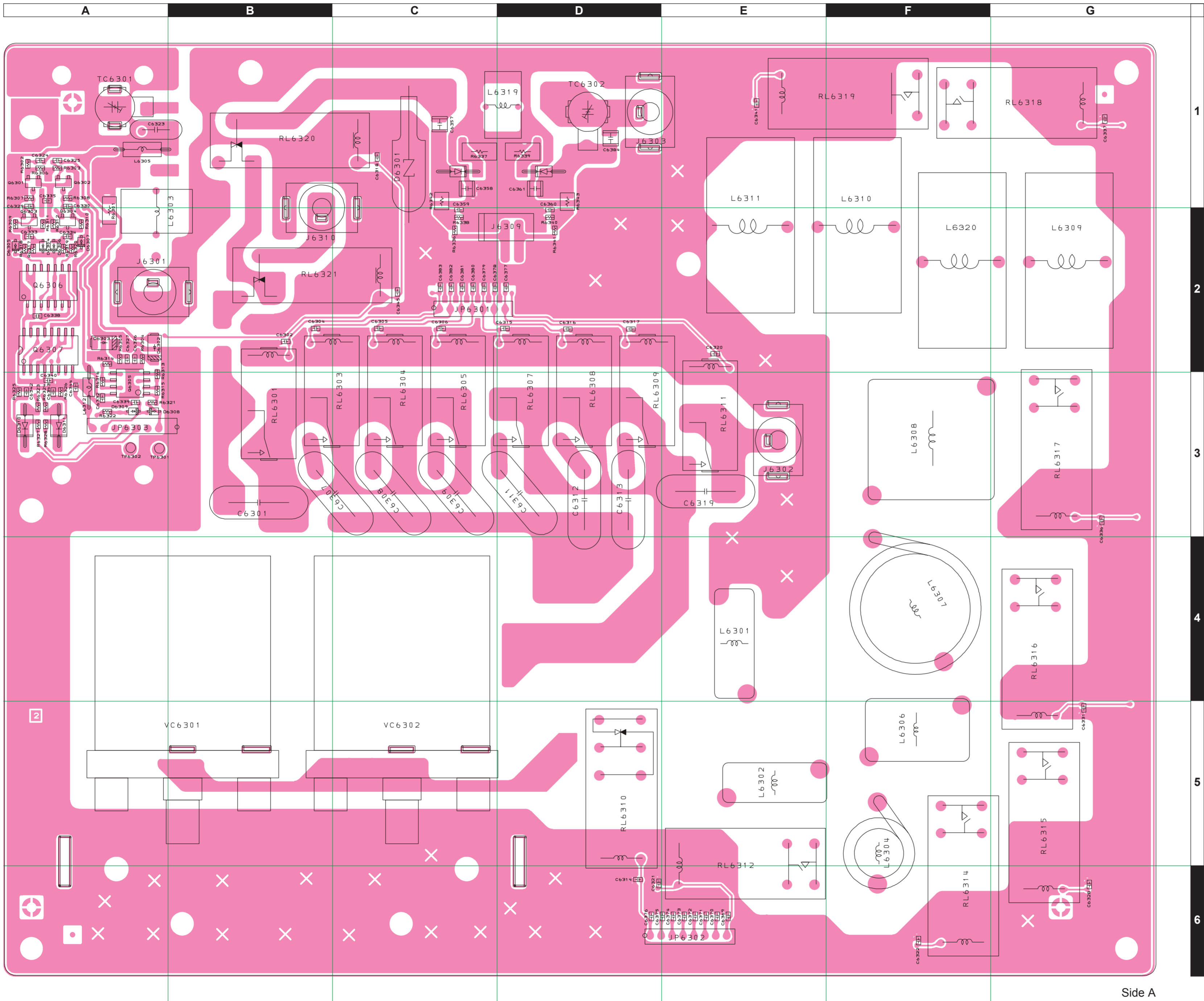


Side B



***TU-MAIN-A Unit (MP Type)***

*Note*



1

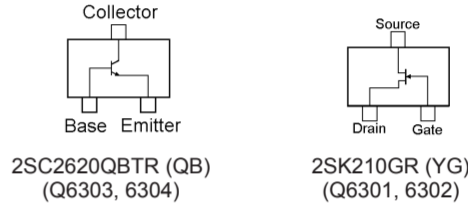
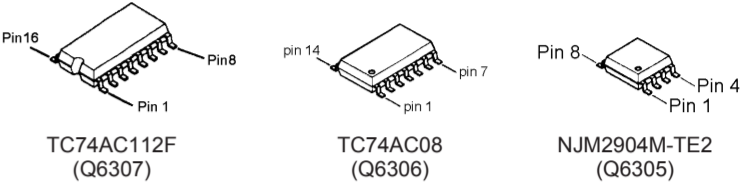
2

3

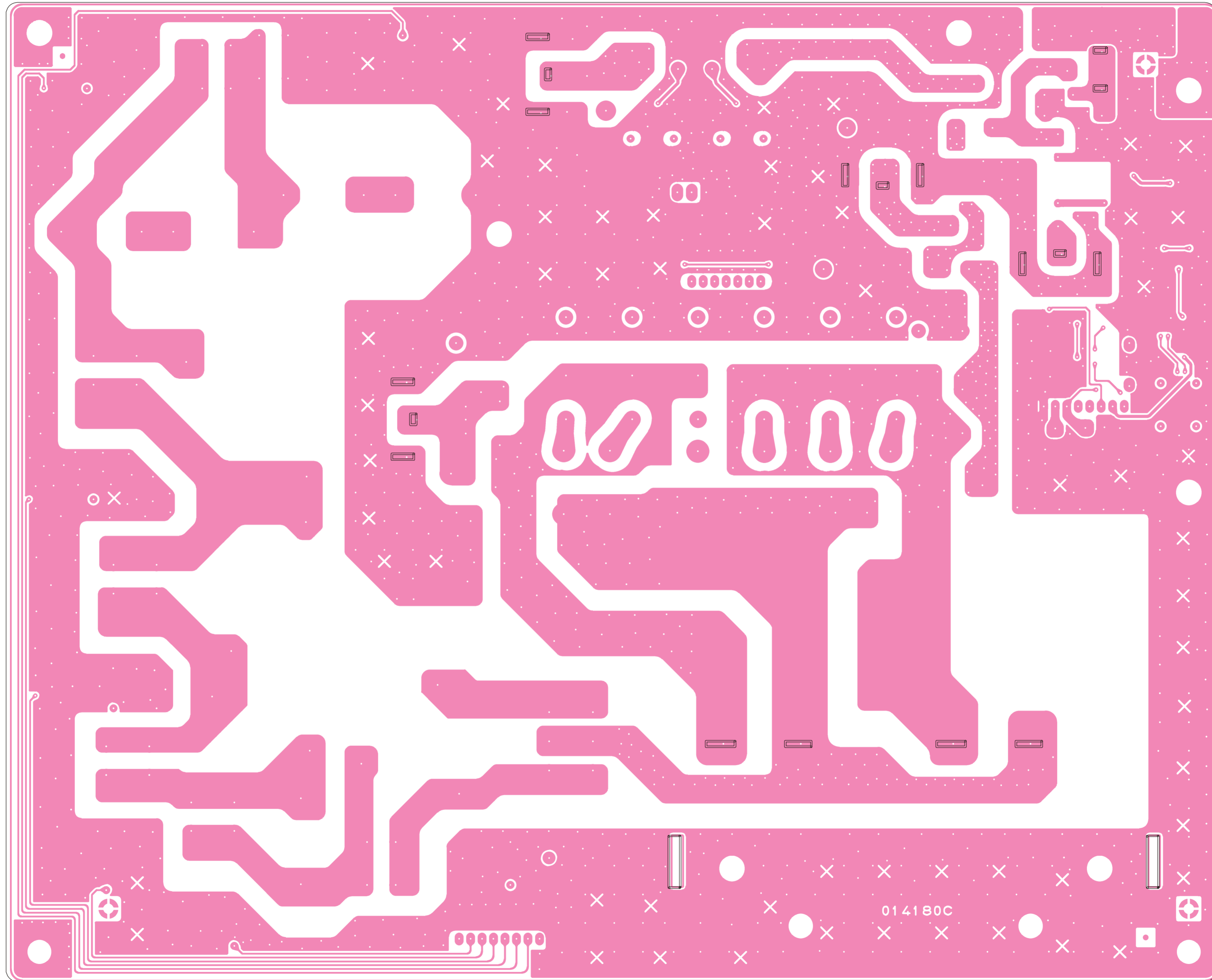
4

5

6



Side A



Side B

# TU-MAIN-A Unit

## Parts List

REF	DESCRIPTION	VALUE	V/W	TOL.	MFR'S DESIG	VXSTD P/N	VERS.	LOT	SIDE	LAY ADR
PCB with Components						CB3426001				
	Printed Circuit Board					FR014180B FR014180C			1- 12-	
C 6301	MICA CAP.	47pF	1KV		DML2 470J10	K30309005			1- A	B3
C 6301	MICA CAP.	47pF	2.5KV		DM30E470J25-0	K30349017			9- A	B3
C 6301	MICA CAP.	47pF	2.5KV		DM30E470J25	K30349049			32- A	B3
C 6302	CHIP CAP.	0.01uF	50V	B	GRM188B11H103KA01D	K22174823			1- A	B2
C 6304	CHIP CAP.	0.01uF	50V	B	GRM188B11H103KA01D	K22174823			1- A	B2
C 6305	CHIP CAP.	0.01uF	50V	B	GRM188B11H103KA01D	K22174823			1- A	C2
C 6306	CHIP CAP.	0.01uF	50V	B	GRM188B11H103KA01D	K22174823			1- A	C2
C 6307	MICA CAP.	400pF	3KV		DML4 401J30	K30355401			1- A	B3
C 6307	MICA CAP.	400pF	3KV		DML4 401J30	K30359003			49- A	B3
C 6308	MICA CAP.	200pF	3KV		DML4 201J30	K30355201			1- A	C3
C 6308	MICA CAP.	200pF	3KV		DML4 201J30	K30359002			49- A	C3
C 6309	MICA CAP.	100pF	3KV		DML4 101J30	K30355101			1- A	C3
C 6309	MICA CAP.	100pF	3KV		DML4 101J30	K30359001			49- A	C3
C 6311	MICA CAP.	400pF	3KV		DML4 401J30	K30355401			1- A	D3
C 6311	MICA CAP.	400pF	3KV		DML4 401J30	K30359003			49- A	D3
C 6312	MICA CAP.	200pF	3KV		DML4 201J30	K30355201			1- A	D3
C 6312	MICA CAP.	200pF	3KV		DML4 201J30	K30359002			49- A	D3
C 6313	MICA CAP.	100pF	3KV		DML4 101J30	K30355101			1- A	D3
C 6313	MICA CAP.	100pF	3KV		DML4 101J30	K30359001			49- A	D3
C 6314	CHIP CAP.	0.01uF	50V	B	GRM188B11H103KA01D	K22174823			1- A	D6
C 6315	CHIP CAP.	0.01uF	50V	B	GRM188B11H103KA01D	K22174823			1- A	D2
C 6316	CHIP CAP.	0.01uF	50V	B	GRM188B11H103KA01D	K22174823			1- A	D2
C 6317	CHIP CAP.	0.01uF	50V	B	GRM188B11H103KA01D	K22174823			1- A	D2
C 6318	CHIP CAP.	0.01uF	50V	B	GRM188B11H103KA01D	K22174823			1- A	C1
C 6319	MICA CAP.	47pF	1KV		DML2 470J10	K30309005			1- A	E3
C 6319	MICA CAP.	47pF	2.5KV		DM30E470J25-0	K30349017			9- A	E3
C 6319	MICA CAP.	47pF	2.5KV		DM30E470J25	K30349049			32- A	E3
C 6320	CHIP CAP.	0.01uF	50V	B	GRM188B11H103KA01D	K22174823			1- A	E2
C 6321	CHIP CAP.	0.01uF	50V	B	GRM188B11H103KA01D	K22174823			1- A	D6
C 6322	CHIP CAP.	0.01uF	50V	B	GRM188B11H103KA01D	K22174823			1- A	F6
C 6323	CERAMIC CAP.	220pF	500V	SL	RT-HM95SKSL221J	K26270061			1- A	A1
C 6324	CHIP CAP.	0.01uF	50V	B	GRM188B11H103KA01D	K22174823			1- A	A1
C 6325	CHIP CAP.	0.01uF	50V	B	GRM188B11H103KA01D	K22174823			1- A	A1
C 6326	CHIP CAP.	0.01uF	50V	B	GRM188B11H103KA01D	K22174823			1- A	A2
C 6327	CHIP CAP.	0.01uF	50V	B	GRM188B11H103KA01D	K22174823			1- A	A2
C 6328	CHIP CAP.	0.01uF	50V	B	GRM188B11H103KA01D	K22174823			1- A	G6
C 6329	CHIP CAP.	0.01uF	50V	B	GRM188B11H103KA01D	K22174823			1- A	A1
C 6330	CHIP CAP.	0.01uF	50V	B	GRM188B11H103KA01D	K22174823			1- A	A1
C 6331	CHIP CAP.	0.01uF	50V	B	GRM188B11H103KA01D	K22174823			1- A	G5
C 6332	CHIP CAP.	0.01uF	50V	B	GRM188B11H103KA01D	K22174823			1- A	A3
C 6333	CHIP CAP.	0.01uF	50V	B	GRM188B11H103KA01D	K22174823			1- A	A2
C 6334	CHIP CAP.	0.01uF	50V	B	GRM188B11H103KA01D	K22174823			1- A	A2
C 6335	CHIP CAP.	0.01uF	50V	B	GRM188B11H103KA01D	K22174823			1- A	A1
C 6336	CHIP CAP.	0.01uF	50V	B	GRM188B11H103KA01D	K22174823			1- A	G3
C 6337	CHIP CAP.	0.01uF	50V	B	GRM188B11H103KA01D	K22174823			1- A	G1
C 6338	CHIP CAP.	0.01uF	50V	B	GRM188B11H103KA01D	K22174823			1- A	A2
C 6339	CHIP CAP.	0.01uF	50V	B	GRM188B11H103KA01D	K22174823			1- A	A3
C 6340	CHIP CAP.	0.01uF	50V	B	GRM188B11H103KA01D	K22174823			1- A	A3
C 6341	CHIP CAP.	0.01uF	50V	B	GRM188B11H103KA01D	K22174823			1- A	E1
C 6342	CHIP CAP.	0.01uF	50V	B	GRM188B11H103KA01D	K22174823			1- A	A3
C 6343	CHIP CAP.	0.01uF	50V	B	GRM188B11H103KA01D	K22174823			1- A	A3
C 6344	CHIP CAP.	0.01uF	50V	B	GRM188B11H103KA01D	K22174823			1- A	A3
C 6345	CHIP CAP.	0.01uF	50V	B	GRM188B11H103KA01D	K22174823			1- A	C2
C 6357	CHIP CAP.	10pF	500V	CH	ERE22X6C2H100JD01L	K22273217			1- A	C1
C 6358	CHIP CAP.	220pF	200V	CH	ERF22X6C2D221JD01L	K22233201			1- A	C1
C 6359	CHIP CAP.	0.047uF	25V	F	GRM39F473Z25PT	K22145002			1- A	C2
C 6359	CHIP CAP.	0.047uF	50V	F	GRM188F11H473ZA01D	K22175001			27- A	C2
C 6360	CHIP CAP.	0.047uF	25V	F	GRM39F473Z25PT	K22145002			1- A	D2
C 6360	CHIP CAP.	0.047uF	50V	F	GRM188F11H473ZA01D	K22175001			27- A	D2
C 6361	CHIP CAP.	220pF	200V	CH	ERF22X6C2D221JD01L	K22233201			1- A	D1
C 6369	CHIP CAP.	0.001uF	50V	B	GRM188B11H102KA01D	K22174809			1- A	E6
C 6370	CHIP CAP.	0.001uF	50V	B	GRM188B11H102KA01D	K22174809			1- A	E6
C 6371	CHIP CAP.	0.001uF	50V	B	GRM188B11H102KA01D	K22174809			1- A	E6
C 6372	CHIP CAP.	0.001uF	50V	B	GRM188B11H102KA01D	K22174809			1- A	E6
C 6373	CHIP CAP.	0.001uF	50V	B	GRM188B11H102KA01D	K22174809			1- A	E6
C 6374	CHIP CAP.	0.001uF	50V	B	GRM188B11H102KA01D	K22174809			1- A	E6
C 6375	CHIP CAP.	0.001uF	50V	B	GRM188B11H102KA01D	K22174809			1- A	E6
C 6376	CHIP CAP.	0.001uF	50V	B	GRM188B11H102KA01D	K22174809			1- A	D6
C 6377	CHIP CAP.	0.001uF	50V	B	GRM188B11H102KA01D	K22174809			1- A	D2
C 6378	CHIP CAP.	0.001uF	50V	B	GRM188B11H102KA01D	K22174809			1- A	C2



# TU-MAIN-A Unit

## Parts List

REF	DESCRIPTION	VALUE	V/W	TOL.	MFR'S DESIG	VXSTD P/N	VERS.	LOT	SIDE	LAY ADR
C 6379	CHIP CAP.	0.001uF	50V	B	GRM188B11H102KA01D	K22174809		1-	A	C2
C 6380	CHIP CAP.	0.001uF	50V	B	GRM188B11H102KA01D	K22174809		1-	A	C2
C 6381	CHIP CAP.	0.001uF	50V	B	GRM188B11H102KA01D	K22174809		1-	A	C2
C 6382	CHIP CAP.	0.001uF	50V	B	GRM188B11H102KA01D	K22174809		1-	A	C2
C 6383	CHIP CAP.	0.001uF	50V	B	GRM188B11H102KA01D	K22174809		1-	A	C2
C 6384	CHIP CAP.	5pF	500V	CH	ERF22X6C2H5R0CD01L	K22273216		1-	A	D1
D 6301	SURGE ABSORBER				DSA-701MA	Q9000845		1-	A	C1
D 6302	DIODE				SB11-04HP-TR	G2070866		1-	A	A2
D 6303	DIODE				SB11-04HP-TR	G2070866		1-	A	A2
D 6304	DIODE				BAS316	G2070716		1-	A	A2
D 6305	DIODE				BAS316	G2070716		1-	A	A2
D 6306	DIODE				BAS316	G2070716		1-	A	A2
D 6307	DIODE				BAS316	G2070716		1-	A	A2
D 6308	DIODE				BAS316	G2070716		1-	A	A3
D 6309	DIODE				BAS316	G2070716		1-	A	A3
D 6310	DIODE				1SS106-E	G2090244		1-	A	A3
D 6311	DIODE				1SS106-E	G2090244		1-	A	A3
D 6318	DIODE				GMA01U-BT	G2060023		1-	A	C1
D 6318	DIODE				1SS270A	G2090754		4-	A	C1
D 6319	DIODE				GMA01U-BT	G2060023		1-	A	D1
D 6319	DIODE				1SS270A	G2090754		4-	A	D1
J 6301	CONNECTOR				S-Q3063#01	P1090295		1-	A	A2
J 6301	CONNECTOR				CTP-106E	P1091397		49-	A	A2
J 6302	CONNECTOR				S-Q3063#01	P1090295		1-	A	E3
J 6302	CONNECTOR				CTP-106E	P1091397		49-	A	E3
J 6303	CONNECTOR				S-Q3063#01	P1090295		1-	A	D1
J 6303	CONNECTOR				CTP-106E	P1091397		49-	A	D1
J 6309	CONNECTOR				SC25-03WS	P0090622		1-	A	C2
J 6310	CONNECTOR				S-Q3063#01	P1090295		1-	A	B2
J 6310	CONNECTOR				CTP-106E	P1091397		49-	A	B2
JP6301	WIRE ASSY				AH010H	T9207144		1-	A	C2
JP6302	WIRE ASSY				AH010H	T9207145A		1-	A	D6
JP6303	WIRE ASSY				AH010H	T9207146B		1-	A	B3
L 6301	COIL A1				2.5T11D2.0UEW R	L0022471		1-	A	E4
L 6302	COIL A1				2.5T15D2.0PVF R	L0021949		1-	A	E5
L 6303	TOROIDAL COIL				2001F FR9.5	L0022453		1-	A	A1
L 6303	TOROIDAL COIL				2001F FR9.0X5.0X5.0	L0022453A		30-	A	A1
L 6304	COIL F1				4.5T9.0D2.0PVF R	L0022852		1-	A	F5
L 6305	M.RFC	1mH			LAL03TA102K	L1790119		1-	A	A1
L 6306	COIL A1				4.5T15D2.0PVF R	L0021950		1-	A	F5
L 6307	COIL F1				6.5T20D2.0PVF R	L0022851		1-	A	F4
L 6308	COIL A1				9.5T19D2.0PVF R	L0021952		1-	A	F3
L 6309	TOROIDAL COIL	1.21uH			#223247	L0022940		1-	A	G2
L 6310	TOROIDAL COIL	2.55uH			2.55U T106-2	L0022680		1-	A	F2
L 6311	TOROIDAL COIL	2.55uH			2.55U T106-2	L0022680		1-	A	E2
L 6312	M.RFC	22uH			LAP02TA220K	L1790062		1-	A	A2
L 6319	TOROIDAL COIL	260uH			260U 3A RI9.3-4.8-5	L0022767		1-	A	D1
L 6320	TOROIDAL COIL	1.21uH			#223247	L0022940		1-	A	G2
MO6301	STEPPINGMOTOR				MP24GA(250-OHM)	M2190023		4-		
MO6302	STEPPINGMOTOR				MP24GA(250-OHM)	M2190023		4-		
P 6303	WIRE ASSY				GRA 130 PINL/PINL	T9318156		4-		
Q 6301	FET				2SK210-GR(TE85R.F)	G3802107G		1-	A	A1
Q 6302	FET				2SK210-GR(TE85R.F)	G3802107G		1-	A	A1
Q 6303	TRANSISTOR				2SC2620QBTR	G3326207B		1-	A	A2
Q 6304	TRANSISTOR				2SC2620QBTR	G3326207B		1-	A	A2
Q 6305	IC				NJM2904M-TE2	G1093091		1-	A	A3
Q 6306	IC				TC74AC08F TP2	G1091283		1-	A	A2
Q 6307	IC				TC74AC112F(EL)	G1093667		1-	A	A2
R 6301	CHIPRES.	22	1/2W	5%	RMC1/2220JCTP	J24275220		1-	A	A2
R 6302	CHIPRES.	150	1/16W	5%	RMC1/16 151JATP	J24185151		1-	A	A1
R 6303	CHIPRES.	100k	1/16W	5%	RMC1/16 104JATP	J24185104		1-	A	A1
R 6304	CHIPRES.	10k	1/16W	5%	RMC1/16 103JATP	J24185103		1-	A	A2
R 6305	CHIPRES.	10k	1/16W	5%	RMC1/16 103JATP	J24185103		1-	A	A2
R 6306	CHIPRES.	100k	1/16W	5%	RMC1/16 104JATP	J24185104		1-	A	A1
R 6307	CHIPRES.	1.5k	1/16W	5%	RMC1/16 152JATP	J24185152		1-	A	A1
R 6308	CHIPRES.	1.5k	1/16W	5%	RMC1/16 152JATP	J24185152		1-	A	A1
R 6309	CHIPRES.	33k	1/16W	5%	RMC1/16 333JATP	J24185333		1-	A	A2
R 6310	CHIPRES.	33k	1/16W	5%	RMC1/16 333JATP	J24185333		1-	A	A2
R 6311	CHIPRES.	1.5k	1/16W	5%	RMC1/16 152JATP	J24185152		1-	A	A2
R 6312	CHIPRES.	1.5k	1/16W	5%	RMC1/16 152JATP	J24185152		1-	A	A2
R 6313	CHIPRES.	100k	1/16W	5%	RMC1/16 104JATP	J24185104		1-	A	A3
R 6314	CHIPRES.	100k	1/16W	5%	RMC1/16 104JATP	J24185104		1-	A	A2
R 6315	CHIPRES.	120k	1/16W	5%	RMC1/16 124JATP	J24185124		1-	A	A3

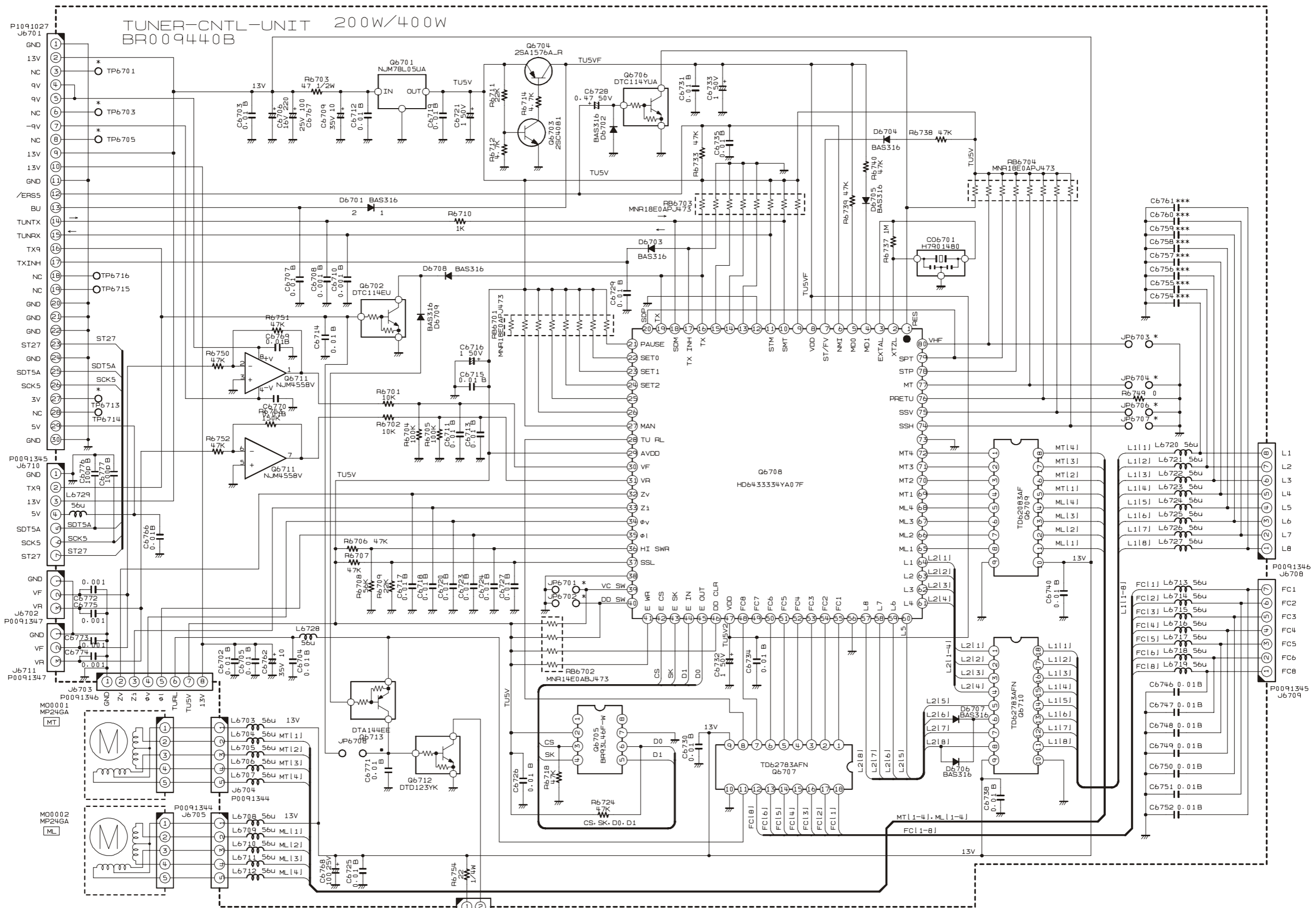
# TU-MAIN-A Unit

## Parts List

REF	DESCRIPTION	VALUE	V/W	TOL.	MFR'S DESIG	VXSTD P/N	VERS.	LOT	SIDE	LAY ADR
R 6316	CHIPRES.	120k	1/16W	5%	RMC1/16 124JATP	J24185124		1-	A	A3
R 6317	CHIPRES.	100k	1/16W	5%	RMC1/16 104JATP	J24185104		1-	A	A2
R 6318	CHIPRES.	120k	1/16W	5%	RMC1/16 124JATP	J24185124		1-	A	A2
R 6319	CHIPRES.	100k	1/16W	5%	RMC1/16 104JATP	J24185104		1-	A	A2
R 6320	CHIPRES.	120k	1/16W	5%	RMC1/16 124JATP	J24185124		1-	A	A2
R 6321	CHIPRES.	1k	1/16W	5%	RMC1/16 102JATP	J24185102		1-	A	A3
R 6322	CHIPRES.	1k	1/16W	5%	RMC1/16 102JATP	J24185102		1-	A	A3
R 6323	CHIPRES.	220	1/16W	5%	RMC1/16 221JATP	J24185221		1-	A	A3
R 6324	CHIPRES.	220	1/16W	5%	RMC1/16 221JATP	J24185221		1-	A	A3
R 6325	CHIPRES.	4.7k	1/16W	5%	RMC1/16 472JATP	J24185472		1-	A	A3
R 6326	CHIPRES.	4.7k	1/16W	5%	RMC1/16 472JATP	J24185472		1-	A	A3
R 6327	CHIPRES.	1k	1/16W	5%	RMC1/16 102JATP	J24185102		1-	A	A3
R 6328	CHIPRES.	1k	1/16W	5%	RMC1/16 102JATP	J24185102		1-	A	A3
R 6336	CHIPRES.	0	1/16W	5%	RMC1/16 000JATP	J24185000		1-	A	C2
R 6337	CHIPRES.	47	1W	5%	RMC1 470JTE	J24305470		1-	A	C1
R 6338	CHIPRES.	10k	1/16W	5%	RMC1/16 103JATP	J24185103		4-	A	C2
R 6339	CHIPRES.	47	1W	5%	RMC1 470JTE	J24305470		1-	A	D1
R 6340	CHIPRES.	10k	1/16W	5%	RMC1/16 103JATP	J24185103		4-	A	D2
R 6341	CHIPRES.	0	1/16W	5%	RMC1/16 000JATP	J24185000		1-	A	D2
R 6342	CHIPRES.	10k	1/4W	5%	RMC1/4 103JATP	J24245103		1-	A	C1
R 6343	CHIPRES.	10k	1/4W	5%	RMC1/4 103JATP	J24245103		1-	A	D1
RL6301	RELAY		DC12V		AJQ8341 DC12V	M1190115		1-	A	B2
RL6303	RELAY		DC12V		AJQ8341 DC12V	M1190115		1-	A	C2
RL6304	RELAY		DC12V		AJQ8341 DC12V	M1190115		1-	A	C2
RL6305	RELAY		DC12V		AJQ8341 DC12V	M1190115		1-	A	C2
RL6307	RELAY		DC12V		AJQ8341 DC12V	M1190115		1-	A	D2
RL6308	RELAY		DC12V		AJQ8341 DC12V	M1190115		1-	A	D2
RL6309	RELAY		DC12V		AJQ8341 DC12V	M1190115		1-	A	E2
RL6310	RELAY		DC12V		G2R-1-E DC12V	M1190141		1-	A	D5
RL6311	RELAY		DC12V		AJQ8341 DC12V	M1190115		1-	A	E2
RL6312	RELAY		DC12V		VSB12SMB DC12V	M1190140		1-	A	E5
RL6314	RELAY		DC12V		VSB12SMB DC12V	M1190140		1-	A	F5
RL6315	RELAY		DC12V		VSB12SMB DC12V	M1190140		1-	A	G5
RL6316	RELAY		DC12V		VSB12SMB DC12V	M1190140		1-	A	G4
RL6317	RELAY		DC12V		VSB12SMB DC12V	M1190140		1-	A	G3
RL6318	RELAY		DC12V		VSB12SMB DC12V	M1190140		1-	A	F1
RL6319	RELAY		DC12V		VSB12SMB DC12V	M1190140		1-	A	F1
RL6320	RELAY		DC12V		JS-12-K DC12V	M1190154		1-	A	B1
RL6321	RELAY		DC12V		JS-12-K DC12V	M1190154		1-	A	B2
TC6301	TRIMMERCAP.	10pF			CVB10-41 10PF	K91000247		1-	A	A1
TC6302	TRIMMERCAP.	10pF			CVB10-41 10PF	K91000247		1-	A	D1
TP6301	TERMINAL				TP-K IPS-1136	Q5000050		1-	A	A3
TP6302	TERMINAL				TP-K IPS-1136	Q5000050		1-	A	A3
VC6301	VARIABLE CAP.	125pF			KV-125-065A	K90000053		1-	A	B5
VC6302	VARIABLE CAP.	125pF			KV-125-065A	K90000053		1-	A	C5
	MOTOR HOLDER ASSY					RA0005700		4-		
	UNIVERSAL JOINT				SM-1116-7BL-M	S1000009		4-		
	SPACER				3X3	S5000198		4-		
	SHIELD CASE					RA0701300		4-		

# *TU-MAIN-A Unit*

*Note*

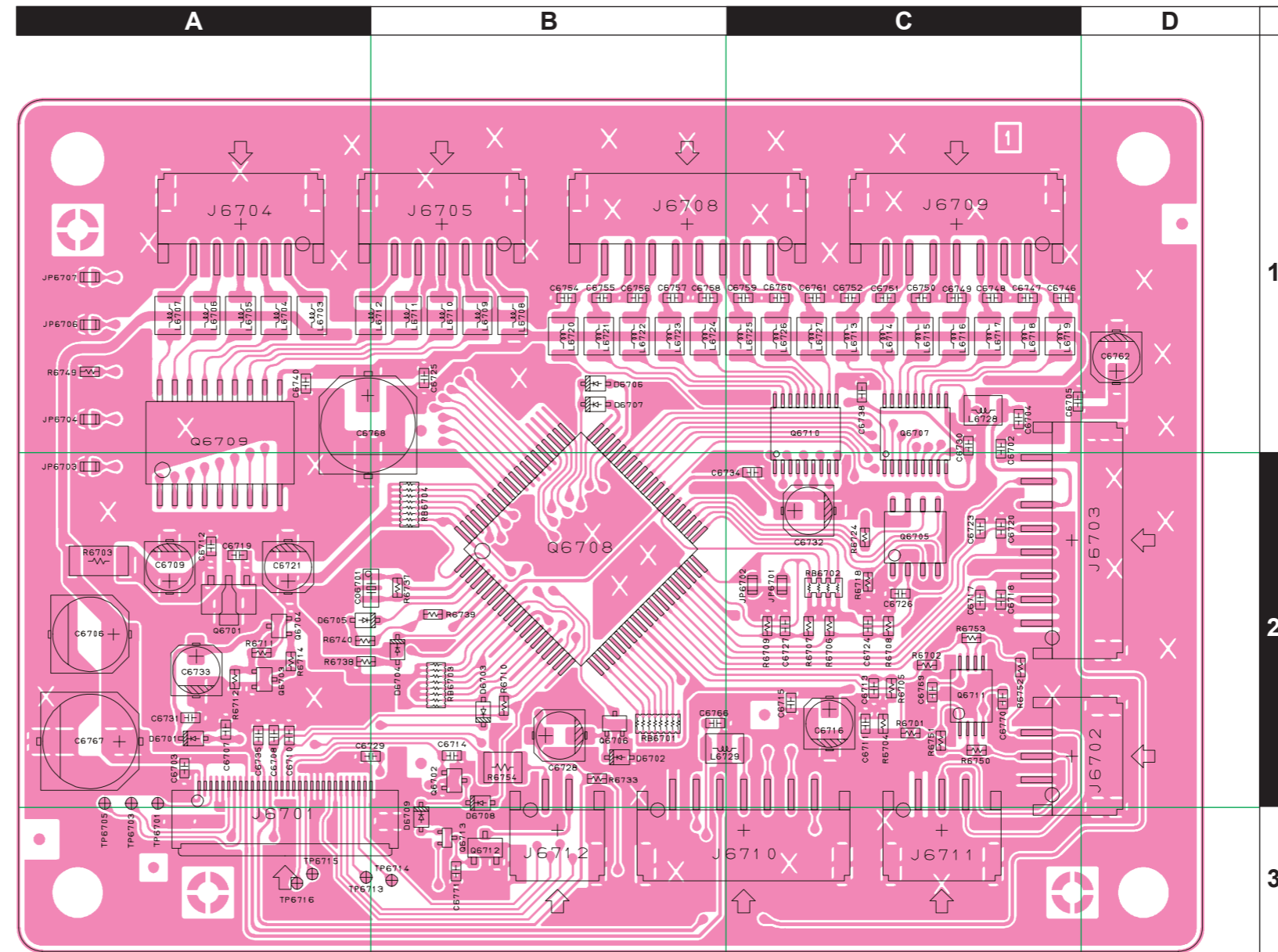


	D6709	JP6701	Q6713	R6751	R6753	R6754
200W	G2070716	JP3(OPEN)	G3070074	J24185473	J24185154	J24245220
400W	***	T50502000	***	J24185333	J24185473	J24245100

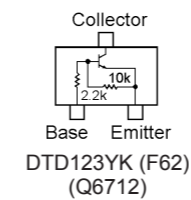
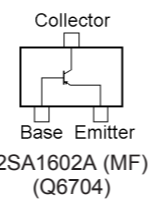
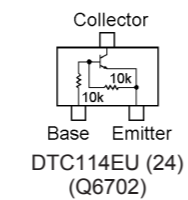
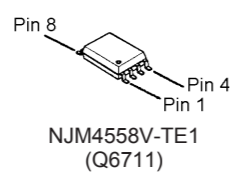
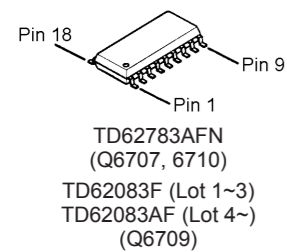
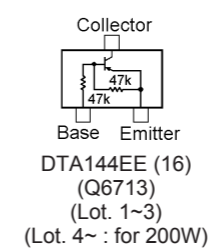
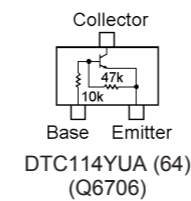
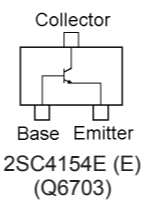
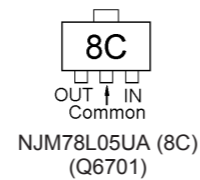
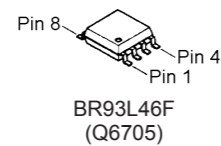
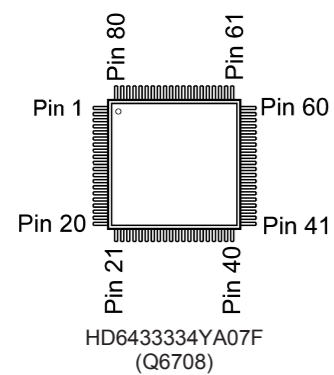
J6712	P0091352	13V	FAN
-------	----------	-----	-----

## ***TUNER-CNTL Unit***

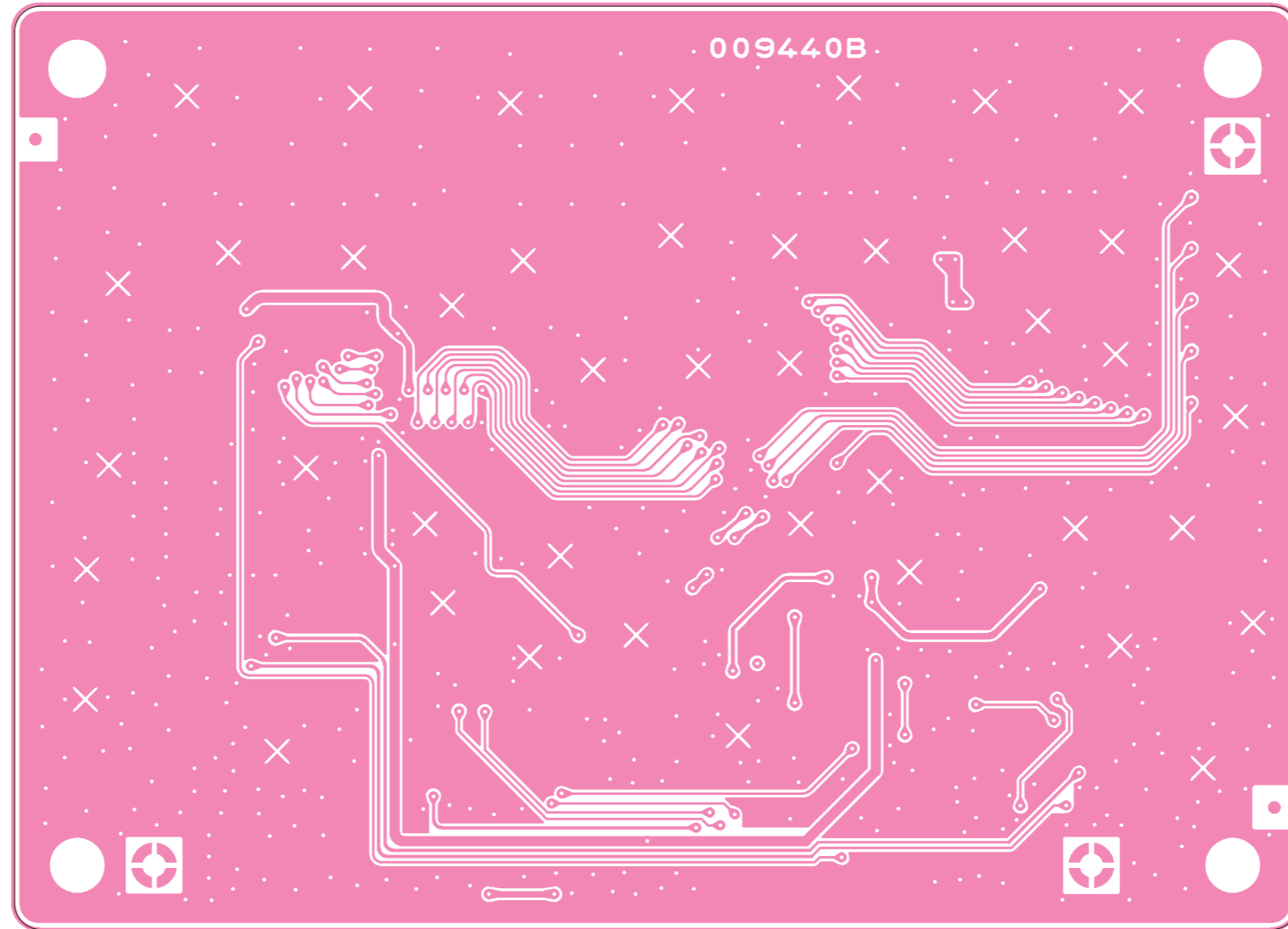
*Note*



Side A



*TUNER-CNTL Unit*



Side B

# TUNER-CNTL Unit

## Parts List

REF	DESCRIPTION	VALUE	V/W	TOL.	MFR'S DESIG	YAESU P/N	VERS.	LOT	SIDE	LAY ADR
PCB with Components						CB2021002	200W	1-15		
						CB2021003	400W	1-15		
						CB2021004	200W, CE:OFF16-			
						CB2021005	200W, CE:ON16-			
						CB2021006	400W, CE:OFF16-			
						CB2021007	400W, CE:ON16-			
C 6702	CHIP CAP.	0.01uF	50V	B	GRM188B11H103KA01D	K22174823		1-	A	C1
C 6703	CHIP CAP.	0.01uF	50V	B	GRM188B11H103KA01D	K22174823		1-	A	A2
C 6704	CHIP CAP.	0.01uF	50V	B	GRM188B11H103KA01D	K22174823		1-	A	C1
C 6705	CHIP CAP.	0.01uF	50V	B	GRM188B11H103KA01D	K22174823		1-	A	C1
C 6706	AL.ELECTRO.CAP.	220uF	16V		EMVA160ADA221MF80G	K48120021		1-	A	A2
C 6707	CHIP CAP.	0.01uF	50V	B	GRM188B11H103KA01D	K22174823		1-	A	A2
C 6708	CHIP CAP.	0.001uF	50V	B	GRM188B11H102KA01D	K22174821		1-	A	A2
C 6709	AL.ELECTRO.CAP.	10uF	35V		ECEV1VA100WR	K48160004		1-	A	A2
C 6709	AL.ELECTRO.CAP.	10uF	35V		EEE1VA100WR	K48160006		9-	A	A2
C 6710	CHIP CAP.	0.001uF	50V	B	GRM188B11H102KA01D	K22174821		1-	A	A2
C 6711	CHIP CAP.	0.01uF	50V	B	GRM188B11H103KA01D	K22174823		1-	A	C2
C 6712	CHIP CAP.	0.01uF	50V	B	GRM188B11H103KA01D	K22174823		1-	A	A2
C 6713	CHIP CAP.	0.01uF	50V	B	GRM188B11H103KA01D	K22174823		1-	A	C2
C 6714	CHIP CAP.	0.01uF	50V	B	GRM188B11H103KA01D	K22174823		1-	A	B2
C 6715	CHIP CAP.	0.01uF	50V	B	GRM188B11H103KA01D	K22174823		1-	A	C2
C 6716	AL.ELECTRO.CAP.	1uF	50V		ECEV1HA010SR	K48170019		1-15	A	C2
C 6716	AL.ELECTRO.CAP.	1uF	50V		EEE1HA010SR	K48170027	W/ CE LABEL	16-22	A	C2
C 6716	AL.ELECTRO.CAP.	1uF	50V		ECEV1HA010SR	K48170019	W/O CE LABEL	16-22	A	C2
C 6716	AL.ELECTRO.CAP.	1uF	50V		EEE1HA010SR	K48170027		23-	A	C2
C 6717	CHIP CAP.	0.01uF	50V	B	GRM188B11H103KA01D	K22174823		1-	A	C2
C 6718	CHIP CAP.	0.01uF	50V	B	GRM188B11H103KA01D	K22174823		1-	A	C2
C 6719	CHIP CAP.	0.01uF	50V	B	GRM188B11H103KA01D	K22174823		1-	A	A2
C 6720	CHIP CAP.	0.01uF	50V	B	GRM188B11H103KA01D	K22174823		1-	A	C2
C 6721	AL.ELECTRO.CAP.	1uF	50V		ECEV1HA010SR	K48170019		1-15	A	A2
C 6721	AL.ELECTRO.CAP.	1uF	50V		EEE1HA010SR	K48170027	W/ CE LABEL	16-22	A	A2
C 6721	AL.ELECTRO.CAP.	1uF	50V		ECEV1HA010SR	K48170019	W/O CE LABEL	16-22	A	A2
C 6721	AL.ELECTRO.CAP.	1uF	50V		EEE1HA010SR	K48170027		23-	A	A2
C 6723	CHIP CAP.	0.01uF	50V	B	GRM188B11H103KA01D	K22174823		1-	A	C2
C 6724	CHIP CAP.	0.01uF	50V	B	GRM188B11H103KA01D	K22174823		1-	A	C2
C 6725	CHIP CAP.	0.01uF	50V	B	GRM188B11H103KA01D	K22174823		1-	A	B1
C 6726	CHIP CAP.	0.01uF	50V	B	GRM188B11H103KA01D	K22174823		1-	A	C2
C 6727	CHIP CAP.	0.01uF	50V	B	GRM188B11H103KA01D	K22174823		1-	A	C2
C 6728	AL.ELECTRO.CAP.	0.47uF	50V		ECEV1HAR47SR	K48170013		1-15	A	B2
C 6728	AL.ELECTRO.CAP.	0.47uF	50V		EEE1HAR47SR	K48170023	W/ CE LABEL	16-22	A	B2
C 6728	AL.ELECTRO.CAP.	0.47uF	50V		ECEV1HAR47SR	K48170013	W/O CE LABEL	16-22	A	B2
C 6728	AL.ELECTRO.CAP.	0.47uF	50V		EEE1HAR47SR	K48170023		23-	A	B2
C 6729	CHIP CAP.	0.01uF	50V	B	GRM188B11H103KA01D	K22174823		1-	A	A2
C 6730	CHIP CAP.	0.01uF	50V	B	GRM188B11H103KA01D	K22174823		1-	A	C1
C 6731	CHIP CAP.	0.01uF	50V	B	GRM188B11H103KA01D	K22174823		1-	A	A2
C 6732	AL.ELECTRO.CAP.	1uF	50V		ECEV1HA010SR	K48170019		1-15	A	C2
C 6732	AL.ELECTRO.CAP.	1uF	50V		EEE1HA010SR	K48170027	W/ CE LABEL	16-22	A	C2
C 6732	AL.ELECTRO.CAP.	1uF	50V		ECEV1HA010SR	K48170019	W/O CE LABEL	16-22	A	C2
C 6732	AL.ELECTRO.CAP.	1uF	50V		EEE1HA010SR	K48170027		23-	A	C2
C 6733	AL.ELECTRO.CAP.	1uF	50V		ECEV1HA010SR	K48170019		1-15	A	A2
C 6733	AL.ELECTRO.CAP.	1uF	50V		EEE1HA010SR	K48170027	W/ CE LABEL	16-22	A	A2
C 6733	AL.ELECTRO.CAP.	1uF	50V		ECEV1HA010SR	K48170019	W/O CE LABEL	16-22	A	A2
C 6733	AL.ELECTRO.CAP.	1uF	50V		EEE1HA010SR	K48170027		23-	A	A2
C 6734	CHIP CAP.	0.01uF	50V	B	GRM188B11H103KA01D	K22174823		1-	A	C2
C 6735	CHIP CAP.	0.01uF	50V	B	GRM188B11H103KA01D	K22174823		1-	A	A2
C 6738	CHIP CAP.	0.01uF	50V	B	GRM188B11H103KA01D	K22174823		1-	A	C1
C 6740	CHIP CAP.	0.01uF	50V	B	GRM188B11H103KA01D	K22174823		1-	A	A1
C 6746	CHIP CAP.	0.01uF	50V	B	GRM188B11H103KA01D	K22174823		1-	A	C1
C 6747	CHIP CAP.	0.01uF	50V	B	GRM188B11H103KA01D	K22174823		1-	A	C1
C 6748	CHIP CAP.	0.01uF	50V	B	GRM188B11H103KA01D	K22174823		1-	A	C1
C 6749	CHIP CAP.	0.01uF	50V	B	GRM188B11H103KA01D	K22174823		1-	A	C1
C 6750	CHIP CAP.	0.01uF	50V	B	GRM188B11H103KA01D	K22174823		1-	A	C1
C 6751	CHIP CAP.	0.01uF	50V	B	GRM188B11H103KA01D	K22174823		1-	A	C1
C 6752	CHIP CAP.	0.01uF	50V	B	GRM188B11H103KA01D	K22174823		1-	A	C1
C 6762	AL.ELECTRO.CAP.	10uF	35V		ECEV1VA100WR	K48160004		1-	A	D1
C 6762	AL.ELECTRO.CAP.	10uF	35V		EEE1VA100WR	K48160006		9-	A	D1
C 6766	CHIP CAP.	0.01uF	50V	B	GRM188B11H103KA01D	K22174823		1-	A	B2
C 6767	AL.ELECTRO.CAP.	100uF	25V		ECEV1EA101UP	K48140013		1-	A	A2
C 6767	AL.ELECTRO.CAP.	100uF	25V		EEE1EA101UP	K48140018		8-	A	A2
C 6768	AL.ELECTRO.CAP.	100uF	25V		ECEV1EA101UP	K48140013		1-	A	A1
C 6768	AL.ELECTRO.CAP.	100uF	25V		EEE1EA101UP	K48140018		8-	A	A1
C 6769	CHIP CAP.	0.01uF	50V	B	GRM188B11H103KA01D	K22174823		1-	A	C2
C 6770	CHIP CAP.	0.01uF	50V	B	GRM188B11H103KA01D	K22174823		1-	A	C2



# TUNER-CNTL Unit

## Parts List

REF	DESCRIPTION	VALUE	V/W	TOL.	MFR'S DESIG	YAESU P/N	VERS.	LOT	SIDE	LAY ADR
C 6771	CHIP CAP.	0.01uF	50V	B	GRM188B11H103KA01D	K22174823		1-	A	B3
C 6772	CHIP CAP.	0.001uF	50V	B	GRM188B11H102KA01D	K22174809		1-		
C 6773	CHIP CAP.	0.001uF	50V	B	GRM188B11H102KA01D	K22174809		1-		
C 6774	CERAMIC CAP.	0.001uF	50V	B	UP050B102K-A-B	K28179001		1-		
C 6775	CERAMIC CAP.	0.001uF	50V	B	UP050B102K-A-B	K28179001		1-		
C 6776	CERAMIC CAP.	330pF	50V	B	UP050B331K-A-B	K28179085		5-		
C 6776	CERAMIC CAP.	100pF	50V	B	UP050B101K-A-B	K28179004		30-		
C 6777	CERAMIC CAP.	330pF	50V	B	UP050B331K-A-B	K28179085		5-		
C 6777	CERAMIC CAP.	100pF	50V	B	UP050B101K-A-B	K28179004		30-		
CO6701	CERAMIC OSC				CSTCE16M0V53-R0	H7901480		1-	A	A2
D 6701	DIODE				BAS316	G2070716		1-	A	A2
D 6702	DIODE				BAS316	G2070716		1-	A	B2
D 6703	DIODE				BAS316	G2070716		1-	A	B2
D 6704	DIODE				BAS316	G2070716		1-	A	B2
D 6705	DIODE				BAS316	G2070716		1-	A	A2
D 6706	DIODE				BAS316	G2070716		1-	A	B1
D 6707	DIODE				BAS316	G2070716		1-	A	B1
D 6708	DIODE				BAS316	G2070716		1-	A	B2
D 6709	DIODE				BAS316	G2070716		1-3	A	B3
D 6709	DIODE				BAS316	G2070716	200W	4-	A	B3
J 6701	CONNECTOR				IL-FHR-F30S-HF-E3000	P1091027		1-	A	A3
J 6702	CONNECTOR				S3B-PH-SM4-TB(LF)(SN)	P0091347		1-	A	C2
J 6703	CONNECTOR				S8B-PH-SM4-TB(LF)(SN)	P0091346		1-	A	C2
J 6704	CONNECTOR				S5B-PH-SM4-TB(LF)(SN)	P0091344		1-	A	A1
J 6705	CONNECTOR				S5B-PH-SM4-TB(LF)(SN)	P0091344		1-	A	B1
J 6708	CONNECTOR				S8B-PH-SM4-TB(LF)(SN)	P0091346		1-	A	B1
J 6709	CONNECTOR				S7B-PH-SM4-TB(LF)(SN)	P0091345		1-	A	C1
J 6710	CONNECTOR				S7B-PH-SM4-TB(LF)(SN)	P0091345		1-	A	C3
J 6711	CONNECTOR				S3B-PH-SM4-TB(LF)(SN)	P0091347		1-	A	C3
J 6712	CONNECTOR				S2B-PH-SM4-TB(LF)(SN)	P0091352		1-	A	B3
JP6701	WIRE ASSY				GRN 20 2/2	T50502000	400W	4-	A	C2
L 6703	M.RFC	56uH			LLM3225-560J	L1691142		1-	A	A1
L 6704	M.RFC	56uH			LLM3225-560J	L1691142		1-	A	A1
L 6705	M.RFC	56uH			LLM3225-560J	L1691142		1-	A	A1
L 6706	M.RFC	56uH			LLM3225-560J	L1691142		1-	A	A1
L 6707	M.RFC	56uH			LLM3225-560J	L1691142		1-	A	A1
L 6708	M.RFC	56uH			LLM3225-560J	L1691142		1-	A	B1
L 6709	M.RFC	56uH			LLM3225-560J	L1691142		1-	A	B1
L 6710	M.RFC	56uH			LLM3225-560J	L1691142		1-	A	B1
L 6711	M.RFC	56uH			LLM3225-560J	L1691142		1-	A	B1
L 6712	M.RFC	56uH			LLM3225-560J	L1691142		1-	A	A1
L 6713	M.RFC	56uH			LLM3225-560J	L1691142		1-	A	C1
L 6714	M.RFC	56uH			LLM3225-560J	L1691142		1-	A	C1
L 6715	M.RFC	56uH			LLM3225-560J	L1691142		1-	A	C1
L 6716	M.RFC	56uH			LLM3225-560J	L1691142		1-	A	C1
L 6717	M.RFC	56uH			LLM3225-560J	L1691142		1-	A	C1
L 6718	M.RFC	56uH			LLM3225-560J	L1691142		1-	A	C1
L 6719	M.RFC	56uH			LLM3225-560J	L1691142		1-	A	C1
L 6720	M.RFC	56uH			LLM3225-560J	L1691142		1-	A	B1
L 6721	M.RFC	56uH			LLM3225-560J	L1691142		1-	A	B1
L 6722	M.RFC	56uH			LLM3225-560J	L1691142		1-	A	B1
L 6723	M.RFC	56uH			LLM3225-560J	L1691142		1-	A	B1
L 6724	M.RFC	56uH			LLM3225-560J	L1691142		1-	A	B1
L 6725	M.RFC	56uH			LLM3225-560J	L1691142		1-	A	C1
L 6726	M.RFC	56uH			LLM3225-560J	L1691142		1-	A	C1
L 6727	M.RFC	56uH			LLM3225-560J	L1691142		1-	A	C1
L 6728	M.RFC	56uH			LLM3225-560J	L1691142		1-	A	C1
L 6729	M.RFC	56uH			LLM3225-560J	L1691142		1-	A	B2
Q 6701	IC				NJM78L05UA-TE1	G1091325		1-	A	A2
Q 6702	TRANSISTOR				DTC114EUA T106	G3070084		1-	A	B2
Q 6703	TRANSISTOR				2SC4154-T111-1E	G3341548E		1-	A	A2
Q 6703	TRANSISTOR				2SC4081 T106	G3340818		29-	A	A2
Q 6704	TRANSISTOR				2SA1602A-T111-1F	G3116028F		1-	A	A2
Q 6704	TRANSISTOR				ISA1602AM1-T111-1F	G3070380		23-	A	A2
Q 6704	TRANSISTOR				2SA1576A T106 R	G3115768R		29-	A	A2
Q 6705	IC				BR93L46F-WE2	G1093884		1-	A	C2
Q 6706	TRANSISTOR				DTC114YUA T106	G3070298		1-	A	B2
Q 6707	IC				TD62783AFNG(5.S.EL)	G1092700		1-	A	C1
Q 6708	IC				HD6433334YA07F	G1092665		1-	A	B2
Q 6709	IC				TD62083F(EL)	G1094129		1-	A	A1
Q 6709	IC				TD62083AF(EL)	G1094247		4-	A	A1
Q 6710	IC				TD62783AFNG(5.S.EL)	G1092700		1-	A	C1
Q 6711	IC				NJM4558V-TE1	G1093250		1-	A	C2

# TUNER-CNTL Unit

## Parts List

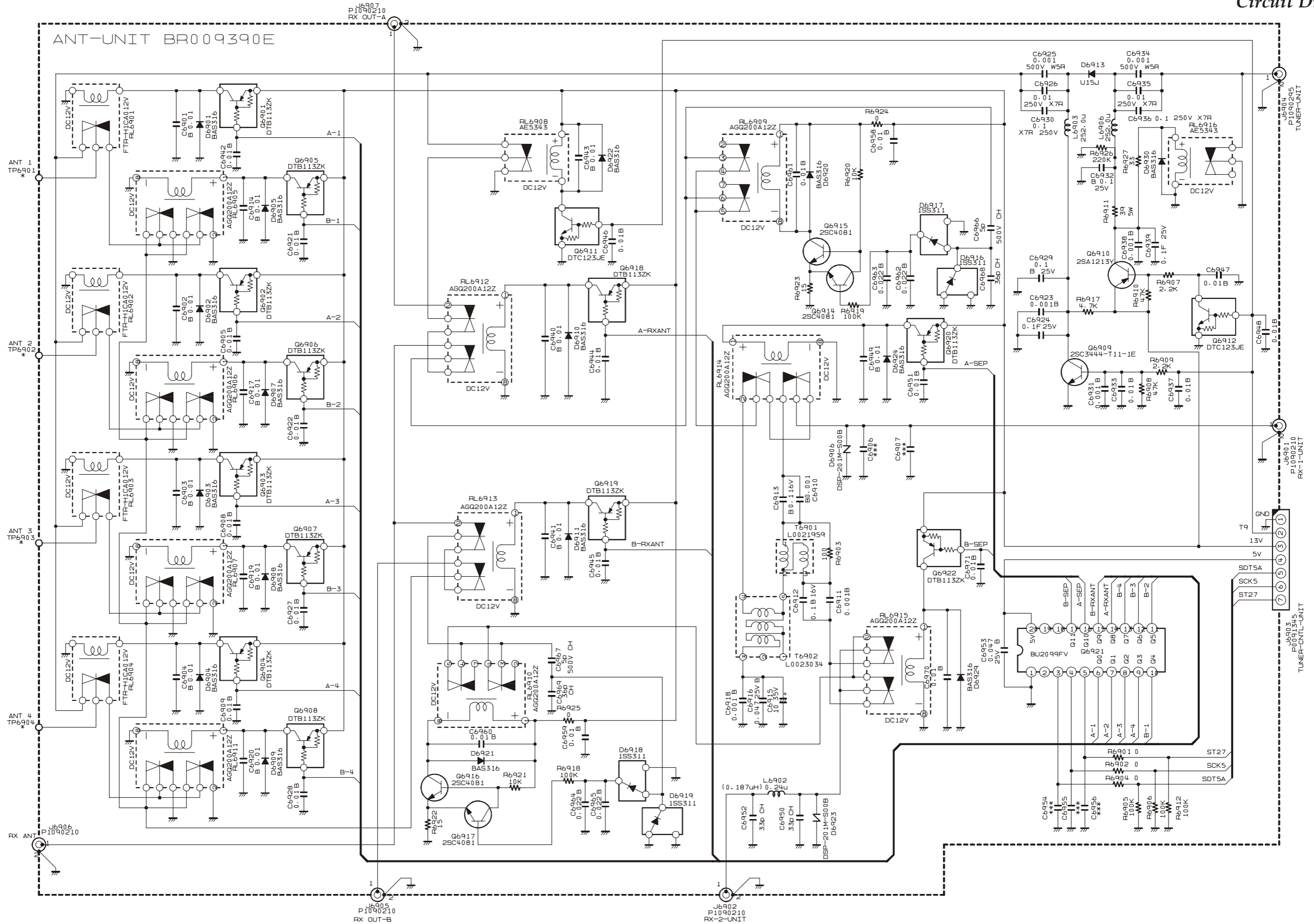
REF	DESCRIPTION	VALUE	V/W	TOL.	MFR'S DESIG	YAESU P/N	VERS.	LOT	SIDE	LAY ADR
Q 6712	TRANSISTOR				DTD123YK T146	G3070157		1-	A	B3
Q 6713	TRANSISTOR				DTA144EE TL	G3070074		1-3	A	B3
Q 6713	TRANSISTOR				DTA144EE TL	G3070074	200W	4-	A	B3
R 6701	CHIP RES.	10k	1/16W	5%	RMC1/16 103JATP	J24185103		1-	A	C2
R 6702	CHIP RES.	10k	1/16W	5%	RMC1/16 103JATP	J24185103		1-	A	C2
R 6703	CHIP RES.	47	1/2W	5%	RMC1/2 470JCTP	J24275470		1-	A	A2
R 6704	CHIP RES.	100k	1/16W	5%	RMC1/16 104JATP	J24185104		1-	A	C2
R 6705	CHIP RES.	100k	1/16W	5%	RMC1/16 104JATP	J24185104		1-	A	C2
R 6706	CHIP RES.	47k	1/16W	5%	RMC1/16 473JATP	J24185473		1-	A	C2
R 6707	CHIP RES.	47k	1/16W	5%	RMC1/16 473JATP	J24185473		1-	A	C2
R 6708	CHIP RES.	56k	1/16W	5%	RMC1/16 563JATP	J24185563		1-	A	C2
R 6709	CHIP RES.	22k	1/16W	5%	RMC1/16 223JATP	J24185223		1-	A	C2
R 6710	CHIP RES.	1k	1/16W	5%	RMC1/16 102JATP	J24185102		1-	A	B2
R 6711	CHIP RES.	22k	1/16W	5%	RMC1/16 223JATP	J24185223		1-	A	A2
R 6712	CHIP RES.	4.7k	1/16W	5%	RMC1/16 472JATP	J24185472		1-	A	A2
R 6714	CHIP RES.	4.7k	1/16W	5%	RMC1/16 472JATP	J24185472		1-	A	A2
R 6718	CHIP RES.	47k	1/16W	5%	RMC1/16 473JATP	J24185473		1-	A	C2
R 6724	CHIP RES.	47k	1/16W	5%	RMC1/16 473JATP	J24185473		1-	A	C2
R 6733	CHIP RES.	47k	1/16W	5%	RMC1/16 473JATP	J24185473		1-	A	B2
R 6737	CHIP RES.	1M	1/16W	5%	RMC1/16 105JATP	J24185105		1-	A	B2
R 6738	CHIP RES.	47k	1/16W	5%	RMC1/16 473JATP	J24185473		1-	A	A2
R 6739	CHIP RES.	47k	1/16W	5%	RMC1/16 473JATP	J24185473		1-	A	B2
R 6740	CHIP RES.	47k	1/16W	5%	RMC1/16 473JATP	J24185473		1-	A	A2
R 6749	CHIP RES.	0	1/16W	5%	RMC1/16 000JATP	J24185000		1-	A	A1
R 6750	CHIP RES.	47k	1/16W	5%	RMC1/16 473JATP	J24185473		1-	A	C2
R 6751	CHIP RES.	47k	1/16W	5%	RMC1/16 473JATP	J24185473		1-3	A	C2
R 6751	CHIP RES.	47k	1/16W	5%	RMC1/16 473JATP	J24185473	200W	4-	A	C2
R 6751	CHIP RES.	33k	1/16W	5%	RMC1/16 333JATP	J24185333	400W	4-	A	C2
R 6752	CHIP RES.	47k	1/16W	5%	RMC1/16 473JATP	J24185473		1-	A	C2
R 6753	CHIP RES.	150k	1/16W	5%	RMC1/16 154JATP	J24185154		1-3	A	C2
R 6753	CHIP RES.	150k	1/16W	5%	RMC1/16 154JATP	J24185154	200W	4-	A	C2
R 6753	CHIP RES.	47k	1/16W	5%	RMC1/16 473JATP	J24185473	400W	4-	A	C2
R 6754	CHIP RES.	22	1/4W	5%	RMC1/4 220JATP	J24245220		1-3	A	B2
R 6754	CHIP RES.	22	1/4W	5%	RMC1/4 220JATP	J24245220	200W	4-	A	B2
R 6754	CHIP RES.	10	1/4W	5%	RMC1/4 100JATP	J24245100	400W	4-	A	B2
RB6701	BLOCK RES.				MNR18E0APJ473	J42900034		1-	A	B2
RB6702	BLOCK RES.				MNR14E0ABJ473	J42900031		1-	A	C2
RB6703	BLOCK RES.				MNR18E0APJ473	J42900034		1-	A	B2
RB6704	BLOCK RES.				MNR18E0APJ473	J42900034		1-	A	B2

# *TUNER-CNTL Unit*

*Note*

# ANT Unit (D, Contest Type)

## Circuit Diagram

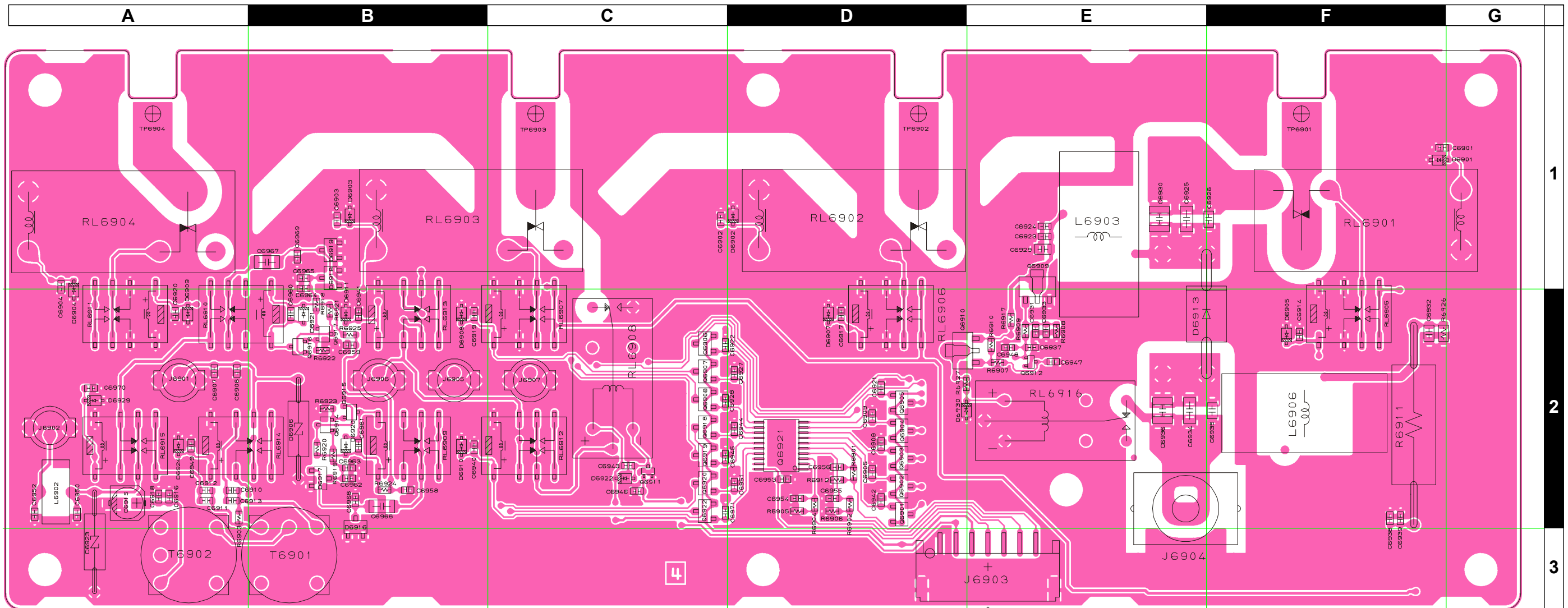


*ANT Unit (D, Contest Type)*

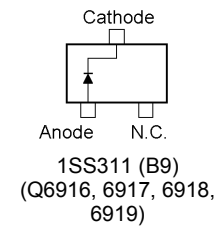
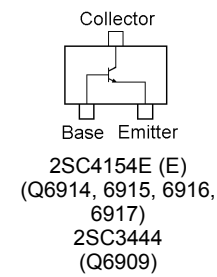
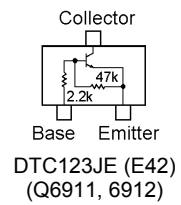
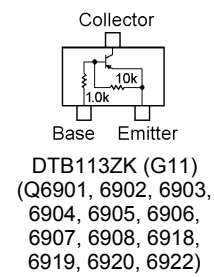
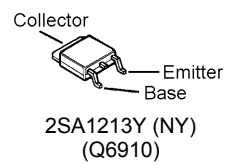
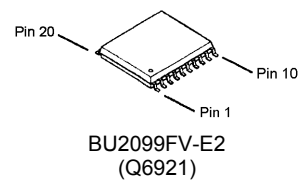
*Note*

# ANT Unit (D, Contest Type)

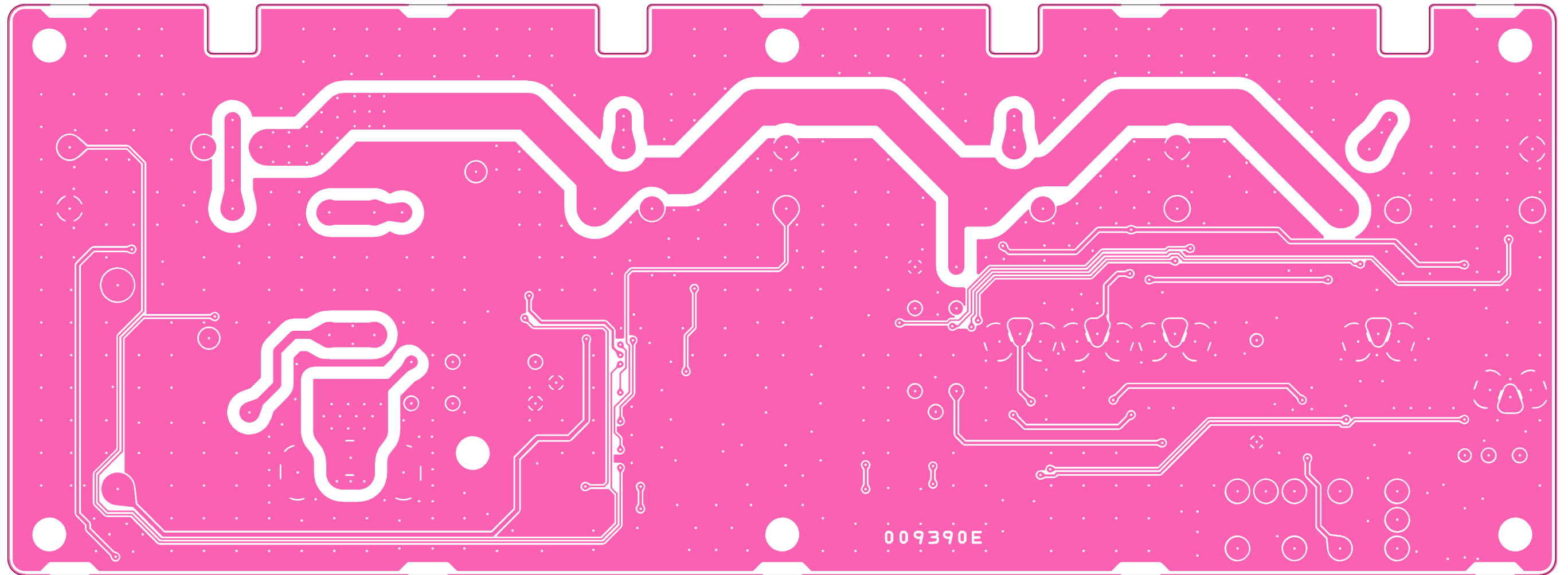
## Parts Layout



Side A



*ANT Unit (D, Contest Type)*



Side B

# ANT Unit (D, Contest Type)

## Parts List

REF	DESCRIPTION	VALUE	V/W	TOL.	MFR'S DESIG	VXSTD P/N	VERS.	LOT	SIDE	LAY	ADR
	PCB with Components						CB2196001				
	Printed Circuit Board						FR009390C		1		
	Printed Circuit Board						FR009390D		2-		
	Printed Circuit Board						FR009390E		4-		
C 6901	CHIP CAP.	0.01uF	50V	B	GRM188B11H103KA01D	K22174823		1-	A	G1	
C 6902	CHIP CAP.	0.01uF	50V	B	GRM188B11H103KA01D	K22174823		1-	A	C1	
C 6903	CHIP CAP.	0.01uF	50V	B	GRM188B11H103KA01D	K22174823		1-	A	B1	
C 6904	CHIP CAP.	0.01uF	50V	B	GRM188B11H103KA01D	K22174823		1-	A	A1	
C 6905	CHIP CAP.	0.01uF	50V	B	GRM188B11H103KA01D	K22174823		1-	A	D2	
C 6908	CHIP CAP.	0.01uF	50V	B	GRM188B11H103KA01D	K22174823		1-	A	D2	
C 6909	CHIP CAP.	0.01uF	50V	B	GRM188B11H103KA01D	K22174823		1-	A	D2	
C 6910	CHIP CAP.	0.001uF	50V	B	GRM188B11H102KA01D	K22174821		1-	A	A2	
C 6911	CHIP CAP.	0.001uF	50V	B	GRM188B11H102KA01D	K22174821		1-	A	A2	
C 6912	CHIP CAP.	0.1uF	16V	B	GRM188B11C104KA01D	K22124805		1-	A	A2	
C 6913	CHIP CAP.	0.1uF	16V	B	GRM188B11C104KA01D	K22124805		1-	A	A2	
C 6914	CHIP CAP.	0.01uF	50V	B	GRM188B11H103KA01D	K22174823		1-	A	F1	
C 6915	AL.ELECTRO.CAP.	10uF	35V		ECEV1VA100WR	K48160004		1-	A	A2	
C 6915	AL.ELECTRO.CAP.	10uF	35V		EEE1VA100WR	K48160006		9-	A	A2	
C 6916	CHIP CAP.	0.047uF	16V	B	GRM39B473K16PT	K22124804		1-	A	A2	
C 6916	CHIP CAP.	0.047uF	25V	B	GRM188B11E473KA01D	K22144811		27-	A	A2	
C 6917	CHIP CAP.	0.01uF	50V	B	GRM188B11H103KA01D	K22174823		1-	A	D1	
C 6918	CHIP CAP.	0.001uF	50V	B	GRM188B11H102KA01D	K22174821		1-	A	A2	
C 6919	CHIP CAP.	0.01uF	50V	B	GRM188B11H103KA01D	K22174823		1-	A	B1	
C 6920	CHIP CAP.	0.01uF	50V	B	GRM188B11H103KA01D	K22174823		1-	A	A1	
C 6921	CHIP CAP.	0.01uF	50V	B	GRM188B11H103KA01D	K22174823		1-	A	D2	
C 6922	CHIP CAP.	0.01uF	50V	B	GRM188B11H103KA01D	K22174823		1-	A	D1	
C 6923	CHIP CAP.	0.001uF	50V	B	GRM188B11H102KA01D	K22174821		1-	A	E1	
C 6924	CHIP CAP.	0.1uF	25V	F	GRM188F11E104ZA01D	K22145001		1-	A	E1	
C 6925	CHIP CAP.	0.001uF	500V	W5R	GRM42-6W5R102K500PT	K22271801		1	A	E1	
C 6925	CHIP CAP.	0.001uF	500V	W5R	CF316W5R102K500AT	K22271802		2-	A	E1	
C 6926	CHIP CAP.	0.01uF	250V	X7R	GRM21BR72E103KW03L	K22240801		1-	A	F1	
C 6927	CHIP CAP.	0.01uF	50V	B	GRM188B11H103KA01D	K22174823		1-	A	D1	
C 6928	CHIP CAP.	0.01uF	50V	B	GRM188B11H103KA01D	K22174823		1-	A	D2	
C 6929	CHIP CAP.	0.1uF	25V	B	GRM21BB11E104KA01L	K22140811		1-	A	E1	
C 6930	CHIP CAP.	0.1uF	250V	X7R	GRM32DR72E104KW01L	K22245801		1-	A	E1	
C 6931	CHIP CAP.	0.001uF	50V	B	GRM188B11H102KA01D	K22174821		1-	A	E1	
C 6932	CHIP CAP.	0.1uF	25V	B	GRM21BB11E104KA01L	K22140811		1-	A	F1	
C 6933	CHIP CAP.	0.01uF	50V	B	GRM188B11H103KA01D	K22174823		1-	A	E1	
C 6934	CHIP CAP.	0.001uF	500V	W5R	GRM42-6W5R102K500PT	K22271801		1	A	E2	
C 6934	CHIP CAP.	0.001uF	500V	W5R	CF316W5R102K500AT	K22271802		2-	A	E2	
C 6935	CHIP CAP.	0.01uF	250V	X7R	GRM21BR72E103KW03L	K22240801		1-	A	F2	
C 6936	CHIP CAP.	0.1uF	250V	X7R	GRM32DR72E104KW01L	K22245801		1-	A	E2	
C 6937	CHIP CAP.	0.01uF	50V	B	GRM188B11H103KA01D	K22174823		1-	A	E1	
C 6938	CHIP CAP.	0.001uF	50V	B	GRM188B11H102KA01D	K22174821		1-	A	F2	
C 6939	CHIP CAP.	0.1uF	25V	F	GRM188F11E104ZA01D	K22145001		1-	A	F2	
C 6940	CHIP CAP.	0.01uF	50V	B	GRM188B11H103KA01D	K22174823		1-	A	B2	
C 6941	CHIP CAP.	0.01uF	50V	B	GRM188B11H103KA01D	K22174823		1-	A	B1	
C 6942	CHIP CAP.	0.01uF	50V	B	GRM188B11H103KA01D	K22174823		1-	A	D2	
C 6943	CHIP CAP.	0.01uF	50V	B	GRM188B11H103KA01D	K22174823		1-	A	C2	
C 6944	CHIP CAP.	0.01uF	50V	B	GRM188B11H103KA01D	K22174823		1-	A	D2	
C 6945	CHIP CAP.	0.01uF	50V	B	GRM188B11H103KA01D	K22174823		1-	A	D2	
C 6946	CHIP CAP.	0.01uF	50V	B	GRM188B11H103KA01D	K22174823		1-	A	C2	
C 6947	CHIP CAP.	0.01uF	50V	B	GRM188B11H103KA01D	K22174823		1-	A	E1	
C 6948	CHIP CAP.	0.01uF	50V	B	GRM188B11H103KA01D	K22174823		1-	A	E1	
C 6949	CHIP CAP.	0.01uF	50V	B	GRM188B11H103KA01D	K22174823		1-	A	A2	
C 6950	CHIP CAP.	33pF	50V	CH	GRM1882C1H330JA01D	K22174223		1-	A	A2	
C 6951	CHIP CAP.	0.01uF	50V	B	GRM188B11H103KA01D	K22174823		1-	A	D2	
C 6952	CHIP CAP.	33pF	50V	CH	GRM1882C1H330JA01D	K22174223		1-	A	A2	
C 6953	CHIP CAP.	0.047uF	16V	B	GRM39B473K16PT	K22124804		1-	A	D2	
C 6953	CHIP CAP.	0.047uF	25V	B	GRM188B11E473KA01D	K22144811		27-	A	D2	
C 6958	CHIP CAP.	0.01uF	50V	B	GRM188B11H103KA01D	K22174823		1-	A	B2	
C 6959	CHIP CAP.	0.01uF	50V	B	GRM188B11H103KA01D	K22174823		1-	A	B1	
C 6960	CHIP CAP.	0.01uF	50V	B	GRM188B11H103KA01D	K22174823		1-	A	B1	
C 6961	CHIP CAP.	0.01uF	50V	B	GRM188B11H103KA01D	K22174823		1-	A	B2	
C 6962	CHIP CAP.	0.022uF	25V	B	GRM39B223K25PT	K22144807		1-	A	B2	
C 6962	CHIP CAP.	0.022uF	50V	B	GRM188B11H223KA01D	K22174839		27-	A	B2	
C 6963	CHIP CAP.	0.022uF	25V	B	GRM39B223K25PT	K22144807		1-	A	B2	
C 6963	CHIP CAP.	0.022uF	50V	B	GRM188B11H223KA01D	K22174839		27-	A	B2	
C 6964	CHIP CAP.	0.022uF	25V	B	GRM39B223K25PT	K22144807		1-	A	B1	
C 6964	CHIP CAP.	0.022uF	50V	B	GRM188B11H223KA01D	K22174839		27-	A	B1	
C 6965	CHIP CAP.	0.022uF	25V	B	GRM39B223K25PT	K22144807		1-	A	B1	
C 6965	CHIP CAP.	0.022uF	50V	B	GRM188B11H223KA01D	K22174839		27-	A	B1	
C 6966	CHIP CAP.	5pF	500V	CH	GRM31M2C2H5R0CY21L	K22271208		1	A	B2	



# ANT Unit (D, Contest Type)

## Parts List

REF	DESCRIPTION	VALUE	V/W	TOL.	MFR'S DESIG	VXSTD P/N	VERS.	LOT	SIDE	LAY ADR
C 6966	CHIP CAP.	5pF	500V	CH	CF316CH050C500AT	K22271250		2-	A	B2
C 6967	CHIP CAP.	5pF	500V	CH	GRM31M2C2H5R0CY21L	K22271208		1	A	B1
C 6967	CHIP CAP.	5pF	500V	CH	CF316CH050C500AT	K22271250		2-	A	B1
C 6968	CHIP CAP.	36pF	50V	CH	GRM1882C1H360JZ01D	K22174224		1-	A	B2
C 6969	CHIP CAP.	36pF	50V	CH	GRM1882C1H360JZ01D	K22174224		1-	A	B1
C 6970	CHIP CAP.	0.01uF	50V	B	GRM188B11H103KA01D	K22174823		1-	A	A2
C 6971	CHIP CAP.	0.01uF	50V	B	GRM188B11H103KA01D	K22174823		1-	A	D2
D 6901	DIODE				BAS316	G2070716		1-	A	F1
D 6902	DIODE				BAS316	G2070716		1-	A	D1
D 6903	DIODE				BAS316	G2070716		1-	A	B1
D 6904	DIODE				BAS316	G2070716		1-	A	A1
D 6905	DIODE				BAS316	G2070716		1-	A	F1
D 6906	SURGE ABSORBER				DSP201M-S00B	Q9000375		1-	A	B2
D 6907	DIODE				BAS316	G2070716		1-	A	D1
D 6908	DIODE				BAS316	G2070716		1-	A	B1
D 6909	DIODE				BAS316	G2070716		1-	A	A1
D 6910	DIODE				BAS316	G2070716		1-	A	B2
D 6911	DIODE				BAS316	G2070716		1-	A	B1
D 6913	DIODE				U15J	G2090572		1-	A	F1
D 6913	DIODE				U15J	G2090572		4-	A	F1
D 6916	DIODE				1SS311(TE85R.F)	G2070460		1-	A	B2
D 6917	DIODE				1SS311(TE85R.F)	G2070460		1-	A	B2
D 6918	DIODE				1SS311(TE85R.F)	G2070460		1-	A	B1
D 6919	DIODE				1SS311(TE85R.F)	G2070460		1-	A	B1
D 6920	DIODE				BAS316	G2070716		1-	A	B2
D 6921	DIODE				BAS316	G2070716		1-	A	B1
D 6922	DIODE				BAS316	G2070716		1-	A	C2
D 6923	SURGE ABSORBER				DSP201M-S00B	Q9000375		1-	A	A2
D 6924	DIODE				BAS316	G2070716		1-	A	A2
D 6929	DIODE				BAS316	G2070716		1-	A	A2
D 6930	DIODE				1SS270-E	G2090408		1-	A	E2
D 6930	DIODE				BAS316	G2070716		4-	A	E2
J 6901	CONNECTOR				TMP-J01X-V6	P1090210		1-	A	A1
J 6902	CONNECTOR				TMP-J01X-V6	P1090210		1-	A	A2
J 6903	CONNECTOR				S7B-PH-SM4-TB(LF)(SN)	P0091345		1-	A	E2
J 6904	CONNECTOR				S-Q3063#01	P1090295		1-	A	E2
J 6905	CONNECTOR				TMP-J01X-V6	P1090210		1-	A	B1
J 6906	CONNECTOR				TMP-J01X-V6	P1090210		1-	A	B1
J 6907	CONNECTOR				TMP-J01X-V6	P1090210		1-	A	C1
JP6900	WIRE ASSY				GRN 40 2/2	T50504000		1		
JP6901	WIRE ASSY				GRN 20 2/2	T50502000		1		
L 6902	TOROIDAL COIL	0.24uH			0.240U T25-6	L0020898		1-	A	A2
L 6903	TOROIDAL COIL	252uH			252.0U D12A TR16	L0022881A		1-	A	E1
L 6906	TOROIDAL COIL	252uH			252.0U D12A TR16	L0022881A		1-	A	F1
Q 6901	TRANSISTOR				DTB113ZK T146	G3070103		1-	A	D2
Q 6902	TRANSISTOR				DTB113ZK T146	G3070103		1-	A	D2
Q 6903	TRANSISTOR				DTB113ZK T146	G3070103		1-	A	D2
Q 6904	TRANSISTOR				DTB113ZK T146	G3070103		1-	A	D2
Q 6905	TRANSISTOR				DTB113ZK T146	G3070103		1-	A	D2
Q 6906	TRANSISTOR				DTB113ZK T146	G3070103		1-	A	C1
Q 6907	TRANSISTOR				DTB113ZK T146	G3070103		1-	A	C1
Q 6908	TRANSISTOR				DTB113ZK T146	G3070103		1-	A	C2
Q 6909	TRANSISTOR				2SC3444-T11-1E	G3334448E		1-	A	E1
Q 6910	TRANSISTOR				2SA1213Y(TE12R.CF)	G3112137Y		1-	A	E1
Q 6911	TRANSISTOR				DTC123JE TL	G3070323		1-	A	C2
Q 6912	TRANSISTOR				DTC123JE TL	G3070323		1-	A	E1
Q 6914	TRANSISTOR				2SC4154-T111-1E	G3341548E		1-	A	B2
Q 6914	TRANSISTOR				2SC4081 T106	G3340818		29-	A	B2
Q 6915	TRANSISTOR				2SC4154-T111-1E	G3341548E		1-	A	B2
Q 6915	TRANSISTOR				2SC4081 T106	G3340818		29-	A	B2
Q 6916	TRANSISTOR				2SC4154-T111-1E	G3341548E		1-	A	B1
Q 6916	TRANSISTOR				2SC4081 T106	G3340818		29-	A	B1
Q 6917	TRANSISTOR				2SC4154-T111-1E	G3341548E		1-	A	B1
Q 6917	TRANSISTOR				2SC4081 T106	G3340818		29-	A	B1
Q 6918	TRANSISTOR				DTB113ZK T146	G3070103		1-	A	C2
Q 6919	TRANSISTOR				DTB113ZK T146	G3070103		1-	A	C2
Q 6920	TRANSISTOR				DTB113ZK T146	G3070103		1-	A	C2
Q 6921	IC				BU2099FV-E2	G1093243		1-	A	D2
Q 6922	TRANSISTOR				DTB113ZK T146	G3070103		1-	A	C2
R 6901	CHIPRES.	0	1/16W	5%	RMC1/16 000JATP	J24185000		1-	A	D2
R 6902	CHIPRES.	0	1/16W	5%	RMC1/16 000JATP	J24185000		1-	A	D2
R 6903	CHIPRES.	100	1/16W	5%	RMC1/16 101JATP	J24185101		1-	A	A2
R 6904	CHIPRES.	0	1/16W	5%	RMC1/16 000JATP	J24185000		1-	A	D2

# ANT Unit (D, Contest Type)

## Parts List

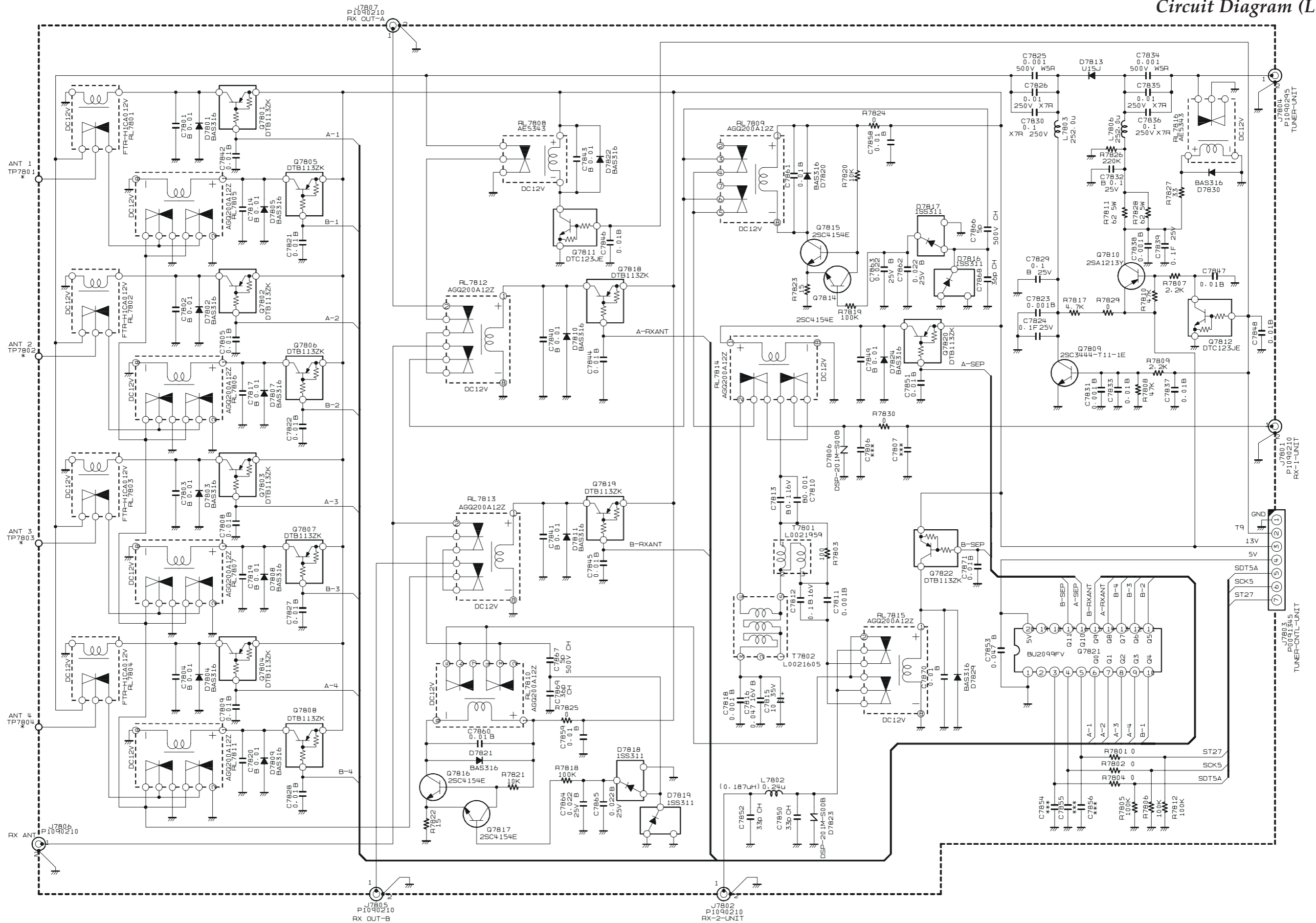
REF	DESCRIPTION	VALUE	V/W	TOL.	MFR'S DESIG	VXSTD P/N	VERS.	LOT	SIDE	LAY ADR
R 6905	CHIPRES.	100k	1/16W	5%	RMC1/16 104JATP	J24185104		1-	A	D2
R 6906	CHIPRES.	100k	1/16W	5%	RMC1/16 104JATP	J24185104		1-	A	D2
R 6907	CHIPRES.	2.2k	1/16W	5%	RMC1/16 222JATP	J24185222		1-	A	E1
R 6908	CHIPRES.	47k	1/16W	5%	RMC1/16 473JATP	J24185473		1-	A	E1
R 6909	CHIPRES.	2.2k	1/16W	5%	RMC1/16 222JATP	J24185222		1-	A	E1
R 6910	CHIPRES.	47k	1/16W	5%	RMC1/16 473JATP	J24185473		1-	A	E1
R 6911	METAL FILM RES.	82	3W	5%	ERG-3SJ820 82	J22355820		1-	A	F2
R 6911	METAL FILM RES.	56	3W	5%	ERG-3SJ560 56	J22359035		3-	A	F2
R 6911	METAL FILM RES.	39	5W	5%	ERG-5SJ390	J22379006		9-	A	F2
R 6912	CHIPRES.	100k	1/16W	5%	RMC1/16 104JATP	J24185104		1-	A	D2
R 6917	CHIPRES.	4.7k	1/16W	5%	RMC1/16 472JATP	J24185472		1-	A	E1
R 6918	CHIPRES.	100k	1/16W	5%	RMC1/16 104JATP	J24185104		1-	A	B1
R 6919	CHIPRES.	100k	1/16W	5%	RMC1/16 104JATP	J24185104		1-	A	B2
R 6920	CHIPRES.	10k	1/16W	5%	RMC1/16 103JATP	J24185103		1-	A	B2
R 6921	CHIPRES.	10k	1/16W	5%	RMC1/16 103JATP	J24185103		1-	A	B1
R 6922	CHIPRES.	15	1/16W	5%	RMC1/16 150JATP	J24185150		1-	A	B1
R 6923	CHIPRES.	15	1/16W	5%	RMC1/16 150JATP	J24185150		1-	A	B2
R 6924	CHIPRES.	0	1/16W	5%	RMC1/16 000JATP	J24185000		1-	A	B2
R 6925	CHIPRES.	0	1/16W	5%	RMC1/16 000JATP	J24185000		1-	A	B1
R 6926	CHIPRES.	220k	1/10W	5%	RMC1/10T 224J	J24205224		1-	A	G1
R 6927	CARBON FILM RES.	33	1/6W	5%	RD16TPJ330 33	J07225330		1-	A	E2
R 6927	CHIPRES.	33	1/16W	5%	RMC1/16 330JATP	J24185330		4-	A	E2
R 6928	METAL FILM RES.	150	2W	5%	ERG-2SJ151P 150	J22339010		2-		
RL6901	RELAY		DC12V		FTR-H1CA012V DC12V	M1190148		1-	A	F1
RL6902	RELAY		DC12V		FTR-H1CA012V DC12V	M1190148		1-	A	D1
RL6903	RELAY		DC12V		FTR-H1CA012V DC12V	M1190148		1-	A	C1
RL6904	RELAY		DC12V		FTR-H1CA012V DC12V	M1190148		1-	A	A1
RL6905	RELAY		DC12V		AGQ200A12Z DC12V	M1190188		1-	A	F1
RL6906	RELAY		DC12V		AGQ200A12Z DC12V	M1190188		1-	A	D1
RL6907	RELAY		DC12V		AGQ200A12Z DC12V	M1190188		1-	A	C1
RL6908	RELAY		DC12V		AE5343 DC12V	M1190005		1-	A	C2
RL6909	RELAY		DC12V		AGQ200A12Z DC12V	M1190188		1-	A	B2
RL6910	RELAY		DC12V		AGQ200A12Z DC12V	M1190188		1-	A	A1
RL6911	RELAY		DC12V		AGQ200A12Z DC12V	M1190188		1-	A	A1
RL6912	RELAY		DC12V		AGQ200A12Z DC12V	M1190188		1-	A	C2
RL6913	RELAY		DC12V		AGQ200A12Z DC12V	M1190188		1-	A	B1
RL6914	RELAY		DC12V		AGQ200A12Z DC12V	M1190188		1-	A	A2
RL6915	RELAY		DC12V		AGQ200A12Z DC12V	M1190188		1-	A	A2
RL6916	RELAY		DC12V		AE5343 DC12V	M1190005		1-	A	E2
T 6901	COIL 10WIDE				3A 9X5X5	L0021959		1-	A	B2
T 6902	COIL 10WIDE				9-1 2001F	L0021605		1-	A	A2
T 6902	COIL 10WIDE				2001F FR9.5X5.0X5.0	L0023034		30-	A	A2

## *ANT Unit (D, Contest Type)*

*Note*

# ANT-A Unit (MP Type)

## Circuit Diagram (Lot. 1~4)

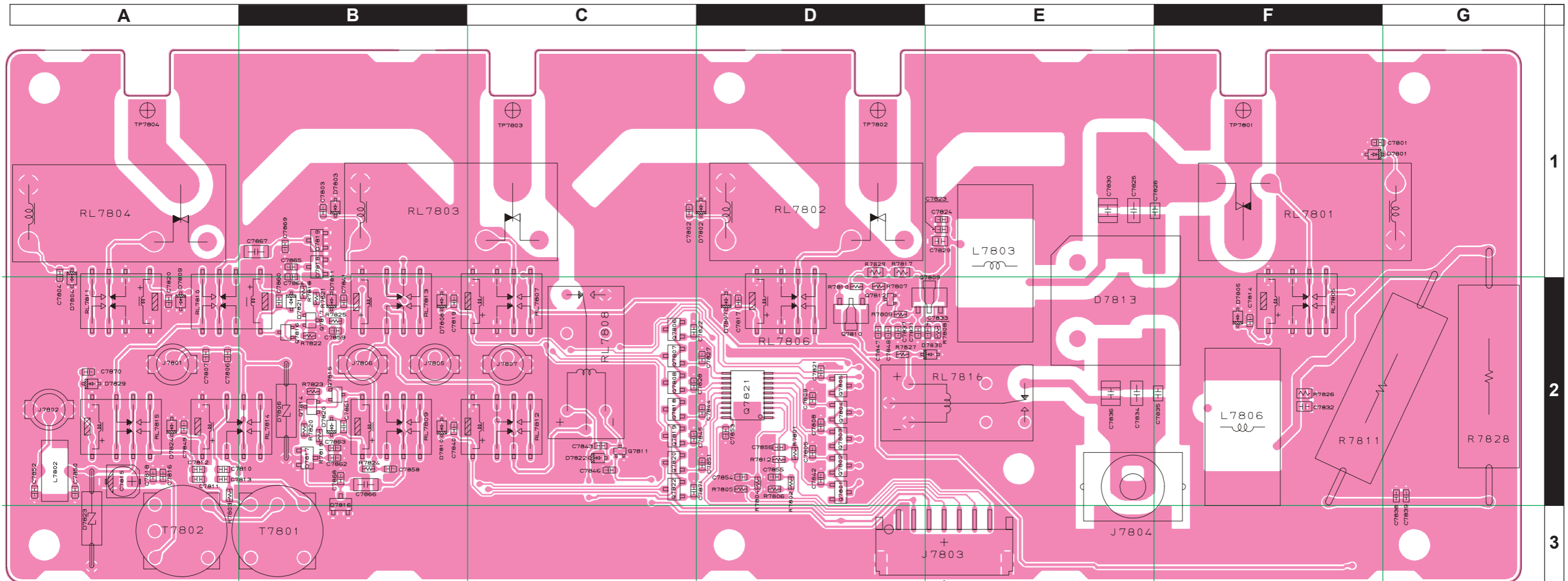


## *ANT-A Unit (MP Type)*

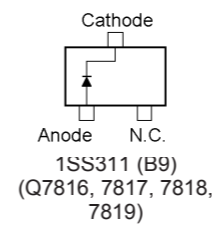
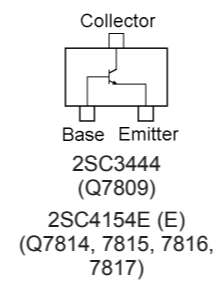
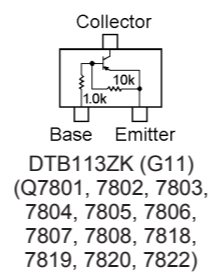
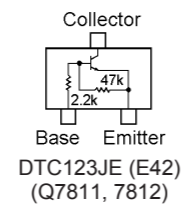
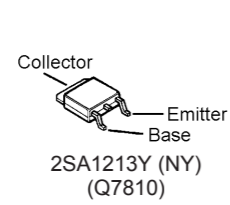
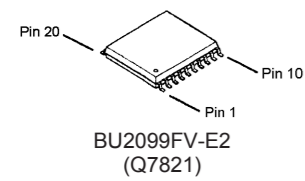
*Note*

# ANT-A Unit (MP Type)

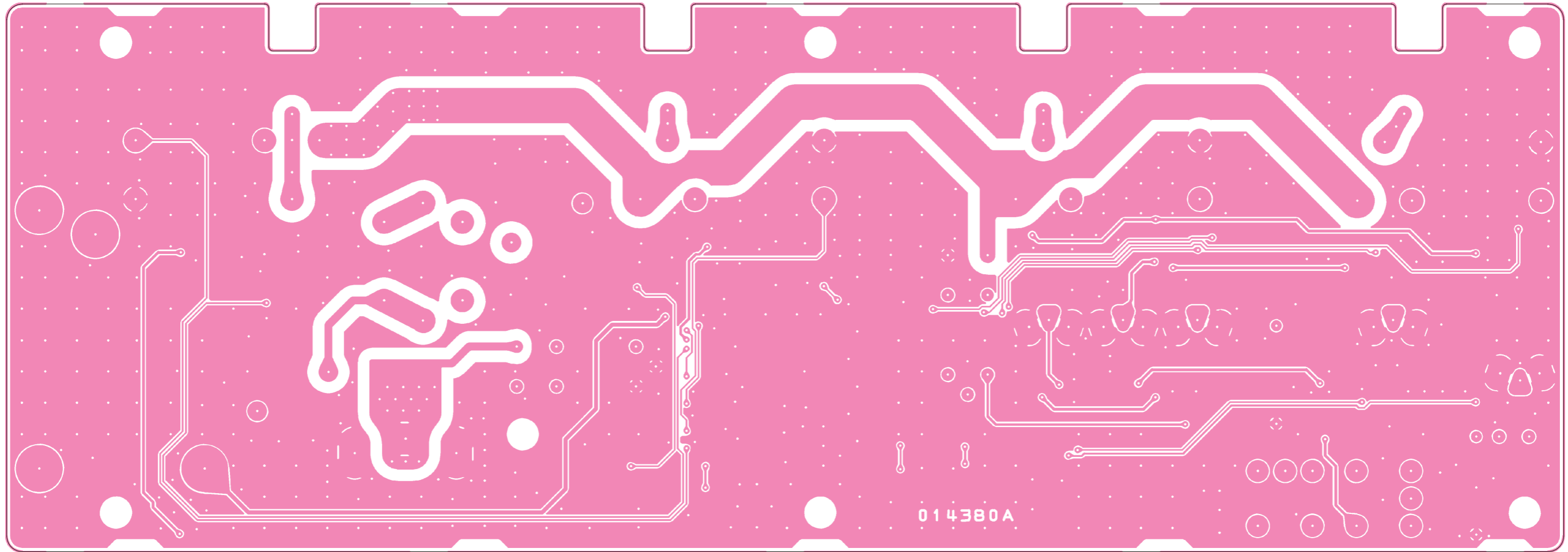
## Parts Layout (Lot. 1~4)



Side A



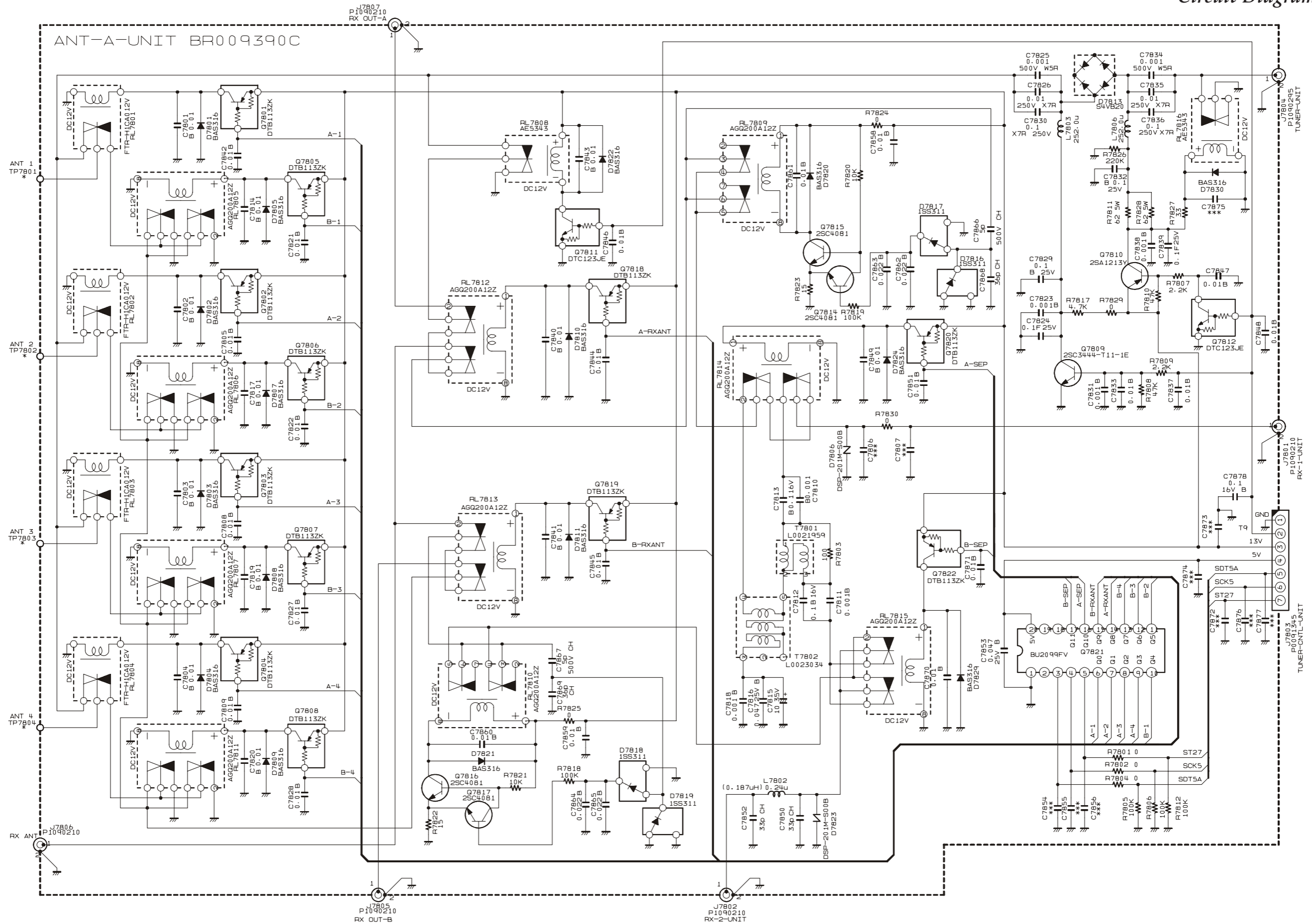
*ANT-A Unit (MP Type)*



Side B

# ANT-A Unit (MP Type)

## Circuit Diagram (Lot. 5~)



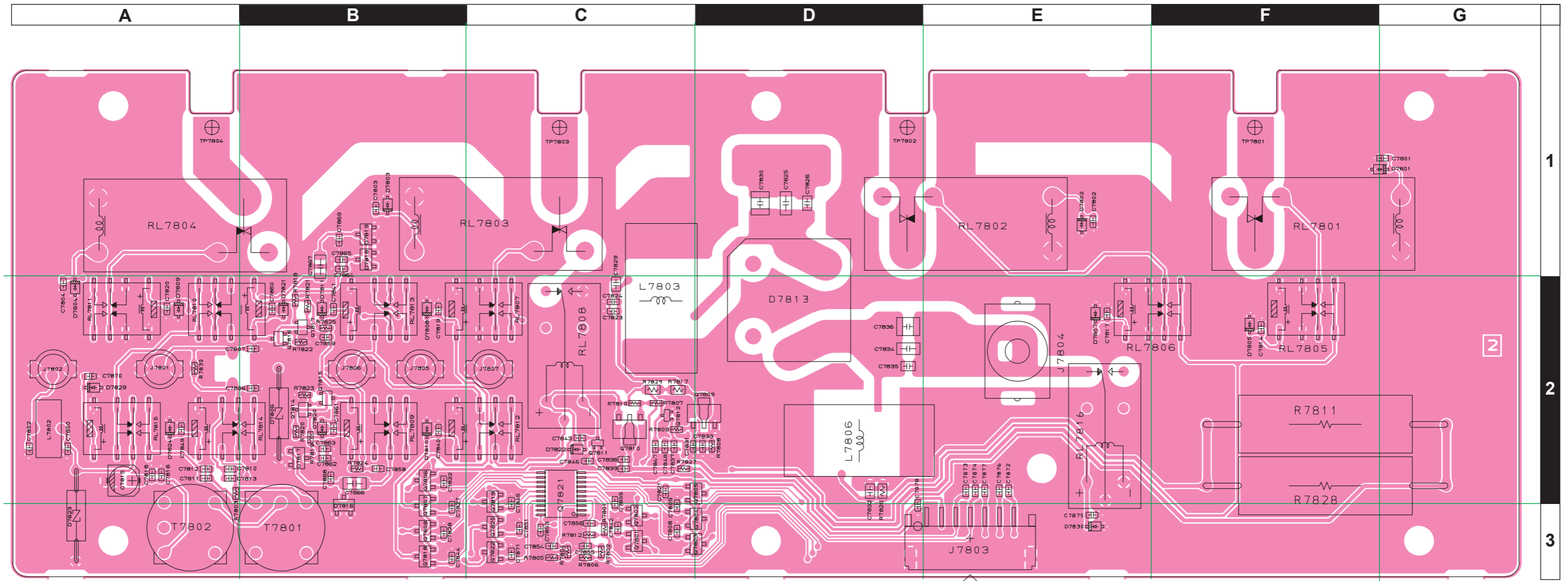


## *ANT-A Unit (MP Type)*

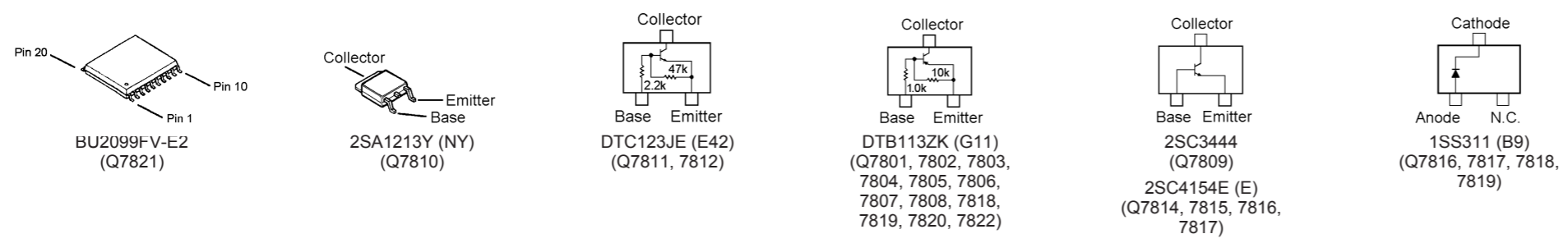
*Note*

# ANT-A Unit (MP Type)

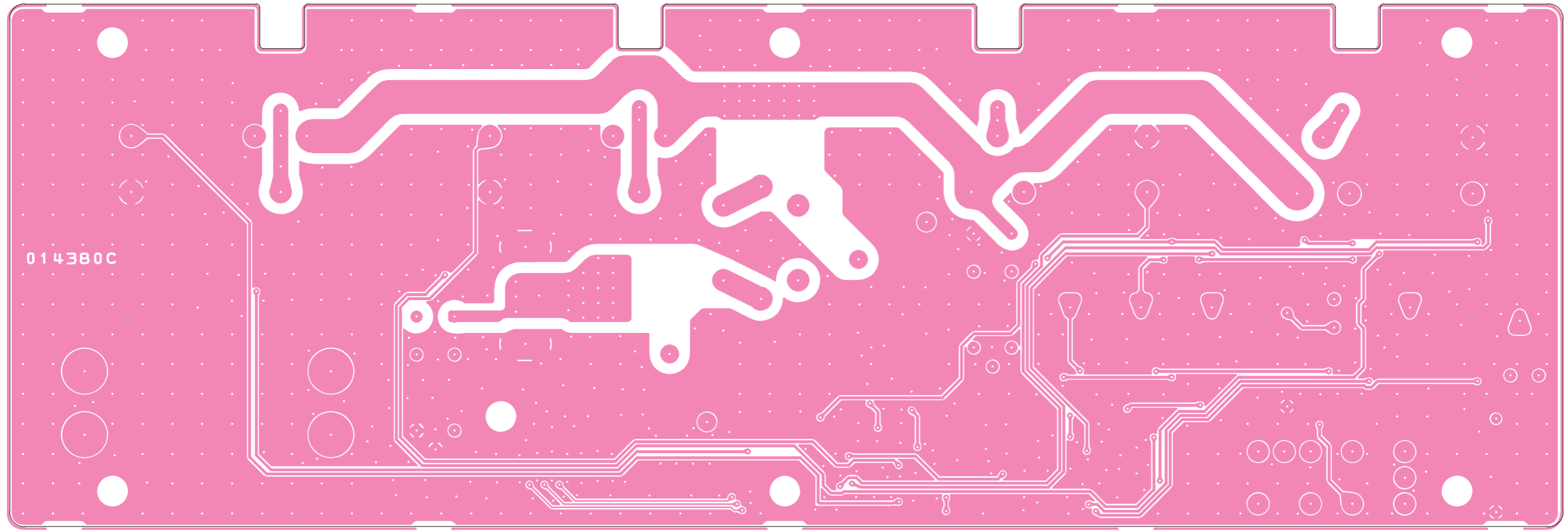
Parts Layout (Lot. 5~)



Side A



*ANT-A Unit (MP Type)*



Side B

# ANT-A Unit (MP Type)

## Parts List

REF	DESCRIPTION	VALUE	V/W	TOL.	MFR'S DESIG	VXSTD P/N	VERS.	LOT	SIDE	LAY ADR
	PCB with Components					CB3430001				
	Printed Circuit Board					FR014380A FR014380C		1- 5-		
C 7801	CHIP CAP.	0.01uF	50V	B	GRM188B11H103KA01D	K22174823		1-	A	G1
C 7802	CHIP CAP.	0.01uF	50V	B	GRM188B11H103KA01D	K22174823		1-	A	C1
C 7803	CHIP CAP.	0.01uF	50V	B	GRM188B11H103KA01D	K22174823		1-	A	B1
C 7804	CHIP CAP.	0.01uF	50V	B	GRM188B11H103KA01D	K22174823		1-	A	A1
C 7805	CHIP CAP.	0.01uF	50V	B	GRM188B11H103KA01D	K22174823		1-	A	D2
C 7808	CHIP CAP.	0.01uF	50V	B	GRM188B11H103KA01D	K22174823		1-	A	D2
C 7809	CHIP CAP.	0.01uF	50V	B	GRM188B11H103KA01D	K22174823		1-	A	D2
C 7810	CHIP CAP.	0.001uF	50V	B	GRM188B11H102KA01D	K22174821		1-	A	A2
C 7811	CHIP CAP.	0.001uF	50V	B	GRM188B11H102KA01D	K22174821		1-	A	A2
C 7812	CHIP CAP.	0.1uF	16V	B	GRM188B11C104KA01D	K22124805		1-	A	A2
C 7813	CHIP CAP.	0.1uF	16V	B	GRM188B11C104KA01D	K22124805		1-	A	A2
C 7814	CHIP CAP.	0.01uF	50V	B	GRM188B11H103KA01D	K22174823		1-	A	F1
C 7815	AL.ELECTRO.CAP.	10uF	35V		ECEV1VA100WR	K48160004		1-	A	A2
C 7815	AL.ELECTRO.CAP.	10uF	35V		EEE1VA100WR	K48160006		9-	A	A2
C 7816	CHIP CAP.	0.047uF	16V	B	GRM39B473K16PT	K22124804		1-	A	A2
C 7816	CHIP CAP.	0.047uF	25V	B	GRM188B11E473KA01D	K22144811		27-	A	A2
C 7817	CHIP CAP.	0.01uF	50V	B	GRM188B11H103KA01D	K22174823		1-	A	D1
C 7818	CHIP CAP.	0.001uF	50V	B	GRM188B11H102KA01D	K22174821		1-	A	A2
C 7819	CHIP CAP.	0.01uF	50V	B	GRM188B11H103KA01D	K22174823		1-	A	B1
C 7820	CHIP CAP.	0.01uF	50V	B	GRM188B11H103KA01D	K22174823		1-	A	A1
C 7821	CHIP CAP.	0.01uF	50V	B	GRM188B11H103KA01D	K22174823		1-	A	D2
C 7822	CHIP CAP.	0.01uF	50V	B	GRM188B11H103KA01D	K22174823		1-	A	D1
C 7823	CHIP CAP.	0.001uF	50V	B	GRM188B11H102KA01D	K22174821		1-	A	E1
C 7824	CHIP CAP.	0.1uF	25V	F	GRM188F11E104ZA01D	K22145001		1-	A	E1
C 7825	CHIP CAP.	0.001uF	500V	W5R	CF316W5R102K500AT	K22271802		1-	A	E1
C 7826	CHIP CAP.	0.01uF	250V	X7R	GRM21BR72E103KW03L	K22240801		1-	A	F1
C 7827	CHIP CAP.	0.01uF	50V	B	GRM188B11H103KA01D	K22174823		1-	A	D1
C 7828	CHIP CAP.	0.01uF	50V	B	GRM188B11H103KA01D	K22174823		1-	A	D2
C 7829	CHIP CAP.	0.1uF	25V	B	GRM21BB11E104KA01L	K22140811		1-	A	E1
C 7830	CHIP CAP.	0.1uF	250V	X7R	GRM32DR72E104KW01L	K22245801		1-	A	E1
C 7831	CHIP CAP.	0.001uF	50V	B	GRM188B11H102KA01D	K22174821		1-	A	D1
C 7832	CHIP CAP.	0.1uF	25V	B	GRM21BB11E104KA01L	K22140811		1-	A	F2
C 7833	CHIP CAP.	0.01uF	50V	B	GRM188B11H103KA01D	K22174823		1-	A	E1
C 7834	CHIP CAP.	0.001uF	500V	W5R	CF316W5R102K500AT	K22271802		1-	A	E2
C 7835	CHIP CAP.	0.01uF	250V	X7R	GRM21BR72E103KW03L	K22240801		1-	A	F2
C 7836	CHIP CAP.	0.1uF	250V	X7R	GRM32DR72E104KW01L	K22245801		1-	A	E2
C 7837	CHIP CAP.	0.01uF	50V	B	GRM188B11H103KA01D	K22174823		1-	A	D1
C 7838	CHIP CAP.	0.001uF	50V	B	GRM188B11H102KA01D	K22174821		1-	A	G2
C 7839	CHIP CAP.	0.1uF	25V	F	GRM188F11E104ZA01D	K22145001		1-	A	G2
C 7840	CHIP CAP.	0.01uF	50V	B	GRM188B11H103KA01D	K22174823		1-	A	B2
C 7841	CHIP CAP.	0.01uF	50V	B	GRM188B11H103KA01D	K22174823		1-	A	B1
C 7842	CHIP CAP.	0.01uF	50V	B	GRM188B11H103KA01D	K22174823		1-	A	D2
C 7843	CHIP CAP.	0.01uF	50V	B	GRM188B11H103KA01D	K22174823		1-	A	C2
C 7844	CHIP CAP.	0.01uF	50V	B	GRM188B11H103KA01D	K22174823		1-	A	D2
C 7845	CHIP CAP.	0.01uF	50V	B	GRM188B11H103KA01D	K22174823		1-	A	D2
C 7846	CHIP CAP.	0.01uF	50V	B	GRM188B11H103KA01D	K22174823		1-	A	C2
C 7847	CHIP CAP.	0.01uF	50V	B	GRM188B11H103KA01D	K22174823		1-	A	D1
C 7848	CHIP CAP.	0.01uF	50V	B	GRM188B11H103KA01D	K22174823		1-	A	D1
C 7849	CHIP CAP.	0.01uF	50V	B	GRM188B11H103KA01D	K22174823		1-	A	A2
C 7850	CHIP CAP.	33pF	50V	CH	GRM1882C1H330JA01D	K22174223		1-	A	A2
C 7851	CHIP CAP.	0.01uF	50V	B	GRM188B11H103KA01D	K22174823		1-	A	D2
C 7852	CHIP CAP.	33pF	50V	CH	GRM1882C1H330JA01D	K22174223		1-	A	A2
C 7853	CHIP CAP.	0.047uF	16V	B	GRM39B473K16PT	K22124804		1-	A	D2
C 7853	CHIP CAP.	0.047uF	25V	B	GRM188B11E473KA01D	K22144811		27-	A	D2
C 7858	CHIP CAP.	0.01uF	50V	B	GRM188B11H103KA01D	K22174823		1-	A	B2
C 7859	CHIP CAP.	0.01uF	50V	B	GRM188B11H103KA01D	K22174823		1-	A	B1
C 7860	CHIP CAP.	0.01uF	50V	B	GRM188B11H103KA01D	K22174823		1-	A	B1
C 7861	CHIP CAP.	0.01uF	50V	B	GRM188B11H103KA01D	K22174823		1-	A	B2
C 7862	CHIP CAP.	0.022uF	25V	B	GRM39B223K25PT	K22144807		1-	A	B2
C 7862	CHIP CAP.	0.022uF	50V	B	GRM188B11H223KA01D	K22174839		27-	A	B2
C 7863	CHIP CAP.	0.022uF	25V	B	GRM39B223K25PT	K22144807		1-	A	B2
C 7863	CHIP CAP.	0.022uF	50V	B	GRM188B11H223KA01D	K22174839		27-	A	B2
C 7864	CHIP CAP.	0.022uF	25V	B	GRM39B223K25PT	K22144807		1-	A	B1
C 7864	CHIP CAP.	0.022uF	50V	B	GRM188B11H223KA01D	K22174839		27-	A	B1
C 7865	CHIP CAP.	0.022uF	25V	B	GRM39B223K25PT	K22144807		1-	A	B1
C 7865	CHIP CAP.	0.022uF	50V	B	GRM188B11H223KA01D	K22174839		27-	A	B1
C 7866	CHIP CAP.	5pF	500V	CH	CF316CH050C500AT	K22271250		1-	A	B2
C 7867	CHIP CAP.	5pF	500V	CH	CF316CH050C500AT	K22271250		1-	A	B1
C 7868	CHIP CAP.	36pF	50V	CH	GRM1882C1H360JZ01D	K22174224		1-	A	B2
C 7869	CHIP CAP.	36pF	50V	CH	GRM1882C1H360JZ01D	K22174224		1-	A	B1

# ANT-A Unit (MP Type)

## Parts List

REF	DESCRIPTION	VALUE	V/W	TOL.	MFR'S DESIG	VXSTD P/N	VERS.	LOT	SIDE	LAY ADR
C 7870	CHIP CAP.	0.01uF	50V	B	GRM188B11H103KA01D	K22174823		1-	A	A2
C 7871	CHIP CAP.	0.01uF	50V	B	GRM188B11H103KA01D	K22174823		1-	A	D2
C 7872	CERAMIC CAP.	0.001uF	50V	B	UP050B102K-A-B	K28179001		4		
C 7873	CERAMIC CAP.	0.001uF	50V	B	UP050B102K-A-B	K28179001		4		
C 7874	CERAMIC CAP.	0.001uF	50V	B	UP050B102K-A-B	K28179001		4		
C 7878	CHIP CAP.	0.1uF	16V	B	GRM188B11C104KA01D	K22124805		5-		
D 7801	DIODE				BAS316	G2070716		1-	A	F1
D 7802	DIODE				BAS316	G2070716		1-	A	D1
D 7803	DIODE				BAS316	G2070716		1-	A	B1
D 7804	DIODE				BAS316	G2070716		1-	A	A1
D 7805	DIODE				BAS316	G2070716		1-	A	F1
D 7806	SURGE ABSORBER				DSP201M-S00B	Q9000375		1-	A	B2
D 7807	DIODE				BAS316	G2070716		1-	A	D1
D 7808	DIODE				BAS316	G2070716		1-	A	B1
D 7809	DIODE				BAS316	G2070716		1-	A	A1
D 7810	DIODE				BAS316	G2070716		1-	A	B2
D 7811	DIODE				BAS316	G2070716		1-	A	B1
D 7813	DIODE				S4VB20-5000	G2090627		1-	A	E1
D 7816	DIODE				1SS311(TE85R.F)	G2070460		1-	A	B2
D 7817	DIODE				1SS311(TE85R.F)	G2070460		1-	A	B2
D 7818	DIODE				1SS311(TE85R.F)	G2070460		1-	A	B1
D 7819	DIODE				1SS311(TE85R.F)	G2070460		1-	A	B1
D 7820	DIODE				BAS316	G2070716		1-	A	B2
D 7821	DIODE				BAS316	G2070716		1-	A	B1
D 7822	DIODE				BAS316	G2070716		1-	A	C2
D 7823	SURGE ABSORBER				DSP201M-S00B	Q9000375		1-	A	A2
D 7824	DIODE				BAS316	G2070716		1-	A	A2
D 7829	DIODE				BAS316	G2070716		1-	A	A2
D 7830	DIODE				BAS316	G2070716		1-	A	E1
J 7801	CONNECTOR				TMP-J01X-V6	P1090210		1-	A	A1
J 7802	CONNECTOR				TMP-J01X-V6	P1090210		1-	A	A2
J 7803	CONNECTOR				S7B-PH-SM4-TB(LF)(SN)	P0091345		1-	A	E2
J 7804	CONNECTOR				S-Q3063#01	P1090295		1-	A	E2
J 7805	CONNECTOR				TMP-J01X-V6	P1090210		1-	A	B1
J 7806	CONNECTOR				TMP-J01X-V6	P1090210		1-	A	B1
J 7807	CONNECTOR				TMP-J01X-V6	P1090210		1-	A	C1
L 7802	TOROIDAL COIL	0.24uH			0.240U T25-6	L0020898		1-	A	A2
L 7803	TOROIDAL COIL	252uH			252.0U D12A TR16	L0022881A		1-	A	E1
L 7806	TOROIDAL COIL	252uH			252.0U D12A TR16	L0022881A		1-	A	F2
Q 7801	TRANSISTOR				DTB113ZK T146	G3070103		1-	A	D2
Q 7802	TRANSISTOR				DTB113ZK T146	G3070103		1-	A	D2
Q 7803	TRANSISTOR				DTB113ZK T146	G3070103		1-	A	D2
Q 7804	TRANSISTOR				DTB113ZK T146	G3070103		1-	A	D2
Q 7805	TRANSISTOR				DTB113ZK T146	G3070103		1-	A	D2
Q 7806	TRANSISTOR				DTB113ZK T146	G3070103		1-	A	C1
Q 7807	TRANSISTOR				DTB113ZK T146	G3070103		1-	A	C1
Q 7808	TRANSISTOR				DTB113ZK T146	G3070103		1-	A	C2
Q 7809	TRANSISTOR				2SC3444-T11-1E	G3334448E		1-	A	E1
Q 7810	TRANSISTOR				2SA1213Y(TE12R.CF)	G3112137Y		1-	A	D1
Q 7811	TRANSISTOR				DTC123JE TL	G3070323		1-	A	C2
Q 7812	TRANSISTOR				DTC123JE TL	G3070323		1-	A	D1
Q 7814	TRANSISTOR				2SC4154-T111-1E	G3341548E		1-	A	B2
Q 7814	TRANSISTOR				2SC4081 T106	G3340818		29-	A	B2
Q 7815	TRANSISTOR				2SC4154-T111-1E	G3341548E		1-	A	B2
Q 7815	TRANSISTOR				2SC4081 T106	G3340818		29-	A	B2
Q 7816	TRANSISTOR				2SC4154-T111-1E	G3341548E		1-	A	B1
Q 7816	TRANSISTOR				2SC4081 T106	G3340818		29-	A	B1
Q 7817	TRANSISTOR				2SC4154-T111-1E	G3341548E		1-	A	B1
Q 7817	TRANSISTOR				2SC4081 T106	G3340818		29-	A	B1
Q 7818	TRANSISTOR				DTB113ZK T146	G3070103		1-	A	C2
Q 7819	TRANSISTOR				DTB113ZK T146	G3070103		1-	A	C2
Q 7820	TRANSISTOR				DTB113ZK T146	G3070103		1-	A	C2
Q 7821	IC				BU2099FV-E2	G1093243		1-	A	D2
Q 7822	TRANSISTOR				DTB113ZK T146	G3070103		1-	A	C2
R 7801	CHIPRES.	0	1/16W	5%	RMC1/16 000JATP	J24185000		1-	A	D2
R 7802	CHIPRES.	0	1/16W	5%	RMC1/16 000JATP	J24185000		1-	A	D2
R 7803	CHIPRES.	100	1/16W	5%	RMC1/16 101JATP	J24185101		1-	A	A2
R 7804	CHIPRES.	0	1/16W	5%	RMC1/16 000JATP	J24185000		1-	A	D2
R 7805	CHIPRES.	100k	1/16W	5%	RMC1/16 104JATP	J24185104		1-	A	D2
R 7806	CHIPRES.	100k	1/16W	5%	RMC1/16 104JATP	J24185104		1-	A	D2
R 7807	CHIPRES.	2.2k	1/16W	5%	RMC1/16 222JATP	J24185222		1-	A	D1
R 7808	CHIPRES.	47k	1/16W	5%	RMC1/16 473JATP	J24185473		1-	A	E1
R 7809	CHIPRES.	2.2k	1/16W	5%	RMC1/16 222JATP	J24185222		1-	A	D1

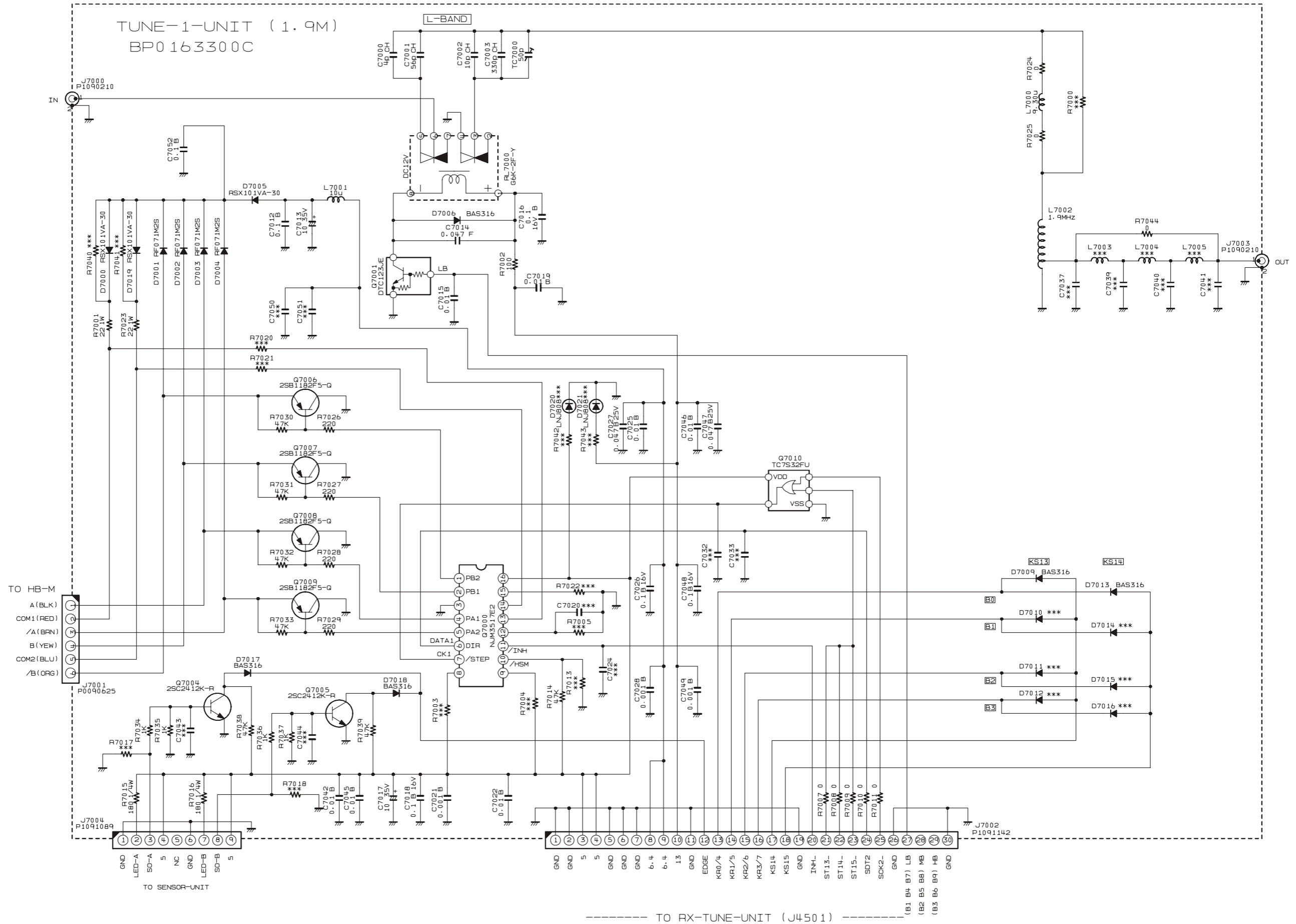
# ANT-A Unit (MP Type)

## Parts List

REF	DESCRIPTION	VALUE	V/W	TOL.	MFR'S DESIG	VXSTD P/N	VERS.	LOT	SIDE	LAY ADR
R 7810	CHIPRES.	47k	1/16W	5%	RMC1/16 473JATP	J24185473		1-	A	D1
R 7811	METAL FILM RES.	62	5W	5%	ERG-5SJ620	J22379008		1-	A	F2
R 7812	CHIPRES.	100k	1/16W	5%	RMC1/16 104JATP	J24185104		1-	A	D2
R 7817	CHIPRES.	4.7k	1/10W	5%	RMC1/10T 472J	J24205472		1-	A	D1
R 7818	CHIPRES.	100k	1/16W	5%	RMC1/16 104JATP	J24185104		1-	A	B1
R 7819	CHIPRES.	100k	1/16W	5%	RMC1/16 104JATP	J24185104		1-	A	B2
R 7820	CHIPRES.	10k	1/16W	5%	RMC1/16 103JATP	J24185103		1-	A	B2
R 7821	CHIPRES.	10k	1/16W	5%	RMC1/16 103JATP	J24185103		1-	A	B1
R 7822	CHIPRES.	15	1/16W	5%	RMC1/16 150JATP	J24185150		1-	A	B1
R 7823	CHIPRES.	15	1/16W	5%	RMC1/16 150JATP	J24185150		1-	A	B2
R 7824	CHIPRES.	0	1/16W	5%	RMC1/16 000JATP	J24185000		1-	A	B2
R 7825	CHIPRES.	0	1/16W	5%	RMC1/16 000JATP	J24185000		1-	A	B1
R 7826	CHIPRES.	220k	1/10W	5%	RMC1/10T 224J	J24205224		1-	A	F2
R 7827	CHIPRES.	33	1/16W	5%	RMC1/16 330JATP	J24185330		1-	A	D1
R 7828	METAL FILM RES.	62	5W	5%	ERG-5SJ620	J22379008		1-	A	G2
R 7829	CHIPRES.	0	1/10W	5%	RMC1/10T 000J	J24205000		1-	A	D1
R 7830	CHIPRES.	0	1/16W	5%	RMC1/16 000JATP	J24185000		4-		
RL7801	RELAY		DC12V		FTR-H1CA012V DC12V	M1190148		1-	A	F1
RL7802	RELAY		DC12V		FTR-H1CA012V DC12V	M1190148		1-	A	D1
RL7803	RELAY		DC12V		FTR-H1CA012V DC12V	M1190148		1-	A	C1
RL7804	RELAY		DC12V		FTR-H1CA012V DC12V	M1190148		1-	A	A1
RL7805	RELAY		DC12V		AGQ200A12Z DC12V	M1190188		1-	A	F1
RL7806	RELAY		DC12V		AGQ200A12Z DC12V	M1190188		1-	A	D1
RL7807	RELAY		DC12V		AGQ200A12Z DC12V	M1190188		1-	A	C1
RL7808	RELAY		DC12V		AE5343 DC12V	M1190005		1-	A	C2
RL7809	RELAY		DC12V		AGQ200A12Z DC12V	M1190188		1-	A	B2
RL7810	RELAY		DC12V		AGQ200A12Z DC12V	M1190188		1-	A	A1
RL7811	RELAY		DC12V		AGQ200A12Z DC12V	M1190188		1-	A	A1
RL7812	RELAY		DC12V		AGQ200A12Z DC12V	M1190188		1-	A	C2
RL7813	RELAY		DC12V		AGQ200A12Z DC12V	M1190188		1-	A	B1
RL7814	RELAY		DC12V		AGQ200A12Z DC12V	M1190188		1-	A	A2
RL7815	RELAY		DC12V		AGQ200A12Z DC12V	M1190188		1-	A	A2
RL7816	RELAY		DC12V		AE5343 DC12V	M1190005		1-	A	D2
T 7801	COIL 10WIDE				3A 9X5X5	L0021959		1-	A	B2
T 7802	COIL 10WIDE				9-1 2001F	L0021605		1-	A	A2
T 7802	COIL 10WIDE				2001F FR9.5X5.0X5.0	L0023034		30-	A	A2

*ANT-A Unit (MP Type)*

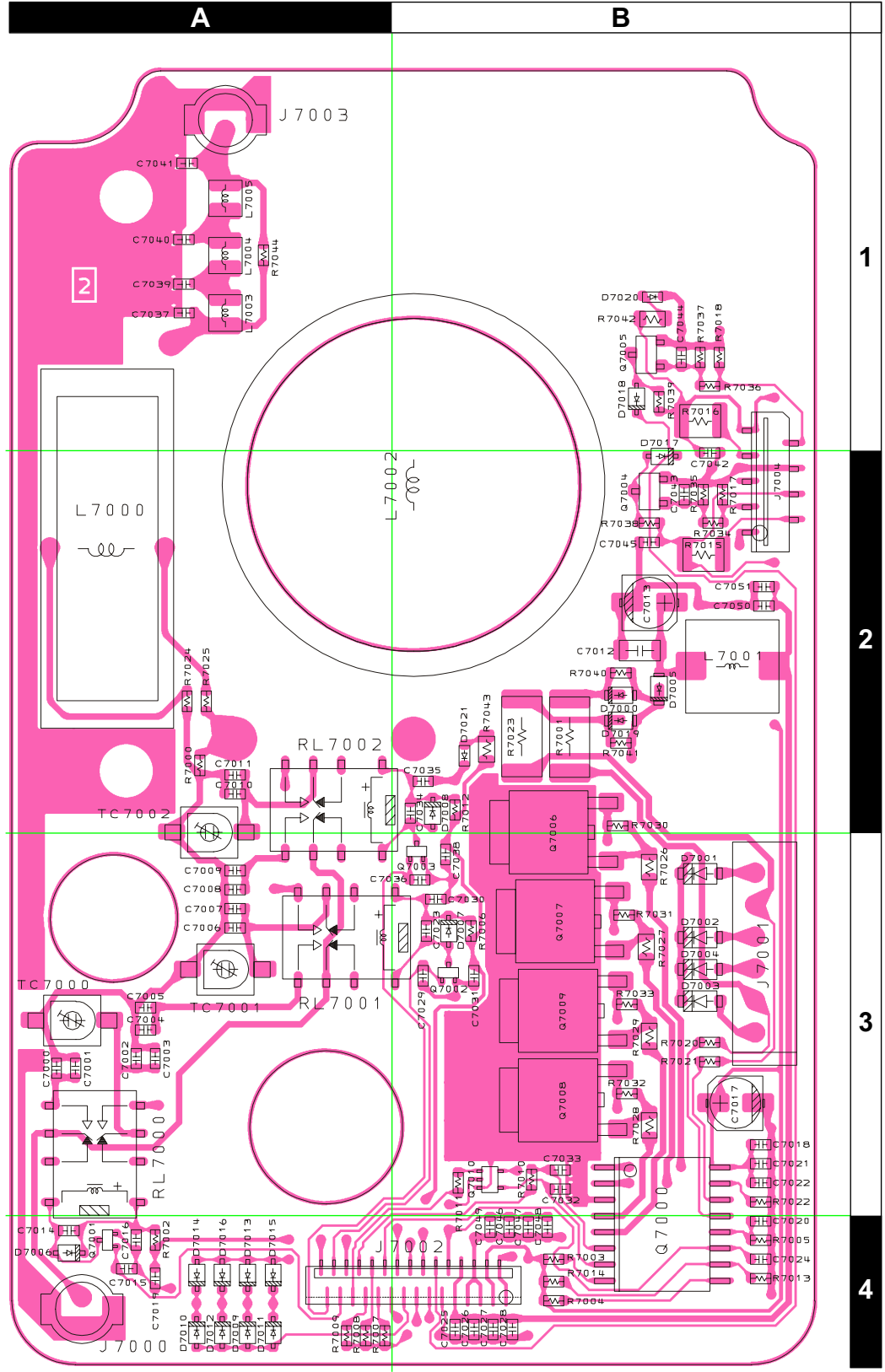
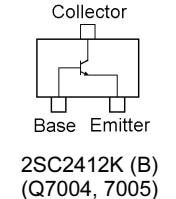
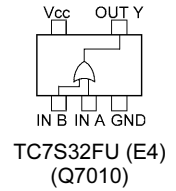
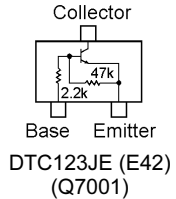
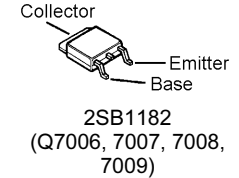
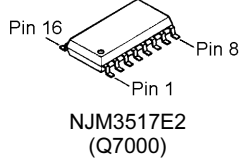
*Note*



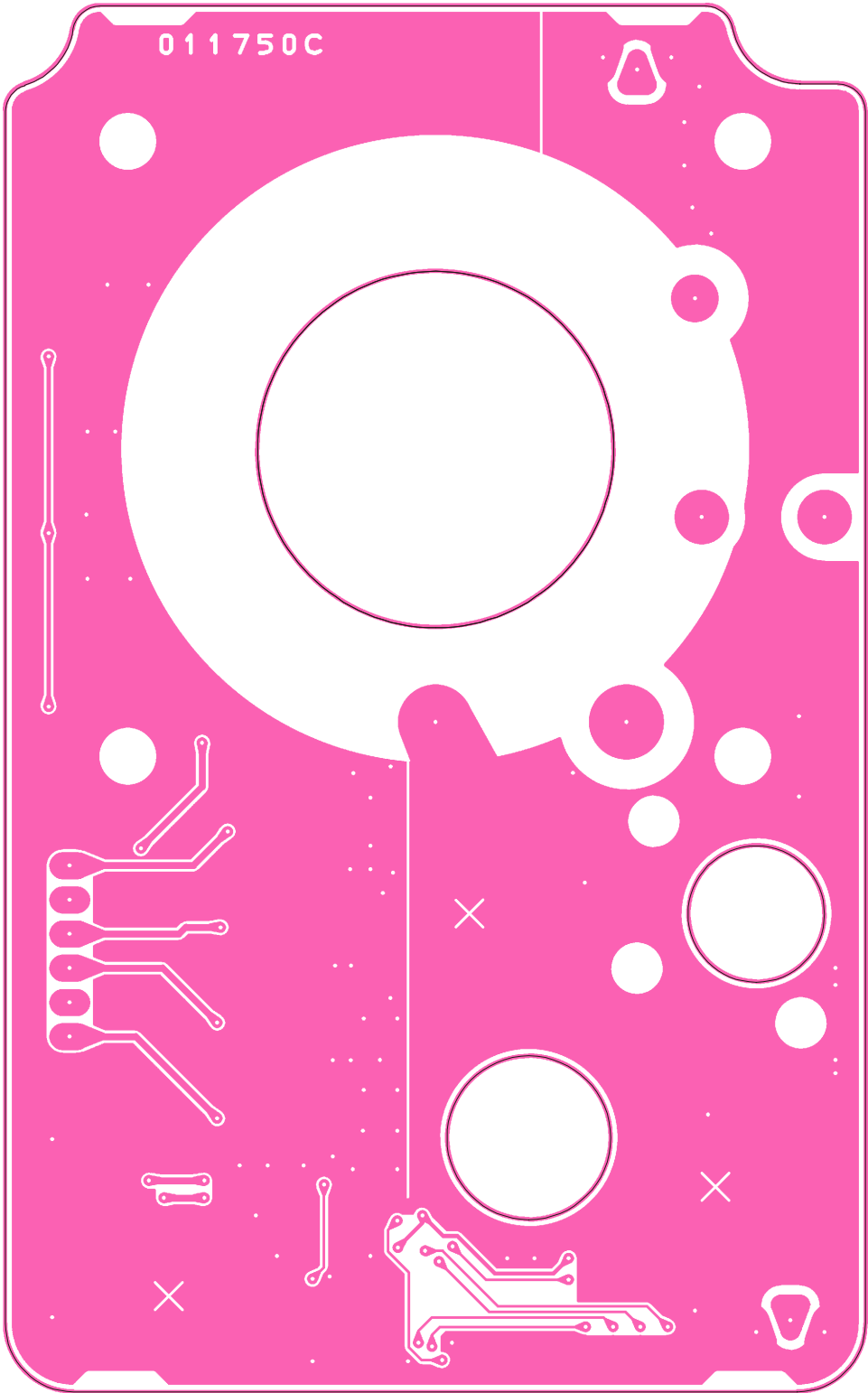


# TUNE-1 Unit (D Type, MTU-160)

## Parts Layout



Side A



Side B

# TUNE-1 Unit (D Type, MTU-160)

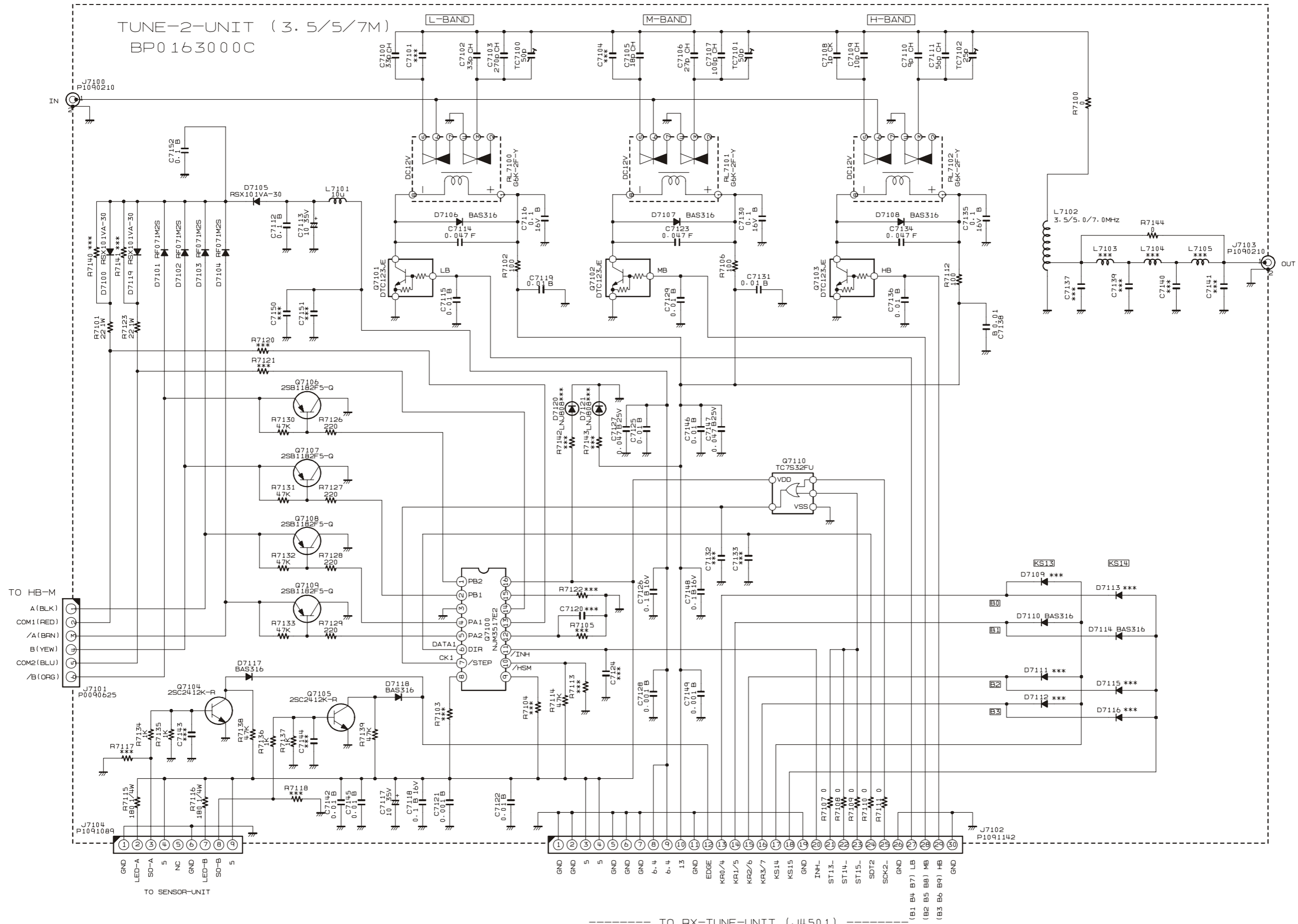
## Parts List

REF	DESCRIPTION	VALUE	V/W	TOL.	MFR'S DESIG	VXSTD P/N	VERS.	LOT	SIDE	LAY ADR
PCB with Components						CB2770001				
Printed Circuit Board						FR011750C		1-		
C 7000	CHIP CAP.	4pF	50V	CH	GRM1882C1H4R0CZ01D	K22174205		1-	A	A3
C 7001	CHIP CAP.	56pF	50V	CH	GRM1882C1H560JA01D	K22174229		1-	A	A3
C 7002	CHIP CAP.	39pF	50V	CH	GRM1882C1H390JA01D	K22174225		2-	A	A3
C 7002	CHIP CAP.	10pF	50V	CH	GRM1882C1H100JA01D	K22174211		9-	A	A3
C 7003	CHIP CAP.	330pF	50V	CH	GRM1882C1H331JA01D	K22174253		1-	A	A3
C 7012	CHIP CAP.	0.1uF	50V	B	GRM42-6B104K50PT	K22171820		1-	A	B2
C 7013	AL.ELECTRO.CAP.	10uF	35V		ECEV1VA100WR	K48160004		1-	A	B2
C 7013	AL.ELECTRO.CAP.	10uF	35V		EEE1VA100WR	K48160006		9-	A	B2
C 7014	CHIP CAP.	0.047uF	25V	F	GRM39F473Z25PT	K22145002		1-	A	A4
C 7014	CHIP CAP.	0.047uF	50V	F	GRM188F11H473ZA01D	K22175001		27-	A	A4
C 7015	CHIP CAP.	0.01uF	50V	B	GRM188B11H103JA01D	K22174824		1-	A	A4
C 7016	CHIP CAP.	0.1uF	16V	B	GRM188B11C104KA01D	K22124805		1-	A	A4
C 7017	AL.ELECTRO.CAP.	10uF	35V		ECEV1VA100WR	K48160004		1-	A	B3
C 7017	AL.ELECTRO.CAP.	10uF	35V		EEE1VA100WR	K48160006		9-	A	B3
C 7018	CHIP CAP.	0.1uF	16V	B	GRM188B11C104KA01D	K22124805		1-	A	B3
C 7019	CHIP CAP.	0.01uF	50V	B	GRM188B11H103JA01D	K22174824		1-	A	A4
C 7021	CHIP CAP.	0.001uF	50V	B	GRM188B11H102KA01D	K22174821		1-	A	B3
C 7022	CHIP CAP.	0.01uF	50V	B	GRM188B11H103KA01D	K22174823		1-	A	B3
C 7025	CHIP CAP.	0.01uF	50V	B	GRM188B11H103JA01D	K22174824		1-	A	B4
C 7026	CHIP CAP.	0.1uF	16V	B	GRM188B11C104KA01D	K22124805		1-	A	B4
C 7027	CHIP CAP.	0.047uF	16V	B	GRM39B473K16PT	K22124804		1-	A	B4
C 7027	CHIP CAP.	0.047uF	25V	B	GRM188B11E473KA01D	K22144811		27-	A	B4
C 7028	CHIP CAP.	0.001uF	50V	B	GRM188B11H102KA01D	K22174821		1-	A	B4
C 7042	CHIP CAP.	0.01uF	50V	B	GRM188B11H103KA01D	K22174823		1-	A	B2
C 7045	CHIP CAP.	0.01uF	50V	B	GRM188B11H103KA01D	K22174823		1-	A	B2
C 7046	CHIP CAP.	0.01uF	50V	B	GRM188B11H103JA01D	K22174824		1-	A	B4
C 7047	CHIP CAP.	0.047uF	16V	B	GRM39B473K16PT	K22124804		1-	A	B4
C 7047	CHIP CAP.	0.047uF	25V	B	GRM188B11E473KA01D	K22144811		27-	A	B4
C 7048	CHIP CAP.	0.1uF	16V	B	GRM188B11C104KA01D	K22124805		1-	A	B4
C 7049	CHIP CAP.	0.001uF	50V	B	GRM188B11H102KA01D	K22174821		1-	A	B4
C 7052	CERAMIC CAP.	0.1uF	50V	B	UP050B104K-A-B	K28179098		2-		
D 7000	DIODE				RSX101VA-30TR	G2070984		1-	A	B2
D 7001	DIODE				RF071M2S-TR	G2071068		1-	A	B3
D 7002	DIODE				RF071M2S-TR	G2071068		1-	A	B3
D 7003	DIODE				RF071M2S-TR	G2071068		1-	A	B3
D 7004	DIODE				RF071M2S-TR	G2071068		1-	A	B3
D 7005	DIODE				RSX101VA-30TR	G2070984		1-	A	B2
D 7006	DIODE				BAS316	G2070716		1-	A	A4
D 7009	DIODE				BAS316	G2070716		1-	A	A4
D 7013	DIODE				BAS316	G2070716		1-	A	A4
D 7017	DIODE				BAS316	G2070716		1-	A	B2
D 7018	DIODE				BAS316	G2070716		1-	A	B1
D 7019	DIODE				RSX101VA-30TR	G2070984		1-	A	B2
J 7000	CONNECTOR				TMP-J01X-V6	P1090210		1-	A	A4
J 7001	CONNECTOR				SC25-06WS	P0090625		1-	A	B3
J 7002	CONNECTOR				30FLT-SM2-TB(LF)(SN)(M)	P1091142		1-	A	B4
J 7003	CONNECTOR				TMP-J01X-V6	P1090210		1-	A	A1
J 7004	CONNECTOR				09FMN-BMTTN-TFT(LF)(SN)	P1091089		1-	A	B2
L 7000	TOROIDAL COIL	9.3uH			9.30U T94-2	L0022880		1-	A	A2
L 7001	M.RFC	10uH			CDRH73NP-100MC	L1690598		1-	A	B2
L 7002	COIL RF				SC-130 1.9MHZ	L0022901		1-	A	B2
L 7002	COIL RF				SC-130 1.9MHZ	L0022901A		3-	A	B2
L 7002	COIL RF				SC-130 1.9MHZ	L0022901B		14-	A	B2
MO7000	STEPPINGMOTOR				KH39GM2-026	M2190029		1-		
Q 7000	IC				NJM3517E2-TE2	G1093849		1-	A	B4
Q 7001	TRANSISTOR				DTC123JE TL	G3070323		1-	A	A4
Q 7004	TRANSISTOR				2SC2412K-T146-R	G3324128R		1-	A	B2
Q 7005	TRANSISTOR				2SC2412K-T146-R	G3324128R		1-	A	B1
Q 7006	TRANSISTOR				2SB1182-TLQ	G3070063		1-	A	B2
Q 7007	TRANSISTOR				2SB1182-TLQ	G3070063		1-	A	B3
Q 7008	TRANSISTOR				2SB1182-TLQ	G3070063		1-	A	B3
Q 7009	TRANSISTOR				2SB1182-TLQ	G3070063		1-	A	B3
Q 7010	IC				TC7S32FU(TE85R.F)	G1091529		1-	A	B3
R 7001	CHIPRES.	22	1W	5%	RMC1220JTE	J24305220		1-	A	B2
R 7002	CHIPRES.	100	1/16W	5%	RMC1/16 101JATP	J24185101		1-	A	A4
R 7007	CHIPRES.	0	1/16W	5%	RMC1/16 000JATP	J24185000		1-	A	A4
R 7008	CHIPRES.	0	1/16W	5%	RMC1/16 000JATP	J24185000		1-	A	A4
R 7009	CHIPRES.	0	1/16W	5%	RMC1/16 000JATP	J24185000		1-	A	A4
R 7010	CHIPRES.	0	1/16W	5%	RMC1/16 000JATP	J24185000		1-	A	B3
R 7011	CHIPRES.	0	1/16W	5%	RMC1/16 000JATP	J24185000		1-	A	B3
R 7014	CHIPRES.	47k	1/16W	5%	RMC1/16 473JATP	J24185473		1-	A	B4

# TUNE-1 Unit (D Type, MTU-160)

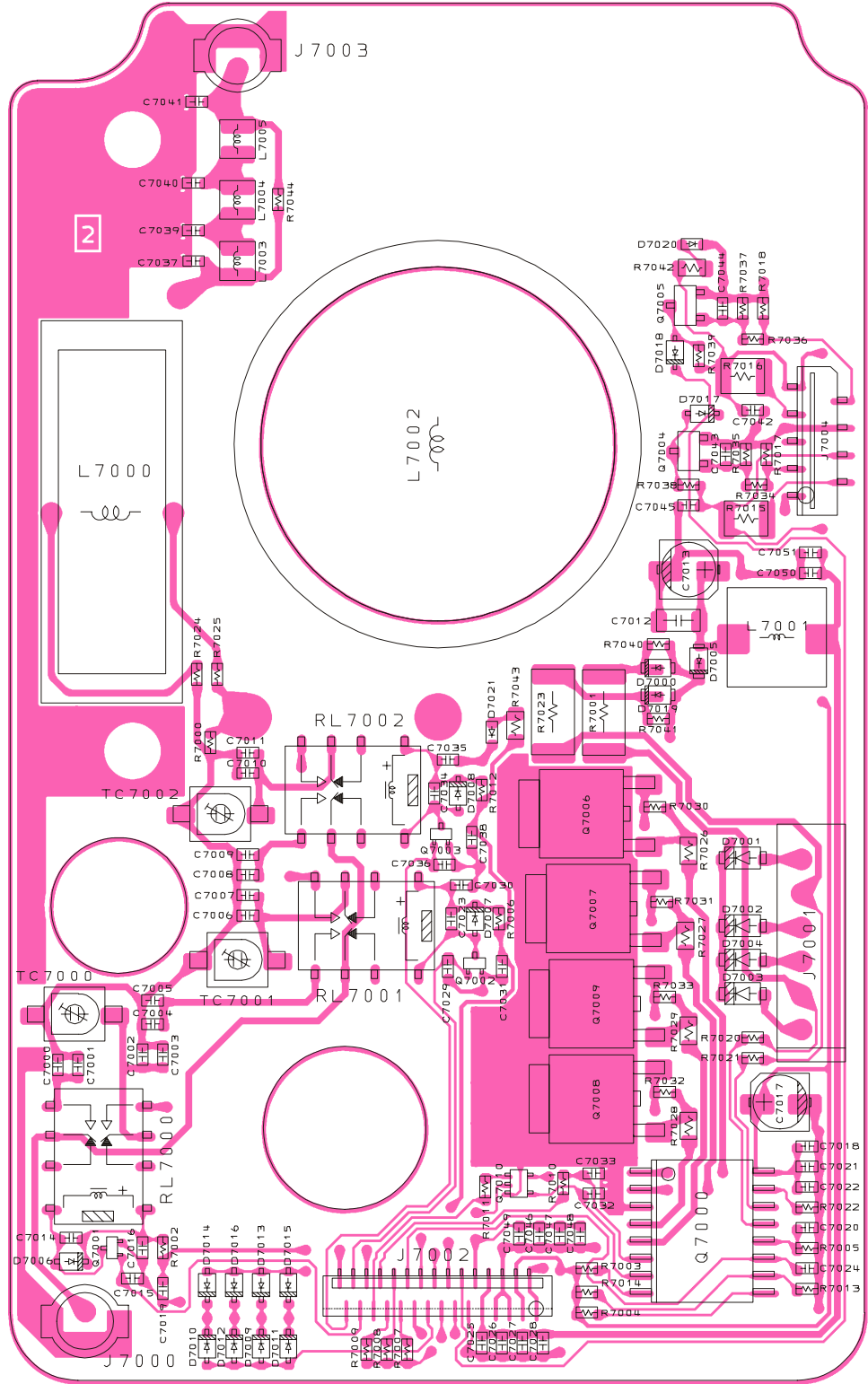
## Parts List

REF	DESCRIPTION	VALUE	V/W	TOL.	MFR'S DESIG	VXSTD P/N	VERS.	LOT	SIDE	LAY ADR
R 7015	CHIPRES.	180	1/4W	5%	RMC1/4 181JATP	J24245181		1-	A	B2
R 7016	CHIPRES.	180	1/4W	5%	RMC1/4 181JATP	J24245181		1-	A	B1
R 7023	CHIPRES.	22	1W	5%	RMC1 220JTE	J24305220		1-	A	B2
R 7024	CHIPRES.	0	1/16W	5%	RMC1/16 000JATP	J24185000		1-	A	A2
R 7025	CHIPRES.	0	1/16W	5%	RMC1/16 000JATP	J24185000		1-	A	A2
R 7026	CHIPRES.	220	1/10W	5%	RMC1/10T 221J	J24205221		1-	A	B3
R 7027	CHIPRES.	220	1/10W	5%	RMC1/10T 221J	J24205221		1-	A	B3
R 7028	CHIPRES.	220	1/10W	5%	RMC1/10T 221J	J24205221		1-	A	B3
R 7029	CHIPRES.	220	1/10W	5%	RMC1/10T 221J	J24205221		1-	A	B3
R 7030	CHIPRES.	47k	1/16W	5%	RMC1/16 473JATP	J24185473		1-	A	B2
R 7031	CHIPRES.	47k	1/16W	5%	RMC1/16 473JATP	J24185473		1-	A	B3
R 7032	CHIPRES.	47k	1/16W	5%	RMC1/16 473JATP	J24185473		1-	A	B3
R 7033	CHIPRES.	47k	1/16W	5%	RMC1/16 473JATP	J24185473		1-	A	B3
R 7034	CHIPRES.	1k	1/16W	5%	RMC1/16 102JATP	J24185102		1-	A	B2
R 7035	CHIPRES.	1k	1/16W	5%	RMC1/16 102JATP	J24185102		1-	A	B2
R 7036	CHIPRES.	1k	1/16W	5%	RMC1/16 102JATP	J24185102		1-	A	B1
R 7037	CHIPRES.	1k	1/16W	5%	RMC1/16 102JATP	J24185102		1-	A	B1
R 7038	CHIPRES.	47k	1/16W	5%	RMC1/16 473JATP	J24185473		1-	A	B2
R 7039	CHIPRES.	47k	1/16W	5%	RMC1/16 473JATP	J24185473		1-	A	B1
R 7044	CHIPRES.	0	1/16W	5%	RMC1/16 000JATP	J24185000		1-	A	A1
RL7000	RELAY		DC12V		G6K-2F-Y-TR DC12V	M1190183		1-	A	A3
TC7000	TRIMMERCAP.	50pF			TZB4R500EA10R00	K91000277		1-	A	A3
Y 7000	CORE				7A3 TRB-20-10-10 X5	L9190139		1-		
Y 7000	CORE				7A3 TRB-20-10-10 X5	L9190139A		10-		

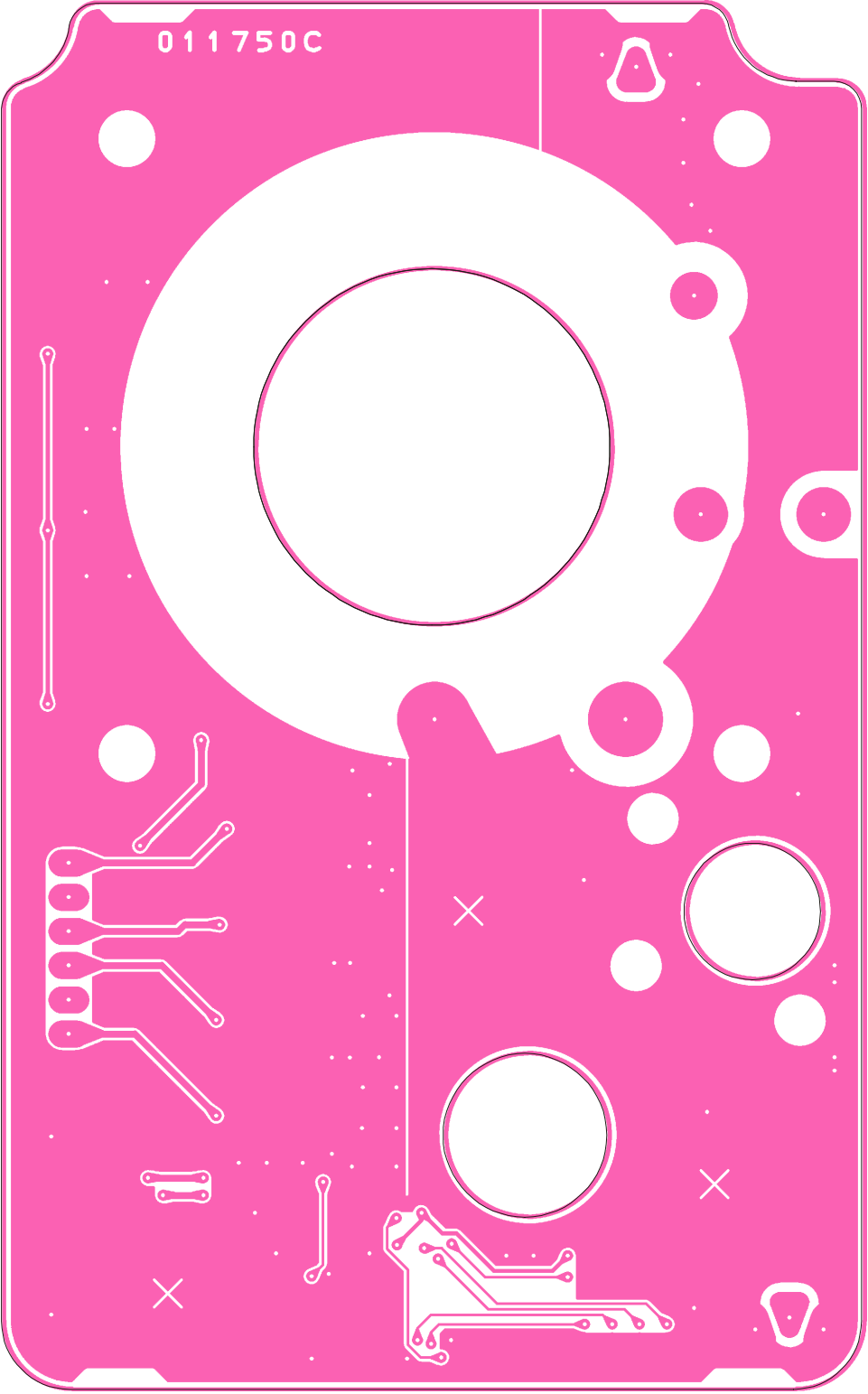


# TUNE-2 Unit (D Type, MTU-80/40)

## Parts Layout



Side A



Side B

# TUNE-2 Unit (D Type, MTU-80/40)

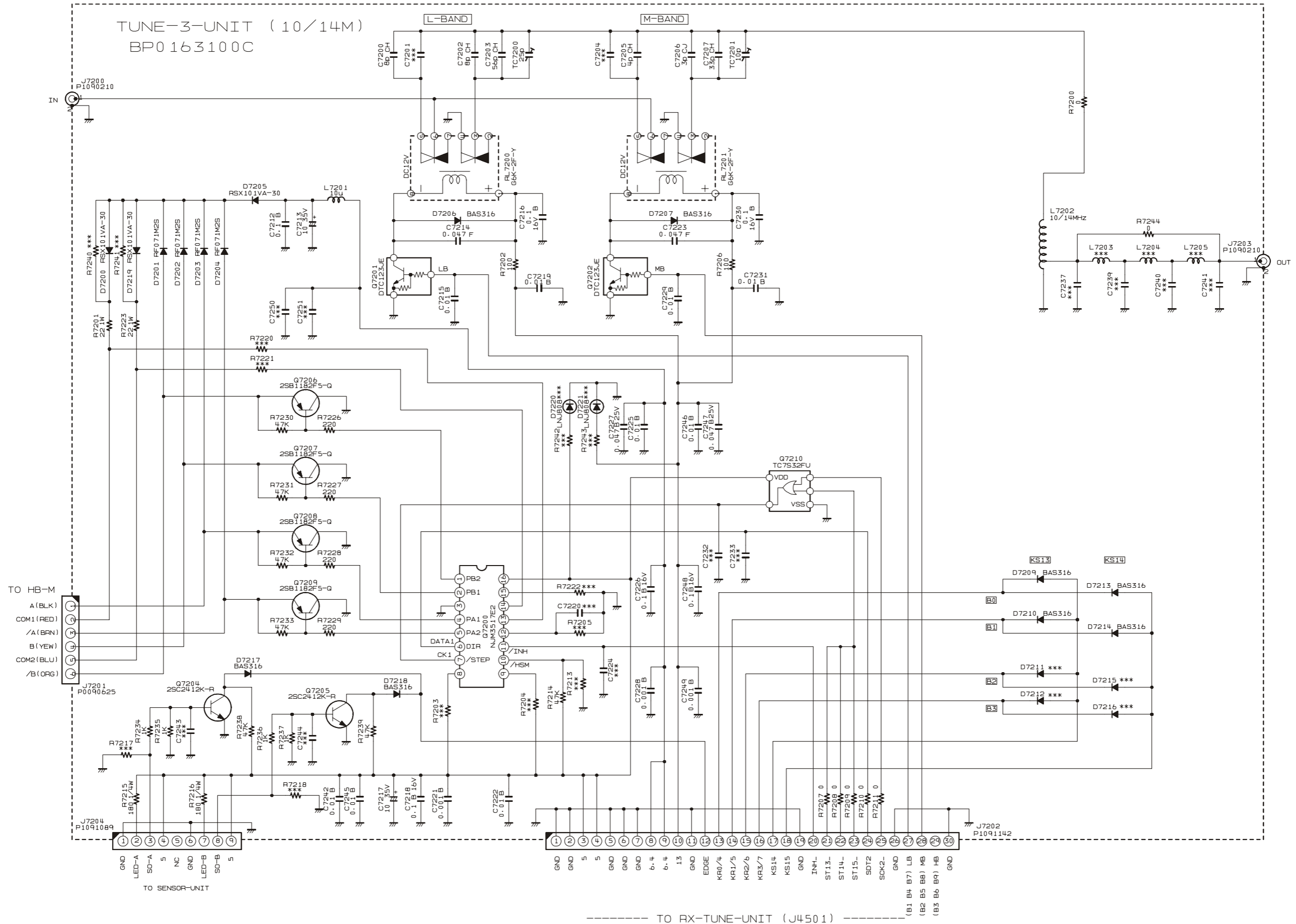
## Parts List

REF	DESCRIPTION	VALUE	V/W	TOL.	MFR'S DESIG	VXSTD P/N	VERS.	LOT	SIDE	LAY ADR	
PCB with Components						CB2771001					
Printed Circuit Board						FR011750C				1-	
C 7100	CHIP CAP.	33pF	50V	CH	GRM1882C1H330JA01D	K22174223				1-	
C 7102	CHIP CAP.	18pF	50V	CH	GRM1882C1H180JA01D	K22174217				1-	
C 7102	CHIP CAP.	33pF	50V	CH	GRM1882C1H330JA01D	K22174223				9-	
C 7103	CHIP CAP.	270pF	50V	CH	GRM1882C1H271JA01D	K22174251				1-	
C 7105	CHIP CAP.	18pF	50V	CH	GRM1882C1H180JA01D	K22174217				1-	
C 7106	CHIP CAP.	27pF	50V	CH	GRM1882C1H270JA01D	K22174221				1-	
C 7107	CHIP CAP.	100pF	50V	CH	GRM1882C1H101JA01D	K22174235				1-	
C 7108	CHIP CAP.	1pF	50V	CK	GRM1884C1H1R0CZ01D	K22174202				1-	
C 7109	CHIP CAP.	10pF	50V	CH	GRM1882C1H100JA01D	K22174211				1-	
C 7110	CHIP CAP.	9pF	50V	CH	GRM1882C1H9R0DZ01D	K22174210				1-	
C 7111	CHIP CAP.	56pF	50V	CH	GRM1882C1H560JA01D	K22174229				1-	
C 7112	CHIP CAP.	0.1uF	50V	B	GRM42-6B104K50PT	K22171820				1-	
C 7113	AL.ELECTRO.CAP.	10uF	35V		ECEV1VA100WR	K48160004				1-	
C 7113	AL.ELECTRO.CAP.	10uF	35V		EEE1VA100WR	K48160006				9-	
C 7114	CHIP CAP.	0.047uF	25V	F	GRM39F473Z25PT	K22145002				1-	
C 7114	CHIP CAP.	0.047uF	50V	F	GRM188F11H473ZA01D	K22175001				27-	
C 7115	CHIP CAP.	0.01uF	50V	B	GRM188B11H103JA01D	K22174824				1-	
C 7116	CHIP CAP.	0.1uF	16V	B	GRM188B11C104KA01D	K22124805				1-	
C 7117	AL.ELECTRO.CAP.	10uF	35V		ECEV1VA100WR	K48160004				1-	
C 7117	AL.ELECTRO.CAP.	10uF	35V		EEE1VA100WR	K48160006				9-	
C 7118	CHIP CAP.	0.1uF	16V	B	GRM188B11C104KA01D	K22124805				1-	
C 7119	CHIP CAP.	0.01uF	50V	B	GRM188B11H103JA01D	K22174824				1-	
C 7121	CHIP CAP.	0.001uF	50V	B	GRM188B11H102KA01D	K22174821				1-	
C 7122	CHIP CAP.	0.01uF	50V	B	GRM188B11H103KA01D	K22174823				1-	
C 7123	CHIP CAP.	0.047uF	25V	F	GRM39F473Z25PT	K22145002				27-	
C 7123	CHIP CAP.	0.047uF	50V	F	GRM188F11H473ZA01D	K22175001				1-	
C 7125	CHIP CAP.	0.01uF	50V	B	GRM188B11H103JA01D	K22174824				1-	
C 7126	CHIP CAP.	0.1uF	16V	B	GRM188B11C104KA01D	K22124805				1-	
C 7127	CHIP CAP.	0.047uF	16V	B	GRM39B473K16PT	K22124804				1-	
C 7127	CHIP CAP.	0.047uF	25V	B	GRM188B11E473KA01D	K22144811				27-	
C 7128	CHIP CAP.	0.001uF	50V	B	GRM188B11H102KA01D	K22174821				1-	
C 7129	CHIP CAP.	0.01uF	50V	B	GRM188B11H103JA01D	K22174824				1-	
C 7130	CHIP CAP.	0.1uF	16V	B	GRM188B11C104KA01D	K22124805				1-	
C 7131	CHIP CAP.	0.01uF	50V	B	GRM188B11H103JA01D	K22174824				1-	
C 7134	CHIP CAP.	0.047uF	25V	F	GRM39F473Z25PT	K22145002				1-	
C 7134	CHIP CAP.	0.047uF	50V	F	GRM188F11H473ZA01D	K22175001				27-	
C 7135	CHIP CAP.	0.1uF	16V	B	GRM188B11C104KA01D	K22124805				1-	
C 7136	CHIP CAP.	0.01uF	50V	B	GRM188B11H103JA01D	K22174824				1-	
C 7138	CHIP CAP.	0.01uF	50V	B	GRM188B11H103JA01D	K22174824				1-	
C 7142	CHIP CAP.	0.01uF	50V	B	GRM188B11H103KA01D	K22174823				1-	
C 7145	CHIP CAP.	0.01uF	50V	B	GRM188B11H103KA01D	K22174823				1-	
C 7146	CHIP CAP.	0.01uF	50V	B	GRM188B11H103JA01D	K22174824				1-	
C 7147	CHIP CAP.	0.047uF	16V	B	GRM39B473K16PT	K22124804				1-	
C 7147	CHIP CAP.	0.047uF	25V	B	GRM188B11E473KA01D	K22144811				27-	
C 7148	CHIP CAP.	0.1uF	16V	B	GRM188B11C104KA01D	K22124805				1-	
C 7149	CHIP CAP.	0.001uF	50V	B	GRM188B11H102KA01D	K22174821				1-	
C 7152	CERAMIC CAP.	0.1uF	50V	B	UP050B104K-A-B	K28179098				2-	
D 7100	DIODE				RSX101VA-30TR	G2070984				1-	
D 7101	DIODE				RF071M2S-TR	G2071068				1-	
D 7102	DIODE				RF071M2S-TR	G2071068				1-	
D 7103	DIODE				RF071M2S-TR	G2071068				1-	
D 7104	DIODE				RF071M2S-TR	G2071068				1-	
D 7105	DIODE				RSX101VA-30TR	G2070984				1-	
D 7106	DIODE				BAS316	G2070716				1-	
D 7107	DIODE				BAS316	G2070716				1-	
D 7108	DIODE				BAS316	G2070716				1-	
D 7110	DIODE				BAS316	G2070716				1-	
D 7114	DIODE				BAS316	G2070716				1-	
D 7117	DIODE				BAS316	G2070716				1-	
D 7118	DIODE				BAS316	G2070716				1-	
D 7119	DIODE				RSX101VA-30TR	G2070984				1-	
J 7100	CONNECTOR				TMP-J01X-V6	P1090210				1-	
J 7101	CONNECTOR				SC25-06WS	P0090625				1-	
J 7102	CONNECTOR				30FLT-SM2-TB(LF)(SN)(M)	P1091142				1-	
J 7103	CONNECTOR				TMP-J01X-V6	P1090210				1-	
J 7104	CONNECTOR				09FMN-BMTTN-TFT(LF)(SN)	P1091089				1-	
L 7101	M.RFC	10uH			CDRH73NP-100MC	L1690598				1-	
L 7102	COILRF				SC-131 3.5/5.0/7.0MHZ	L0022902				1-	
L 7102	COIL RF				SC-131 3.5/5.0/7.0MHZ	L0022902A				3-	
L 7102	COILRF				SC-131 3.5/5.0/7.0MHZ	L0022902B				14-	
MO7100	STEPPINGMOTOR				KH39GM2-026	M2190029				1-	

# TUNE-2 Unit (D Type, MTU-80/40)

## Parts List

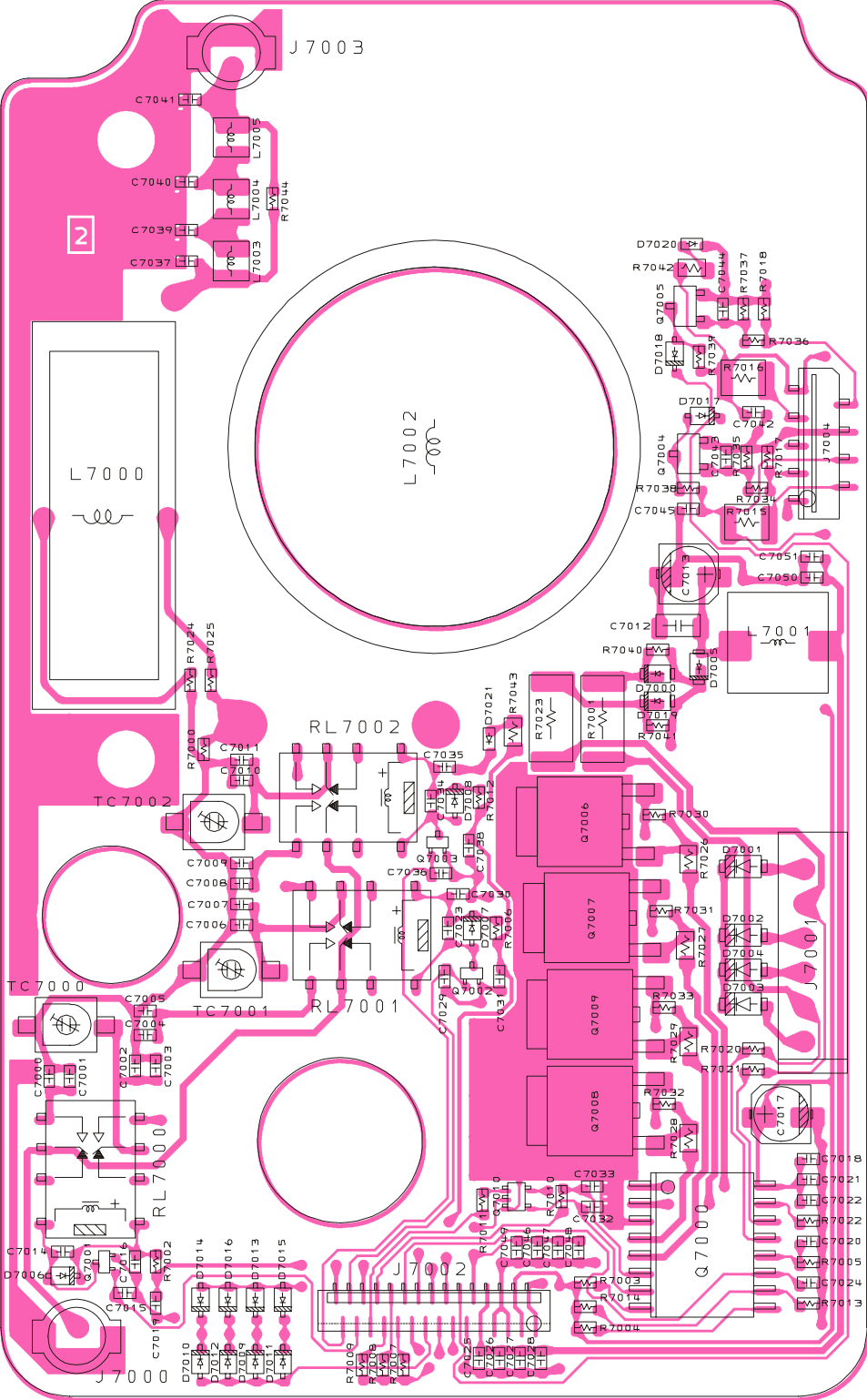
REF	DESCRIPTION	VALUE	V/W	TOL.	MFR'S DESIG	VXSTD P/N	VERS.	LOT	SIDE	LAY ADR
Q 7100	IC				NJM3517E2-TE2	G1093849		1-		
Q 7101	TRANSISTOR				DTC123JE TL	G3070323		1-		
Q 7102	TRANSISTOR				DTC123JE TL	G3070323		1-		
Q 7103	TRANSISTOR				DTC123JE TL	G3070323		1-		
Q 7104	TRANSISTOR				2SC2412K-T146-R	G3324128R		1-		
Q 7105	TRANSISTOR				2SC2412K-T146-R	G3324128R		1-		
Q 7106	TRANSISTOR				2SB1182-TLQ	G3070063		1-		
Q 7107	TRANSISTOR				2SB1182-TLQ	G3070063		1-		
Q 7108	TRANSISTOR				2SB1182-TLQ	G3070063		1-		
Q 7109	TRANSISTOR				2SB1182-TLQ	G3070063		1-		
Q 7110	IC				TC7S32FU(TE85R.F)	G1091529		1-		
R 7100	CHIPRES.	0	1/16W	5%	RMC1/16 000JATP	J24185000		1-		
R 7101	CHIPRES.	22	1W	5%	RMC1 220JTE	J24305220		1-		
R 7102	CHIPRES.	100	1/16W	5%	RMC1/16 101JATP	J24185101		1-		
R 7106	CHIPRES.	100	1/16W	5%	RMC1/16 101JATP	J24185101		1-		
R 7107	CHIPRES.	0	1/16W	5%	RMC1/16 000JATP	J24185000		1-		
R 7108	CHIPRES.	0	1/16W	5%	RMC1/16 000JATP	J24185000		1-		
R 7109	CHIPRES.	0	1/16W	5%	RMC1/16 000JATP	J24185000		1-		
R 7110	CHIPRES.	0	1/16W	5%	RMC1/16 000JATP	J24185000		1-		
R 7111	CHIPRES.	0	1/16W	5%	RMC1/16 000JATP	J24185000		1-		
R 7112	CHIPRES.	100	1/16W	5%	RMC1/16 101JATP	J24185101		1-		
R 7114	CHIPRES.	47k	1/16W	5%	RMC1/16 473JATP	J24185473		1-		
R 7115	CHIPRES.	180	1/4W	5%	RMC1/4 181JATP	J24245181		1-		
R 7116	CHIPRES.	180	1/4W	5%	RMC1/4 181JATP	J24245181		1-		
R 7123	CHIPRES.	22	1W	5%	RMC1 220JTE	J24305220		1-		
R 7126	CHIPRES.	220	1/10W	5%	RMC1/10T 221J	J24205221		1-		
R 7127	CHIPRES.	220	1/10W	5%	RMC1/10T 221J	J24205221		1-		
R 7128	CHIPRES.	220	1/10W	5%	RMC1/10T 221J	J24205221		1-		
R 7129	CHIPRES.	220	1/10W	5%	RMC1/10T 221J	J24205221		1-		
R 7130	CHIPRES.	47k	1/16W	5%	RMC1/16 473JATP	J24185473		1-		
R 7131	CHIPRES.	47k	1/16W	5%	RMC1/16 473JATP	J24185473		1-		
R 7132	CHIPRES.	47k	1/16W	5%	RMC1/16 473JATP	J24185473		1-		
R 7133	CHIPRES.	47k	1/16W	5%	RMC1/16 473JATP	J24185473		1-		
R 7134	CHIPRES.	1k	1/16W	5%	RMC1/16 102JATP	J24185102		1-		
R 7135	CHIPRES.	1k	1/16W	5%	RMC1/16 102JATP	J24185102		1-		
R 7136	CHIPRES.	1k	1/16W	5%	RMC1/16 102JATP	J24185102		1-		
R 7137	CHIPRES.	1k	1/16W	5%	RMC1/16 102JATP	J24185102		1-		
R 7138	CHIPRES.	47k	1/16W	5%	RMC1/16 473JATP	J24185473		1-		
R 7139	CHIPRES.	47k	1/16W	5%	RMC1/16 473JATP	J24185473		1-		
R 7144	CHIPRES.	0	1/16W	5%	RMC1/16 000JATP	J24185000		1-		
RL7100	RELAY		DC12V		G6K-2F-Y-TR DC12V	M1190183		1-		
RL7101	RELAY		DC12V		G6K-2F-Y-TR DC12V	M1190183		1-		
RL7102	RELAY		DC12V		G6K-2F-Y-TR DC12V	M1190183		1-		
TC7100	TRIMMERCAP.	50pF			TZB4R500EA10R00	K91000277		1-		
TC7101	TRIMMERCAP.	50pF			TZB4R500EA10R00	K91000277		1-		
TC7102	TRIMMERCAP.	25pF			TZB4Z250EA10R00	K91000276		1-		
Y 7100	CORE				7A3 TRB-20-10-10 X5	L9190139		1-		
Y 7100	CORE				7A3 TRB-20-10-10 X5	L9190139A		10-		



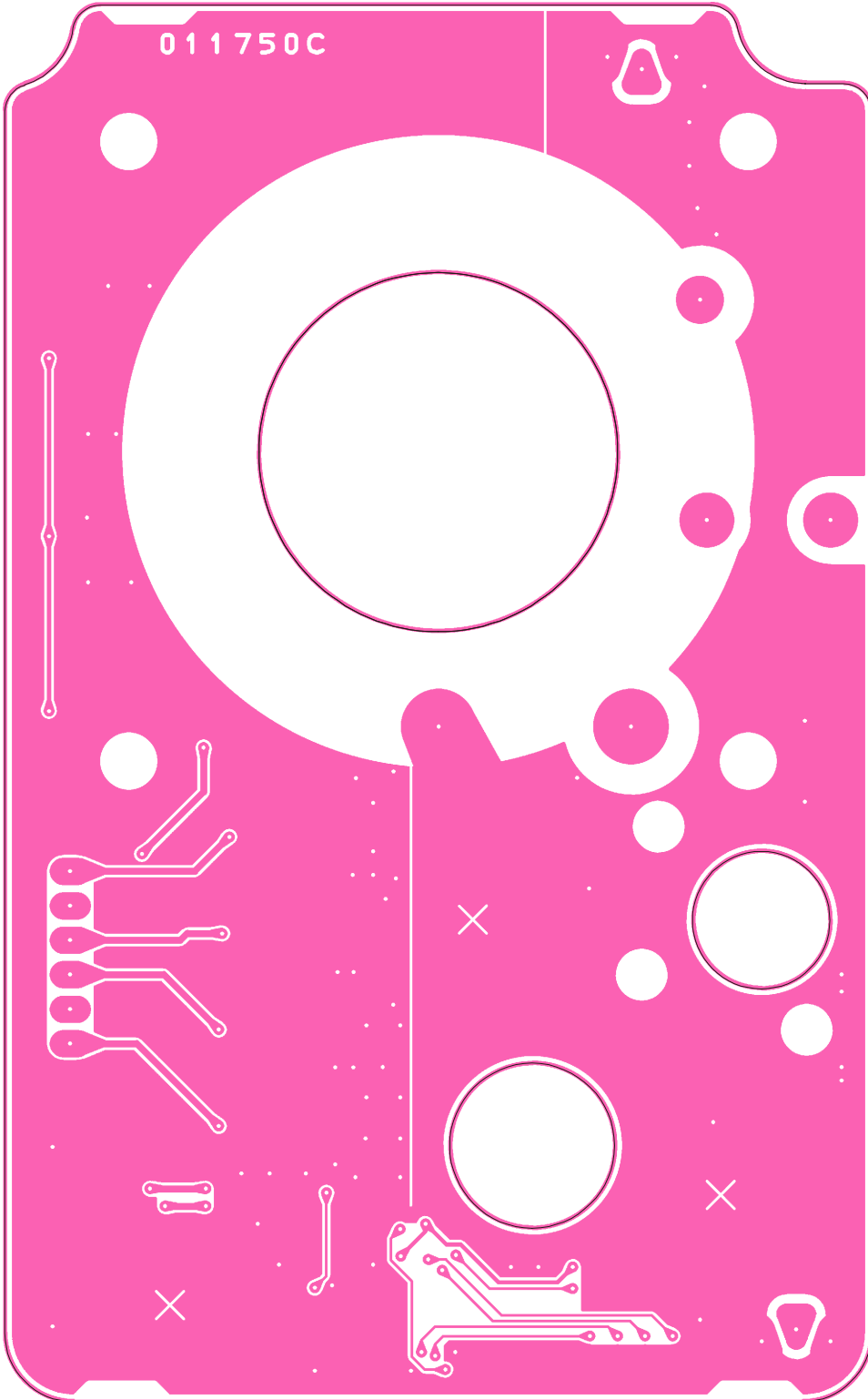


# TUNE-3 Unit (D Type, MTU-30/20)

## Parts Layout



Side A



Side B

# TUNE-3 Unit (D Type, MTU-30/20)

## Parts List

REF	DESCRIPTION	VALUE	V/W	TOL.	MFR'S DESIG	VXSTD P/N	VERS.	LOT	SIDE	LAY ADR	
PCB with Components						CB2772001					
Printed Circuit Board						FR011750C			1-		
C 7200	CHIP CAP.	8pF	50V	CH	GRM1882C1H8R0DZ01D	K22174209		1-			
C 7202	CHIP CAP.	8pF	50V	CH	GRM1882C1H8R0DZ01D	K22174209		1-			
C 7203	CHIP CAP.	56pF	50V	CH	GRM1882C1H560JA01D	K22174229		1-			
C 7205	CHIP CAP.	4pF	50V	CH	GRM1882C1H4R0CZ01D	K22174205		1-			
C 7206	CHIP CAP.	3pF	50V	CJ	GRM1883C1H3R0CZ01D	K22174204		2-			
C 7207	CHIP CAP.	33pF	50V	CH	GRM1882C1H330JA01D	K22174223		1-			
C 7212	CHIP CAP.	0.1uF	50V	B	GRM42-6B104K50PT	K22171820		1-			
C 7213	AL.ELECTRO.CAP.	10uF	35V		ECEV1VA100WR	K48160004		1-			
C 7213	AL.ELECTRO.CAP.	10uF	35V		EEE1VA100WR	K48160006		9-			
C 7214	CHIP CAP.	0.047uF	25V	F	GRM39F473Z25PT	K22145002		1-			
C 7214	CHIP CAP.	0.047uF	50V	F	GRM188F11H473ZA01D	K22175001		27-			
C 7215	CHIP CAP.	0.01uF	50V	B	GRM188B11H103JA01D	K22174824		1-			
C 7216	CHIP CAP.	0.1uF	16V	B	GRM188B11C104KA01D	K22124805		1-			
C 7217	AL.ELECTRO.CAP.	10uF	35V		ECEV1VA100WR	K48160004		1-			
C 7217	AL.ELECTRO.CAP.	10uF	35V		EEE1VA100WR	K48160006		9-			
C 7218	CHIP CAP.	0.1uF	16V	B	GRM188B11C104KA01D	K22124805		1-			
C 7219	CHIP CAP.	0.01uF	50V	B	GRM188B11H103JA01D	K22174824		1-			
C 7221	CHIP CAP.	0.001uF	50V	B	GRM188B11H102KA01D	K22174821		1-			
C 7222	CHIP CAP.	0.01uF	50V	B	GRM188B11H103KA01D	K22174823		1-			
C 7223	CHIP CAP.	0.047uF	25V	F	GRM39F473Z25PT	K22145002		1-			
C 7223	CHIP CAP.	0.047uF	50V	F	GRM188F11H473ZA01D	K22175001		27-			
C 7225	CHIP CAP.	0.01uF	50V	B	GRM188B11H103JA01D	K22174824		1-			
C 7226	CHIP CAP.	0.1uF	16V	B	GRM188B11C104KA01D	K22124805		1-			
C 7227	CHIP CAP.	0.047uF	16V	B	GRM39B473K16PT	K22124804		1-			
C 7227	CHIP CAP.	0.047uF	25V	B	GRM188B11E473KA01D	K22144811		27-			
C 7228	CHIP CAP.	0.001uF	50V	B	GRM188B11H102KA01D	K22174821		1-			
C 7229	CHIP CAP.	0.01uF	50V	B	GRM188B11H103JA01D	K22174824		1-			
C 7230	CHIP CAP.	0.1uF	16V	B	GRM188B11C104KA01D	K22124805		1-			
C 7231	CHIP CAP.	0.01uF	50V	B	GRM188B11H103JA01D	K22174824		1-			
C 7242	CHIP CAP.	0.01uF	50V	B	GRM188B11H103KA01D	K22174823		1-			
C 7245	CHIP CAP.	0.01uF	50V	B	GRM188B11H103KA01D	K22174823		1-			
C 7246	CHIP CAP.	0.01uF	50V	B	GRM188B11H103JA01D	K22174824		1-			
C 7247	CHIP CAP.	0.047uF	16V	B	GRM39B473K16PT	K22124804		1-			
C 7247	CHIP CAP.	0.047uF	25V	B	GRM188B11E473KA01D	K22144811		27-			
C 7248	CHIP CAP.	0.1uF	16V	B	GRM188B11C104KA01D	K22124805		1-			
C 7249	CHIP CAP.	0.001uF	50V	B	GRM188B11H102KA01D	K22174821		1-			
D 7200	DIODE				RSX101VA-30TR	G2070984		1-			
D 7201	DIODE				RF071M2S-TR	G2071068		1-			
D 7202	DIODE				RF071M2S-TR	G2071068		1-			
D 7203	DIODE				RF071M2S-TR	G2071068		1-			
D 7204	DIODE				RF071M2S-TR	G2071068		1-			
D 7205	DIODE				RSX101VA-30TR	G2070984		1-			
D 7206	DIODE				BAS316	G2070716		1-			
D 7207	DIODE				BAS316	G2070716		1-			
D 7209	DIODE				BAS316	G2070716		1-			
D 7210	DIODE				BAS316	G2070716		1-			
D 7213	DIODE				BAS316	G2070716		1-			
D 7214	DIODE				BAS316	G2070716		1-			
D 7217	DIODE				BAS316	G2070716		1-			
D 7218	DIODE				BAS316	G2070716		1-			
D 7219	DIODE				RSX101VA-30TR	G2070984		1-			
J 7200	CONNECTOR				TMP-J01X-V6	P1090210		1-			
J 7201	CONNECTOR				SC25-06WS	P0090625		1-			
J 7202	CONNECTOR				30FLT-SM2-TB(LF)(SN)(M)	P1091142		1-			
J 7203	CONNECTOR				TMP-J01X-V6	P1090210		1-			
J 7204	CONNECTOR				09FMN-BMTTN-TFT(LF)(SN)	P1091089		1-			
L 7201	M.RFC	10uH			CDRH73NP-100MC	L1690598		1-			
L 7202	COIL RF				SC-132 10/14MHZ	L0022903		1-			
L 7202	COIL RF				SC-132 10/14MHZ	L0022903A		3-			
L 7202	COIL RF				SC-132 10/14MHZ	L0022903B		14-			
MO7200	STEPPINGMOTOR				KH39GM2-026	M2190029		1-			
Q 7200	IC				NJM3517E2-TE2	G1093849		1-			
Q 7201	TRANSISTOR				DTC123JE TL	G3070323		1-			
Q 7202	TRANSISTOR				DTC123JE TL	G3070323		1-			
Q 7204	TRANSISTOR				2SC2412K-T146-R	G3324128R		1-			
Q 7205	TRANSISTOR				2SC2412K-T146-R	G3324128R		1-			
Q 7206	TRANSISTOR				2SB1182-TLQ	G3070063		1-			
Q 7207	TRANSISTOR				2SB1182-TLQ	G3070063		1-			
Q 7208	TRANSISTOR				2SB1182-TLQ	G3070063		1-			
Q 7209	TRANSISTOR				2SB1182-TLQ	G3070063		1-			
Q 7210	IC				TC7S32FU(TE85R.F)	G1091529		1-			

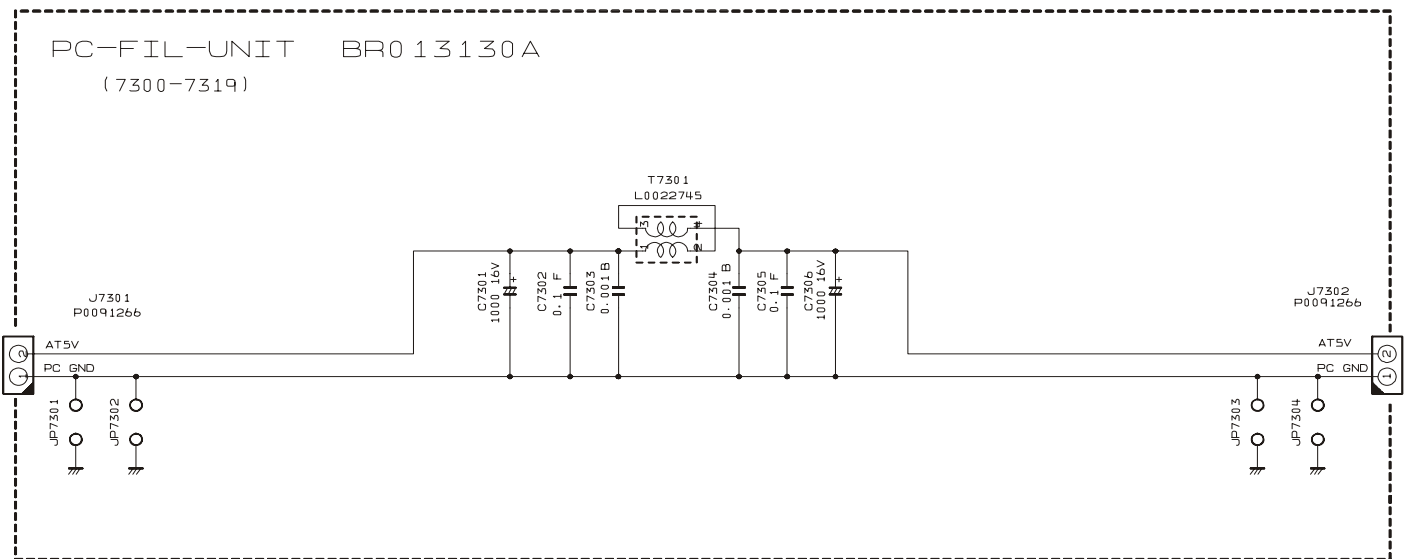
# TUNE-3 Unit (D Type, MTU-30/20)

## Parts List

REF	DESCRIPTION	VALUE	V/W	TOL.	MFR'S DESIG	VXSTD P/N	VERS.	LOT	SIDE	LAY ADR
R 7200	CHIPRES.	0	1/16W	5%	RMC1/16 000JATP	J24185000		1-		
R 7201	CHIPRES.	22	1W	5%	RMC1 220JTE	J24305220		1-		
R 7202	CHIPRES.	100	1/16W	5%	RMC1/16 101JATP	J24185101		1-		
R 7206	CHIPRES.	100	1/16W	5%	RMC1/16 101JATP	J24185101		1-		
R 7207	CHIPRES.	0	1/16W	5%	RMC1/16 000JATP	J24185000		1-		
R 7208	CHIPRES.	0	1/16W	5%	RMC1/16 000JATP	J24185000		1-		
R 7209	CHIPRES.	0	1/16W	5%	RMC1/16 000JATP	J24185000		1-		
R 7210	CHIPRES.	0	1/16W	5%	RMC1/16 000JATP	J24185000		1-		
R 7211	CHIPRES.	0	1/16W	5%	RMC1/16 000JATP	J24185000		1-		
R 7214	CHIPRES.	47k	1/16W	5%	RMC1/16 473JATP	J24185473		1-		
R 7215	CHIPRES.	180	1/4W	5%	RMC1/4 181JATP	J24245181		1-		
R 7216	CHIPRES.	180	1/4W	5%	RMC1/4 181JATP	J24245181		1-		
R 7223	CHIPRES.	22	1W	5%	RMC1 220JTE	J24305220		1-		
R 7226	CHIPRES.	220	1/10W	5%	RMC1/10T 221J	J24205221		1-		
R 7227	CHIPRES.	220	1/10W	5%	RMC1/10T 221J	J24205221		1-		
R 7228	CHIPRES.	220	1/10W	5%	RMC1/10T 221J	J24205221		1-		
R 7229	CHIPRES.	220	1/10W	5%	RMC1/10T 221J	J24205221		1-		
R 7230	CHIPRES.	47k	1/16W	5%	RMC1/16 473JATP	J24185473		1-		
R 7231	CHIPRES.	47k	1/16W	5%	RMC1/16 473JATP	J24185473		1-		
R 7232	CHIPRES.	47k	1/16W	5%	RMC1/16 473JATP	J24185473		1-		
R 7233	CHIPRES.	47k	1/16W	5%	RMC1/16 473JATP	J24185473		1-		
R 7234	CHIPRES.	1k	1/16W	5%	RMC1/16 102JATP	J24185102		1-		
R 7235	CHIPRES.	1k	1/16W	5%	RMC1/16 102JATP	J24185102		1-		
R 7236	CHIPRES.	1k	1/16W	5%	RMC1/16 102JATP	J24185102		1-		
R 7237	CHIPRES.	1k	1/16W	5%	RMC1/16 102JATP	J24185102		1-		
R 7238	CHIPRES.	47k	1/16W	5%	RMC1/16 473JATP	J24185473		1-		
R 7239	CHIPRES.	47k	1/16W	5%	RMC1/16 473JATP	J24185473		1-		
R 7244	CHIPRES.	0	1/16W	5%	RMC1/16 000JATP	J24185000		1-		
RL7200	RELAY		DC12V		G6K-2F-Y-TR DC12V	M1190183		1-		
RL7201	RELAY		DC12V		G6K-2F-Y-TR DC12V	M1190183		1-		
TC7200	TRIMMERCAP.	25pF			TZB4Z250EA10R00	K91000276		1-		
TC7201	TRIMMERCAP.	10pF			TZB4Z100EA10R00	K91000272		1-		
Y 7200	CORE				7A3 TRB-20-10-10 X5	L9190139		1-		
Y 7200	CORE				7A3 TRB-20-10-10 X5	L9190139A		10-		

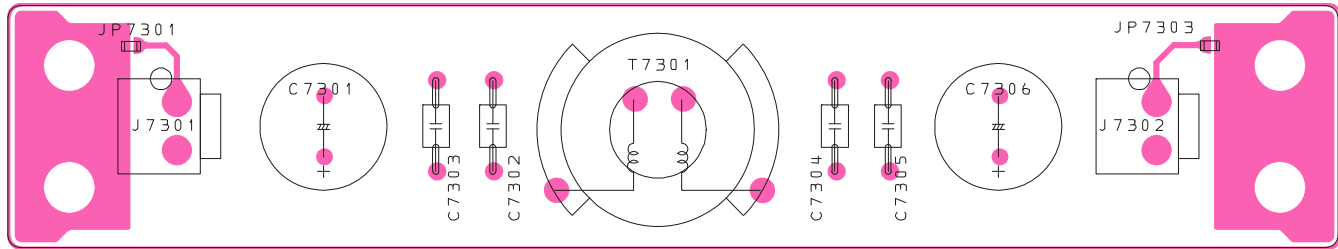
# PC-FIL Unit

## Circuit Diagram

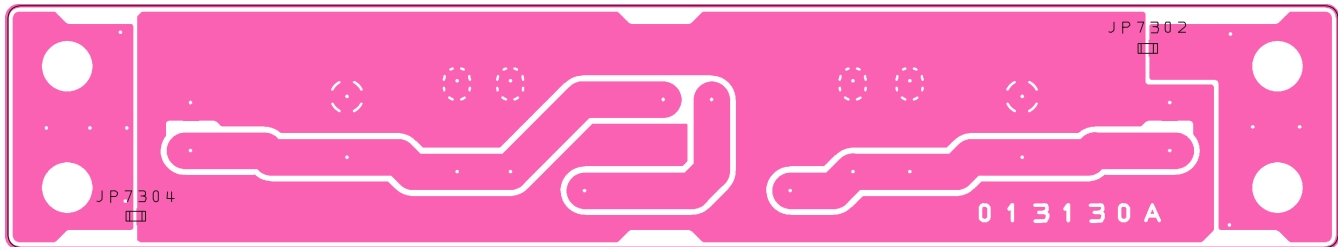


# PC-FIL Unit

## Parts Layout



Side A



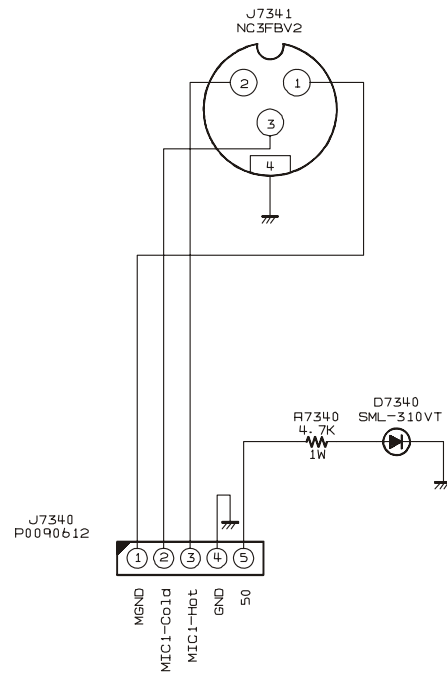
Side B

## Parts List

REF	DESCRIPTION	VALUE	V/W	TOL.	MFR'S DESIG	VXSTD P/N	VERS.	LOT	SIDE	LAY ADR
PCB with Components						CB3110001	MEM:ON	1-22		
						CB3110002	MEM:ON,CE:OFF	23-		
						CB3110003	MEM:ON,CE:ON	23-		
C 7301	AL.ELECTRO.CAP.	1000uF	16V		RE3-16V102MH3 1000UF	K40129096		1-	A	A1
C 7302	CERAMIC CAP.	0.1uF	50V	F	UP050F104Z-A-B	K28179003		1-	A	B1
C 7303	CERAMIC CAP.	0.001uF	50V	B	UP050B102K-A-B	K28179001		1-	A	B1
C 7304	CERAMIC CAP.	0.001uF	50V	B	UP050B102K-A-B	K28179001		1-	A	C1
C 7305	CERAMIC CAP.	0.1uF	50V	F	UP050F104Z-A-B	K28179003		1-	A	C1
C 7306	AL.ELECTRO.CAP.	1000uF	16V		RE3-16V102MH3 1000UF	K40129096		1-	A	C1
J 7301	CONNECTOR				B2P-VH	P0091266		1-	A	A1
J 7302	CONNECTOR				B2P-VH	P0091266		1-	A	D1
T 7301	TOROIDAL COIL				D12A R116X8X8(H007)	L0022745		1-	A	B1

# MIC-A Unit Circuit Diagram

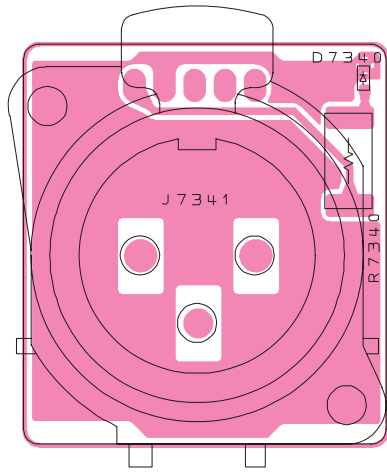
MIC-A-UNIT BR0 13150A  
(7340-7359)



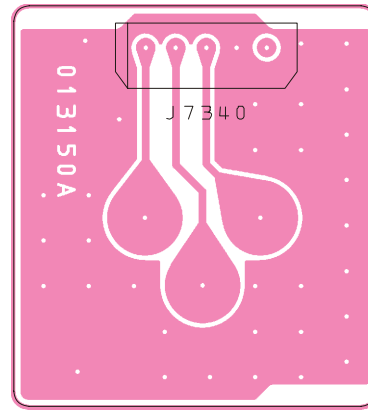
-- TO AF-UNIT --

# MIC-A Unit

## Parts Layout



Side A



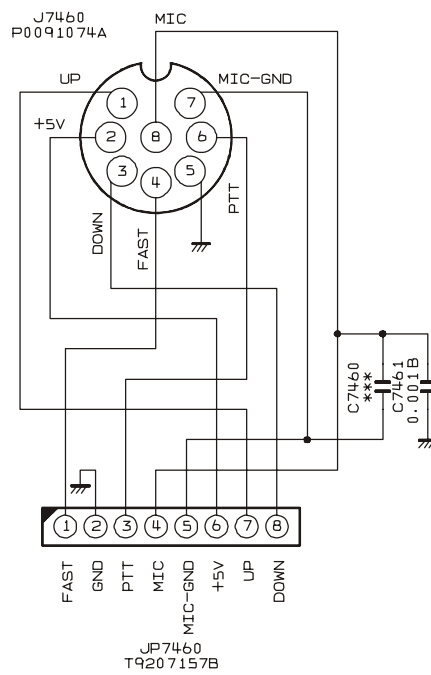
Side B

## Parts List

REF	DESCRIPTION	VALUE	V/W	TOL.	MFR'S DESIG	VXSTD P/N	VERS.	LOT	SIDE	LAY ADR
	PCB with Components					CB3112001				
	Printed Circuit Board					FR013150A		1-		
D 7340	LED				SML-310VTT86JK	G2071032		1-		
J 7340	CONNECTOR				SB20-05WS	P0090612		1-		
J 7341	CONNECTOR				NC3FBV2	P1091231		1-		
R 7340	CHIP RES.	4.7k	1W	5%	RMC1 472JTE	J24305472		1-		

# MIC-B Unit Circuit Diagram

MIC-B-UNIT  
BR0 13200A  
(7460-7479)

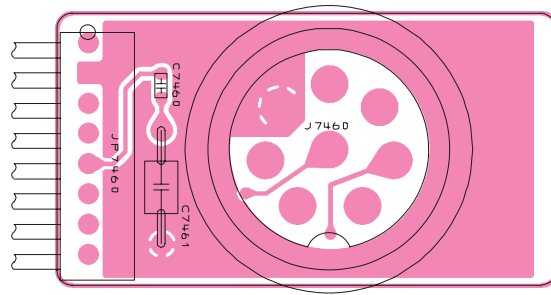


-- TO AF-UNIT --

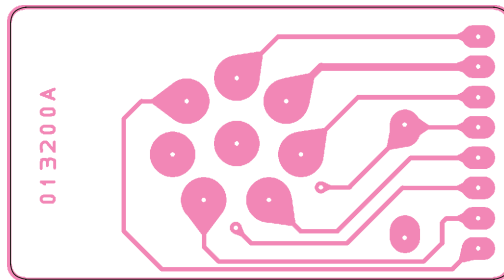


# MIC-B Unit

## Parts Layout



Side A

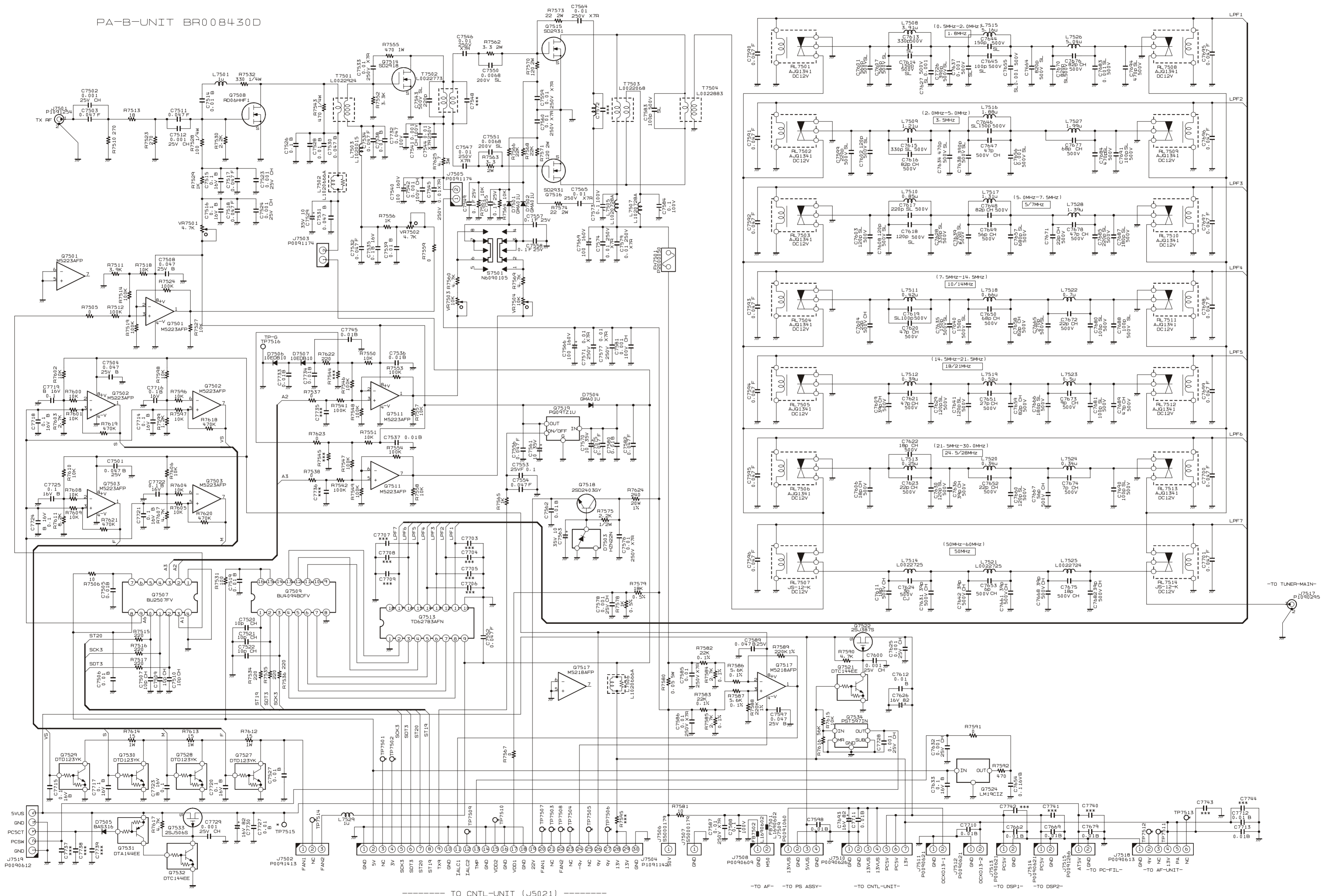


Side B

## Parts List

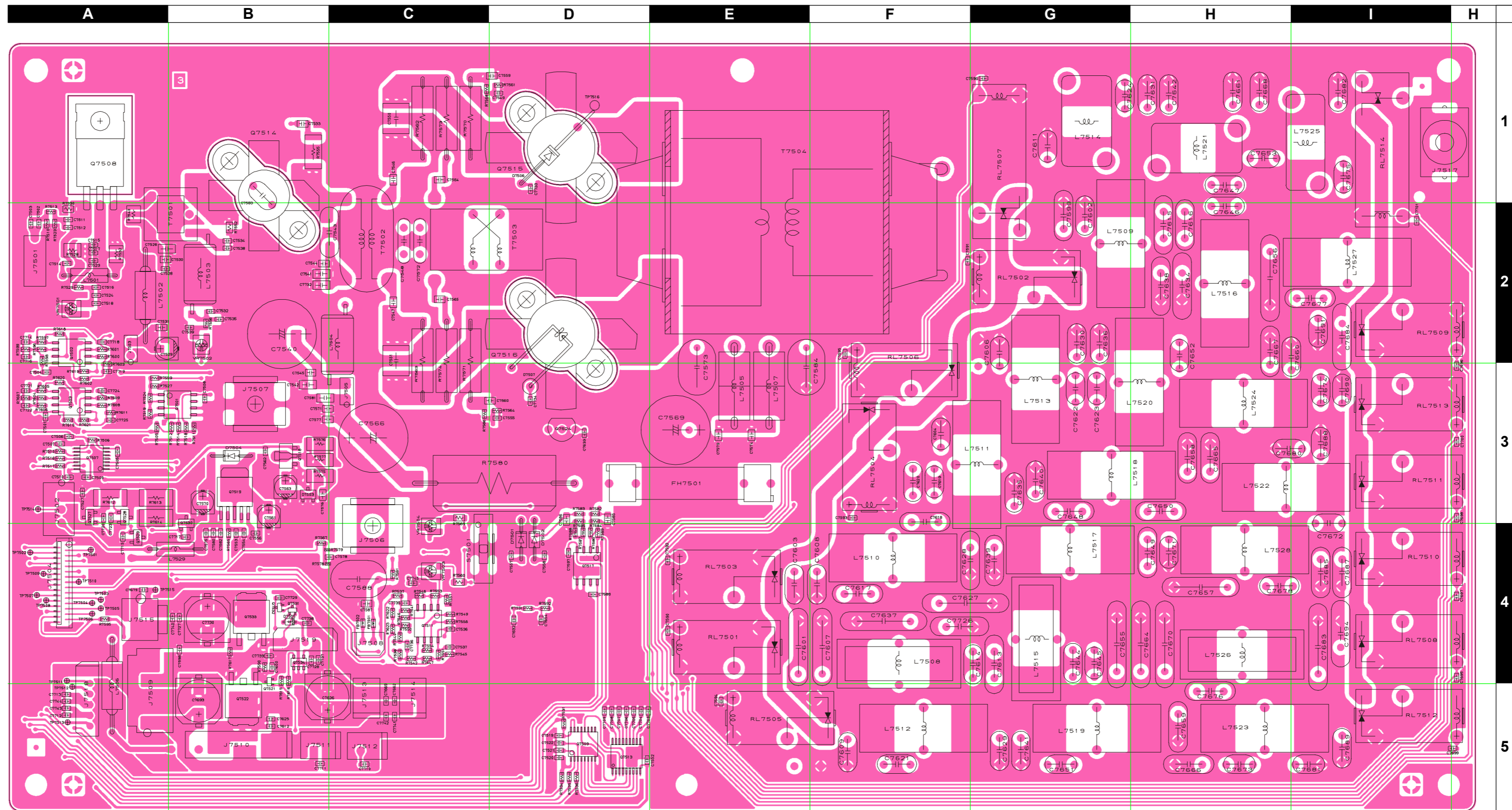
REF	DESCRIPTION	VALUE	V/W	TOL.	MFR'S DESIG	VXSTD P/N	VERS.	LOT	SIDE	LAY ADR
	PCB with Components					CB3118001				
	Printed Circuit Board					FR013200A		1-		
C 7461	CERAMIC CAP.	0.001uF	50V	B	UP050B102K-A-B	K28179001		1-		
J 7460	CONNECTOR				FM214-8SMPT-NI	P0091074		1-		
J 7460	CONNECTOR				FM214-8SMPT-NI	P0091074A		17-		
JP7460	WIRE ASSY				AH010H	T9207157A		1-		
JP7460	WIRE ASSY				AH010H	T9207157B		10-		
	NYLON CLAMP				PLT-1M BK-1	S3000022		3-		

PA-B-UNIT BR00B430D

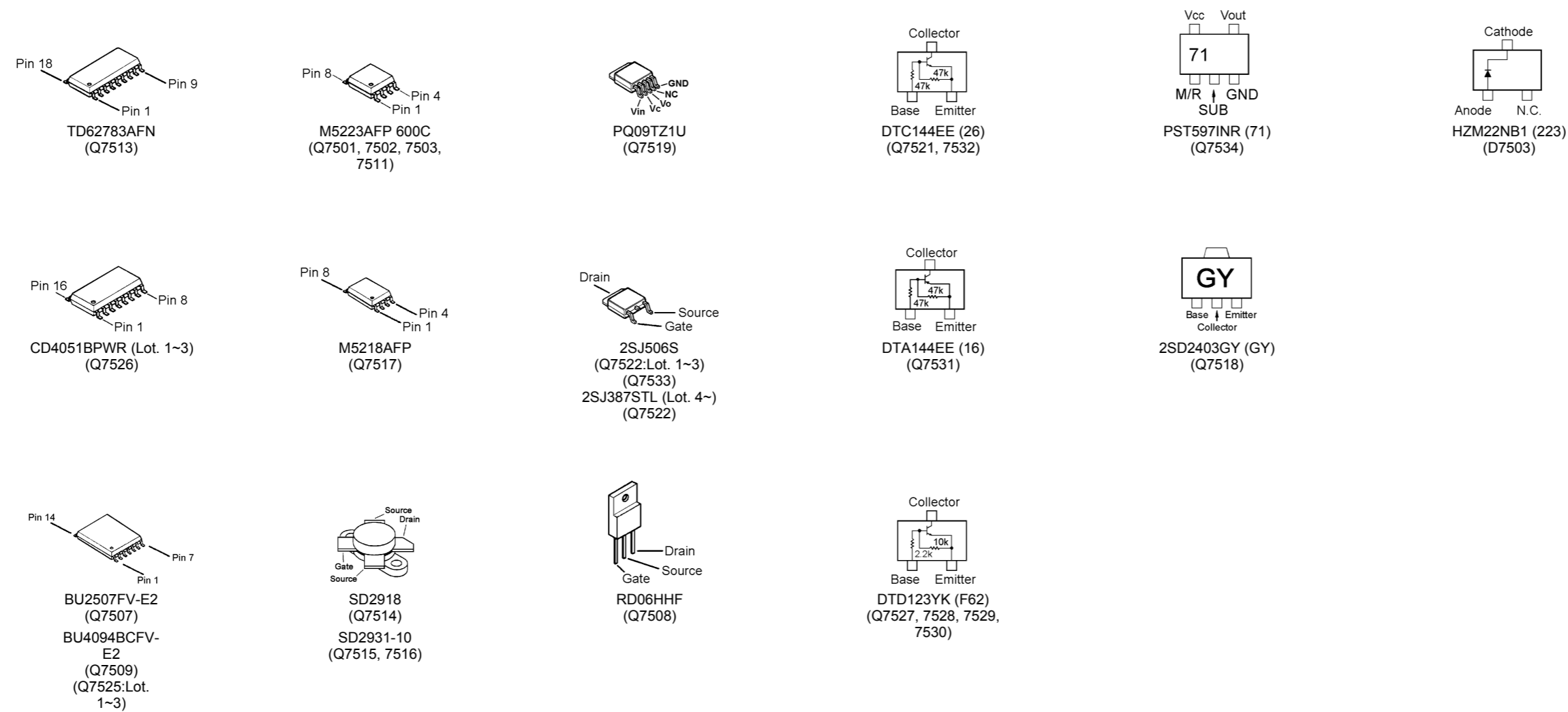


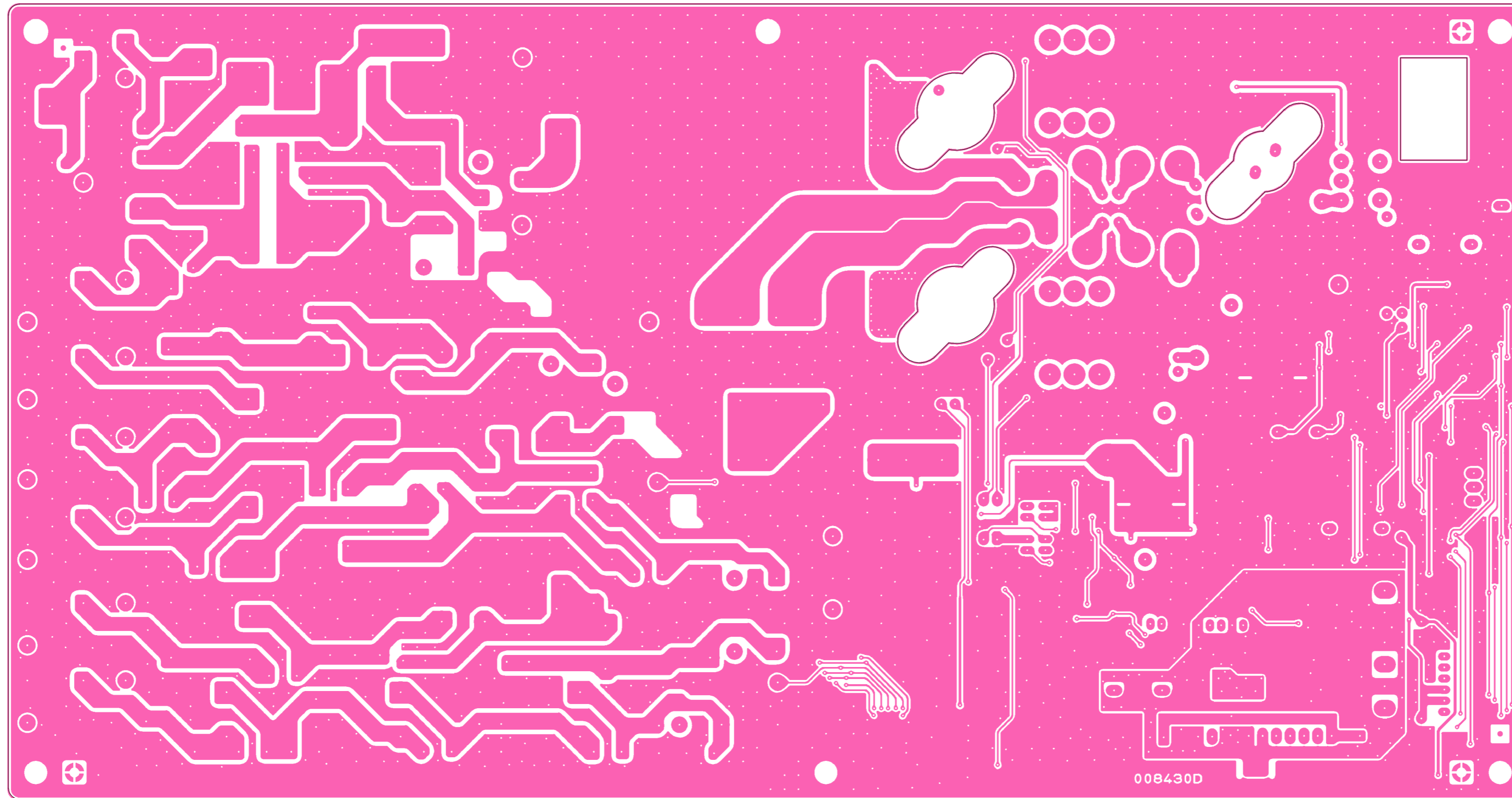
***PA-B Unit (D, Contest Type)***

*Note*



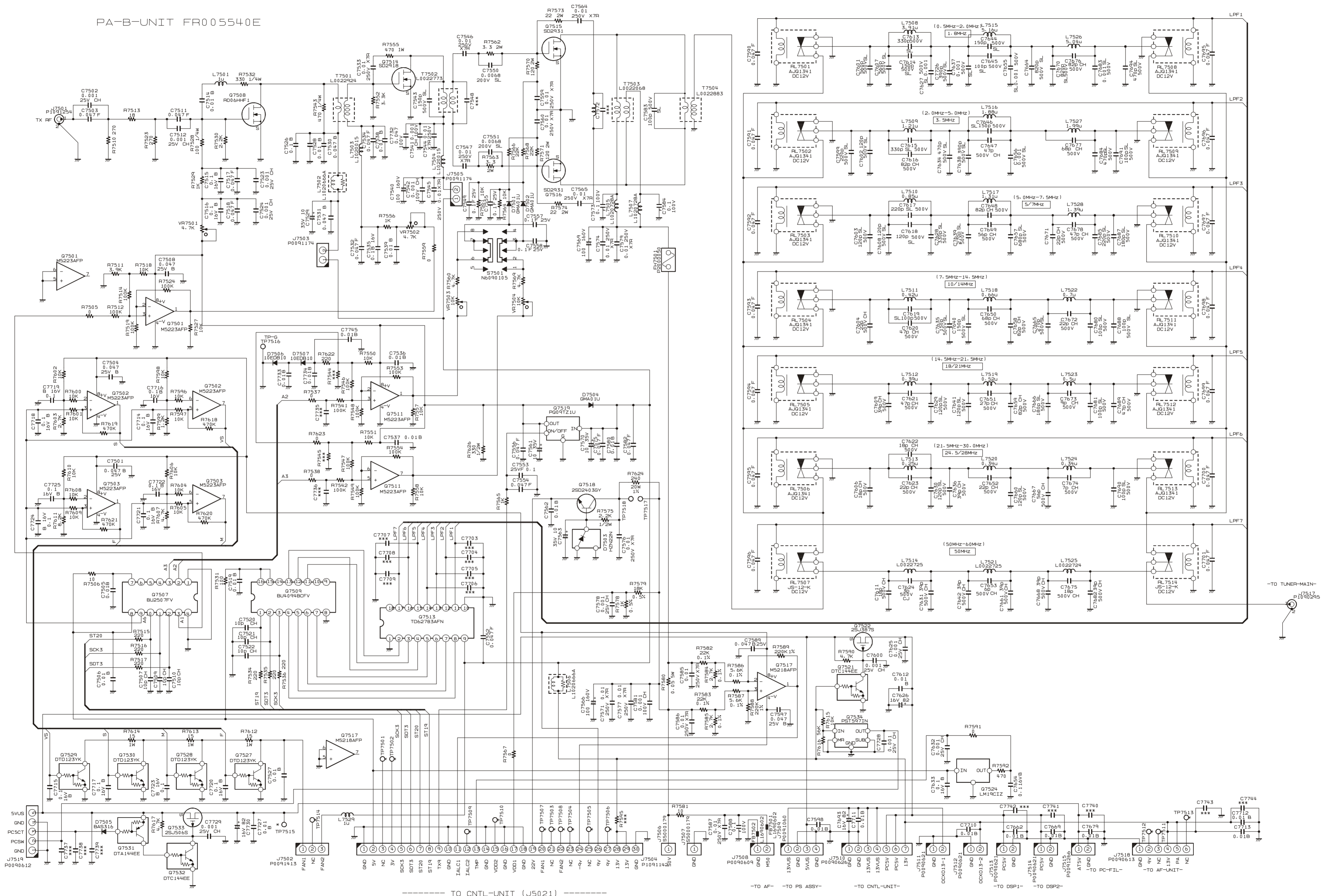
Side A





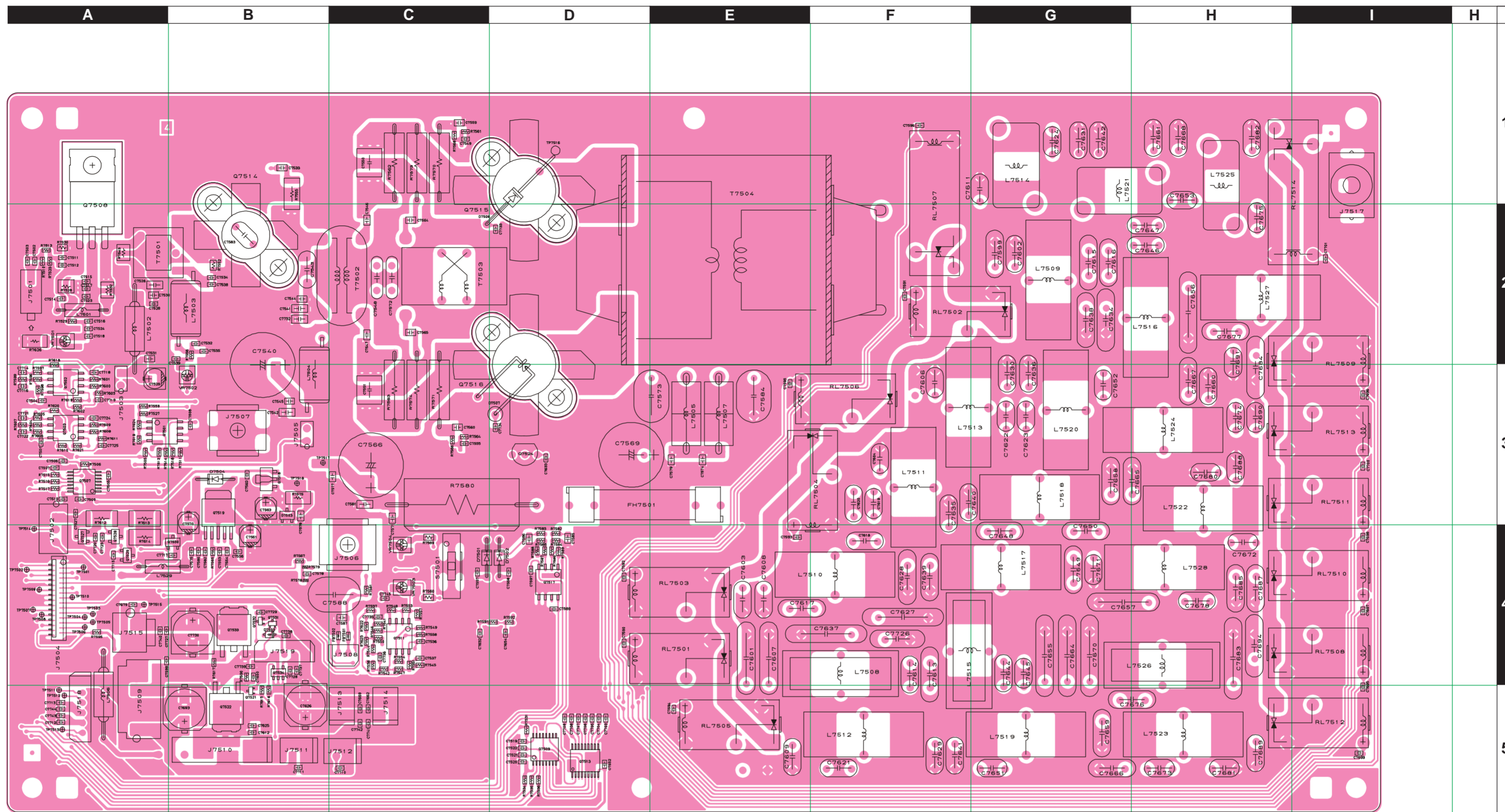
Side B

PA-B-UNIT FR005540E

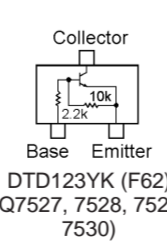
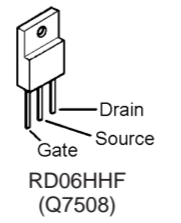
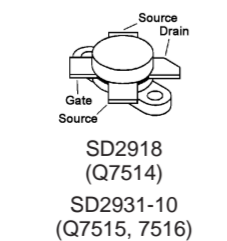
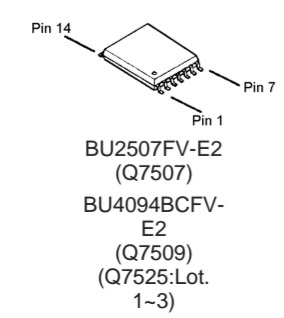
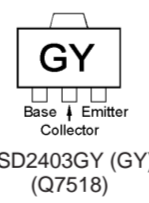
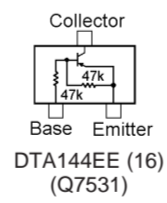
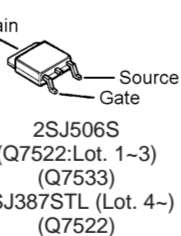
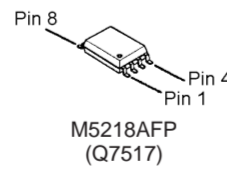
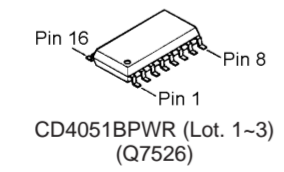
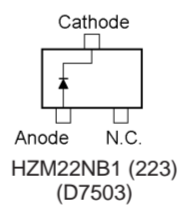
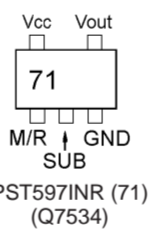
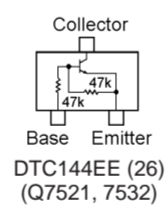
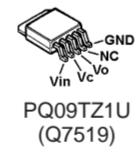
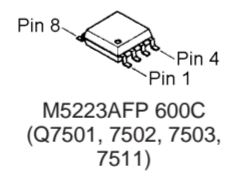
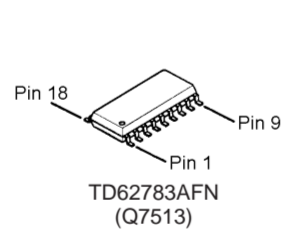


*PA-B Unit (D, Contest Type)*

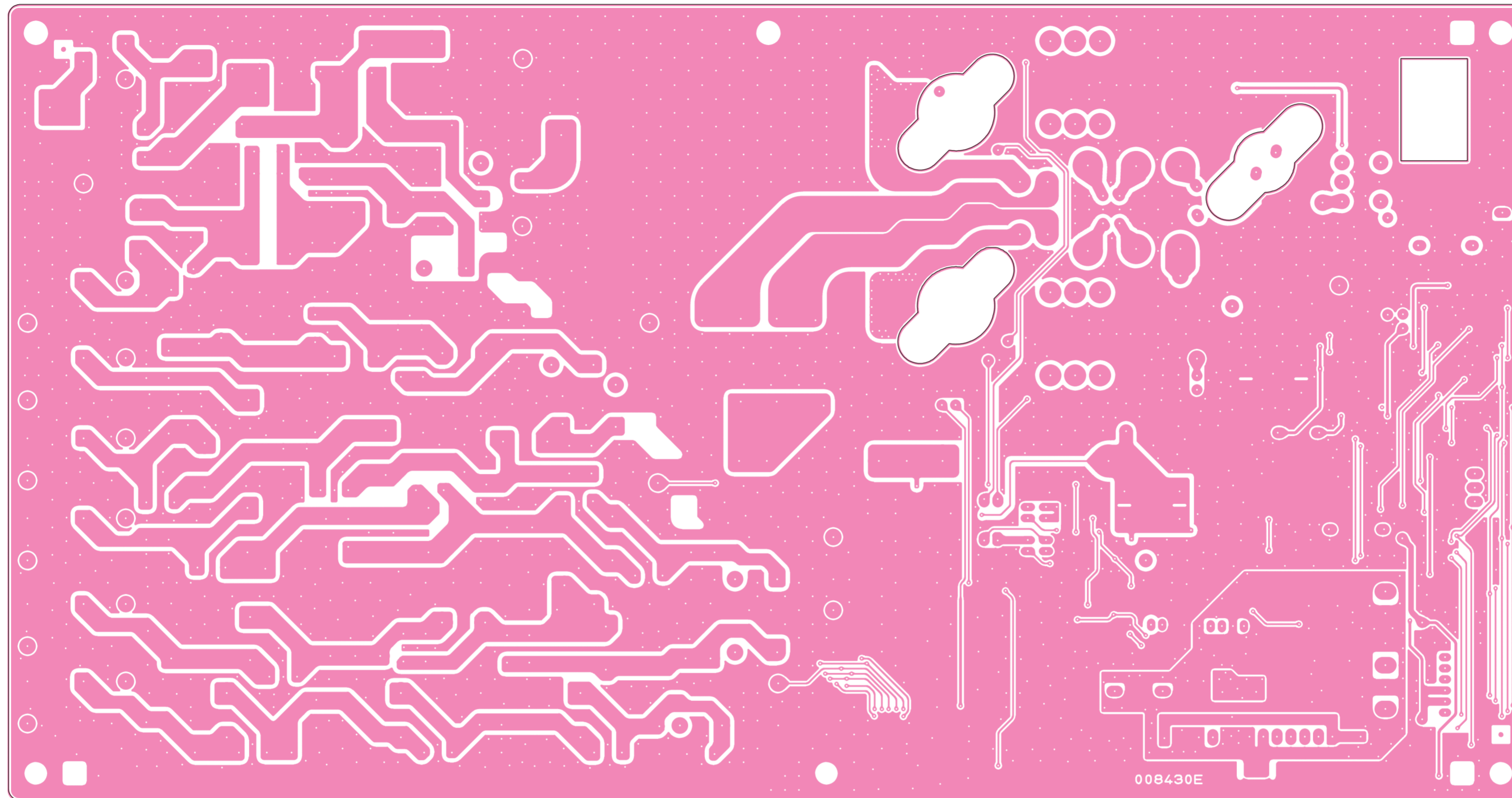
*Note*



Side A







Side B

# PA-B Unit (D, Contest Type)

## Parts List

REF	DESCRIPTION	VALUE	V/W	TOL.	MFR'S DESIG	VXSTD P/N	VERS.	LOT	SIDE	LAY ADR
PCB with Components						CS1855001				
Printed Circuit Board						FR008430D		1-		
						FR008430E		47-		
C 7501	CHIP CAP.	0.047uF	16V	B	GRM39B473K16PT	K22124804		1-	A	A3
C 7501	CHIP CAP.	0.047uF	25V	B	GRM188B11E473KA01D	K22144811		27-	A	A3
C 7502	CHIP CAP.	0.001uF	25V	CH	GRM1882C1E102JA01D	K22144204		1-	A	A2
C 7503	CHIP CAP.	0.047uF	25V	F	GRM39F473Z25PT	K22145002		1-	A	A2
C 7503	CHIP CAP.	0.047uF	50V	F	GRM188F11H473ZA01D	K22175001		27-	A	A2
C 7504	CHIP CAP.	0.047uF	16V	B	GRM39B473K16PT	K22124804		1-	A	A3
C 7504	CHIP CAP.	0.047uF	25V	B	GRM188B11E473KA01D	K22144811		27-	A	A3
C 7505	CHIP CAP.	0.01uF	50V	B	GRM188B11H103KA01D	K22174823		1-	A	A3
C 7506	CHIP CAP.	0.01uF	50V	B	GRM188B11H103KA01D	K22174823		1-	A	A3
C 7507	CHIP CAP.	10pF	50V	CH	GRM1882C1H100JA01D	K22174211		1-	A	A3
C 7508	CHIP CAP.	0.047uF	16V	B	GRM39B473K16PT	K22124804		1-	A	B3
C 7508	CHIP CAP.	0.047uF	25V	B	GRM188B11E473KA01D	K22144811		27-	A	B3
C 7509	CHIP CAP.	10pF	50V	CH	GRM1882C1H100JA01D	K22174211		1-	A	A3
C 7510	CHIP CAP.	10pF	50V	CH	GRM1882C1H100JA01D	K22174211		1-	A	A3
C 7511	CHIP CAP.	0.047uF	25V	F	GRM39F473Z25PT	K22145002		1-	A	A2
C 7511	CHIP CAP.	0.047uF	50V	F	GRM188F11H473ZA01D	K22175001		27-	A	A2
C 7512	CHIP CAP.	0.001uF	25V	CH	GRM1882C1E102JA01D	K22144204		1-	A	A2
C 7514	CHIP CAP.	0.01uF	50V	B	GRM188B11H103JA01D	K22174824		1-	A	A2
C 7515	CHIP CAP.	0.1uF	16V	B	GRM188B11C104KA01D	K22124805		1-	A	A2
C 7516	CHIP CAP.	0.1uF	16V	B	GRM188B11C104KA01D	K22124805		1-	A	A2
C 7517	CHIP CAP.	0.047uF	25V	F	GRM39F473Z25PT	K22145002		1-	A	A2
C 7517	CHIP CAP.	0.047uF	50V	F	GRM188F11H473ZA01D	K22175001		27-	A	A2
C 7518	CHIP CAP.	0.047uF	25V	F	GRM39F473Z25PT	K22145002		1-	A	A2
C 7518	CHIP CAP.	0.047uF	50V	F	GRM188F11H473ZA01D	K22175001		27-	A	A2
C 7519	CHIP CAP.	0.01uF	50V	B	GRM188B11H103KA01D	K22174823		1-	A	D5
C 7520	CHIP CAP.	10pF	50V	CH	GRM1882C1H100JA01D	K22174211		1-	A	D5
C 7521	CHIP CAP.	10pF	50V	CH	GRM1882C1H100JA01D	K22174211		1-	A	D5
C 7522	CHIP CAP.	10pF	50V	CH	GRM1882C1H100JA01D	K22174211		1-	A	D5
C 7523	CHIP CAP.	0.001uF	25V	CH	GRM1882C1E102JA01D	K22144204		1-	A	A2
C 7524	CHIP CAP.	0.001uF	25V	CH	GRM1882C1E102JA01D	K22144204		1-	A	A2
C 7526	CHIP CAP.	0.1uF	50V	B	GRM42-6B104K50PT	K22171820		1-	A	A2
C 7527	CHIP CAP.	0.01uF	50V	B	GRM188B11H103KA01D	K22174823		1-1	A	A3
C 7527	CHIP CAP.	0.01uF	50V	B	GRM188B11H103KA01D	K22174823		4-	A	A3
C 7528	CHIP CAP.	0.01uF	50V	B	GRM188B11H103JA01D	K22174824		1-	A	A2
C 7529	AL.ELECTRO.CAP.	10uF	35V		ECEV1VA100WR	K48160004		1-	A	A2
C 7529	AL.ELECTRO.CAP.	10uF	35V		EEE1VA100WR	K48160006		9-	A	A2
C 7530	CHIP CAP.	0.047uF	50V	B	GRM21BB11H473KA01L	K22170823		1-	A	A2
C 7531	CHIP CAP.	0.047uF	50V	B	GRM21BB11H473KA01L	K22170823		1-	A	A2
C 7532	CHIP CAP.	0.047uF	25V	F	GRM39F473Z25PT	K22145002		1-	A	B2
C 7532	CHIP CAP.	0.047uF	50V	F	GRM188F11H473ZA01D	K22175001		27-	A	B2
C 7533	CHIP CAP.	0.01uF	50V	B	GRM188B11H103JA01D	K22174824		1	A	B1
C 7533	CHIP CAP.	0.01uF	250V	X7R	GRM21BR72E103KW03L	K22240801		2-	A	B1
C 7534	CHIP CAP.	0.047uF	25V	F	GRM39F473Z25PT	K22145002		1-	A	B2
C 7534	CHIP CAP.	0.047uF	50V	F	GRM188F11H473ZA01D	K22175001		27-	A	B2
C 7535	CHIP CAP.	0.1uF	16V	B	GRM188B11C104KA01D	K22124805		1-	A	B2
C 7536	CHIP CAP.	0.01uF	50V	B	GRM188B11H103KA01D	K22174823		1-	A	C4
C 7537	CHIP CAP.	0.01uF	50V	B	GRM188B11H103KA01D	K22174823		1-	A	C4
C 7538	CHIP CAP.	0.01uF	50V	B	GRM188B11H103JA01D	K22174824		1-	A	B2
C 7539	CHIP CAP.	0.01uF	50V	B	GRM188B11H103JA01D	K22174824		1-	A	B2
C 7540	AL.ELECTRO.CAP.	100uF	160V		RE3-160V101MI6#	K40229001		1-	A	B2
C 7541	CHIP CAP.	0.001uF	100V	CH	GRM31M2C2A102JZ01L	K22201202		1-	A	B2
C 7542	CHIP CAP.	0.001uF	100V	CH	GRM31M2C2A102JZ01L	K22201202		1-	A	B3
C 7543	CERAMIC CAP.	220pF	500V	SL	RT-HM95SKSL221J	K26270061		1-	A	C2
C 7543	CERAMIC CAP.	150pF	500V	SL	RT-HM74SKSL151J	K26270059		46-	A	C2
C 7544	CHIP CAP.	0.01uF	250V	X7R	GRM21BR72E103KW03L	K22240801		1-	A	B2
C 7545	CHIP CAP.	0.01uF	250V	X7R	GRM21BR72E103KW03L	K22240801		1-	A	B3
C 7546	CHIP CAP.	0.01uF	250V	X7R	GRM21BR72E103KW03L	K22240801		1-	A	C1
C 7547	CHIP CAP.	0.01uF	250V	X7R	GRM21BR72E103KW03L	K22240801		1-	A	C2
C 7549	CHIP CAP.	0.1uF	25V	F	GRM188F11E104ZA01D	K22145001		1-	A	D1
C 7550	CERAMIC CAP.	0.0068uF	200V	SL	GRM55R1X2D682JV01L	K22236101		1-	A	C1
C 7551	CERAMIC CAP.	0.0068uF	200V	SL	GRM55R1X2D682JV01L	K22236101		1-	A	C2
C 7552	CHIP CAP.	0.047uF	25V	F	GRM39F473Z25PT	K22145002		1-	A	D5
C 7552	CHIP CAP.	0.047uF	50V	F	GRM188F11H473ZA01D	K22175001		27-	A	D5
C 7553	CHIP CAP.	0.1uF	25V	F	GRM188F11E104ZA01D	K22145001		1-	A	B4
C 7554	CHIP CAP.	0.047uF	25V	F	GRM39F473Z25PT	K22145002		1-	A	B4
C 7554	CHIP CAP.	0.047uF	50V	F	GRM188F11H473ZA01D	K22175001		27-	A	B4
C 7555	CHIP CAP.	0.1uF	25V	F	GRM188F11E104ZA01D	K22145001		1-	A	D3
C 7556	CHIP CAP.	0.047uF	25V	F	GRM39F473Z25PT	K22145002		1-	A	B4
C 7556	CHIP CAP.	0.047uF	50V	F	GRM188F11H473ZA01D	K22175001		27-	A	B4
C 7557	CHIP CAP.	0.1uF	25V	F	GRM188F11E104ZA01D	K22145001		1-	A	D4

# PA-B Unit (D, Contest Type)

## Parts List

REF	DESCRIPTION	VALUE	V/W	TOL.	MFR'S DESIG	VXSTD P/N	VERS.	LOT	SIDE	LAY ADR
C 7558	CHIP CAP.	0.1uF	25V	F	GRM188F11E104ZA01D	K22145001		1-	A	D4
C 7559	CHIP CAP.	0.01uF	250V	X7R	GRM21BR72E103KW03L	K22240801		1-	A	D1
C 7560	CHIP CAP.	0.01uF	250V	X7R	GRM21BR72E103KW03L	K22240801		1-	A	D3
C 7561	AL.ELECTRO.CAP.	10uF	35V		ECEV1VA100WR	K48160004		1-	A	B3
C 7561	AL.ELECTRO.CAP.	10uF	35V		EEE1VA100WR	K48160006		9-	A	B3
C 7562	CHIP CAP.	0.01uF	50V	B	GRM188B11H103JA01D	K22174824		1-	A	B3
C 7563	AL.ELECTRO.CAP.	10uF	35V		ECEV1VA100WR	K48160004		1-	A	B3
C 7563	AL.ELECTRO.CAP.	10uF	35V		EEE1VA100WR	K48160006		9-	A	B3
C 7564	CHIP CAP.	0.01uF	250V	X7R	GRM21BR72E103KW03L	K22240801		1-	A	C1
C 7565	CHIP CAP.	0.01uF	250V	X7R	GRM21BR72E103KW03L	K22240801		1-	A	C2
C 7566	AL.ELECTRO.CAP.	100uF	160V		RE3-160V101MI6#	K40229001		1-	A	C3
C 7569	AL.ELECTRO.CAP.	100uF	160V		RE3-160V101MI6#	K40229001		1-	A	E3
C 7570	AL.ELECTRO.CAP.	10uF	35V		ECEV1VA100WR	K48160004		1-	A	B3
C 7570	AL.ELECTRO.CAP.	10uF	35V		EEE1VA100WR	K48160006		9-	A	B3
C 7571	CHIP CAP.	0.01uF	250V	X7R	GRM21BR72E103KW03L	K22240801		1-	A	B3
C 7573	FILM CAP.	0.1uF	100V		ECQ-B1104JF	K50205104		1-	A	E3
C 7573	FILM CAP.	0.1uF	100V		ECQV1104JM	K52200002		46-	A	E3
C 7574	CHIP CAP.	0.01uF	250V	X7R	GRM21BR72E103KW03L	K22240801		1-	A	E3
C 7575	CHIP CAP.	0.047uF	25V	F	GRM39F473Z25PT	K22145002		1-	A	B4
C 7575	CHIP CAP.	0.047uF	50V	F	GRM188F11H473ZA01D	K22175001		27-	A	B4
C 7576	CHIP CAP.	0.01uF	250V	X7R	GRM21BR72E103KW03L	K22240801		1-	A	B3
C 7577	CHIP CAP.	0.01uF	250V	X7R	GRM21BR72E103KW03L	K22240801		1-	A	B3
C 7578	CHIP CAP.	0.001uF	25V	CH	GRM1882C1E102JA01D	K22144204		1-	A	C4
C 7579	CHIP CAP.	0.01uF	250V	X7R	GRM21BR72E103KW03L	K22240801		1-	A	E3
C 7580	CHIP CAP.	0.01uF	50V	B	GRM188B11H103JA01D	K22174824		1-	A	B4
C 7581	CHIP CAP.	0.001uF	100V	CH	GRM31M2C2A102JZ01L	K22201202		1-	A	B3
C 7582	CHIP CAP.	0.047uF	25V	F	GRM39F473Z25PT	K22145002		1-	A	B4
C 7582	CHIP CAP.	0.047uF	50V	F	GRM188F11H473ZA01D	K22175001		27-	A	B4
C 7583	CERAMIC CAP.	100pF	500V	SL	RT-HM60SKSL101J	K26270057		1-	A	B2
C 7584	FILM CAP.	0.1uF	100V		ECQ-B1104JF	K50205104		1-	A	E3
C 7584	FILM CAP.	0.1uF	100V		ECQV1104JM	K52200002		46-	A	E3
C 7585	CHIP CAP.	0.01uF	250V	X7R	GRM21BR72E103KW03L	K22240801		1-	A	D3
C 7586	CHIP CAP.	0.01uF	250V	X7R	GRM21BR72E103KW03L	K22240801		1-	A	D3
C 7587	CHIP CAP.	0.01uF	250V	X7R	GRM21BR72E103KW03L	K22240801		1-	A	C4
C 7588	FILM CAP.	0.1uF	100V		ECQ-B1104JF	K50205104		1-	A	C4
C 7588	FILM CAP.	0.1uF	100V		ECQV1104JM	K52200002		46-	A	C4
C 7589	CHIP CAP.	0.047uF	16V	B	GRM39B473K16PT	K22124804		1-	A	D4
C 7589	CHIP CAP.	0.047uF	25V	B	GRM188B11E473KA01D	K22144811		27-	A	D4
C 7590	CHIP CAP.	0.047uF	25V	F	GRM39F473Z25PT	K22145002		1-	A	E4
C 7590	CHIP CAP.	0.047uF	50V	F	GRM188F11H473ZA01D	K22175001		27-	A	E4
C 7591	CHIP CAP.	0.047uF	25V	F	GRM39F473Z25PT	K22145002		1-	A	F2
C 7591	CHIP CAP.	0.047uF	50V	F	GRM188F11H473ZA01D	K22175001		27-	A	F2
C 7592	CHIP CAP.	0.047uF	25V	F	GRM39F473Z25PT	K22145002		1-	A	E4
C 7592	CHIP CAP.	0.047uF	50V	F	GRM188F11H473ZA01D	K22175001		27-	A	E4
C 7593	CHIP CAP.	0.047uF	25V	F	GRM39F473Z25PT	K22145002		1-	A	F3
C 7593	CHIP CAP.	0.047uF	50V	F	GRM188F11H473ZA01D	K22175001		27-	A	F3
C 7594	CHIP CAP.	0.047uF	25V	F	GRM39F473Z25PT	K22145002		1-	A	E5
C 7594	CHIP CAP.	0.047uF	50V	F	GRM188F11H473ZA01D	K22175001		27-	A	E5
C 7595	CHIP CAP.	0.047uF	25V	F	GRM39F473Z25PT	K22145002		1-	A	F2
C 7595	CHIP CAP.	0.047uF	50V	F	GRM188F11H473ZA01D	K22175001		27-	A	F2
C 7596	CHIP CAP.	0.047uF	25V	F	GRM39F473Z25PT	K22145002		1-	A	G1
C 7596	CHIP CAP.	0.047uF	50V	F	GRM188F11H473ZA01D	K22175001		27-	A	G1
C 7597	CHIP CAP.	0.047uF	16V	B	GRM39B473K16PT	K22124804		1-	A	D4
C 7597	CHIP CAP.	0.047uF	25V	B	GRM188B11E473KA01D	K22144811		27-	A	D4
C 7598	CHIP CAP.	0.01uF	50V	B	GRM188B11H103KA01D	K22174823		1-	A	B4
C 7599	CERAMIC CAP.	220pF	500V	SL	RT-HM95SKSL221J	K26270061		1-	A	G1
C 7600	CHIP CAP.	0.001uF	25V	CH	GRM1882C1E102JA01D	K22144204		1-	A	B4
C 7601	CERAMIC CAP.	560pF	500V	SL	HM15SJSLS561J	K00279025		1-	A	E4
C 7602	CERAMIC CAP.	120pF	500V	SL	RT-HM74SKSL121J	K26270058		1-	A	G1
C 7603	CERAMIC CAP.	120pF	500V	SL	RT-HM74SKSL121J	K26270058		1-	A	E4
C 7604	CERAMIC CAP.	22pF	500V	CH	RT-HM60SKCH220J	K26270155		1-	A	F3
C 7606	CERAMIC CAP.	18pF	500V	CH	RT-HM60SKCH180J	K26270154		1-	A	G2
C 7607	CERAMIC CAP.	560pF	500V	SL	HM15SJSLS561J	K00279025		1-	A	F4
C 7608	CERAMIC CAP.	120pF	500V	SL	RT-HM74SKSL121J	K26270058		1-	A	F4
C 7609	CERAMIC CAP.	39pF	500V	CH	RT-HM74SKCH390J	K26270158		1-	A	F5
C 7611	CERAMIC CAP.	18pF	500V	CH	RT-HM60SKCH180J	K26270154		1-	A	G1
C 7612	CHIP CAP.	0.01uF	50V	B	GRM188B11H103KA01D	K22174823		1-	A	B5
C 7613	CERAMIC CAP.	330pF	500V	SL	RT-HM11SKSL331J	K26270063		1-	A	G4
C 7614	CERAMIC CAP.	150pF	500V	SL	RT-HM74SKSL151J	K26270059		1-	A	G4
C 7615	CERAMIC CAP.	330pF	500V	SL	RT-HM11SKSL331J	K26270063		1-	A	H2
C 7616	CERAMIC CAP.	82pF	500V	CH	RT-HM95SKCH820J	K26270162		1-	A	H2
C 7617	CERAMIC CAP.	220pF	500V	SL	RT-HM95SKSL221J	K26270061		1-	A	F4
C 7618	CERAMIC CAP.	68pF	500V	CH	RT-HM95SKCH680J	K26270161		1-15	A	F3

# PA-B Unit (D, Contest Type)

## Parts List

REF	DESCRIPTION	VALUE	V/W	TOL.	MFR'S DESIG	VXSTD P/N	VERS.	LOT	SIDE	LAY ADR
C 7618	CERAMIC CAP.	68pF	500V	CH	RT-HM95SKCH680J	K26270161		16-	A	F3
C 7619	CERAMIC CAP.	100pF	500V	SL	RT-HM60SKSL101J	K26270057		1-	A	F3
C 7620	CERAMIC CAP.	47pF	500V	CH	RT-HM74SKCH470J	K26270159		1-	A	F3
C 7621	CERAMIC CAP.	47pF	500V	CH	RT-HM74SKCH470J	K26270159		1-	A	F5
C 7622	CERAMIC CAP.	18pF	500V	CH	RT-HM60SKCH180J	K26270154		1-	A	G3
C 7623	CERAMIC CAP.	22pF	500V	CH	RT-HM60SKCH220J	K26270155		1-	A	G3
C 7624	CERAMIC CAP.	3pF	500V	CJ	RT-HM60SKCJ030C	K26270144		1-	A	G1
C 7625	CHIP CAP.	0.001uF	25V	CH	GRM1882C1E102JA01D	K22144204		1-	A	B5
C 7626	AL.ELECTRO.CAP.	82uF	16V		APXA160ARA820MH70G	K48120022		1-	A	B5
C 7627	CERAMIC CAP.	0.001uF	500V	SL	HM17SJSJL102J	K00279028		1-	A	F4
C 7628	CERAMIC CAP.	330pF	500V	SL	RT-HM11SKSL331J	K26270063		1-	A	G4
C 7629	CERAMIC CAP.	120pF	500V	SL	RT-HM74SKSL121J	K26270058		1-	A	G5
C 7630	CERAMIC CAP.	120pF	500V	SL	RT-HM74SKSL121J	K26270058		1-	A	G2
C 7631	CERAMIC CAP.	39pF	500V	CH	RT-HM74SKCH390J	K26270158		1-	A	H1
C 7632	CHIP CAP.	0.001uF	25V	CH	GRM1882C1E102JA01D	K22144204		1-	A	D4
C 7633	CHIP CAP.	0.1uF	16V	B	GRM188B11C104KA01D	K22144205		1-	A	D3
C 7634	CERAMIC CAP.	470pF	500V	SL	HM13SJSJL471J	K00279024		1-	A	H2
C 7635	CERAMIC CAP.	150pF	500V	SL	RT-HM74SKSL151J	K26270059		1-	A	G3
C 7636	CERAMIC CAP.	39pF	500V	CH	RT-HM74SKCH390J	K26270158		1-	A	G2
C 7637	CERAMIC CAP.	0.001uF	500V	SL	HM17SJSJL102J	K00279028		1-	A	F4
C 7638	CERAMIC CAP.	390pF	500V	SL	RT-HM11SKSL391J	K26270064		1-	A	H2
C 7639	CERAMIC CAP.	270pF	500V	SL	RT-HM95SKSL271J	K26270062		1-	A	G4
C 7640	CERAMIC CAP.	150pF	500V	SL	RT-HM74SKSL151J	K26270059		1-	A	G3
C 7641	CERAMIC CAP.	120pF	500V	SL	RT-HM74SKSL121J	K26270058		1-	A	G5
C 7642	CERAMIC CAP.	39pF	500V	CH	RT-HM74SKCH390J	K26270158		1-	A	H1
C 7643	CHIP CAP.	0.01uF	50V	B	GRM188B11H103KA01D	K22174823		1-3		
C 7644	CERAMIC CAP.	150pF	500V	SL	RT-HM74SKSL151J	K26270059		1-	A	G4
C 7645	CERAMIC CAP.	100pF	500V	SL	RT-HM60SKSL101J	K26270057		1-	A	G4
C 7646	CERAMIC CAP.	150pF	500V	SL	RT-HM74SKSL151J	K26270059		1-	A	H2
C 7647	CERAMIC CAP.	47pF	500V	CH	RT-HM74SKCH470J	K26270159		1-	A	H1
C 7648	CERAMIC CAP.	82pF	500V	CH	RT-HM95SKCH820J	K26270162		1-	A	G3
C 7649	CERAMIC CAP.	56pF	500V	CH	RT-HM95SKCH560J	K26270160		1-	A	H4
C 7650	CERAMIC CAP.	68pF	500V	CH	RT-HM95SKCH680J	K26270161		1-	A	H3
C 7651	CERAMIC CAP.	27pF	500V	CH	RT-HM60SKCH270J	K26270156		1-	A	G5
C 7652	CERAMIC CAP.	22pF	500V	CH	RT-HM60SKCH220J	K26270155		1-	A	H2
C 7653	CERAMIC CAP.	6pF	500V	CH	RT-HM60SKCH060D	K26270147		1-	A	H1
C 7654	CHIP CAP.	0.1uF	16V	B	GRM188B11C104KA01D	K22124805		1-	A	D4
C 7655	CERAMIC CAP.	0.001uF	500V	SL	HM17SJSJL102J	K00279028		1-	A	G4
C 7656	CERAMIC CAP.	0.001uF	500V	SL	HM17SJSJL102J	K00279028		1-	A	H2
C 7657	CERAMIC CAP.	680pF	500V	SL	HM15SJSJL681J	K00279026		1-	A	H4
C 7658	CERAMIC CAP.	82pF	500V	CH	RT-HM95SKCH820J	K26270162		1-	A	H3
C 7659	CERAMIC CAP.	82pF	500V	CH	RT-HM95SKCH820J	K26270162		1-	A	H5
C 7660	CERAMIC CAP.	120pF	500V	SL	RT-HM74SKSL121J	K26270058		1-	A	I2
C 7661	CERAMIC CAP.	39pF	500V	CH	RT-HM74SKCH390J	K26270158		1-	A	H1
C 7662	CHIP CAP.	0.01uF	50V	B	GRM188B11H103KA01D	K22174823		1-	A	C5
C 7663	CHIP CAP.	0.01uF	50V	B	GRM188B11H103KA01D	K22174823		1-3		
C 7664	CERAMIC CAP.	820pF	500V	SL	HM17SJSJL821J	K00279027		1-	A	H4
C 7665	CERAMIC CAP.	270pF	500V	SL	RT-HM95SKSL271J	K26270062		1-	A	H3
C 7666	CERAMIC CAP.	180pF	500V	SL	RT-HM95SKSL181J	K26270060		1-	A	H5
C 7667	CERAMIC CAP.	56pF	500V	CH	RT-HM95SKCH560J	K26270160		1-	A	H2
C 7668	CERAMIC CAP.	39pF	500V	CH	RT-HM74SKCH390J	K26270158		1-	A	H1
C 7669	CHIP CAP.	0.01uF	50V	B	GRM188B11H103KA01D	K22174823		1-	A	C5
C 7670	CERAMIC CAP.	820pF	500V	SL	HM17SJSJL821J	K00279027		1-	A	H4
C 7671	CERAMIC CAP.	22pF	500V	CH	RT-HM60SKCH220J	K26270155		1-	A	H4
C 7672	CERAMIC CAP.	22pF	500V	CH	RT-HM60SKCH220J	K26270155		1-	A	I4
C 7673	CERAMIC CAP.	9pF	500V	CH	RT-HM60SKCH090D	K26270150		1-	A	H5
C 7674	CERAMIC CAP.	7pF	500V	CH	RT-HM60SKCH070D	K26270148		1-	A	I3
C 7675	CERAMIC CAP.	18pF	500V	CH	RT-HM60SKCH180J	K26270154		1-	A	I1
C 7676	CERAMIC CAP.	82pF	500V	CH	RT-HM95SKCH820J	K26270162		1-	A	H5
C 7677	CERAMIC CAP.	68pF	500V	CH	RT-HM95SKCH680J	K26270161		1-	A	I2
C 7678	CERAMIC CAP.	47pF	500V	CH	RT-HM74SKCH470J	K26270159		1-	A	H4
C 7679	CHIP CAP.	0.01uF	50V	B	GRM188B11H103KA01D	K22174823		1-	A	A4
C 7680	CERAMIC CAP.	100pF	500V	SL	RT-HM60SKSL101J	K26270057		1-	A	H3
C 7681	CERAMIC CAP.	100pF	500V	SL	RT-HM60SKSL101J	K26270057		1-	A	I5
C 7682	CERAMIC CAP.	39pF	500V	CH	RT-HM74SKCH390J	K26270158		1-	A	I1
C 7683	CERAMIC CAP.	0.001uF	500V	SL	HM17SJSJL102J	K00279028		1-	A	I4
C 7684	CERAMIC CAP.	470pF	500V	SL	HM13SJSJL471J	K00279024		1-	A	I2
C 7685	CERAMIC CAP.	220pF	500V	SL	RT-HM95SKSL221J	K26270061		1-	A	I4
C 7686	CHIP CAP.	0.001uF	25V	CH	GRM1882C1E102JA01D	K22144204		1-3		
C 7687	CERAMIC CAP.	180pF	500V	SL	RT-HM95SKSL181J	K26270060		1-	A	I4
C 7688	CERAMIC CAP.	100pF	500V	SL	RT-HM60SKSL101J	K26270057		1-	A	I3
C 7689	CERAMIC CAP.	47pF	500V	CH	RT-HM74SKCH470J	K26270159		1-	A	I5
C 7690	CERAMIC CAP.	100pF	500V	SL	RT-HM60SKSL101J	K26270057		1-	A	I3

# PA-B Unit (D, Contest Type)

## Parts List

REF	DESCRIPTION	VALUE	V/W	TOL.	MFR'S DESIG	VXSTD P/N	VERS.	LOT	SIDE	LAY ADR
C 7691	CERAMIC CAP.	100pF	500V	SL	RT-HM60SKSL101J	K26270057		1-	A	I2
C 7692	CHIP CAP.	0.01uF	50V	B	GRM188B11H103KA01D	K22174823		1-3		
C 7693	AL.ELECTRO.CAP.	82uF	16V		APXA160ARA820MH70G	K48120022		1-	A	B5
C 7694	CERAMIC CAP.	470pF	500V	SL	HM13SJSJL471J	K00279024		1-	A	I4
C 7695	CHIP CAP.	0.047uF	25V	F	GRM39F473Z25PT	K22145002		1-	A	J4
C 7695	CHIP CAP.	0.047uF	50V	F	GRM188F11H473ZA01D	K22175001		27-	A	J4
C 7696	CHIP CAP.	0.047uF	25V	F	GRM39F473Z25PT	K22145002		1-	A	J3
C 7696	CHIP CAP.	0.047uF	50V	F	GRM188F11H473ZA01D	K22175001		27-	A	J3
C 7697	CHIP CAP.	0.047uF	25V	F	GRM39F473Z25PT	K22145002		1-	A	J4
C 7697	CHIP CAP.	0.047uF	50V	F	GRM188F11H473ZA01D	K22175001		27-	A	J4
C 7698	CHIP CAP.	0.047uF	25V	F	GRM39F473Z25PT	K22145002		1-	A	J3
C 7698	CHIP CAP.	0.047uF	50V	F	GRM188F11H473ZA01D	K22175001		27-	A	J3
C 7699	CHIP CAP.	0.047uF	25V	F	GRM39F473Z25PT	K22145002		1-	A	J5
C 7699	CHIP CAP.	0.047uF	50V	F	GRM188F11H473ZA01D	K22175001		27-	A	J5
C 7700	CHIP CAP.	0.047uF	25V	F	GRM39F473Z25PT	K22145002		1-	A	J3
C 7700	CHIP CAP.	0.047uF	50V	F	GRM188F11H473ZA01D	K22175001		27-	A	J3
C 7701	CHIP CAP.	0.047uF	25V	F	GRM39F473Z25PT	K22145002		1-	A	I2
C 7701	CHIP CAP.	0.047uF	50V	F	GRM188F11H473ZA01D	K22175001		27-	A	I2
C 7710	CHIP CAP.	0.01uF	50V	B	GRM188B11H103KA01D	K22174823		1-	A	C5
C 7711	CHIP CAP.	0.01uF	50V	B	GRM188B11H103KA01D	K22174823		1-	A	B5
C 7712	CHIP CAP.	0.01uF	50V	B	GRM188B11H103KA01D	K22174823		1-	A	A5
C 7713	CHIP CAP.	0.01uF	50V	B	GRM188B11H103KA01D	K22174823		1-	A	A5
C 7714	CHIP CAP.	0.1uF	16V	B	GRM188B11C104KA01D	K22124805		1-	A	A2
C 7715	CHIP CAP.	0.1uF	16V	B	GRM188B11C104KA01D	K22124805		1-	A	A4
C 7716	CHIP CAP.	0.1uF	16V	B	GRM188B11C104KA01D	K22124805		1-	A	A2
C 7717	CHIP CAP.	0.1uF	16V	B	GRM188B11C104KA01D	K22124805		1-	A	B4
C 7718	CHIP CAP.	0.1uF	16V	B	GRM188B11C104KA01D	K22124805		1-	A	A2
C 7719	CHIP CAP.	0.1uF	16V	B	GRM188B11C104KA01D	K22124805		1-	A	A3
C 7720	CHIP CAP.	0.1uF	16V	B	GRM188B11C104KA01D	K22124805		1-	A	A3
C 7721	CHIP CAP.	0.1uF	16V	B	GRM188B11C104KA01D	K22124805		1-	A	A3
C 7722	CHIP CAP.	0.1uF	16V	B	GRM188B11C104KA01D	K22124805		1-	A	A3
C 7723	CHIP CAP.	0.1uF	16V	B	GRM188B11C104KA01D	K22124805		1-	A	A3
C 7724	CHIP CAP.	0.1uF	16V	B	GRM188B11C104KA01D	K22124805		1-	A	A3
C 7725	CHIP CAP.	0.1uF	16V	B	GRM188B11C104KA01D	K22124805		1-	A	A3
C 7726	CERAMIC CAP.	390pF	500V	SL	RT-HM11SKSL391J	K26270064		1-	A	G4
C 7727	CHIP CAP.	0.01uF	50V	B	GRM188B11H103KA01D	K22174823		1-	A	B4
C 7728	CHIP CAP.	0.001uF	25V	CH	GRM1882C1E102JA01D	K22144204		1-	A	B4
C 7729	CHIP CAP.	0.001uF	25V	CH	GRM1882C1E102JA01D	K22144204		1-	A	B4
C 7730	AL.ELECTRO.CAP.	82uF	16V		APXA160ARA820MH70G	K48120022		1-	A	B4
C 7731	AL.ELECTRO.CAP.	1uF	50V		ECEV1HS010SR	K48170001		1-3		
C 7732	CHIP CAP.	0.047uF	100V	X7R	GRM31MR72A473KA01L	K22201801		2-	A	B2
C 7733	CHIP CAP.	0.01uF	50V	B	GRM188B11H103KA01D	K22174823		4-	A	D1
C 7734	CHIP CAP.	0.01uF	50V	B	GRM188B11H103KA01D	K22174823		4-	A	D3
C 7745	CHIP CAP.	0.01uF	50V	B	GRM188B11H103KA01D	K22174823		4-	A	C4
C 7746	CERAMIC CAP.	0.01uF	16V	Y	EP050Y103N-A	K28129001		3		
C 7747	CERAMIC CAP.	0.01uF	16V	Y	EP050Y103N-A	K28129001		3		
D 7501	DIODE				GMA01U-BT	G2060023		1-	A	D3
D 7502	DIODE				GMA01U-BT	G2060023		1-	A	D3
D 7503	DIODE				HZM22NB1 TR-E	G2071052		1-	A	B3
D 7504	DIODE				GMA01U-BT	G2060023		1-	A	B3
D 7505	DIODE				BAS316	G2070716		1-	A	B4
D 7506	DIODE				10EDB10	G2090781		3-	A	D1
D 7507	DIODE				10EDB10	G2090781		3-	A	D3
F 7501	FUSE	15A			FGBO 250V 15A	Q0000121		1-		
F 7501	FUSE	15A			61NR150H 250V 15A	Q0000158		38-		
FB7501	FERRITE BEADS				BLM18BD182SN1D	L1690602		4-	A	C4
FB7502	FERRITE BEADS				BLM18BD182SN1D	L1690602		4-	A	C4
FH7501	FUSE CLIP				PFC6000-0202	P2000050		1-	A	D3
J 7501	CONNECTOR				TMP-J01X-A2	P1090255		1-	A	A2
J 7501	CONNECTOR				TMP-S01X-C1	P1091254		5-	A	A2
J 7502	CONNECTOR				SC25-03WS	P0090622		1	A	A3
J 7502	CONNECTOR				B3B-XH-A(LF)(SN)	P0091413		2-	A	A3
J 7503	CONNECTOR				IMSA-9202B-1-02-T	P0091174		1-	A	A2
J 7504	CONNECTOR				30FLT-SM2-TB(LF)(SN)(M)	P1091142		1-	A	A4
J 7505	CONNECTOR				IMSA-9202B-1-02-T	P0091174		1-	A	C3
J 7506	TERMINAL				Y106	S5000179		1-	A	C4
J 7507	TERMINAL				Y106	S5000179		1-	A	B3
J 7508	CONNECTOR				SB20-02WS	P0090609		1-	A	C4
J 7509	CONNECTOR				B4P-VH(LF)(SN)	P0091060		1-	A	A5
J 7510	CONNECTOR				SC25-07WS	P0090626		1-	A	B5
J 7511	CONNECTOR				SC25-02WS	P0090621		1-	A	B5
J 7512	CONNECTOR				SC25-02WS	P0090621		1-	A	C5
J 7513	CONNECTOR				SC25-02WS	P0090621		1-	A	C5

# PA-B Unit (D, Contest Type)

## Parts List

REF	DESCRIPTION	VALUE	V/W	TOL.	MFR'S DESIG	VXSTD P/N	VERS.	LOT	SIDE	LAY ADR
J 7514	CONNECTOR				SC25-02WS	P0090621		1-	A	C5
J 7515	CONNECTOR				B2P-VH(LF)(SN)	P0091266		1-	A	A4
J 7516	CONNECTOR				SB20-10WS	P0090617		1-3		
J 7517	CONNECTOR				S-Q3063#01	P1090295		1-	A	I1
J 7517	CONNECTOR				CTP-106E	P1091397		49-	A	I1
J 7518	CONNECTOR				SB20-06WS	P0090613		1-	A	A4
J 7519	CONNECTOR				SB20-05WS	P0090612		1-	A	B4
JP7500	WIRE ASSY				GRN 100 (3)/(3)	T51510012		4-		
JP7501	WIRE ASSY				GRN 100 (3)/(3)	T51510012		4-		
JP7502	WIRE ASSY				GRN 20 2/2	T50502000		3		
JP7503	WIRE ASSY				GRN 65 2/2	T50506500		3		
JP7504	WIRE ASSY				GRN 35 2/2	T50503500		46		
L 7501	M.RFC	1uH			LAL03TA1R0M	L1790083		1-	A	A2
L 7502	RFC A1				43T0.16 4X9CB-20	L1020666A		1-	A	A2
L 7503	RFC WITH BEADS				FB-43-5111	L1020015		1-	A	B2
L 7504	RFC WITH BEADS				FB-43-5111	L1020015		1-3	A	C3
L 7504	RFC WITH BEADS				FB-43-5111	L1020015		46-	A	C3
L 7505	RFC WITH BEADS				3A R15.8X6.4-2	L1020728		1-	A	E3
L 7505	RFC WITH BEADS				3A R15.8X6.4-2	L1020728A		28-	A	E3
L 7506	RFC A1				43T0.16 4X9CB-20	L1020666A		1-	A	A5
L 7507	RFC WITH BEADS				3A R15.8X6.4-2	L1020728		1-	A	E3
L 7507	RFC WITH BEADS				3A R15.8X6.4-2	L1020728A		28-	A	E3
L 7508	TOROIDAL COIL	3.91uH			#223201	L0022898		1-	A	F5
L 7509	TOROIDAL COIL	1.21uH			1.21U T80-2	L0022897A		1-	A	G2
L 7510	TOROIDAL COIL	0.85uH			#223195	L0022892		1-	A	F4
L 7511	TOROIDAL COIL	0.42uH			#223191	L0022888		1-	A	F3
L 7512	TOROIDAL COIL	0.39uH			#223190	L0022887		1-	A	F5
L 7513	TOROIDAL COIL	0.25uH			0.25U T80-6	L0022884A		1-	A	G3
L 7514	COIL A1				3.5T13.0D2.0UEW R	L0022725		1-	A	G1
L 7515	TOROIDAL COIL	5.16uH			#223203	L0022900		1-	A	G4
L 7516	TOROIDAL COIL	1.88uH			1.88U T80-2	L0022896A		1-	A	H2
L 7517	TOROIDAL COIL	1.31uH			#223196	L0022893		1-	A	G4
L 7518	TOROIDAL COIL	0.66uH			0.66U T-80-2	L0021984		1-	A	G3
L 7519	TOROIDAL COIL	0.52uH			#223193	L0022890		1-	A	G5
L 7520	TOROIDAL COIL	0.34uH			0.34U T80-6	L0022886A		1-	A	G3
L 7521	COIL A1				3.5T13.0D2.0UEW R	L0022725		1-	A	H1
L 7522	TOROIDAL COIL	0.7uH			#223194	L0022891		1-	A	H3
L 7523	TOROIDAL COIL	0.5uH			#223192	L0022889		1-	A	H5
L 7524	TOROIDAL COIL	0.34uH			0.34U T80-6	L0022886A		1-	A	H3
L 7525	COIL A1				2.5T14.0D2.0UEW R	L0022724		1-	A	I1
L 7526	TOROIDAL COIL	5.04uH			#223202	L0022899		1-	A	H4
L 7527	TOROIDAL COIL	1.99uH			1.99U T80-2	L0022895A		1-	A	I2
L 7528	TOROIDAL COIL	1.39uH			#223197	L0022894		1-	A	H4
L 7529	M.RFC	1uH			LAL03TA1R0M	L1790083		1-	A	A4
P 7501	CONNECTOR				IMSA-9206H-T	P1090988		1-		
P 7502	CONNECTOR				IMSA-9206H-T	P1090988		1-		
Q 7501	IC				M5223AFP 600C	G1092955		1-	A	B3
Q 7502	IC				M5223AFP 600C	G1092955		1-	A	A2
Q 7503	IC				M5223AFP 600C	G1092955		1-	A	A3
Q 7507	IC				BU2507FV-E2	G1093773		1-	A	A3
Q 7508	FET				RD06HHF1-01	G3090145		1-	A	A1
Q 7509	IC				BU4094BCFV-E2	G1093527		1-	A	D5
Q 7511	IC				M5223AFP 600C	G1092955		1-	A	C4
Q 7513	IC				TD62783AFNG(5.S.EL)	G1092700		1-	A	D5
Q 7514	FET				SD2918	G3090147		1-	A	B1
Q 7515	FET				SD2931-10	G3090146		1-	A	D1
Q 7516	FET				SD2931-10	G3090146		1-	A	D2
Q 7517	IC				M5218AFP-600C	G1091607		1-	A	D4
Q 7518	TRANSISTOR				2SD2403GY-T1	G3424038Y		1-	A	B3
Q 7519	IC				PQ09TZ1U	G1092599		1-	A	B3
Q 7521	TRANSISTOR				DTC144EE TL	G3070075		1-	A	B4
Q 7522	FET				2SJ506STR-E	G4070014		1-	A	B5
Q 7522	FET				2SJ387STL	G3703878		4-	A	B5
Q 7524	IC				LM19CIZ	G1094150		1-	A	D3
Q 7525	IC				BU4094BCFV-E2	G1093527		1-3		
Q 7526	IC				CD4051BPWR	G1094136		1-3		
Q 7527	TRANSISTOR				DTD123YK T146	G3070157		1-	A	A3
Q 7528	TRANSISTOR				DTD123YK T146	G3070157		1-	A	A3
Q 7529	TRANSISTOR				DTD123YK T146	G3070157		1-	A	A4
Q 7530	TRANSISTOR				DTD123YK T146	G3070157		1-	A	B4
Q 7531	TRANSISTOR				DTA144EE TL	G3070074		1-	A	B4
Q 7532	TRANSISTOR				DTC144EE TL	G3070075		1-	A	B4
Q 7533	FET				2SJ506STR-E	G4070014		1-	A	B4

# PA-B Unit (D, Contest Type)

## Parts List

REF	DESCRIPTION	VALUE	V/W	TOL.	MFR'S DESIG	VXSTD P/N	VERS.	LOT	SIDE	LAY ADR
Q 7534	IC				PST597INR	G1093857		1-	A	B4
R 7505	CHIPRES.	0	1/16W	5%	RMC1/16 000JATP	J24185000		1-	A	A3
R 7506	CHIPRES.	10	1/16W	5%	RMC1/16 100JATP	J24185100		1-	A	A3
R 7510	CHIPRES.	270	1/16W	5%	RMC1/16 271JATP	J24185271		1-	A	A2
R 7511	CHIPRES.	3.9k	1/16W	5%	RMC1/16 392JATP	J24185392		1-	A	B3
R 7512	CHIPRES.	100k	1/16W	5%	RMC1/16 104JATP	J24185104		1-	A	B3
R 7513	CHIPRES.	18	1/16W	5%	RMC1/16 180JATP	J24185180		1-	A	A2
R 7514	CHIPRES.	100k	1/16W	5%	RMC1/16 104JATP	J24185104		1-	A	B3
R 7515	CHIPRES.	220	1/16W	5%	RMC1/16 221JATP	J24185221		1-	A	A3
R 7516	CHIPRES.	220	1/16W	5%	RMC1/16 221JATP	J24185221		1-	A	A3
R 7517	CHIPRES.	220	1/16W	5%	RMC1/16 221JATP	J24185221		1-	A	A3
R 7518	CHIPRES.	10k	1/16W	5%	RMC1/16 103JATP	J24185103		1-	A	B3
R 7519	CHIPRES.	100k	1/16W	5%	RMC1/16 104JATP	J24185104		1-	A	A3
R 7523	CHIPRES.	270	1/16W	5%	RMC1/16 271JATP	J24185271		1-	A	A2
R 7524	CHIPRES.	100k	1/16W	5%	RMC1/16 104JATP	J24185104		1-	A	A3
R 7527	CHIPRES.	10k	1/16W	5%	RMC1/16 103JATP	J24185103		1-	A	A3
R 7528	CHIPRES.	100	1/4W	5%	RMC1/4 101JATP	J24245101		1-	A	A2
R 7529	CHIPRES.	1k	1/16W	5%	RMC1/16 102JATP	J24185102		1-	A	A2
R 7530	CHIPRES.	2.2k	1/10W	5%	RMC1/10T 222J	J24205222		1-	A	A2
R 7531	CHIPRES.	100	1/16W	5%	RMC1/16 101JATP	J24185101		1-	A	D5
R 7532	CHIPRES.	330	1/4W	5%	RMC1/4 331JATP	J24245331		1-	A	A2
R 7534	CHIPRES.	220	1/16W	5%	RMC1/16 221JATP	J24185221		1-	A	D5
R 7535	CHIPRES.	220	1/16W	5%	RMC1/16 221JATP	J24185221		1-	A	D5
R 7536	CHIPRES.	220	1/16W	5%	RMC1/16 221JATP	J24185221		1-	A	D5
R 7537	CHIPRES.	0	1/16W	5%	RMC1/16 000JATP	J24185000		1-	A	C4
R 7538	CHIPRES.	0	1/16W	5%	RMC1/16 000JATP	J24185000		1-	A	C4
R 7541	CHIPRES.	100k	1/16W	5%	RMC1/16 104JATP	J24185104		1-	A	C4
R 7542	CHIPRES.	100k	1/16W	5%	RMC1/16 104JATP	J24185104		1-	A	C4
R 7543	CHIPRES.	470	1/4W	5%	RMC1/4 471JATP	J24245471		1-	A	A2
R 7544	CHIPRES.	2.7k	1/16W	5%	RMC1/16 272JATP	J24185272		1-2	A	C4
R 7545	CHIPRES.	2.7k	1/16W	5%	RMC1/16 272JATP	J24185272		1-2	A	C4
R 7546	CHIPRES.	100k	1/16W	5%	RMC1/16 104JATP	J24185104		1-	A	C4
R 7547	CHIPRES.	100k	1/16W	5%	RMC1/16 104JATP	J24185104		1-	A	C4
R 7548	CHIPRES.	100k	1/16W	5%	RMC1/16 104JATP	J24185104		1-	A	C4
R 7549	CHIPRES.	100k	1/16W	5%	RMC1/16 104JATP	J24185104		1-	A	C4
R 7550	CHIPRES.	10k	1/16W	5%	RMC1/16 103JATP	J24185103		1-	A	C4
R 7551	CHIPRES.	10k	1/16W	5%	RMC1/16 103JATP	J24185103		1-	A	C4
R 7552	CHIPRES.	3.3k	1/10W	5%	RMC1/10T 332J	J24205332		1-	A	B2
R 7553	CHIPRES.	100k	1/16W	5%	RMC1/16 104JATP	J24185104		1-	A	C4
R 7554	CHIPRES.	100k	1/16W	5%	RMC1/16 104JATP	J24185104		1-	A	C4
R 7555	CHIPRES.	470	1W	5%	RMC1 471JTE	J24305471		1-	A	B1
R 7556	CHIPRES.	1k	1/16W	5%	RMC1/16 102JATP	J24185102		1-	A	B2
R 7557	CHIPRES.	10k	1/16W	5%	RMC1/16 103JATP	J24185103		1-	A	C4
R 7558	CHIPRES.	10k	1/16W	5%	RMC1/16 103JATP	J24185103		1-	A	C4
R 7559	CHIPRES.	0	1/16W	5%	RMC1/16 000JATP	J24185000		1-	A	A3
R 7560	CHIPRES.	4.7k	1/10W	5%	RMC1/10T 472J	J24205472		1-	A	C4
R 7561	CHIPRES.	10k	1/16W	5%	RMC1/16 103JATP	J24185103		1-	A	D1
R 7562	METAL FILM RES.	3.3	2W	5%	ERG-2SJ3R3P 3.3	J22339003		1-	A	C1
R 7563	METAL FILM RES.	3.3	2W	5%	ERG-2SJ3R3P 3.3	J22339003		1-	A	C2
R 7564	CHIPRES.	10k	1/16W	5%	RMC1/16 103JATP	J24185103		1-	A	D3
R 7565	CHIPRES.	1k	1/16W	5%	RMC1/16 102JATP	J24185102		1-	A	B4
R 7566	CHIPRES.	22k	1/16W	5%	RMC1/16 223JATP	J24185223		1-	A	C3
R 7567	CHIPRES.	0	1/16W	5%	RMC1/16 000JATP	J24185000		1-	A	B4
R 7568	CHIPRES.	22k	1/16W	5%	RMC1/16 223JATP	J24185223		1-	A	C1
R 7569	CHIPRES.	4.7k	1/10W	5%	RMC1/10T 472J	J24205472		1-	A	C3
R 7570	METAL FILM RES.	120	2W	5%	ERG-2SJ121P 120	J22339015		1-	A	C1
R 7571	METAL FILM RES.	120	2W	5%	ERG-2SJ121P 120	J22339015		1-	A	C2
R 7573	METAL FILM RES.	22	2W	5%	ERG-2SJ220P 22	J22339014		1-	A	C1
R 7574	METAL FILM RES.	22	2W	5%	ERG-2SJ220P 22	J22339014		1-	A	C3
R 7575	CHIPRES.	2.2k	1/2W	5%	RMC1/2 222JCTP	J24275222		1-	A	B3
R 7576	CHIPRES.	220	1/2W	5%	RK73B2HTE220-OHMJ	J24279021		1-	A	B3
R 7576	CHIPRES.	680	1/2W	5%	RK73B2HTE680-OHMJ	J24279027		3	A	B3
R 7577	CHIPRES.	220	1/2W	5%	RK73B2HTE220-OHMJ	J24279021		1-	A	B3
R 7577	CHIPRES.	680	1/2W	5%	RK73B2HTE680-OHMJ	J24279027		3	A	B3
R 7578	CHIPRES.	1k	1/16W	0.5%	RR0510P-102-D	J24189119		1-	A	B4
R 7579	CHIPRES.	18k	1/16W	0.5%	RR0510R-183-D	J24189149		1-	A	B4
R 7580	CEMENTRES.	0.05	5W	10%	ERF-5AKR05	J30379001		1-	A	C3
R 7581	CHIPRES.	10	1/16W	5%	RMC1/16 100JATP	J24185100		1-	A	C4
R 7582	CHIPRES.	22k	1/16W	0.1%	RN731JTDD2202B25	J24189410		1-	A	D3
R 7583	CHIPRES.	22k	1/16W	0.1%	RN731JTDD2202B25	J24189410		1-	A	D3
R 7584	CHIPRES.	2.7k	1/16W	0.1%	RN731JTDD2701B25	J24189408		1-	A	D3
R 7585	CHIPRES.	2.7k	1/16W	0.1%	RN731JTDD2701B25	J24189408		1-	A	D3
R 7586	CHIPRES.	5.6k	1/16W	0.1%	RN731JTDD5601B25	J24189409		1-	A	D4

# PA-B Unit (D, Contest Type)

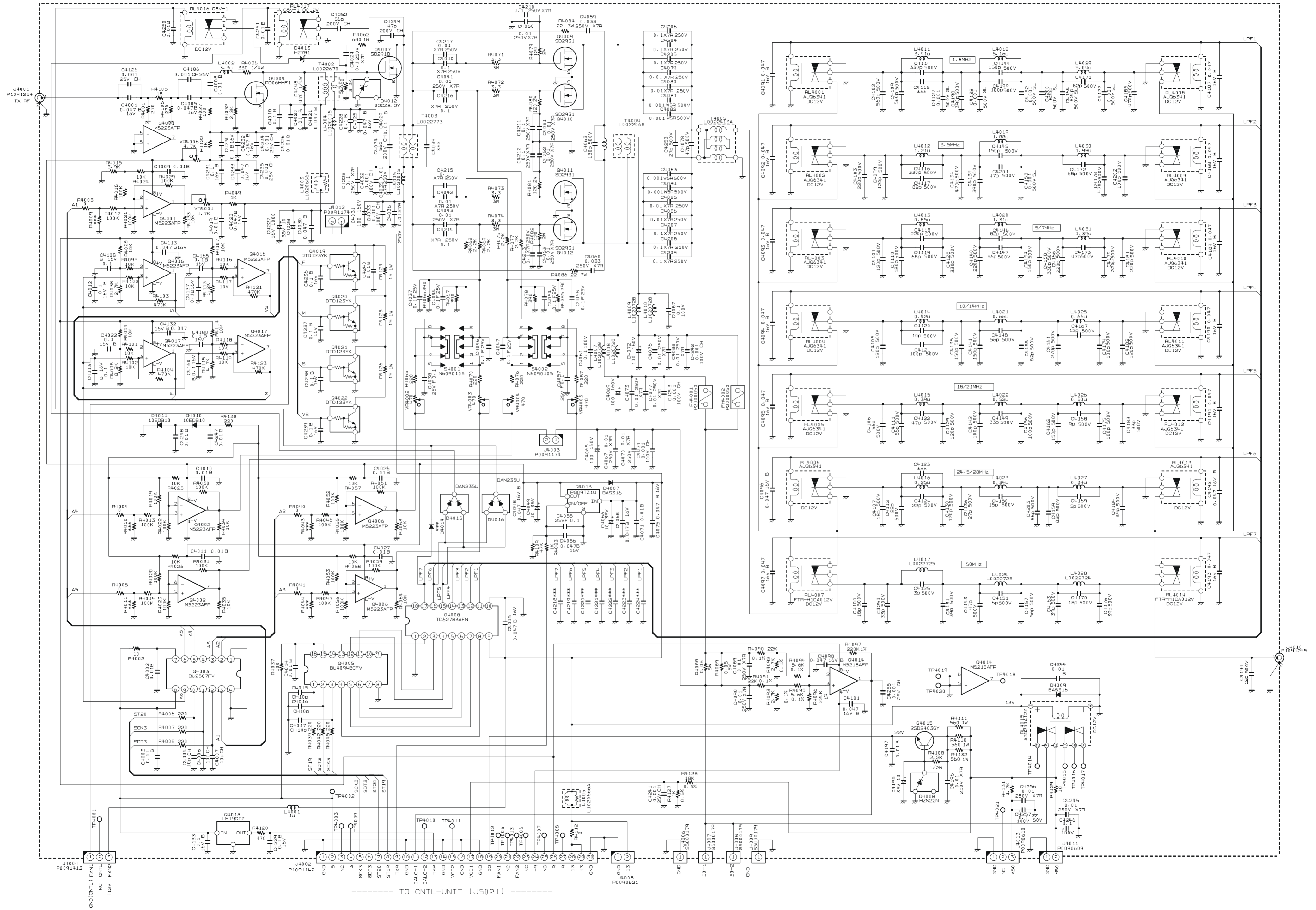
## Parts List

REF	DESCRIPTION	VALUE	V/W	TOL.	MFR'S DESIG	VXSTD P/N	VERS.	LOT	SIDE	LAY ADR
R 7587	CHIPRES.	5.6k	1/16W	0.1%	RN731JTDD5601B25	J24189409		1-	A	D4
R 7588	CHIPRES.	220k	1/16W	1%	RMC1/16 224FTP	J24183224		1-	A	D4
R 7589	CHIPRES.	220k	1/16W	1%	RMC1/16 224FTP	J24183224		1-	A	D4
R 7590	CHIPRES.	4.7k	1/16W	5%	RMC1/16 472JATP	J24185472		1-	A	B4
R 7591	CHIPRES.	0	1/16W	5%	RMC1/16 000JATP	J24185000		1-	A	D4
R 7592	CHIPRES.	470	1/16W	5%	RMC1/16 471JATP	J24185471		1-	A	D4
R 7593	CHIPRES.	3.9k	1/16W	5%	RMC1/16 392JATP	J24185392		1-3		
R 7594	CHIPRES.	2.2k	1/16W	5%	RMC1/16 222JATP	J24185222		1-3		
R 7596	CHIPRES.	10k	1/16W	5%	RMC1/16 103JATP	J24185103		1-	A	A2
R 7597	CHIPRES.	10k	1/16W	5%	RMC1/16 103JATP	J24185103		1-	A	A2
R 7598	CHIPRES.	10k	1/16W	5%	RMC1/16 103JATP	J24185103		1-	A	A2
R 7599	CHIPRES.	1.2k	1/16W	5%	RMC1/16 122JATP	J24185122		1-	A	A2
R 7600	CHIPRES.	10k	1/16W	5%	RMC1/16 103JATP	J24185103		1-	A	A2
R 7601	CHIPRES.	10k	1/16W	5%	RMC1/16 103JATP	J24185103		1-	A	A2
R 7602	CHIPRES.	10k	1/16W	5%	RMC1/16 103JATP	J24185103		1-	A	A3
R 7603	CHIPRES.	2.7k	1/16W	5%	RMC1/16 272JATP	J24185272		1-	A	A3
R 7604	CHIPRES.	10k	1/16W	5%	RMC1/16 103JATP	J24185103		1-	A	A3
R 7605	CHIPRES.	10k	1/16W	5%	RMC1/16 103JATP	J24185103		1-	A	A3
R 7606	CHIPRES.	10k	1/16W	5%	RMC1/16 103JATP	J24185103		1-	A	A3
R 7607	CHIPRES.	4.7k	1/16W	5%	RMC1/16 472JATP	J24185472		1-	A	A3
R 7608	CHIPRES.	10k	1/16W	5%	RMC1/16 103JATP	J24185103		1-	A	A3
R 7609	CHIPRES.	10k	1/16W	5%	RMC1/16 103JATP	J24185103		1-	A	A3
R 7610	CHIPRES.	10k	1/16W	5%	RMC1/16 103JATP	J24185103		1-	A	A3
R 7611	CHIPRES.	8.2k	1/16W	5%	RMC1/16 822JATP	J24185822		1-	A	A3
R 7612	CHIPRES.	15	1W	5%	RMC1 150JTE	J24305150		1-	A	A3
R 7613	CHIPRES.	15	1W	5%	RMC1 150JTE	J24305150		1-	A	A3
R 7614	CHIPRES.	15	1W	5%	RMC1 150JTE	J24305150		1-	A	A3
R 7615	CHIPRES.	10k	1/16W	5%	RMC1/16 103JATP	J24185103		1-	A	B4
R 7616	CHIPRES.	56k	1/16W	5%	RMC1/16 563JATP	J24185563		1-	A	B4
R 7617	CHIPRES.	4.7k	1/16W	5%	RMC1/16 472JATP	J24185472		1-	A	B4
R 7618	CHIPRES.	470k	1/16W	5%	RMC1/16 474JATP	J24185474		1-	A	A2
R 7619	CHIPRES.	470k	1/16W	5%	RMC1/16 474JATP	J24185474		1-	A	A3
R 7620	CHIPRES.	470k	1/16W	5%	RMC1/16 474JATP	J24185474		1-	A	A3
R 7621	CHIPRES.	470k	1/16W	5%	RMC1/16 474JATP	J24185474		1-	A	A3
R 7622	CHIPRES.	220	1/16W	5%	RMC1/16 221JATP	J24185221		4-	A	C4
R 7623	CHIPRES.	0	1/16W	5%	RMC1/16 000JATP	J24185000		4-	A	C4
R 7624	CHIPRES.	680	1/2W	5%	RK73B2HTE680-OHMJ	J24279027		3		
R 7624	METAL FILM RES.	240	20W	1%	RNP-20S C241F	J22439002		4-		
R 7624	METAL FILM RES.	240	20W	1%	RNP-20S C241F	J22439002		47-		
R 7625	CHIPRES.	680	1/2W	5%	RK73B2HTE680-OHMJ	J24279027		3		
R 7625	METAL FILM RES.	4.7	3W	5%	ERX-3SJ4R7 4.7	J22359046		4-45		
R 7626	CARBON FILM RES.	330	1/2W	5%	RD12TJ331 330	J01275331		39-		
R 7626	CHIPRES.	330	1/2W	5%	RMC1/2 331JCTP	J24275331		47-		
R 7627	CARBON FILM RES.	220	1/6W	5%	RD16TPJ221 220	J07225221		3		
RL7501	RELAY		DC12V		AJQ1341 DC12V	M1190172		1-	A	E4
RL7502	RELAY		DC12V		AJQ1341 DC12V	M1190172		1-	A	G2
RL7503	RELAY		DC12V		AJQ1341 DC12V	M1190172		1-	A	E4
RL7504	RELAY		DC12V		AJQ1341 DC12V	M1190172		1-	A	F3
RL7505	RELAY		DC12V		AJQ1341 DC12V	M1190172		1-	A	E5
RL7506	RELAY		DC12V		AJQ1341 DC12V	M1190172		1-	A	F2
RL7507	RELAY		DC12V		JS-12-K DC12V	M1190154		1-	A	G2
RL7508	RELAY		DC12V		AJQ1341 DC12V	M1190172		1-	A	J4
RL7509	RELAY		DC12V		AJQ1341 DC12V	M1190172		1-	A	J2
RL7510	RELAY		DC12V		AJQ1341 DC12V	M1190172		1-	A	J4
RL7511	RELAY		DC12V		AJQ1341 DC12V	M1190172		1-	A	J3
RL7512	RELAY		DC12V		AJQ1341 DC12V	M1190172		1-	A	J5
RL7513	RELAY		DC12V		AJQ1341 DC12V	M1190172		1-	A	J3
RL7514	RELAY		DC12V		JS-12-K DC12V	M1190154		1-	A	I1
S 7501	SLIDE SWITCH				SSSS223-01-A	N6090105		1-	A	C4
T 7501	COIL 10WIDE				1-1 3A6 RIB4X7X5	L0022924		1-	A	B2
T 7502	COIL PWR-WIDE				3A5 RIB10X20X10	L0022773		1-	A	C2
T 7503	COIL PWR-WIDE				D12A TR16	L0022068		1-	A	D2
T 7504	COIL PWR-WIDE				D12A RIB21	L0022883		1-	A	E2
TP7516	TERMINAL				TP-G MK1095	Q5000036		4-	A	D1
VR7501	POT.	4.7k			EVN-5ESX50BQ3	J51811472		1-	A	A2
VR7502	POT.	4.7k			EVN-5ESX50BQ3	J51811472		1-	A	B2
VR7503	POT.	10k			EVN-5ESX50B14	J51811103		1-	A	C4
VR7504	POT.	10k			EVN-5ESX50B14	J51811103		1-	A	C4



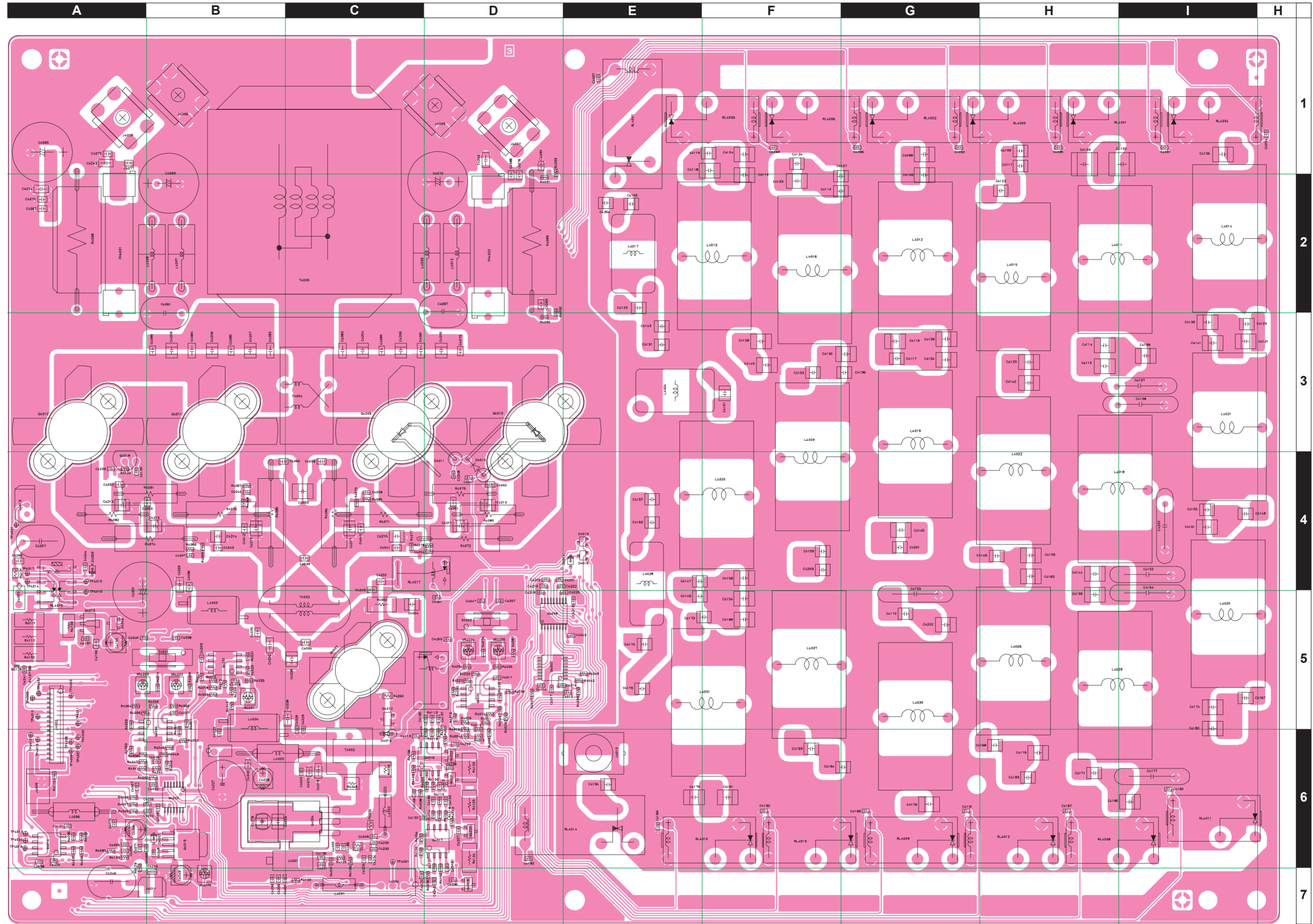
## *PA-B Unit (D, Contest Type)*

*Note*

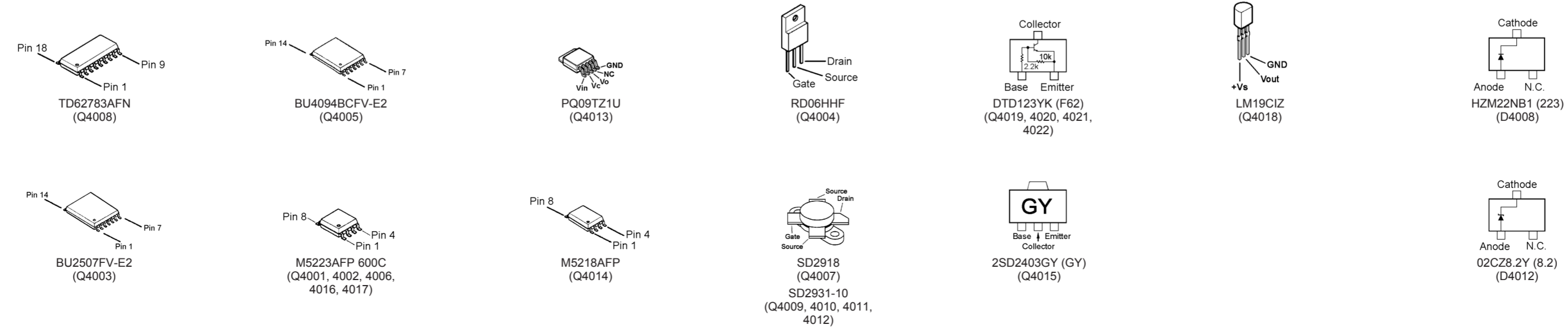


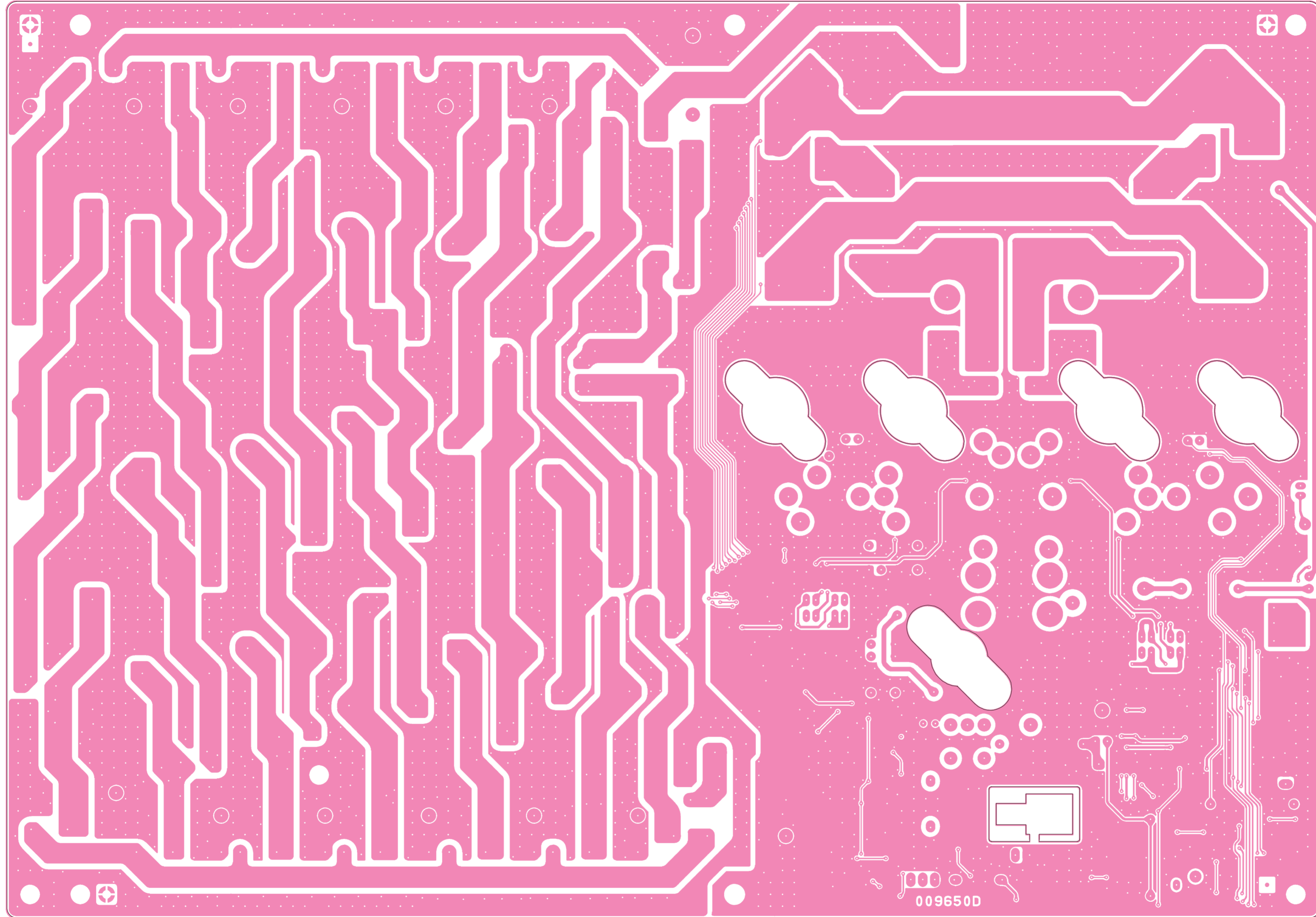
*PA-A Unit (MP Type)*

*Note*

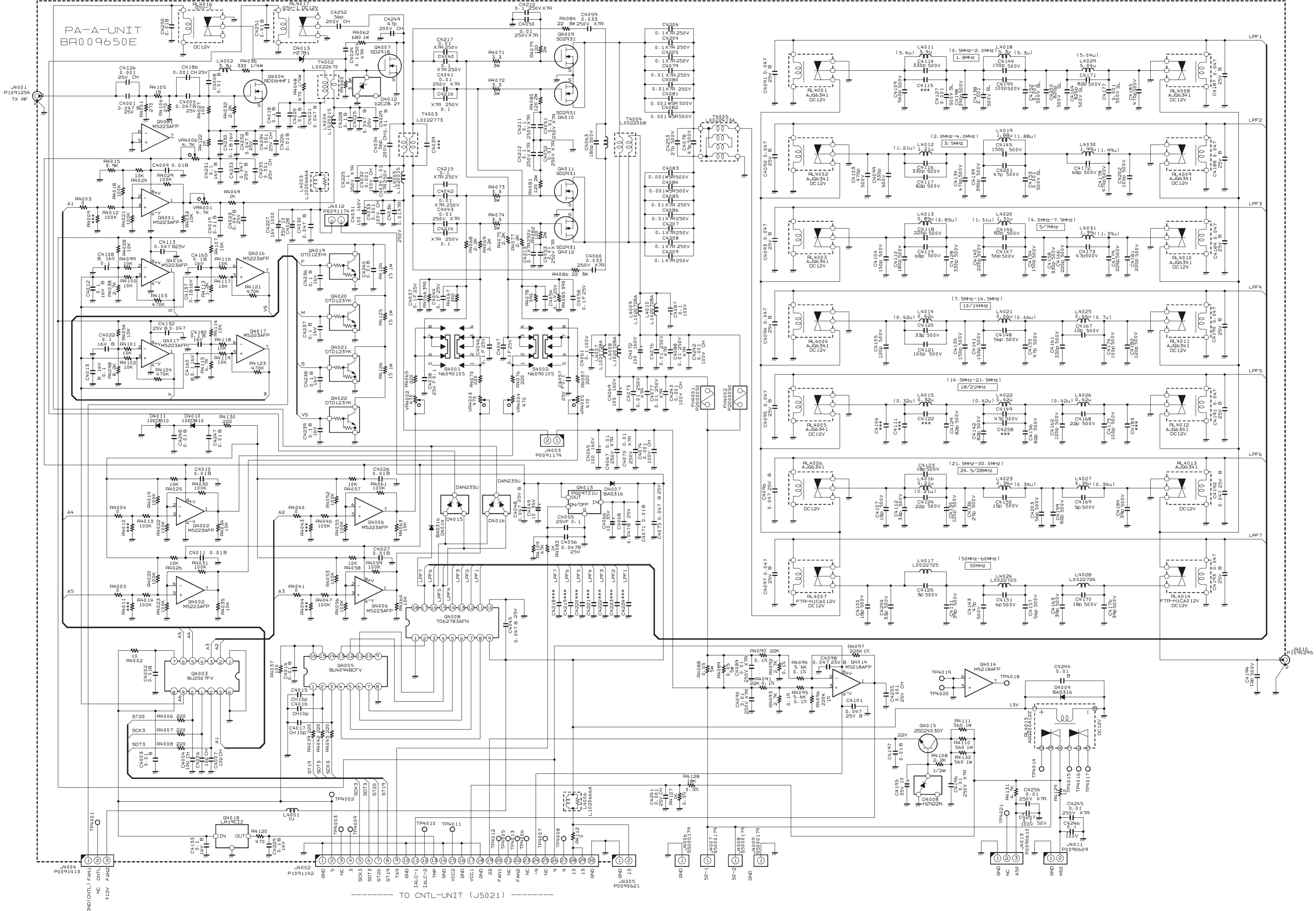


Side A





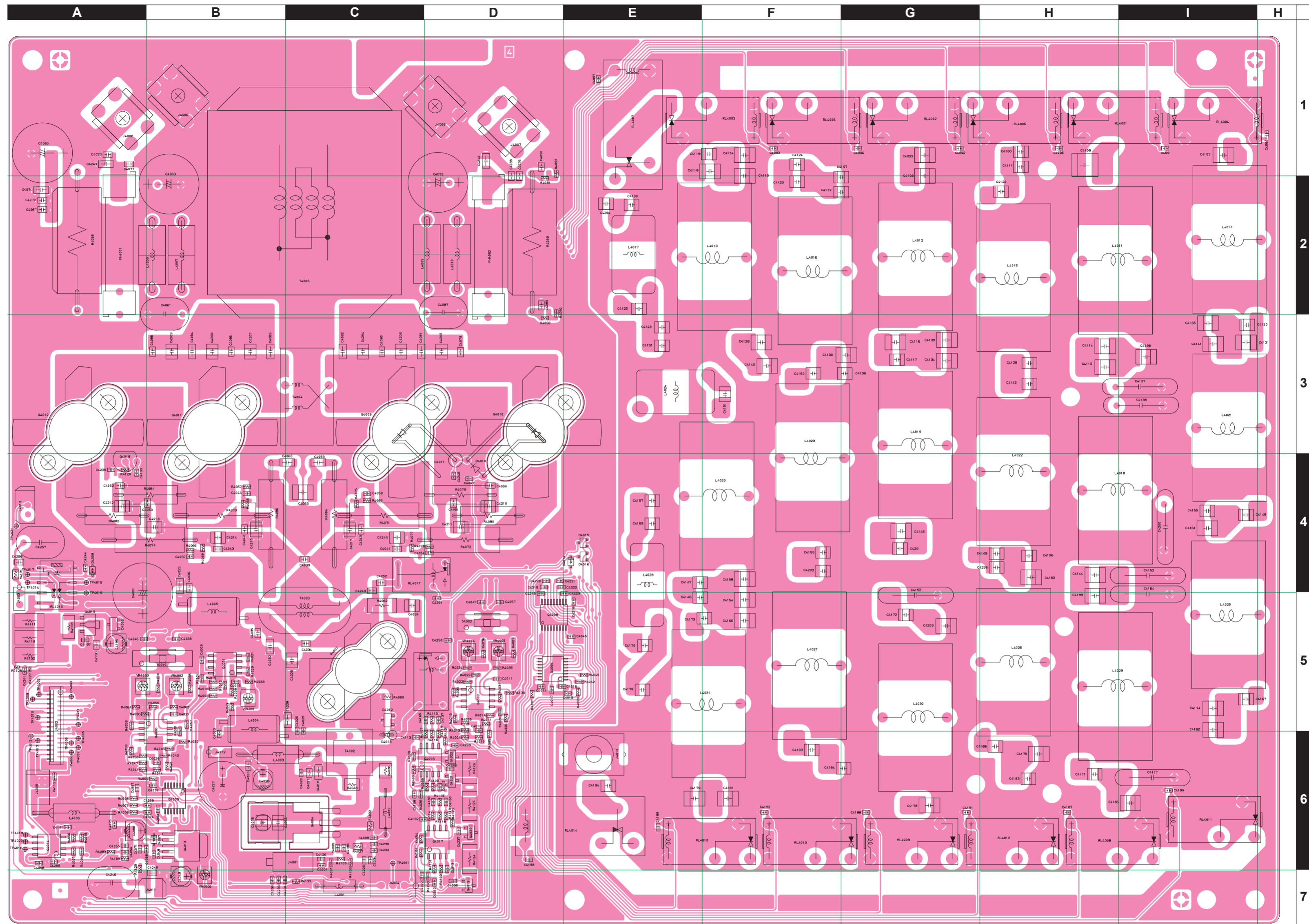
Side B



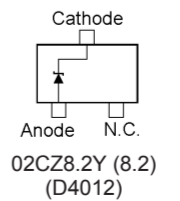
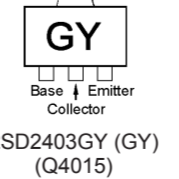
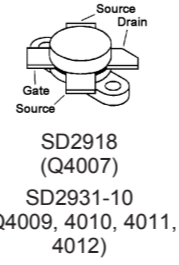
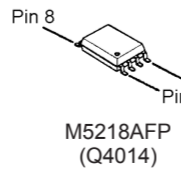
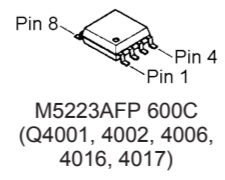
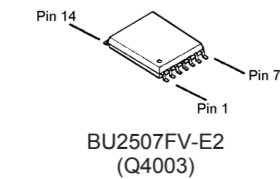
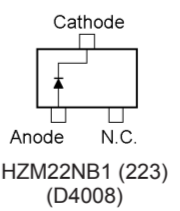
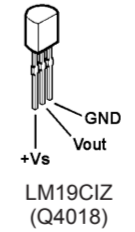
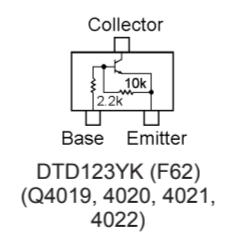
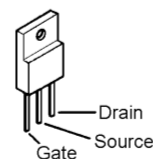
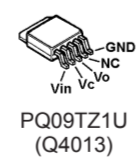
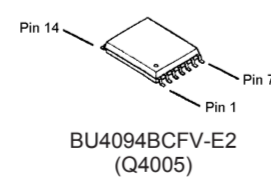
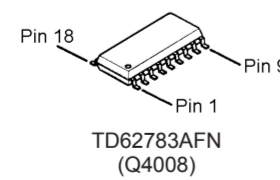
TO CNTL-UNIT (J5021)

*PA-A Unit (MP Type)*

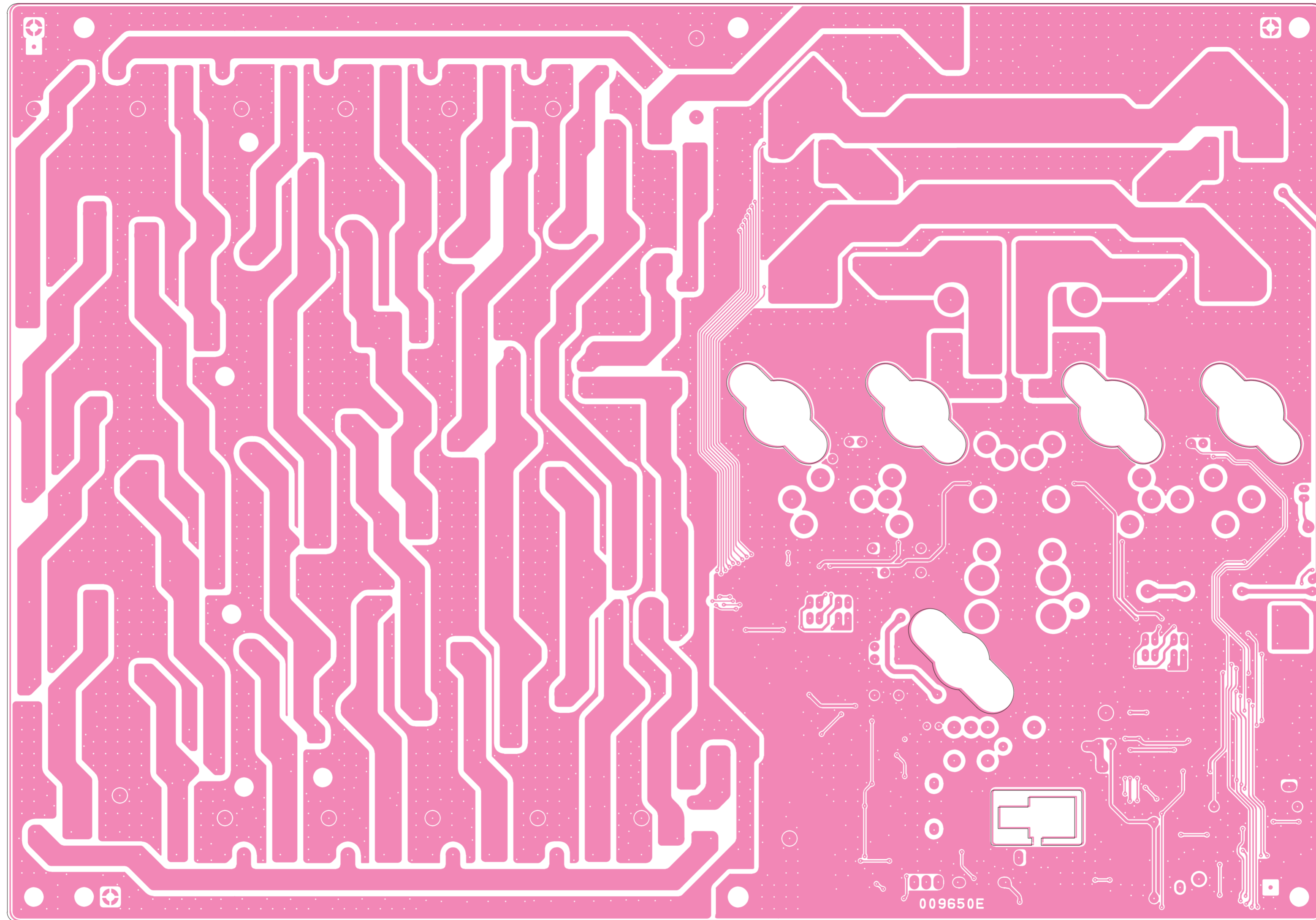
*Note*



Side A







Side B

# PA-A Unit (MP Type)

## Parts List

REF	DESCRIPTION	VALUE	V/W	TOL.	MFR'S DESIG	VXSTD P/N	VERS.	LOT	SIDE	LAY ADR
PCB with Components						CS1856001				
Printed Circuit Board						FR009650D		1-		
						FR009650E		10-		
C 4001	CHIP CAP.	0.047uF	16V	B	GRM39B473K16PT	K22124804		1-	A	C6
C 4001	CHIP CAP.	0.047uF	25V	B	GRM188B11E473KA01D	K22144811		27-	A	C6
C 4002	CHIP CAP.	0.01uF	50V	B	GRM188B11H103KA01D	K22174823		1-	A	B6
C 4003	CHIP CAP.	0.01uF	50V	B	GRM188B11H103KA01D	K22174823		1-	A	B6
C 4004	CHIP CAP.	10pF	50V	CH	GRM1882C1H100JA01D	K22174211		1-	A	B6
C 4005	CHIP CAP.	0.047uF	16V	B	GRM39B473K16PT	K22124804		1-	A	C6
C 4005	CHIP CAP.	0.047uF	25V	B	GRM188B11E473KA01D	K22144811		27-	A	C6
C 4006	CHIP CAP.	10pF	50V	CH	GRM1882C1H100JA01D	K22174211		1-	A	B6
C 4007	CHIP CAP.	10pF	50V	CH	GRM1882C1H100JA01D	K22174211		1-	A	A6
C 4008	CHIP CAP.	0.01uF	50V	B	GRM188B11H103JA01D	K22174824		1-	A	C6
C 4009	CHIP CAP.	0.01uF	50V	B	GRM188B11H103KA01D	K22174823		1-	A	B5
C 4010	CHIP CAP.	0.01uF	50V	B	GRM188B11H103KA01D	K22174823		1-	A	D6
C 4011	CHIP CAP.	0.01uF	50V	B	GRM188B11H103KA01D	K22174823		1-	A	D5
C 4012	CHIP CAP.	0.1uF	16V	B	GRM188B11C104KA01D	K22124805		1-	A	D6
C 4013	CHIP CAP.	0.1uF	16V	B	GRM188B11C104KA01D	K22124805		1-	A	D7
C 4014	CHIP CAP.	0.01uF	50V	B	GRM188B11H103KA01D	K22174823		1-	A	D5
C 4015	CHIP CAP.	10pF	50V	CH	GRM1882C1H100JA01D	K22174211		1-	A	E5
C 4016	CHIP CAP.	10pF	50V	CH	GRM1882C1H100JA01D	K22174211		1-	A	D5
C 4017	CHIP CAP.	10pF	50V	CH	GRM1882C1H100JA01D	K22174211		1-	A	D5
C 4018	CHIP CAP.	0.1uF	50V	B	GRM42-6B104K50PT	K22171820		1-	A	C6
C 4019	CHIP CAP.	0.01uF	50V	B	GRM188B11H103JA01D	K22174824		1-	A	B5
C 4020	CHIP CAP.	0.01uF	50V	B	GRM188B11H103JA01D	K22174824		1-	A	C6
C 4021	CHIP CAP.	0.047uF	50V	B	GRM21BB11H473KA01L	K22170823		1-	A	C6
C 4022	CHIP CAP.	0.1uF	16V	B	GRM188B11C104KA01D	K22124805		1-	A	C7
C 4023	CHIP CAP.	0.047uF	16V	B	GRM39B473K16PT	K22124804		1-	A	B6
C 4023	CHIP CAP.	0.047uF	25V	B	GRM188B11E473KA01D	K22144811		27-	A	B6
C 4024	CHIP CAP.	0.1uF	250V	X7R	GRM32DR72E104KW01L	K22245801		1-	A	C5
C 4025	CHIP CAP.	0.047uF	16V	B	GRM39B473K16PT	K22124804		1-	A	C6
C 4025	CHIP CAP.	0.047uF	25V	B	GRM188B11E473KA01D	K22144811		27-	A	C6
C 4026	CHIP CAP.	0.01uF	50V	B	GRM188B11H103KA01D	K22174823		1-	A	B6
C 4027	CHIP CAP.	0.01uF	50V	B	GRM188B11H103KA01D	K22174823		1-	A	B5
C 4028	AL.ELECTRO.CAP.	10uF	35V		ECEV1VA100WR	K48160004		1-	A	B6
C 4028	AL.ELECTRO.CAP.	10uF	35V		EEE1VA100WR	K48160006		9-	A	B6
C 4029	CHIP CAP.	0.01uF	50V	B	GRM188B11H103JA01D	K22174824		1-	A	C6
C 4030	CHIP CAP.	0.047uF	50V	B	GRM21BB11H473KA01L	K22170823		1-	A	B6
C 4031	AL.ELECTRO.CAP.	100uF	160V		RE3-160V101MI6#	K40229001		1-	A	A5
C 4032	CHIP CAP.	0.001uF	100V	CH	GRM31M2C2A102JZ01L	K22201202		1-	A	B5
C 4033	CHIP CAP.	0.001uF	100V	CH	GRM31M2C2A102JZ01L	K22201202		1-	A	B4
C 4034	CHIP CAP.	56pF	200V	CH	GRM2192C2D560JV01D	K22230225		1-	A	C5
C 4035	CHIP CAP.	0.01uF	250V	X7R	GRM21BR72E103KW03L	K22240801		1-	A	B5
C 4036	CHIP CAP.	0.01uF	250V	X7R	GRM21BR72E103KW03L	K22240801		1-	A	B4
C 4037	CHIP CAP.	0.1uF	25V	F	GRM188F11E104ZA01D	K22145001		1-	A	B4
C 4038	CHIP CAP.	0.1uF	25V	F	GRM188F11E104ZA01D	K22145001		1-	A	B5
C 4040	CHIP CAP.	0.01uF	250V	X7R	GRM21BR72E103KW03L	K22240801		1-	A	C4
C 4041	CHIP CAP.	0.01uF	250V	X7R	GRM21BR72E103KW03L	K22240801		1-	A	C4
C 4042	CHIP CAP.	0.01uF	250V	X7R	GRM21BR72E103KW03L	K22240801		1-	A	B4
C 4043	CHIP CAP.	0.01uF	250V	X7R	GRM21BR72E103KW03L	K22240801		1-	A	B4
C 4044	CHIP CAP.	0.1uF	25V	F	GRM188F11E104ZA01D	K22145001		1-	A	B4
C 4045	CHIP CAP.	0.047uF	16V	B	GRM39B473K16PT	K22124804		1-	A	E5
C 4045	CHIP CAP.	0.047uF	25V	B	GRM188B11E473KA01D	K22144811		27-	A	E5
C 4046	CHIP CAP.	0.1uF	25V	F	GRM188F11E104ZA01D	K22145001		1-	A	A5
C 4047	CHIP CAP.	0.1uF	25V	F	GRM188F11E104ZA01D	K22145001		1-	A	D5
C 4048	CHIP CAP.	0.047uF	16V	B	GRM39B473K16PT	K22124804		1-	A	B6
C 4048	CHIP CAP.	0.047uF	25V	B	GRM188B11E473KA01D	K22144811		27-	A	B6
C 4049	AL.ELECTRO.CAP.	10uF	35V		ECEV1VA100WR	K48160004		1-	A	B7
C 4049	AL.ELECTRO.CAP.	10uF	35V		EEE1VA100WR	K48160006		9-	A	B7
C 4050	CHIP CAP.	0.01uF	250V	X7R	GRM21BR72E103KW03L	K22240801		1-	A	D4
C 4051	CHIP CAP.	0.01uF	250V	X7R	GRM21BR72E103KW03L	K22240801		1-	A	D4
C 4052	CHIP CAP.	0.01uF	250V	X7R	GRM21BR72E103KW03L	K22240801		1-	A	A4
C 4053	CHIP CAP.	0.01uF	250V	X7R	GRM21BR72E103KW03L	K22240801		1-	A	B4
C 4054	CHIP CAP.	0.1uF	25V	F	GRM188F11E104ZA01D	K22145001		1-	A	D4
C 4055	CHIP CAP.	0.1uF	25V	F	GRM188F11E104ZA01D	K22145001		1-	A	A6
C 4056	CHIP CAP.	0.047uF	16V	B	GRM39B473K16PT	K22124804		1-	A	A6
C 4056	CHIP CAP.	0.047uF	25V	B	GRM188B11E473KA01D	K22144811		27-	A	A6
C 4057	CHIP CAP.	0.1uF	25V	F	GRM188F11E104ZA01D	K22145001		1-	A	D5
C 4058	CHIP CAP.	0.1uF	25V	F	GRM188F11E104ZA01D	K22145001		1-	A	C4
C 4059	CHIP CAP.	0.01uF	250V	X7R	GRM21BR72E103KW03L	K22240801		1-	A	C4
C 4059	CHIP CAP.	0.033uF	250V	X7R	GRM31CR72E333KW03L	K22241802		4-	A	C4
C 4060	CHIP CAP.	0.01uF	250V	X7R	GRM21BR72E103KW03L	K22240801		1-	A	C4
C 4060	CHIP CAP.	0.033uF	250V	X7R	GRM31CR72E333KW03L	K22241802		4-	A	C4

# PA-A Unit (MP Type)

## Parts List

REF	DESCRIPTION	VALUE	V/W	TOL.	MFR'S DESIG	VXSTD P/N	VERS.	LOT	SIDE	LAY ADR
C 4061	FILM CAP.	0.1uF	100V		ECQ-B1104JF	K50205104		1-	A	B3
C 4061	FILM CAP.	0.1uF	630V		MPEF0630J10400000075	K52280010		50-	A	B3
C 4063	FILM CAP.	180pF	500V		UC342H1800J-T	K33279039		1-	A	C4
C 4065	AL.ELECTRO.CAP.	100uF	160V		RE3-160V101M16#	K40229001		1-	A	A1
C 4066	AL.ELECTRO.CAP.	10uF	35V		ECEV1VA100WR	K48160004		1-	A	A6
C 4066	AL.ELECTRO.CAP.	10uF	35V		EEE1VA100WR	K48160006		9-	A	A6
C 4067	CHIP CAP.	0.01uF	250V	X7R	GRM21BR72E103KW03L	K22240801		1-	A	A2
C 4068	CHIP CAP.	0.047uF	16V	B	GRM39B473K16PT	K22124804		1-	A	A6
C 4068	CHIP CAP.	0.047uF	25V	B	GRM188B11E473KA01D	K22144811		27-	A	A6
C 4069	AL.ELECTRO.CAP.	100uF	160V		RE3-160V101M16#	K40229001		1-	A	B2
C 4070	CHIP CAP.	0.01uF	250V	X7R	GRM21BR72E103KW03L	K22240801		1-	A	A2
C 4071	CHIP CAP.	0.01uF	50V	B	GRM188B11H103JA01D	K22174824		1-	A	A6
C 4072	AL.ELECTRO.CAP.	100uF	160V		RE3-160V101M16#	K40229001		1-	A	D2
C 4073	CHIP CAP.	0.01uF	250V	X7R	GRM21BR72E103KW03L	K22240801		1-	A	A1
C 4074	CHIP CAP.	0.001uF	100V	CH	GRM31M2C2A102JZ01L	K22201202		1-	A	A2
C 4075	CHIP CAP.	0.047uF	16V	B	GRM39B473K16PT	K22124804		1-	A	A6
C 4075	CHIP CAP.	0.047uF	25V	B	GRM188B11E473KA01D	K22144811		27-	A	A6
C 4076	CHIP CAP.	0.01uF	250V	X7R	GRM21BR72E103KW03L	K22240801		1-	A	D2
C 4077	CHIP CAP.	0.01uF	250V	X7R	GRM21BR72E103KW03L	K22240801		1-	A	A1
C 4078	FILM CAP.	47pF	500V		UC232H0470J-T	K33279034		1-	A	B6
C 4079	CHIP CAP.	0.01uF	250V	X7R	GRM21BR72E103KW03L	K22240801		1-	A	D3
C 4080	CHIP CAP.	0.01uF	250V	X7R	GRM21BR72E103KW03L	K22240801		1-	A	C3
C 4081	CHIP CAP.	0.001uF	500V	W5R	CF316W5R102K500AT	K22271802		1-	A	C3
C 4082	CHIP CAP.	0.001uF	500V	W5R	CF316W5R102K500AT	K22271802		1-	A	C3
C 4083	CHIP CAP.	0.001uF	500V	W5R	CF316W5R102K500AT	K22271802		1-	A	B3
C 4084	CHIP CAP.	0.001uF	500V	W5R	CF316W5R102K500AT	K22271802		1-	A	B3
C 4085	CHIP CAP.	0.01uF	250V	X7R	GRM21BR72E103KW03L	K22240801		1-	A	B3
C 4086	CHIP CAP.	0.01uF	250V	X7R	GRM21BR72E103KW03L	K22240801		1-	A	B3
C 4087	FILM CAP.	0.1uF	100V		ECQ-B1104JF	K50205104		1-	A	D2
C 4087	FILM CAP.	0.1uF	630V		MPEF0630J10400000075	K52280010		50-	A	D2
C 4088	CHIP CAP.	0.01uF	250V	X7R	GRM21BR72E103KW03L	K22240801		1-	A	D2
C 4089	CHIP CAP.	0.01uF	250V	X7R	GRM21BR72E103KW03L	K22240801		1-	A	D2
C 4090	CHIP CAP.	0.01uF	250V	X7R	GRM21BR72E103KW03L	K22240801		1-	A	D1
C 4091	CHIP CAP.	0.047uF	16V	B	GRM39B473K16PT	K22124804		1-	A	I1
C 4091	CHIP CAP.	0.047uF	25V	B	GRM188B11E473KA01D	K22144811		27-	A	I1
C 4092	CHIP CAP.	0.047uF	16V	B	GRM39B473K16PT	K22124804		1-	A	G1
C 4092	CHIP CAP.	0.047uF	25V	B	GRM188B11E473KA01D	K22144811		27-	A	G1
C 4093	CHIP CAP.	0.047uF	16V	B	GRM39B473K16PT	K22124804		1-	A	F1
C 4093	CHIP CAP.	0.047uF	25V	B	GRM188B11E473KA01D	K22144811		27-	A	F1
C 4094	CHIP CAP.	0.047uF	16V	B	GRM39B473K16PT	K22124804		1-	A	J1
C 4094	CHIP CAP.	0.047uF	25V	B	GRM188B11E473KA01D	K22144811		27-	A	J1
C 4095	CHIP CAP.	0.047uF	16V	B	GRM39B473K16PT	K22124804		1-	A	H1
C 4095	CHIP CAP.	0.047uF	25V	B	GRM188B11E473KA01D	K22144811		27-	A	H1
C 4096	CHIP CAP.	0.047uF	16V	B	GRM39B473K16PT	K22124804		1-	A	G1
C 4096	CHIP CAP.	0.047uF	25V	B	GRM188B11E473KA01D	K22144811		27-	A	G1
C 4097	CHIP CAP.	0.047uF	16V	B	GRM39B473K16PT	K22124804		1-	A	E1
C 4097	CHIP CAP.	0.047uF	25V	B	GRM188B11E473KA01D	K22144811		27-	A	E1
C 4098	CHIP CAP.	0.047uF	16V	B	GRM39B473K16PT	K22124804		1-	A	A6
C 4098	CHIP CAP.	0.047uF	25V	B	GRM188B11E473KA01D	K22144811		27-	A	A6
C 4099	FILM CAP.	120pF	500V		UC342H1200J-T	K33279026		1-	A	G1
C 4099	FILM CAP.	150pF	500V		UC342H1500J-T	K33279012		4	A	G1
C 4099	FILM CAP.	330pF	500V		UC342H3300J-T	K33279014		5-	A	G1
C 4100	FILM CAP.	18pF	500V		UC232H0180J-T	K33279029		1-	A	E2
C 4101	CHIP CAP.	0.047uF	16V	B	GRM39B473K16PT	K22124804		1-	A	A6
C 4101	CHIP CAP.	0.047uF	25V	B	GRM188B11E473KA01D	K22144811		27-	A	A6
C 4102	FILM CAP.	560pF	500V		UC552H5600J-T	K33279041		1-5	A	I1
C 4103	FILM CAP.	220pF	500V		UC342H2200J-T	K33279011		1-	A	G2
C 4103	FILM CAP.	470pF	500V		UC342H4700J-T	K33279015		5-	A	G2
C 4104	FILM CAP.	120pF	500V		UC342H1200J-T	K33279026		1-	A	F1
C 4104	FILM CAP.	150pF	500V		UC342H1500J-T	K33279012		4-	A	F1
C 4105	FILM CAP.	120pF	500V		UC342H1200J-T	K33279026		1-	A	I1
C 4106	FILM CAP.	56pF	500V		UC232H0560J-T	K33279035		1-5	A	H1
C 4107	FILM CAP.	18pF	500V		UC232H0180J-T	K33279029		1-	A	G2
C 4108	CHIP CAP.	0.1uF	160V	B	GRM188B11C104KA01D	K22124805		1-	A	C6
C 4109	FILM CAP.	560pF	500V		UC552H5600J-T	K33279041		1-	A	H1
C 4110	FILM CAP.	180pF	500V		UC342H1800J-T	K33279039		1-	A	F2
C 4111	FILM CAP.	56pF	500V		UC232H0560J-T	K33279035		1-5	A	H1
C 4112	FILM CAP.	22pF	500V		UC232H0220J-T	K33279021		1-	A	G2
C 4112	FILM CAP.	33pF	500V		UC232H0330J-T	K33279024		4-	A	G2
C 4113	CHIP CAP.	0.047uF	16V	B	GRM39B473K16PT	K22124804		1-	A	C6
C 4113	CHIP CAP.	0.047uF	25V	B	GRM188B11E473KA01D	K22144811		27-	A	C6
C 4114	FILM CAP.	330pF	500V		UC342H3300J-T	K33279014		1-	A	H3
C 4116	FILM CAP.	330pF	500V		UC342H3300J-T	K33279014		1-	A	G3

# PA-A Unit (MP Type)

## Parts List

REF	DESCRIPTION	VALUE	V/W	TOL.	MFR'S DESIG	VXSTD P/N	VERS.	LOT	SIDE	LAY ADR
C 4117	FILM CAP.	82pF	500V		UC232H0820J-T	K33279033		1-	A	G3
C 4118	FILM CAP.	220pF	500V		UC342H2200J-T	K33279011		1-	A	F1
C 4119	FILM CAP.	68pF	500V		UC232H0680J-T	K33279030		1-	A	F1
C 4120	FILM CAP.	10pF	500V		UC232H0100D-T	K33279019		1-	A	I3
C 4120	FILM CAP.	33pF	500V		UC232H0330J-T	K33279024		4-	A	I3
C 4121	FILM CAP.	100pF	500V		UC342H1000J-T	K33279031		1-	A	I3
C 4122	FILM CAP.	47pF	500V		UC232H0470J-T	K33279034		1-5	A	H2
C 4123	FILM CAP.	18pF	500V		UC232H0180J-T	K33279029		4-	A	F2
C 4124	FILM CAP.	22pF	500V		UC232H0220J-T	K33279021		1-	A	F1
C 4125	FILM CAP.	3pF	500V		UC232H0030D-T	K33279027		1-	A	E2
C 4126	CHIP CAP.	0.001uF	25V		GRM1882C1E102JA01D	K22144204		1-	A	C6
C 4127	CERAMIC CAP.	0.001uF	500V	CH	HM17SJS102J	K00279028		1-	A	H3
C 4128	FILM CAP.	330pF	500V	SL	UC342H3300J-T	K33279014		1-	A	F3
C 4129	FILM CAP.	120pF	500V		UC342H1200J-T	K33279026		1-	A	H3
C 4129	FILM CAP.	82pF	500V		UC232H0820J-T	K33279033		6-	A	H3
C 4130	FILM CAP.	120pF	500V		UC342H1200J-T	K33279026		1-	A	G3
C 4131	FILM CAP.	39pF	500V		UC232H0390J-T	K33279038		1-	A	E3
C 4132	CHIP CAP.	0.047uF	16V	B	GRM39B473K16PT	K22124804		1-	A	C6
C 4132	CHIP CAP.	0.047uF	25V	B	GRM188B11E473KA01D	K22144811		27-	A	C6
C 4133	CHIP CAP.	0.1uF	16V	B	GRM188B11C104KA01D	K22124805		1-	A	A4
C 4134	FILM CAP.	470pF	500V		UC342H4700J-T	K33279015		1-	A	G3
C 4135	FILM CAP.	150pF	500V		UC342H1500J-T	K33279012		1-	A	I3
C 4136	FILM CAP.	27pF	500V		UC232H0270J-T	K33279023		1-	A	G3
C 4137	CHIP CAP.	0.1uF	16V	B	GRM188B11C104KA01D	K22124805		1-	A	D5
C 4138	CERAMIC CAP.	0.001uF	500V	SL	HM17SJS102J	K00279028		1-	A	I3
C 4139	FILM CAP.	390pF	500V		UC342H3900J-T	K33279040		1-	A	G3
C 4140	FILM CAP.	220pF	500V		UC342H2200J-T	K33279011		1-	A	F3
C 4141	FILM CAP.	150pF	500V		UC342H1500J-T	K33279012		1-	A	I3
C 4142	FILM CAP.	100pF	500V		UC342H1000J-T	K33279031		1-	A	H3
C 4142	FILM CAP.	82pF	500V		UC232H0820J-T	K33279033		6-	A	H3
C 4143	FILM CAP.	47pF	500V		UC232H0470J-T	K33279034		1-	A	E3
C 4144	FILM CAP.	150pF	500V		UC342H1500J-T	K33279012		1-	A	H4
C 4145	FILM CAP.	150pF	500V		UC342H1500J-T	K33279012		1-	A	G4
C 4146	FILM CAP.	82pF	500V		UC232H0820J-T	K33279033		1-	A	E5
C 4147	FILM CAP.	56pF	500V		UC232H0560J-T	K33279035		1-	A	E4
C 4148	FILM CAP.	56pF	500V		UC232H0560J-T	K33279035		1-	A	I4
C 4149	FILM CAP.	33pF	500V		UC232H0330J-T	K33279024		1-	A	H4
C 4149	FILM CAP.	15pF	500V		UC232H0150J-T	K33279028		4-	A	H4
C 4149	FILM CAP.	47pF	500V		UC232H0470J-T	K33279034		6-	A	H4
C 4150	FILM CAP.	15pF	500V		UC232H0150J-T	K33279028		1-	A	F3
C 4151	FILM CAP.	6pF	500V		UC232H0060D-T	K33279045		1-	A	F3
C 4152	CERAMIC CAP.	0.001uF	500V	SL	HM17SJS102J	K00279028		1-	A	I4
C 4153	CERAMIC CAP.	0.001uF	500V	SL	HM17SJS102J	K00279028		1-	A	G5
C 4154	FILM CAP.	150pF	500V		UC342H1500J-T	K33279012		1-	A	F5
C 4155	FILM CAP.	82pF	500V		UC232H0820J-T	K33279033		1-	A	I4
C 4155	FILM CAP.	47pF	500V		UC232H0470J-T	K33279034		4-	A	I4
C 4156	FILM CAP.	100pF	500V		UC342H1000J-T	K33279031		1-	A	H4
C 4156	FILM CAP.	82pF	500V		UC232H0820J-T	K33279033		6-	A	H4
C 4157	FILM CAP.	56pF	500V		UC232H0560J-T	K33279035		1-	A	E4
C 4158	FILM CAP.	330pF	500V		UC342H3300J-T	K33279014		1-	A	F4
C 4159	FILM CAP.	82pF	500V		UC232H0820J-T	K33279033		1-	A	F4
C 4160	CHIP CAP.	0.1uF	16V	B	GRM188B11C104KA01D	K22124805		1-	A	D6
C 4161	FILM CAP.	270pF	500V		UC342H2700J-T	K33279013		1-	A	I4
C 4161	FILM CAP.	330pF	500V		UC342H3300J-T	K33279014		4-	A	I4
C 4162	FILM CAP.	150pF	500V		UC342H1500J-T	K33279012		1-	A	H4
C 4162	FILM CAP.	120pF	500V		UC342H1200J-T	K33279026		6-	A	H4
C 4163	FILM CAP.	39pF	500V		UC232H0390J-T	K33279038		1-	A	E4
C 4164	CERAMIC CAP.	820pF	500V	SL	HM17SJS1821J	K00279027		1-	A	I5
C 4165	CHIP CAP.	0.1uF	16V	B	GRM188B11C104KA01D	K22124805		1-	A	D5
C 4166	FILM CAP.	220pF	500V		UC342H2200J-T	K33279011		1-	A	F5
C 4167	FILM CAP.	12pF	500V		UC232H0120J-T	K33279020		1-	A	I5
C 4168	FILM CAP.	9pF	500V		UC232H0090D-T	K33279047		1-	A	H6
C 4168	FILM CAP.	22pF	500V		UC232H0220J-T	K33279021		6-	A	H6
C 4169	FILM CAP.	5pF	500V		UC232H0050D-T	K33279010		1-	A	F6
C 4170	FILM CAP.	18pF	500V		UC232H0180J-T	K33279029		1-	A	E5
C 4171	FILM CAP.	82pF	500V		UC232H0820J-T	K33279033		1-	A	H6
C 4172	FILM CAP.	68pF	500V		UC232H0680J-T	K33279030		1-	A	G5
C 4173	FILM CAP.	47pF	500V		UC232H0470J-T	K33279034		1-	A	F5
C 4174	FILM CAP.	100pF	500V		UC342H1000J-T	K33279031		1-	A	I5
C 4175	FILM CAP.	100pF	500V		UC342H1000J-T	K33279031		1-	A	H6
C 4176	FILM CAP.	39pF	500V		UC232H0390J-T	K33279038		1-	A	E5
C 4177	CERAMIC CAP.	0.001uF	500V	SL	HM17SJS102J	K00279028		1-	A	I6
C 4178	FILM CAP.	470pF	500V		UC342H4700J-T	K33279015		1-	A	G6

# PA-A Unit (MP Type)

## Parts List

REF	DESCRIPTION	VALUE	V/W	TOL.	MFR'S DESIG	VXSTD P/N	VERS.	LOT	SIDE	LAY ADR
C 4179	FILM CAP.	220pF	500V		UC342H2200J-T	K33279011		1-	A	E6
C 4180	CHIP CAP.	0.1uF	16V	B	GRM188B11C104KA01D	K22124805		1-	A	D6
C 4181	FILM CAP.	220pF	500V		UC342H2200J-T	K33279011		1-	A	F6
C 4182	FILM CAP.	120pF	500V		UC342H1200J-T	K33279026		1-	A	I6
C 4183	FILM CAP.	33pF	500V		UC232H0330J-T	K33279024		1-5	A	H6
C 4184	FILM CAP.	39pF	500V		UC232H0390J-T	K33279038		1-	A	G6
C 4185	FILM CAP.	470pF	500V		UC342H4700J-T	K33279015		1-	A	I6
C 4186	CHIP CAP.	0.001uF	25V	CH	GRM1882C1E102JA01D	K22144204		1-	A	C6
C 4187	CHIP CAP.	0.047uF	16V	B	GRM39B473K16PT	K22124804		1-	A	H6
C 4187	CHIP CAP.	0.047uF	25V	B	GRM188B11E473KA01D	K22144811		27-	A	H6
C 4188	CHIP CAP.	0.047uF	16V	B	GRM39B473K16PT	K22124804		1-	A	G6
C 4188	CHIP CAP.	0.047uF	25V	B	GRM188B11E473KA01D	K22144811		27-	A	G6
C 4189	CHIP CAP.	0.047uF	16V	B	GRM39B473K16PT	K22124804		1-	A	E6
C 4189	CHIP CAP.	0.047uF	25V	B	GRM188B11E473KA01D	K22144811		27-	A	E6
C 4190	CHIP CAP.	0.047uF	16V	B	GRM39B473K16PT	K22124804		1-	A	I6
C 4190	CHIP CAP.	0.047uF	25V	B	GRM188B11E473KA01D	K22144811		27-	A	I6
C 4191	CHIP CAP.	0.047uF	16V	B	GRM39B473K16PT	K22124804		1-	A	G6
C 4191	CHIP CAP.	0.047uF	25V	B	GRM188B11E473KA01D	K22144811		27-	A	G6
C 4192	CHIP CAP.	0.047uF	16V	B	GRM39B473K16PT	K22124804		1-	A	F6
C 4192	CHIP CAP.	0.047uF	25V	B	GRM188B11E473KA01D	K22144811		27-	A	F6
C 4193	CHIP CAP.	0.047uF	16V	B	GRM39B473K16PT	K22124804		1-	A	D6
C 4193	CHIP CAP.	0.047uF	25V	B	GRM188B11E473KA01D	K22144811		27-	A	D6
C 4194	FILM CAP.	12pF	500V		UC232H0120J-T	K33279020		1-	A	E6
C 4195	AL.ELECTRO.CAP.	10uF	35V		ECEV1VA100WR	K48160004		1-	A	A5
C 4195	AL.ELECTRO.CAP.	10uF	35V		EEE1VA100WR	K48160006		9-	A	A5
C 4196	CHIP CAP.	0.01uF	250V	X7R	GRM21BR72E103KW03L	K22240801		1-	A	A5
C 4197	CHIP CAP.	0.01uF	50V	B	GRM188B11H103JA01D	K22174824		1-	A	A5
C 4198	FILM CAP.	390pF	500V		UC342H3900J-T	K33279040		1-	A	I3
C 4199	FILM CAP.	100pF	500V		UC342H1000J-T	K33279031		1-	A	H5
C 4200	CERAMIC CAP.	820pF	500V	SL	HM17SJSLS821J	K00279027		1-	A	I4
C 4201	FILM CAP.	47pF	500V		UC232H0470J-T	K33279034		1-	A	G4
C 4202	FILM CAP.	100pF	500V		UC342H1000J-T	K33279031		1-	A	G5
C 4203	FILM CAP.	56pF	500V		UC232H0560J-T	K33279035		1-	A	F4
C 4204	CHIP CAP.	0.1uF	250V	X7R	GRM32DR72E104KW01L	K22245801		1-	A	C3
C 4205	CHIP CAP.	0.1uF	250V	X7R	GRM32DR72E104KW01L	K22245801		1-	A	D3
C 4206	CHIP CAP.	0.1uF	250V	X7R	GRM32DR72E104KW01L	K22245801		1-	A	C3
C 4207	CHIP CAP.	0.1uF	250V	X7R	GRM32DR72E104KW01L	K22245801		1-	A	B3
C 4208	CHIP CAP.	0.1uF	250V	X7R	GRM32DR72E104KW01L	K22245801		1-	A	B3
C 4209	CHIP CAP.	0.1uF	250V	X7R	GRM32DR72E104KW01L	K22245801		1-	A	B3
C 4210	CHIP CAP.	0.1uF	250V	X7R	GRM32DR72E104KW01L	K22245801		1-	A	D4
C 4211	CHIP CAP.	0.1uF	250V	X7R	GRM32DR72E104KW01L	K22245801		1-	A	D4
C 4212	CHIP CAP.	0.1uF	250V	X7R	GRM32DR72E104KW01L	K22245801		1-	A	A4
C 4213	CHIP CAP.	0.1uF	250V	X7R	GRM32DR72E104KW01L	K22245801		1-	A	B4
C 4214	CHIP CAP.	0.1uF	250V	X7R	GRM32DR72E104KW01L	K22245801		1-	A	B4
C 4215	CHIP CAP.	0.1uF	250V	X7R	GRM32DR72E104KW01L	K22245801		1-	A	B4
C 4216	CHIP CAP.	0.1uF	250V	X7R	GRM32DR72E104KW01L	K22245801		1-	A	C4
C 4217	CHIP CAP.	0.1uF	250V	X7R	GRM32DR72E104KW01L	K22245801		1-	A	C4
C 4225	CHIP CAP.	0.1uF	250V	X7R	GRM32DR72E104KW01L	K22245801		1-	A	C5
C 4226	CHIP CAP.	0.01uF	50V	B	GRM188B11H103KA01D	K22174823		1-	A	C6
C 4227	AL.ELECTRO.CAP.	1000uF	16V		RE3-16V102MH3#	K40129096		1-	A	B6
C 4228	CHIP CAP.	0.1uF	50V	B	GRM42-6B104K50PT	K22171820		1-	A	C5
C 4229	CHIP CAP.	0.1uF	16V	B	GRM188B11C104KA01D	K22124805		1-	A	A4
C 4230	CHIP CAP.	0.1uF	16V	B	GRM188B11C104KA01D	K22124805		1-	A	C6
C 4231	CHIP CAP.	0.1uF	16V	B	GRM188B11C104KA01D	K22124805		1-	A	B7
C 4232	CHIP CAP.	0.047uF	16V	B	GRM39B473K16PT	K22124804		1-	A	C6
C 4232	CHIP CAP.	0.047uF	25V	B	GRM188B11E473KA01D	K22144811		27-	A	C6
C 4233	CHIP CAP.	0.047uF	16V	B	GRM39B473K16PT	K22124804		1-	A	B7
C 4233	CHIP CAP.	0.047uF	25V	B	GRM188B11E473KA01D	K22144811		27-	A	B7
C 4234	CHIP CAP.	0.001uF	25V	CH	GRM1882C1E102JA01D	K22144204		1-	A	C6
C 4235	CHIP CAP.	0.001uF	25V	CH	GRM1882C1E102JA01D	K22144204		1-	A	B7
C 4236	CHIP CAP.	0.1uF	16V	B	GRM188B11C104KA01D	K22124805		1-	A	D7
C 4237	CHIP CAP.	0.1uF	16V	B	GRM188B11C104KA01D	K22124805		1-	A	D6
C 4238	CHIP CAP.	0.1uF	16V	B	GRM188B11C104KA01D	K22124805		1-	A	D6
C 4239	CHIP CAP.	0.1uF	16V	B	GRM188B11C104KA01D	K22124805		1-	A	D6
C 4240	CHIP CAP.	0.01uF	50V	B	GRM188B11H103KA01D	K22174823		1-	A	D7
C 4241	CHIP CAP.	0.001uF	25V	CH	GRM1882C1E102JA01D	K22144204		1-	A	A5
C 4242	CHIP CAP.	0.001uF	100V	CH	GRM31M2C2A102JZ01L	K22201202		1-	A	D1
C 4243	CHIP CAP.	0.001uF	100V	CH	GRM31M2C2A102JZ01L	K22201202		1-	A	A1
C 4244	CHIP CAP.	0.01uF	50V	B	GRM188B11H103JA01D	K22174824		1-	A	A4
C 4245	CHIP CAP.	0.01uF	250V	X7R	GRM21BR72E103KW03L	K22240801		1-	A	B7
C 4246	FILM CAP.	0.1uF	100V		ECQ-B1104JF	K50205104		1-	A	A7
C 4246	FILM CAP.	0.1uF	100V		ECQV1104JM	K52200002		50-	A	A7
C 4247	CHIP CAP.	0.01uF	50V	B	GRM188B11H103KA01D	K22174823		1-	A	D4

# PA-A Unit (MP Type)

## Parts List

REF	DESCRIPTION	VALUE	V/W	TOL.	MFR'S DESIG	VXSTD P/N	VERS.	LOT	SIDE	LAY ADR
C 4248	CHIP CAP.	0.01uF	50V	B	GRM188B11H103KA01D	K22174823		1-	A	D4
C 4249	CHIP CAP.	47pF	200V	CH	GRM2192C2D470JV01D	K22230224		1-	A	C5
C 4250	CHIP CAP.	0.01uF	50V	B	GRM188B11H103KA01D	K22174823		1-	A	D5
C 4251	CHIP CAP.	0.01uF	50V	B	GRM188B11H103KA01D	K22174823		1-	A	D5
C 4252	CHIP CAP.	56pF	200V	CH	GRM2192C2D560JV01D	K22230225		1-	A	C4
C 4253	FILM CAP.	27pF	500V		UC232H0270J-T	K33279023		1-	A	B6
C 4254	FILM CAP.	33pF	500V		UC232H0330J-T	K33279024		1-	A	E2
C 4255	CHIP CAP.	0.001uF	25V	CH	GRM1882C1E102JA01D	K22144204		1-	A	A6
C 4256	CHIP CAP.	0.01uF	250V	X7R	GRM21BR72E103KW03L	K22240801		1-	A	A4
C 4257	FILM CAP.	0.1uF	100V		ECQ-B1104JF	K50205104		1-	A	A4
C 4257	FILM CAP.	0.1uF	100V		ECQV1104JM	K52200002		50-	A	A4
C 4258	FILM CAP.	18pF	500V		UC232H0180J-T	K33279029		4-5	A	H4
D 4007	DIODE				BAS316	G2070716		1-	A	B6
D 4008	DIODE				HZM22NB1 TR-E	G2071052		1-	A	A5
D 4009	DIODE				BAS316	G2070716		1-	A	A4
D 4010	DIODE				10EDB10	G2090781		1-	A	D4
D 4011	DIODE				10EDB10	G2090781		1-	A	D4
D 4012	DIODE				02CZ8.2Y TE85R	G2070146		1-	A	C5
D 4013	DIODE				HZ7B1	G2090229		1-	A	C6
D 4014	DIODE				BAS316	G2070716		1-	A	E4
D 4014	DIODE				BAS316	G2070716		4-	A	E4
D 4015	DIODE				DAN235U TL	G2070176		1-	A	E4
D 4016	DIODE				DAN235U TL	G2070176		1-	A	E4
F 4001	FUSE	15A			FGBO 250V 15A	Q0000121		1-		
F 4001	FUSE	15A			61NR150H 250V 15A	Q0000158		38-		
F 4002	FUSE	15A			FGBO 250V 15A	Q0000121		1-		
F 4002	FUSE	15A			61NR150H 250V 15A	Q0000158		38-		
FH4001	FUSE CLIP				PFC6000-0202	P2000050		1-	A	A1
FH4002	FUSE CLIP				PFC6000-0202	P2000050		1-	A	D3
J 4001	CONNECTOR				TMP-S01X-C1	P1091254		1-	A	C6
J 4002	CONNECTOR				30FLT-SM2-TB(LF)(SN)(M)	P1091142		1-	A	A5
J 4003	CONNECTOR				IMSA-9202B-1-02-T	P0091174		1-	A	A5
J 4004	CONNECTOR				B3B-XH-A(LF)(SN)	P0091413		1-	A	C7
J 4005	CONNECTOR				SC25-02WS	P0090621		1-	A	A6
J 4006	TERMINAL				Y106	S5000179		1-	A	B1
J 4007	TERMINAL				Y106	S5000179		1-	A	D1
J 4008	TERMINAL				Y106	S5000179		1-	A	A1
J 4009	TERMINAL				Y106	S5000179		1-	A	D1
J 4010	CONNECTOR				S-Q3063#01	P1090295		1-	A	E6
J 4010	CONNECTOR				CTP-106E	P1091397		49-	A	E6
J 4011	CONNECTOR				SB20-02WS	P0090609		1-	A	B7
J 4012	CONNECTOR				IMSA-9202B-1-02-T	P0091174		1-	A	B6
J 4013	CONNECTOR				SB20-03WS	P0090610		1-	A	A4
L 4001	M.RFC	1uH			LAL03TA1R0M	L1790083		1-	A	C7
L 4002	M.RFC	3.3uH			LAL03TA3R3K	L1790089		1-	A	C6
L 4003	RFC A1				43T0.16 4X9CB-20	L1020666A		1-	A	B6
L 4004	RFC WITH BEADS				FB-43-5111	L1020015		1-	A	B5
L 4005	RFC WITH BEADS				FB-43-5111	L1020015		1-	A	B5
L 4006	RFC A1				43T0.16 4X9CB-20	L1020666A		1-	A	A6
L 4007	RFC WITH BEADS				3A R15.8X6.4-2	L1020728		1-	A	B2
L 4007	RFC WITH BEADS				3A R15.8X6.4-2	L1020728A		28-	A	B2
L 4008	RFC WITH BEADS				3A R15.8X6.4-2	L1020728		1-	A	B2
L 4008	RFC WITH BEADS				3A R15.8X6.4-2	L1020728A		28-	A	B2
L 4009	RFC WITH BEADS				3A R15.8X6.4-2	L1020728		1-	A	D2
L 4009	RFC WITH BEADS				3A R15.8X6.4-2	L1020728A		28-	A	D2
L 4010	RFC WITH BEADS				3A R15.8X6.4-2	L1020728		1-	A	D2
L 4010	RFC WITH BEADS				3A R15.8X6.4-2	L1020728A		28-	A	D2
L 4011	TOROIDAL COIL	3.91uH			#223248	L0022941		1-	A	H2
L 4011	TOROIDAL COIL	3.4uH			#223255	L0022941A		6-	A	H2
L 4012	TOROIDAL COIL	1.21uH			#223247	L0022940		1-	A	G2
L 4013	TOROIDAL COIL	0.85uH			#223242	L0022935		1-	A	F2
L 4014	TOROIDAL COIL	0.42uH			#223237	L0022930		1-	A	J2
L 4015	TOROIDAL COIL	0.39uH			#223236	L0022929		1-	A	H2
L 4015	TOROIDAL COIL	0.32uH			#223257	L0022929A		6-	A	H2
L 4016	TOROIDAL COIL	0.25uH			0.25UT-106-6	L0021619		1-	A	G2
L 4016	TOROIDAL COIL	0.21uH			0.21U T-106-6	L0021619A		5-	A	G2
L 4017	COIL A1				3.5T13.0D2.0UEW R	L0022725		1-	A	E2
L 4018	TOROIDAL COIL	5.16uH			#223250	L0022943		1-	A	H4
L 4018	TOROIDAL COIL	5.3uH			#223256	L0022943A		6-	A	H4
L 4019	TOROIDAL COIL	1.88uH			#223246	L0022939		1-	A	G3
L 4020	TOROIDAL COIL	1.31uH			#223243	L0022936		1-	A	E4
L 4021	TOROIDAL COIL	0.66uH			#223240	L0022933		1-	A	J3
L 4022	TOROIDAL COIL	0.52uH			#223239	L0022932		1-	A	H4

# PA-A Unit (MP Type)

## Parts List

REF	DESCRIPTION	VALUE	V/W	TOL.	MFR'S DESIG	VXSTD P/N	VERS.	LOT	SIDE	LAY ADR
L 4022	TOROIDAL COIL	0.42uH			#223237	L0022930		6-	A	H4
L 4023	TOROIDAL COIL	0.34uH			#223235	L0022928		1-	A	G4
L 4024	COIL A1				3.5T13.0D2.0UEW R	L0022725		1-	A	F3
L 4025	TOROIDAL COIL	0.66uH			#223240	L0022933		1-	A	J5
L 4026	TOROIDAL COIL	0.5uH			#223238	L0022931		1-	A	H5
L 4026	TOROIDAL COIL	0.42uH			#223237	L0022930		6-	A	H5
L 4027	TOROIDAL COIL	0.34uH			#223235	L0022928		1-	A	F5
L 4028	COIL A1				2.5T14.0D2.0UEW R	L0022724		1-	A	E4
L 4029	TOROIDAL COIL	5.04uH			#223249	L0022942		1-	A	H5
L 4030	TOROIDAL COIL	1.99uH			#223245	L0022938		1-	A	G5
L 4031	TOROIDAL COIL	1.39uH			#223244	L0022937		1-	A	F5
P 4001	CONNECTOR				IMSA-9206H-T	P1090988		1-		
P 4002	CONNECTOR				IMSA-9206H-T	P1090988		1-		
Q 4001	IC				M5223AFP 600C	G1092955		1-	A	B5
Q 4002	IC				M5223AFP 600C	G1092955		1-	A	D5
Q 4003	IC				BU2507FV-E2	G1093773		1-	A	B6
Q 4004	FET				RD06HHF1-01	G3090145		1-	A	B6
Q 4005	IC				BU4094BCFV-E2	G1093527		1-	A	D5
Q 4006	IC				M5223AFP 600C	G1092955		1-	A	B6
Q 4007	FET				SD2918	G3090147		1-	A	C5
Q 4008	IC				TD62783AFNG(5.S.EL)	G1092700		1-	A	D5
Q 4009	FET				SD2931-10	G3090146		1-	A	C3
Q 4010	FET				SD2931-10	G3090146		1-	A	D3
Q 4011	FET				SD2931-10	G3090146		1-	A	B3
Q 4012	FET				SD2931-10	G3090146		1-	A	A3
Q 4013	IC				PQ09TZ1U	G1092599		1-	A	B6
Q 4014	IC				M5218AFP-600C	G1091607		1-	A	A6
Q 4015	TRANSISTOR				2SD2403GY-T1	G3424038Y		1-	A	A5
Q 4016	IC				M5223AFP 600C	G1092955		1-	A	D6
Q 4017	IC				M5223AFP 600C	G1092955		1-	A	D6
Q 4018	IC				LM19CIZ	G1094150		1-	A	A4
Q 4019	TRANSISTOR				DTD123YK T146	G3070157		1-	A	D7
Q 4020	TRANSISTOR				DTD123YK T146	G3070157		1-	A	D6
Q 4021	TRANSISTOR				DTD123YK T146	G3070157		1-	A	D6
Q 4022	TRANSISTOR				DTD123YK T146	G3070157		1-	A	D6
R 4001	CHIPRES.	270	1/16W	5%	RMC1/16 271JATP	J24185271		1-	A	C6
R 4002	CHIPRES.	10	1/16W	5%	RMC1/16 100JATP	J24185100		1-	A	B6
R 4003	CHIPRES.	0	1/16W	5%	RMC1/16 000JATP	J24185000		1-	A	B5
R 4004	CHIPRES.	0	1/16W	5%	RMC1/16 000JATP	J24185000		1-	A	D6
R 4005	CHIPRES.	0	1/16W	5%	RMC1/16 000JATP	J24185000		1-	A	D6
R 4006	CHIPRES.	220	1/16W	5%	RMC1/16 221JATP	J24185221		1-	A	A6
R 4007	CHIPRES.	220	1/16W	5%	RMC1/16 221JATP	J24185221		1-	A	A6
R 4008	CHIPRES.	220	1/16W	5%	RMC1/16 221JATP	J24185221		1-	A	A6
R 4012	CHIPRES.	100k	1/16W	5%	RMC1/16 104JATP	J24185104		1-	A	B5
R 4013	CHIPRES.	100k	1/16W	5%	RMC1/16 104JATP	J24185104		1-	A	D6
R 4014	CHIPRES.	100k	1/16W	5%	RMC1/16 104JATP	J24185104		1-	A	D5
R 4015	CHIPRES.	3.9k	1/16W	5%	RMC1/16 392JATP	J24185392		1-	A	B5
R 4018	CHIPRES.	100k	1/16W	5%	RMC1/16 104JATP	J24185104		1-	A	B5
R 4019	CHIPRES.	100k	1/16W	5%	RMC1/16 104JATP	J24185104		1-	A	D5
R 4020	CHIPRES.	100k	1/16W	5%	RMC1/16 104JATP	J24185104		1-	A	D5
R 4021	CHIPRES.	100k	1/16W	5%	RMC1/16 104JATP	J24185104		1-	A	B5
R 4022	CHIPRES.	100k	1/16W	5%	RMC1/16 104JATP	J24185104		1-	A	D5
R 4023	CHIPRES.	100k	1/16W	5%	RMC1/16 104JATP	J24185104		1-	A	D5
R 4024	CHIPRES.	10k	1/16W	5%	RMC1/16 103JATP	J24185103		1-	A	B5
R 4025	CHIPRES.	10k	1/16W	5%	RMC1/16 103JATP	J24185103		1-	A	D5
R 4026	CHIPRES.	10k	1/16W	5%	RMC1/16 103JATP	J24185103		1-	A	D5
R 4027	CHIPRES.	100	1/10W	5%	RMC1/10T 101J	J24205101		1-	A	C6
R 4028	CHIPRES.	10k	1/16W	5%	RMC1/16 103JATP	J24185103		1-	A	C6
R 4029	CHIPRES.	100k	1/16W	5%	RMC1/16 104JATP	J24185104		1-	A	B5
R 4030	CHIPRES.	100k	1/16W	5%	RMC1/16 104JATP	J24185104		1-	A	D5
R 4031	CHIPRES.	100k	1/16W	5%	RMC1/16 104JATP	J24185104		1-	A	D5
R 4032	CHIPRES.	2.2k	1/10W	5%	RMC1/10T 222J	J24205222		1-	A	C6
R 4033	CHIPRES.	10k	1/16W	5%	RMC1/16 103JATP	J24185103		1-	A	B5
R 4034	CHIPRES.	10k	1/16W	5%	RMC1/16 103JATP	J24185103		1-	A	D5
R 4035	CHIPRES.	10k	1/16W	5%	RMC1/16 103JATP	J24185103		1-	A	D5
R 4036	CHIPRES.	330	1/4W	5%	RMC1/4 331JATP	J24245331		1-	A	C6
R 4037	CHIPRES.	100	1/16W	5%	RMC1/16 101JATP	J24185101		1-	A	D5
R 4038	CHIPRES.	2.7k	1/16W	5%	RMC1/16 272JATP	J24185272		1-	A	C6
R 4039	CHIPRES.	220	1/16W	5%	RMC1/16 221JATP	J24185221		1-	A	E5
R 4040	CHIPRES.	0	1/16W	5%	RMC1/16 000JATP	J24185000		1-	A	B6
R 4041	CHIPRES.	0	1/16W	5%	RMC1/16 000JATP	J24185000		1-	A	A6
R 4042	CHIPRES.	220	1/16W	5%	RMC1/16 221JATP	J24185221		1-	A	E5
R 4045	CHIPRES.	220	1/16W	5%	RMC1/16 221JATP	J24185221		1-	A	E5

# PA-A Unit (MP Type)

## Parts List

REF	DESCRIPTION	VALUE	V/W	TOL.	MFR'S DESIG	VXSTD P/N	VERS.	LOT	SIDE	LAY ADR
R 4046	CHIPRES.	100k	1/16W	5%	RMC1/16 104JATP	J24185104		1-	A	B6
R 4047	CHIPRES.	100k	1/16W	5%	RMC1/16 104JATP	J24185104		1-	A	A6
R 4048	CHIPRES.	470	1/4W	5%	RMC1/4 471JATP	J24245471		1-	A	C6
R 4049	CHIPRES.	1k	1/16W	5%	RMC1/16 102JATP	J24185102		1-	A	B5
R 4052	CHIPRES.	100k	1/16W	5%	RMC1/16 104JATP	J24185104		1-	A	B6
R 4053	CHIPRES.	100k	1/16W	5%	RMC1/16 104JATP	J24185104		1-	A	A6
R 4054	CHIPRES.	10k	1/16W	5%	RMC1/16 103JATP	J24185103		1-	A	C6
R 4055	CHIPRES.	100k	1/16W	5%	RMC1/16 104JATP	J24185104		1-	A	B5
R 4056	CHIPRES.	100k	1/16W	5%	RMC1/16 104JATP	J24185104		1-	A	A5
R 4057	CHIPRES.	10k	1/16W	5%	RMC1/16 103JATP	J24185103		1-	A	B5
R 4058	CHIPRES.	10k	1/16W	5%	RMC1/16 103JATP	J24185103		1-	A	A6
R 4059	CHIPRES.	100k	1/16W	5%	RMC1/16 104JATP	J24185104		1-	A	A5
R 4060	CHIPRES.	3.3k	1/10W	5%	RMC1/10T 332J	J24205332		1-	A	C5
R 4061	CHIPRES.	100k	1/16W	5%	RMC1/16 104JATP	J24185104		1-	A	B6
R 4062	CHIPRES.	680	1W	5%	RMC1 681JTE	J24305681		1-	A	C5
R 4063	CHIPRES.	10k	1/16W	5%	RMC1/16 103JATP	J24185103		1-	A	B5
R 4064	CHIPRES.	10k	1/16W	5%	RMC1/16 103JATP	J24185103		1-	A	A5
R 4065	CHIPRES.	220	1/16W	5%	RMC1/16 221JATP	J24185221		1-	A	B5
R 4066	CHIPRES.	390	1/16W	5%	RMC1/16 391JATP	J24185391		1-	A	B4
R 4067	CHIPRES.	390	1/16W	5%	RMC1/16 391JATP	J24185391		1-	A	B4
R 4068	CHIPRES.	2.2k	1/16W	5%	RMC1/16 222JATP	J24185222		1-	A	B4
R 4069	CHIPRES.	2.2k	1/16W	5%	RMC1/16 222JATP	J24185222		1-	A	B4
R 4070	CHIPRES.	220	1/16W	5%	RMC1/16 221JATP	J24185221		1-	A	B5
R 4071	METAL FILM RES.	3.3	3W	5%	ERX-3SJ3R3P 3.3	J22359045		1-	A	C4
R 4072	METAL FILM RES.	3.3	3W	5%	ERX-3SJ3R3P 3.3	J22359045		1-	A	C4
R 4073	METAL FILM RES.	3.3	3W	5%	ERX-3SJ3R3P 3.3	J22359045		1-	A	B4
R 4074	METAL FILM RES.	3.3	3W	5%	ERX-3SJ3R3P 3.3	J22359045		1-	A	B4
R 4075	CHIPRES.	2.2k	1/16W	5%	RMC1/16 222JATP	J24185222		1-	A	C4
R 4076	CHIPRES.	220	1/16W	5%	RMC1/16 221JATP	J24185221		1-	A	D5
R 4077	CHIPRES.	2.2k	1/16W	5%	RMC1/16 222JATP	J24185222		1-	A	C4
R 4078	CHIPRES.	390	1/16W	5%	RMC1/16 391JATP	J24185391		1-	A	D4
R 4079	METAL FILM RES.	120	2W	5%	ERG-2SJ121P 120	J22339015		1-	A	D4
R 4080	METAL FILM RES.	120	2W	5%	ERG-2SJ121P 120	J22339015		1-	A	D4
R 4081	METAL FILM RES.	120	2W	5%	ERG-2SJ121P 120	J22339015		1-	A	B4
R 4082	METAL FILM RES.	120	2W	5%	ERG-2SJ121P 120	J22339015		1-	A	B4
R 4083	CHIPRES.	1k	1/16W	5%	RMC1/16 102JATP	J24185102		1-	A	A6
R 4084	METAL FILM RES.	22	3W	5%	ERG-3SJ220P 22	J22359025		1-	A	C4
R 4085	CHIPRES.	390	1/16W	5%	RMC1/16 391JATP	J24185391		1-	A	C4
R 4086	METAL FILM RES.	22	3W	5%	ERG-3SJ220P 22	J22359025		1-	A	B4
R 4087	CHIPRES.	220	1/16W	5%	RMC1/16 221JATP	J24185221		1-	A	D5
R 4088	CEMENTRES.	0.05	5W	10%	ERF-5AKR05	J30379001		1-	A	A1
R 4089	CEMENTRES.	0.05	5W	10%	ERF-5AKR05	J30379001		1-	A	D1
R 4090	CHIPRES.	22k	1/16W	0.1%	RN731JTDD2202B25	J24189410		1-	A	D3
R 4091	CHIPRES.	22k	1/16W	0.1%	RN731JTDD2202B25	J24189410		1-	A	D2
R 4092	CHIPRES.	2.7k	1/16W	0.1%	RN731JTDD2701B25	J24189408		1-	A	D3
R 4093	CHIPRES.	2.7k	1/16W	0.1%	RN731JTDD2701B25	J24189408		1-	A	D1
R 4094	CHIPRES.	5.6k	1/16W	0.1%	RN731JTDD5601B25	J24189409		1-	A	A6
R 4095	CHIPRES.	5.6k	1/16W	0.1%	RN731JTDD5601B25	J24189409		1-	A	A6
R 4096	CHIPRES.	220k	1/16W	1%	RMC1/16 224FTP	J24183224		1-	A	A6
R 4097	CHIPRES.	220k	1/16W	1%	RMC1/16 224FTP	J24183224		1-	A	A6
R 4098	CHIPRES.	8.2k	1/16W	5%	RMC1/16 822JATP	J24185822		1-	A	D7
R 4099	CHIPRES.	10k	1/16W	5%	RMC1/16 103JATP	J24185103		1-	A	D6
R 4100	CHIPRES.	10k	1/16W	5%	RMC1/16 103JATP	J24185103		1-	A	D6
R 4101	CHIPRES.	10k	1/16W	5%	RMC1/16 103JATP	J24185103		1-	A	D7
R 4102	CHIPRES.	10k	1/16W	5%	RMC1/16 103JATP	J24185103		1-	A	D7
R 4103	CHIPRES.	470k	1/16W	5%	RMC1/16 474JATP	J24185474		1-	A	C6
R 4104	CHIPRES.	470k	1/16W	5%	RMC1/16 474JATP	J24185474		1-	A	C6
R 4105	CHIPRES.	18	1/16W	5%	RMC1/16 180JATP	J24185180		1-	A	C6
R 4106	CHIPRES.	270	1/16W	5%	RMC1/16 271JATP	J24185271		1-	A	C6
R 4107	CHIPRES.	10k	1/16W	5%	RMC1/16 103JATP	J24185103		1-	A	D6
R 4108	CHIPRES.	2.2k	1/2W	5%	RMC1/2 222JCTP	J24275222		1-	A	A5
R 4109	CHIPRES.	47k	1/16W	5%	RMC1/16 473JATP	J24185473		1-	A	A6
R 4110	CHIPRES.	330	1W	5%	RMC1 331JTE	J24305331		1-	A	A5
R 4110	CHIPRES.	560	1W	5%	RMC1 561JTE	J24305561		4-	A	A5
R 4111	CHIPRES.	330	1W	5%	RMC1 331JTE	J24305331		1-	A	A5
R 4111	CHIPRES.	560	1W	5%	RMC1 561JTE	J24305561		4-	A	A5
R 4112	CHIPRES.	0	1/16W	5%	RMC1/16 000JATP	J24185000		1-	A	A6
R 4113	CHIPRES.	1.2k	1/16W	5%	RMC1/16 122JATP	J24185122		1-	A	D5
R 4114	CHIPRES.	10k	1/16W	5%	RMC1/16 103JATP	J24185103		1-	A	D6
R 4115	CHIPRES.	4.7k	1/16W	5%	RMC1/16 472JATP	J24185472		1-	A	D6
R 4116	CHIPRES.	10k	1/16W	5%	RMC1/16 103JATP	J24185103		1-	A	D6
R 4117	CHIPRES.	10k	1/16W	5%	RMC1/16 103JATP	J24185103		1-	A	D6
R 4118	CHIPRES.	10k	1/16W	5%	RMC1/16 103JATP	J24185103		1-	A	D6

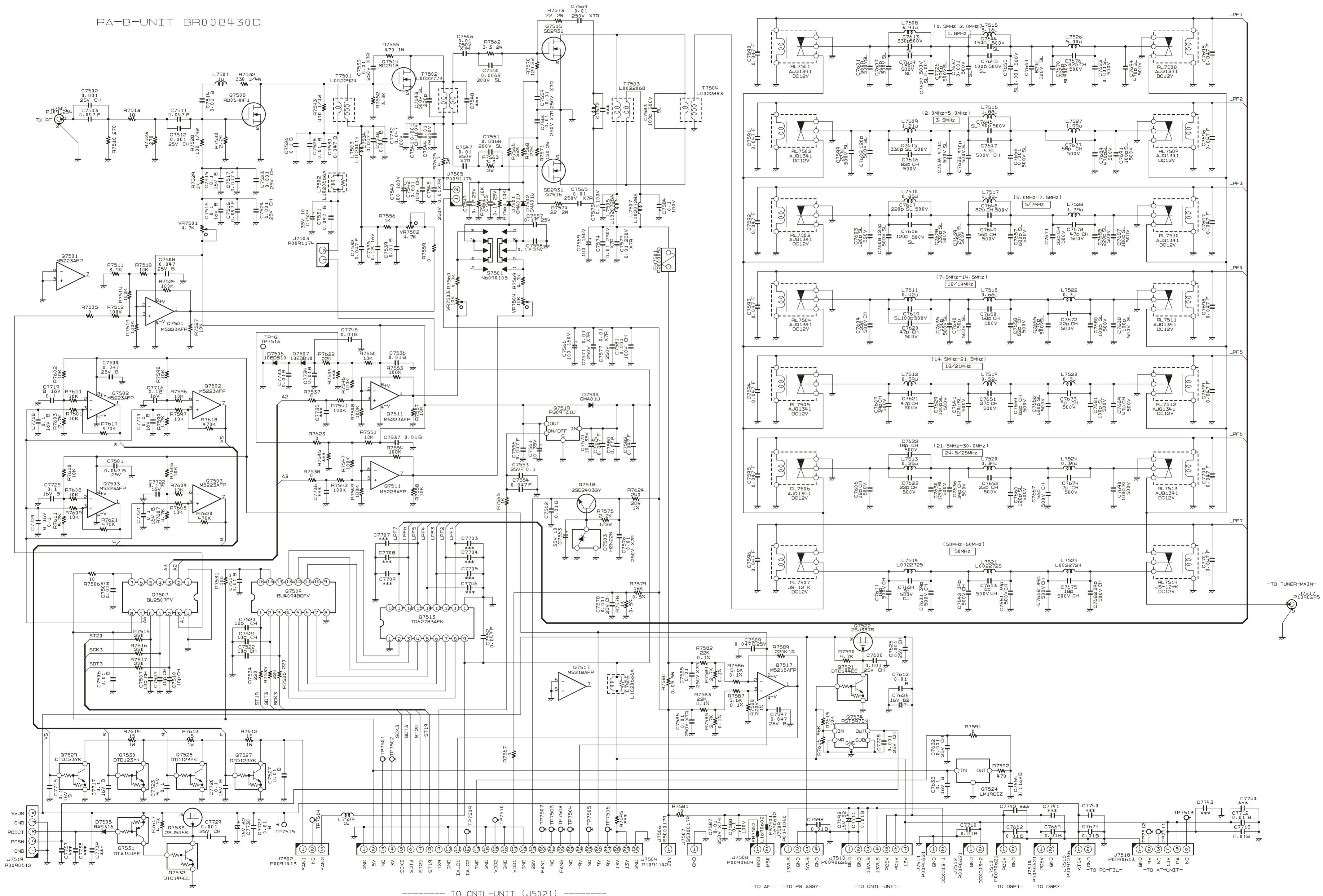


# PA-A Unit (MP Type)

## Parts List

REF	DESCRIPTION	VALUE	V/W	TOL.	MFR'S DESIG	VXSTD P/N	VERS.	LOT	SIDE	LAY ADR
R 4119	CHIPRES.	10k	1/16W	5%	RMC1/16 103JATP	J24185103		1-	A	D6
R 4120	CHIPRES.	470	1/16W	5%	RMC1/16 471JATP	J24185471		1-	A	A4
R 4121	CHIPRES.	470k	1/16W	5%	RMC1/16 474JATP	J24185474		1-	A	D6
R 4122	CHIPRES.	1k	1/16W	5%	RMC1/16 102JATP	J24185102		1-	A	C7
R 4123	CHIPRES.	470k	1/16W	5%	RMC1/16 474JATP	J24185474		1-	A	D6
R 4124	CHIPRES.	15	1W	5%	RMC1 150JTE	J24305150		1-	A	D6
R 4125	CHIPRES.	15	1W	5%	RMC1 150JTE	J24305150		1-	A	D6
R 4126	CHIPRES.	15	1W	5%	RMC1 150JTE	J24305150		1-	A	D6
R 4127	CHIPRES.	1k	1/16W	0.5%	RR0510P-102-D	J24189119		1-	A	A5
R 4128	CHIPRES.	18k	1/16W	0.5%	RR0510R-183-D	J24189149		1-	A	A5
R 4129	CHIPRES.	10	1/16W	5%	RMC1/16 100JATP	J24185100		1-	A	A7
R 4130	CHIPRES.	220	1/16W	5%	RMC1/16 221JATP	J24185221		1-	A	D5
R 4131	CHIPRES.	4.7k	1/10W	5%	RMC1/10T 472J	J24205472		1-	A	A4
R 4132	CHIPRES.	560	1W	5%	RMC1 561JTE	J24305561		4-	A	A5
R 4133	CARBON FILM RES.	330	1/2W	5%	RD12TJ331 330	J01275331		39-		
RL4001	RELAY		DC12V		AJQ6341 DC12V	M1190144		1-	A	I1
RL4002	RELAY		DC12V		AJQ6341 DC12V	M1190144		1-	A	G1
RL4003	RELAY		DC12V		AJQ6341 DC12V	M1190144		1-	A	F1
RL4004	RELAY		DC12V		AJQ6341 DC12V	M1190144		1-	A	J1
RL4005	RELAY		DC12V		AJQ6341 DC12V	M1190144		1-	A	H1
RL4006	RELAY		DC12V		AJQ6341 DC12V	M1190144		1-	A	G1
RL4007	RELAY		DC12V		FTR-H1CA012V DC12V	M1190148		1-	A	E1
RL4008	RELAY		DC12V		AJQ6341 DC12V	M1190144		1-	A	H6
RL4009	RELAY		DC12V		AJQ6341 DC12V	M1190144		1-	A	G6
RL4010	RELAY		DC12V		AJQ6341 DC12V	M1190144		1-	A	E6
RL4011	RELAY		DC12V		AJQ6341 DC12V	M1190144		1-	A	I6
RL4012	RELAY		DC12V		AJQ6341 DC12V	M1190144		1-	A	G6
RL4013	RELAY		DC12V		AJQ6341 DC12V	M1190144		1-	A	F6
RL4014	RELAY		DC12V		FTR-H1CA012V DC12V	M1190148		1-	A	E6
RL4015	RELAY		DC12V		AGQ200A12Z DC12V	M1190188		1-	A	A4
RL4016	RELAY		DC12V		G5V-1 DC12V	M1190120		1-	A	C5
RL4017	RELAY		DC12V		G5V-1 DC12V	M1190120		1-	A	D4
S 4001	SLIDE SWITCH				SSSS223-01-A	N6090105		1-	A	B5
S 4002	SLIDE SWITCH				SSSS223-01-A	N6090105		1-	A	D5
T 4002	COIL 10WIDE				1-3 3A6 RIB4X7X5	L0022670		1-	A	C6
T 4003	COIL PWR-WIDE				3A5 RIB10X20X10	L0022773		1-	A	C5
T 4004	COIL PWR-WIDE				D12A TR16	L0022068		1-	A	B3
T 4005	COIL PWR-WIDE				D12A RIB21	L0022413		1-	A	C2
T 4005	COIL PWR-WIDE				D12A RIB21X42X40	L0022413A		4-	A	C2
VR4001	POT.	4.7k			EVN-5ESX50BQ3	J51811472		1-	A	B5
VR4002	POT.	470			EVN-5ESX50BQ2	J51811471		1-	A	B5
VR4003	POT.	470			EVN-5ESX50BQ2	J51811471		1-	A	A5
VR4004	POT.	470			EVN-5ESX50BQ2	J51811471		1-	A	D5
VR4005	POT.	470			EVN-5ESX50BQ2	J51811471		1-	A	D5
VR4006	POT.	4.7k			EVN-5ESX50BQ3	J51811472		1-	A	B7
	LEAF SPRING					R0140030		1-		
	LEAF SPRING					R0120250		6-9		

PA-B-UNIT BR00B430D



TO CNTL-UNIT (J5021)

TO AF- TO PS ASSY-

TO CNTL-UNIT-

TO DSP1-

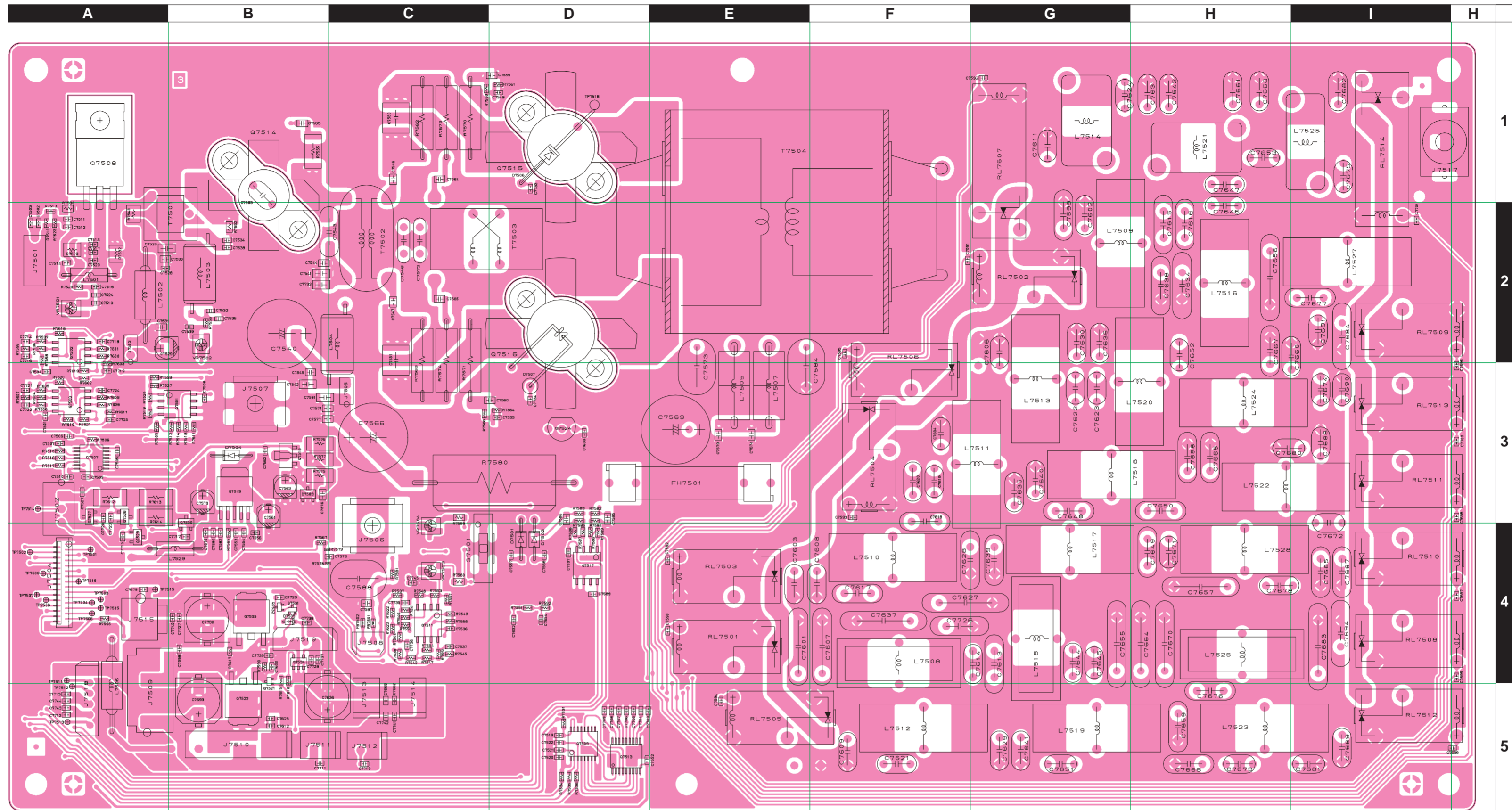
TO DSP2-

TO PC-FIL-

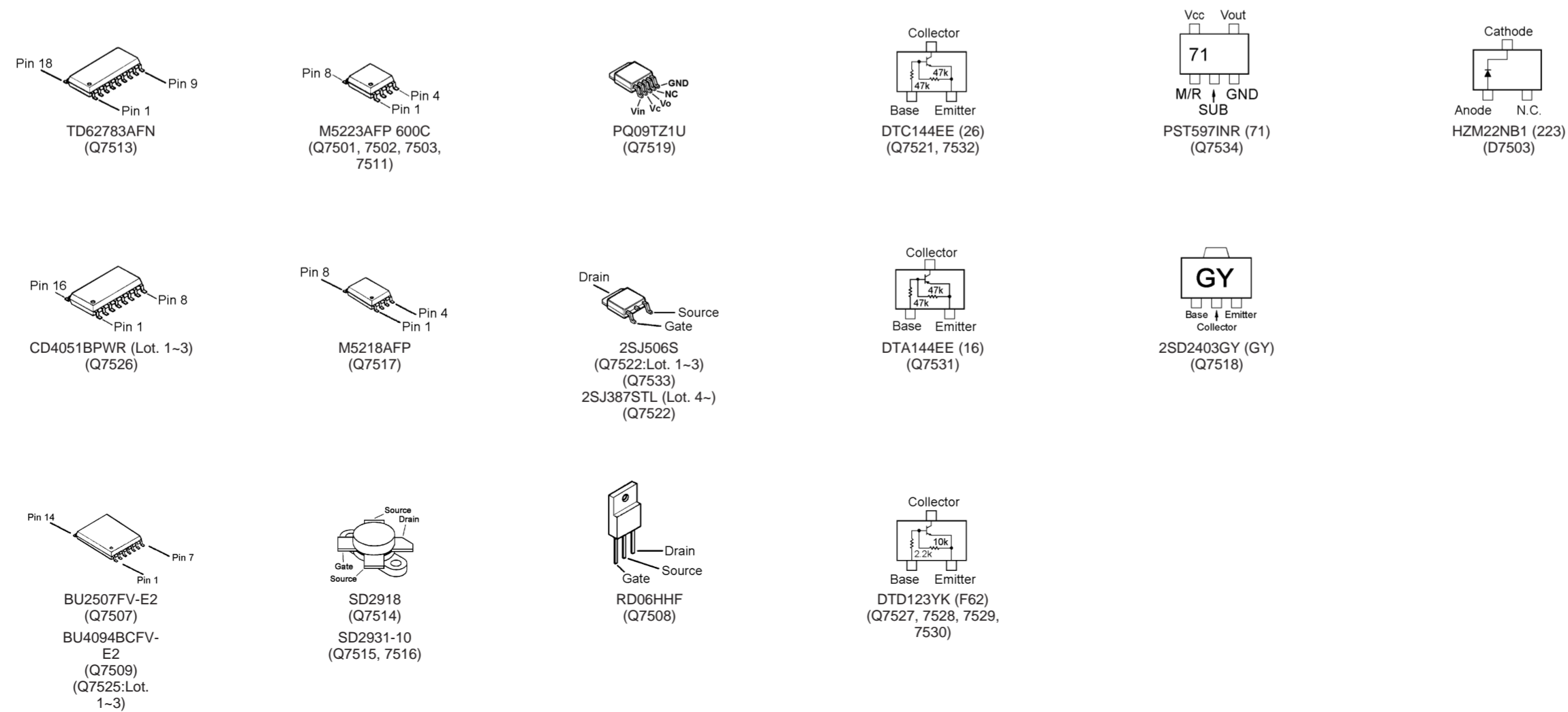
TO AF-UNIT-

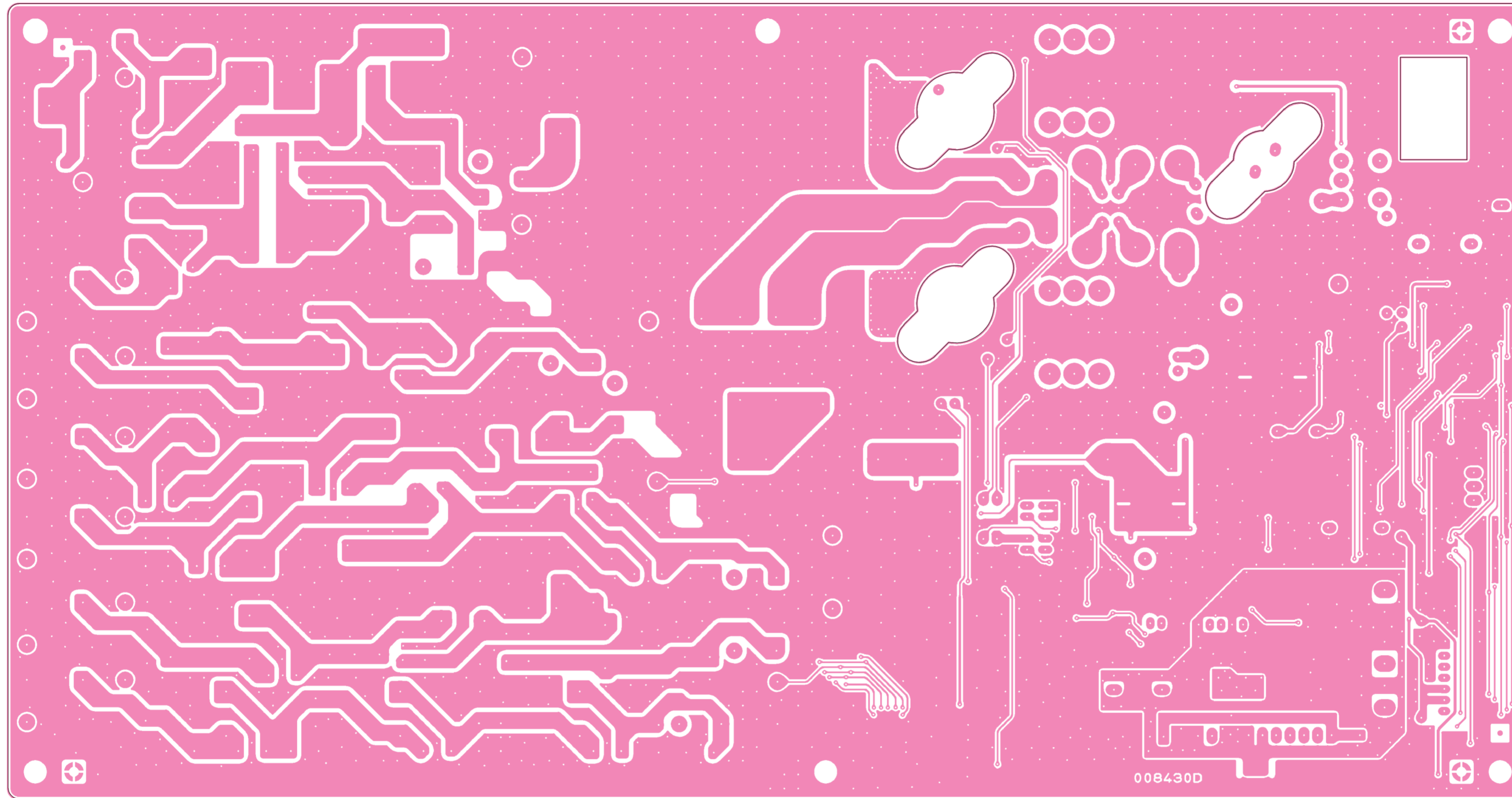
*PA-B Unit (D, Contest Type)*

*Note*



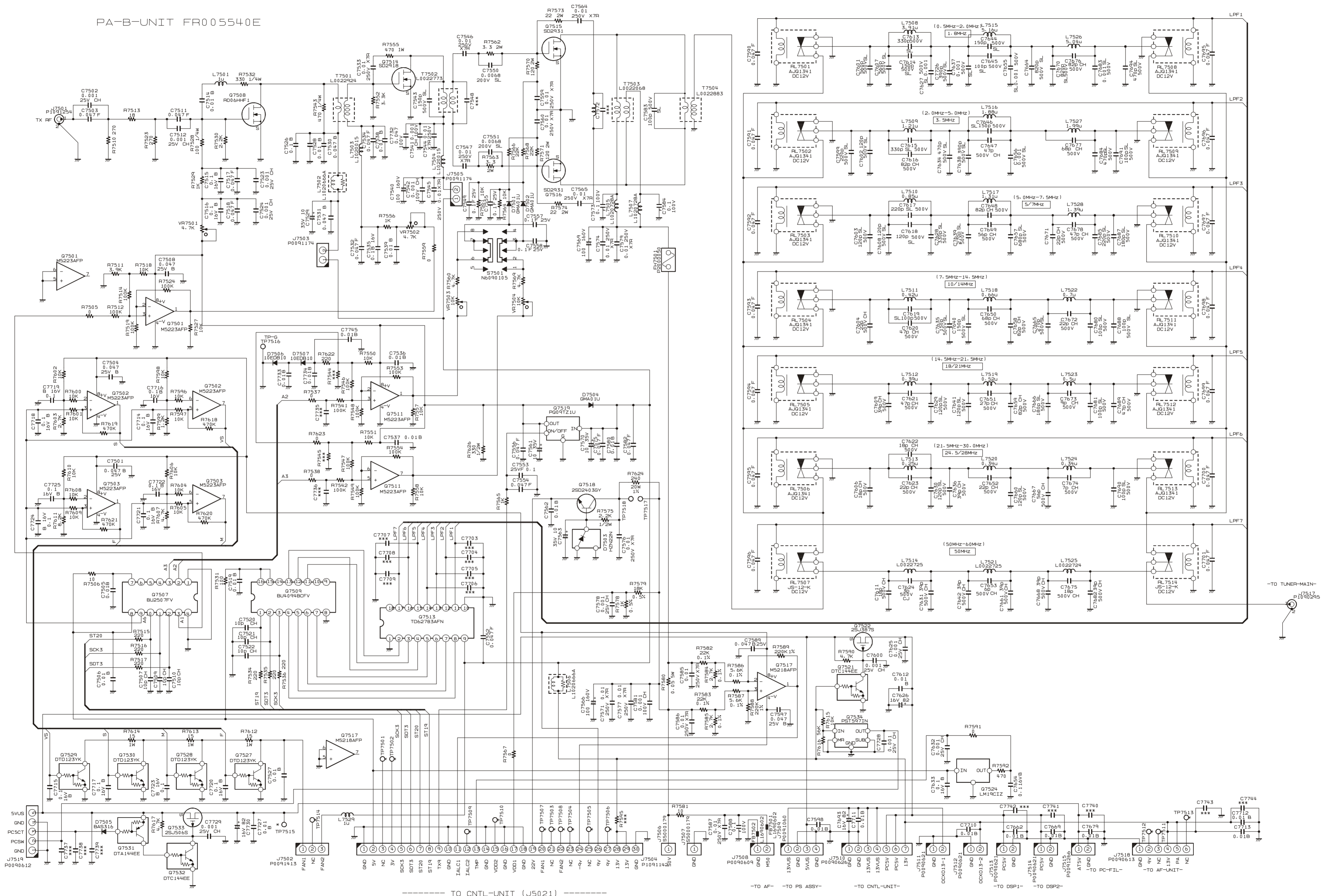
Side A





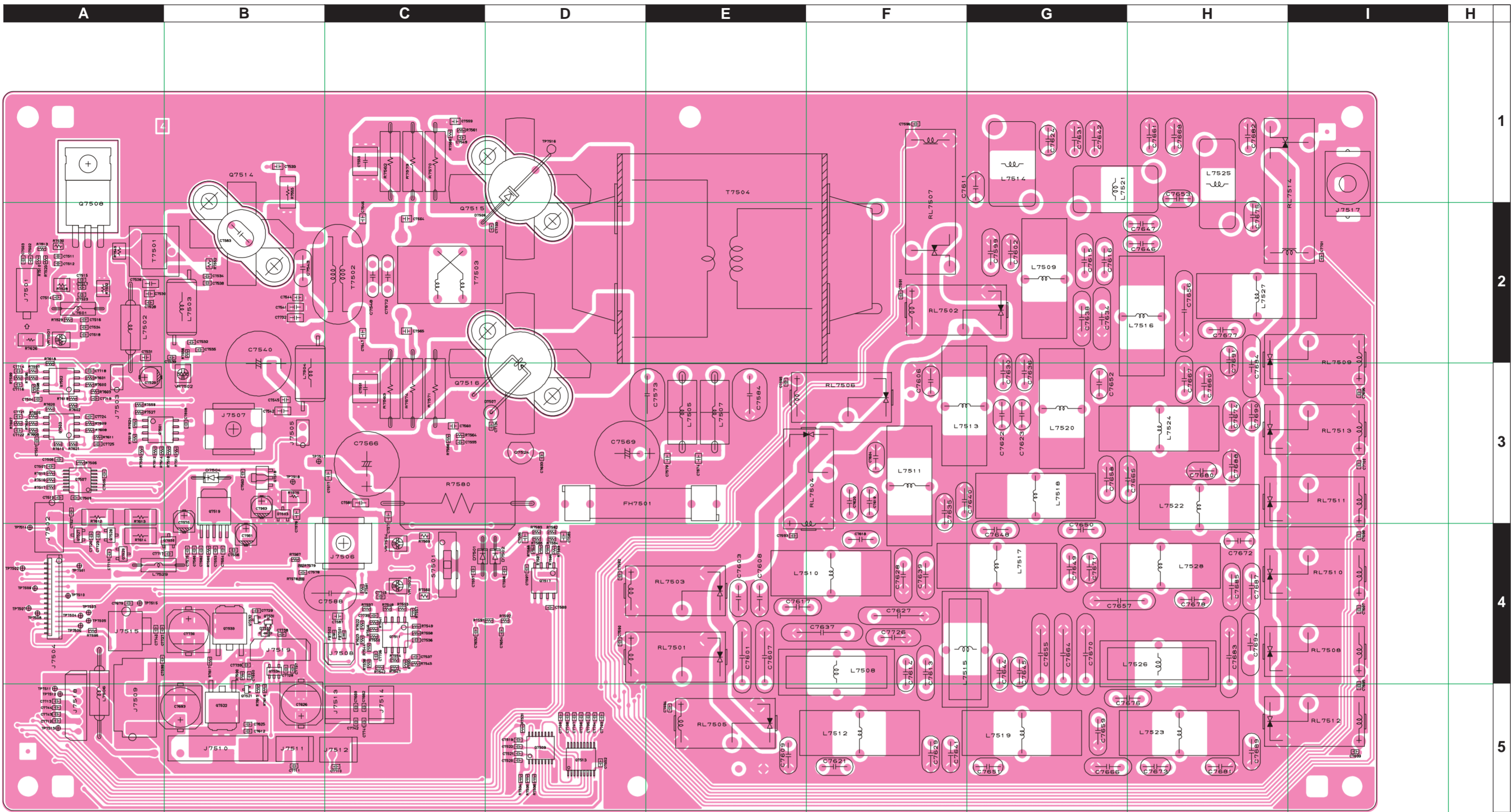
Side B

PA-B-UNIT FR005540E

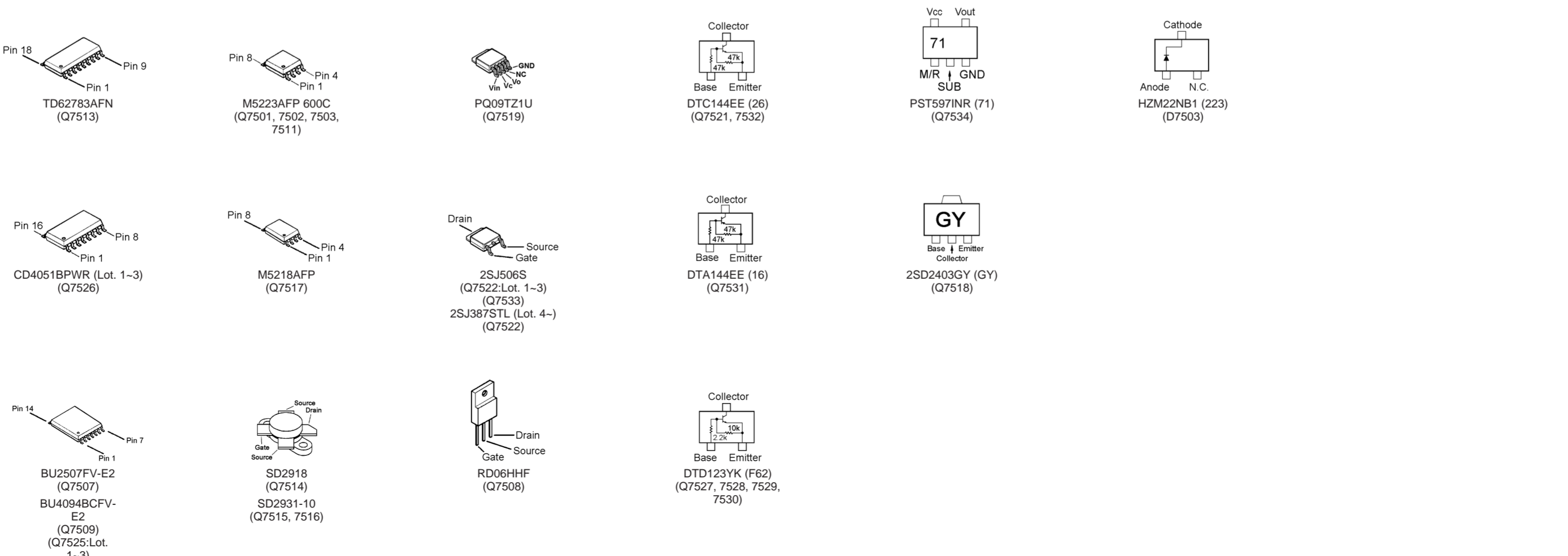


*PA-B Unit (D, Contest Type)*

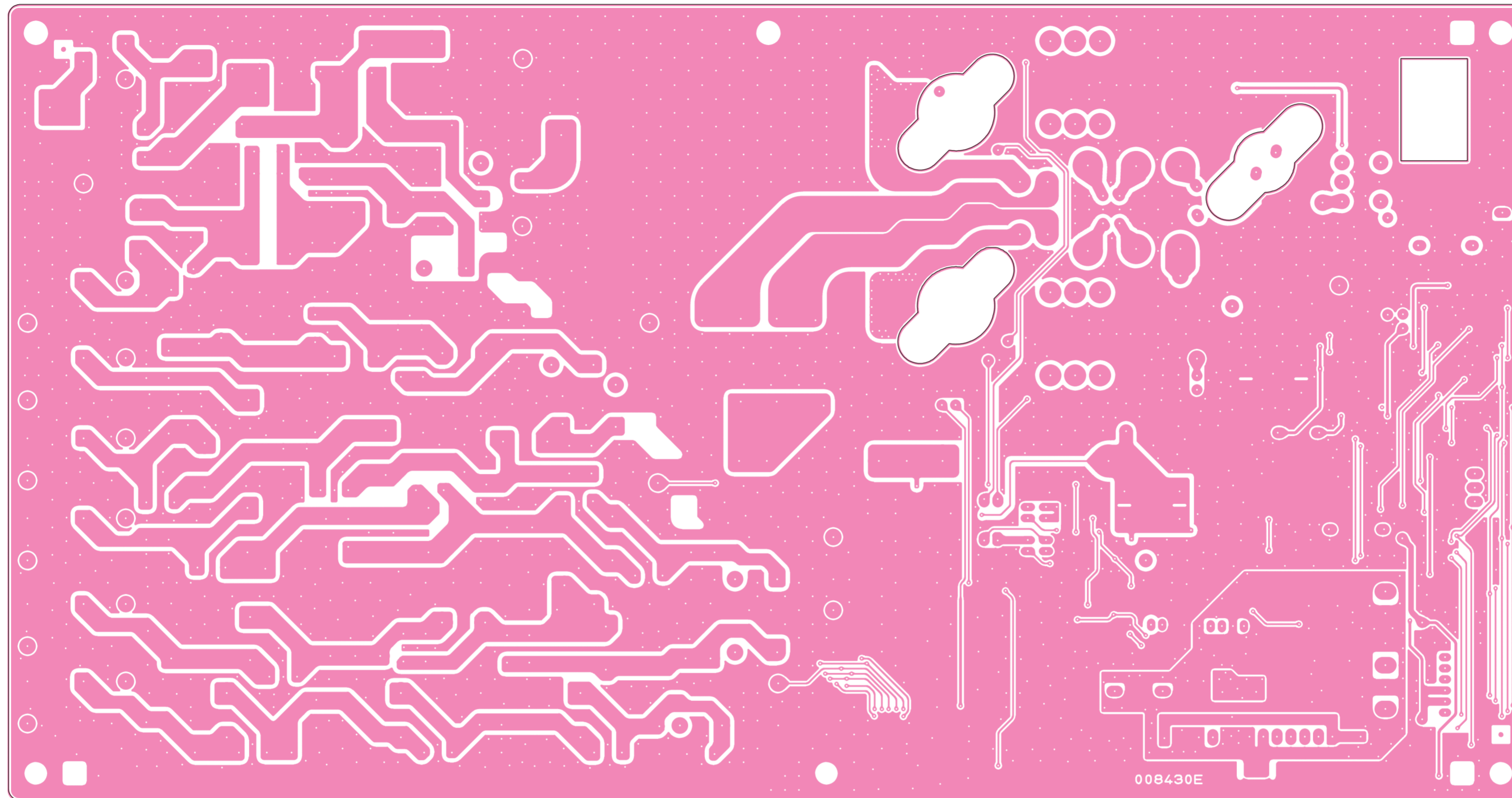
*Note*



Side A







Side B

# PA-B Unit (D, Contest Type)

## Parts List

REF	DESCRIPTION	VALUE	V/W	TOL.	MFR'S DESIG	VXSTD P/N	VERS.	LOT	SIDE	LAY ADR
PCB with Components						CS1855001				
Printed Circuit Board						FR008430D		1-		
						FR008430E		47-		
C 7501	CHIP CAP.	0.047uF	16V	B	GRM39B473K16PT	K22124804		1-	A	A3
C 7501	CHIP CAP.	0.047uF	25V	B	GRM188B11E473KA01D	K22144811		27-	A	A3
C 7502	CHIP CAP.	0.001uF	25V	CH	GRM1882C1E102JA01D	K22144204		1-	A	A2
C 7503	CHIP CAP.	0.047uF	25V	F	GRM39F473Z25PT	K22145002		1-	A	A2
C 7503	CHIP CAP.	0.047uF	50V	F	GRM188F11H473ZA01D	K22175001		27-	A	A2
C 7504	CHIP CAP.	0.047uF	16V	B	GRM39B473K16PT	K22124804		1-	A	A3
C 7504	CHIP CAP.	0.047uF	25V	B	GRM188B11E473KA01D	K22144811		27-	A	A3
C 7505	CHIP CAP.	0.01uF	50V	B	GRM188B11H103KA01D	K22174823		1-	A	A3
C 7506	CHIP CAP.	0.01uF	50V	B	GRM188B11H103KA01D	K22174823		1-	A	A3
C 7507	CHIP CAP.	10pF	50V	CH	GRM1882C1H100JA01D	K22174211		1-	A	A3
C 7508	CHIP CAP.	0.047uF	16V	B	GRM39B473K16PT	K22124804		1-	A	B3
C 7508	CHIP CAP.	0.047uF	25V	B	GRM188B11E473KA01D	K22144811		27-	A	B3
C 7509	CHIP CAP.	10pF	50V	CH	GRM1882C1H100JA01D	K22174211		1-	A	A3
C 7510	CHIP CAP.	10pF	50V	CH	GRM1882C1H100JA01D	K22174211		1-	A	A3
C 7511	CHIP CAP.	0.047uF	25V	F	GRM39F473Z25PT	K22145002		1-	A	A2
C 7511	CHIP CAP.	0.047uF	50V	F	GRM188F11H473ZA01D	K22175001		27-	A	A2
C 7512	CHIP CAP.	0.001uF	25V	CH	GRM1882C1E102JA01D	K22144204		1-	A	A2
C 7514	CHIP CAP.	0.01uF	50V	B	GRM188B11H103JA01D	K22174824		1-	A	A2
C 7515	CHIP CAP.	0.1uF	16V	B	GRM188B11C104KA01D	K22124805		1-	A	A2
C 7516	CHIP CAP.	0.1uF	16V	B	GRM188B11C104KA01D	K22124805		1-	A	A2
C 7517	CHIP CAP.	0.047uF	25V	F	GRM39F473Z25PT	K22145002		1-	A	A2
C 7517	CHIP CAP.	0.047uF	50V	F	GRM188F11H473ZA01D	K22175001		27-	A	A2
C 7518	CHIP CAP.	0.047uF	25V	F	GRM39F473Z25PT	K22145002		1-	A	A2
C 7518	CHIP CAP.	0.047uF	50V	F	GRM188F11H473ZA01D	K22175001		27-	A	A2
C 7519	CHIP CAP.	0.01uF	50V	B	GRM188B11H103KA01D	K22174823		1-	A	D5
C 7520	CHIP CAP.	10pF	50V	CH	GRM1882C1H100JA01D	K22174211		1-	A	D5
C 7521	CHIP CAP.	10pF	50V	CH	GRM1882C1H100JA01D	K22174211		1-	A	D5
C 7522	CHIP CAP.	10pF	50V	CH	GRM1882C1H100JA01D	K22174211		1-	A	D5
C 7523	CHIP CAP.	0.001uF	25V	CH	GRM1882C1E102JA01D	K22144204		1-	A	A2
C 7524	CHIP CAP.	0.001uF	25V	CH	GRM1882C1E102JA01D	K22144204		1-	A	A2
C 7526	CHIP CAP.	0.1uF	50V	B	GRM42-6B104K50PT	K22171820		1-	A	A2
C 7527	CHIP CAP.	0.01uF	50V	B	GRM188B11H103KA01D	K22174823		1-1	A	A3
C 7527	CHIP CAP.	0.01uF	50V	B	GRM188B11H103KA01D	K22174823		4-	A	A3
C 7528	CHIP CAP.	0.01uF	50V	B	GRM188B11H103JA01D	K22174824		1-	A	A2
C 7529	AL.ELECTRO.CAP.	10uF	35V		ECEV1VA100WR	K48160004		1-	A	A2
C 7529	AL.ELECTRO.CAP.	10uF	35V		EEE1VA100WR	K48160006		9-	A	A2
C 7530	CHIP CAP.	0.047uF	50V	B	GRM21BB11H473KA01L	K22170823		1-	A	A2
C 7531	CHIP CAP.	0.047uF	50V	B	GRM21BB11H473KA01L	K22170823		1-	A	A2
C 7532	CHIP CAP.	0.047uF	25V	F	GRM39F473Z25PT	K22145002		1-	A	B2
C 7532	CHIP CAP.	0.047uF	50V	F	GRM188F11H473ZA01D	K22175001		27-	A	B2
C 7533	CHIP CAP.	0.01uF	50V	B	GRM188B11H103JA01D	K22174824		1-	A	B1
C 7533	CHIP CAP.	0.01uF	250V	X7R	GRM21BR72E103KW03L	K22240801		2-	A	B1
C 7534	CHIP CAP.	0.047uF	25V	F	GRM39F473Z25PT	K22145002		1-	A	B2
C 7534	CHIP CAP.	0.047uF	50V	F	GRM188F11H473ZA01D	K22175001		27-	A	B2
C 7535	CHIP CAP.	0.1uF	16V	B	GRM188B11C104KA01D	K22124805		1-	A	B2
C 7536	CHIP CAP.	0.01uF	50V	B	GRM188B11H103KA01D	K22174823		1-	A	C4
C 7537	CHIP CAP.	0.01uF	50V	B	GRM188B11H103KA01D	K22174823		1-	A	C4
C 7538	CHIP CAP.	0.01uF	50V	B	GRM188B11H103JA01D	K22174824		1-	A	B2
C 7539	CHIP CAP.	0.01uF	50V	B	GRM188B11H103JA01D	K22174824		1-	A	B2
C 7540	AL.ELECTRO.CAP.	100uF	160V		RE3-160V101MI6#	K40229001		1-	A	B2
C 7541	CHIP CAP.	0.001uF	100V	CH	GRM31M2C2A102JZ01L	K22201202		1-	A	B2
C 7542	CHIP CAP.	0.001uF	100V	CH	GRM31M2C2A102JZ01L	K22201202		1-	A	B3
C 7543	CERAMIC CAP.	220pF	500V	SL	RT-HM95SKSL221J	K26270061		1-	A	C2
C 7543	CERAMIC CAP.	150pF	500V	SL	RT-HM74SKSL151J	K26270059		46-	A	C2
C 7544	CHIP CAP.	0.01uF	250V	X7R	GRM21BR72E103KW03L	K22240801		1-	A	B2
C 7545	CHIP CAP.	0.01uF	250V	X7R	GRM21BR72E103KW03L	K22240801		1-	A	B3
C 7546	CHIP CAP.	0.01uF	250V	X7R	GRM21BR72E103KW03L	K22240801		1-	A	C1
C 7547	CHIP CAP.	0.01uF	250V	X7R	GRM21BR72E103KW03L	K22240801		1-	A	C2
C 7549	CHIP CAP.	0.1uF	25V	F	GRM188F11E104ZA01D	K22145001		1-	A	D1
C 7550	CERAMIC CAP.	0.0068uF	200V	SL	GRM55R1X2D682JV01L	K22236101		1-	A	C1
C 7551	CERAMIC CAP.	0.0068uF	200V	SL	GRM55R1X2D682JV01L	K22236101		1-	A	C2
C 7552	CHIP CAP.	0.047uF	25V	F	GRM39F473Z25PT	K22145002		1-	A	D5
C 7552	CHIP CAP.	0.047uF	50V	F	GRM188F11H473ZA01D	K22175001		27-	A	D5
C 7553	CHIP CAP.	0.1uF	25V	F	GRM188F11E104ZA01D	K22145001		1-	A	B4
C 7554	CHIP CAP.	0.047uF	25V	F	GRM39F473Z25PT	K22145002		1-	A	B4
C 7554	CHIP CAP.	0.047uF	50V	F	GRM188F11H473ZA01D	K22175001		27-	A	B4
C 7555	CHIP CAP.	0.1uF	25V	F	GRM188F11E104ZA01D	K22145001		1-	A	D3
C 7556	CHIP CAP.	0.047uF	25V	F	GRM39F473Z25PT	K22145002		1-	A	B4
C 7556	CHIP CAP.	0.047uF	50V	F	GRM188F11H473ZA01D	K22175001		27-	A	B4
C 7557	CHIP CAP.	0.1uF	25V	F	GRM188F11E104ZA01D	K22145001		1-	A	D4

# PA-B Unit (D, Contest Type)

## Parts List

REF	DESCRIPTION	VALUE	V/W	TOL.	MFR'S DESIG	VXSTD P/N	VERS.	LOT	SIDE	LAY ADR
C 7558	CHIP CAP.	0.1uF	25V	F	GRM188F11E104ZA01D	K22145001		1-	A	D4
C 7559	CHIP CAP.	0.01uF	250V	X7R	GRM21BR72E103KW03L	K22240801		1-	A	D1
C 7560	CHIP CAP.	0.01uF	250V	X7R	GRM21BR72E103KW03L	K22240801		1-	A	D3
C 7561	AL.ELECTRO.CAP.	10uF	35V		ECEV1VA100WR	K48160004		1-	A	B3
C 7561	AL.ELECTRO.CAP.	10uF	35V		EEE1VA100WR	K48160006		9-	A	B3
C 7562	CHIP CAP.	0.01uF	50V	B	GRM188B11H103JA01D	K22174824		1-	A	B3
C 7563	AL.ELECTRO.CAP.	10uF	35V		ECEV1VA100WR	K48160004		1-	A	B3
C 7563	AL.ELECTRO.CAP.	10uF	35V		EEE1VA100WR	K48160006		9-	A	B3
C 7564	CHIP CAP.	0.01uF	250V	X7R	GRM21BR72E103KW03L	K22240801		1-	A	C1
C 7565	CHIP CAP.	0.01uF	250V	X7R	GRM21BR72E103KW03L	K22240801		1-	A	C2
C 7566	AL.ELECTRO.CAP.	100uF	160V		RE3-160V101MI6#	K40229001		1-	A	C3
C 7569	AL.ELECTRO.CAP.	100uF	160V		RE3-160V101MI6#	K40229001		1-	A	E3
C 7570	AL.ELECTRO.CAP.	10uF	35V		ECEV1VA100WR	K48160004		1-	A	B3
C 7570	AL.ELECTRO.CAP.	10uF	35V		EEE1VA100WR	K48160006		9-	A	B3
C 7571	CHIP CAP.	0.01uF	250V	X7R	GRM21BR72E103KW03L	K22240801		1-	A	B3
C 7573	FILM CAP.	0.1uF	100V		ECQ-B1104JF	K50205104		1-	A	E3
C 7573	FILM CAP.	0.1uF	100V		ECQV1104JM	K52200002		46-	A	E3
C 7574	CHIP CAP.	0.01uF	250V	X7R	GRM21BR72E103KW03L	K22240801		1-	A	E3
C 7575	CHIP CAP.	0.047uF	25V	F	GRM39F473Z25PT	K22145002		1-	A	B4
C 7575	CHIP CAP.	0.047uF	50V	F	GRM188F11H473ZA01D	K22175001		27-	A	B4
C 7576	CHIP CAP.	0.01uF	250V	X7R	GRM21BR72E103KW03L	K22240801		1-	A	B3
C 7577	CHIP CAP.	0.01uF	250V	X7R	GRM21BR72E103KW03L	K22240801		1-	A	B3
C 7578	CHIP CAP.	0.001uF	25V	CH	GRM1882C1E102JA01D	K22144204		1-	A	C4
C 7579	CHIP CAP.	0.01uF	250V	X7R	GRM21BR72E103KW03L	K22240801		1-	A	E3
C 7580	CHIP CAP.	0.01uF	50V	B	GRM188B11H103JA01D	K22174824		1-	A	B4
C 7581	CHIP CAP.	0.001uF	100V	CH	GRM31M2C2A102JZ01L	K22201202		1-	A	B3
C 7582	CHIP CAP.	0.047uF	25V	F	GRM39F473Z25PT	K22145002		1-	A	B4
C 7582	CHIP CAP.	0.047uF	50V	F	GRM188F11H473ZA01D	K22175001		27-	A	B4
C 7583	CERAMIC CAP.	100pF	500V	SL	RT-HM60SKSL101J	K26270057		1-	A	B2
C 7584	FILM CAP.	0.1uF	100V		ECQ-B1104JF	K50205104		1-	A	E3
C 7584	FILM CAP.	0.1uF	100V		ECQV1104JM	K52200002		46-	A	E3
C 7585	CHIP CAP.	0.01uF	250V	X7R	GRM21BR72E103KW03L	K22240801		1-	A	D3
C 7586	CHIP CAP.	0.01uF	250V	X7R	GRM21BR72E103KW03L	K22240801		1-	A	D3
C 7587	CHIP CAP.	0.01uF	250V	X7R	GRM21BR72E103KW03L	K22240801		1-	A	C4
C 7588	FILM CAP.	0.1uF	100V		ECQ-B1104JF	K50205104		1-	A	C4
C 7588	FILM CAP.	0.1uF	100V		ECQV1104JM	K52200002		46-	A	C4
C 7589	CHIP CAP.	0.047uF	16V	B	GRM39B473K16PT	K22124804		1-	A	D4
C 7589	CHIP CAP.	0.047uF	25V	B	GRM188B11E473KA01D	K22144811		27-	A	D4
C 7590	CHIP CAP.	0.047uF	25V	F	GRM39F473Z25PT	K22145002		1-	A	E4
C 7590	CHIP CAP.	0.047uF	50V	F	GRM188F11H473ZA01D	K22175001		27-	A	E4
C 7591	CHIP CAP.	0.047uF	25V	F	GRM39F473Z25PT	K22145002		1-	A	F2
C 7591	CHIP CAP.	0.047uF	50V	F	GRM188F11H473ZA01D	K22175001		27-	A	F2
C 7592	CHIP CAP.	0.047uF	25V	F	GRM39F473Z25PT	K22145002		1-	A	E4
C 7592	CHIP CAP.	0.047uF	50V	F	GRM188F11H473ZA01D	K22175001		27-	A	E4
C 7593	CHIP CAP.	0.047uF	25V	F	GRM39F473Z25PT	K22145002		1-	A	F3
C 7593	CHIP CAP.	0.047uF	50V	F	GRM188F11H473ZA01D	K22175001		27-	A	F3
C 7594	CHIP CAP.	0.047uF	25V	F	GRM39F473Z25PT	K22145002		1-	A	E5
C 7594	CHIP CAP.	0.047uF	50V	F	GRM188F11H473ZA01D	K22175001		27-	A	E5
C 7595	CHIP CAP.	0.047uF	25V	F	GRM39F473Z25PT	K22145002		1-	A	F2
C 7595	CHIP CAP.	0.047uF	50V	F	GRM188F11H473ZA01D	K22175001		27-	A	F2
C 7596	CHIP CAP.	0.047uF	25V	F	GRM39F473Z25PT	K22145002		1-	A	G1
C 7596	CHIP CAP.	0.047uF	50V	F	GRM188F11H473ZA01D	K22175001		27-	A	G1
C 7597	CHIP CAP.	0.047uF	16V	B	GRM39B473K16PT	K22124804		1-	A	D4
C 7597	CHIP CAP.	0.047uF	25V	B	GRM188B11E473KA01D	K22144811		27-	A	D4
C 7598	CHIP CAP.	0.01uF	50V	B	GRM188B11H103KA01D	K22174823		1-	A	B4
C 7599	CERAMIC CAP.	220pF	500V	SL	RT-HM95SKSL221J	K26270061		1-	A	G1
C 7600	CHIP CAP.	0.001uF	25V	CH	GRM1882C1E102JA01D	K22144204		1-	A	B4
C 7601	CERAMIC CAP.	560pF	500V	SL	HM15SJSLS561J	K00279025		1-	A	E4
C 7602	CERAMIC CAP.	120pF	500V	SL	RT-HM74SKSL121J	K26270058		1-	A	G1
C 7603	CERAMIC CAP.	120pF	500V	SL	RT-HM74SKSL121J	K26270058		1-	A	E4
C 7604	CERAMIC CAP.	22pF	500V	CH	RT-HM60SKCH220J	K26270155		1-	A	F3
C 7606	CERAMIC CAP.	18pF	500V	CH	RT-HM60SKCH180J	K26270154		1-	A	G2
C 7607	CERAMIC CAP.	560pF	500V	SL	HM15SJSLS561J	K00279025		1-	A	F4
C 7608	CERAMIC CAP.	120pF	500V	SL	RT-HM74SKSL121J	K26270058		1-	A	F4
C 7609	CERAMIC CAP.	39pF	500V	CH	RT-HM74SKCH390J	K26270158		1-	A	F5
C 7611	CERAMIC CAP.	18pF	500V	CH	RT-HM60SKCH180J	K26270154		1-	A	G1
C 7612	CHIP CAP.	0.01uF	50V	B	GRM188B11H103KA01D	K22174823		1-	A	B5
C 7613	CERAMIC CAP.	330pF	500V	SL	RT-HM11SKSL331J	K26270063		1-	A	G4
C 7614	CERAMIC CAP.	150pF	500V	SL	RT-HM74SKSL151J	K26270059		1-	A	G4
C 7615	CERAMIC CAP.	330pF	500V	SL	RT-HM11SKSL331J	K26270063		1-	A	H2
C 7616	CERAMIC CAP.	82pF	500V	CH	RT-HM95SKCH820J	K26270162		1-	A	H2
C 7617	CERAMIC CAP.	220pF	500V	SL	RT-HM95SKSL221J	K26270061		1-	A	F4
C 7618	CERAMIC CAP.	68pF	500V	CH	RT-HM95SKCH680J	K26270161		1-15	A	F3

# PA-B Unit (D, Contest Type)

## Parts List

REF	DESCRIPTION	VALUE	V/W	TOL.	MFR'S DESIG	VXSTD P/N	VERS.	LOT	SIDE	LAY ADR
C 7618	CERAMIC CAP.	68pF	500V	CH	RT-HM95SKCH680J	K26270161		16-	A	F3
C 7619	CERAMIC CAP.	100pF	500V	SL	RT-HM60SKSL101J	K26270057		1-	A	F3
C 7620	CERAMIC CAP.	47pF	500V	CH	RT-HM74SKCH470J	K26270159		1-	A	F3
C 7621	CERAMIC CAP.	47pF	500V	CH	RT-HM74SKCH470J	K26270159		1-	A	F5
C 7622	CERAMIC CAP.	18pF	500V	CH	RT-HM60SKCH180J	K26270154		1-	A	G3
C 7623	CERAMIC CAP.	22pF	500V	CH	RT-HM60SKCH220J	K26270155		1-	A	G3
C 7624	CERAMIC CAP.	3pF	500V	CJ	RT-HM60SKCJ030C	K26270144		1-	A	G1
C 7625	CHIP CAP.	0.001uF	25V	CH	GRM1882C1E102JA01D	K22144204		1-	A	B5
C 7626	AL.ELECTRO.CAP.	82uF	16V		APXA160ARA820MH70G	K48120022		1-	A	B5
C 7627	CERAMIC CAP.	0.001uF	500V	SL	HM17SJSL102J	K00279028		1-	A	F4
C 7628	CERAMIC CAP.	330pF	500V	SL	RT-HM11SKSL331J	K26270063		1-	A	G4
C 7629	CERAMIC CAP.	120pF	500V	SL	RT-HM74SKSL121J	K26270058		1-	A	G5
C 7630	CERAMIC CAP.	120pF	500V	SL	RT-HM74SKSL121J	K26270058		1-	A	G2
C 7631	CERAMIC CAP.	39pF	500V	CH	RT-HM74SKCH390J	K26270158		1-	A	H1
C 7632	CHIP CAP.	0.001uF	25V	CH	GRM1882C1E102JA01D	K22144204		1-	A	D4
C 7633	CHIP CAP.	0.1uF	16V	B	GRM188B11C104KA01D	K22144205		1-	A	D3
C 7634	CERAMIC CAP.	470pF	500V	SL	HM13SJSL471J	K00279024		1-	A	H2
C 7635	CERAMIC CAP.	150pF	500V	SL	RT-HM74SKSL151J	K26270059		1-	A	G3
C 7636	CERAMIC CAP.	39pF	500V	CH	RT-HM74SKCH390J	K26270158		1-	A	G2
C 7637	CERAMIC CAP.	0.001uF	500V	SL	HM17SJSL102J	K00279028		1-	A	F4
C 7638	CERAMIC CAP.	390pF	500V	SL	RT-HM11SKSL391J	K26270064		1-	A	H2
C 7639	CERAMIC CAP.	270pF	500V	SL	RT-HM95SKSL271J	K26270062		1-	A	G4
C 7640	CERAMIC CAP.	150pF	500V	SL	RT-HM74SKSL151J	K26270059		1-	A	G3
C 7641	CERAMIC CAP.	120pF	500V	SL	RT-HM74SKSL121J	K26270058		1-	A	G5
C 7642	CERAMIC CAP.	39pF	500V	CH	RT-HM74SKCH390J	K26270158		1-	A	H1
C 7643	CHIP CAP.	0.01uF	50V	B	GRM188B11H103KA01D	K22174823		1-3		
C 7644	CERAMIC CAP.	150pF	500V	SL	RT-HM74SKSL151J	K26270059		1-	A	G4
C 7645	CERAMIC CAP.	100pF	500V	SL	RT-HM60SKSL101J	K26270057		1-	A	G4
C 7646	CERAMIC CAP.	150pF	500V	SL	RT-HM74SKSL151J	K26270059		1-	A	H2
C 7647	CERAMIC CAP.	47pF	500V	CH	RT-HM74SKCH470J	K26270159		1-	A	H1
C 7648	CERAMIC CAP.	82pF	500V	CH	RT-HM95SKCH820J	K26270162		1-	A	G3
C 7649	CERAMIC CAP.	56pF	500V	CH	RT-HM95SKCH560J	K26270160		1-	A	H4
C 7650	CERAMIC CAP.	68pF	500V	CH	RT-HM95SKCH680J	K26270161		1-	A	H3
C 7651	CERAMIC CAP.	27pF	500V	CH	RT-HM60SKCH270J	K26270156		1-	A	G5
C 7652	CERAMIC CAP.	22pF	500V	CH	RT-HM60SKCH220J	K26270155		1-	A	H2
C 7653	CERAMIC CAP.	6pF	500V	CH	RT-HM60SKCH060D	K26270147		1-	A	H1
C 7654	CHIP CAP.	0.1uF	16V	B	GRM188B11C104KA01D	K22124805		1-	A	D4
C 7655	CERAMIC CAP.	0.001uF	500V	SL	HM17SJSL102J	K00279028		1-	A	G4
C 7656	CERAMIC CAP.	0.001uF	500V	SL	HM17SJSL102J	K00279028		1-	A	H2
C 7657	CERAMIC CAP.	680pF	500V	SL	HM15SJSL681J	K00279026		1-	A	H4
C 7658	CERAMIC CAP.	82pF	500V	CH	RT-HM95SKCH820J	K26270162		1-	A	H3
C 7659	CERAMIC CAP.	82pF	500V	CH	RT-HM95SKCH820J	K26270162		1-	A	H5
C 7660	CERAMIC CAP.	120pF	500V	SL	RT-HM74SKSL121J	K26270058		1-	A	I2
C 7661	CERAMIC CAP.	39pF	500V	CH	RT-HM74SKCH390J	K26270158		1-	A	H1
C 7662	CHIP CAP.	0.01uF	50V	B	GRM188B11H103KA01D	K22174823		1-	A	C5
C 7663	CHIP CAP.	0.01uF	50V	B	GRM188B11H103KA01D	K22174823		1-3		
C 7664	CERAMIC CAP.	820pF	500V	SL	HM17SJSL821J	K00279027		1-	A	H4
C 7665	CERAMIC CAP.	270pF	500V	SL	RT-HM95SKSL271J	K26270062		1-	A	H3
C 7666	CERAMIC CAP.	180pF	500V	SL	RT-HM95SKSL181J	K26270060		1-	A	H5
C 7667	CERAMIC CAP.	56pF	500V	CH	RT-HM95SKCH560J	K26270160		1-	A	H2
C 7668	CERAMIC CAP.	39pF	500V	CH	RT-HM74SKCH390J	K26270158		1-	A	H1
C 7669	CHIP CAP.	0.01uF	50V	B	GRM188B11H103KA01D	K22174823		1-	A	C5
C 7670	CERAMIC CAP.	820pF	500V	SL	HM17SJSL821J	K00279027		1-	A	H4
C 7671	CERAMIC CAP.	22pF	500V	CH	RT-HM60SKCH220J	K26270155		1-	A	H4
C 7672	CERAMIC CAP.	22pF	500V	CH	RT-HM60SKCH220J	K26270155		1-	A	I4
C 7673	CERAMIC CAP.	9pF	500V	CH	RT-HM60SKCH090D	K26270150		1-	A	H5
C 7674	CERAMIC CAP.	7pF	500V	CH	RT-HM60SKCH070D	K26270148		1-	A	I3
C 7675	CERAMIC CAP.	18pF	500V	CH	RT-HM60SKCH180J	K26270154		1-	A	I1
C 7676	CERAMIC CAP.	82pF	500V	CH	RT-HM95SKCH820J	K26270162		1-	A	H5
C 7677	CERAMIC CAP.	68pF	500V	CH	RT-HM95SKCH680J	K26270161		1-	A	I2
C 7678	CERAMIC CAP.	47pF	500V	CH	RT-HM74SKCH470J	K26270159		1-	A	H4
C 7679	CHIP CAP.	0.01uF	50V	B	GRM188B11H103KA01D	K22174823		1-	A	A4
C 7680	CERAMIC CAP.	100pF	500V	SL	RT-HM60SKSL101J	K26270057		1-	A	H3
C 7681	CERAMIC CAP.	100pF	500V	SL	RT-HM60SKSL101J	K26270057		1-	A	I5
C 7682	CERAMIC CAP.	39pF	500V	CH	RT-HM74SKCH390J	K26270158		1-	A	I1
C 7683	CERAMIC CAP.	0.001uF	500V	SL	HM17SJSL102J	K00279028		1-	A	I4
C 7684	CERAMIC CAP.	470pF	500V	SL	HM13SJSL471J	K00279024		1-	A	I2
C 7685	CERAMIC CAP.	220pF	500V	SL	RT-HM95SKSL221J	K26270061		1-	A	I4
C 7686	CHIP CAP.	0.001uF	25V	CH	GRM1882C1E102JA01D	K22144204		1-3		
C 7687	CERAMIC CAP.	180pF	500V	SL	RT-HM95SKSL181J	K26270060		1-	A	I4
C 7688	CERAMIC CAP.	100pF	500V	SL	RT-HM60SKSL101J	K26270057		1-	A	I3
C 7689	CERAMIC CAP.	47pF	500V	CH	RT-HM74SKCH470J	K26270159		1-	A	I5
C 7690	CERAMIC CAP.	100pF	500V	SL	RT-HM60SKSL101J	K26270057		1-	A	I3

# PA-B Unit (D, Contest Type)

## Parts List

REF	DESCRIPTION	VALUE	V/W	TOL.	MFR'S DESIG	VXSTD P/N	VERS.	LOT	SIDE	LAY ADR
C 7691	CERAMIC CAP.	100pF	500V	SL	RT-HM60SKSL101J	K26270057		1-	A	I2
C 7692	CHIP CAP.	0.01uF	50V	B	GRM188B11H103KA01D	K22174823		1-3		
C 7693	AL.ELECTRO.CAP.	82uF	16V		APXA160ARA820MH70G	K48120022		1-	A	B5
C 7694	CERAMIC CAP.	470pF	500V	SL	HM13SJSJL471J	K00279024		1-	A	I4
C 7695	CHIP CAP.	0.047uF	25V	F	GRM39F473Z25PT	K22145002		1-	A	J4
C 7695	CHIP CAP.	0.047uF	50V	F	GRM188F11H473ZA01D	K22175001		27-	A	J4
C 7696	CHIP CAP.	0.047uF	25V	F	GRM39F473Z25PT	K22145002		1-	A	J3
C 7696	CHIP CAP.	0.047uF	50V	F	GRM188F11H473ZA01D	K22175001		27-	A	J3
C 7697	CHIP CAP.	0.047uF	25V	F	GRM39F473Z25PT	K22145002		1-	A	J4
C 7697	CHIP CAP.	0.047uF	50V	F	GRM188F11H473ZA01D	K22175001		27-	A	J4
C 7698	CHIP CAP.	0.047uF	25V	F	GRM39F473Z25PT	K22145002		1-	A	J3
C 7698	CHIP CAP.	0.047uF	50V	F	GRM188F11H473ZA01D	K22175001		27-	A	J3
C 7699	CHIP CAP.	0.047uF	25V	F	GRM39F473Z25PT	K22145002		1-	A	J5
C 7699	CHIP CAP.	0.047uF	50V	F	GRM188F11H473ZA01D	K22175001		27-	A	J5
C 7700	CHIP CAP.	0.047uF	25V	F	GRM39F473Z25PT	K22145002		1-	A	J3
C 7700	CHIP CAP.	0.047uF	50V	F	GRM188F11H473ZA01D	K22175001		27-	A	J3
C 7701	CHIP CAP.	0.047uF	25V	F	GRM39F473Z25PT	K22145002		1-	A	I2
C 7701	CHIP CAP.	0.047uF	50V	F	GRM188F11H473ZA01D	K22175001		27-	A	I2
C 7710	CHIP CAP.	0.01uF	50V	B	GRM188B11H103KA01D	K22174823		1-	A	C5
C 7711	CHIP CAP.	0.01uF	50V	B	GRM188B11H103KA01D	K22174823		1-	A	B5
C 7712	CHIP CAP.	0.01uF	50V	B	GRM188B11H103KA01D	K22174823		1-	A	A5
C 7713	CHIP CAP.	0.01uF	50V	B	GRM188B11H103KA01D	K22174823		1-	A	A5
C 7714	CHIP CAP.	0.1uF	16V	B	GRM188B11C104KA01D	K22124805		1-	A	A2
C 7715	CHIP CAP.	0.1uF	16V	B	GRM188B11C104KA01D	K22124805		1-	A	A4
C 7716	CHIP CAP.	0.1uF	16V	B	GRM188B11C104KA01D	K22124805		1-	A	A2
C 7717	CHIP CAP.	0.1uF	16V	B	GRM188B11C104KA01D	K22124805		1-	A	B4
C 7718	CHIP CAP.	0.1uF	16V	B	GRM188B11C104KA01D	K22124805		1-	A	A2
C 7719	CHIP CAP.	0.1uF	16V	B	GRM188B11C104KA01D	K22124805		1-	A	A3
C 7720	CHIP CAP.	0.1uF	16V	B	GRM188B11C104KA01D	K22124805		1-	A	A3
C 7721	CHIP CAP.	0.1uF	16V	B	GRM188B11C104KA01D	K22124805		1-	A	A3
C 7722	CHIP CAP.	0.1uF	16V	B	GRM188B11C104KA01D	K22124805		1-	A	A3
C 7723	CHIP CAP.	0.1uF	16V	B	GRM188B11C104KA01D	K22124805		1-	A	A3
C 7724	CHIP CAP.	0.1uF	16V	B	GRM188B11C104KA01D	K22124805		1-	A	A3
C 7725	CHIP CAP.	0.1uF	16V	B	GRM188B11C104KA01D	K22124805		1-	A	A3
C 7726	CERAMIC CAP.	390pF	500V	SL	RT-HM11SKSL391J	K26270064		1-	A	G4
C 7727	CHIP CAP.	0.01uF	50V	B	GRM188B11H103KA01D	K22174823		1-	A	B4
C 7728	CHIP CAP.	0.001uF	25V	CH	GRM1882C1E102JA01D	K22144204		1-	A	B4
C 7729	CHIP CAP.	0.001uF	25V	CH	GRM1882C1E102JA01D	K22144204		1-	A	B4
C 7730	AL.ELECTRO.CAP.	82uF	16V		APXA160ARA820MH70G	K48120022		1-	A	B4
C 7731	AL.ELECTRO.CAP.	1uF	50V		ECEV1HS010SR	K48170001		1-3		
C 7732	CHIP CAP.	0.047uF	100V	X7R	GRM31MR72A473KA01L	K22201801		2-	A	B2
C 7733	CHIP CAP.	0.01uF	50V	B	GRM188B11H103KA01D	K22174823		4-	A	D1
C 7734	CHIP CAP.	0.01uF	50V	B	GRM188B11H103KA01D	K22174823		4-	A	D3
C 7745	CHIP CAP.	0.01uF	50V	B	GRM188B11H103KA01D	K22174823		4-	A	C4
C 7746	CERAMIC CAP.	0.01uF	16V	Y	EP050Y103N-A	K28129001		3		
C 7747	CERAMIC CAP.	0.01uF	16V	Y	EP050Y103N-A	K28129001		3		
D 7501	DIODE				GMA01U-BT	G2060023		1-	A	D3
D 7502	DIODE				GMA01U-BT	G2060023		1-	A	D3
D 7503	DIODE				HZM22NB1 TR-E	G2071052		1-	A	B3
D 7504	DIODE				GMA01U-BT	G2060023		1-	A	B3
D 7505	DIODE				BAS316	G2070716		1-	A	B4
D 7506	DIODE				10EDB10	G2090781		3-	A	D1
D 7507	DIODE				10EDB10	G2090781		3-	A	D3
F 7501	FUSE	15A			FGBO 250V 15A	Q0000121		1-		
F 7501	FUSE	15A			61NR150H 250V 15A	Q0000158		38-		
FB7501	FERRITE BEADS				BLM18BD182SN1D	L1690602		4-	A	C4
FB7502	FERRITE BEADS				BLM18BD182SN1D	L1690602		4-	A	C4
FH7501	FUSE CLIP				PFC6000-0202	P2000050		1-	A	D3
J 7501	CONNECTOR				TMP-J01X-A2	P1090255		1-	A	A2
J 7501	CONNECTOR				TMP-S01X-C1	P1091254		5-	A	A2
J 7502	CONNECTOR				SC25-03WS	P0090622		1	A	A3
J 7502	CONNECTOR				B3B-XH-A(LF)(SN)	P0091413		2-	A	A3
J 7503	CONNECTOR				IMSA-9202B-1-02-T	P0091174		1-	A	A2
J 7504	CONNECTOR				30FLT-SM2-TB(LF)(SN)(M)	P1091142		1-	A	A4
J 7505	CONNECTOR				IMSA-9202B-1-02-T	P0091174		1-	A	C3
J 7506	TERMINAL				Y106	S5000179		1-	A	C4
J 7507	TERMINAL				Y106	S5000179		1-	A	B3
J 7508	CONNECTOR				SB20-02WS	P0090609		1-	A	C4
J 7509	CONNECTOR				B4P-VH(LF)(SN)	P0091060		1-	A	A5
J 7510	CONNECTOR				SC25-07WS	P0090626		1-	A	B5
J 7511	CONNECTOR				SC25-02WS	P0090621		1-	A	B5
J 7512	CONNECTOR				SC25-02WS	P0090621		1-	A	C5
J 7513	CONNECTOR				SC25-02WS	P0090621		1-	A	C5

# PA-B Unit (D, Contest Type)

## Parts List

REF	DESCRIPTION	VALUE	V/W	TOL.	MFR'S DESIG	VXSTD P/N	VERS.	LOT	SIDE	LAY ADR
J 7514	CONNECTOR				SC25-02WS	P0090621		1-	A	C5
J 7515	CONNECTOR				B2P-VH(LF)(SN)	P0091266		1-	A	A4
J 7516	CONNECTOR				SB20-10WS	P0090617		1-3		
J 7517	CONNECTOR				S-Q3063#01	P1090295		1-	A	I1
J 7517	CONNECTOR				CTP-106E	P1091397		49-	A	I1
J 7518	CONNECTOR				SB20-06WS	P0090613		1-	A	A4
J 7519	CONNECTOR				SB20-05WS	P0090612		1-	A	B4
JP7500	WIRE ASSY				GRN 100 (3)/(3)	T51510012		4-		
JP7501	WIRE ASSY				GRN 100 (3)/(3)	T51510012		4-		
JP7502	WIRE ASSY				GRN 20 2/2	T50502000		3		
JP7503	WIRE ASSY				GRN 65 2/2	T50506500		3		
JP7504	WIRE ASSY				GRN 35 2/2	T50503500		46		
L 7501	M.RFC	1uH			LAL03TA1R0M	L1790083		1-	A	A2
L 7502	RFC A1				43T0.16 4X9CB-20	L1020666A		1-	A	A2
L 7503	RFC WITH BEADS				FB-43-5111	L1020015		1-	A	B2
L 7504	RFC WITH BEADS				FB-43-5111	L1020015		1-3	A	C3
L 7504	RFC WITH BEADS				FB-43-5111	L1020015		46-	A	C3
L 7505	RFC WITH BEADS				3A R15.8X6.4-2	L1020728		1-	A	E3
L 7505	RFC WITH BEADS				3A R15.8X6.4-2	L1020728A		28-	A	E3
L 7506	RFC A1				43T0.16 4X9CB-20	L1020666A		1-	A	A5
L 7507	RFC WITH BEADS				3A R15.8X6.4-2	L1020728		1-	A	E3
L 7507	RFC WITH BEADS				3A R15.8X6.4-2	L1020728A		28-	A	E3
L 7508	TOROIDAL COIL	3.91uH			#223201	L0022898		1-	A	F5
L 7509	TOROIDAL COIL	1.21uH			1.21U T80-2	L0022897A		1-	A	G2
L 7510	TOROIDAL COIL	0.85uH			#223195	L0022892		1-	A	F4
L 7511	TOROIDAL COIL	0.42uH			#223191	L0022888		1-	A	F3
L 7512	TOROIDAL COIL	0.39uH			#223190	L0022887		1-	A	F5
L 7513	TOROIDAL COIL	0.25uH			0.25U T80-6	L0022884A		1-	A	G3
L 7514	COIL A1				3.5T13.0D2.0UEW R	L0022725		1-	A	G1
L 7515	TOROIDAL COIL	5.16uH			#223203	L0022900		1-	A	G4
L 7516	TOROIDAL COIL	1.88uH			1.88U T80-2	L0022896A		1-	A	H2
L 7517	TOROIDAL COIL	1.31uH			#223196	L0022893		1-	A	G4
L 7518	TOROIDAL COIL	0.66uH			0.66U T-80-2	L0021984		1-	A	G3
L 7519	TOROIDAL COIL	0.52uH			#223193	L0022890		1-	A	G5
L 7520	TOROIDAL COIL	0.34uH			0.34U T80-6	L0022886A		1-	A	G3
L 7521	COIL A1				3.5T13.0D2.0UEW R	L0022725		1-	A	H1
L 7522	TOROIDAL COIL	0.7uH			#223194	L0022891		1-	A	H3
L 7523	TOROIDAL COIL	0.5uH			#223192	L0022889		1-	A	H5
L 7524	TOROIDAL COIL	0.34uH			0.34U T80-6	L0022886A		1-	A	H3
L 7525	COIL A1				2.5T14.0D2.0UEW R	L0022724		1-	A	I1
L 7526	TOROIDAL COIL	5.04uH			#223202	L0022899		1-	A	H4
L 7527	TOROIDAL COIL	1.99uH			1.99U T80-2	L0022895A		1-	A	I2
L 7528	TOROIDAL COIL	1.39uH			#223197	L0022894		1-	A	H4
L 7529	M.RFC	1uH			LAL03TA1R0M	L1790083		1-	A	A4
P 7501	CONNECTOR				IMSA-9206H-T	P1090988		1-		
P 7502	CONNECTOR				IMSA-9206H-T	P1090988		1-		
Q 7501	IC				M5223AFP 600C	G1092955		1-	A	B3
Q 7502	IC				M5223AFP 600C	G1092955		1-	A	A2
Q 7503	IC				M5223AFP 600C	G1092955		1-	A	A3
Q 7507	IC				BU2507FV-E2	G1093773		1-	A	A3
Q 7508	FET				RD06HHF1-01	G3090145		1-	A	A1
Q 7509	IC				BU4094BCFV-E2	G1093527		1-	A	D5
Q 7511	IC				M5223AFP 600C	G1092955		1-	A	C4
Q 7513	IC				TD62783AFNG(5.S.EL)	G1092700		1-	A	D5
Q 7514	FET				SD2918	G3090147		1-	A	B1
Q 7515	FET				SD2931-10	G3090146		1-	A	D1
Q 7516	FET				SD2931-10	G3090146		1-	A	D2
Q 7517	IC				M5218AFP-600C	G1091607		1-	A	D4
Q 7518	TRANSISTOR				2SD2403GY-T1	G3424038Y		1-	A	B3
Q 7519	IC				PQ09TZ1U	G1092599		1-	A	B3
Q 7521	TRANSISTOR				DTC144EE TL	G3070075		1-	A	B4
Q 7522	FET				2SJ506STR-E	G4070014		1-	A	B5
Q 7522	FET				2SJ387STL	G3703878		4-	A	B5
Q 7524	IC				LM19CIZ	G1094150		1-	A	D3
Q 7525	IC				BU4094BCFV-E2	G1093527		1-3		
Q 7526	IC				CD4051BPWR	G1094136		1-3		
Q 7527	TRANSISTOR				DTD123YK T146	G3070157		1-	A	A3
Q 7528	TRANSISTOR				DTD123YK T146	G3070157		1-	A	A3
Q 7529	TRANSISTOR				DTD123YK T146	G3070157		1-	A	A4
Q 7530	TRANSISTOR				DTD123YK T146	G3070157		1-	A	B4
Q 7531	TRANSISTOR				DTA144EE TL	G3070074		1-	A	B4
Q 7532	TRANSISTOR				DTC144EE TL	G3070075		1-	A	B4
Q 7533	FET				2SJ506STR-E	G4070014		1-	A	B4

# PA-B Unit (D, Contest Type)

## Parts List

REF	DESCRIPTION	VALUE	V/W	TOL.	MFR'S DESIG	VXSTD P/N	VERS.	LOT	SIDE	LAY ADR
Q 7534	IC				PST597INR	G1093857		1-	A	B4
R 7505	CHIPRES.	0	1/16W	5%	RMC1/16 000JATP	J24185000		1-	A	A3
R 7506	CHIPRES.	10	1/16W	5%	RMC1/16 100JATP	J24185100		1-	A	A3
R 7510	CHIPRES.	270	1/16W	5%	RMC1/16 271JATP	J24185271		1-	A	A2
R 7511	CHIPRES.	3.9k	1/16W	5%	RMC1/16 392JATP	J24185392		1-	A	B3
R 7512	CHIPRES.	100k	1/16W	5%	RMC1/16 104JATP	J24185104		1-	A	B3
R 7513	CHIPRES.	18	1/16W	5%	RMC1/16 180JATP	J24185180		1-	A	A2
R 7514	CHIPRES.	100k	1/16W	5%	RMC1/16 104JATP	J24185104		1-	A	B3
R 7515	CHIPRES.	220	1/16W	5%	RMC1/16 221JATP	J24185221		1-	A	A3
R 7516	CHIPRES.	220	1/16W	5%	RMC1/16 221JATP	J24185221		1-	A	A3
R 7517	CHIPRES.	220	1/16W	5%	RMC1/16 221JATP	J24185221		1-	A	A3
R 7518	CHIPRES.	10k	1/16W	5%	RMC1/16 103JATP	J24185103		1-	A	B3
R 7519	CHIPRES.	100k	1/16W	5%	RMC1/16 104JATP	J24185104		1-	A	A3
R 7523	CHIPRES.	270	1/16W	5%	RMC1/16 271JATP	J24185271		1-	A	A2
R 7524	CHIPRES.	100k	1/16W	5%	RMC1/16 104JATP	J24185104		1-	A	A3
R 7527	CHIPRES.	10k	1/16W	5%	RMC1/16 103JATP	J24185103		1-	A	A3
R 7528	CHIPRES.	100	1/4W	5%	RMC1/4 101JATP	J24245101		1-	A	A2
R 7529	CHIPRES.	1k	1/16W	5%	RMC1/16 102JATP	J24185102		1-	A	A2
R 7530	CHIPRES.	2.2k	1/10W	5%	RMC1/10T 222J	J24205222		1-	A	A2
R 7531	CHIPRES.	100	1/16W	5%	RMC1/16 101JATP	J24185101		1-	A	D5
R 7532	CHIPRES.	330	1/4W	5%	RMC1/4 331JATP	J24245331		1-	A	A2
R 7534	CHIPRES.	220	1/16W	5%	RMC1/16 221JATP	J24185221		1-	A	D5
R 7535	CHIPRES.	220	1/16W	5%	RMC1/16 221JATP	J24185221		1-	A	D5
R 7536	CHIPRES.	220	1/16W	5%	RMC1/16 221JATP	J24185221		1-	A	D5
R 7537	CHIPRES.	0	1/16W	5%	RMC1/16 000JATP	J24185000		1-	A	C4
R 7538	CHIPRES.	0	1/16W	5%	RMC1/16 000JATP	J24185000		1-	A	C4
R 7541	CHIPRES.	100k	1/16W	5%	RMC1/16 104JATP	J24185104		1-	A	C4
R 7542	CHIPRES.	100k	1/16W	5%	RMC1/16 104JATP	J24185104		1-	A	C4
R 7543	CHIPRES.	470	1/4W	5%	RMC1/4 471JATP	J24245471		1-	A	A2
R 7544	CHIPRES.	2.7k	1/16W	5%	RMC1/16 272JATP	J24185272		1-2	A	C4
R 7545	CHIPRES.	2.7k	1/16W	5%	RMC1/16 272JATP	J24185272		1-2	A	C4
R 7546	CHIPRES.	100k	1/16W	5%	RMC1/16 104JATP	J24185104		1-	A	C4
R 7547	CHIPRES.	100k	1/16W	5%	RMC1/16 104JATP	J24185104		1-	A	C4
R 7548	CHIPRES.	100k	1/16W	5%	RMC1/16 104JATP	J24185104		1-	A	C4
R 7549	CHIPRES.	100k	1/16W	5%	RMC1/16 104JATP	J24185104		1-	A	C4
R 7550	CHIPRES.	10k	1/16W	5%	RMC1/16 103JATP	J24185103		1-	A	C4
R 7551	CHIPRES.	10k	1/16W	5%	RMC1/16 103JATP	J24185103		1-	A	C4
R 7552	CHIPRES.	3.3k	1/10W	5%	RMC1/10T 332J	J24205332		1-	A	B2
R 7553	CHIPRES.	100k	1/16W	5%	RMC1/16 104JATP	J24185104		1-	A	C4
R 7554	CHIPRES.	100k	1/16W	5%	RMC1/16 104JATP	J24185104		1-	A	C4
R 7555	CHIPRES.	470	1W	5%	RMC1 471JTE	J24305471		1-	A	B1
R 7556	CHIPRES.	1k	1/16W	5%	RMC1/16 102JATP	J24185102		1-	A	B2
R 7557	CHIPRES.	10k	1/16W	5%	RMC1/16 103JATP	J24185103		1-	A	C4
R 7558	CHIPRES.	10k	1/16W	5%	RMC1/16 103JATP	J24185103		1-	A	C4
R 7559	CHIPRES.	0	1/16W	5%	RMC1/16 000JATP	J24185000		1-	A	A3
R 7560	CHIPRES.	4.7k	1/10W	5%	RMC1/10T 472J	J24205472		1-	A	C4
R 7561	CHIPRES.	10k	1/16W	5%	RMC1/16 103JATP	J24185103		1-	A	D1
R 7562	METAL FILM RES.	3.3	2W	5%	ERG-2SJ3R3P 3.3	J22339003		1-	A	C1
R 7563	METAL FILM RES.	3.3	2W	5%	ERG-2SJ3R3P 3.3	J22339003		1-	A	C2
R 7564	CHIPRES.	10k	1/16W	5%	RMC1/16 103JATP	J24185103		1-	A	D3
R 7565	CHIPRES.	1k	1/16W	5%	RMC1/16 102JATP	J24185102		1-	A	B4
R 7566	CHIPRES.	22k	1/16W	5%	RMC1/16 223JATP	J24185223		1-	A	C3
R 7567	CHIPRES.	0	1/16W	5%	RMC1/16 000JATP	J24185000		1-	A	B4
R 7568	CHIPRES.	22k	1/16W	5%	RMC1/16 223JATP	J24185223		1-	A	C1
R 7569	CHIPRES.	4.7k	1/10W	5%	RMC1/10T 472J	J24205472		1-	A	C3
R 7570	METAL FILM RES.	120	2W	5%	ERG-2SJ121P 120	J22339015		1-	A	C1
R 7571	METAL FILM RES.	120	2W	5%	ERG-2SJ121P 120	J22339015		1-	A	C2
R 7573	METAL FILM RES.	22	2W	5%	ERG-2SJ220P 22	J22339014		1-	A	C1
R 7574	METAL FILM RES.	22	2W	5%	ERG-2SJ220P 22	J22339014		1-	A	C3
R 7575	CHIPRES.	2.2k	1/2W	5%	RMC1/2 222JCTP	J24275222		1-	A	B3
R 7576	CHIPRES.	220	1/2W	5%	RK73B2HTE220-OHMJ	J24279021		1-	A	B3
R 7576	CHIPRES.	680	1/2W	5%	RK73B2HTE680-OHMJ	J24279027		3	A	B3
R 7577	CHIPRES.	220	1/2W	5%	RK73B2HTE220-OHMJ	J24279021		1-	A	B3
R 7577	CHIPRES.	680	1/2W	5%	RK73B2HTE680-OHMJ	J24279027		3	A	B3
R 7578	CHIPRES.	1k	1/16W	0.5%	RR0510P-102-D	J24189119		1-	A	B4
R 7579	CHIPRES.	18k	1/16W	0.5%	RR0510R-183-D	J24189149		1-	A	B4
R 7580	CEMENTRES.	0.05	5W	10%	ERF-5AKR05	J30379001		1-	A	C3
R 7581	CHIPRES.	10	1/16W	5%	RMC1/16 100JATP	J24185100		1-	A	C4
R 7582	CHIPRES.	22k	1/16W	0.1%	RN731JTDD2202B25	J24189410		1-	A	D3
R 7583	CHIPRES.	22k	1/16W	0.1%	RN731JTDD2202B25	J24189410		1-	A	D3
R 7584	CHIPRES.	2.7k	1/16W	0.1%	RN731JTDD2701B25	J24189408		1-	A	D3
R 7585	CHIPRES.	2.7k	1/16W	0.1%	RN731JTDD2701B25	J24189408		1-	A	D3
R 7586	CHIPRES.	5.6k	1/16W	0.1%	RN731JTDD5601B25	J24189409		1-	A	D4

# PA-B Unit (D, Contest Type)

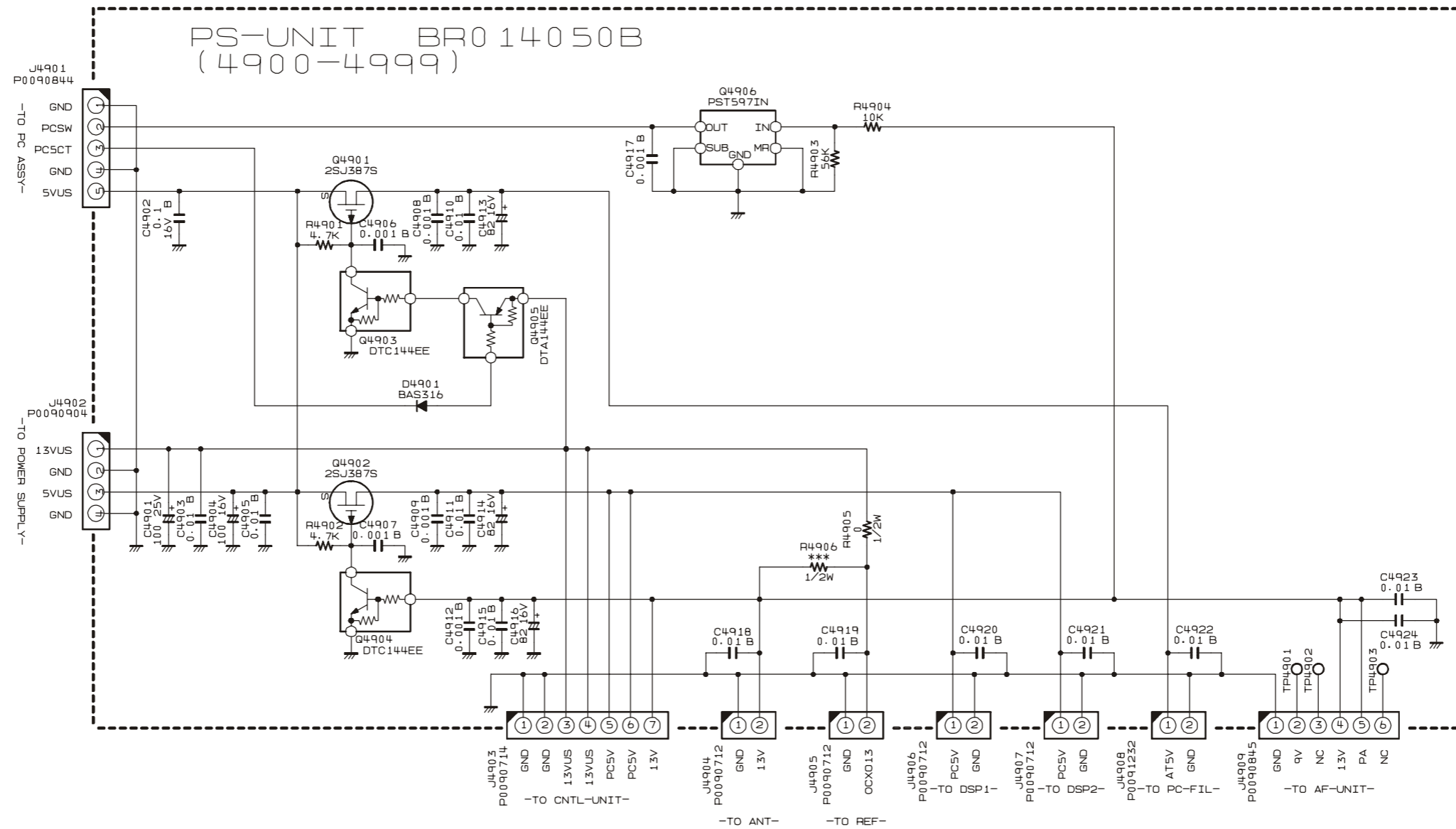
## Parts List

REF	DESCRIPTION	VALUE	V/W	TOL.	MFR'S DESIG	VXSTD P/N	VERS.	LOT	SIDE	LAY ADR
R 7587	CHIPRES.	5.6k	1/16W	0.1%	RN731JTDD5601B25	J24189409		1-	A	D4
R 7588	CHIPRES.	220k	1/16W	1%	RMC1/16 224FTP	J24183224		1-	A	D4
R 7589	CHIPRES.	220k	1/16W	1%	RMC1/16 224FTP	J24183224		1-	A	D4
R 7590	CHIPRES.	4.7k	1/16W	5%	RMC1/16 472JATP	J24185472		1-	A	B4
R 7591	CHIPRES.	0	1/16W	5%	RMC1/16 000JATP	J24185000		1-	A	D4
R 7592	CHIPRES.	470	1/16W	5%	RMC1/16 471JATP	J24185471		1-	A	D4
R 7593	CHIPRES.	3.9k	1/16W	5%	RMC1/16 392JATP	J24185392		1-3		
R 7594	CHIPRES.	2.2k	1/16W	5%	RMC1/16 222JATP	J24185222		1-3		
R 7596	CHIPRES.	10k	1/16W	5%	RMC1/16 103JATP	J24185103		1-	A	A2
R 7597	CHIPRES.	10k	1/16W	5%	RMC1/16 103JATP	J24185103		1-	A	A2
R 7598	CHIPRES.	10k	1/16W	5%	RMC1/16 103JATP	J24185103		1-	A	A2
R 7599	CHIPRES.	1.2k	1/16W	5%	RMC1/16 122JATP	J24185122		1-	A	A2
R 7600	CHIPRES.	10k	1/16W	5%	RMC1/16 103JATP	J24185103		1-	A	A2
R 7601	CHIPRES.	10k	1/16W	5%	RMC1/16 103JATP	J24185103		1-	A	A2
R 7602	CHIPRES.	10k	1/16W	5%	RMC1/16 103JATP	J24185103		1-	A	A3
R 7603	CHIPRES.	2.7k	1/16W	5%	RMC1/16 272JATP	J24185272		1-	A	A3
R 7604	CHIPRES.	10k	1/16W	5%	RMC1/16 103JATP	J24185103		1-	A	A3
R 7605	CHIPRES.	10k	1/16W	5%	RMC1/16 103JATP	J24185103		1-	A	A3
R 7606	CHIPRES.	10k	1/16W	5%	RMC1/16 103JATP	J24185103		1-	A	A3
R 7607	CHIPRES.	4.7k	1/16W	5%	RMC1/16 472JATP	J24185472		1-	A	A3
R 7608	CHIPRES.	10k	1/16W	5%	RMC1/16 103JATP	J24185103		1-	A	A3
R 7609	CHIPRES.	10k	1/16W	5%	RMC1/16 103JATP	J24185103		1-	A	A3
R 7610	CHIPRES.	10k	1/16W	5%	RMC1/16 103JATP	J24185103		1-	A	A3
R 7611	CHIPRES.	8.2k	1/16W	5%	RMC1/16 822JATP	J24185822		1-	A	A3
R 7612	CHIPRES.	15	1W	5%	RMC1 150JTE	J24305150		1-	A	A3
R 7613	CHIPRES.	15	1W	5%	RMC1 150JTE	J24305150		1-	A	A3
R 7614	CHIPRES.	15	1W	5%	RMC1 150JTE	J24305150		1-	A	A3
R 7615	CHIPRES.	10k	1/16W	5%	RMC1/16 103JATP	J24185103		1-	A	B4
R 7616	CHIPRES.	56k	1/16W	5%	RMC1/16 563JATP	J24185563		1-	A	B4
R 7617	CHIPRES.	4.7k	1/16W	5%	RMC1/16 472JATP	J24185472		1-	A	B4
R 7618	CHIPRES.	470k	1/16W	5%	RMC1/16 474JATP	J24185474		1-	A	A2
R 7619	CHIPRES.	470k	1/16W	5%	RMC1/16 474JATP	J24185474		1-	A	A3
R 7620	CHIPRES.	470k	1/16W	5%	RMC1/16 474JATP	J24185474		1-	A	A3
R 7621	CHIPRES.	470k	1/16W	5%	RMC1/16 474JATP	J24185474		1-	A	A3
R 7622	CHIPRES.	220	1/16W	5%	RMC1/16 221JATP	J24185221		4-	A	C4
R 7623	CHIPRES.	0	1/16W	5%	RMC1/16 000JATP	J24185000		4-	A	C4
R 7624	CHIPRES.	680	1/2W	5%	RK73B2HTE680-OHMJ	J24279027		3		
R 7624	METAL FILM RES.	240	20W	1%	RNP-20S C241F	J22439002		4-		
R 7624	METAL FILM RES.	240	20W	1%	RNP-20S C241F	J22439002		47-		
R 7625	CHIPRES.	680	1/2W	5%	RK73B2HTE680-OHMJ	J24279027		3		
R 7625	METAL FILM RES.	4.7	3W	5%	ERX-3SJ4R7 4.7	J22359046		4-45		
R 7626	CARBON FILM RES.	330	1/2W	5%	RD12TJ331 330	J01275331		39-		
R 7626	CHIPRES.	330	1/2W	5%	RMC1/2 331JCTP	J24275331		47-		
R 7627	CARBON FILM RES.	220	1/6W	5%	RD16TPJ221 220	J07225221		3		
RL7501	RELAY		DC12V		AJQ1341 DC12V	M1190172		1-	A	E4
RL7502	RELAY		DC12V		AJQ1341 DC12V	M1190172		1-	A	G2
RL7503	RELAY		DC12V		AJQ1341 DC12V	M1190172		1-	A	E4
RL7504	RELAY		DC12V		AJQ1341 DC12V	M1190172		1-	A	F3
RL7505	RELAY		DC12V		AJQ1341 DC12V	M1190172		1-	A	E5
RL7506	RELAY		DC12V		AJQ1341 DC12V	M1190172		1-	A	F2
RL7507	RELAY		DC12V		JS-12-K DC12V	M1190154		1-	A	G2
RL7508	RELAY		DC12V		AJQ1341 DC12V	M1190172		1-	A	J4
RL7509	RELAY		DC12V		AJQ1341 DC12V	M1190172		1-	A	J2
RL7510	RELAY		DC12V		AJQ1341 DC12V	M1190172		1-	A	J4
RL7511	RELAY		DC12V		AJQ1341 DC12V	M1190172		1-	A	J3
RL7512	RELAY		DC12V		AJQ1341 DC12V	M1190172		1-	A	J5
RL7513	RELAY		DC12V		AJQ1341 DC12V	M1190172		1-	A	J3
RL7514	RELAY		DC12V		JS-12-K DC12V	M1190154		1-	A	I1
S 7501	SLIDE SWITCH				SSSS223-01-A	N6090105		1-	A	C4
T 7501	COIL 10WIDE				1-1 3A6 RIB4X7X5	L0022924		1-	A	B2
T 7502	COIL PWR-WIDE				3A5 RIB10X20X10	L0022773		1-	A	C2
T 7503	COIL PWR-WIDE				D12A TR16	L0022068		1-	A	D2
T 7504	COIL PWR-WIDE				D12A RIB21	L0022883		1-	A	E2
TP7516	TERMINAL				TP-G MK1095	Q5000036		4-	A	D1
VR7501	POT.	4.7k			EVN-5ESX50BQ3	J51811472		1-	A	A2
VR7502	POT.	4.7k			EVN-5ESX50BQ3	J51811472		1-	A	B2
VR7503	POT.	10k			EVN-5ESX50B14	J51811103		1-	A	C4
VR7504	POT.	10k			EVN-5ESX50B14	J51811103		1-	A	C4



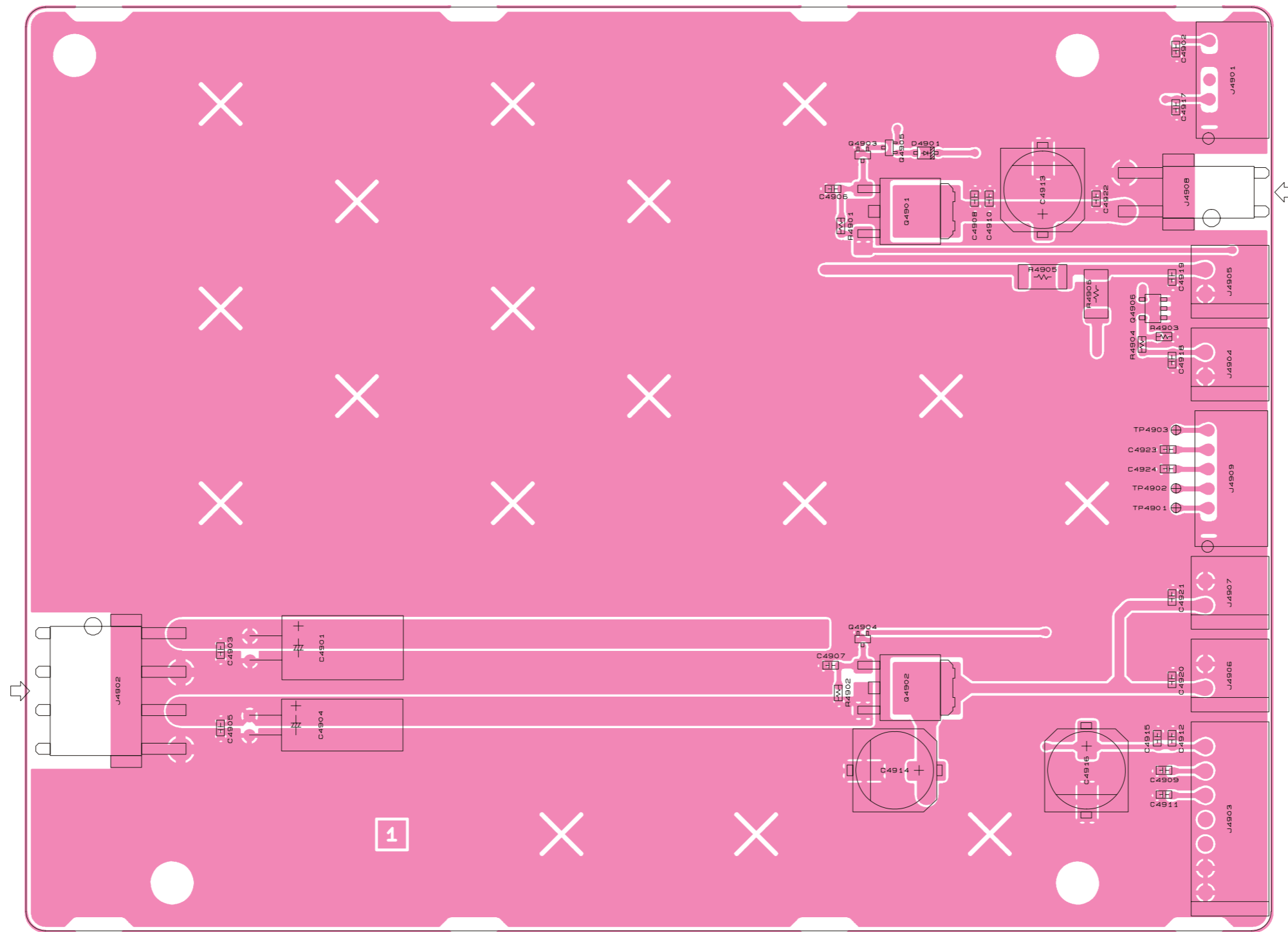
## *PA-B Unit (D, Contest Type)*

*Note*

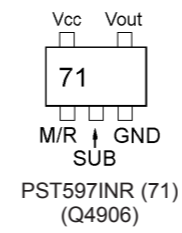
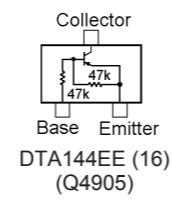
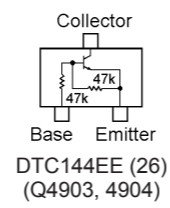
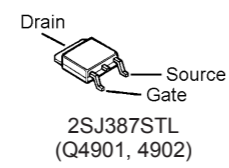


*PS Unit (MP Type)*

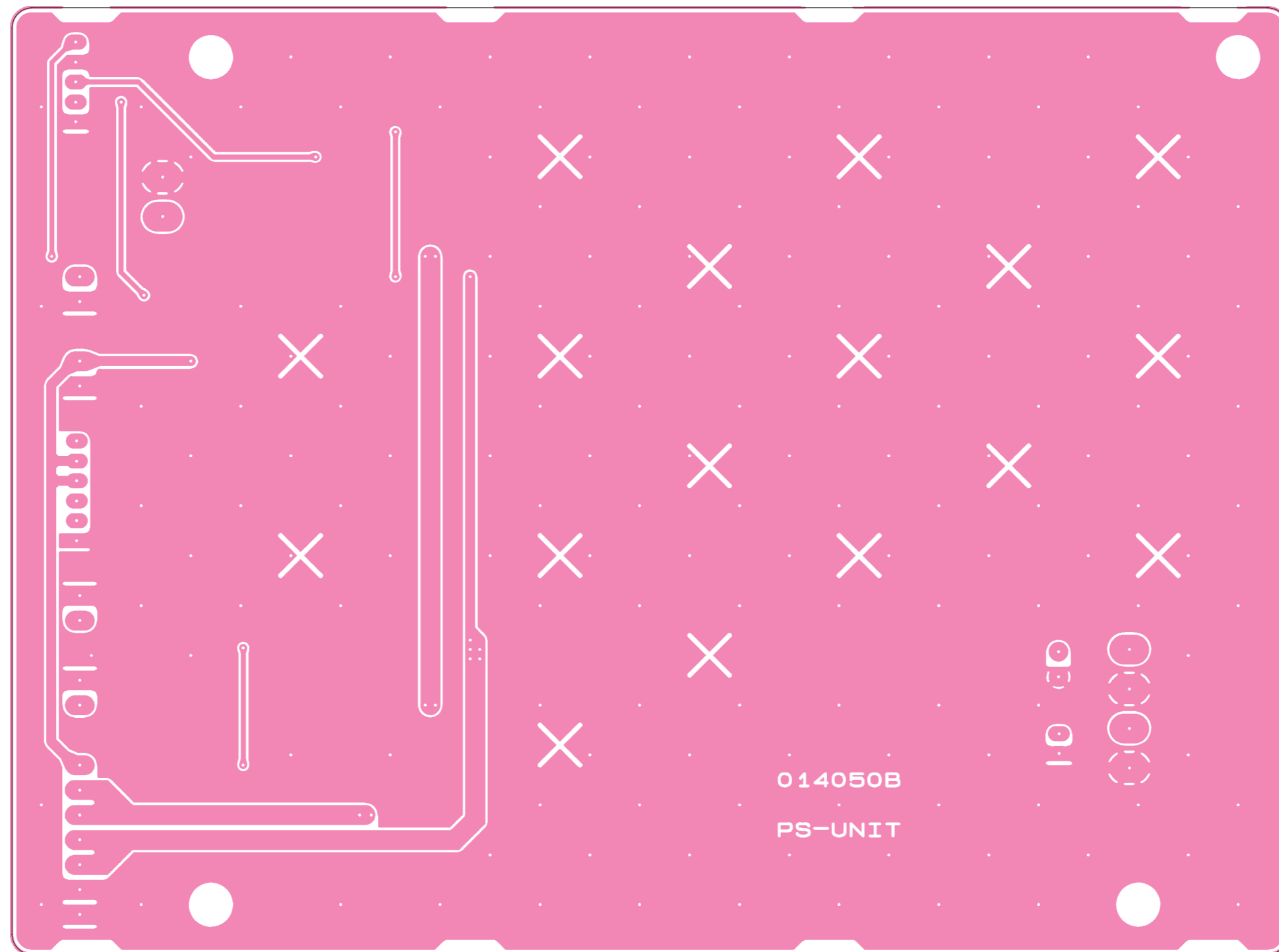
*Note*



Side A



*PS Unit (MP Type)*



Side B

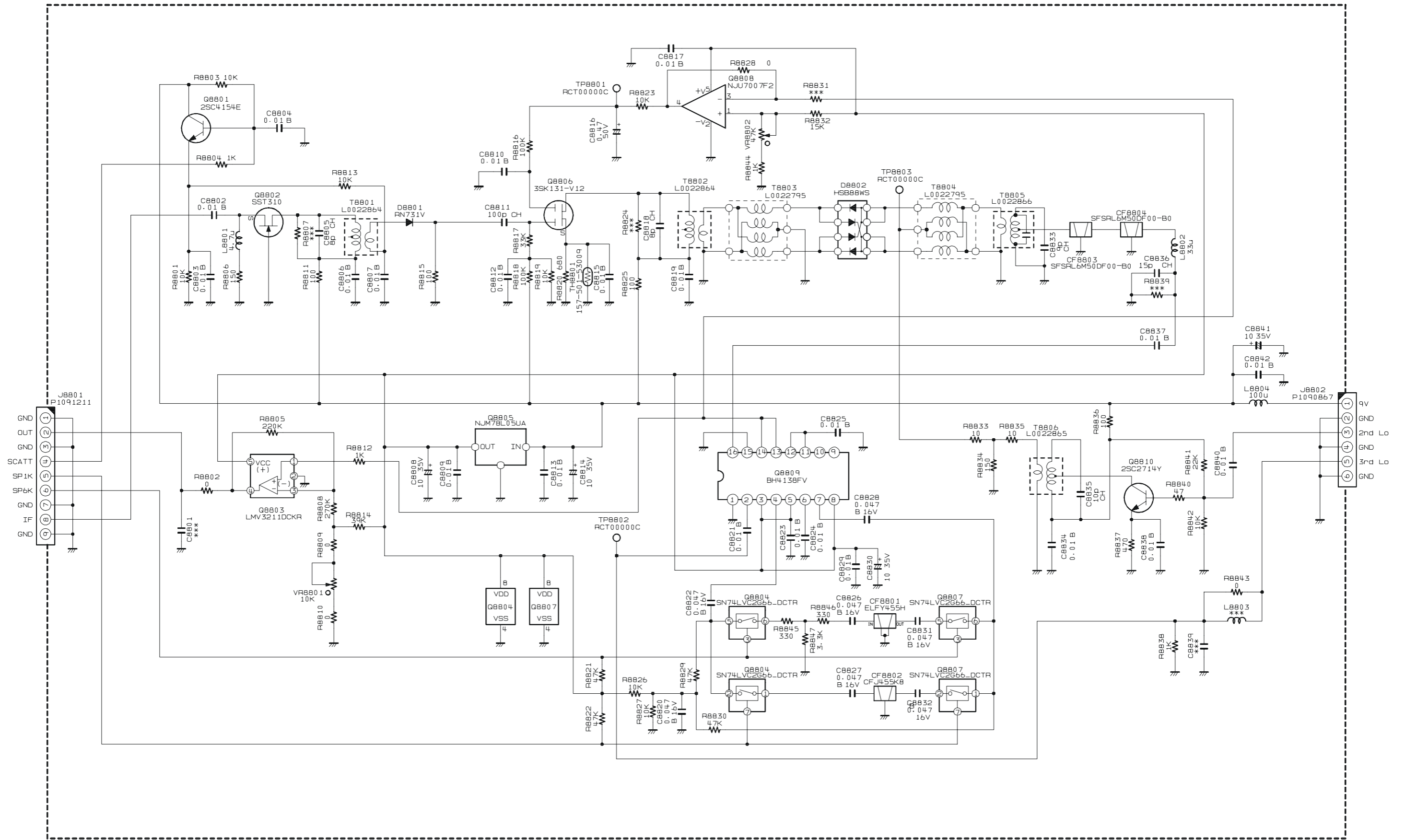
# PS Unit (MP Type)

## Parts List

REF	DESCRIPTION	VALUE	V/W	TOL.	MFR'S DESIG	VXSTD P/N	VERS.	LOT	SIDE	LAY ADR
PCB with Components						CB2263001				
Printed Circuit Board						FR014050B		4-		
C 4901	AL.ELECTRO.CAP.	100uF	25V		RE2-25V101MH3#	K40149028		1-	A	A2
C 4902	CHIP CAP.	0.1uF	16V	B	GRM188B11C104KA01D	K22124805		1-	A	D1
C 4903	CHIP CAP.	0.01uF	50V	B	GRM188B11H103KA01D	K22174823		1-	A	A2
C 4904	AL.ELECTRO.CAP.	100uF	16V		RE3-16V101ME3#	K40129063		1-	A	A3
C 4905	CHIP CAP.	0.01uF	50V	B	GRM188B11H103KA01D	K22174823		1-	A	A3
C 4906	CHIP CAP.	0.001uF	50V	B	GRM188B11H102KA01D	K22174809		1-	A	C1
C 4907	CHIP CAP.	0.001uF	50V	B	GRM188B11H102KA01D	K22174809		1-	A	C2
C 4908	CHIP CAP.	0.001uF	50V	B	GRM188B11H102KA01D	K22174809		1-	A	D1
C 4909	CHIP CAP.	0.001uF	50V	B	GRM188B11H102KA01D	K22174809		1-	A	D3
C 4910	CHIP CAP.	0.01uF	50V	B	GRM188B11H103KA01D	K22174823		1-	A	D1
C 4911	CHIP CAP.	0.01uF	50V	B	GRM188B11H103KA01D	K22174823		1-	A	D3
C 4912	CHIP CAP.	0.001uF	50V	B	GRM188B11H102KA01D	K22174809		1-	A	D3
C 4913	AL.ELECTRO.CAP.	82uF	16V		APXA160ARA820MH70G	K48120022		1-	A	D1
C 4914	AL.ELECTRO.CAP.	82uF	16V		APXA160ARA820MH70G	K48120022		1-	A	C3
C 4915	CHIP CAP.	0.01uF	50V	B	GRM188B11H103KA01D	K22174823		1-	A	D3
C 4916	AL.ELECTRO.CAP.	82uF	16V		APXA160ARA820MH70G	K48120022		1-	A	D3
C 4917	CHIP CAP.	0.001uF	50V	B	GRM188B11H102KA01D	K22174809		1-	A	D1
C 4918	CHIP CAP.	0.01uF	50V	B	GRM188B11H103KA01D	K22174823		1-	A	D1
C 4919	CHIP CAP.	0.01uF	50V	B	GRM188B11H103KA01D	K22174823		1-	A	D1
C 4920	CHIP CAP.	0.01uF	50V	B	GRM188B11H103KA01D	K22174823		1-	A	D2
C 4921	CHIP CAP.	0.01uF	50V	B	GRM188B11H103KA01D	K22174823		1-	A	D2
C 4922	CHIP CAP.	0.01uF	50V	B	GRM188B11H103KA01D	K22174823		1-	A	D1
C 4923	CHIP CAP.	0.01uF	50V	B	GRM188B11H103KA01D	K22174823		1-	A	D2
C 4924	CHIP CAP.	0.01uF	50V	B	GRM188B11H103KA01D	K22174823		1-	A	D2
D 4901	DIODE				BAS316	G2070716		1-	A	D1
J 4901	CONNECTOR				SB20-05WL	P0090844		1-	A	E1
J 4902	CONNECTOR				B4PS-VH(LF)(SN)	P0090904		1-	A	A2
J 4903	CONNECTOR				SC25-07WL	P0090714		1-	A	E3
J 4904	CONNECTOR				SC25-02WL	P0090712		1-	A	E1
J 4905	CONNECTOR				SC25-02WL	P0090712		1-	A	E1
J 4906	CONNECTOR				SC25-02WL	P0090712		1-	A	E2
J 4907	CONNECTOR				SC25-02WL	P0090712		1-	A	E2
J 4908	CONNECTOR				B2PS-VH(LF)(SN)	P0091232		1-	A	D1
J 4909	CONNECTOR				SB20-06WL	P0090845		1-	A	E2
Q 4901	FET				2SJ387STL	G3703878		1-	A	D1
Q 4902	FET				2SJ387STL	G3703878		1-	A	D2
Q 4903	TRANSISTOR				DTC144EE TL	G3070075		1-	A	C1
Q 4904	TRANSISTOR				DTC144EE TL	G3070075		1-	A	C2
Q 4905	TRANSISTOR				DTA144EE TL	G3070074		1-	A	C1
Q 4906	IC				PST597INR	G1093857		1-	A	D1
R 4901	CHIPRES.	4.7k	1/16W	5%	RMC1/16 472JATP	J24185472		1-	A	C1
R 4902	CHIPRES.	4.7k	1/16W	5%	RMC1/16 472JATP	J24185472		1-	A	C2
R 4903	CHIPRES.	56k	1/16W	5%	RMC1/16 563JATP	J24185563		1-	A	D1
R 4904	CHIPRES.	10k	1/16W	5%	RMC1/16 103JATP	J24185103		1-	A	D1
R 4905	CHIPRES.	0	1/2W	5%	RMC1/2 JPATE	J24275000		1-	A	D1

## *PS Unit (MP Type)*

*Note*



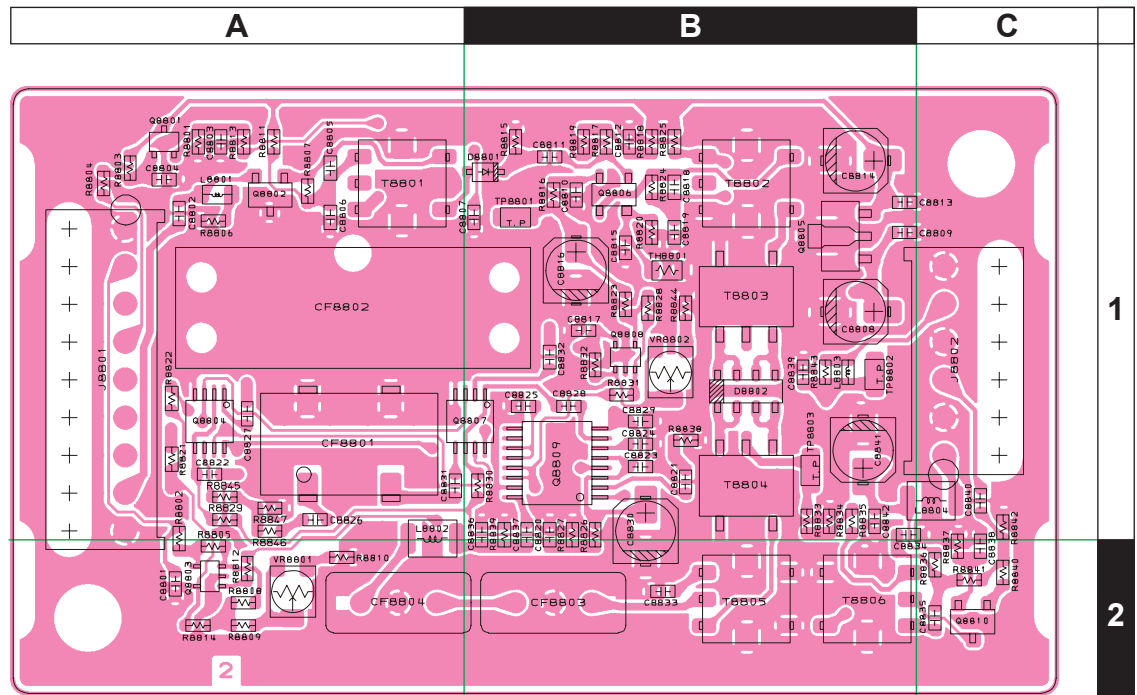


## *SCP-1 Unit*

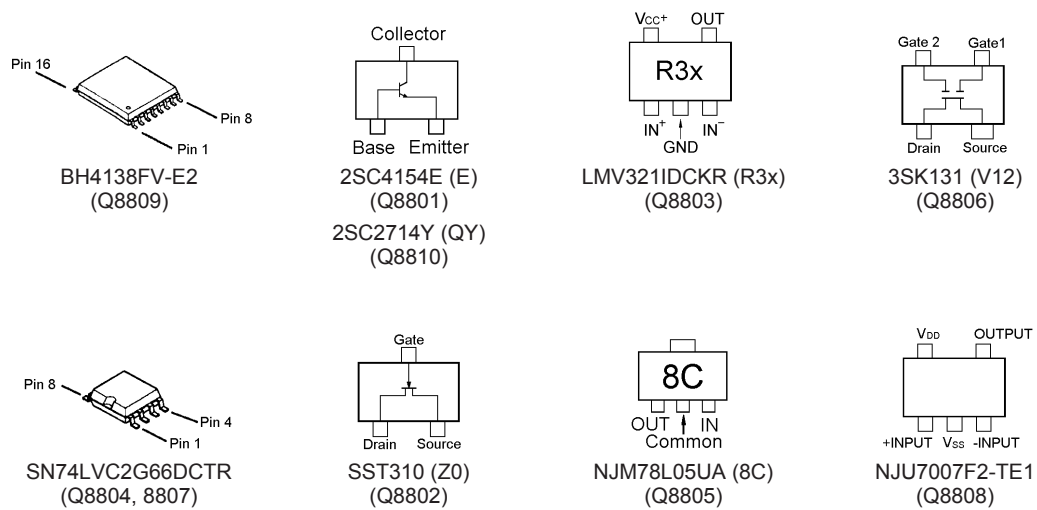
*Note*

# SCP-1 Unit

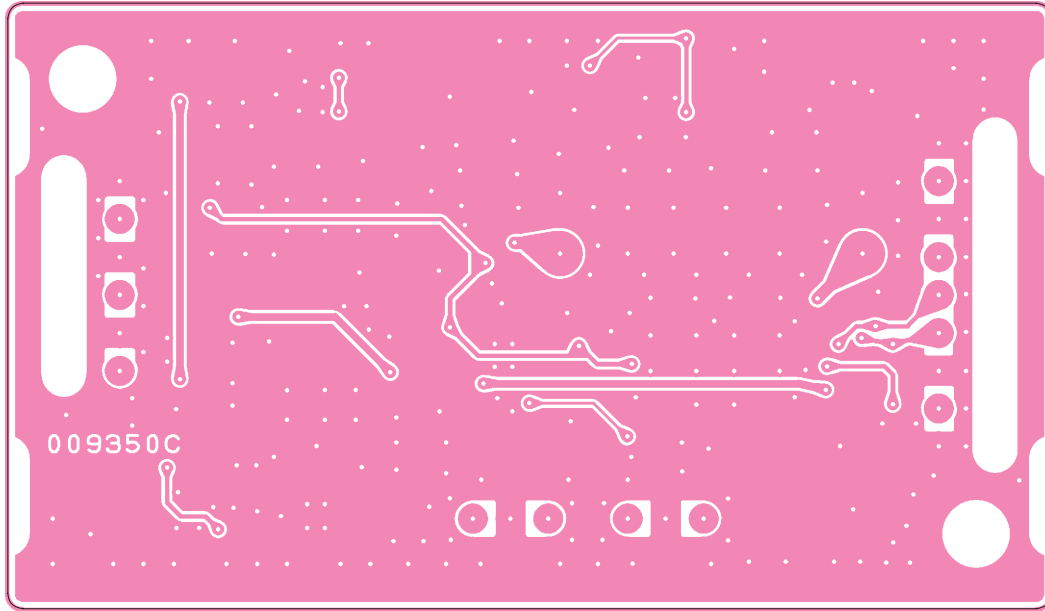
## Parts Layout (Lot. 1~27)



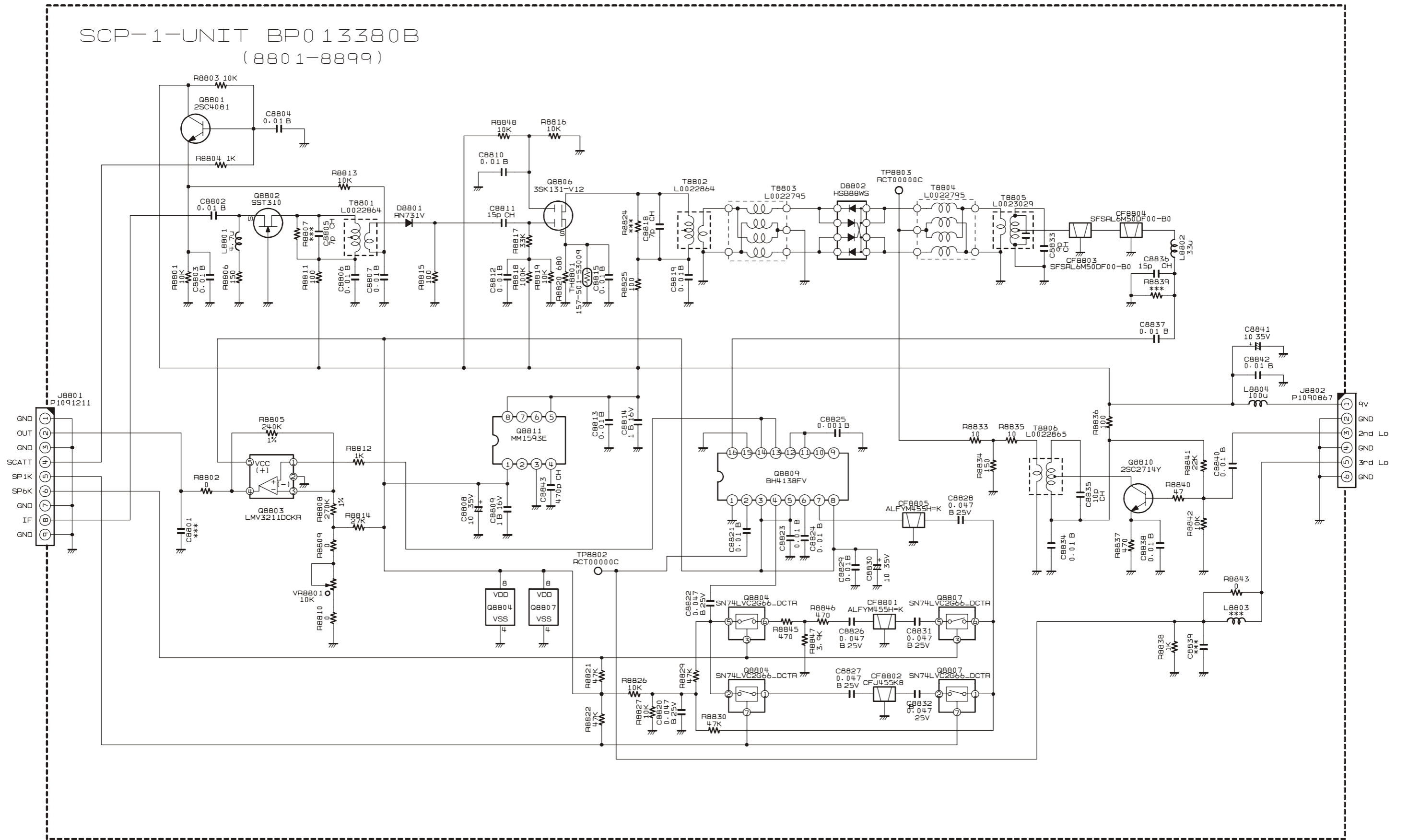
Side A



# SCP-1 Unit



Side B

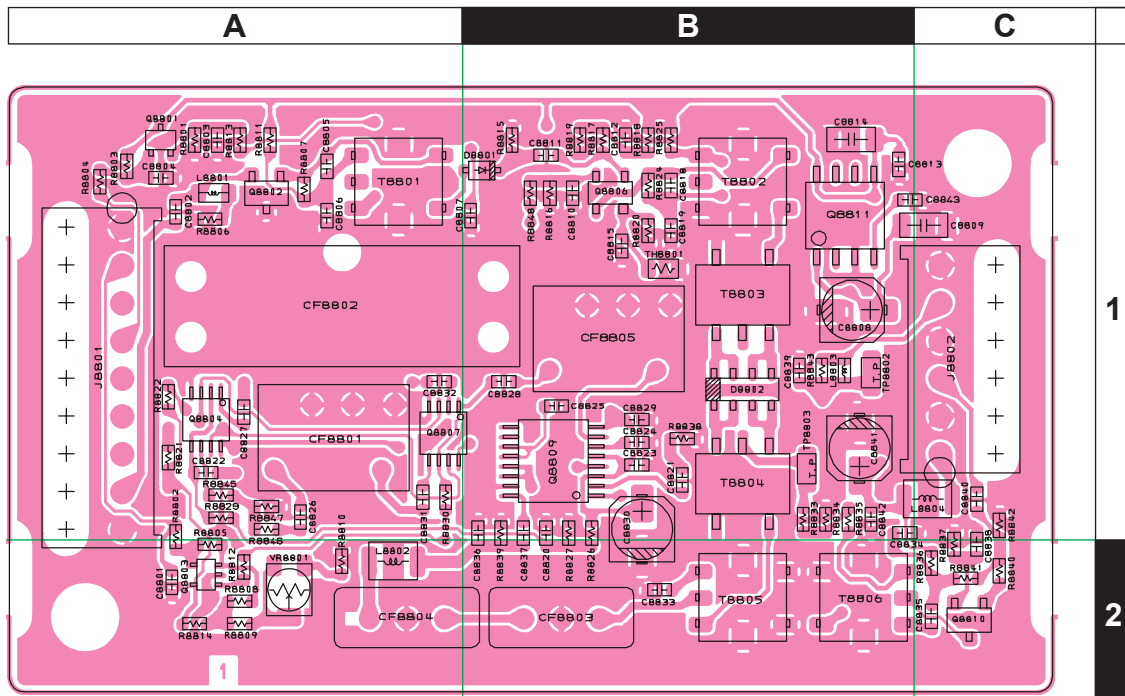


## *SCP-1 Unit*

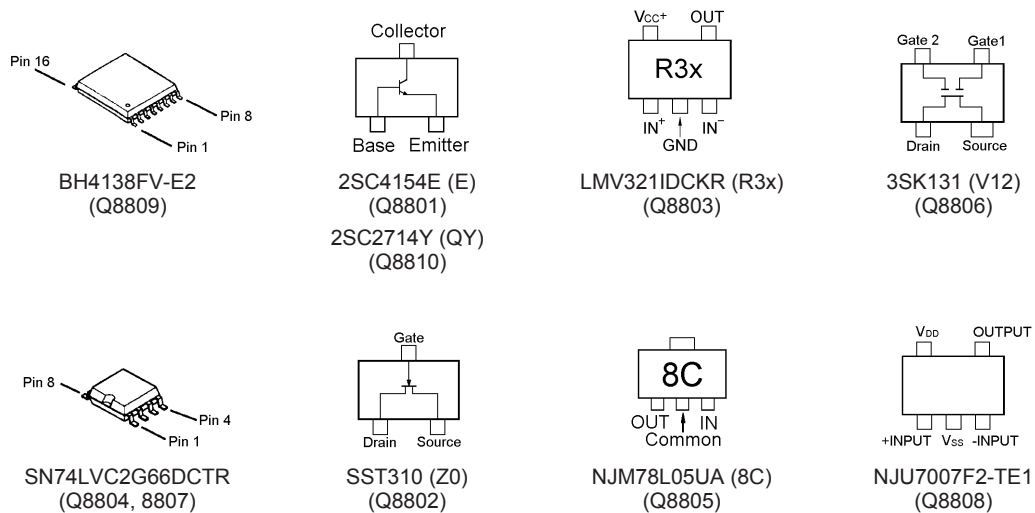
*Note*

# SCP-1 Unit

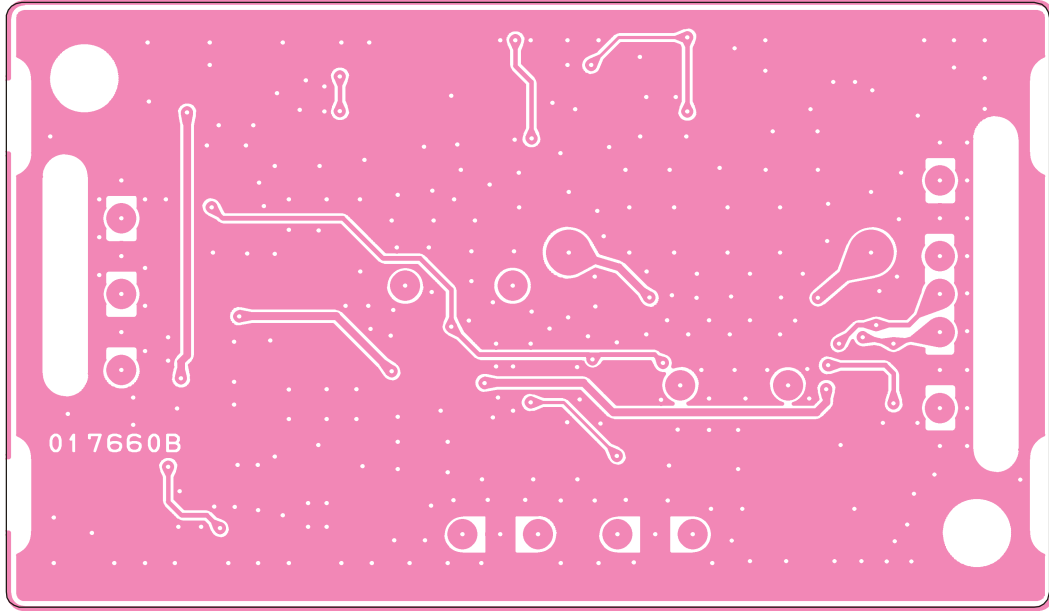
## Parts Layout (Lot. 28~)



Side A



# SCP-1 Unit



Side B

# SCP-1 Unit

## Parts List

REF	DESCRIPTION	VALUE	V/W	TOL.	MFR'S DESIG	YAESU P/N	VERS.	LOT	SIDE	LAY ADR
PCB with Components						CB2334001		1-15		
						CB2334002	CE:OFF	16-		
						CB2334003	CE:ON	16-		
C 8802	CHIPCAP.	0.01uF	50V	B	GRM188B11H103KA01D	K22174823	CE Type	1-	A	A1
C 8803	CHIPCAP.	0.01uF	50V	B	GRM188B11H103KA01D	K22174823		1-	A	A1
C 8804	CHIPCAP.	0.01uF	50V	B	GRM188B11H103KA01D	K22174823		1-	A	A1
C 8805	CHIPCAP.	8pF	50V	CH	GRM1882C1H8R0DZ01D	K22174209		1-	A	A1
C 8805	CHIPCAP.	7pF	50V	CH	GRM1882C1H7R0DZ01D	K22174208		28-	A	A1
C 8806	CHIPCAP.	0.01uF	50V	B	GRM188B11H103KA01D	K22174823		1-	A	A1
C 8807	CHIPCAP.	0.01uF	50V	B	GRM188B11H103KA01D	K22174823		1-	A	B1
C 8808	AL.ELECTRO.CAP.	10uF	35V		ECEV1VA100WR	K48160004		1-	A	B1
C 8808	AL.ELECTRO.CAP.	10uF	35V		EEE1VA100WR	K48160006		9-	A	B1
C 8809	CHIPCAP.	0.01uF	50V	B	GRM188B11H103KA01D	K22174823		1-	A	B1
C 8809	CHIPCAP.	1uF	16V	B	GRM31MB11C105KA01L	K22121803		28-	A	B1
C 8810	CHIPCAP.	0.01uF	50V	B	GRM188B11H103KA01D	K22174823		1-	A	B1
C 8811	CHIPCAP.	100pF	50V	CH	GRM1882C1H101JA01D	K22174235		1-	A	B1
C 8811	CHIPCAP.	15pF	50V	CH	GRM1882C1H150JA01D	K22174215		28-	A	B1
C 8812	CHIPCAP.	0.01uF	50V	B	GRM188B11H103KA01D	K22174823		1-	A	B1
C 8813	CHIPCAP.	0.01uF	50V	B	GRM188B11H103KA01D	K22174823		1-	A	B1
C 8814	AL.ELECTRO.CAP.	10uF	35V		ECEV1VA100WR	K48160004		1-	A	B1
C 8814	AL.ELECTRO.CAP.	10uF	35V		EEE1VA100WR	K48160006		9-	A	B1
C 8814	CHIPCAP.	1uF	16V	B	GRM31MB11C105KA01L	K22121803		28-	A	B1
C 8815	CHIPCAP.	0.01uF	50V	B	GRM188B11H103KA01D	K22174823		1-	A	B1
C 8816	AL.ELECTRO.CAP.	0.47uF	50V		ECEV1HAR47SR	K48170013		1-15	A	B1
C 8816	AL.ELECTRO.CAP.	0.47uF	50V		EEE1HAR47SR	K48170023		16-27	A	B1
C 8816	AL.ELECTRO.CAP.	0.47uF	50V		ECEV1HAR47SR	K48170013		16-27	A	B1
C 8817	CHIPCAP.	0.01uF	50V	B	GRM188B11H103KA01D	K22174823		1-27	A	B1
C 8818	CHIPCAP.	8pF	50V	CH	GRM1882C1H8R0DZ01D	K22174209		1-	A	B1
C 8818	CHIPCAP.	7pF	50V	CH	GRM1882C1H7R0DZ01D	K22174208		28-	A	B1
C 8819	CHIPCAP.	0.01uF	50V	B	GRM188B11H103KA01D	K22174823		1-	A	B1
C 8820	CHIPCAP.	0.047uF	16V	B	GRM39B473K16PT	K22124804		1-	A	B1
C 8820	CHIPCAP.	0.047uF	25V	B	GRM188B11E473KA01D	K22144811		27-	A	B1
C 8821	CHIPCAP.	0.01uF	50V	B	GRM188B11H103KA01D	K22174823		1-	A	B1
C 8822	CHIPCAP.	0.047uF	16V	B	GRM39B473K16PT	K22124804		1-	A	A1
C 8822	CHIPCAP.	0.047uF	25V	B	GRM188B11E473KA01D	K22144811		27-	A	A1
C 8823	CHIPCAP.	0.01uF	50V	B	GRM188B11H103KA01D	K22174823		1-	A	B1
C 8824	CHIPCAP.	0.01uF	50V	B	GRM188B11H103KA01D	K22174823		1-	A	B1
C 8825	CHIPCAP.	0.01uF	50V	B	GRM188B11H103KA01D	K22174823		1-	A	B1
C 8825	CHIPCAP.	0.001uF	50V	B	GRM188B11H102KA01D	K22174821		28-	A	B1
C 8826	CHIPCAP.	0.047uF	16V	B	GRM39B473K16PT	K22124804		1-	A	A1
C 8826	CHIPCAP.	0.047uF	25V	B	GRM188B11E473KA01D	K22144811		27-	A	A1
C 8827	CHIPCAP.	0.047uF	16V	B	GRM39B473K16PT	K22124804	1-	A	A1	
C 8827	CHIPCAP.	0.047uF	25V	B	GRM188B11E473KA01D	K22144811	27-	A	A1	
C 8828	CHIPCAP.	0.047uF	16V	B	GRM39B473K16PT	K22124804	1-	A	B1	
C 8828	CHIPCAP.	0.047uF	25V	B	GRM188B11E473KA01D	K22144811	27-	A	B1	
C 8829	CHIPCAP.	0.01uF	50V	B	GRM188B11H103KA01D	K22174823	1-	A	B1	
C 8830	AL.ELECTRO.CAP.	10uF	35V		ECEV1VA100WR	K48160004	1-	A	B1	
C 8830	AL.ELECTRO.CAP.	10uF	35V		EEE1VA100WR	K48160006	9-	A	B1	
C 8831	CHIPCAP.	0.047uF	16V	B	GRM39B473K16PT	K22124804	1-	A	A1	
C 8831	CHIPCAP.	0.047uF	25V	B	GRM188B11E473KA01D	K22144811	27-	A	A1	
C 8832	CHIPCAP.	0.047uF	16V	B	GRM39B473K16PT	K22124804	1-	A	B1	
C 8832	CHIPCAP.	0.047uF	25V	B	GRM188B11E473KA01D	K22144811	27-	A	B1	
C 8833	CHIPCAP.	9pF	50V	CH	GRM1882C1H9R0DZ01D	K22174210	1-	A	B2	
C 8834	CHIPCAP.	0.01uF	50V	B	GRM188B11H103KA01D	K22174823	1-	A	B1	
C 8835	CHIPCAP.	10pF	50V	CH	GRM1882C1H100JA01D	K22174211	1-	A	C2	
C 8836	CHIPCAP.	15pF	50V	CH	GRM1882C1H150JA01D	K22174215	1-	A	B1	
C 8837	CHIPCAP.	0.01uF	50V	B	GRM188B11H103KA01D	K22174823	1-	A	B1	
C 8838	CHIPCAP.	0.01uF	50V	B	GRM188B11H103KA01D	K22174823	1-	A	C2	
C 8840	CHIPCAP.	0.01uF	50V	B	GRM188B11H103KA01D	K22174823	1-	A	C1	
C 8841	AL.ELECTRO.CAP.	10uF	35V		ECEV1VA100WR	K48160004	1-	A	B1	
C 8841	AL.ELECTRO.CAP.	10uF	35V		EEE1VA100WR	K48160006	9-	A	B1	
C 8842	CHIPCAP.	0.01uF	50V	B	GRM188B11H103KA01D	K22174823	1-	A	B1	
C 8843	CHIPCAP.	470pF	50V	CH	GRM1882C1H471JA01D	K22174249	28-	A	B1	
CF8801	CERAMICFILTER				ELFY455H	H3900548		1-	A	A1
CF8801	CERAMICFILTER				ALFYM455H=K	H3900542		28-	A	A1
CF8802	CERAMICFILTER				CFJ455K8	H3900553		1-	A	A1
CF8803	CERAMICFILTER				SFSRA6M50DF00-B0	H3900560		1-	A	B2
CF8804	CERAMICFILTER				SFSRA6M50DF00-B0	H3900560		1-	A	A2
CF8805	CERAMICFILTER				ALFYM455H=K	H3900542		28-	A	B1
D 8801	DIODE				RN731V TE-17	G2070898		1-	A	B1
D 8802	DIODE				HSB88WS TR-E	G2070290		1-	A	B1
J 8801	CONNECTOR				IMSA-9133S-09D	P1091211		1-	A	A1
J 8802	CONNECTOR				IMSA-9133S-06D	P1090867		1-	A	C1



# SCP-1 Unit

## Parts List

REF	DESCRIPTION	VALUE	V/W	TOL.	MFR'S DESIG	YAESU P/N	VERS.	LOT	SIDE	LAY ADR
L 8801	M.RFC	4.7uH			LK2125 4R7K-T	L1690327		1-	A	A1
L 8802	M.RFC	33uH			LLM3225-330J	L1691139		1-	A	A1
L 8804	M.RFC	100uH			LLM3225-101J	L1691145		1-	A	C1
Q 8801	TRANSISTOR				2SC4154-T111-1E	G3341548E		1-	A	A1
Q 8801	TRANSISTOR				2SC4081 T106	G3340818		29-	A	A1
Q 8802	FET				SST310-T1	G4070009		1-	A	A1
Q 8803	IC				LMV321IDCKR	G1093969		1-	A	A2
Q 8804	IC				SN74LVC2G66DCTR	G1094049		1-	A	A1
Q 8805	IC				NJM78L05UA-TE1	G1091325		1-27	A	B1
Q 8806	FET				3SK131-T2B V12	G4801317B		1-	A	B1
Q 8807	IC				SN74LVC2G66DCTR	G1094049		1-	A	B1
Q 8808	IC				NJU7007F3-TE1	G1093617		1-27	A	B1
Q 8809	IC				BH4138FV-E2	G1093713		1-	A	B1
Q 8810	TRANSISTOR				2SC2714Y(TE85R.F)	G3327147Y		1-	A	C2
Q 8811	IC				MM1593EFBEG	G1094300		28-	A	B1
R 8801	CHIPRES.	10k	1/16W	5%	RMC1/16 103JATP	J24185103		1-	A	A1
R 8802	CHIPRES.	0	1/16W	5%	RMC1/16 000JATP	J24185000		1-	A	A1
R 8803	CHIPRES.	10k	1/16W	5%	RMC1/16 103JATP	J24185103		1-	A	A1
R 8804	CHIPRES.	1k	1/16W	5%	RMC1/16 102JATP	J24185102		1-	A	A1
R 8805	CHIPRES.	220k	1/16W	5%	RMC1/16 224JATP	J24185224		1-	A	A2
R 8805	CHIPRES.	240k	1/16W	1%	RMC1/16 244FTP	J24183244		28-	A	A2
R 8806	CHIPRES.	150	1/16W	5%	RMC1/16 151JATP	J24185151		1-	A	A1
R 8808	CHIPRES.	270k	1/16W	5%	RMC1/16 274JATP	J24185274		1-	A	A2
R 8808	CHIPRES.	270k	1/16W	1%	RMC1/16 274FTP	J24183274		28-	A	A2
R 8809	CHIPRES.	0	1/16W	5%	RMC1/16 000JATP	J24185000		1-	A	A2
R 8810	CHIPRES.	0	1/16W	5%	RMC1/16 000JATP	J24185000		1-	A	A2
R 8811	CHIPRES.	100	1/16W	5%	RMC1/16 101JATP	J24185101		1-	A	A1
R 8812	CHIPRES.	1k	1/16W	5%	RMC1/16 102JATP	J24185102		1-	A	A2
R 8813	CHIPRES.	10k	1/16W	5%	RMC1/16 103JATP	J24185103		1-	A	A1
R 8814	CHIPRES.	39k	1/16W	5%	RMC1/16 393JATP	J24185393		1-	A	A2
R 8814	CHIPRES.	27k	1/16W	5%	RMC1/16 273JATP	J24185273		28-	A	A2
R 8815	CHIPRES.	100	1/16W	5%	RMC1/16 101JATP	J24185101		1-	A	B1
R 8816	CHIPRES.	100k	1/16W	5%	RMC1/16 104JATP	J24185104		1-	A	B1
R 8816	CHIPRES.	10k	1/16W	5%	RMC1/16 103JATP	J24185103		28-	A	B1
R 8817	CHIPRES.	33k	1/16W	5%	RMC1/16 333JATP	J24185333		1-	A	B1
R 8818	CHIPRES.	100k	1/16W	5%	RMC1/16 104JATP	J24185104		1-	A	B1
R 8819	CHIPRES.	10k	1/16W	5%	RMC1/16 103JATP	J24185103		1-	A	B1
R 8820	CHIPRES.	680	1/16W	5%	RMC1/16 681JATP	J24185681		1-	A	B1
R 8821	CHIPRES.	47k	1/16W	5%	RMC1/16 473JATP	J24185473		1-	A	A1
R 8822	CHIPRES.	47k	1/16W	5%	RMC1/16 473JATP	J24185473		1-	A	A1
R 8823	CHIPRES.	10k	1/16W	5%	RMC1/16 103JATP	J24185103		1-27	A	B1
R 8825	CHIPRES.	100	1/16W	5%	RMC1/16 101JATP	J24185101		1-	A	B1
R 8826	CHIPRES.	10k	1/16W	5%	RMC1/16 103JATP	J24185103		1-	A	B1
R 8827	CHIPRES.	10k	1/16W	5%	RMC1/16 103JATP	J24185103		1-	A	B1
R 8828	CHIPRES.	0	1/16W	5%	RMC1/16 000JATP	J24185000		1-27	A	B1
R 8829	CHIPRES.	47k	1/16W	5%	RMC1/16 473JATP	J24185473		1-	A	A1
R 8830	CHIPRES.	47k	1/16W	5%	RMC1/16 473JATP	J24185473		1-	A	B1
R 8832	CHIPRES.	15k	1/16W	5%	RMC1/16 153JATP	J24185153		1-27	A	B1
R 8833	CHIPRES.	10	1/16W	5%	RMC1/16 100JATP	J24185100		1-	A	B1
R 8834	CHIPRES.	150	1/16W	5%	RMC1/16 151JATP	J24185151		1-	A	B1
R 8835	CHIPRES.	10	1/16W	5%	RMC1/16 100JATP	J24185100		1-	A	B1
R 8836	CHIPRES.	100	1/16W	5%	RMC1/16 101JATP	J24185101		1-	A	C2
R 8837	CHIPRES.	470	1/16W	5%	RMC1/16 471JATP	J24185471		1-	A	C2
R 8838	CHIPRES.	1k	1/16W	5%	RMC1/16 102JATP	J24185102		1-	A	B1
R 8840	CHIPRES.	47	1/16W	5%	RMC1/16 470JATP	J24185470		1-	A	C2
R 8841	CHIPRES.	22k	1/16W	5%	RMC1/16 223JATP	J24185223		1-	A	C2
R 8842	CHIPRES.	10k	1/16W	5%	RMC1/16 103JATP	J24185103		1-	A	C1
R 8843	CHIPRES.	0	1/16W	5%	RMC1/16 000JATP	J24185000		1-	A	B1
R 8844	CHIPRES.	1k	1/16W	5%	RMC1/16 102JATP	J24185102		1-27	A	B1
R 8845	CHIPRES.	330	1/16W	5%	RMC1/16 331JATP	J24185331		1-	A	A1
R 8845	CHIPRES.	470	1/16W	5%	RMC1/16 471JATP	J24185471		28-	A	A1
R 8846	CHIPRES.	330	1/16W	5%	RMC1/16 331JATP	J24185331		1-	A	A1
R 8846	CHIPRES.	470	1/16W	5%	RMC1/16 471JATP	J24185471		28-	A	A1
R 8847	CHIPRES.	3.3k	1/16W	5%	RMC1/16 332JATP	J24185332		1-	A	A1
R 8847	CHIPRES.	3.9k	1/16W	5%	RMC1/16 392JATP	J24185392		28-	A	A1
R 8848	CHIPRES.	10k	1/16W	5%	RMC1/16 103JATP	J24185103		28-	A	B1
R 8849	CHIPRES.	100	1/16W	5%	RMC1/16 101JATP	J24185101		44-	A	B1
T 8801	COIL 05RF	40.455MHz			40.455MHz	L0022864		1-	A	A1
T 8802	COIL 05RF	40.455MHz			40.455MHz	L0022864		1-	A	B1
T 8803	COIL WIDE-TRANS.				010812305	L0022795		1-	A	B1
T 8804	COIL WIDE-TRANS.				010812305	L0022795		1-	A	B1
T 8805	COIL 05RF	6.5MHz			6.5MHz	L0022866		1-	A	B2
T 8805	COIL 05RF	6.2MHz			6.2MHz	L0023029		28-	A	B2

# SCP-1 Unit

## Parts List

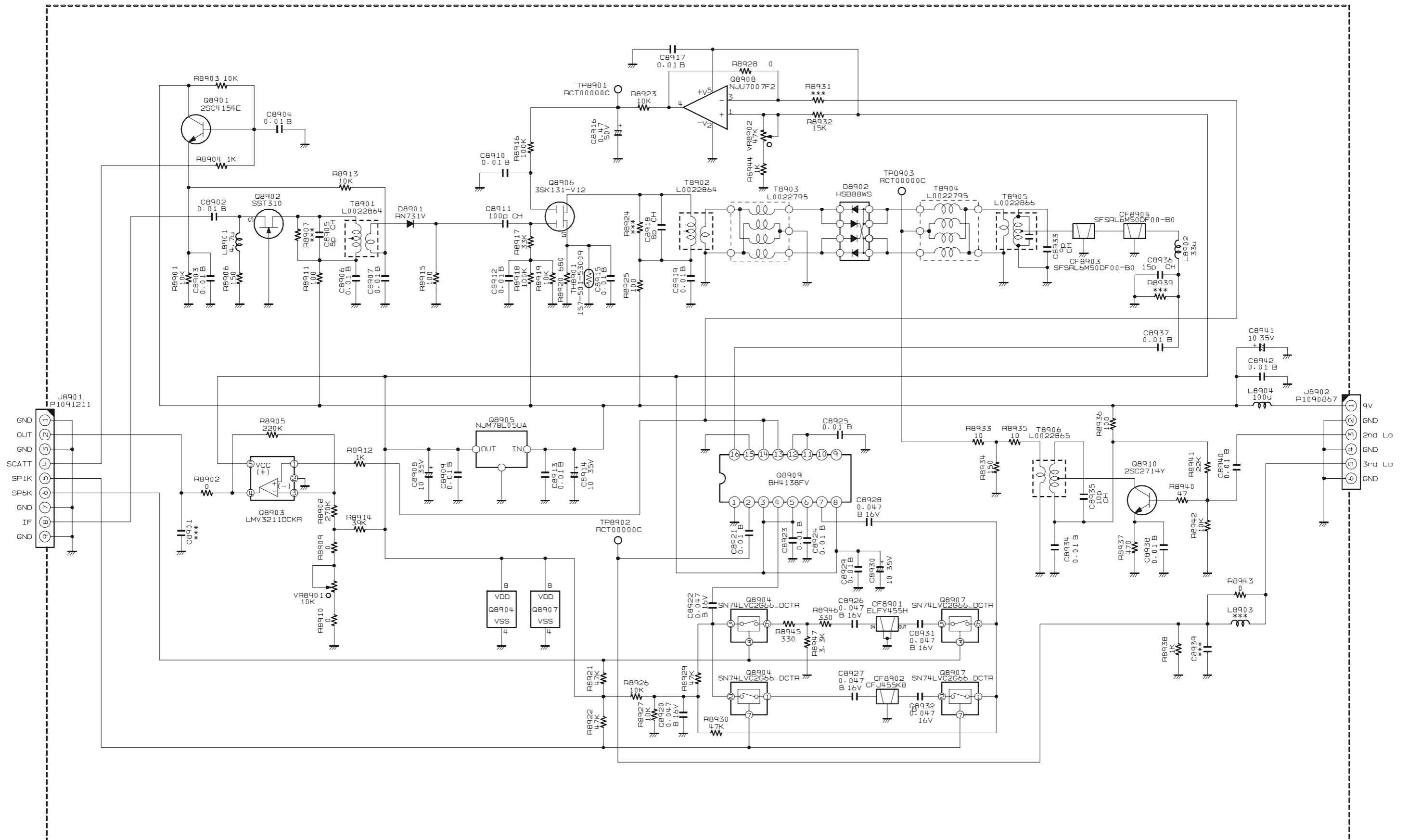
REF	DESCRIPTION	VALUE	V/W	TOL.	MFR'S DESIG	YAESU P/N	VERS.	LOT	SIDE	LAYADR
T 8806	COIL 05RF	33.995MHz			33.995MHz	L0022865		1-	A	B2
TH8801	THERMISTOR				157-501-53009TP	G9090058		1-	A	B1
TP8801	CHECKTERMINAL				RCT00000C	Q5000103		1-27	A	B1
TP8802	CHECKTERMINAL				RCT00000C	Q5000103		1-	A	B1
TP8803	CHECKTERMINAL				RCT00000C	Q5000103		1-	A	B1
VR8801	POT.	10k			RH03A3A14X 10K	J51807103		1-	A	A2
VR8801	POT.	10k			TMC3A3A14X	J51838103		45-	A	A2
VR8802	POT.	47k			RH03A3AS4X 47K	J51807473		1-27	A	B1

# *SCP-1 Unit*

*Note*

# SCP-2 Unit (D, MP Type, RXU-9000)

## Circuit Diagram (Lot. 1~27)

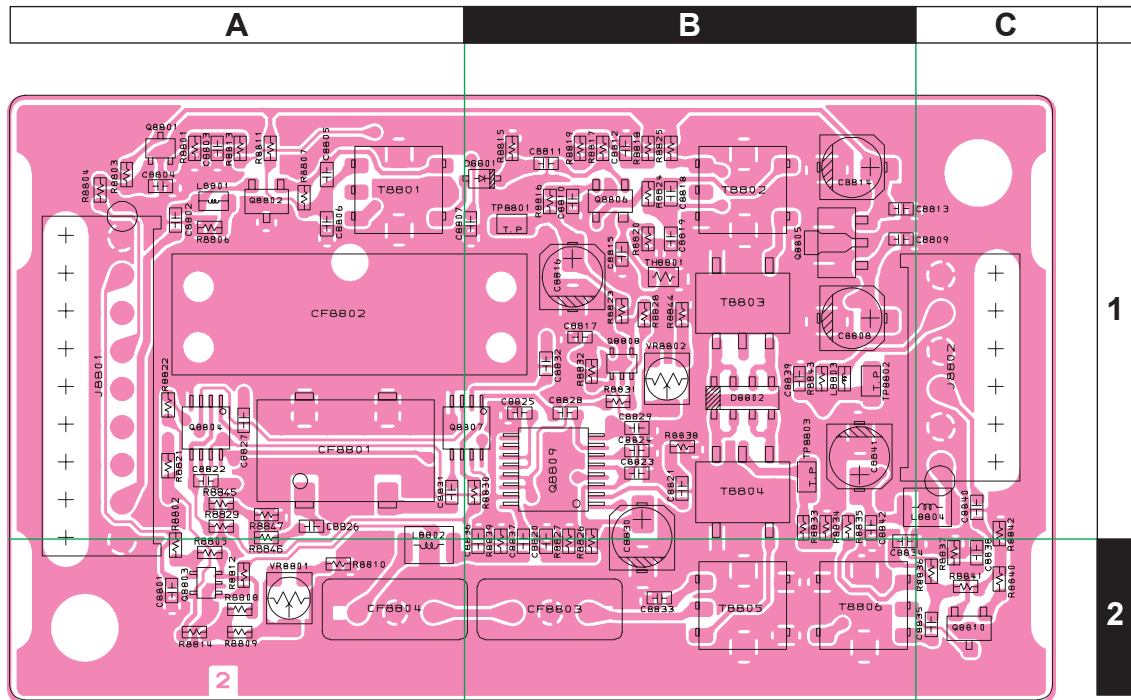


*SCP-2 Unit (D, MP Type, RXU-9000)*

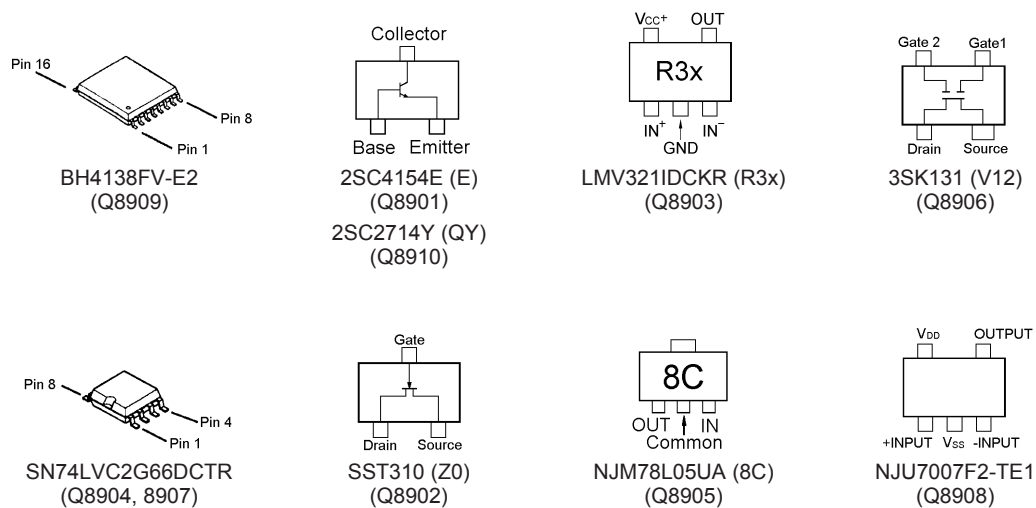
*Note*

# SCP-2 Unit (D, MP Type, RXU-9000)

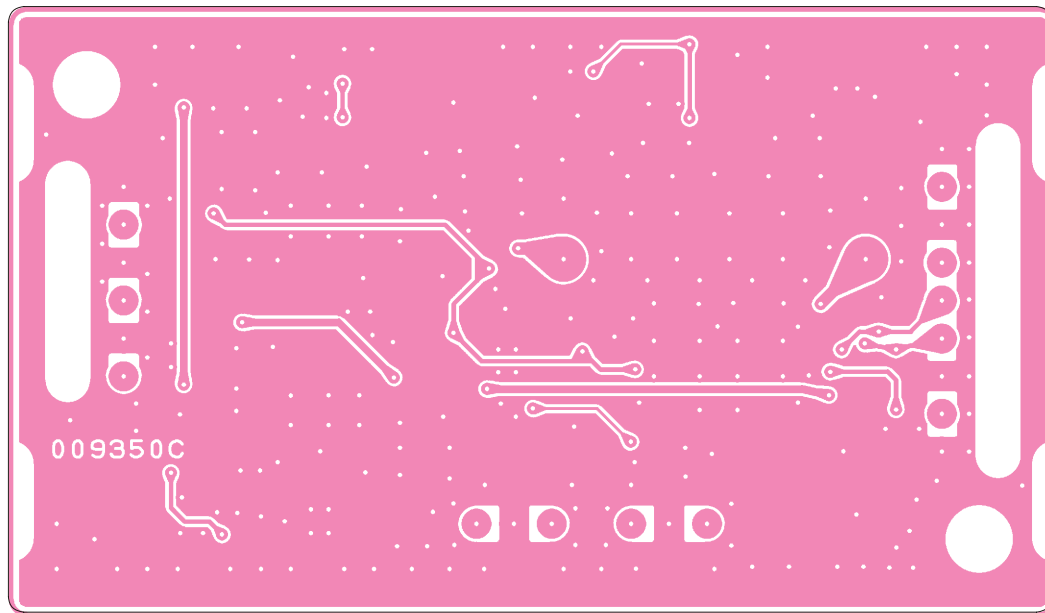
Parts Layout (Lot. 1~27)



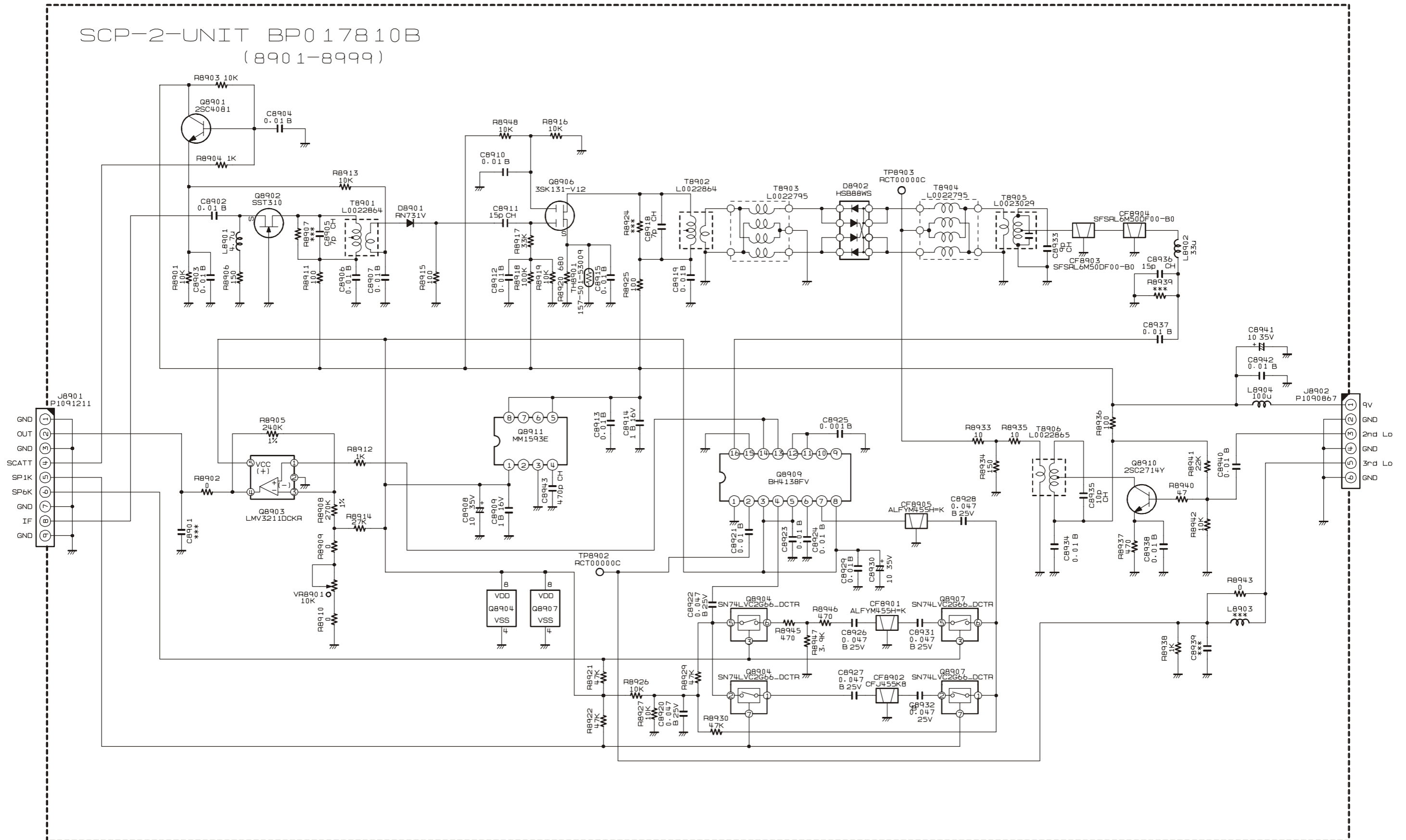
Side A



*SCP-2 Unit (D, MP Type, RXU-9000)*



Side B



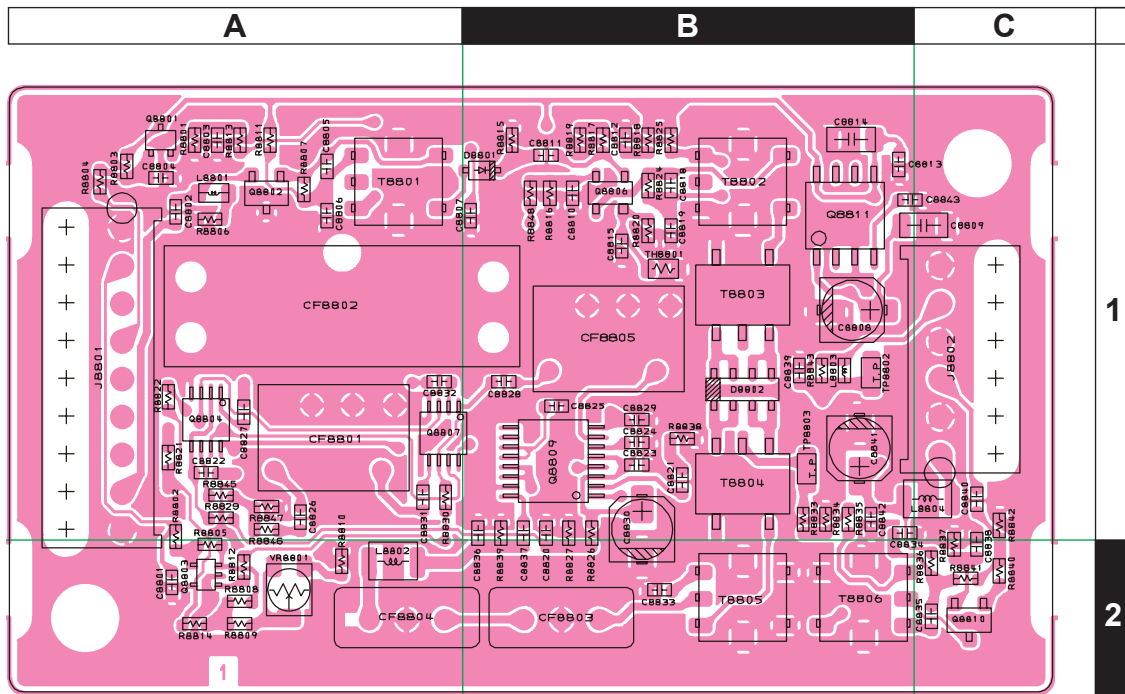


*SCP-2 Unit (D, MP Type, RXU-9000)*

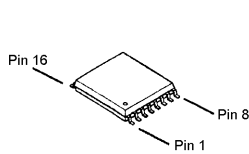
*Note*

# SCP-2 Unit (D, MP Type, RXU-9000)

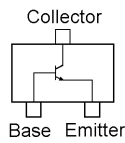
## Parts Layout (Lot. 28~)



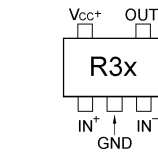
Side A



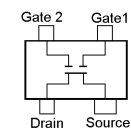
BH4138FV-E2  
(Q8909)



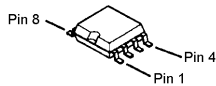
2SC4154E (E)  
(Q8901)  
2SC2714Y (QY)  
(Q8910)



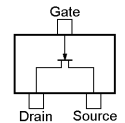
LMV321IDCKR (R3x)  
(Q8903)



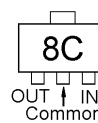
3SK131 (V12)  
(Q8906)



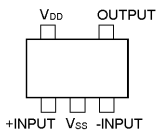
SN74LVC2G66DCTR  
(Q8904, 8907)



SST310 (Z0)  
(Q8902)

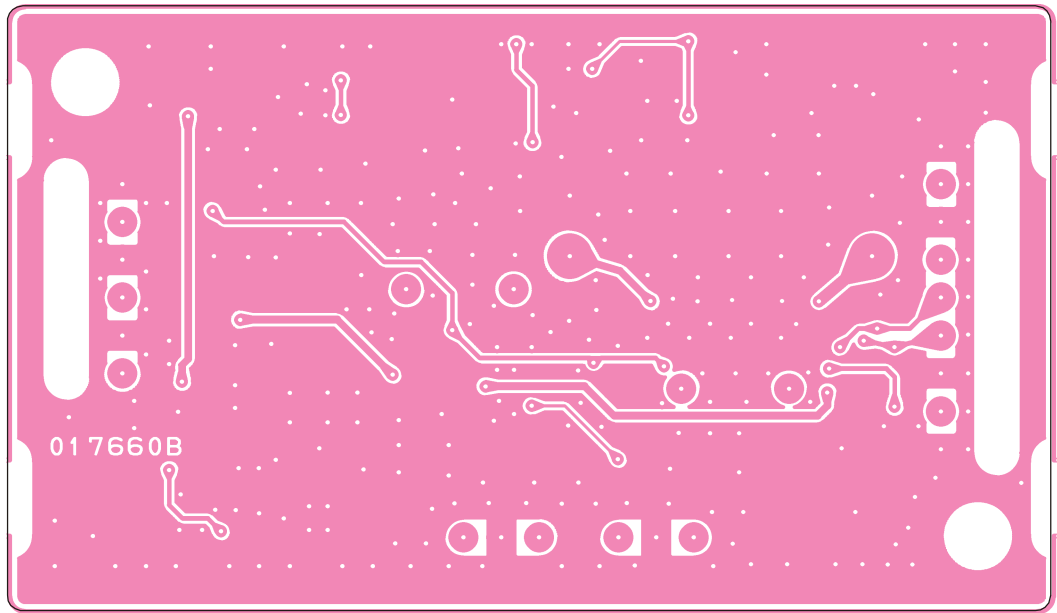


NJM78L05UA (8C)  
(Q8905)



NJU7007F2-TE1  
(Q8908)

*SCP-2 Unit (D, MP Type, RXU-9000)*



Side B

# SCP-2 Unit (D, MP Type, RXU-9000)

## Parts List

REF	DESCRIPTION	VALUE	V/W	TOL.	MFR'S DESIG	YAESU P/N	VERS.	LOT	SIDE	LAY	ADR
PCB with Components						CB3094001		1-15			
						CB3094002	CE:OFF	16-			
						CB3094003	CE:ON	16-			
C 8902	CHIP CAP.	0.01uF	50V	B	GRM188B11H103KA01D	K22174823		1-			
C 8903	CHIP CAP.	0.01uF	50V	B	GRM188B11H103KA01D	K22174823		1-			
C 8904	CHIP CAP.	0.01uF	50V	B	GRM188B11H103KA01D	K22174823		1-			
C 8905	CHIP CAP.	8pF	50V	CH	GRM1882C1H8R0DZ01D	K22174209		1-			
C 8905	CHIP CAP.	7pF	50V	CH	GRM1882C1H7R0DZ01D	K22174208		28-			
C 8906	CHIP CAP.	0.01uF	50V	B	GRM188B11H103KA01D	K22174823		1-			
C 8907	CHIP CAP.	0.01uF	50V	B	GRM188B11H103KA01D	K22174823		1-			
C 8908	AL.ELECTRO.CAP.	10uF	35V		ECEV1VA100WR	K48160004		1-			
C 8908	AL.ELECTRO.CAP.	10uF	35V		EEE1VA100WR	K48160006		9-			
C 8909	CHIP CAP.	0.01uF	50V	B	GRM188B11H103KA01D	K22174823		1-			
C 8909	CHIP CAP.	1uF	16V	B	GRM31MB11C105KA01L	K22121803		28-			
C 8910	CHIP CAP.	0.01uF	50V	B	GRM188B11H103KA01D	K22174823		1-			
C 8911	CHIP CAP.	100pF	50V	CH	GRM1882C1H101JA01D	K22174235		1-			
C 8911	CHIP CAP.	15pF	50V	CH	GRM1882C1H150JA01D	K22174215		28-			
C 8912	CHIP CAP.	0.01uF	50V	B	GRM188B11H103KA01D	K22174823		1-			
C 8913	CHIP CAP.	0.01uF	50V	B	GRM188B11H103KA01D	K22174823		1-			
C 8914	AL.ELECTRO.CAP.	10uF	35V		ECEV1VA100WR	K48160004		1-			
C 8914	AL.ELECTRO.CAP.	10uF	35V		EEE1VA100WR	K48160006		9-			
C 8914	CHIP CAP.	1uF	16V	B	GRM31MB11C105KA01L	K22121803		28-			
C 8915	CHIP CAP.	0.01uF	50V	B	GRM188B11H103KA01D	K22174823		1-			
C 8916	AL.ELECTRO.CAP.	0.47uF	50V		ECEV1HAR47SR	K48170013		1-15			
C 8916	AL.ELECTRO.CAP.	0.47uF	50V		EEE1HAR47SR	K48170023	CE Type	16-27			
C 8916	AL.ELECTRO.CAP.	0.47uF	50V		ECEV1HAR47SR	K48170013		16-27			
C 8917	CHIP CAP.	0.01uF	50V	B	GRM188B11H103KA01D	K22174823		1-27			
C 8918	CHIP CAP.	8pF	50V	CH	GRM1882C1H8R0DZ01D	K22174209		1-			
C 8918	CHIP CAP.	7pF	50V	CH	GRM1882C1H7R0DZ01D	K22174208		28-			
C 8919	CHIP CAP.	0.01uF	50V	B	GRM188B11H103KA01D	K22174823		1-			
C 8920	CHIP CAP.	0.047uF	16V	B	GRM39B473K16PT	K22124804		1-			
C 8920	CHIP CAP.	0.047uF	25V	B	GRM188B11E473KA01D	K22144811		27-			
C 8921	CHIP CAP.	0.01uF	50V	B	GRM188B11H103KA01D	K22174823		1-			
C 8922	CHIP CAP.	0.047uF	16V	B	GRM39B473K16PT	K22124804		1-			
C 8922	CHIP CAP.	0.047uF	25V	B	GRM188B11E473KA01D	K22144811		27-			
C 8923	CHIP CAP.	0.01uF	50V	B	GRM188B11H103KA01D	K22174823		1-			
C 8924	CHIP CAP.	0.01uF	50V	B	GRM188B11H103KA01D	K22174823		1-			
C 8925	CHIP CAP.	0.01uF	50V	B	GRM188B11H103KA01D	K22174823		1-			
C 8925	CHIP CAP.	0.001uF	50V	B	GRM188B11H102KA01D	K22174821		28-			
C 8926	CHIP CAP.	0.047uF	16V	B	GRM39B473K16PT	K22124804		1-			
C 8926	CHIP CAP.	0.047uF	25V	B	GRM188B11E473KA01D	K22144811		27-			
C 8927	CHIP CAP.	0.047uF	16V	B	GRM39B473K16PT	K22124804		1-			
C 8927	CHIP CAP.	0.047uF	25V	B	GRM188B11E473KA01D	K22144811		27-			
C 8928	CHIP CAP.	0.047uF	16V	B	GRM39B473K16PT	K22124804		1-			
C 8928	CHIP CAP.	0.047uF	25V	B	GRM188B11E473KA01D	K22144811		27-			
C 8929	CHIP CAP.	0.01uF	50V	B	GRM188B11H103KA01D	K22174823		1-			
C 8930	AL.ELECTRO.CAP.	10uF	35V		ECEV1VA100WR	K48160004		1-			
C 8930	AL.ELECTRO.CAP.	10uF	35V		EEE1VA100WR	K48160006		9-			
C 8931	CHIP CAP.	0.047uF	16V	B	GRM39B473K16PT	K22124804		1-			
C 8931	CHIP CAP.	0.047uF	25V	B	GRM188B11E473KA01D	K22144811		27-			
C 8932	CHIP CAP.	0.047uF	16V	B	GRM39B473K16PT	K22124804		1-			
C 8932	CHIP CAP.	0.047uF	25V	B	GRM188B11E473KA01D	K22144811		27-			
C 8933	CHIP CAP.	9pF	50V	CH	GRM1882C1H9R0DZ01D	K22174210		1-			
C 8934	CHIP CAP.	0.01uF	50V	B	GRM188B11H103KA01D	K22174823		1-			
C 8935	CHIP CAP.	10pF	50V	CH	GRM1882C1H100JA01D	K22174211		1-			
C 8936	CHIP CAP.	15pF	50V	CH	GRM1882C1H150JA01D	K22174215		1-			
C 8937	CHIP CAP.	0.01uF	50V	B	GRM188B11H103KA01D	K22174823		1-			
C 8938	CHIP CAP.	0.01uF	50V	B	GRM188B11H103KA01D	K22174823		1-			
C 8940	CHIP CAP.	0.01uF	50V	B	GRM188B11H103KA01D	K22174823		1-			
C 8941	AL.ELECTRO.CAP.	10uF	35V		ECEV1VA100WR	K48160004		1-			
C 8941	AL.ELECTRO.CAP.	10uF	35V		EEE1VA100WR	K48160006		9-			
C 8942	CHIP CAP.	0.01uF	50V	B	GRM188B11H103KA01D	K22174823		1-			
C 8943	CHIP CAP.	470pF	50V	CH	GRM1882C1H471JA01D	K22174249		28-			
CF8901	CERAMIC FILTER				ELFY455H	H3900548		1-			
CF8901	CERAMIC FILTER				ALFYM455H=K	H3900542		28-			
CF8902	CERAMIC FILTER				CFJ455K8	H3900553		1-			
CF8903	CERAMIC FILTER				SFSRA6M50DF00-B0	H3900560		1-			
CF8904	CERAMIC FILTER				SFSRA6M50DF00-B0	H3900560		1-			
CF8905	CERAMIC FILTER				ALFYM455H=K	H3900542		28-			
D 8901	DIODE				RN731V TE-17	G2070898		1-			
D 8902	DIODE				HSB88WS TR-E	G2070290		1-			
J 8901	CONNECTOR				IMSA-9133S-09D	P1091211		1-			
J 8902	CONNECTOR				IMSA-9133S-06D	P1090867		1-			

# SCP-2 Unit (D, MP Type, RXU-9000)

## Parts List

REF	DESCRIPTION	VALUE	V/W	TOL.	MFR'S DESIG	YAESU P/N	VERS.	LOT	SIDE	LAY	ADR
L 8901	M.RFC	4.7uH			LK2125 4R7K-T	L1690327		1-			
L 8902	M.RFC	33uH			LLM3225-330J	L1691139		1-			
L 8904	M.RFC	100uH			LLM3225-101J	L1691145		1-			
Q 8901	TRANSISTOR				2SC4154-T111-1E	G3341548E		1-			
Q 8901	TRANSISTOR				2SC4081 T106	G3340818		29-			
Q 8902	FET				SST310-T1	G4070009		1-			
Q 8903	IC				LMV321IDCKR	G1093969		1-			
Q 8904	IC				SN74LVC2G66DCTR	G1094049		1-			
Q 8905	IC				NJM78L05UA-TE1	G1091325		1-27			
Q 8906	FET				3SK131-T2B V12	G4801317B		1-			
Q 8907	IC				SN74LVC2G66DCTR	G1094049		1-			
Q 8908	IC				NJU7007F3-TE1	G1093617		1-27			
Q 8909	IC				BH4138FV-E2	G1093713		1-			
Q 8910	TRANSISTOR				2SC2714Y(TE85R.F)	G3327147Y		1-			
Q 8911	IC				MM1593EFBEG	G1094300		28-			
R 8901	CHIP RES.	10k	1/16W	5%	RMC1/16 103JATP	J24185103		1-			
R 8902	CHIP RES.	0	1/16W	5%	RMC1/16 000JATP	J24185000		1-			
R 8903	CHIP RES.	10k	1/16W	5%	RMC1/16 103JATP	J24185103		1-			
R 8904	CHIP RES.	1k	1/16W	5%	RMC1/16 102JATP	J24185102		1-			
R 8905	CHIP RES.	220k	1/16W	5%	RMC1/16 224JATP	J24185224		1-			
R 8905	CHIP RES.	240k	1/16W	1%	RMC1/16 244FTP	J24183244		28-			
R 8906	CHIP RES.	150	1/16W	5%	RMC1/16 151JATP	J24185151		1-			
R 8908	CHIP RES.	270k	1/16W	5%	RMC1/16 274JATP	J24185274		1-			
R 8908	CHIP RES.	270k	1/16W	1%	RMC1/16 274FTP	J24183274		28-			
R 8909	CHIP RES.	0	1/16W	5%	RMC1/16 000JATP	J24185000		1-			
R 8910	CHIP RES.	0	1/16W	5%	RMC1/16 000JATP	J24185000		1-			
R 8911	CHIP RES.	100	1/16W	5%	RMC1/16 101JATP	J24185101		1-			
R 8912	CHIP RES.	1k	1/16W	5%	RMC1/16 102JATP	J24185102		1-			
R 8913	CHIP RES.	10k	1/16W	5%	RMC1/16 103JATP	J24185103		1-			
R 8914	CHIP RES.	39k	1/16W	5%	RMC1/16 393JATP	J24185393		1-			
R 8914	CHIP RES.	27k	1/16W	5%	RMC1/16 273JATP	J24185273		28-			
R 8915	CHIP RES.	100	1/16W	5%	RMC1/16 101JATP	J24185101		1-			
R 8916	CHIP RES.	100k	1/16W	5%	RMC1/16 104JATP	J24185104		1-			
R 8916	CHIP RES.	10k	1/16W	5%	RMC1/16 103JATP	J24185103		28-			
R 8917	CHIP RES.	33k	1/16W	5%	RMC1/16 333JATP	J24185333		1-			
R 8918	CHIP RES.	100k	1/16W	5%	RMC1/16 104JATP	J24185104		1-			
R 8919	CHIP RES.	10k	1/16W	5%	RMC1/16 103JATP	J24185103		1-			
R 8920	CHIP RES.	680	1/16W	5%	RMC1/16 681JATP	J24185681		1-			
R 8921	CHIP RES.	47k	1/16W	5%	RMC1/16 473JATP	J24185473		1-			
R 8922	CHIP RES.	47k	1/16W	5%	RMC1/16 473JATP	J24185473		1-			
R 8923	CHIP RES.	10k	1/16W	5%	RMC1/16 103JATP	J24185103		1-27			
R 8925	CHIP RES.	100	1/16W	5%	RMC1/16 101JATP	J24185101		1-			
R 8926	CHIP RES.	10k	1/16W	5%	RMC1/16 103JATP	J24185103		1-			
R 8927	CHIP RES.	10k	1/16W	5%	RMC1/16 103JATP	J24185103		1-			
R 8928	CHIP RES.	0	1/16W	5%	RMC1/16 000JATP	J24185000		1-27			
R 8929	CHIP RES.	47k	1/16W	5%	RMC1/16 473JATP	J24185473		1-			
R 8930	CHIP RES.	47k	1/16W	5%	RMC1/16 473JATP	J24185473		1-			
R 8932	CHIP RES.	15k	1/16W	5%	RMC1/16 153JATP	J24185153		1-27			
R 8933	CHIP RES.	10	1/16W	5%	RMC1/16 100JATP	J24185100		1-			
R 8934	CHIP RES.	150	1/16W	5%	RMC1/16 151JATP	J24185151		1-			
R 8935	CHIP RES.	10	1/16W	5%	RMC1/16 100JATP	J24185100		1-			
R 8936	CHIP RES.	100	1/16W	5%	RMC1/16 101JATP	J24185101		1-			
R 8937	CHIP RES.	470	1/16W	5%	RMC1/16 471JATP	J24185471		1-			
R 8938	CHIP RES.	1k	1/16W	5%	RMC1/16 102JATP	J24185102		1-			
R 8940	CHIP RES.	47	1/16W	5%	RMC1/16 470JATP	J24185470		1-			
R 8941	CHIP RES.	22k	1/16W	5%	RMC1/16 223JATP	J24185223		1-			
R 8942	CHIP RES.	10k	1/16W	5%	RMC1/16 103JATP	J24185103		1-			
R 8943	CHIP RES.	0	1/16W	5%	RMC1/16 000JATP	J24185000		1-			
R 8944	CHIP RES.	1k	1/16W	5%	RMC1/16 102JATP	J24185102		1-27			
R 8945	CHIP RES.	330	1/16W	5%	RMC1/16 331JATP	J24185331		1-			
R 8945	CHIP RES.	470	1/16W	5%	RMC1/16 471JATP	J24185471		28-			
R 8946	CHIP RES.	330	1/16W	5%	RMC1/16 331JATP	J24185331		1-			
R 8946	CHIP RES.	470	1/16W	5%	RMC1/16 471JATP	J24185471		28-			
R 8947	CHIP RES.	3.3k	1/16W	5%	RMC1/16 332JATP	J24185332		1-			
R 8947	CHIP RES.	3.9k	1/16W	5%	RMC1/16 392JATP	J24185392		28-			
R 8948	CHIP RES.	10k	1/16W	5%	RMC1/16 103JATP	J24185103		28-			
R 8949	CHIP RES.	100	1/16W	5%	RMC1/16 101JATP	J24185101		44-			
T 8901	COIL 05RF	40.455MHz			40.455MHz	L0022864		1-			
T 8902	COIL 05RF	40.455MHz			40.455MHz	L0022864		1-			
T 8903	COIL WIDE-TRANS.				010812305	L0022795		1-			
T 8904	COIL WIDE-TRANS.				010812305	L0022795		1-			
T 8905	COIL 05RF	6.5MHz			6.5MHz	L0022866		1-			
T 8905	COIL 05RF	6.2MHz			6.2MHz	L0023029		28-			

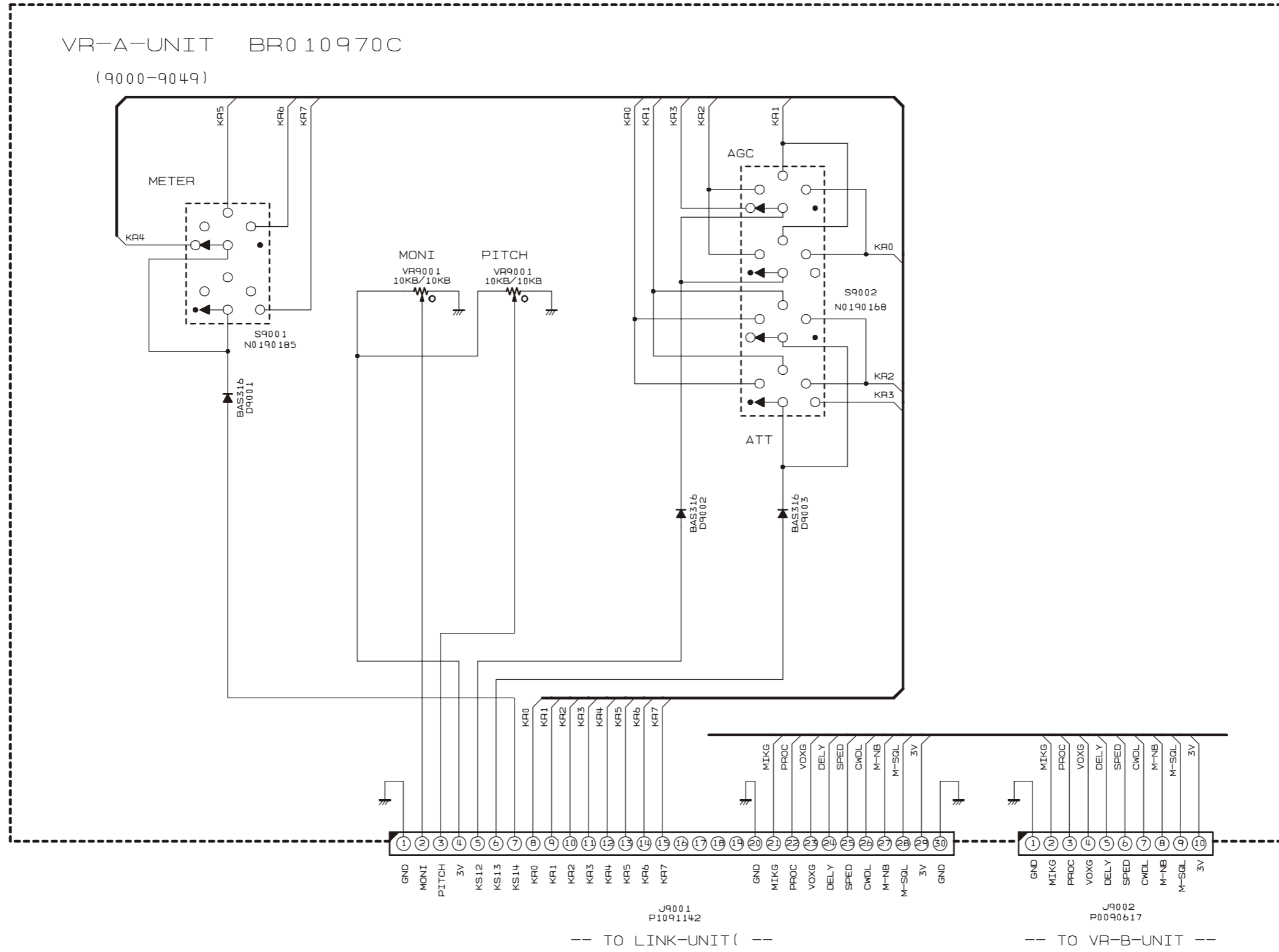
# SCP-2 Unit (D, MP Type, RXU-9000)

## Parts List

REF	DESCRIPTION	VALUE	V/W	TOL.	MFR'S DESIG	YAESU P/N	VERS.	LOT	SIDE	LAY ADR
T 8906	COIL 05RF	33.995MHz			33.995MHz	L0022865		1-		
TH8901	THERMISTOR				157-501-53009TP	G9090058		1-		
TP8901	CHECK TERMINAL				RCT00000C	Q5000103		1-27		
TP8902	CHECK TERMINAL				RCT00000C	Q5000103		1-		
TP8903	CHECK TERMINAL				RCT00000C	Q5000103		1-		
VR8901	POT.	10k			RH03A3A14X 10K	J51807103		1-		
VR8901	POT.	10k			TMC3A3A14X	J51838103		45-		
VR8902	POT.	47k			RH03A3AS4X 47K	J51807473		1-27		

# *SCP-2 Unit (D, MP Type, RXU-9000)*

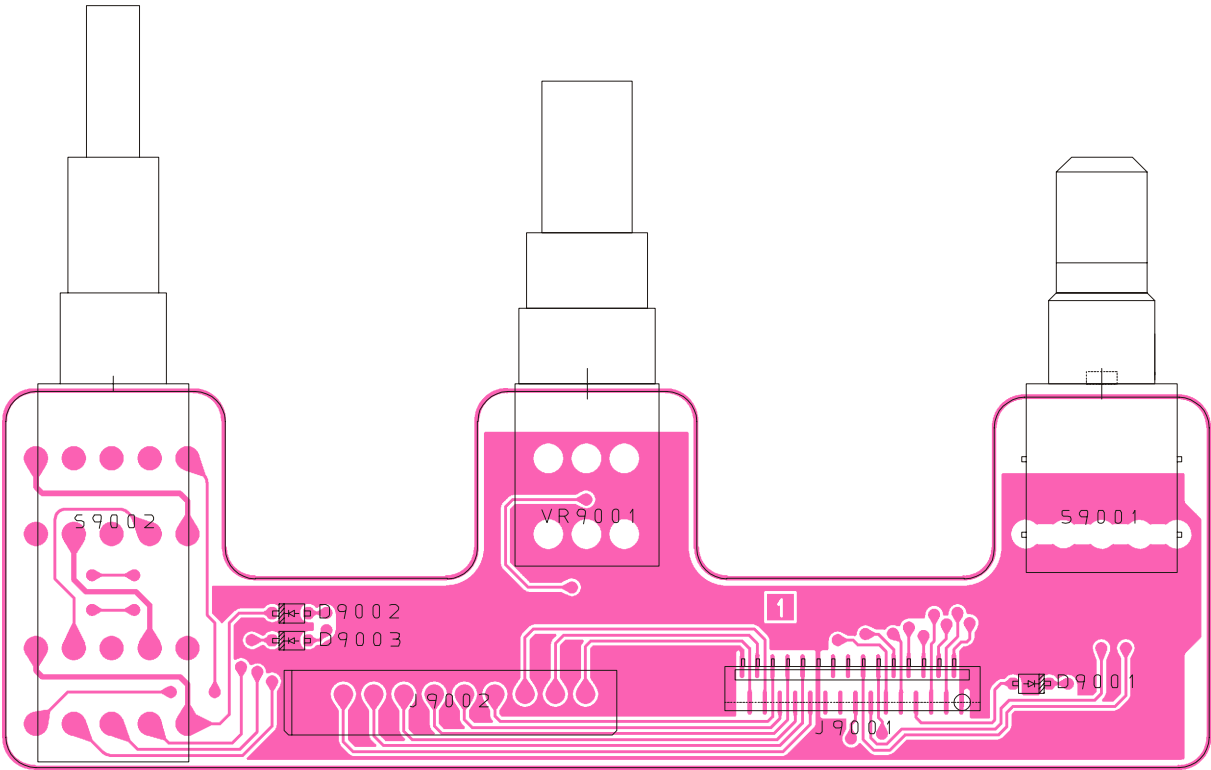
*Note*



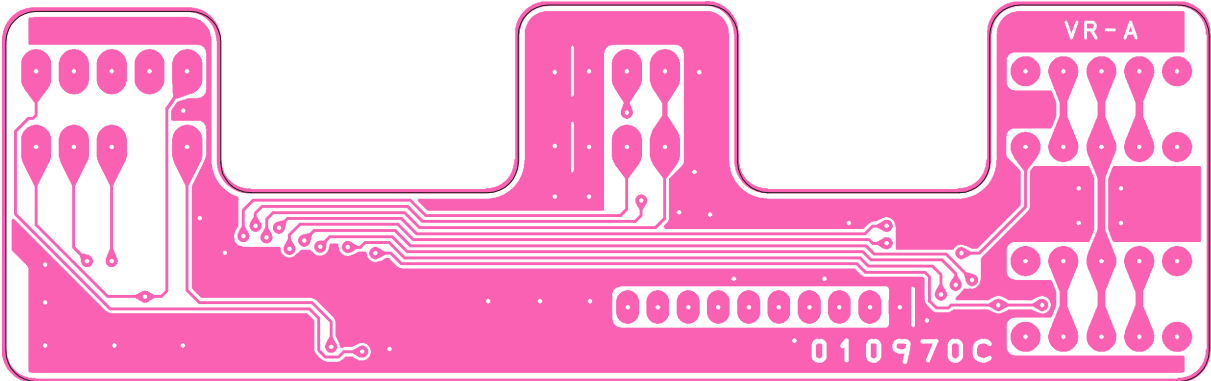


**VR-A Unit**

**Parts Layout**



Side A



Side B

# VR-A Unit

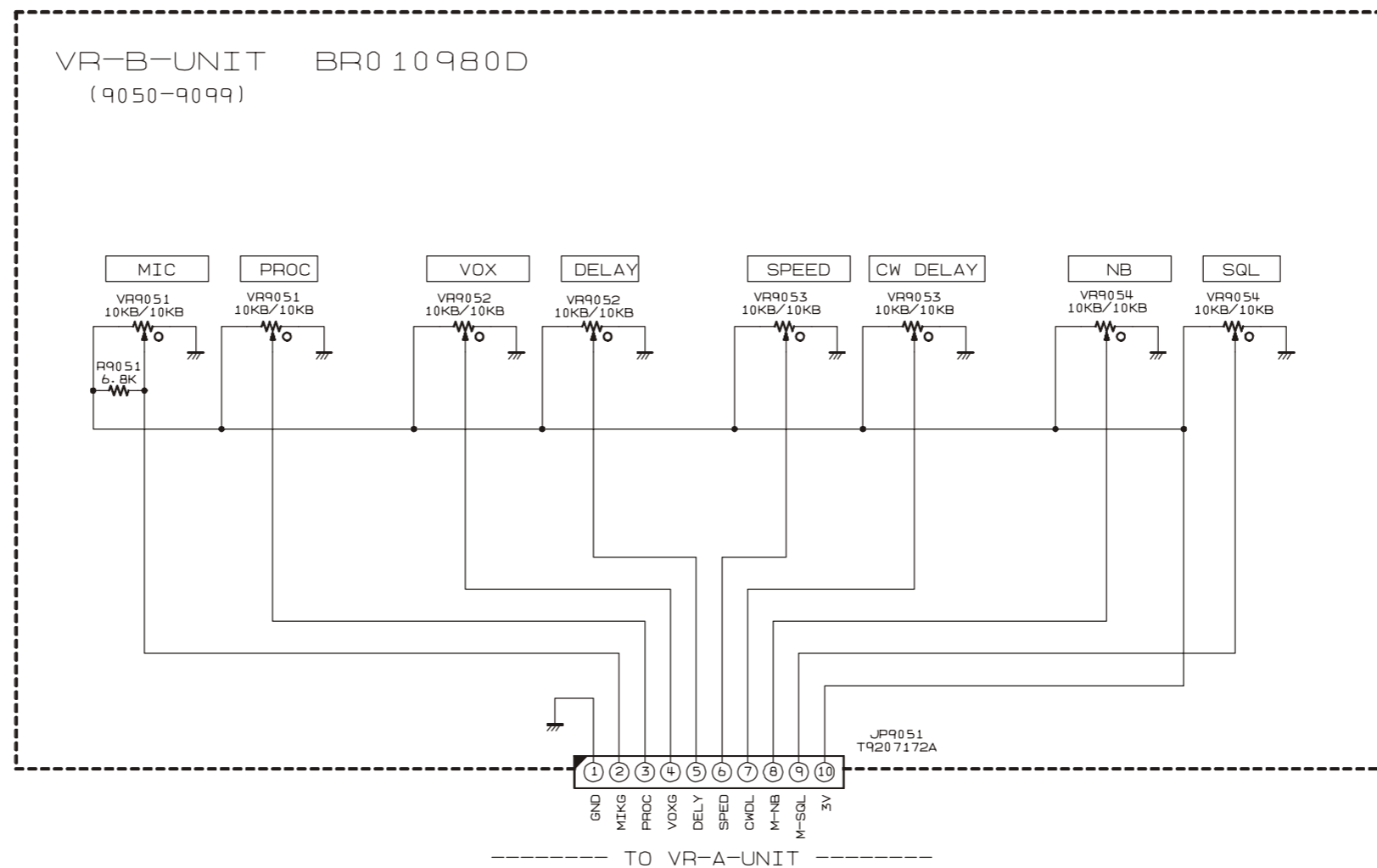
## Parts List

REF	DESCRIPTION	VALUE	V/W	TOL.	MFR'S DESIG	VXSTD P/N	VERS.	LOT	SIDE	LAY ADR
	PCB with Components					CB2598001				
	Printed Circuit Board					FR010970C		1-		
D 9001	DIODE				BAS316	G2070716		1-	A	
D 9002	DIODE				BAS316	G2070716		1-	A	
D 9003	DIODE				BAS316	G2070716		1-	A	
J 9001	CONNECTOR				30FLT-SM1-TB	P1091142		1-	A	
J 9002	CONNECTOR				SB20-10WS	P0090617		1-	A	
S 9001	ROTARY SWITCH				SRBM154002	N0190185		1-	A	
S 9002	ROTARY SWITCH				SRBM25021A	N0190168		1-	A	
VR9001	POT.				RK0972210-F20-C0-B103	J62800143		1-	A	

# *VR-A Unit*

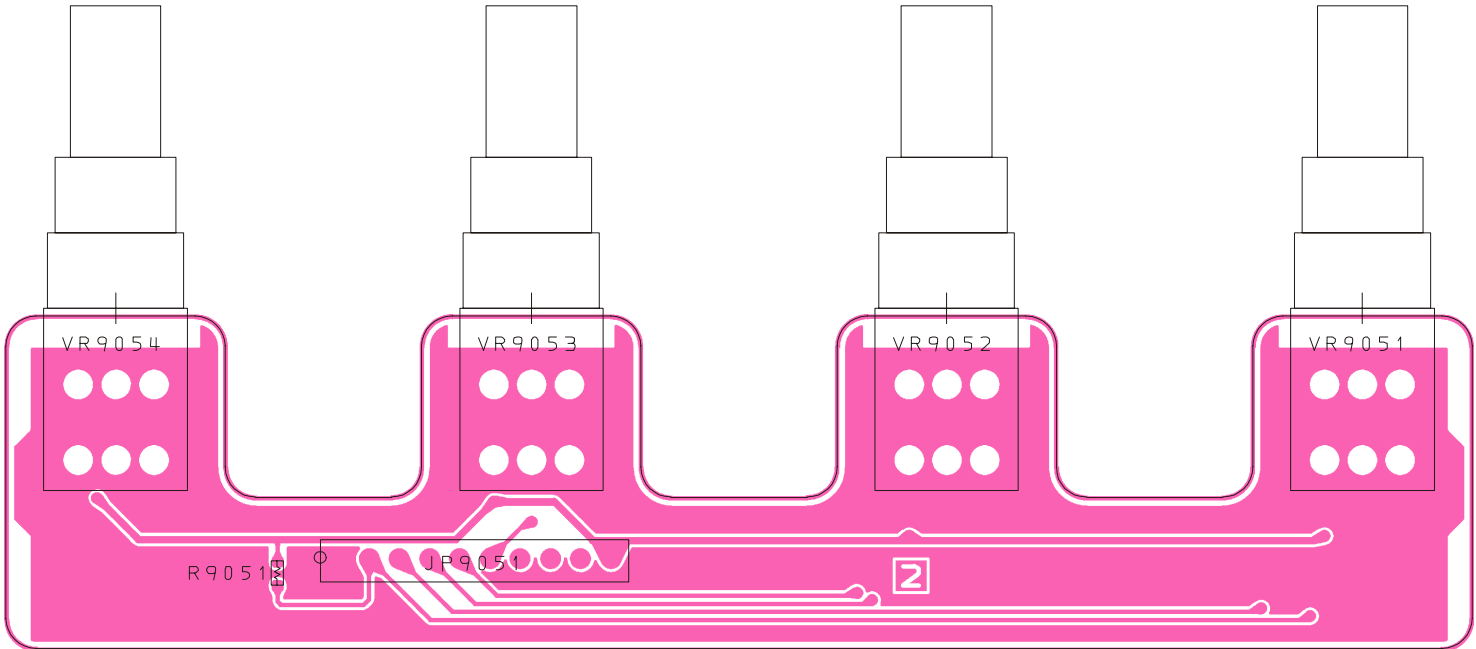
*Note*

**VR-B Unit**  
**Circuit Diagram**

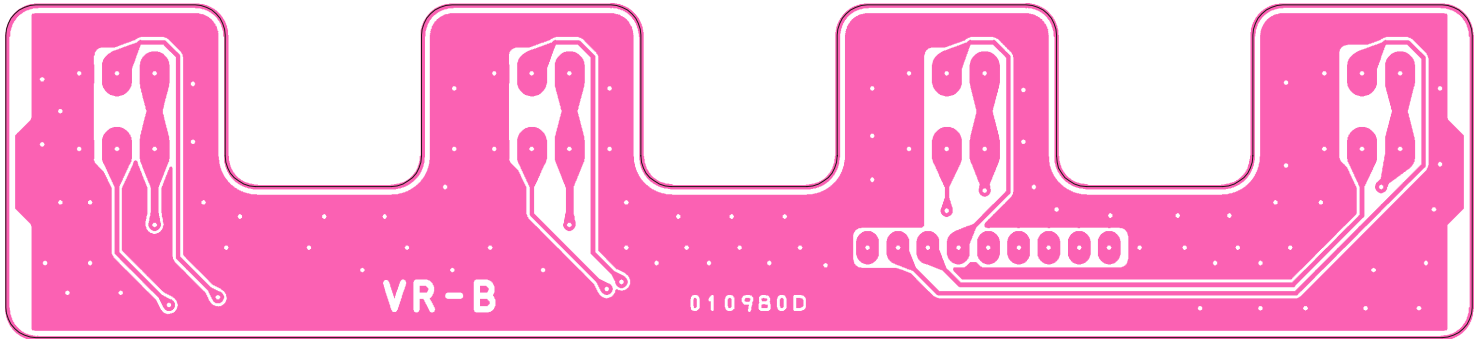


**VR-B Unit**

**Parts Layout**



Side A



Side B

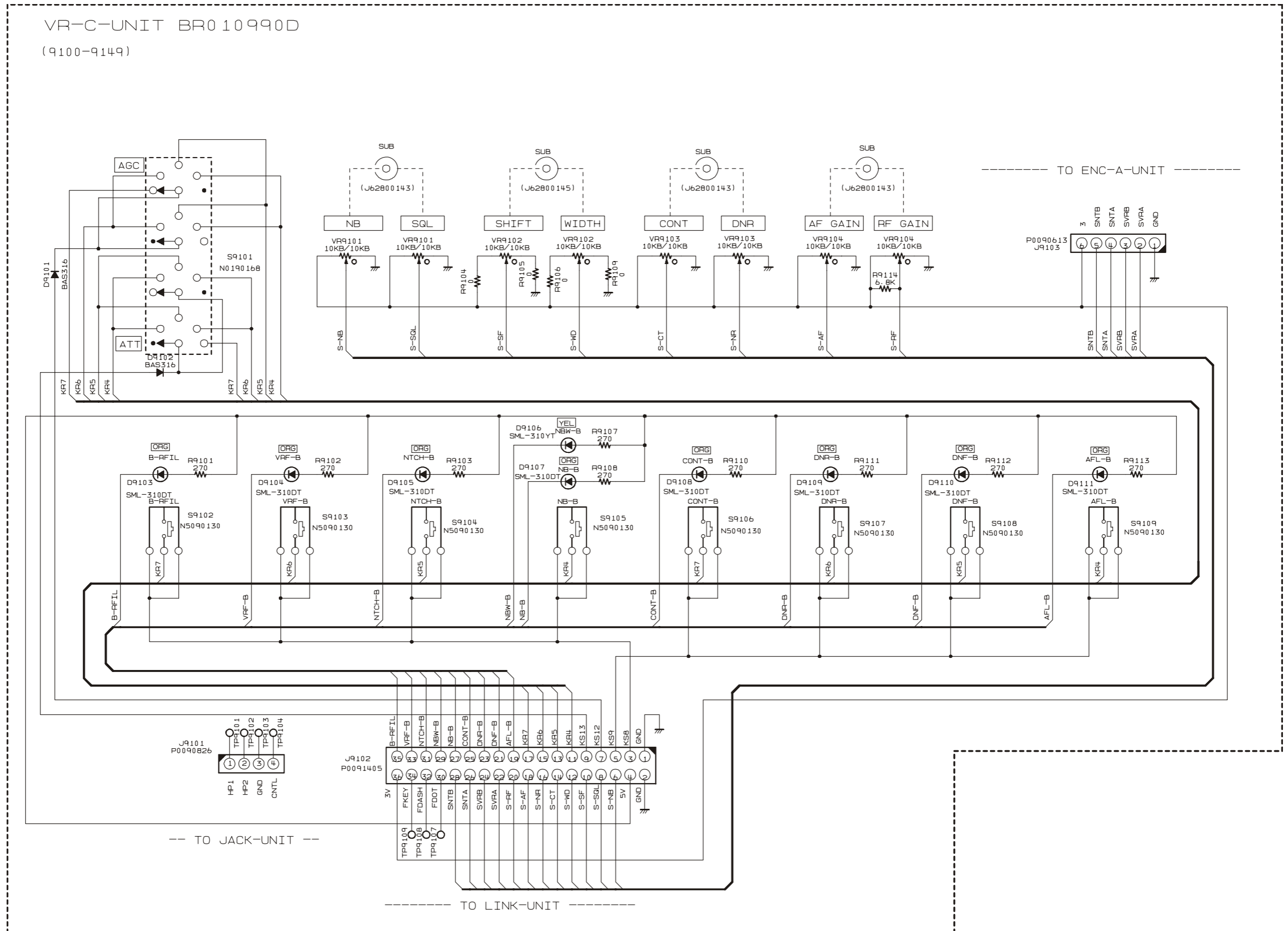
# VR-B Unit

## Parts List

REF	DESCRIPTION	VALUE	V/W	TOL.	MFR'S DESIG	VXSTD P/N	VERS.	LOT	SIDE	LAY ADR
	PCB with Components					CB2599001				
	Printed Circuit Board					FR010980D		1-		
JP9051	WIRE ASSY				AH010H	T9207172A		1-	A	
R 9051	CHIP RES.	6.8k	1/16W	5%	RMC1/16 682JATP	J24185682		1-	A	
VR9051	POT.				RK0972210-F20-C0-B103	J62800143		1-	A	
VR9052	POT.				RK0972210-F20-C0-B103	J62800143		1-	A	
VR9053	POT.				RK0972210-F20-C0-B103	J62800143		1-	A	
VR9054	POT.				RK0972210-F20-C0-B103	J62800143		1-	A	

# *VR-B Unit*

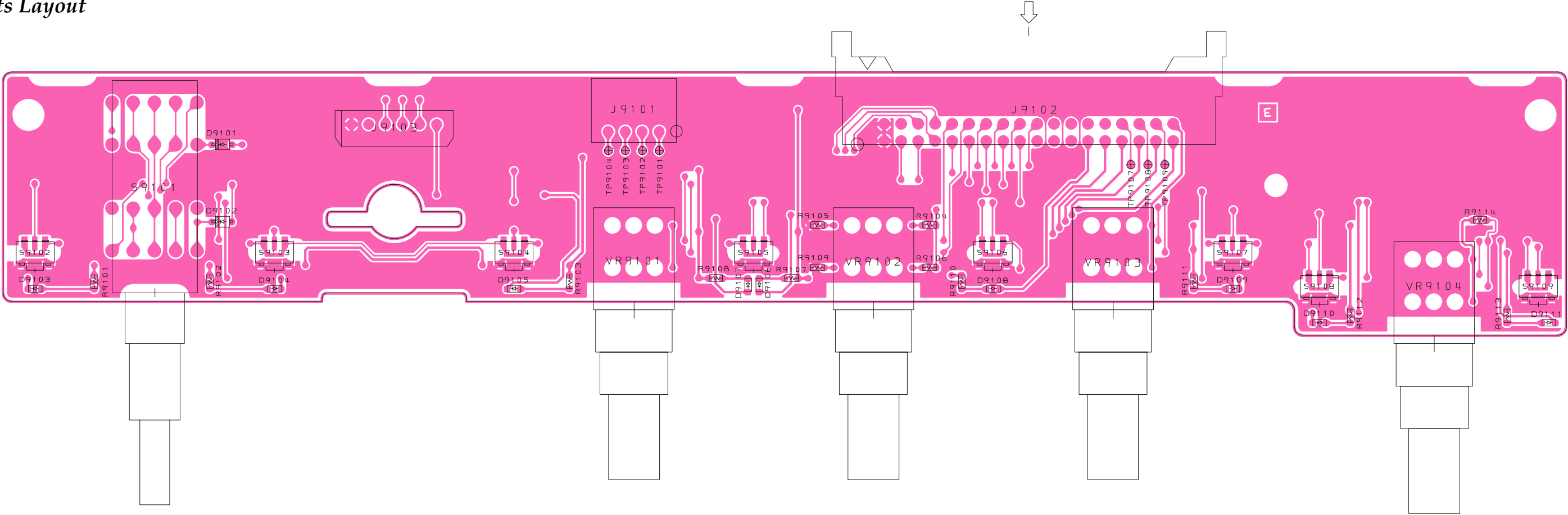
*Note*



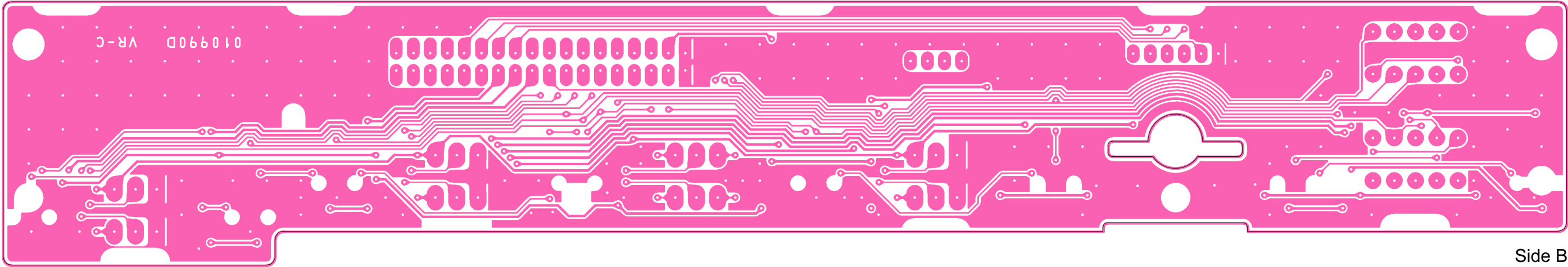


**VR-C Unit (RXU-9000)**

**Parts Layout**



Side A



Side B

# VR-C Unit

## Parts List

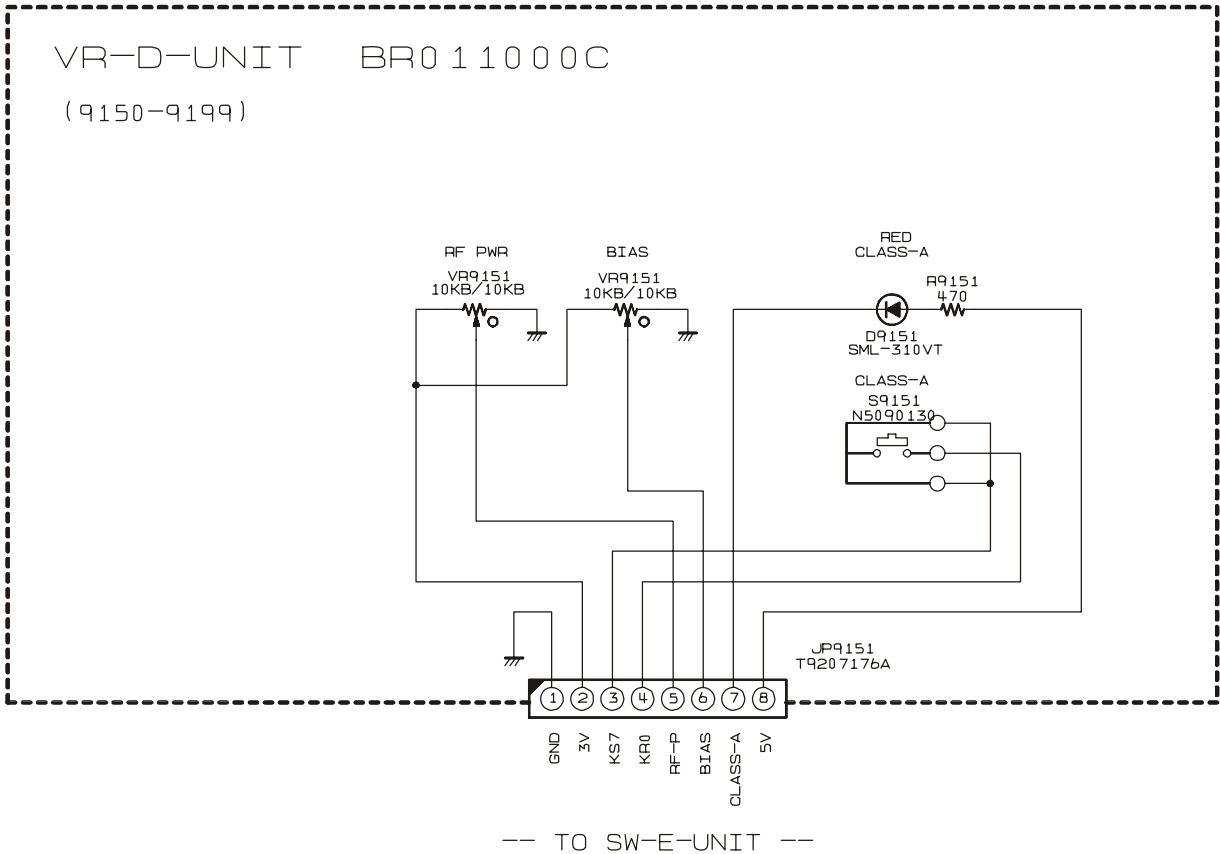
REF	DESCRIPTION	VALUE	V/W	TOL.	MFR'S DESIG	VXSTD P/N	VERS.	LOT	SIDE	LAY ADR
PCB with Components						CB2600001				
Printed Circuit Board						FR010990D		1-		
D 9101	DIODE				BAS316	G2070716		1-	A	A1
D 9102	DIODE				BAS316	G2070716		1-	A	A1
D 9103	LED				SML-310DTT86KL	G2071024		1-	A	A1
D 9104	LED				SML-310DTT86KL	G2071024		1-	A	B1
D 9105	LED				SML-310DTT86KL	G2071024		1-	A	C1
D 9106	LED				SML-310YTT86KL	G2071034		1-	A	C1
D 9107	LED				SML-310DTT86KL	G2071024		1-	A	C1
D 9108	LED				SML-310DTT86KL	G2071024		1-	A	D1
D 9109	LED				SML-310DTT86KL	G2071024		1-	A	E1
D 9110	LED				SML-310DTT86KL	G2071024		1-	A	F1
D 9111	LED				SML-310DTT86KL	G2071024		1-	A	G1
J 9101	CONNECTOR				SB20-04WL	P0090826		1-	A	C1
J 9102	CONNECTOR				LPC-B36M2LG	P0091405		1-	A	E1
J 9103	CONNECTOR				SB20-06WS	P0090613		1-	A	B1
R 9101	CHIP RES.	270	1/16W	5%	RMC1/16 271JATP	J24185271		1-	A	A1
R 9102	CHIP RES.	270	1/16W	5%	RMC1/16 271JATP	J24185271		1-	A	A1
R 9103	CHIP RES.	270	1/16W	5%	RMC1/16 271JATP	J24185271		1-	A	C1
R 9104	CHIP RES.	0	1/16W	5%	RMC1/16 000JATP	J24185000		1-	A	D1
R 9105	CHIP RES.	0	1/16W	5%	RMC1/16 000JATP	J24185000		1-	A	D1
R 9106	CHIP RES.	0	1/16W	5%	RMC1/16 000JATP	J24185000		1-	A	D1
R 9107	CHIP RES.	270	1/16W	5%	RMC1/16 271JATP	J24185271		1-	A	D1
R 9108	CHIP RES.	270	1/16W	5%	RMC1/16 271JATP	J24185271		1-	A	C1
R 9109	CHIP RES.	0	1/16W	5%	RMC1/16 000JATP	J24185000		1-	A	D1
R 9110	CHIP RES.	270	1/16W	5%	RMC1/16 271JATP	J24185271		1-	A	D1
R 9111	CHIP RES.	270	1/16W	5%	RMC1/16 271JATP	J24185271		1-	A	E1
R 9112	CHIP RES.	270	1/16W	5%	RMC1/16 271JATP	J24185271		1-	A	F1
R 9113	CHIP RES.	270	1/16W	5%	RMC1/16 271JATP	J24185271		1-	A	F1
R 9114	CHIP RES.	6.8k	1/16W	5%	RMC1/16 682JATP	J24185682		1-	A	F1
S 9101	ROTARY SWITCH				SRBM25021A	N0190168		1-	A	A1
S 9102	TACT SWITCH				SKRTLAE010	N5090130		1-	A	A1
S 9103	TACT SWITCH				SKRTLAE010	N5090130		1-	A	B1
S 9104	TACT SWITCH				SKRTLAE010	N5090130		1-	A	C1
S 9105	TACT SWITCH				SKRTLAE010	N5090130		1-	A	C1
S 9106	TACT SWITCH				SKRTLAE010	N5090130		1-	A	D1
S 9107	TACT SWITCH				SKRTLAE010	N5090130		1-	A	E1
S 9108	TACT SWITCH				SKRTLAE010	N5090130		1-	A	F1
S 9109	TACT SWITCH				SKRTLAE010	N5090130		1-	A	G1
VR9101	POT.				RK0972210-F20-C0-B103	J62800143		1-	A	C1
VR9102	POT.				RK0972210-F20-C1-B103	J62800145		1-	A	D1
VR9103	POT.				RK0972210-F20-C0-B103	J62800143		1-	A	E1
VR9104	POT.				RK0972210-F20-C0-B103	J62800143		1-	A	F1

# *VR-C Unit*

*Note*

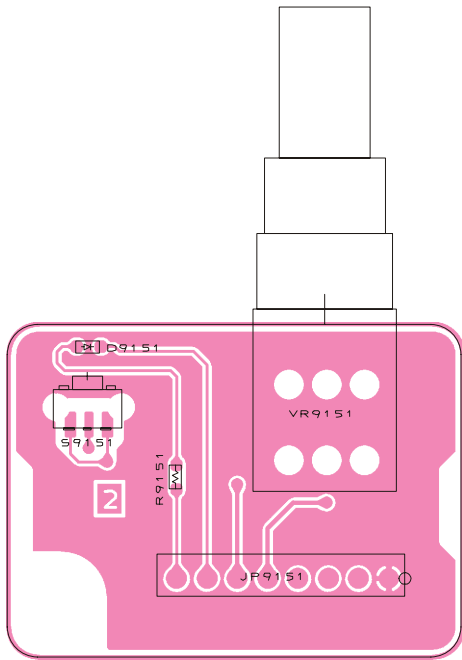
# VR-D Unit

## Circuit Diagram

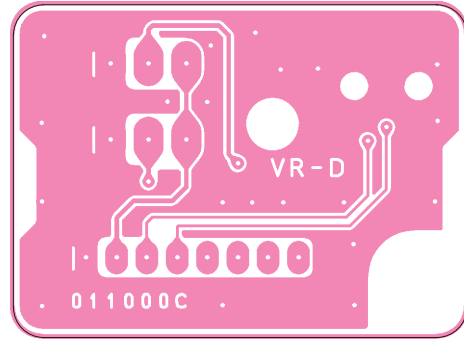


# VR-D Unit

## Parts Layout



Side A



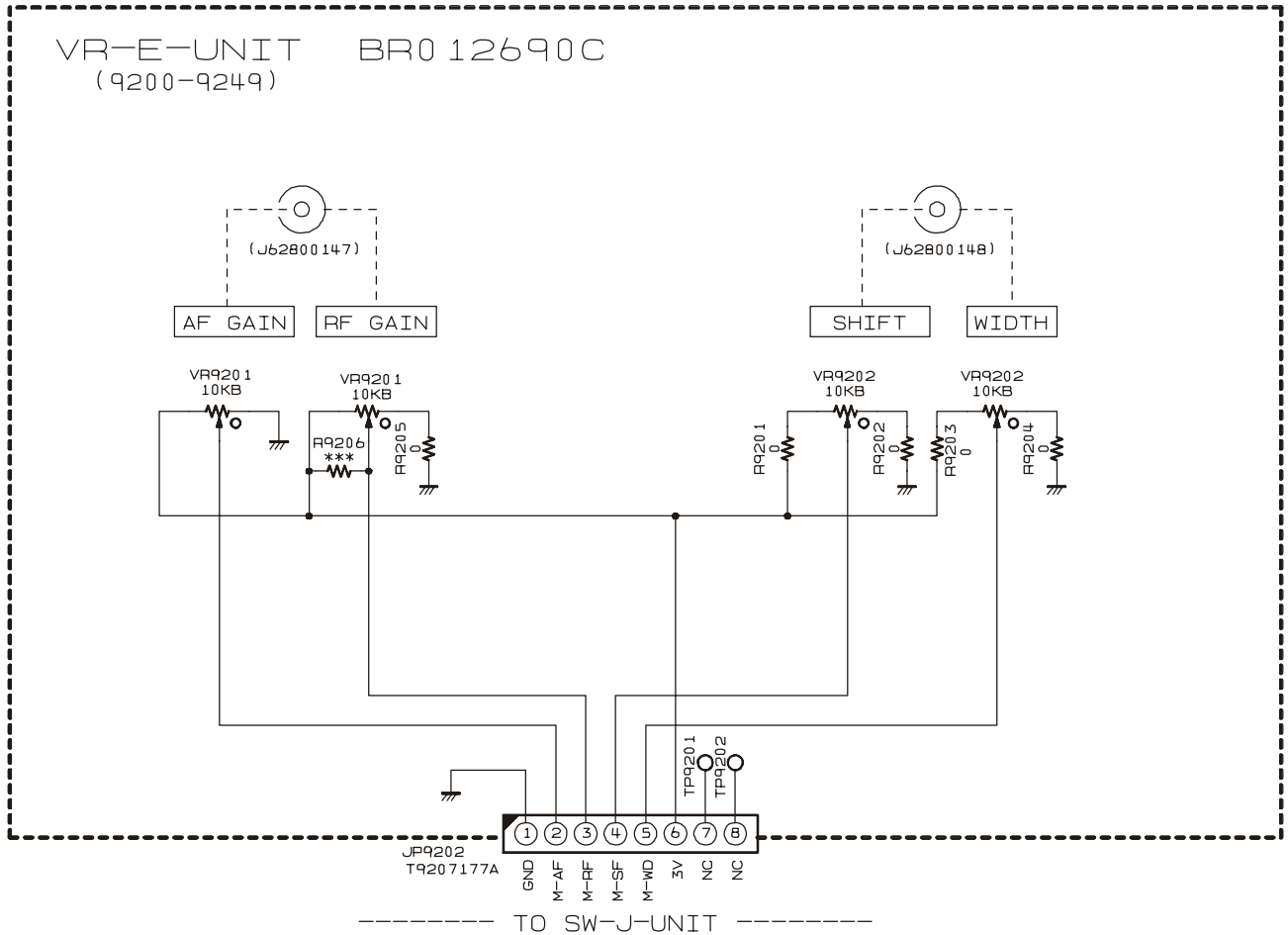
Side B

## Parts List

REF	DESCRIPTION	VALUE	V/W	TOL.	MFR'S DESIG	VXSTD P/N	VERS.	LOT	SIDE	LAY ADR
	PCB with Components					CB2601001				
	Printed Circuit Board					FR011000C		1-		
D 9151	LED				SML-310VTT86JK	G2071032		1-	A	
JP9151	WIRE ASSY				AH010H	T9207176A		1-	A	
R 9151	CHIP RES.	470	1/16W	5%	RMC1/16 471JATP	J24185471		1-	A	
S 9151	TACT SWITCH				SKRTLAE010	N5090130		1-	A	
VR9151	POT.				RK0972210-F20-C0-B103	J62800143		1-	A	

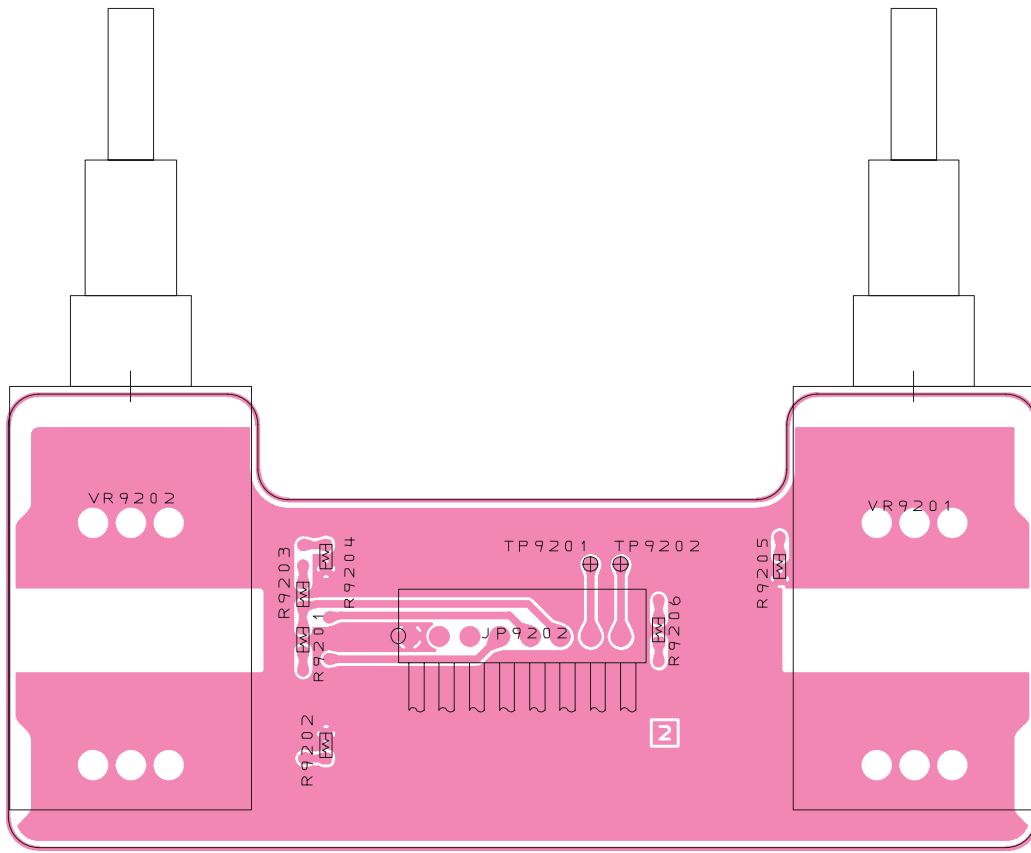
# VR-E Unit

## Circuit Diagram

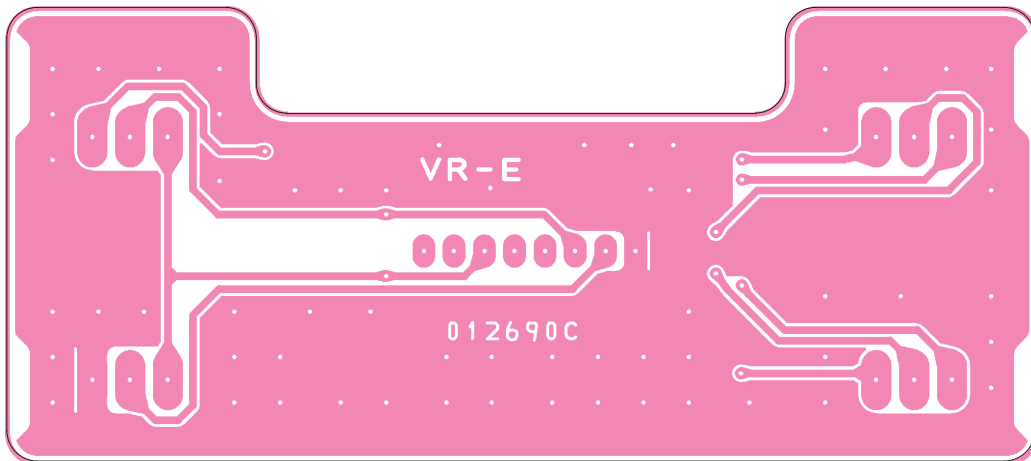


# VR-E Unit

## Parts Layout



Side A



Side B

# VR-E Unit

## Parts List

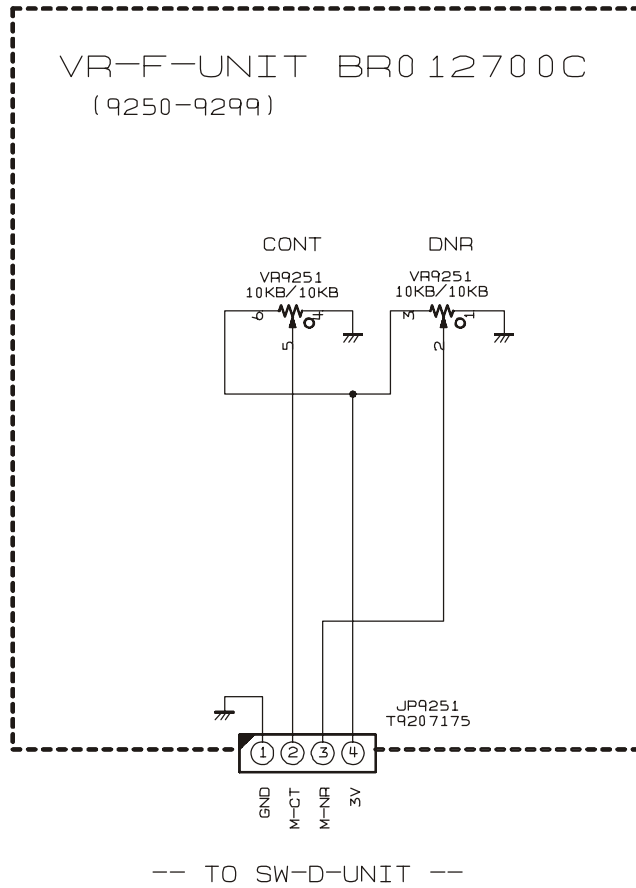
REF	DESCRIPTION	VALUE	V/W	TOL.	MFR'S DESIG	VXSTD P/N	VERS.	LOT	SIDE	LAY ADR
PCB with Components						CB3047001				
Printed Circuit Board						FR012690C		1-		
JP9202	WIRE ASSY				AH010H	T9207177A		1-	A	
R 9201	CHIP RES.	0	1/16W	5%	RMC1/16 000JATP	J24185000		1-	A	
R 9202	CHIP RES.	0	1/16W	5%	RMC1/16 000JATP	J24185000		1-	A	
R 9203	CHIP RES.	0	1/16W	5%	RMC1/16 000JATP	J24185000		1-	A	
R 9204	CHIP RES.	0	1/16W	5%	RMC1/16 000JATP	J24185000		1-	A	
R 9205	CHIP RES.	1k	1/16W	5%	RMC1/16 102JATP	J24185102		1	A	
R 9205	CHIP RES.	0	1/16W	5%	RMC1/16 000JATP	J24185000		2-	A	
R 9206	CHIP RES.	10k	1/16W	5%	RMC1/16 103JATP	J24185103		1	A	
VR9201	POT.				CP631-DS B10K	J62800147		1-	A	
VR9202	POT.				CP631C-DS B10K	J62800148		1-	A	



# *VR-E Unit*

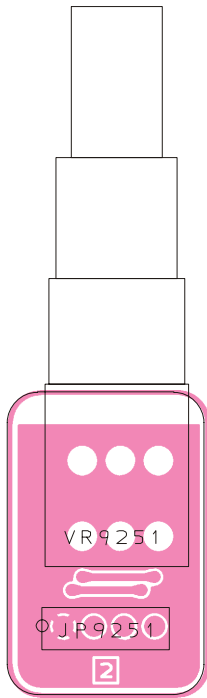
*Note*

# VR-F Unit Circuit Diagram

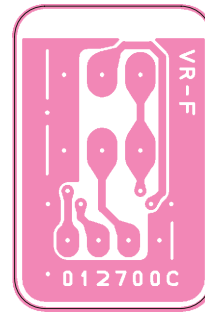


# VR-F Unit

## Parts Layout



Side A

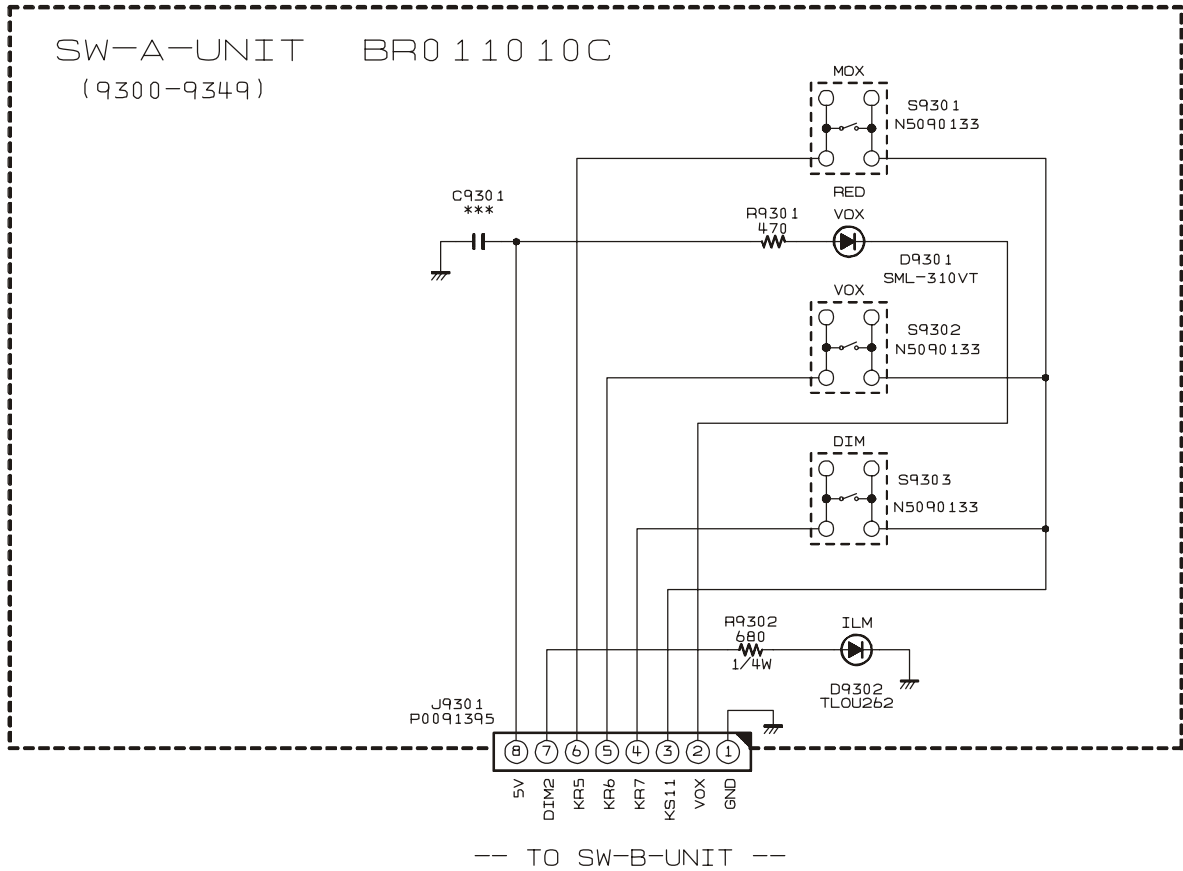


Side B

## Parts List

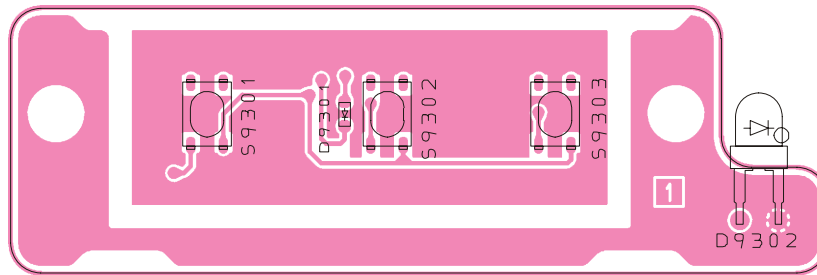
REF	DESCRIPTION	VALUE	V/W	TOL.	MFR'S DESIG	VXSTD P/N	VERS.	LOT	SIDE	LAY ADR
	PCB with Components					CB3048001				
	Printed Circuit Board					FR012700C		1-		
JP9251	WIRE ASSY				AH010H	T9207175		1-		
VR9251	POT.				RK0972210-F25-C0-B103	J62800144		1-		

# SW-A Unit Circuit Diagram

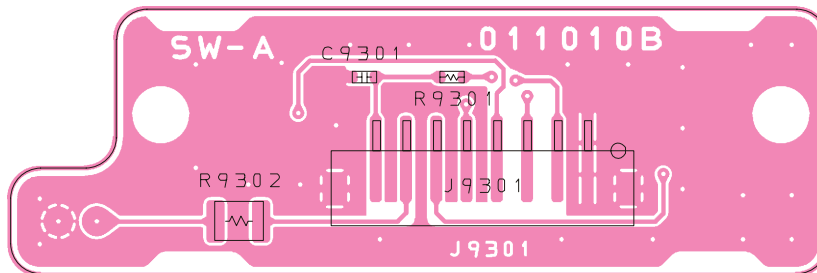


# SW-A Unit

## Parts Layout



Side A



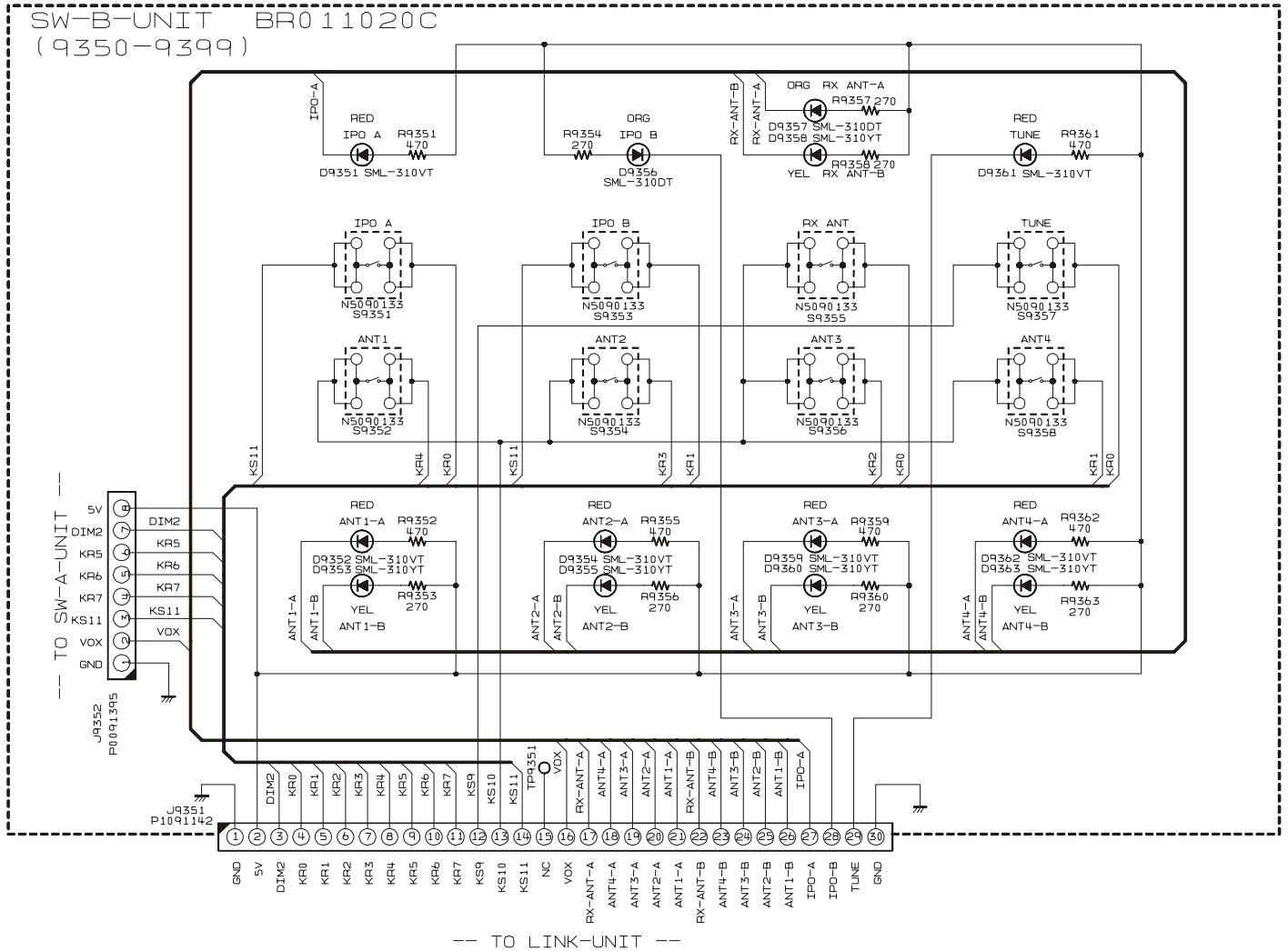
Side B

## Parts List

REF	DESCRIPTION	VALUE	V/W	TOL.	MFR'S DESIG	VXSTD P/N	VERS.	LOT	SIDE	LAY ADR
PCB with Components						CB2602001				
Printed Circuit Board						FR011010B		1-		
D 9301	LED				SML-310VTT86JK	G2071032		1-	A	
D 9302	LED				TLOU262	G2090763		1-	A	
J 9301	CONNECTOR				B8B-PH-SM3-TBT	P0091395		1-	B	
R 9301	CHIP RES.	470	1/16W	5%	RMC1/16 471JATP	J24185471		1-	B	
R 9302	CHIP RES.	680	1/4W	5%	RMC1/4 681JATP	J24245681		1-	B	
S 9301	TACT SWITCH				SKRPABE010	N5090133		1-	A	
S 9302	TACT SWITCH				SKRPABE010	N5090133		1-	A	
S 9303	TACT SWITCH				SKRPABE010	N5090133		1-	A	
	LED SPACER				LH-5-4	S6000237		1-		

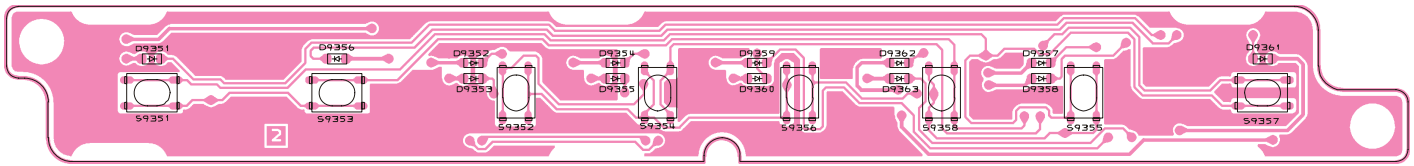
# SW-B Unit

## Circuit Diagram

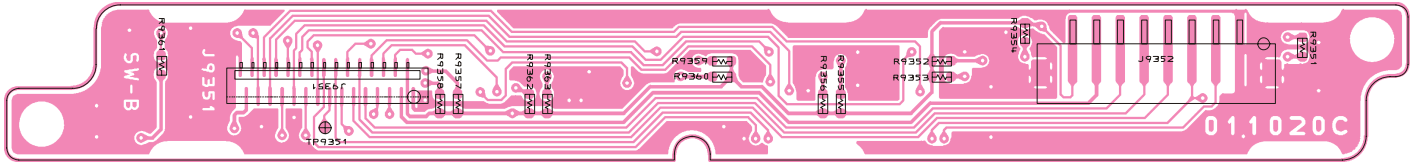


# SW-B Unit

## Parts Layout



Side A



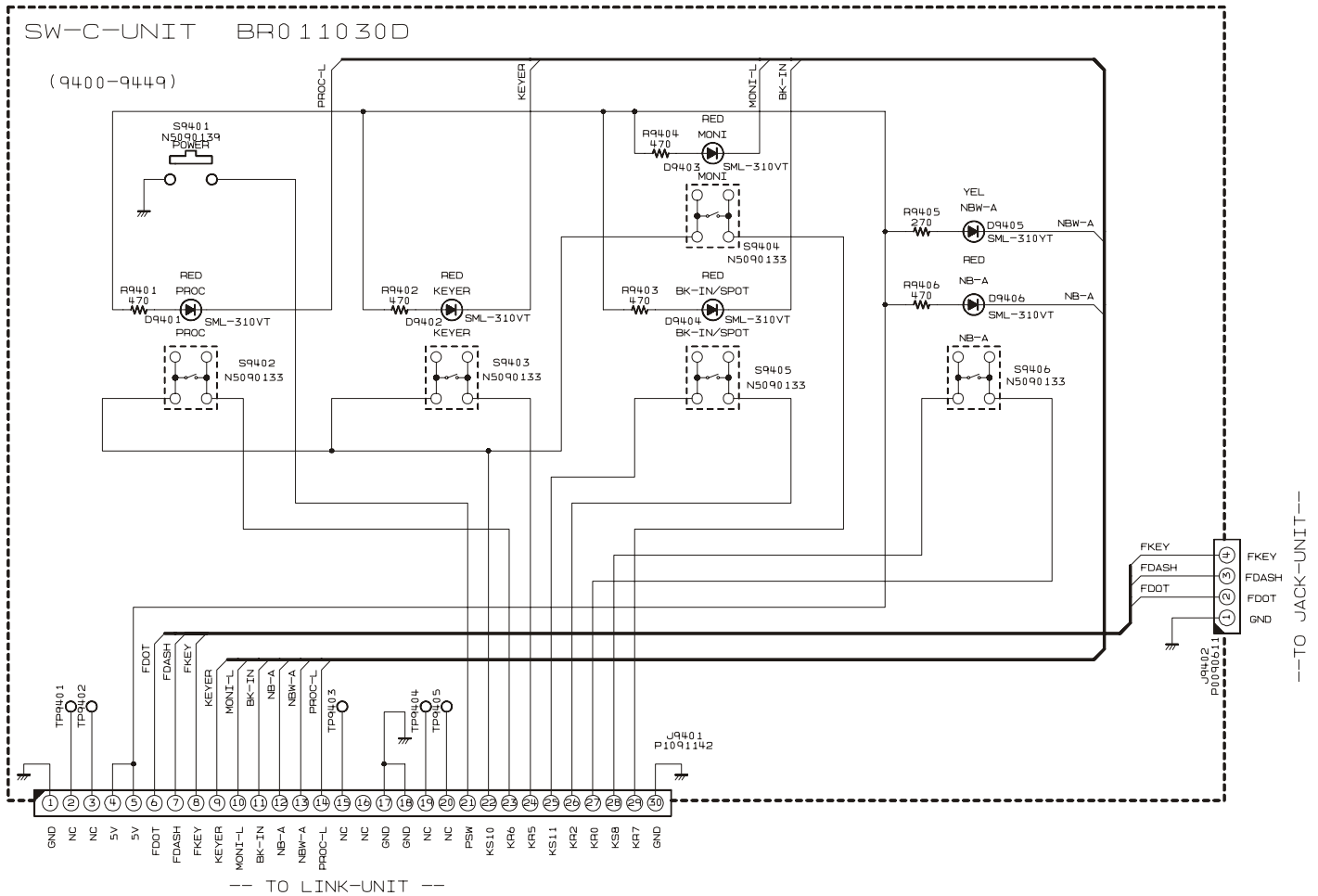
Side B

## Parts List

REF	DESCRIPTION	VALUE	V/W	TOL.	MFR'S DESIG	VXSTD P/N	VERS.	LOT	SIDE	LAY ADR
PCB with Components						CB2603001				
Printed Circuit Board						FR011020C		1-		
D 9351	LED				SML-310VTT86JK	G2071032		1-	A	A1
D 9352	LED				SML-310VTT86JK	G2071032		1-	A	B1
D 9353	LED				SML-310YTT86KL	G2071034		1-	A	B1
D 9354	LED				SML-310VTT86JK	G2071032		1-	A	B1
D 9355	LED				SML-310YTT86KL	G2071034		1-	A	B1
D 9356	LED				SML-310DTT86KL	G2071024		1-	A	A1
D 9357	LED				SML-310DTT86KL	G2071024		1-	A	C1
D 9358	LED				SML-310YTT86KL	G2071034		1-	A	C1
D 9359	LED				SML-310VTT86JK	G2071032		1-	A	C1
D 9360	LED				SML-310YTT86KL	G2071034		1-	A	C1
D 9361	LED				SML-310VTT86JK	G2071032		1-	A	D1
D 9362	LED				SML-310VTT86JK	G2071032		1-	A	C1
D 9363	LED				SML-310YTT86KL	G2071034		1-	A	C1
J 9351	CONNECTOR				30FLT-SM1-TB	P1091142		1-	B	a1
J 9352	CONNECTOR				B8B-PH-SM3-TBT	P0091395		1-	B	d1
R 9351	CHIP RES.	470	1/16W	5%	RMC1/16 471JATP	J24185471		1-	B	d1
R 9352	CHIP RES.	470	1/16W	5%	RMC1/16 471JATP	J24185471		1-	B	c1
R 9353	CHIP RES.	270	1/16W	5%	RMC1/16 271JATP	J24185271		1-	B	c1
R 9354	CHIP RES.	270	1/16W	5%	RMC1/16 271JATP	J24185271		1-	B	c1
R 9355	CHIP RES.	470	1/16W	5%	RMC1/16 471JATP	J24185471		1-	B	c1
R 9356	CHIP RES.	270	1/16W	5%	RMC1/16 271JATP	J24185271		1-	B	c1
R 9357	CHIP RES.	270	1/16W	5%	RMC1/16 271JATP	J24185271		1-	B	b1
R 9358	CHIP RES.	270	1/16W	5%	RMC1/16 271JATP	J24185271		1-	B	b1
R 9359	CHIP RES.	470	1/16W	5%	RMC1/16 471JATP	J24185471		1-	B	c1
R 9360	CHIP RES.	270	1/16W	5%	RMC1/16 271JATP	J24185271		1-	B	c1
R 9361	CHIP RES.	470	1/16W	5%	RMC1/16 471JATP	J24185471		1-	B	a1
R 9362	CHIP RES.	470	1/16W	5%	RMC1/16 471JATP	J24185471		1-	B	b1
R 9363	CHIP RES.	270	1/16W	5%	RMC1/16 271JATP	J24185271		1-	B	b1
S 9351	TACT SWITCH				SKRPABE010	N5090133		1-	A	A1
S 9352	TACT SWITCH				SKRPABE010	N5090133		1-	A	B1
S 9353	TACT SWITCH				SKRPABE010	N5090133		1-	A	A1
S 9354	TACT SWITCH				SKRPABE010	N5090133		1-	A	B1
S 9355	TACT SWITCH				SKRPABE010	N5090133		1-	A	D1
S 9356	TACT SWITCH				SKRPABE010	N5090133		1-	A	C1
S 9357	TACT SWITCH				SKRPABE010	N5090133		1-	A	D1
S 9358	TACT SWITCH				SKRPABE010	N5090133		1-	A	C1

# SW-C Unit

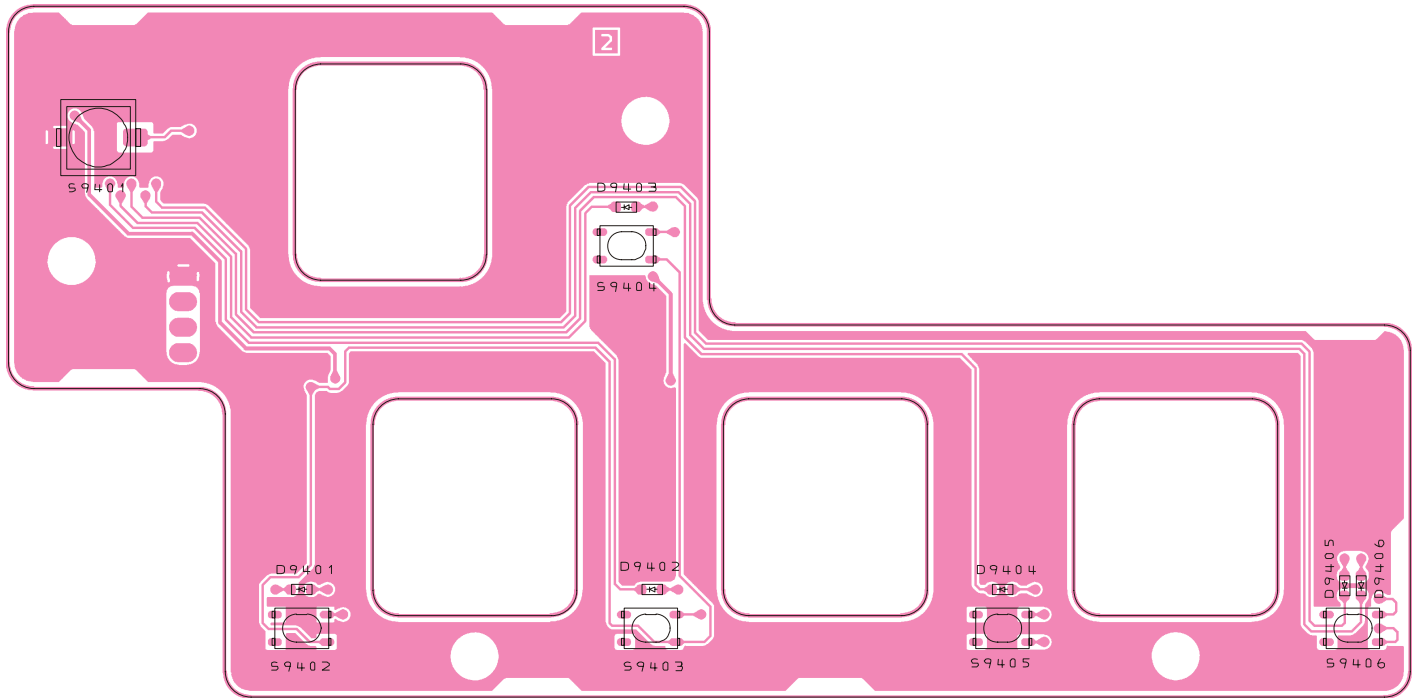
## Circuit Diagram



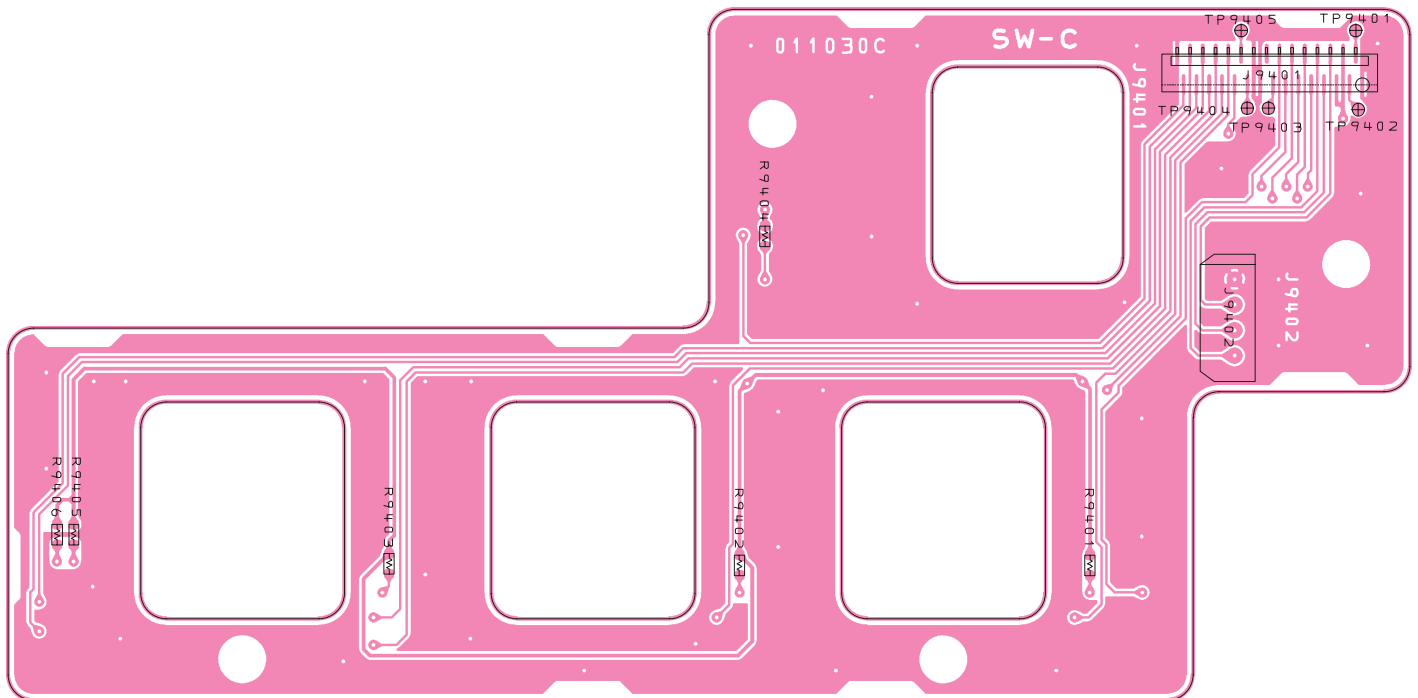


# SW-C Unit

## Parts Layout



Side A



Side B

# SW-C Unit

## Parts List

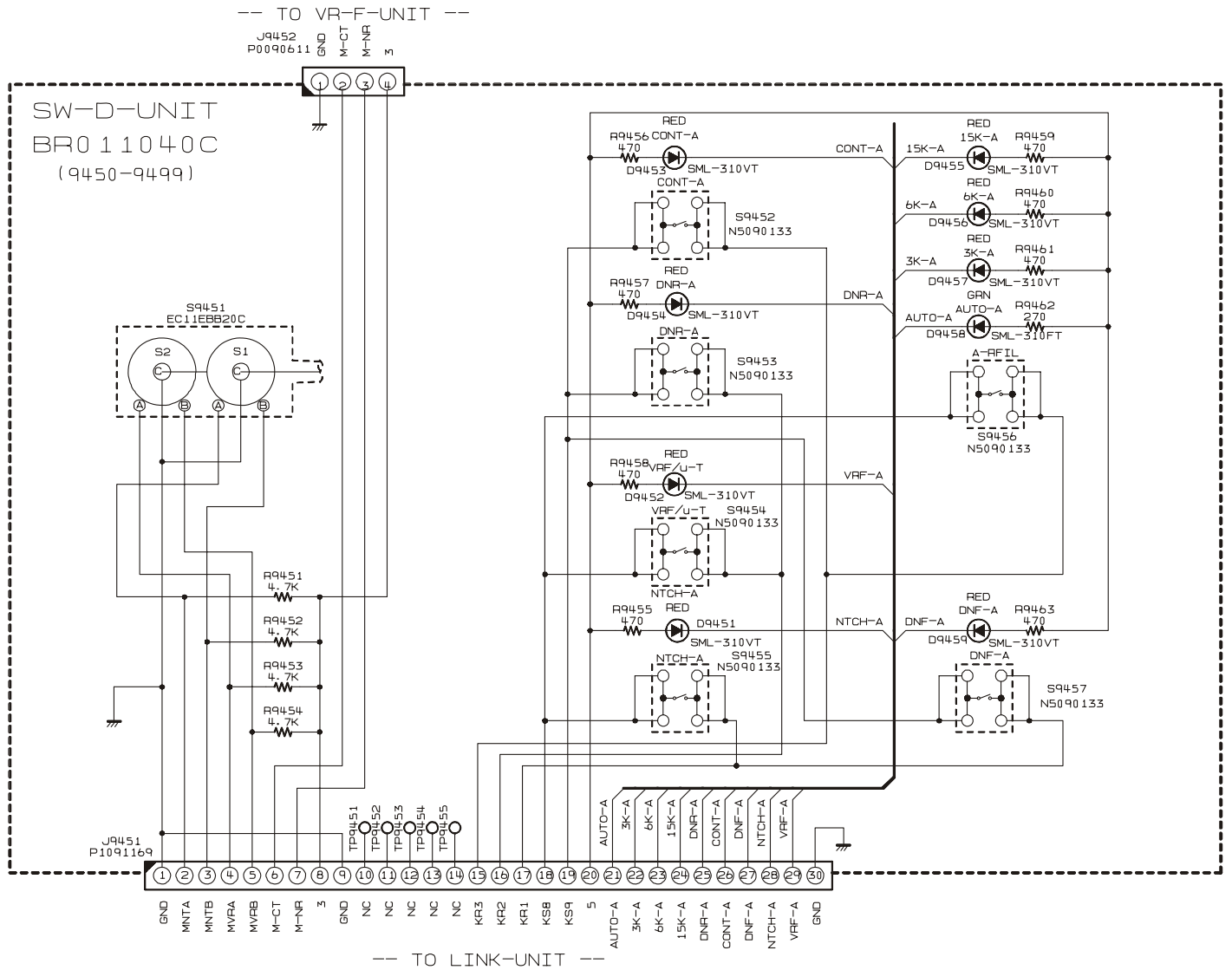
REF	DESCRIPTION	VALUE	V/W	TOL.	MFR'S DESIG	VXSTD P/N	VERS.	LOT	SIDE	LAY ADR
PCB with Components						CB2604001				
Printed Circuit Board						FR011030C		1-		
D 9401	LED				SML-310VTT86JK	G2071032		1-	A	
D 9402	LED				SML-310VTT86JK	G2071032		1-	A	
D 9403	LED				SML-310VTT86JK	G2071032		1-	A	
D 9404	LED				SML-310VTT86JK	G2071032		1-	A	
D 9405	LED				SML-310YTT86KL	G2071034		1-	A	
D 9406	LED				SML-310VTT86JK	G2071032		1-	A	
J 9401	CONNECTOR				30FLT-SM1-TB	P1091142		1-	B	
J 9402	CONNECTOR				SB20-04WS	P0090611		1-	B	
R 9401	CHIPRES.	470	1/16W	5%	RMC1/16 471JATP	J24185471		1-	B	
R 9402	CHIPRES.	470	1/16W	5%	RMC1/16 471JATP	J24185471		1-	B	
R 9403	CHIPRES.	470	1/16W	5%	RMC1/16 471JATP	J24185471		1-	B	
R 9404	CHIPRES.	470	1/16W	5%	RMC1/16 471JATP	J24185471		1-	B	
R 9405	CHIPRES.	270	1/16W	5%	RMC1/16 271JATP	J24185271		1-	B	
R 9406	CHIPRES.	470	1/16W	5%	RMC1/16 471JATP	J24185471		1-	B	
S 9401	TACT SWITCH				SKPMAPE010	N5090139		1-	A	
S 9402	TACT SWITCH				SKRPABE010	N5090133		1-	A	
S 9403	TACT SWITCH				SKRPABE010	N5090133		1-	A	
S 9404	TACT SWITCH				SKRPABE010	N5090133		1-	A	
S 9405	TACT SWITCH				SKRPABE010	N5090133		1-	A	
S 9406	TACT SWITCH				SKRPABE010	N5090133		1-	A	

# *SW-C Unit*

*Note*

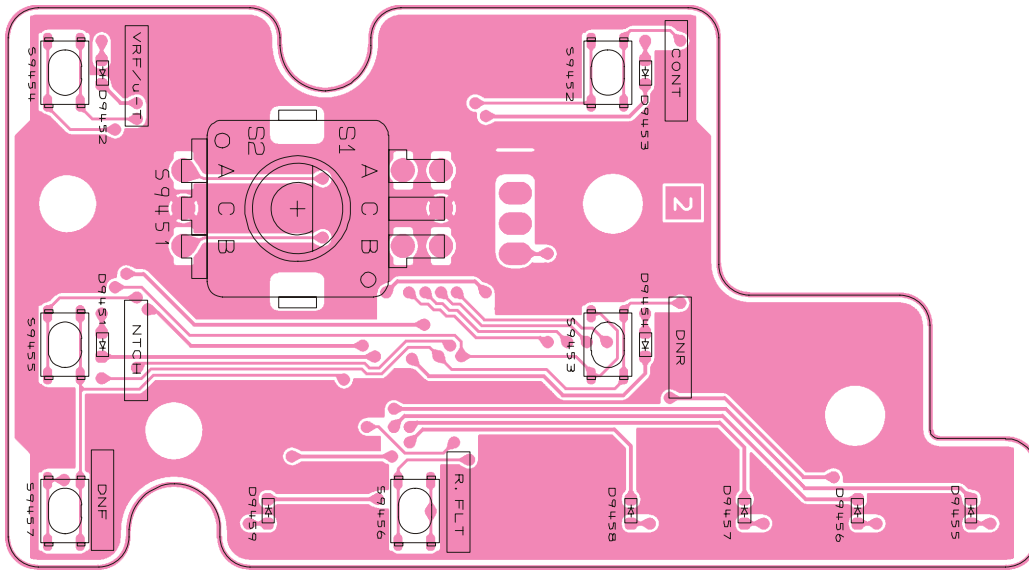
# SW-D Unit (D Type, TFT-9000)

## Circuit Diagram

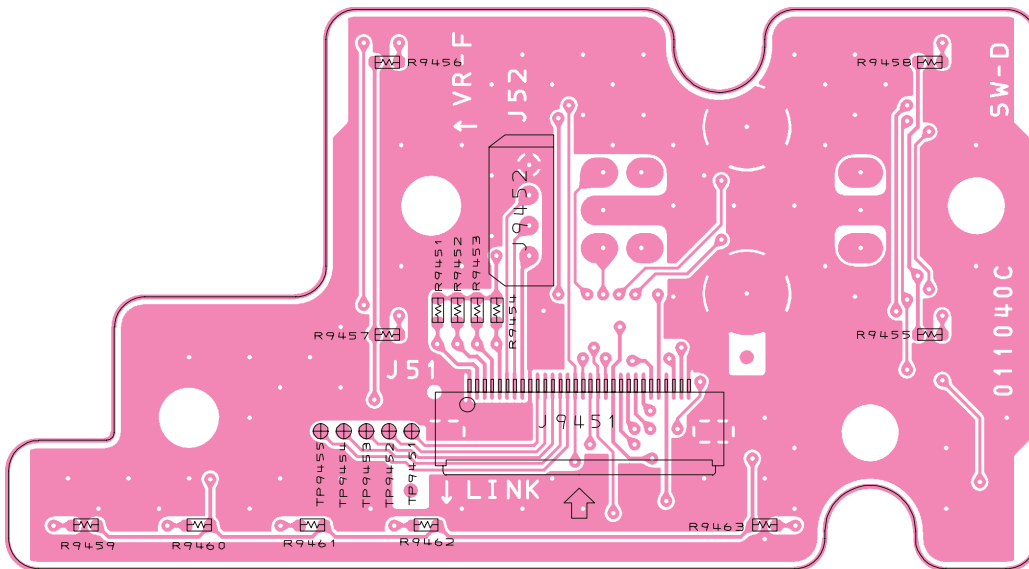


# SW-D Unit (D Type, TFT-9000)

## Parts Layout



Side A



Side B

# SW-D Unit (D Type, TFT-9000)

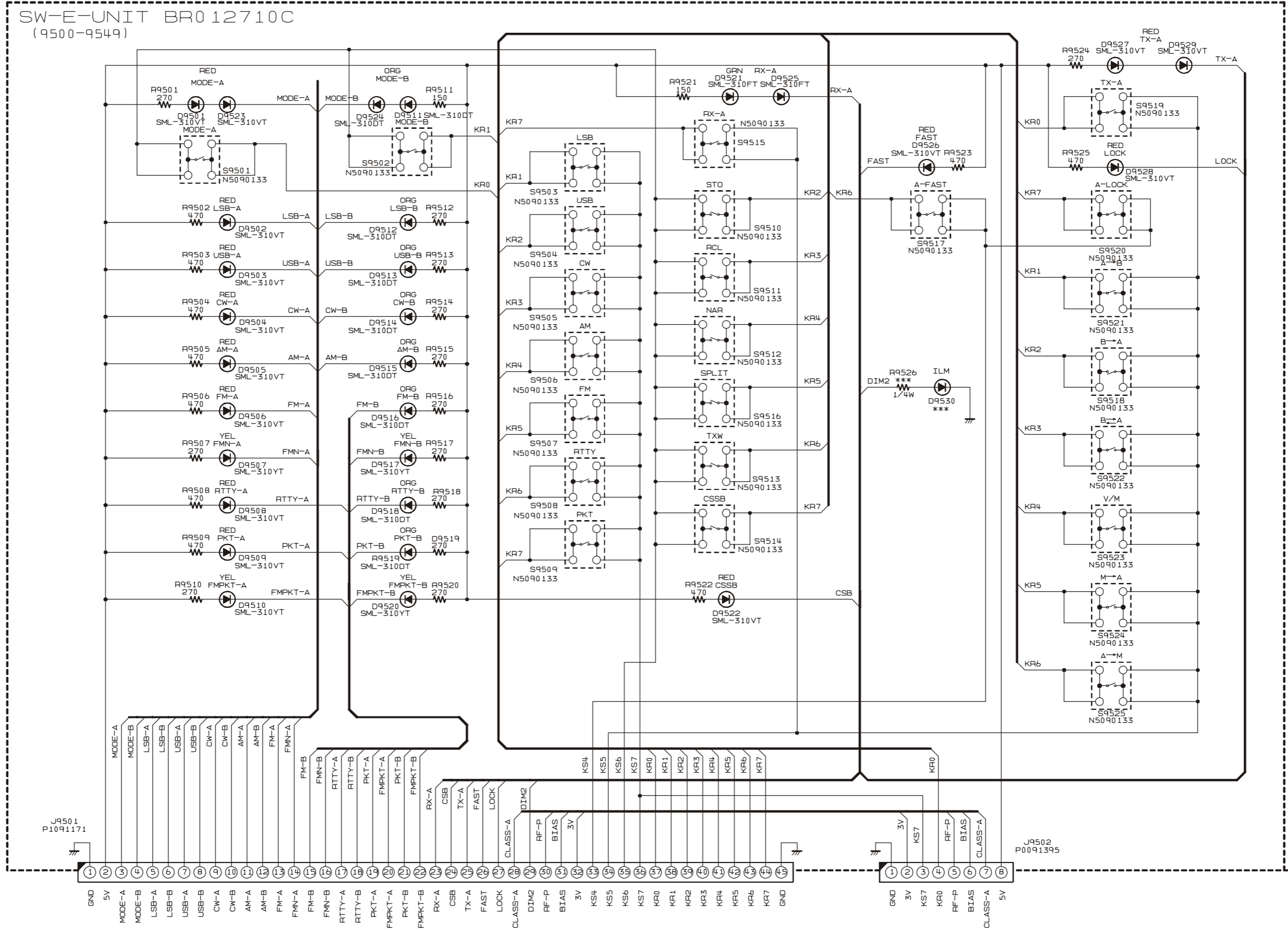
## Parts List

REF	DESCRIPTION	VALUE	V/W	TOL.	MFR'S DESIG	VXSTD P/N	VERS.	LOT	SIDE	LAY ADR
PCB with Components						CB2605001				
Printed Circuit Board						FR011040C		1-		
D 9451	LED				SML-310VTT86JK	G2071032		1-	A	A1
D 9452	LED				SML-310VTT86JK	G2071032		1-	A	A1
D 9453	LED				SML-310VTT86JK	G2071032		1-	A	B1
D 9454	LED				SML-310VTT86JK	G2071032		1-	A	B1
D 9455	LED				SML-310VTT86JK	G2071032		1-	A	C2
D 9456	LED				SML-310VTT86JK	G2071032		1-	A	B2
D 9457	LED				SML-310VTT86JK	G2071032		1-	A	B2
D 9458	LED				SML-310FTT86KL	G2071026		1-	A	B2
D 9459	LED				SML-310VTT86JK	G2071032		1-	A	A2
J 9451	CONNECTOR				9637S-30-Y905	P1091169		1-	B	b1
J 9452	CONNECTOR				SB20-04WS	P0090611		1-	B	b1
R 9451	CHIP RES.	4.7k	1/16W	5%	RMC1/16 472JATP	J24185472		1-	B	a1
R 9452	CHIP RES.	4.7k	1/16W	5%	RMC1/16 472JATP	J24185472		1-	B	a1
R 9453	CHIP RES.	4.7k	1/16W	5%	RMC1/16 472JATP	J24185472		1-	B	b1
R 9454	CHIP RES.	4.7k	1/16W	5%	RMC1/16 472JATP	J24185472		1-	B	b1
R 9455	CHIP RES.	470	1/16W	5%	RMC1/16 471JATP	J24185471		1-	B	c1
R 9456	CHIP RES.	470	1/16W	5%	RMC1/16 471JATP	J24185471		1-	B	a1
R 9457	CHIP RES.	470	1/16W	5%	RMC1/16 471JATP	J24185471		1-	B	a1
R 9458	CHIP RES.	470	1/16W	5%	RMC1/16 471JATP	J24185471		1-	B	c1
R 9459	CHIP RES.	470	1/16W	5%	RMC1/16 471JATP	J24185471		1-	B	a2
R 9460	CHIP RES.	470	1/16W	5%	RMC1/16 471JATP	J24185471		1-	B	a2
R 9461	CHIP RES.	470	1/16W	5%	RMC1/16 471JATP	J24185471		1-	B	a2
R 9462	CHIP RES.	270	1/16W	5%	RMC1/16 271JATP	J24185271		1-	B	a2
R 9463	CHIP RES.	470	1/16W	5%	RMC1/16 471JATP	J24185471		1-	B	b2
S 9451	ROTARY ENCODER				EC11EBB20C	Q9000823		1-	A	A1
S 9452	TACT SWITCH				SKRPABE010	N5090133		1-	A	B1
S 9453	TACT SWITCH				SKRPABE010	N5090133		1-	A	B1
S 9454	TACT SWITCH				SKRPABE010	N5090133		1-	A	A1
S 9455	TACT SWITCH				SKRPABE010	N5090133		1-	A	A1
S 9456	TACT SWITCH				SKRPABE010	N5090133		1-	A	A2
S 9457	TACT SWITCH				SKRPABE010	N5090133		1-	A	A2

# *SW-D Unit (D Type, TFT-9000)*

*Note*

SW-E Unit  
Circuit Diagram



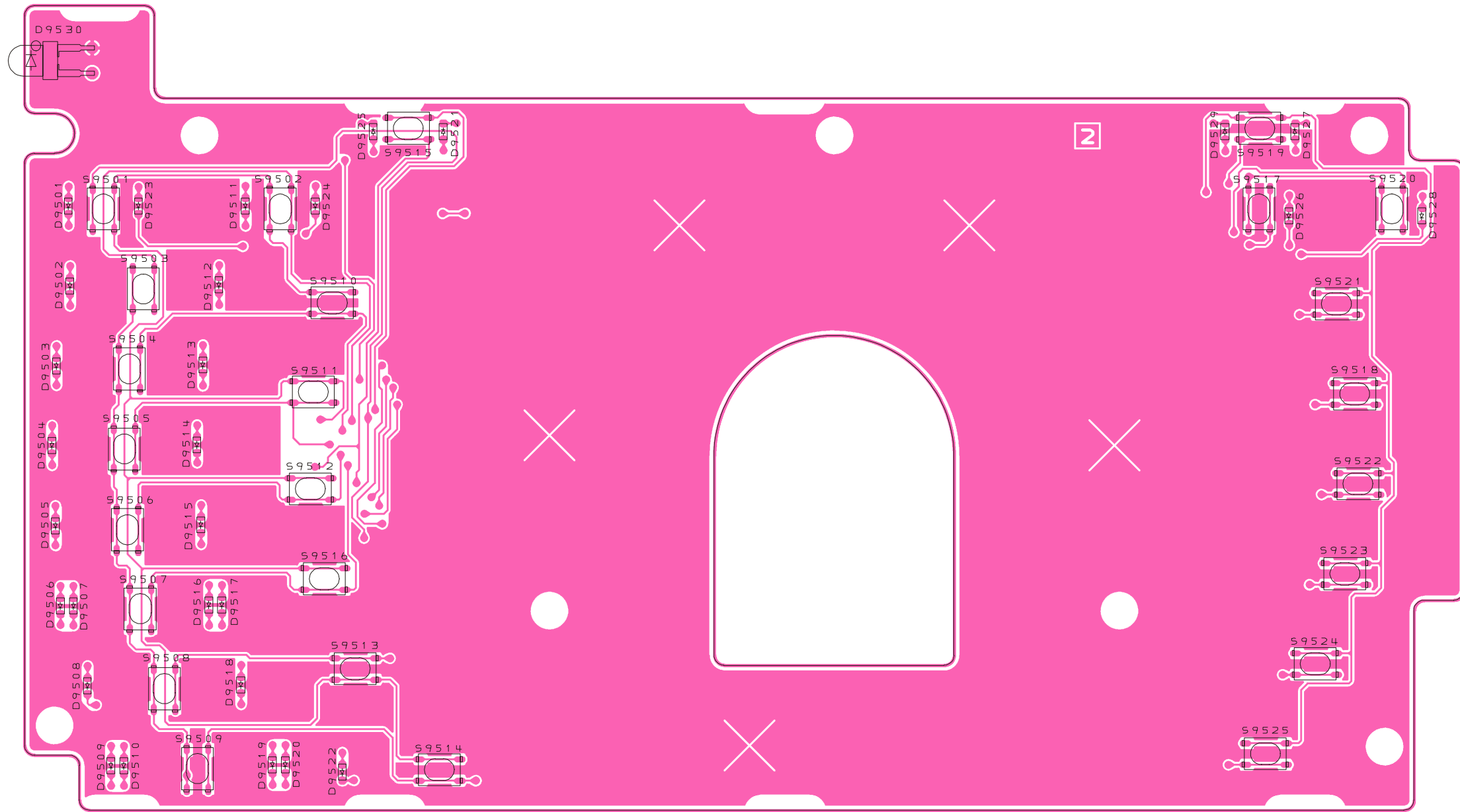
-- TO LINK-UNIT --

-- TO VR-D-UNIT --

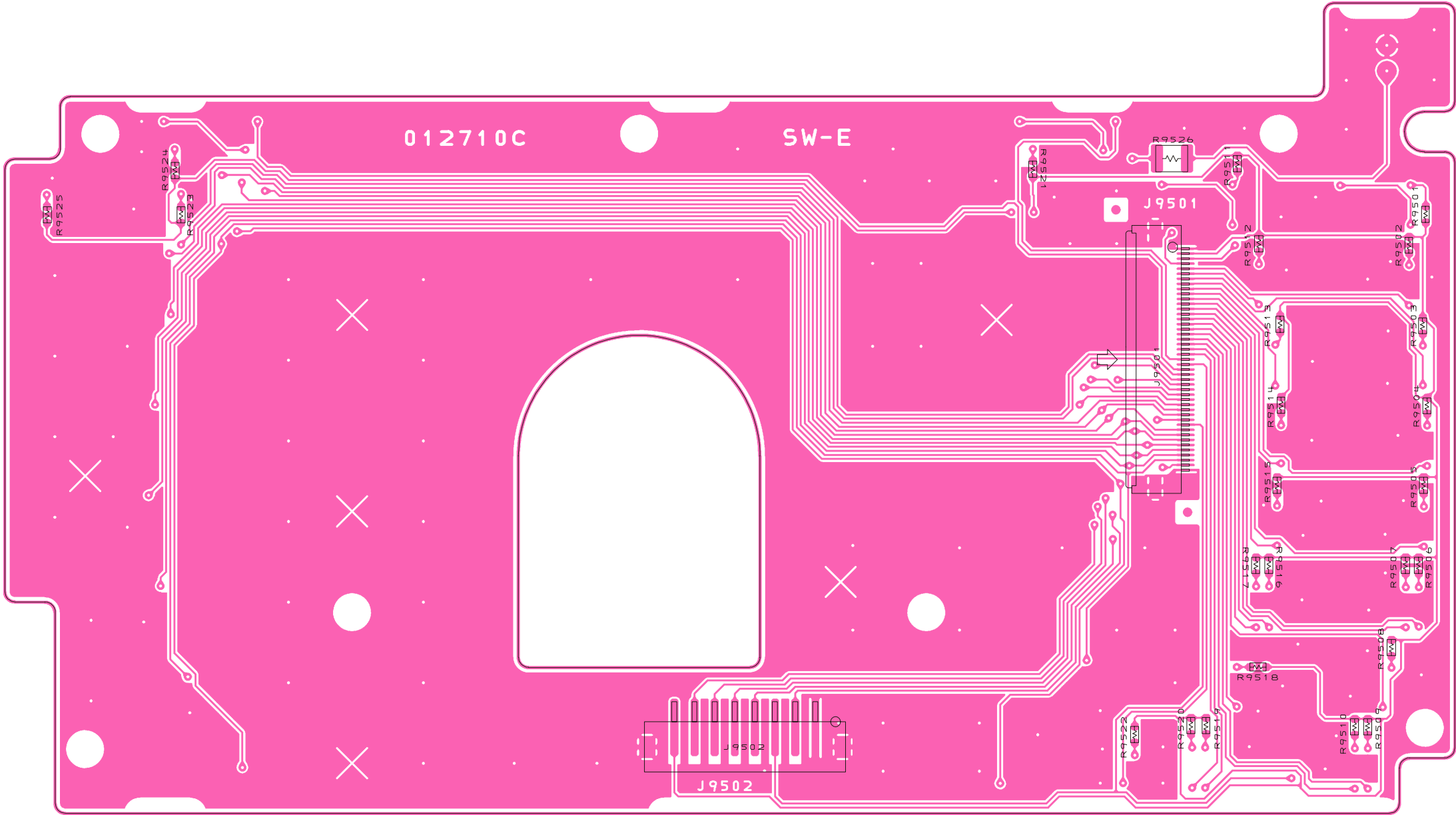


***SW-E Unit***

***Note***



Side A



Side B

# SW-E Unit

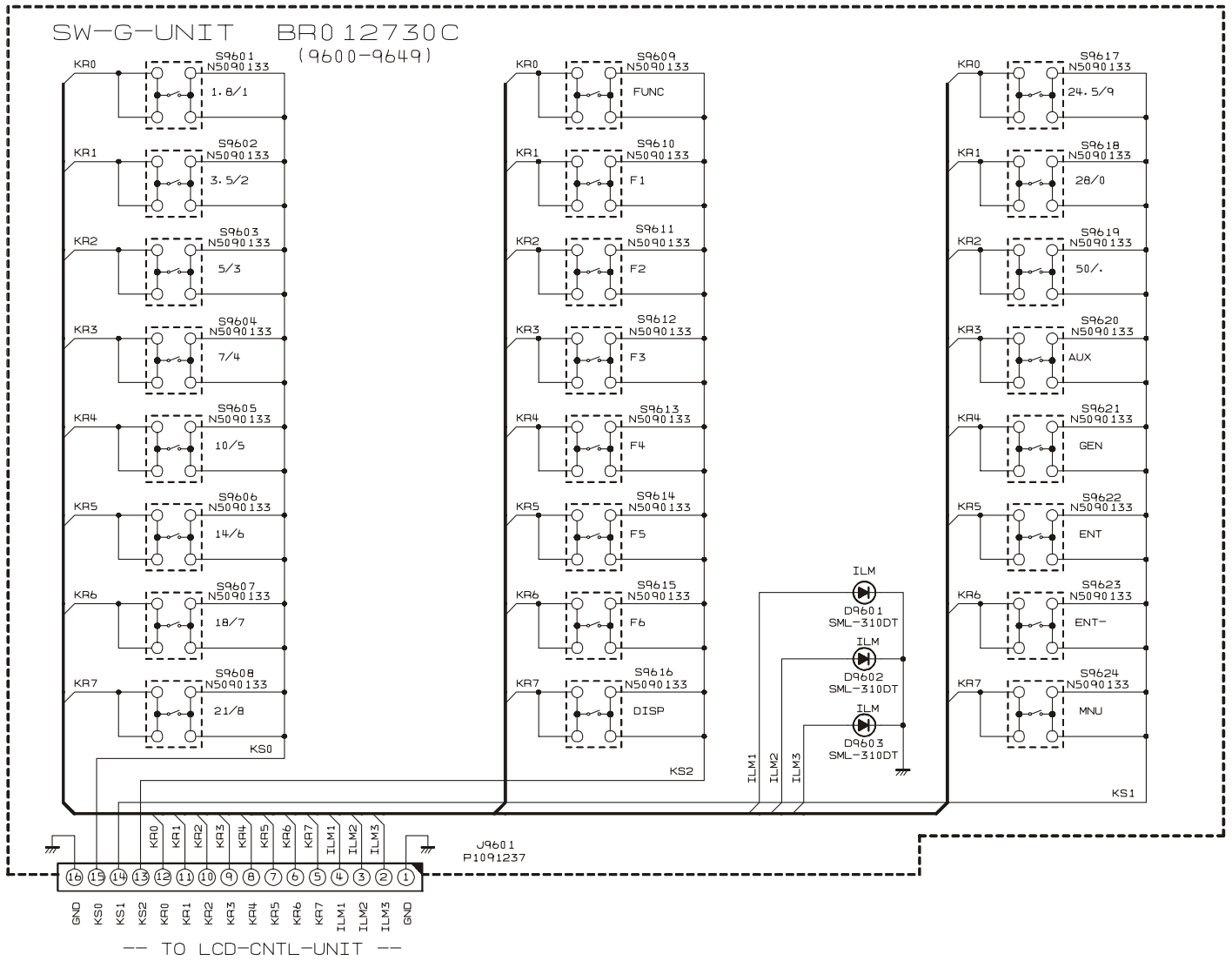
## Parts List

REF	DESCRIPTION	VALUE	V/W	TOL.	MFR'S DESIG	VXSTD P/N	VERS.	LOT	SIDE	LAY ADR
PCB with Components						CB3049001				
	Printed Circuit Board					FR012710C		1-		
D 9501	LED				SML-310VTT86JK	G2071032		1-	A	A1
D 9502	LED				SML-310VTT86JK	G2071032		1-	A	A1
D 9503	LED				SML-310VTT86JK	G2071032		1-	A	A2
D 9504	LED				SML-310VTT86JK	G2071032		1-	A	A2
D 9505	LED				SML-310VTT86JK	G2071032		1-	A	A2
D 9506	LED				SML-310VTT86JK	G2071032		1-	A	A3
D 9507	LED				SML-310YTT86KL	G2071034		1-	A	A3
D 9508	LED				SML-310VTT86JK	G2071032		1-	A	A3
D 9509	LED				SML-310VTT86JK	G2071032		1-	A	A3
D 9510	LED				SML-310YTT86KL	G2071034		1-	A	A3
D 9511	LED				SML-310DTT86KL	G2071024		1-	A	A1
D 9512	LED				SML-310DTT86KL	G2071024		1-	A	A1
D 9513	LED				SML-310DTT86KL	G2071024		1-	A	A2
D 9514	LED				SML-310DTT86KL	G2071024		1-	A	A2
D 9515	LED				SML-310DTT86KL	G2071024		1-	A	A2
D 9516	LED				SML-310DTT86KL	G2071024		1-	A	A2
D 9517	LED				SML-310YTT86KL	G2071034		1-	A	A2
D 9518	LED				SML-310DTT86KL	G2071024		1-	A	A3
D 9519	LED				SML-310DTT86KL	G2071024		1-	A	A3
D 9520	LED				SML-310YTT86KL	G2071034		1-	A	A3
D 9521	LED				SML-310FTT86KL	G2071026		1-	A	B1
D 9522	LED				SML-310VTT86JK	G2071032		1-	A	B3
D 9523	LED				SML-310VTT86JK	G2071032		1-	A	A1
D 9524	LED				SML-310DTT86KL	G2071024		1-	A	A1
D 9525	LED				SML-310FTT86KL	G2071026		1-	A	B1
D 9526	LED				SML-310VTT86JK	G2071032		1-	A	E1
D 9527	LED				SML-310VTT86JK	G2071032		1-	A	E1
D 9528	LED				SML-310VTT86JK	G2071032		1-	A	E1
D 9529	LED				SML-310VTT86JK	G2071032		1-	A	E1
J 9501	CONNECTOR				9637S-45-Y905	P1091171		1-	B	d2
J 9502	CONNECTOR				B8B-PH-SM3-TBT	P0091395		1-	B	c3
R 9501	CHIPRES.	270	1/16W	5%	RMC1/16 271JATP	J24185271		1-	B	e1
R 9502	CHIPRES.	470	1/16W	5%	RMC1/16 471JATP	J24185471		1-	B	e1
R 9503	CHIPRES.	470	1/16W	5%	RMC1/16 471JATP	J24185471		1-	B	e2
R 9504	CHIPRES.	470	1/16W	5%	RMC1/16 471JATP	J24185471		1-	B	e2
R 9505	CHIPRES.	470	1/16W	5%	RMC1/16 471JATP	J24185471		1-	B	e2
R 9506	CHIPRES.	470	1/16W	5%	RMC1/16 471JATP	J24185471		1-	B	e2
R 9507	CHIPRES.	270	1/16W	5%	RMC1/16 271JATP	J24185271		1-	B	e2
R 9508	CHIPRES.	470	1/16W	5%	RMC1/16 471JATP	J24185471		1-	B	e3
R 9509	CHIPRES.	470	1/16W	5%	RMC1/16 471JATP	J24185471		1-	B	e3
R 9510	CHIPRES.	270	1/16W	5%	RMC1/16 271JATP	J24185271		1-	B	e3
R 9511	CHIPRES.	150	1/16W	5%	RMC1/16 151JATP	J24185151		1-	B	e1
R 9512	CHIPRES.	270	1/16W	5%	RMC1/16 271JATP	J24185271		1-	B	e1
R 9513	CHIPRES.	270	1/16W	5%	RMC1/16 271JATP	J24185271		1-	B	e2
R 9514	CHIPRES.	270	1/16W	5%	RMC1/16 271JATP	J24185271		1-	B	e2
R 9515	CHIPRES.	270	1/16W	5%	RMC1/16 271JATP	J24185271		1-	B	e2
R 9516	CHIPRES.	270	1/16W	5%	RMC1/16 271JATP	J24185271		1-	B	e2
R 9517	CHIPRES.	270	1/16W	5%	RMC1/16 271JATP	J24185271		1-	B	e2
R 9518	CHIPRES.	270	1/16W	5%	RMC1/16 271JATP	J24185271		1-	B	e3
R 9519	CHIPRES.	270	1/16W	5%	RMC1/16 271JATP	J24185271		1-	B	d3
R 9520	CHIPRES.	270	1/16W	5%	RMC1/16 271JATP	J24185271		1-	B	d3
R 9521	CHIPRES.	39	1/16W	5%	RMC1/16 390JATP	J24185390		1-	B	d1
R 9522	CHIPRES.	470	1/16W	5%	RMC1/16 471JATP	J24185471		1-	B	d3
R 9523	CHIPRES.	470	1/16W	5%	RMC1/16 471JATP	J24185471		1-	B	a1
R 9524	CHIPRES.	270	1/16W	5%	RMC1/16 271JATP	J24185271		1-	B	a1
R 9525	CHIPRES.	470	1/16W	5%	RMC1/16 471JATP	J24185471		1-	B	a1
S 9501	TACT SWITCH				SKRPABE010	N5090133		1-	A	A1
S 9502	TACT SWITCH				SKRPABE010	N5090133		1-	A	A1
S 9503	TACT SWITCH				SKRPABE010	N5090133		1-	A	A1
S 9504	TACT SWITCH				SKRPABE010	N5090133		1-	A	A2
S 9505	TACT SWITCH				SKRPABE010	N5090133		1-	A	A2
S 9506	TACT SWITCH				SKRPABE010	N5090133		1-	A	A2
S 9507	TACT SWITCH				SKRPABE010	N5090133		1-	A	A3
S 9508	TACT SWITCH				SKRPABE010	N5090133		1-	A	A3
S 9509	TACT SWITCH				SKRPABE010	N5090133		1-	A	A3
S 9510	TACT SWITCH				SKRPABE010	N5090133		1-	A	B1
S 9511	TACT SWITCH				SKRPABE010	N5090133		1-	A	A2
S 9512	TACT SWITCH				SKRPABE010	N5090133		1-	A	A2
S 9513	TACT SWITCH				SKRPABE010	N5090133		1-	A	B3
S 9514	TACT SWITCH				SKRPABE010	N5090133		1-	A	B3
S 9515	TACT SWITCH				SKRPABE010	N5090133		1-	A	B1



# SW-G Unit (D Type, TFT-9000)

## Circuit Diagram

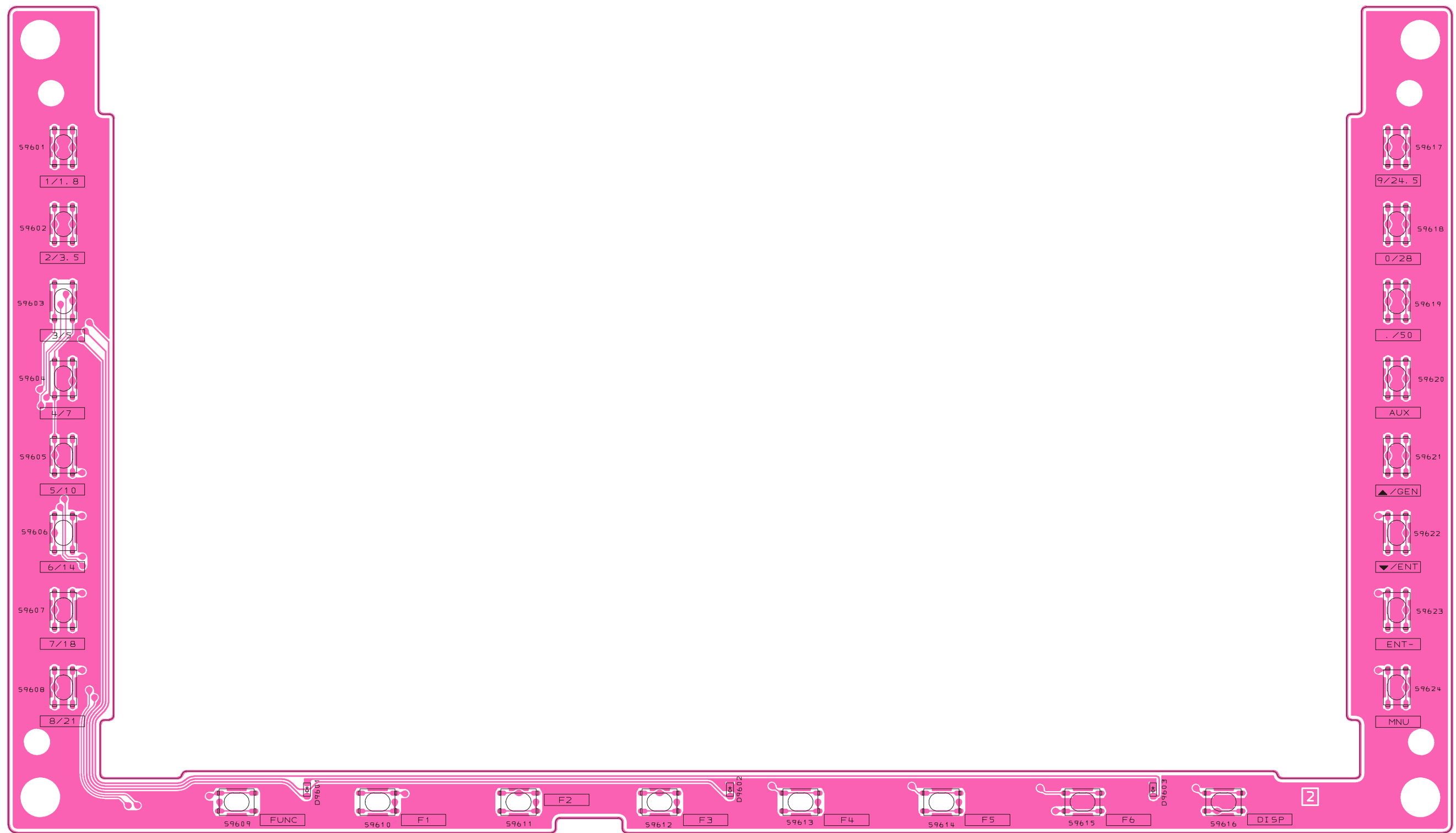


# *SW-G Unit (D Type, TFT-9000)*

*Note*

# SW-G Unit (D Type, TFT-9000)

## Parts Layout



Side A



SW-G Unit (D Type, TFT-9000)



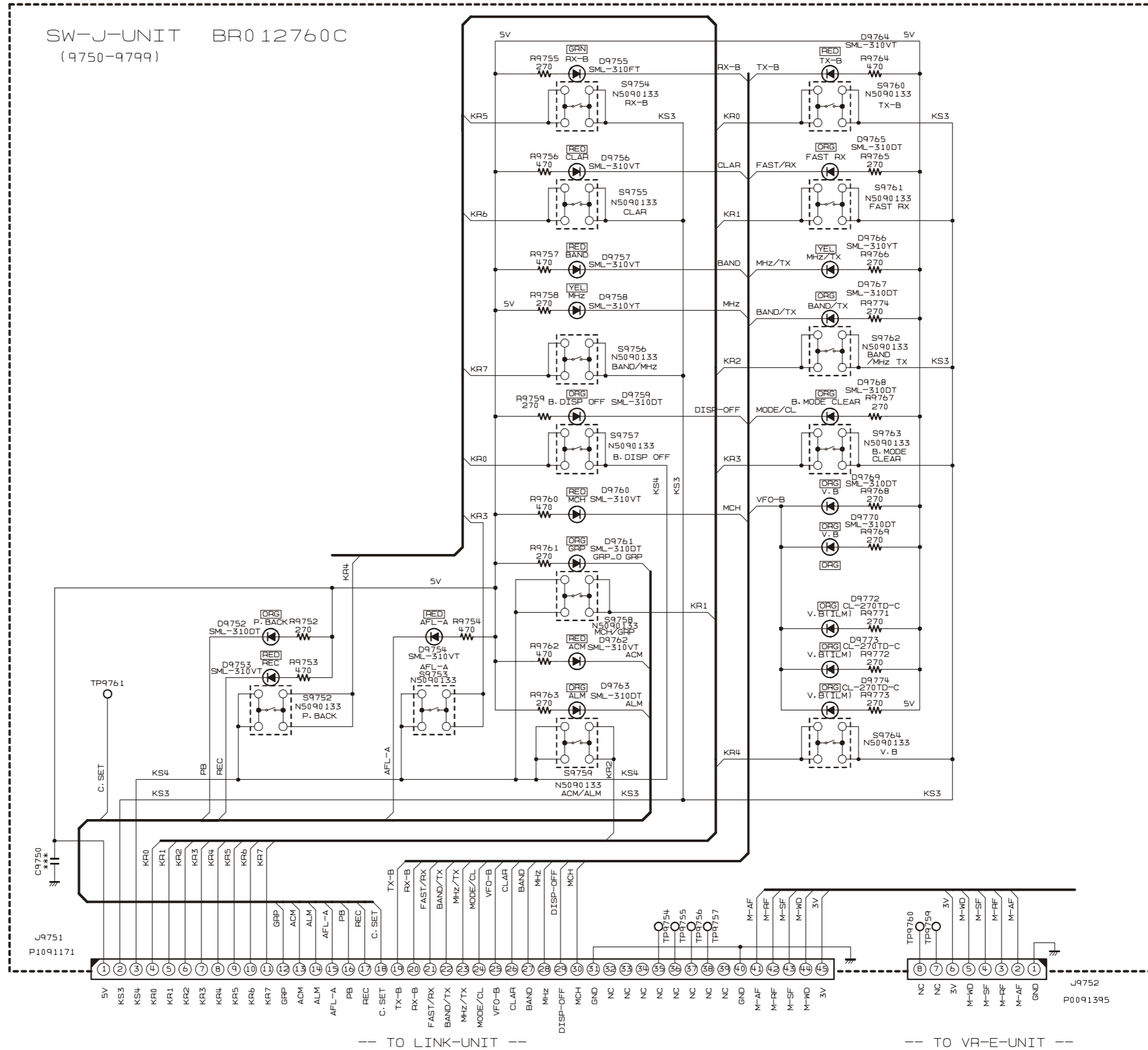
Side B

# SW-G Unit (D Type, TFT-9000)

## Parts List

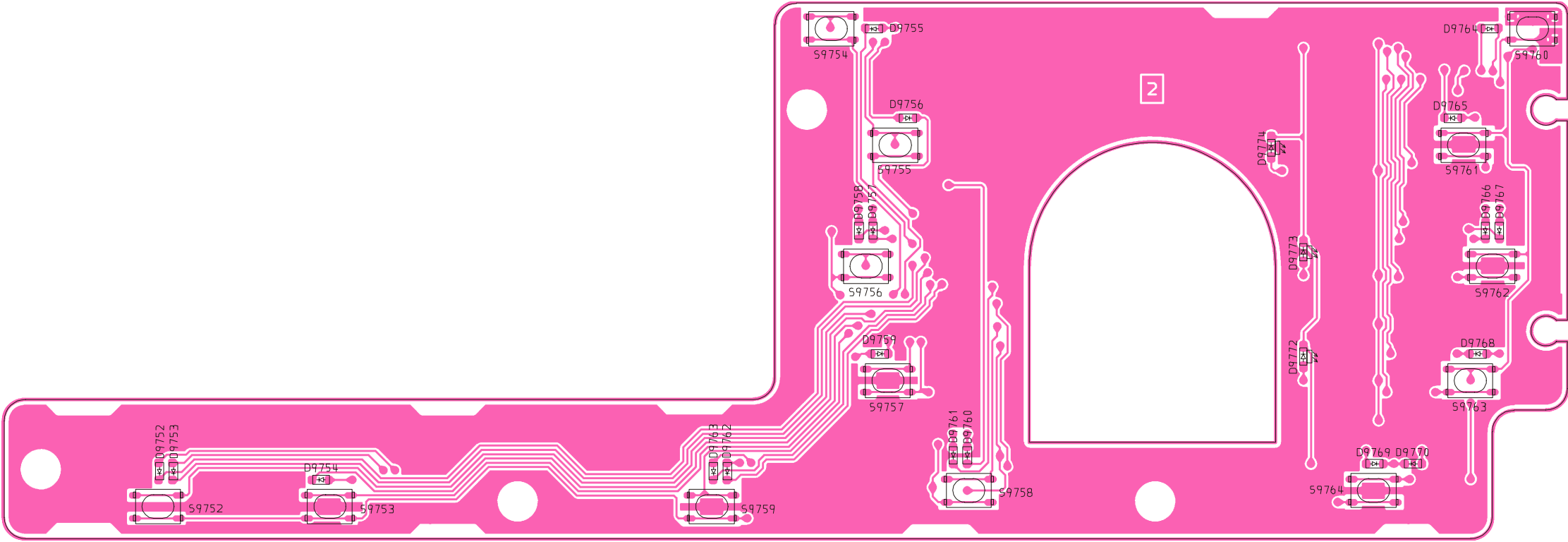
REF	DESCRIPTION	VALUE	V/W	TOL.	MFR'S DESIG	VXSTD P/N	VERS.	LOT	SIDE	LAY ADR
PCB with Components						CB3051001				
Printed Circuit Board						FR012730C				1-
D 9601	LED				SML-310DTT86KL	G2071024			1-	A
D 9602	LED				SML-310DTT86KL	G2071024			1-	A
D 9603	LED				SML-310DTT86KL	G2071024			1-	A
J 9601	CONNECTOR				16FMN-BMTTN-A-TFT	P1091237			1-	B
S 9601	TACT SWITCH				SKRPABE010	N5090133			1-	A
S 9602	TACT SWITCH				SKRPABE010	N5090133			1-	A
S 9603	TACT SWITCH				SKRPABE010	N5090133			1-	A
S 9604	TACT SWITCH				SKRPABE010	N5090133			1-	A
S 9605	TACT SWITCH				SKRPABE010	N5090133			1-	A
S 9606	TACT SWITCH				SKRPABE010	N5090133			1-	A
S 9607	TACT SWITCH				SKRPABE010	N5090133			1-	A
S 9608	TACT SWITCH				SKRPABE010	N5090133			1-	A
S 9609	TACT SWITCH				SKRPABE010	N5090133			1-	A
S 9610	TACT SWITCH				SKRPABE010	N5090133			1-	A
S 9611	TACT SWITCH				SKRPABE010	N5090133			1-	A
S 9612	TACT SWITCH				SKRPABE010	N5090133			1-	A
S 9613	TACT SWITCH				SKRPABE010	N5090133			1-	A
S 9614	TACT SWITCH				SKRPABE010	N5090133			1-	A
S 9615	TACT SWITCH				SKRPABE010	N5090133			1-	A
S 9616	TACT SWITCH				SKRPABE010	N5090133			1-	A
S 9617	TACT SWITCH				SKRPABE010	N5090133			1-	A
S 9618	TACT SWITCH				SKRPABE010	N5090133			1-	A
S 9619	TACT SWITCH				SKRPABE010	N5090133			1-	A
S 9620	TACT SWITCH				SKRPABE010	N5090133			1-	A
S 9621	TACT SWITCH				SKRPABE010	N5090133			1-	A
S 9622	TACT SWITCH				SKRPABE010	N5090133			1-	A
S 9623	TACT SWITCH				SKRPABE010	N5090133			1-	A
S 9624	TACT SWITCH				SKRPABE010	N5090133			1-	A

*SW-G Unit (D Type, TFT-9000)*

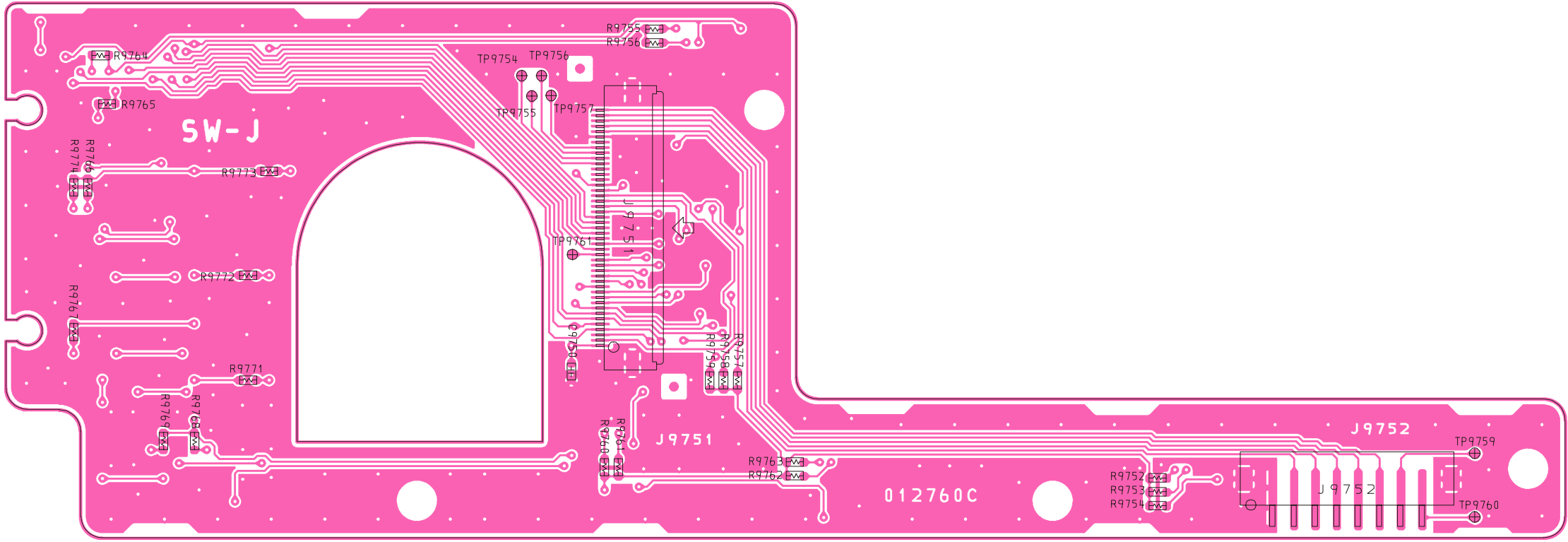


## *SW-J Unit*

*Note*



Side A



Side B

# SW-J Unit

## Parts List

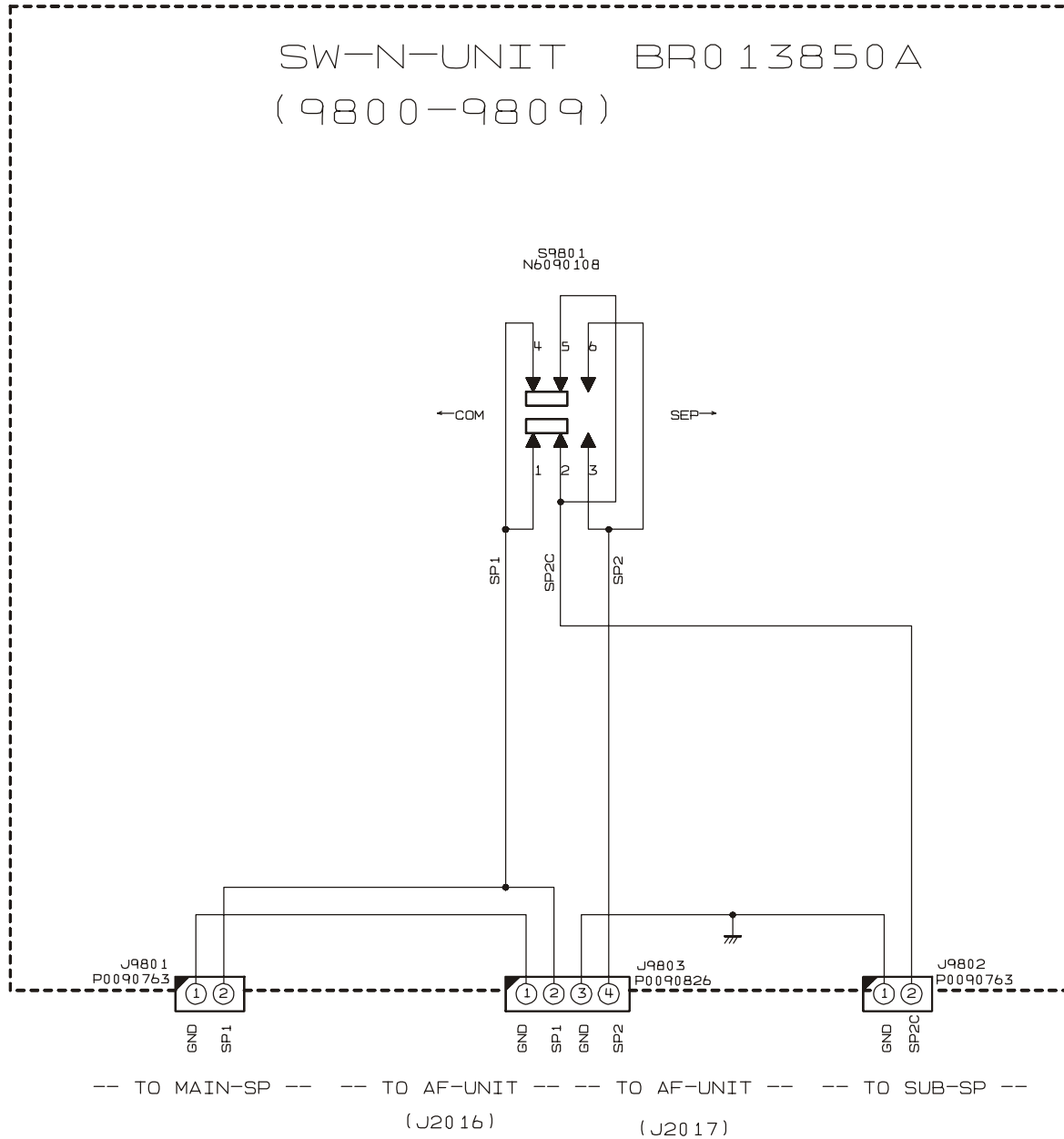
REF	DESCRIPTION	VALUE	V/W	TOL.	MFR'S DESIG	VXSTD P/N	VERS.	LOT	SIDE	LAY ADR
PCB with Components						CB3054001				
Printed Circuit Board						FR012760C		1-		
D 9752	LED				SML-310DTT86KL	G2071024		1-	A	
D 9753	LED				SML-310VTT86JK	G2071032		1-	A	
D 9754	LED				SML-310VTT86JK	G2071032		1-	A	
D 9755	LED				SML-310FTT86KL	G2071026		1-	A	
D 9756	LED				SML-310VTT86JK	G2071032		1-	A	
D 9757	LED				SML-310VTT86JK	G2071032		1-	A	
D 9758	LED				SML-310YTT86KL	G2071034		1-	A	
D 9759	LED				SML-310DTT86KL	G2071024		1-	A	
D 9760	LED				SML-310VTT86JK	G2071032		1-	A	
D 9761	LED				SML-310DTT86KL	G2071024		1-	A	
D 9762	LED				SML-310VTT86JK	G2071032		1-	A	
D 9763	LED				SML-310DTT86KL	G2071024		1-	A	
D 9764	LED				SML-310VTT86JK	G2071032		1-	A	
D 9765	LED				SML-310DTT86KL	G2071024		1-	A	
D 9766	LED				SML-310YTT86KL	G2071034		1-	A	
D 9767	LED				SML-310DTT86KL	G2071024		1-	A	
D 9768	LED				SML-310DTT86KL	G2071024		1-	A	
D 9769	LED				SML-310DTT86KL	G2071024		1-	A	
D 9770	LED				SML-310DTT86KL	G2071024		1-	A	
D 9772	LED				CL-270TD-C-TS	G2070930		1-	A	
D 9773	LED				CL-270TD-C-TS	G2070930		1-	A	
D 9774	LED				CL-270TD-C-TS	G2070930		1-	A	
J 9751	CONNECTOR				9637S-45-Y905	P1091171		1-	B	
J 9752	CONNECTOR				B8B-PH-SM3-TBT	P0091395		1-	B	
R 9752	CHIP RES.	270	1/16W	5%	RMC1/16 271JATP	J24185271		1-	B	
R 9753	CHIP RES.	470	1/16W	5%	RMC1/16 471JATP	J24185471		1-	B	
R 9754	CHIP RES.	470	1/16W	5%	RMC1/16 471JATP	J24185471		1-	B	
R 9755	CHIP RES.	270	1/16W	5%	RMC1/16 271JATP	J24185271		1-	B	
R 9756	CHIP RES.	470	1/16W	5%	RMC1/16 471JATP	J24185471		1-	B	
R 9757	CHIP RES.	470	1/16W	5%	RMC1/16 471JATP	J24185471		1-	B	
R 9758	CHIP RES.	270	1/16W	5%	RMC1/16 271JATP	J24185271		1-	B	
R 9759	CHIP RES.	270	1/16W	5%	RMC1/16 271JATP	J24185271		1-	B	
R 9760	CHIP RES.	470	1/16W	5%	RMC1/16 471JATP	J24185471		1-	B	
R 9761	CHIP RES.	270	1/16W	5%	RMC1/16 271JATP	J24185271		1-	B	
R 9762	CHIP RES.	470	1/16W	5%	RMC1/16 471JATP	J24185471		1-	B	
R 9763	CHIP RES.	270	1/16W	5%	RMC1/16 271JATP	J24185271		1-	B	
R 9764	CHIP RES.	470	1/16W	5%	RMC1/16 471JATP	J24185471		1-	B	
R 9765	CHIP RES.	270	1/16W	5%	RMC1/16 271JATP	J24185271		1-	B	
R 9766	CHIP RES.	270	1/16W	5%	RMC1/16 271JATP	J24185271		1-	B	
R 9767	CHIP RES.	270	1/16W	5%	RMC1/16 271JATP	J24185271		1-	B	
R 9768	CHIP RES.	270	1/16W	5%	RMC1/16 271JATP	J24185271		1-	B	
R 9769	CHIP RES.	270	1/16W	5%	RMC1/16 271JATP	J24185271		1-	B	
R 9771	CHIP RES.	270	1/16W	5%	RMC1/16 271JATP	J24185271		1-	B	
R 9772	CHIP RES.	270	1/16W	5%	RMC1/16 271JATP	J24185271		1-	B	
R 9773	CHIP RES.	270	1/16W	5%	RMC1/16 271JATP	J24185271		1-	B	
R 9774	CHIP RES.	270	1/16W	5%	RMC1/16 271JATP	J24185271		1-	B	
S 9752	TACT SWITCH				SKRPABE010	N5090133		1-	A	
S 9753	TACT SWITCH				SKRPABE010	N5090133		1-	A	
S 9754	TACT SWITCH				SKRPABE010	N5090133		1-	A	
S 9755	TACT SWITCH				SKRPABE010	N5090133		1-	A	
S 9756	TACT SWITCH				SKRPABE010	N5090133		1-	A	
S 9757	TACT SWITCH				SKRPABE010	N5090133		1-	A	
S 9758	TACT SWITCH				SKRPABE010	N5090133		1-	A	
S 9759	TACT SWITCH				SKRPABE010	N5090133		1-	A	
S 9760	TACT SWITCH				SKRPABE010	N5090133		1-	A	
S 9761	TACT SWITCH				SKRPABE010	N5090133		1-	A	
S 9762	TACT SWITCH				SKRPABE010	N5090133		1-	A	
S 9763	TACT SWITCH				SKRPABE010	N5090133		1-	A	
S 9764	TACT SWITCH				SKRPABE010	N5090133		1-	A	



# *SW-J Unit*

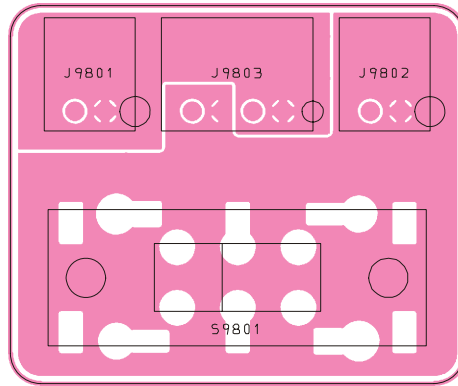
*Note*

# SW-N Unit Circuit Diagram

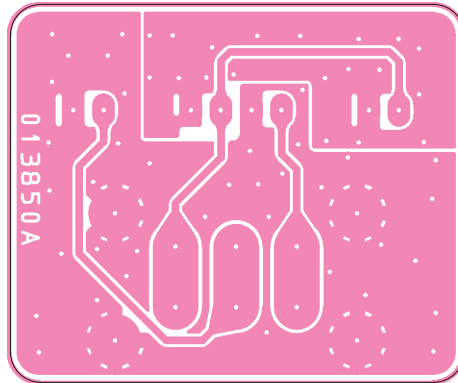


# SW-N Unit

## Parts Layout



Side A



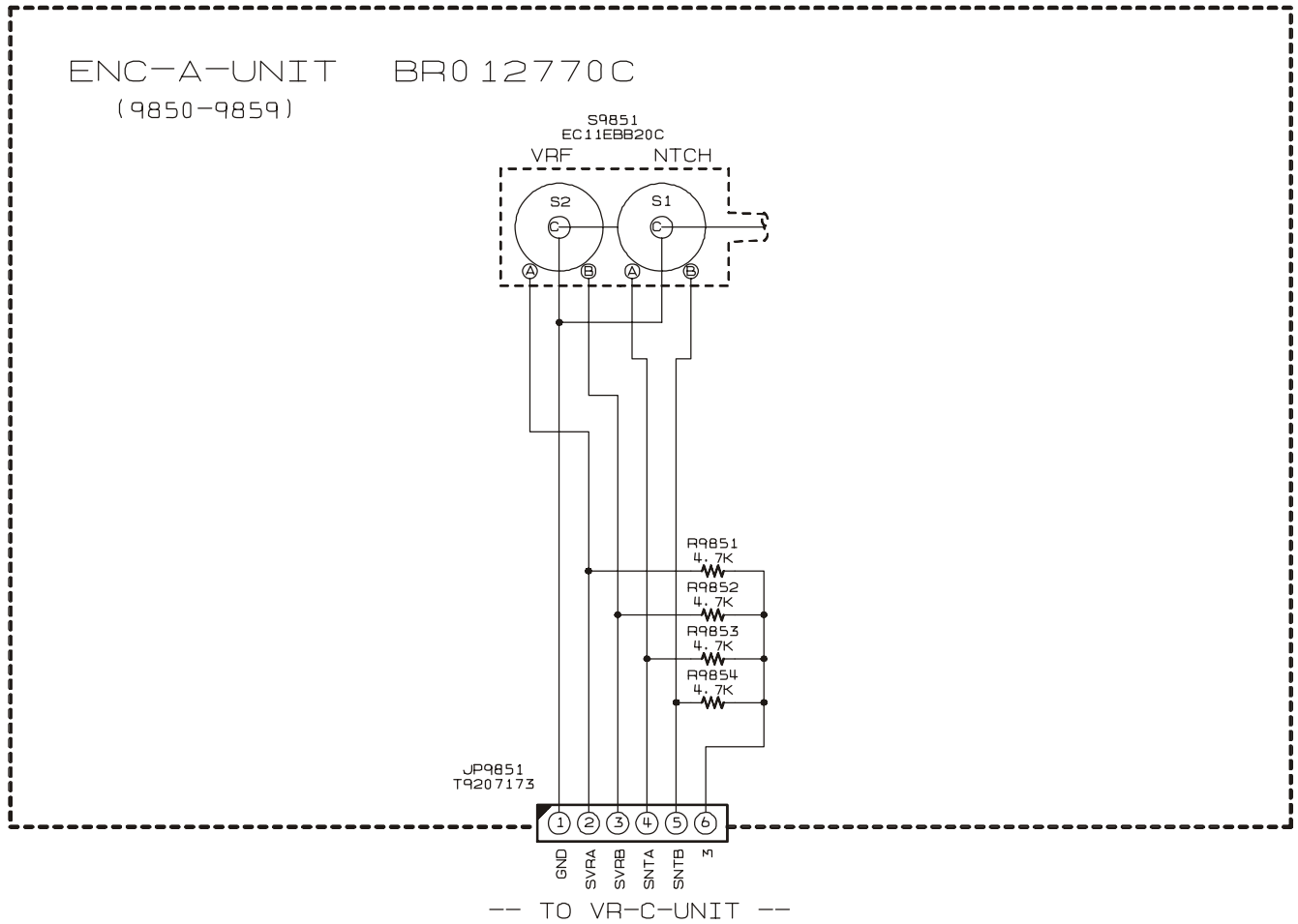
Side B

## Parts List

REF	DESCRIPTION	VALUE	V/W	TOL.	MFR'S DESIG	VXSTD P/N	VERS.	LOT	SIDE	LAY ADR
	PCB with Components					CB3309001				
	Printed Circuit Board					FR013850A		4-		
J 9801	CONNECTOR				SB20-02WL	P0090763		4-	A	
J 9802	CONNECTOR				SB20-02WL	P0090763		4-	A	
J 9803	CONNECTOR				SB20-04WL	P0090826		4-	A	
S 9801	SLIDE SWITCH				SSSB02150	N6090108		4-	A	

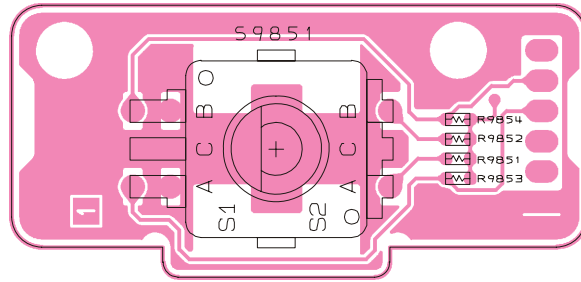
# ENC-A Unit

## Circuit Diagram

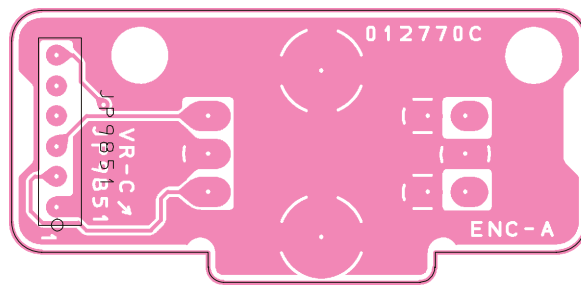


# ENC-A Unit

## Parts Layout



Side A



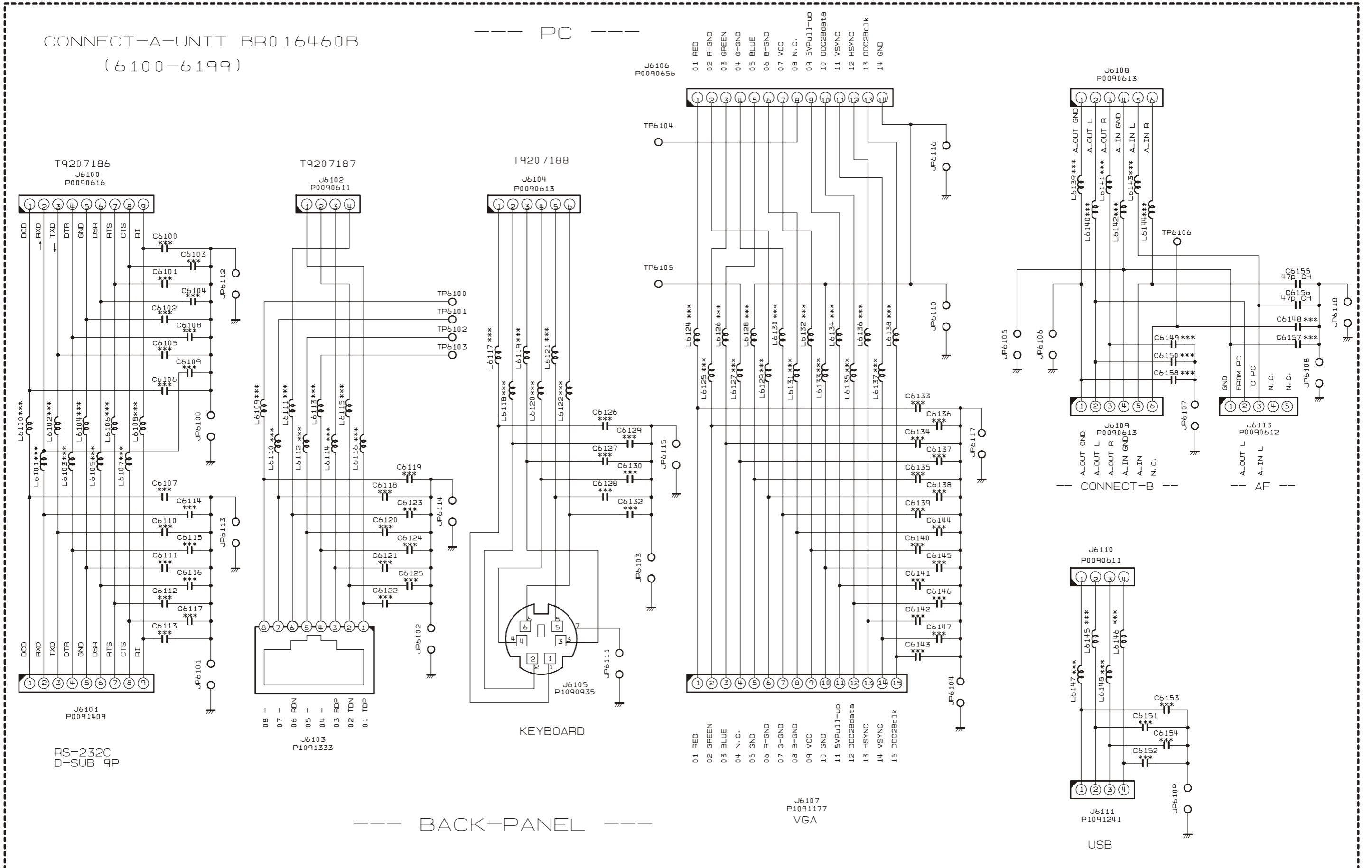
Side B

## Parts List

REF	DESCRIPTION	VALUE	V/W	TOL.	MFR'S DESIG	VXSTD P/N	VERS.	LOT	SIDE	LAY ADR
PCB with Components						CB3055001				
Printed Circuit Board						FR012770C		1-		
JP9851	WIRE ASSY				AH010H	T9207173		1-	B	
R 9851	CHIP RES.	4.7k	1/16W	5%	RMC1/16 472JATP	J24185472		1-	A	
R 9852	CHIP RES.	4.7k	1/16W	5%	RMC1/16 472JATP	J24185472		1-	A	
R 9853	CHIP RES.	4.7k	1/16W	5%	RMC1/16 472JATP	J24185472		1-	A	
R 9854	CHIP RES.	4.7k	1/16W	5%	RMC1/16 472JATP	J24185472		1-	A	
S 9851	ROTARY ENCODER				EC11EBB20C	Q9000823		1-	A	

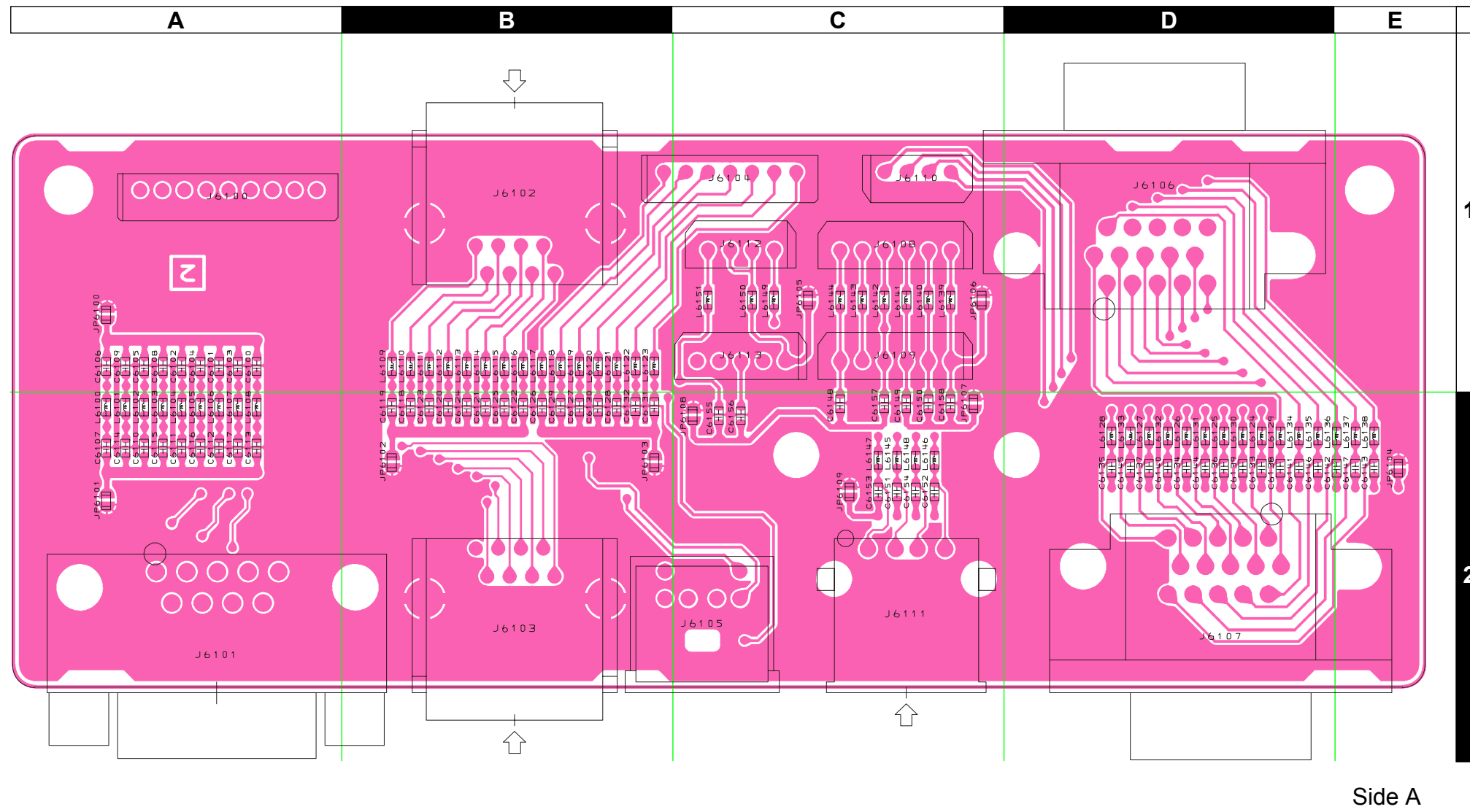
# CONNECT-A Unit (D, MP Type, DMU-9000)

## Circuit Diagram



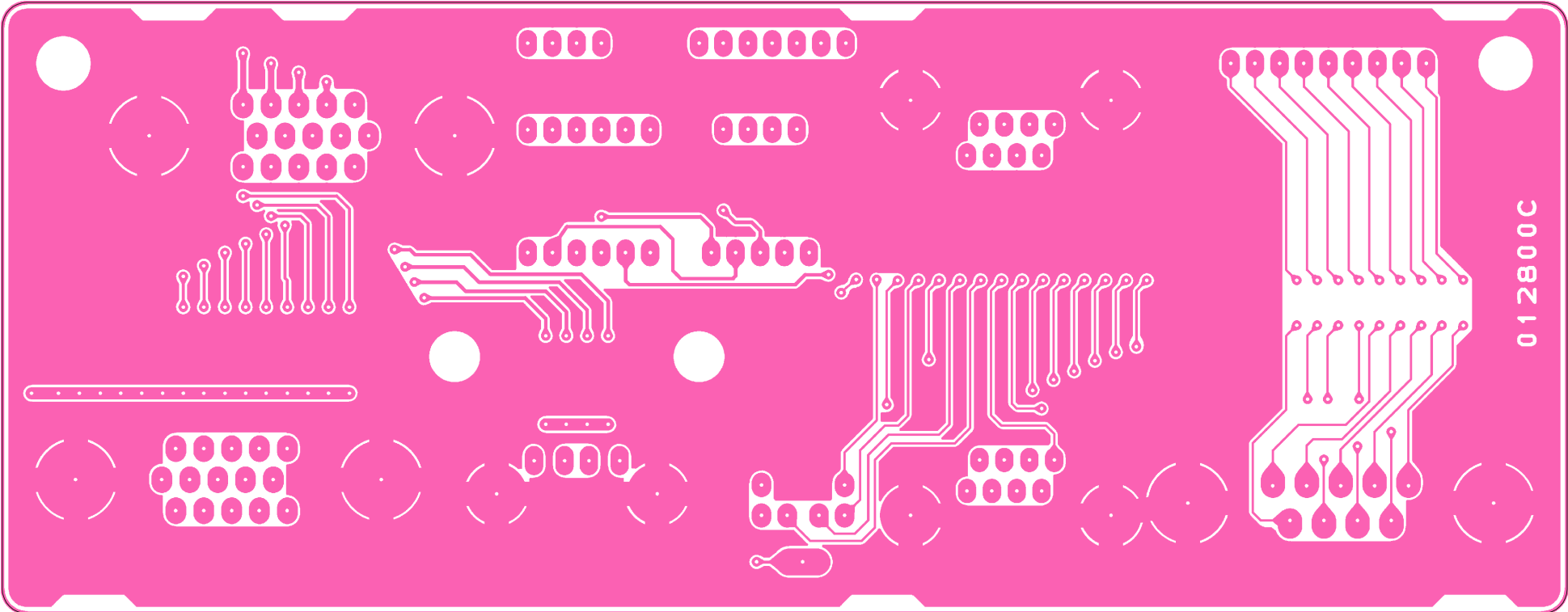
***CONNECT-A Unit (D, MP Type, DMU-9000)***

*Note*





*CONNECT-A Unit (D, MP Type, DMU-9000)*



Side B

# CONNECT-A Unit (D,MP Type, DMU-9000)

## Parts List

REF	DESCRIPTION	VALUE	V/W	TOL.	MFR'S DESIG	VXSTD P/N	VERS.	LOT	SIDE	LAY	ADR
PCB with Components						CB3058002	W/MEMORY				
Printed Circuit Board						CB3058003	CE Type, W/MEMORY				
						FR012800B		1-3			
						FR012800C		4-			
C 6155	CHIP CAP.	47pF	50V	CH	GRM1882C1H470JA01D	K22174227	W/ CE LABEL	23-	A		C1
C 6156	CHIP CAP.	47pF	50V	CH	GRM1882C1H470JA01D	K22174227	W/ CE LABEL	23-	A		C1
J 6100	CONNECTOR				SB20-09WS	P0090616		4-	A		A1
J 6101	CONNECTOR				XM2C-0942-232L	P0091409		4-	A		A2
J 6102	CONNECTOR				290A-88-30-335-F	P1091047		4-	A		B1
J 6102	CONNECTOR				SB20-04WS	P0090611		23-	A		B1
J 6103	CONNECTOR				290A-88-30-335-F	P1091047		4-	A		B2
J 6103	CONNECTOR				J0006D21NL	P1091333		23-	A		B2
J 6104	CONNECTOR				SB20-07WS	P0090614		4-	A		B1
J 6104	CONNECTOR				SB20-06WS	P0090613		23-	A		B1
J 6105	CONNECTOR				MDC-086	P1090935		4-	A		C2
J 6105	CONNECTOR				MD-S6000-90(LF)(SN)	P1091087		28-	A		C2
J 6106	CONNECTOR				AE0195-00E	P1091177		4-	A		D1
J 6106	CONNECTOR				SB20-14WS	P0090656		23-	A		D1
J 6107	CONNECTOR				AE0195-00E	P1091177		4-	A		D2
J 6108	CONNECTOR				SB20-06WS	P0090613		4-	A		C1
J 6109	CONNECTOR				SB20-06WS	P0090613		4-	A		C1
J 6110	CONNECTOR				SB20-04WS	P0090611		4-	A		C1
J 6111	CONNECTOR				XM7A-0442	P1091241		4-	A		C2
J 6112	CONNECTOR				SB20-04WS	P0090611		4-22	A		C1
J 6113	CONNECTOR				SB20-05WS	P0090612		4-	A		C1
J 9861	CONNECTOR				SB20-09WS	P0090616		1-3			
J 9862	CONNECTOR				XM2C-0942-232L	P0091409		1-3			
J 9863	CONNECTOR				290A-88-30-335-F	P1091047		1-3			
J 9864	CONNECTOR				290A-88-30-335-F	P1091047		1-3			
J 9865	CONNECTOR				SB20-07WS	P0090614		1-3			
J 9866	CONNECTOR				MDC-086	P1090935		1-3			
J 9868	CONNECTOR				XM7A-0442	P1091241		1-3			
J 9869	CONNECTOR				AE0195-00E	P1091177		1-3			
J 9870	CONNECTOR				AE0195-00E	P1091177		1-3			
J 9871	CONNECTOR				SB20-06WS	P0090613		1-3			
J 9872	CONNECTOR				SB20-06WS	P0090613		1-3			
J 9873	CONNECTOR				SB20-04WS	P0090611		1-3			
J 9874	CONNECTOR				SB20-05WS	P0090612		1-3			
J 9875	CONNECTOR				SB20-04WS	P0090611		1-3			
JP6105	CHIPRES.	0	1/16W	5%	RMC1/16 000JATP	J24185000		4-	A		C1
JP9860	WIRE ASSY				GRN 30 2/2	T50503000		1-3			
JP9861	WIRE ASSY				GRN 30 2/2	T50503000		1-3			
L 6100	FERRITE BEADS				BK1608HS601-T	L9190083	W/ CE LABEL	4-	A		A1
L 6100	CHIPRES.	0	1/16W	5%	RMC1/16 000JATP	J24185000	W/ O CE LABEL	4-	A		A1
L 6101	FERRITE BEADS				BK1608HS601-T	L9190083	W/ CE LABEL	4-	A		A1
L 6101	CHIPRES.	0	1/16W	5%	RMC1/16 000JATP	J24185000	W/ O CE LABEL	4-	A		A1
L 6102	FERRITE BEADS				BK1608HS601-T	L9190083	W/ CE LABEL	4-	A		A1
L 6102	CHIPRES.	0	1/16W	5%	RMC1/16 000JATP	J24185000	W/ O CE LABEL	4-	A		A1
L 6103	FERRITE BEADS				BK1608HS601-T	L9190083	W/ CE LABEL	4-	A		A1
L 6103	CHIPRES.	0	1/16W	5%	RMC1/16 000JATP	J24185000	W/ O CE LABEL	4-	A		A1
L 6104	FERRITE BEADS				BK1608HS601-T	L9190083	W/ CE LABEL	4-	A		A1
L 6104	CHIPRES.	0	1/16W	5%	RMC1/16 000JATP	J24185000	W/ O CE LABEL	4-	A		A1
L 6105	FERRITE BEADS				BK1608HS601-T	L9190083	W/ CE LABEL	4-	A		A1
L 6105	CHIPRES.	0	1/16W	5%	RMC1/16 000JATP	J24185000	W/ O CE LABEL	4-	A		A1
L 6106	FERRITE BEADS				BK1608HS601-T	L9190083	W/ CE LABEL	4-	A		A1
L 6106	CHIPRES.	0	1/16W	5%	RMC1/16 000JATP	J24185000	W/ O CE LABEL	4-	A		A1
L 6107	FERRITE BEADS				BK1608HS601-T	L9190083	W/ CE LABEL	4-	A		A1
L 6107	CHIPRES.	0	1/16W	5%	RMC1/16 000JATP	J24185000	W/ O CE LABEL	4-	A		A1
L 6108	FERRITE BEADS				BK1608HS601-T	L9190083	W/ CE LABEL	4-	A		A1
L 6108	CHIPRES.	0	1/16W	5%	RMC1/16 000JATP	J24185000	W/ O CE LABEL	4-	A		A1
L 6109	FERRITE BEADS				BK1608HS601-T	L9190083	W/ CE LABEL	4-	A		B1
L 6109	CHIPRES.	0	1/16W	5%	RMC1/16 000JATP	J24185000	W/ O CE LABEL	4-	A		B1
L 6110	FERRITE BEADS				BK1608HS601-T	L9190083	W/ CE LABEL	4-	A		B1
L 6110	CHIPRES.	0	1/16W	5%	RMC1/16 000JATP	J24185000	W/ O CE LABEL	4-	A		B1
L 6111	FERRITE BEADS				BK1608HS601-T	L9190083	W/ CE LABEL	4-	A		B1
L 6111	CHIPRES.	0	1/16W	5%	RMC1/16 000JATP	J24185000	W/ O CE LABEL	4-	A		B1
L 6112	FERRITE BEADS				BK1608HS601-T	L9190083	W/ CE LABEL	4-	A		B1
L 6112	CHIPRES.	0	1/16W	5%	RMC1/16 000JATP	J24185000	W/ O CE LABEL	4-	A		B1
L 6113	FERRITE BEADS				BK1608HS601-T	L9190083	W/ CE LABEL	4-	A		B1
L 6113	CHIPRES.	0	1/16W	5%	RMC1/16 000JATP	J24185000	W/ O CE LABEL	4-	A		B1
L 6114	FERRITE BEADS				BK1608HS601-T	L9190083	W/ CE LABEL	4-	A		B1
L 6114	CHIPRES.	0	1/16W	5%	RMC1/16 000JATP	J24185000	W/ O CE LABEL	4-	A		B1
L 6115	FERRITE BEADS				BK1608HS601-T	L9190083	W/ CE LABEL	4-	A		B1



# CONNECT-A Unit (D,MP Type, DMU-9000)

## Parts List

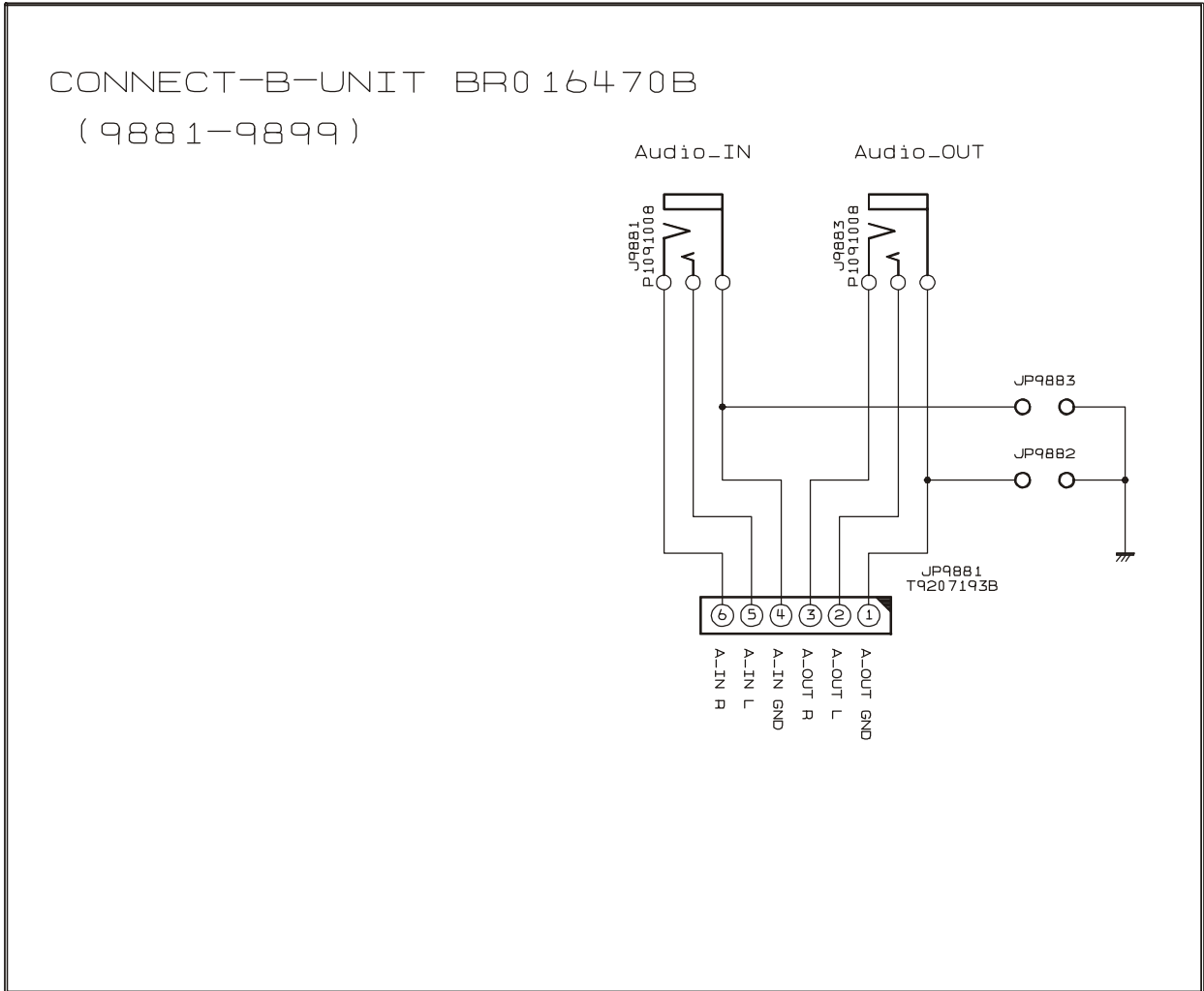
REF	DESCRIPTION	VALUE	V/W	TOL.	MFR'S DESIG	VXSTD P/N	VERS.	LOT	SIDE	LAY ADR
L 6144	CHIPRES.	0	1/16W	5%	RMC1/16 000JATP	J24185000	W/O CE LABEL	4-	A	C1
L 6145	FERRITE BEADS				BK1608HS601-T	L9190083	W/ CE LABEL	4-	A	C1
L 6145	CHIPRES.	0	1/16W	5%	RMC1/16 000JATP	J24185000	W/O CE LABEL	4-	A	C1
L 6146	FERRITE BEADS				BK1608HS601-T	L9190083	W/ CE LABEL	4-	A	C1
L 6146	CHIPRES.	0	1/16W	5%	RMC1/16 000JATP	J24185000	W/O CE LABEL	4-	A	C1
L 6147	FERRITE BEADS				BK1608HS601-T	L9190083	W/ CE LABEL	4-	A	C1
L 6147	CHIPRES.	0	1/16W	5%	RMC1/16 000JATP	J24185000	W/O CE LABEL	4-	A	C1
L 6148	FERRITE BEADS				BK1608HS601-T	L9190083	W/ CE LABEL	4-	A	C1
L 6148	CHIPRES.	0	1/16W	5%	RMC1/16 000JATP	J24185000	W/O CE LABEL	4-	A	C1
L 6149	FERRITE BEADS				BK1608HS601-T	L9190083	W/ CE LABEL	4-22	A	C1
L 6149	CHIPRES.	0	1/16W	5%	RMC1/16 000JATP	J24185000	W/O CE LABEL	4-22	A	C1
L 6150	FERRITE BEADS				BK1608HS601-T	L9190083	W/ CE LABEL	4-22	A	C1
L 6150	CHIPRES.	0	1/16W	5%	RMC1/16 000JATP	J24185000	W/O CE LABEL	4-22	A	C1
L 6151	FERRITE BEADS				BK1608HS601-T	L9190083	W/ CE LABEL	4-22	A	C1
L 6151	CHIPRES.	0	1/16W	5%	RMC1/16 000JATP	J24185000	W/O CE LABEL	4-22	A	C1

# *CONNECT-A Unit (D,MP Type, DMU-9000)*

*Note*

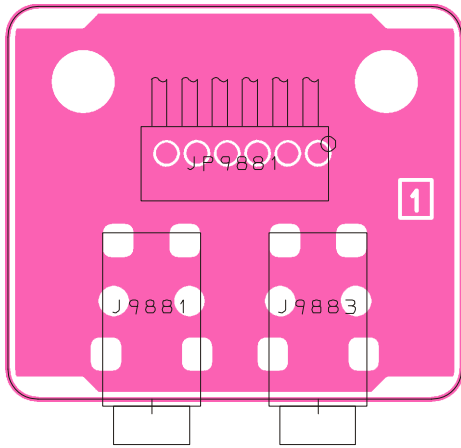
# CONNECT-B Unit (D, Contest Type, DMU-9000)

## Circuit Diagram

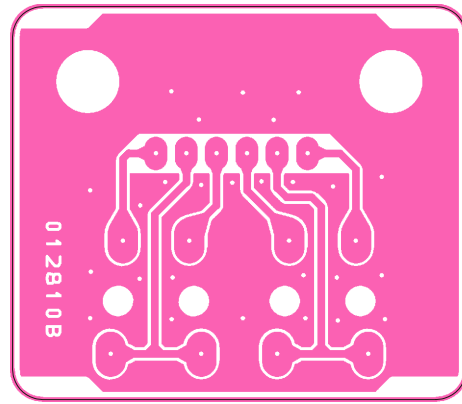


# CONNECT-B Unit (D, Contest Type, DMU-9000)

## Parts Layout



Side A



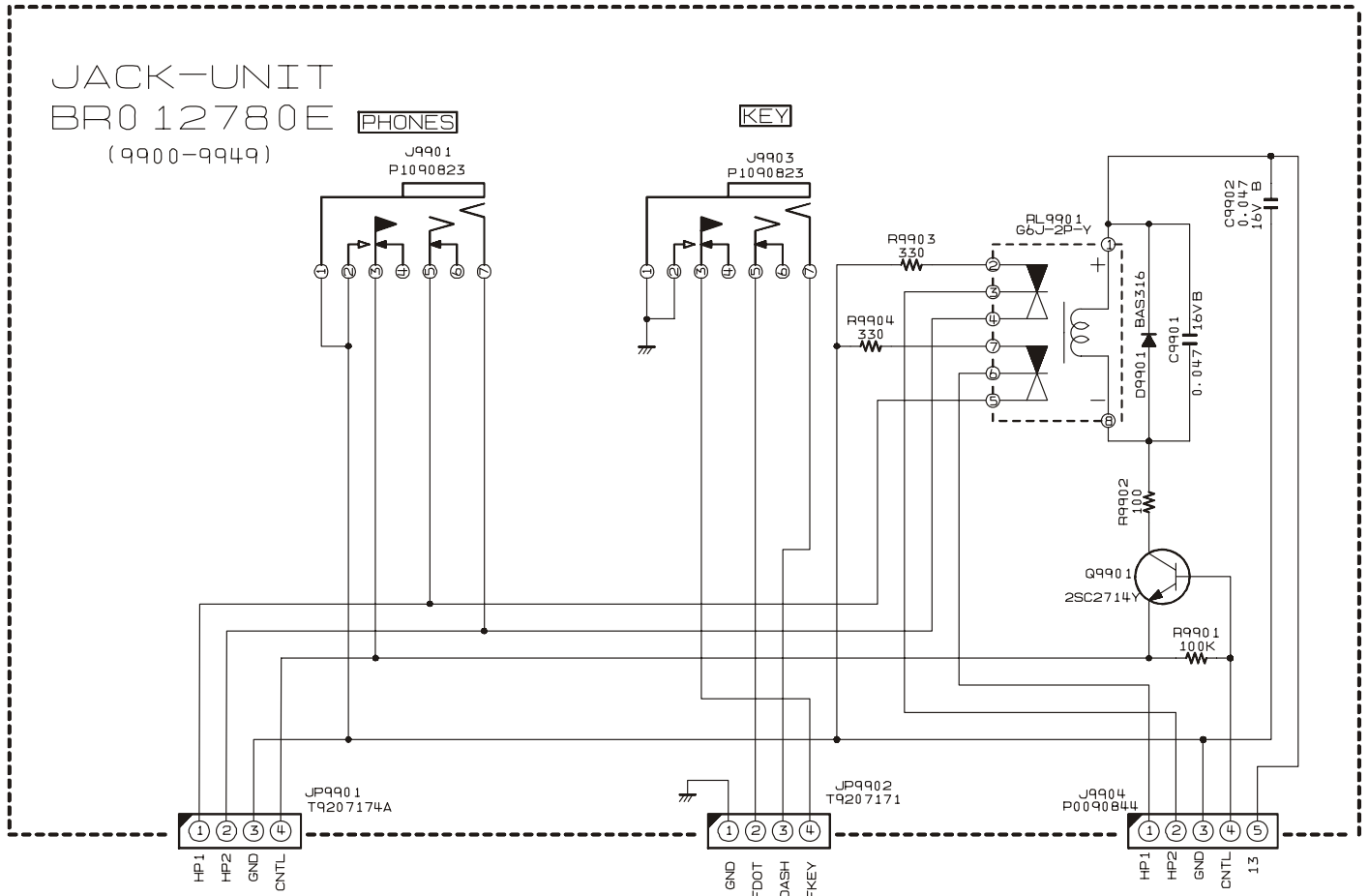
Side B

## Parts List

REF	DESCRIPTION	VALUE	V/W	TOL.	MFR'S DESIG	YAESU P/N	VERS.	LOT	SIDE	LAY ADR
PCB with Components						CB3059001	MEM:ON	1-22		
						CB3059002	MEMON,CEOFF	23-		
						CB3059003	MEMON,CEON	23-		
J 9881	CONNECTOR				MX345GLB	P1091008		1-		
J 9883	CONNECTOR				MX345GLB	P1091008		1-		
JP9881	WIRE ASSY				AH010H	T9207193B		1-		
JP9882	CHIP RES.	0	1/16W	5%	RMC1/16 000JATP	J24185000	W/ CE LABEL	23-		
JP9883	CHIP RES.	0	1/16W	5%	RMC1/16 000JATP	J24185000	W/ CE LABEL	23-		

# JACK Unit

## Circuit Diagram



--Contest Ver. : TO JACK-S-UNIT --

--D/MP Ver. : TO VR-C-UNIT (DUMMY) --

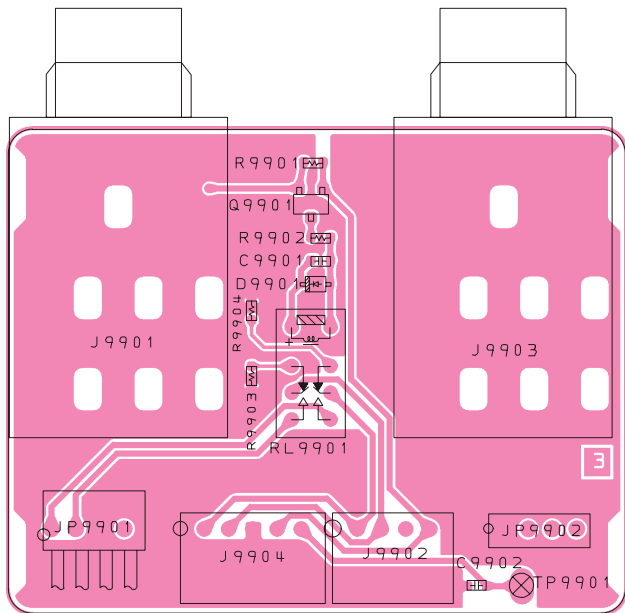
-- TO SW-C-UNIT --

-- TO AF-UNIT --

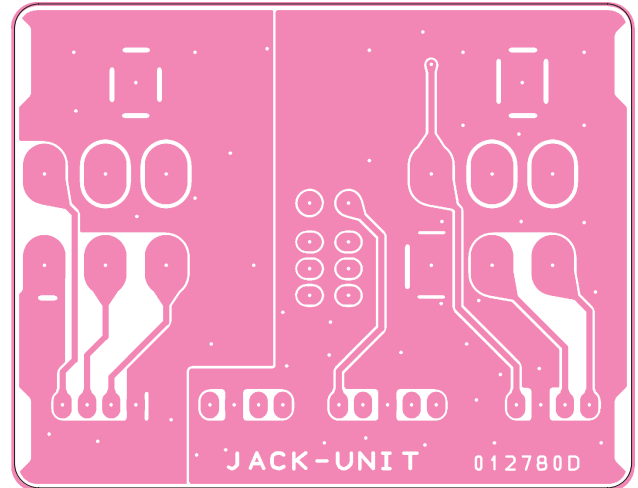


# JACK Unit

## Parts Layout



Side A



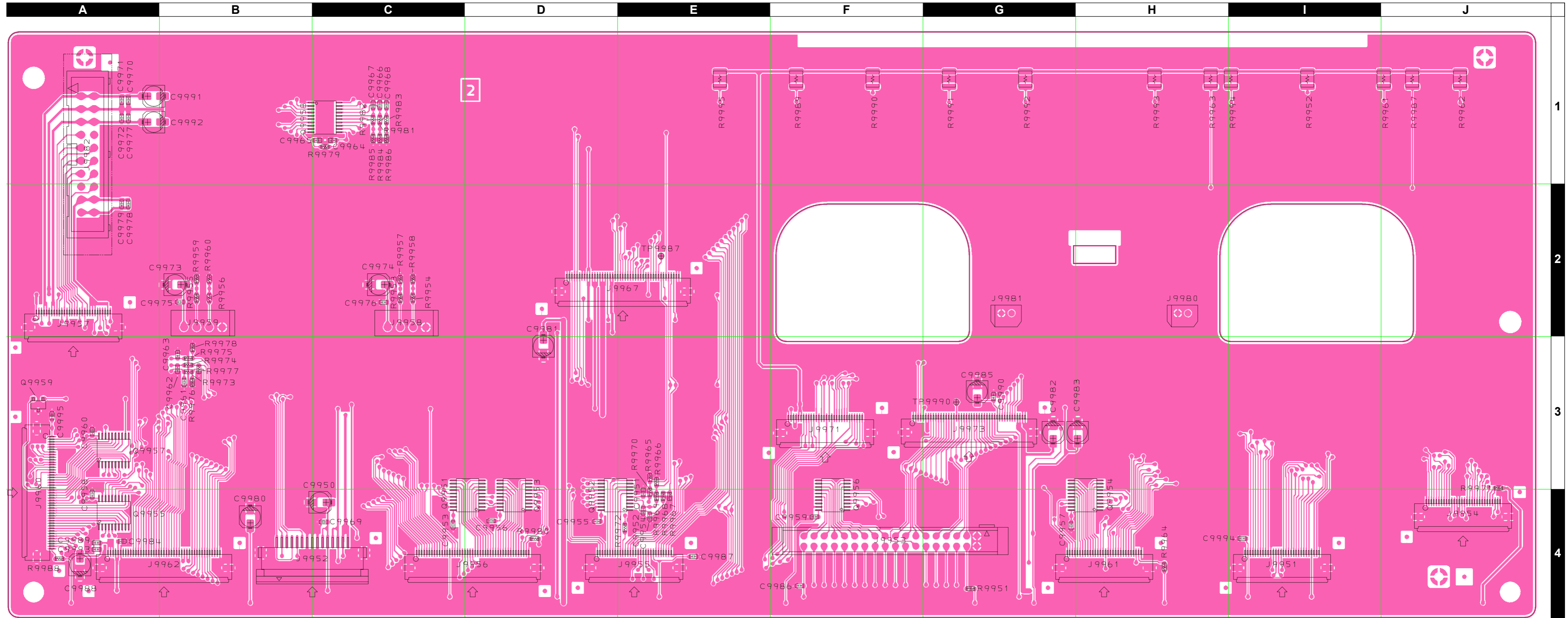
Side B

## Parts List

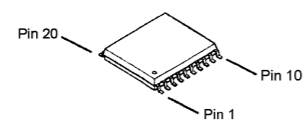
REF	DESCRIPTION	VALUE	V/W	TOL.	MFR'S DESIG	VXSTD P/N	VERS.	LOT	SIDE	LAY ADR
PCB with Components						CB3056001				
Printed Circuit Board						FR012780D		1-		
C 9901	CHIP CAP.	0.047uF	16V	B	GRM39B473K16PT	K22124804		1-	A	
C 9901	CHIP CAP.	0.047uF	25V	B	GRM188B11E473KA01D	K22144811		27-	A	
C 9902	CHIP CAP.	0.047uF	16V	B	GRM39B473K16PT	K22124804		1-	A	
C 9902	CHIP CAP.	0.047uF	25V	B	GRM188B11E473KA01D	K22144811		27-	A	
D 9901	DIODE				BAS316	G2070716		1-	A	
J 9901	CONNECTOR				HLJ2305-0130609	P1090823		1-	A	
J 9902	CONNECTOR				SB20-04WL	P0090826		1-3	A	
J 9903	CONNECTOR				HLJ2305-0130609	P1090823		1-	A	
J 9904	CONNECTOR				SB20-05WL	P0090844		1-	A	
JP9901	WIRE ASSY				AH010H	T9207174A		1-	A	
JP9902	WIRE ASSY				AH010H	T9207171		1-	A	
JP9903	WIRE ASSY				GRN 90 2/2	T50509000		1		
Q 9901	TRANSISTOR				2SC2714Y(TE85R.F)	G3327147Y		1-	A	
R 9901	CHIPRES.	100k	1/16W	5%	RMC1/16 104JATP	J24185104		1-	A	
R 9902	CHIPRES.	100	1/16W	5%	RMC1/16 101JATP	J24185101		1-	A	
R 9903	CHIPRES.	330	1/16W	5%	RMC1/16 331JATP	J24185331		1-	A	
R 9904	CHIPRES.	330	1/16W	5%	RMC1/16 331JATP	J24185331		1-	A	
RL9901	RELAY				G6J-2P-Y DC12V	M1190190		1-	A	



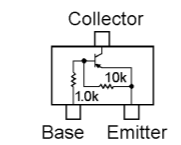




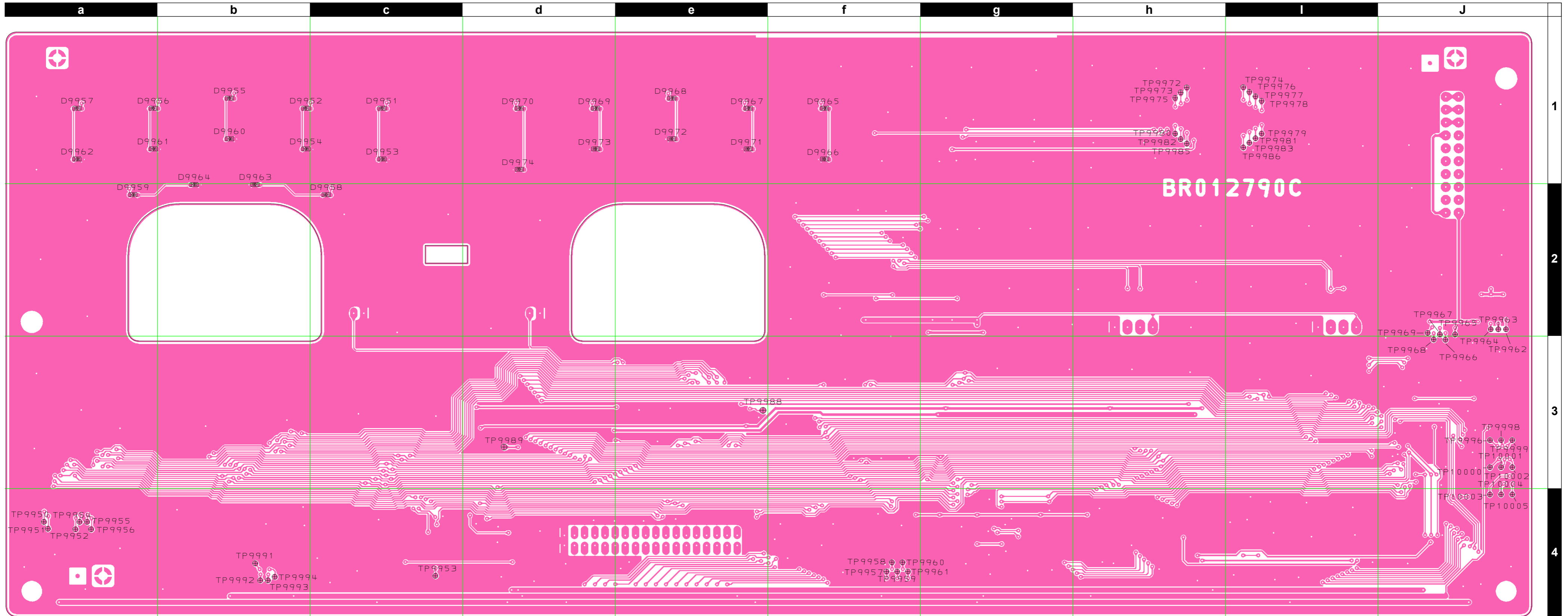
Side A



BU2099F-V-E2  
(Q9951, 9952, 9953,  
9954, 9955, 9956,  
9957)



DTB113ZK (G11)  
(Q9959)



Side B

REF	DESCRIPTION	VALUE	V/W	TOL.	MFR'S DESIG	VXSTD P/N	VERS.	LOT	SIDE	LAY ADR
PCB with Components						CB3057001				
Printed Circuit Board						FR012790C		1-		
C 9950	AL.ELECTRO.CAP.	10uF	35V		ECEV1VA100WR	K48160004		1-	A	C4
C 9950	AL.ELECTRO.CAP.	10uF	35V		EEE1VA100WR	K48160006		9-	A	C4
C 9953	CHIP CAP.	0.01uF	50V	B	GRM188B11H103KA01D	K22174823		1-	A	C4
C 9955	CHIP CAP.	0.01uF	50V	B	GRM188B11H103KA01D	K22174823		1-	A	D4
C 9956	CHIP CAP.	0.01uF	50V	B	GRM188B11H103KA01D	K22174823		1-	A	D4
C 9957	CHIP CAP.	0.01uF	50V	B	GRM188B11H103KA01D	K22174823		1-	A	G4
C 9958	CHIP CAP.	0.01uF	50V	B	GRM188B11H103KA01D	K22174823		1-	A	A4
C 9959	CHIP CAP.	0.01uF	50V	B	GRM188B11H103KA01D	K22174823		1-	A	F4
C 9960	CHIP CAP.	0.01uF	50V	B	GRM188B11H103KA01D	K22174823		1-	A	A3
C 9969	CHIP CAP.	0.1uF	16V	B	GRM188B11C104KA01D	K22124805		1-	A	C4
C 9970	CHIP CAP.	0.1uF	16V	B	GRM188B11C104KA01D	K22124805		1-	A	A1
C 9971	CHIP CAP.	0.001uF	50V	B	GRM188B11H102KA01D	K22174821		1-	A	A1
C 9972	CHIP CAP.	0.1uF	16V	B	GRM188B11C104KA01D	K22124805		1-	A	A1
C 9973	AL.ELECTRO.CAP.	10uF	35V		ECEV1VA100WR	K48160004		1-	A	B2
C 9973	AL.ELECTRO.CAP.	10uF	35V		EEE1VA100WR	K48160006		9-	A	B2
C 9974	AL.ELECTRO.CAP.	10uF	35V		ECEV1VA100WR	K48160004		1-	A	C2
C 9974	AL.ELECTRO.CAP.	10uF	35V		EEE1VA100WR	K48160006		9-	A	C2
C 9977	CHIP CAP.	0.001uF	50V	B	GRM188B11H102KA01D	K22174821		1-	A	A1
C 9978	CHIP CAP.	0.1uF	16V	B	GRM188B11C104KA01D	K22124805		1-	A	A2
C 9979	CHIP CAP.	0.001uF	50V	B	GRM188B11H102KA01D	K22174821		1-	A	A2
C 9980	AL.ELECTRO.CAP.	10uF	35V		ECEV1VA100WR	K48160004		1-	A	B4
C 9980	AL.ELECTRO.CAP.	10uF	35V		EEE1VA100WR	K48160006		9-	A	B4
C 9981	AL.ELECTRO.CAP.	10uF	35V		ECEV1VA100WR	K48160004		1-	A	D3
C 9981	AL.ELECTRO.CAP.	10uF	35V		EEE1VA100WR	K48160006		9-	A	D3
C 9982	AL.ELECTRO.CAP.	10uF	35V		ECEV1VA100WR	K48160004		1-	A	G3
C 9982	AL.ELECTRO.CAP.	10uF	35V		EEE1VA100WR	K48160006		9-	A	G3
C 9983	AL.ELECTRO.CAP.	10uF	35V		ECEV1VA100WR	K48160004		1-	A	H3
C 9983	AL.ELECTRO.CAP.	10uF	35V		EEE1VA100WR	K48160006		9-	A	H3
C 9984	CHIP CAP.	0.1uF	16V	B	GRM188B11C104KA01D	K22124805		1-	A	A4
C 9985	AL.ELECTRO.CAP.	10uF	35V		ECEV1VA100WR	K48160004		1-	A	G3
C 9985	AL.ELECTRO.CAP.	10uF	35V		EEE1VA100WR	K48160006		9-	A	G3
C 9988	AL.ELECTRO.CAP.	10uF	35V		ECEV1VA100WR	K48160004		1-	A	A4
C 9988	AL.ELECTRO.CAP.	10uF	35V		EEE1VA100WR	K48160006		9-	A	A4
C 9989	CHIP CAP.	0.1uF	16V	B	GRM188B11C104KA01D	K22124805		1-	A	A4
C 9993	CHIP CAP.	0.001uF	50V	B	GRM188B11H102KA01D	K22174821		1-	A	A4
D 9951	LED				UW1141C-TR	G2071010		1-	B	c1
D 9952	LED				UW1141C-TR	G2071010		1-	B	b1
D 9953	LED				UW1141C-TR	G2071010		1-	B	c1
D 9954	LED				UW1141C-TR	G2071010		1-	B	b1
D 9955	LED				UW1141C-TR	G2071010		1-	B	b1
D 9956	LED				UW1141C-TR	G2071010		1-	B	a1
D 9957	LED				UW1141C-TR	G2071010		1-	B	a1
D 9958	LED				UW1141C-TR	G2071010		1-	B	c2
D 9959	LED				UW1141C-TR	G2071010		1-	B	a2
D 9960	LED				UW1141C-TR	G2071010		1-	B	b1
D 9961	LED				UW1141C-TR	G2071010		1-	B	a1
D 9962	LED				UW1141C-TR	G2071010		1-	B	a1
D 9963	LED				UW1141C-TR	G2071010		1-	B	b2
D 9964	LED				UW1141C-TR	G2071010		1-	B	b2
D 9965	LED				UW1141C-TR	G2071010		1-	B	f1
D 9966	LED				UW1141C-TR	G2071010		1-	B	f1
D 9967	LED				UW1141C-TR	G2071010		1-	B	e1
D 9968	LED				UW1141C-TR	G2071010		1-	B	e1
D 9969	LED				UW1141C-TR	G2071010		1-	B	d1
D 9970	LED				UW1141C-TR	G2071010		1-	B	d1
D 9971	LED				UW1141C-TR	G2071010		1-	B	e1
D 9972	LED				UW1141C-TR	G2071010		1-	B	e1
D 9973	LED				UW1141C-TR	G2071010		1-	B	d1
D 9974	LED				UW1141C-TR	G2071010		1-	B	d1
J 9951	CONNECTOR				9637S-30-Y905	P1091169		1-	A	I4
J 9952	CONNECTOR				52271-1579	P1091224		1-	A	B4
J 9953	CONNECTOR				LPC-B36M2G	P0091403		1-	A	F4
J 9954	CONNECTOR				9637S-30-Y905	P1091169		1-	A	J4
J 9955	CONNECTOR				9637S-30-Y905	P1091169		1-	A	E4
J 9956	CONNECTOR				9637S-45-Y905	P1091171		1-	A	D4
J 9957	CONNECTOR				9637S-30-Y905	P1091169		1-	A	A2
J 9958	CONNECTOR				SC25-04WS	P0090623		1-	A	C2
J 9959	CONNECTOR				SC25-04WS	P0090623		1-	A	B2
J 9960	CONNECTOR				9637S-45-Y905	P1091171		1-	A	A4
J 9961	CONNECTOR				9637S-30-Y905	P1091169		1-	A	H4
J 9962	CONNECTOR				9637S-45-Y905	P1091171		1-	A	B4

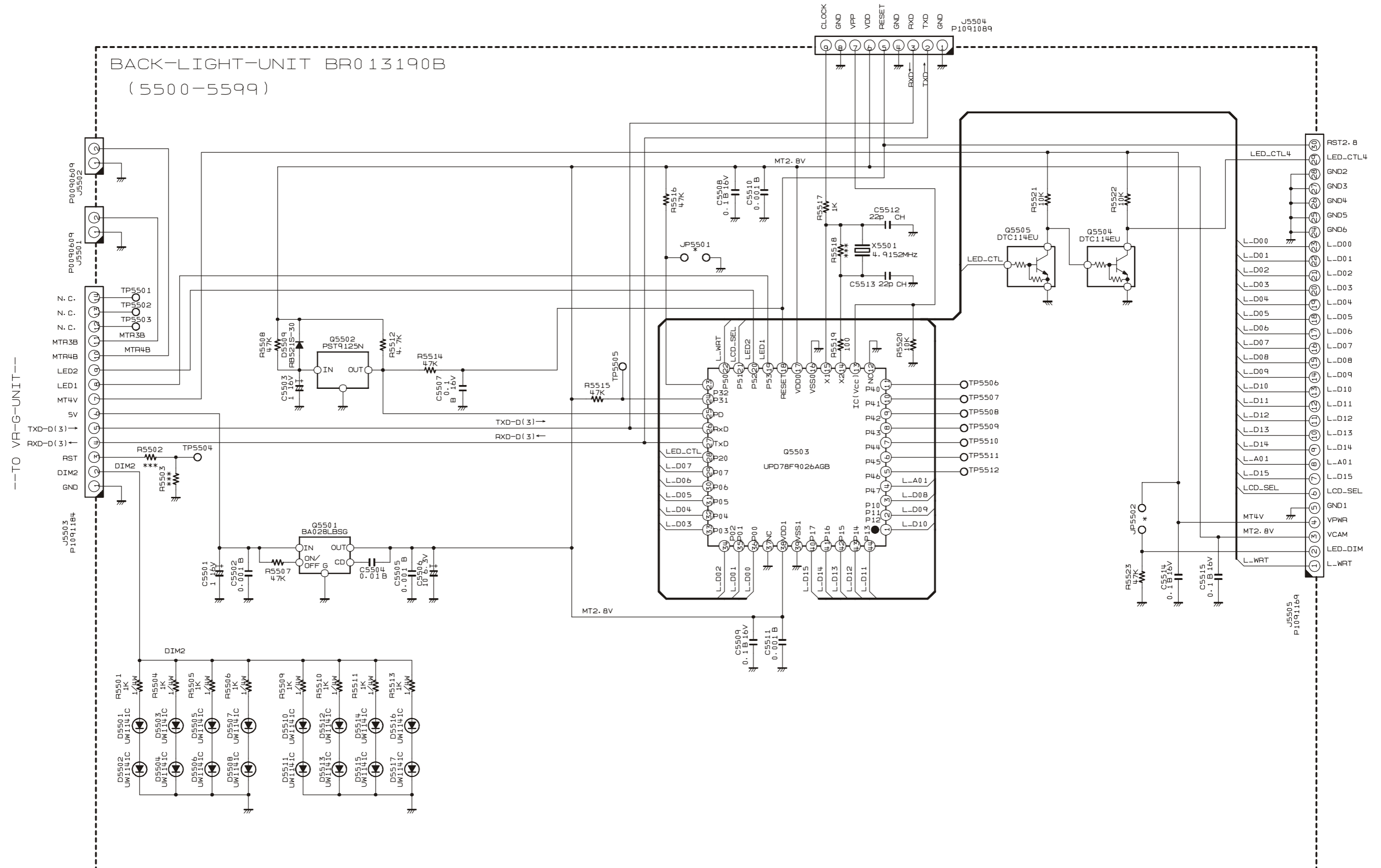
# LINK Unit

## Parts List

REF	DESCRIPTION	VALUE	V/W	TOL.	MFR'S DESIG	VXSTD P/N	VERS.	LOT	SIDE	LAY ADR
J 9967	CONNECTOR				9637S-45-Y905	P1091171		1-	A	E2
J 9971	CONNECTOR				9637S-30-Y905	P1091169		1-	A	F3
J 9973	CONNECTOR				9637S-45-Y905	P1091171		1-	A	G3
J 9980	CONNECTOR				SB20-02WS	P0090609		1-	A	H2
J 9981	CONNECTOR				SB20-02WS	P0090609		1-	A	G2
J 9982	CONNECTOR				XG4C-2031	P0091404		1-	A	A1
Q 9951	IC				BU2099FV-E2	G1093243		1-	A	D4
Q 9952	IC				BU2099FV-E2	G1093243		1-	A	D4
Q 9953	IC				BU2099FV-E2	G1093243		1-	A	D4
Q 9954	IC				BU2099FV-E2	G1093243		1-	A	H4
Q 9955	IC				BU2099FV-E2	G1093243		1-	A	A4
Q 9956	IC				BU2099FV-E2	G1093243		1-	A	F4
Q 9957	IC				BU2099FV-E2	G1093243		1-	A	A3
Q 9959	TRANSISTOR				DTB113ZK T146	G3070103		1-	A	A3
R 9951	CHIPRES.	0	1/16W	5%	RMC1/16 000JATP	J24185000		1-	A	G4
R 9952	CHIPRES.	1k	1/4W	5%	RMC1/4 102JATP	J24245102		1-	A	I1
R 9953	CHIPRES.	0	1/16W	5%	RMC1/16 000JATP	J24185000		1-	A	C2
R 9954	CHIPRES.	0	1/16W	5%	RMC1/16 000JATP	J24185000		1-	A	C2
R 9955	CHIPRES.	0	1/16W	5%	RMC1/16 000JATP	J24185000		1-	A	B2
R 9956	CHIPRES.	0	1/16W	5%	RMC1/16 000JATP	J24185000		1-	A	B2
R 9961	CHIPRES.	1k	1/4W	5%	RMC1/4 102JATP	J24245102		1-	A	J1
R 9962	CHIPRES.	1k	1/4W	5%	RMC1/4 102JATP	J24245102		1-	A	J1
R 9963	CHIPRES.	1k	1/4W	5%	RMC1/4 102JATP	J24245102		1-	A	H1
R 9964	CHIPRES.	0	1/16W	5%	RMC1/16 000JATP	J24185000		1-	A	H4
R 9965	CHIPRES.	100k	1/16W	5%	RMC1/16 104JATP	J24185104		1-	A	E3
R 9966	CHIPRES.	100k	1/16W	5%	RMC1/16 104JATP	J24185104		1-	A	E3
R 9967	CHIPRES.	100k	1/16W	5%	RMC1/16 104JATP	J24185104		1-	A	E4
R 9968	CHIPRES.	0	1/16W	5%	RMC1/16 000JATP	J24185000		1-	A	E4
R 9969	CHIPRES.	0	1/16W	5%	RMC1/16 000JATP	J24185000		1-	A	E4
R 9970	CHIPRES.	0	1/16W	5%	RMC1/16 000JATP	J24185000		1-	A	E4
R 9971	CHIPRES.	0	1/16W	5%	RMC1/16 000JATP	J24185000		1-	A	J3
R 9972	CHIPRES.	0	1/16W	5%	RMC1/16 000JATP	J24185000		1-	A	E4
R 9973	CHIPRES.	0	1/16W	5%	RMC1/16 000JATP	J24185000		1-	A	B3
R 9974	CHIPRES.	0	1/16W	5%	RMC1/16 000JATP	J24185000		1-	A	B3
R 9975	CHIPRES.	0	1/16W	5%	RMC1/16 000JATP	J24185000		1-	A	B3
R 9976	CHIPRES.	100k	1/16W	5%	RMC1/16 104JATP	J24185104		1-	A	B3
R 9977	CHIPRES.	100k	1/16W	5%	RMC1/16 104JATP	J24185104		1-	A	B3
R 9978	CHIPRES.	100k	1/16W	5%	RMC1/16 104JATP	J24185104		1-	A	B3
R 9980	CHIPRES.	0	1/16W	5%	RMC1/16 000JATP	J24185000		1-	A	D4
R 9987	CHIPRES.	1k	1/4W	5%	RMC1/4 102JATP	J24245102		1-	A	J1
R 9988	CHIPRES.	0	1/16W	5%	RMC1/16 000JATP	J24185000		1-	A	A4
R 9989	CHIPRES.	1k	1/4W	5%	RMC1/4 102JATP	J24245102		1-	A	F1
R 9990	CHIPRES.	1k	1/4W	5%	RMC1/4 102JATP	J24245102		1-	A	F1
R 9991	CHIPRES.	1k	1/4W	5%	RMC1/4 102JATP	J24245102		1-	A	G1
R 9992	CHIPRES.	1k	1/4W	5%	RMC1/4 102JATP	J24245102		1-	A	G1
R 9993	CHIPRES.	1k	1/4W	5%	RMC1/4 102JATP	J24245102		1-	A	H1
R 9994	CHIPRES.	1k	1/4W	5%	RMC1/4 102JATP	J24245102		1-	A	I1
R 9995	CHIPRES.	1k	1/4W	5%	RMC1/4 102JATP	J24245102		1-	A	E1

# BACK LIGHT Unit (Contest, MP Type)

## Circuit Diagram



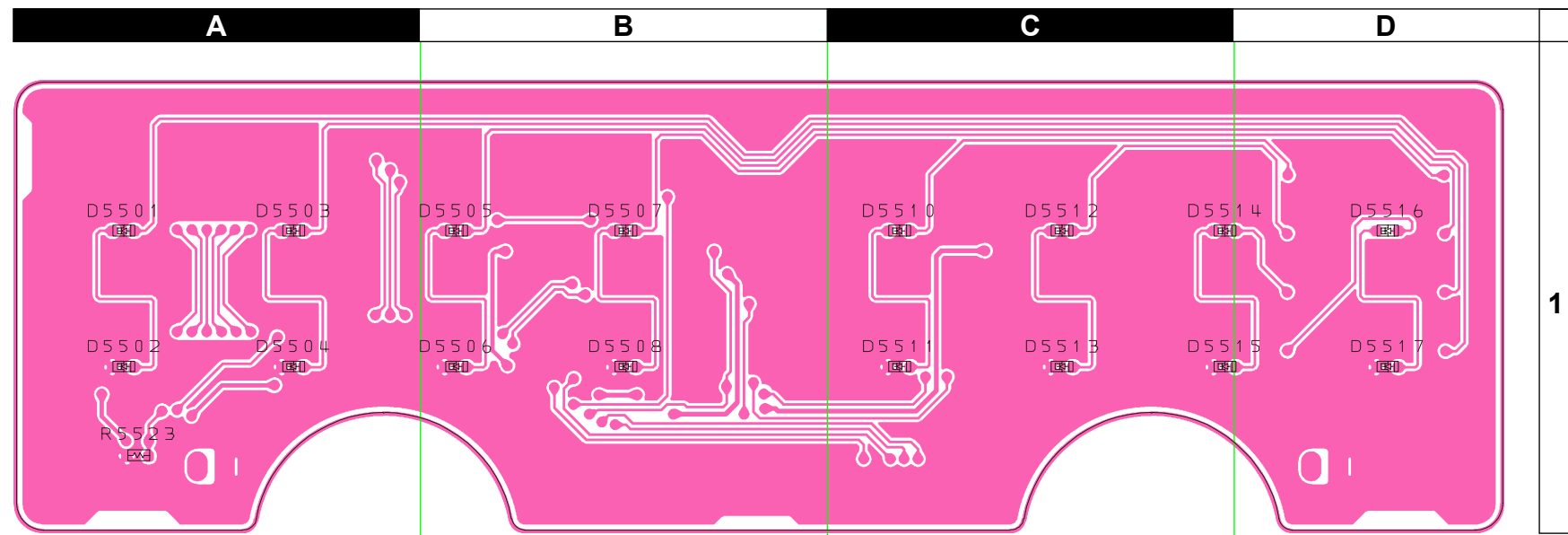


***BACK LIGHT Unit (Contest, MP Type)***

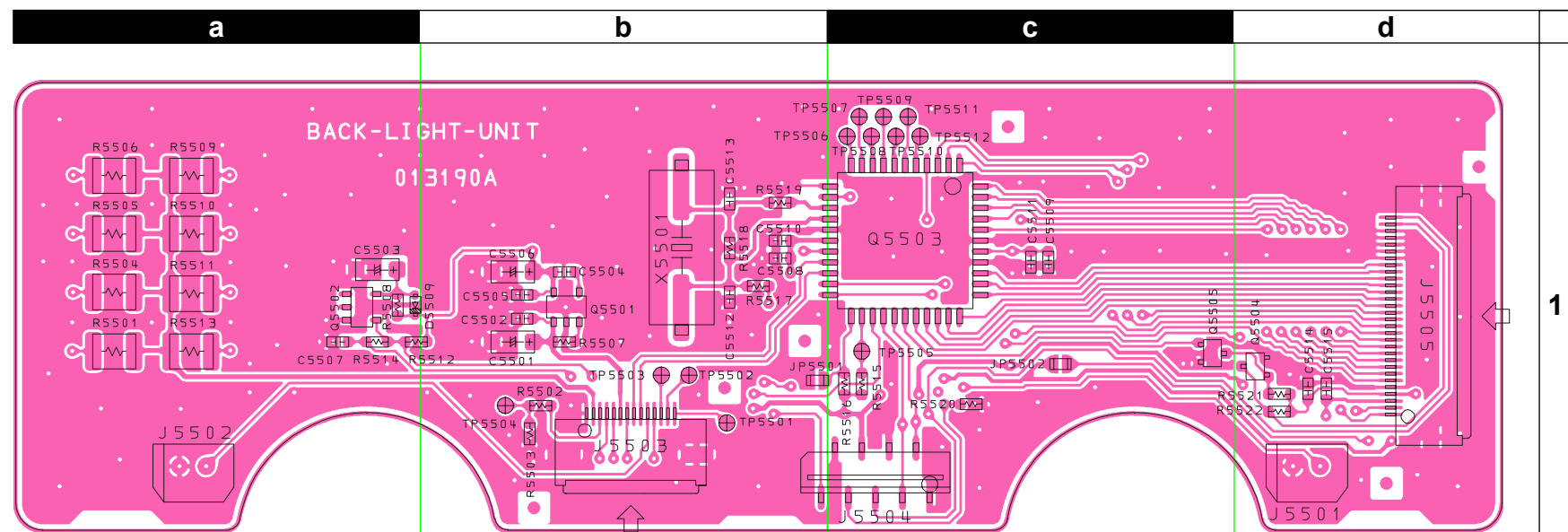
*Note*

# BACK LIGHT Unit (Contest, MP Type)

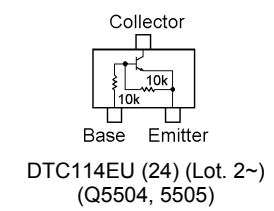
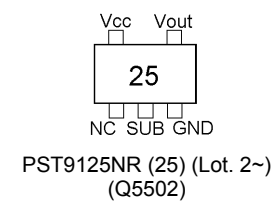
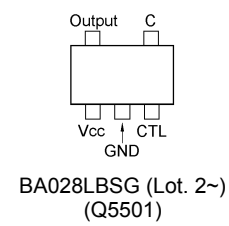
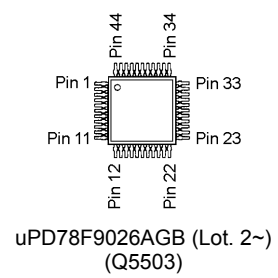
## Parts Layout



Side A



Side B



***BACK LIGHT Unit (Contest, MP Type)***

*Note*

# BACK LIGHT Unit (Contest, MP Type)

## Parts List

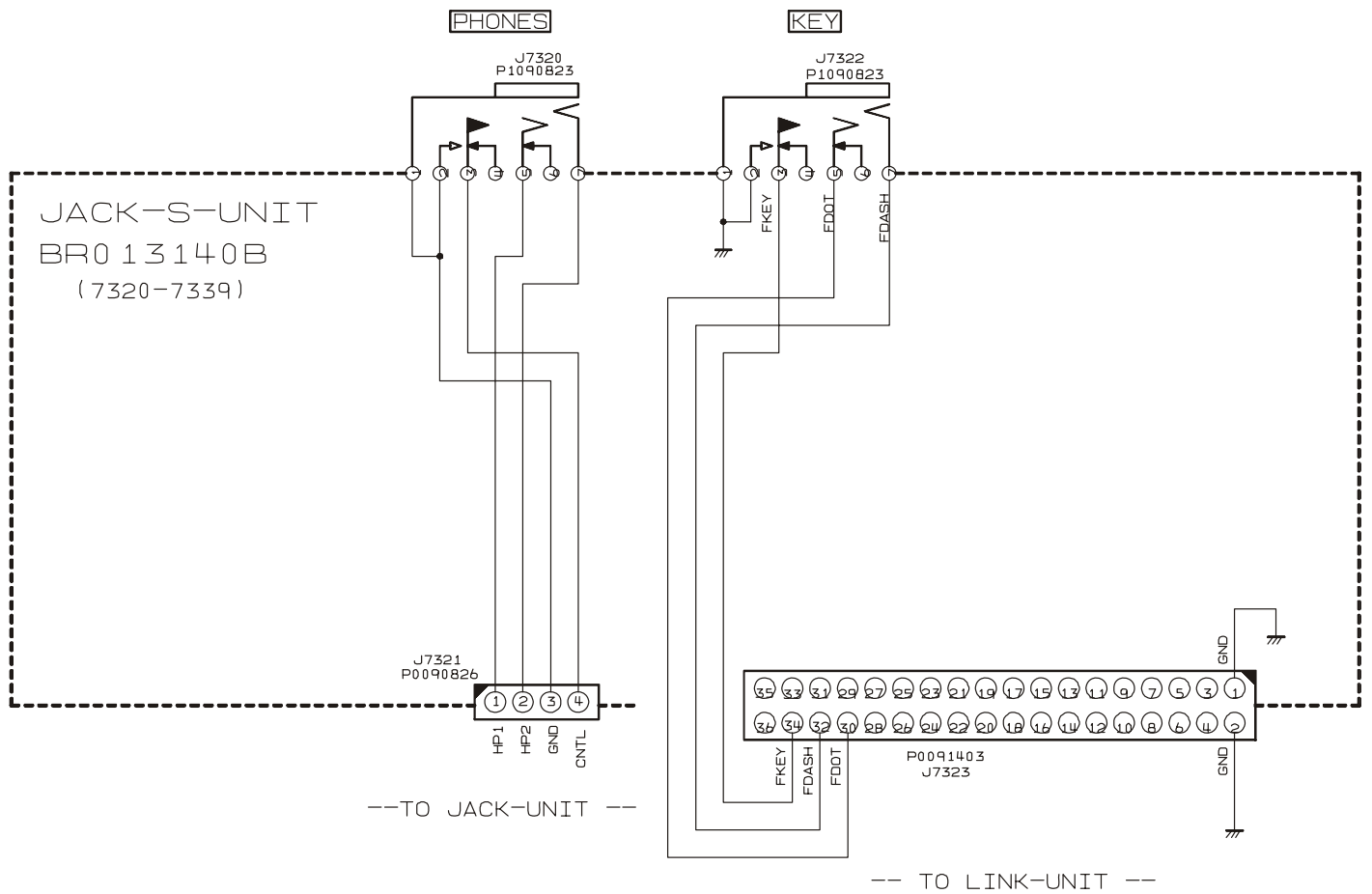
REF	DESCRIPTION	VALUE	V/W	TOL.	MFR'S DESIG	VXSTD P/N	VERS.	LOT	SIDE	LAY ADR
	PCB with Components					CB3095002	COL:UMBE, W/O TFT			
	PCB with Components					CB3095003	COL:BLUE, W/O TFT			
	Printed Circuit Board					FR013190A			2-	
C 5501	CHIP TA.CAP.	1uF	16V		TESVA1C105M1-8R	K78120009			2-	B b1
C 5502	CHIP CAP.	0.001uF	50V	B	GRM188B11H102KA01D	K22174821			2-	B b1
C 5503	CHIP TA.CAP.	1uF	16V		TESVA1C105M1-8R	K78120009			2-	B a1
C 5504	CHIP CAP.	0.01uF	50V	B	GRM188B11H103KA01D	K22174823			2-	B b1
C 5505	CHIP CAP.	0.001uF	50V	B	GRM188B11H102KA01D	K22174821			2-	B b1
C 5506	CHIP TA.CAP.	10uF	6.3V		TEMSVA0J106M-8R	K78080027			2-	B b1
C 5507	CHIP CAP.	0.1uF	16V	B	GRM188B11C104KA01D	K22124805			2-	B a1
C 5508	CHIP CAP.	0.1uF	16V	B	GRM188B11C104KA01D	K22124805			2-	B b1
C 5509	CHIP CAP.	0.1uF	16V	B	GRM188B11C104KA01D	K22124805			2-	B c1
C 5510	CHIP CAP.	0.001uF	50V	B	GRM188B11H102KA01D	K22174821			2-	B b1
C 5511	CHIP CAP.	0.001uF	50V	B	GRM188B11H102KA01D	K22174821			2-	B c1
C 5512	CHIP CAP.	22pF	50V	CH	GRM1882C1H220JA01D	K22174219			2-	B b1
C 5513	CHIP CAP.	22pF	50V	CH	GRM1882C1H220JA01D	K22174219			2-	B b1
C 5514	CHIP CAP.	0.1uF	16V	B	GRM188B11C104KA01D	K22124805			2-	B d1
C 5515	CHIP CAP.	0.1uF	16V	B	GRM188B11C104KA01D	K22124805			2-	B d1
D 5501	LED				UW1141C-TR	G2071010			1-	A A1
D 5502	LED				UW1141C-TR	G2071010			1-	A A1
D 5503	LED				UW1141C-TR	G2071010			1-	A A1
D 5504	LED				UW1141C-TR	G2071010			1-	A A1
D 5505	LED				UW1141C-TR	G2071010			1-	A B1
D 5506	LED				UW1141C-TR	G2071010			1-	A B1
D 5507	LED				UW1141C-TR	G2071010			1-	A B1
D 5508	LED				UW1141C-TR	G2071010			1-	A B1
D 5509	LED				UW1141C-TR	G2071010			1	B a1
D 5509	DIODE				RB521S-30 TE61	G2070642			2-	B a1
D 5510	LED				UW1141C-TR	G2071010			1-	A C1
D 5511	LED				UW1141C-TR	G2071010			1-	A C1
D 5512	LED				UW1141C-TR	G2071010			1-	A C1
D 5513	LED				UW1141C-TR	G2071010			2-	A C1
D 5514	LED				UW1141C-TR	G2071010			2-	A C1
D 5515	LED				UW1141C-TR	G2071010			2-	A C1
D 5516	LED				UW1141C-TR	G2071010			2-	A D1
D 5517	LED				UW1141C-TR	G2071010			2-	A D1
J 5501	CONNECTOR				SB20-02WS	P0090609			2-	B d1
J 5502	CONNECTOR				SB20-02WS	P0090609			2-	B a1
J 5503	CONNECTOR				9637S-14-Y905	P1091184			2-	B b1
J 5504	CONNECTOR				09FMN-BMTTN-TFT	P1091089			2-	B c1
J 5505	CONNECTOR				9637S-30-Y905	P1091169			2-	B d1
JP5501	WIRE ASSY				AH010H	T9207181			1	B b1
Q 5501	IC				BA028LBSG-TR	G1094175			2-	B b1
Q 5502	IC				PST9125NR R59-2263	G1092435			2-	B a1
Q 5503	IC				UPD78F9026AGB-8ES	G1093504			2-	B c1
Q 5504	TRANSISTOR				DTC114EUA T106	G3070084			2-	B d1
Q 5505	TRANSISTOR				DTC114EUA T106	G3070084			2-	B c1
R 5501	CHIP RES.	1k	1/4W	5%	RMC1/4 102JATP	J24245102			1-	B a1
R 5502	CHIP RES.	1k	1/4W	5%	RMC1/4 102JATP	J24245102			1	B b1
R 5503	CHIP RES.	1k	1/4W	5%	RMC1/4 102JATP	J24245102			1	B b1
R 5504	CHIP RES.	1k	1/4W	5%	RMC1/4 102JATP	J24245102			1-	B a1
R 5505	CHIP RES.	1k	1/4W	5%	RMC1/4 102JATP	J24245102			2-	B a1
R 5506	CHIP RES.	1k	1/4W	5%	RMC1/4 102JATP	J24245102			2-	B a1
R 5507	CHIP RES.	47k	1/16W	5%	RMC1/16 473JATP	J24185473			2-	B b1
R 5508	CHIP RES.	4.7k	1/16W	5%	RMC1/16 472JATP	J24185472			2-	B a1
R 5509	CHIP RES.	1k	1/4W	5%	RMC1/4 102JATP	J24245102			2-	B a1
R 5510	CHIP RES.	1k	1/4W	5%	RMC1/4 102JATP	J24245102			2-	B a1
R 5511	CHIP RES.	1k	1/4W	5%	RMC1/4 102JATP	J24245102			2-	B a1
R 5512	CHIP RES.	4.7k	1/16W	5%	RMC1/16 472JATP	J24185472			2-	B a1
R 5513	CHIP RES.	1k	1/4W	5%	RMC1/4 102JATP	J24245102			2-	B a1
R 5514	CHIP RES.	47k	1/16W	5%	RMC1/16 473JATP	J24185473			2-	B a1
R 5515	CHIP RES.	47k	1/16W	5%	RMC1/16 473JATP	J24185473			2-	B c1
R 5516	CHIP RES.	47k	1/16W	5%	RMC1/16 473JATP	J24185473			2-	B c1
R 5517	CHIP RES.	1k	1/16W	5%	RMC1/16 102JATP	J24185102			2-	B b1
R 5519	CHIP RES.	100	1/16W	5%	RMC1/16 101JATP	J24185101			2-	B b1
R 5520	CHIP RES.	10k	1/16W	5%	RMC1/16 103JATP	J24185103			2-	B c1
R 5521	CHIP RES.	10k	1/16W	5%	RMC1/16 103JATP	J24185103			2-	B d1
R 5522	CHIP RES.	10k	1/16W	5%	RMC1/16 103JATP	J24185103			2-	B d1
R 5523	CHIP RES.	47k	1/16W	5%	RMC1/16 473JATP	J24185473			2-	A A1
X 5501	XTAL XJCGGC	4.9152MHz			4.9152MHZ	H0103310			2-	B b1

# *BACK LIGHT Unit (Contest, MP Type)*

*Note*

# JACK-S Unit (Contest Type)

## Circuit Diagram

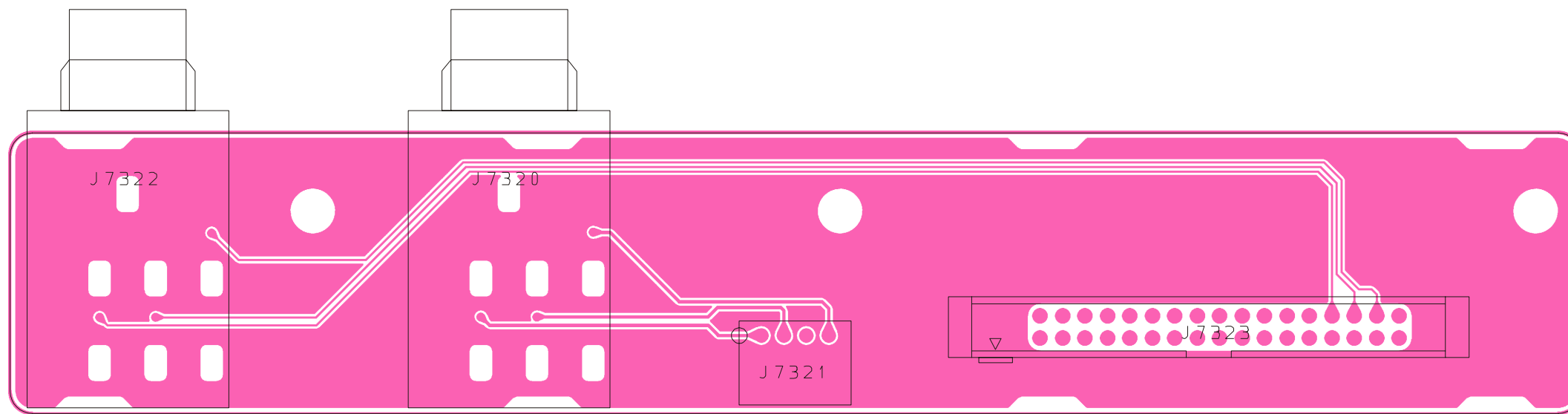


# *JACK-S Unit (Contest Type)*

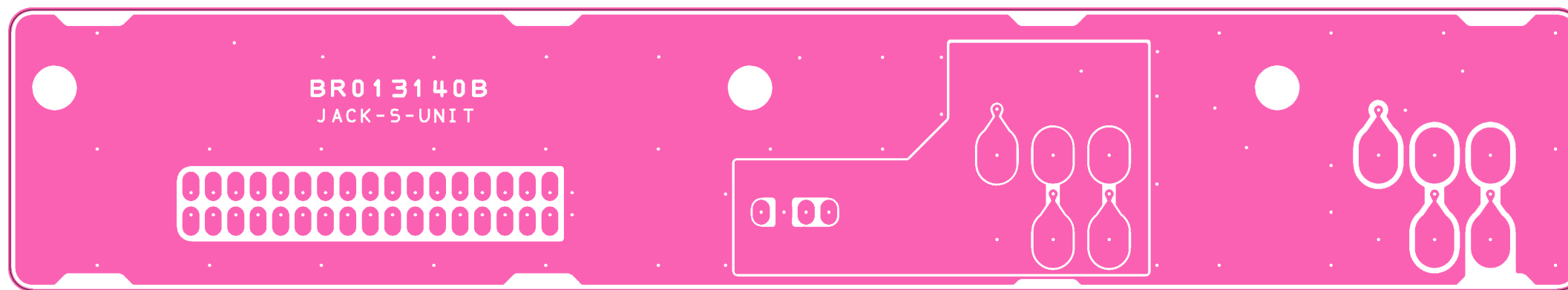
*Note*

# JACK-S Unit (Contest Type)

## Parts Layout



Side A



Side B



## *JACK-S Unit (Contest Type)*

*Note*

# JACK-S Unit (Contest Type)

## Parts List

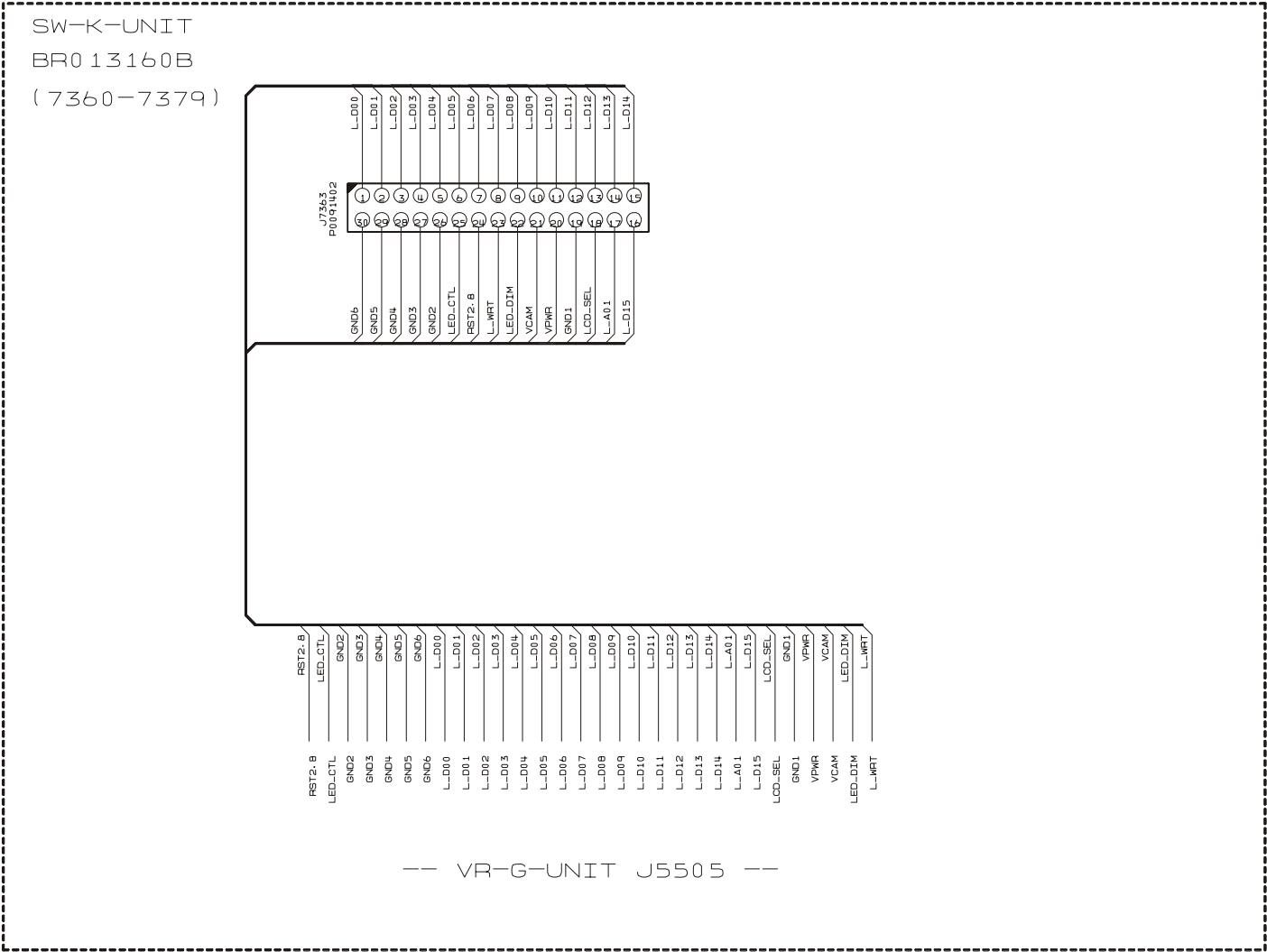
REF	DESCRIPTION	VALUE	V/W	TOL.	MFR'S DESIG	VXSTD P/N	VERS.	LOT	SIDE	LAY ADR
	PCB with Components					CB3111001				
	Printed Circuit Board					FR013140B			2-	
J 7320	CONNECTOR				HLJ2305-01-3060-01	P1090823			1-	
J 7321	CONNECTOR				SB20-04WL	P0090826			1-	
J 7322	CONNECTOR				HLJ2305-01-3060-01	P1090823			1-	
J 7323	CONNECTOR				LPC-B36M2G	P0091403			2-	

# *JACK-S Unit (Contest Type)*

*Note*

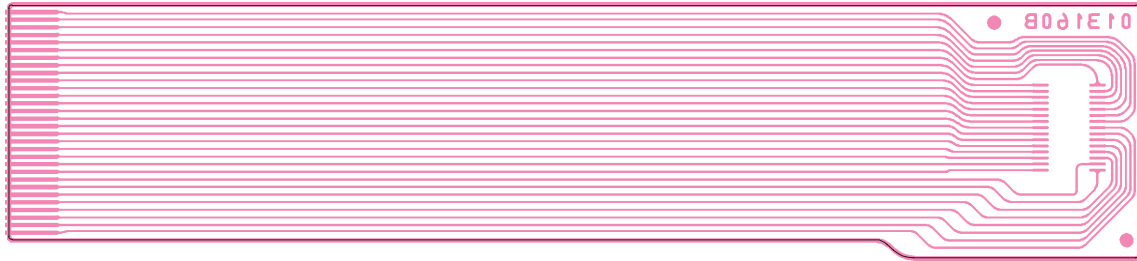
# SW-K Unit (Contest, MP Type)

## Circuit Diagram

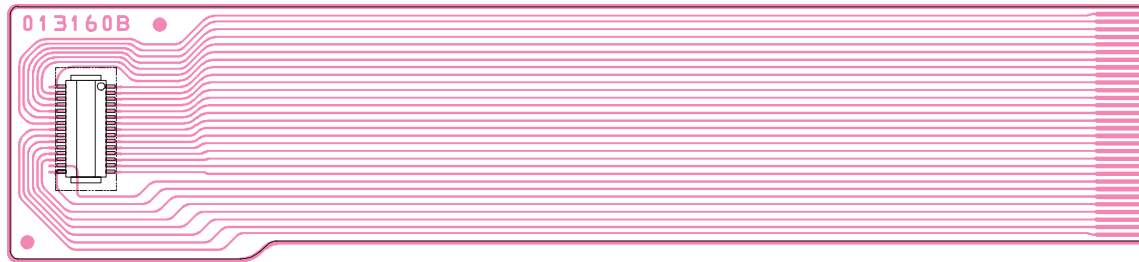


# SW-K Unit (Contest, MP Type)

## Parts Layout



Side A



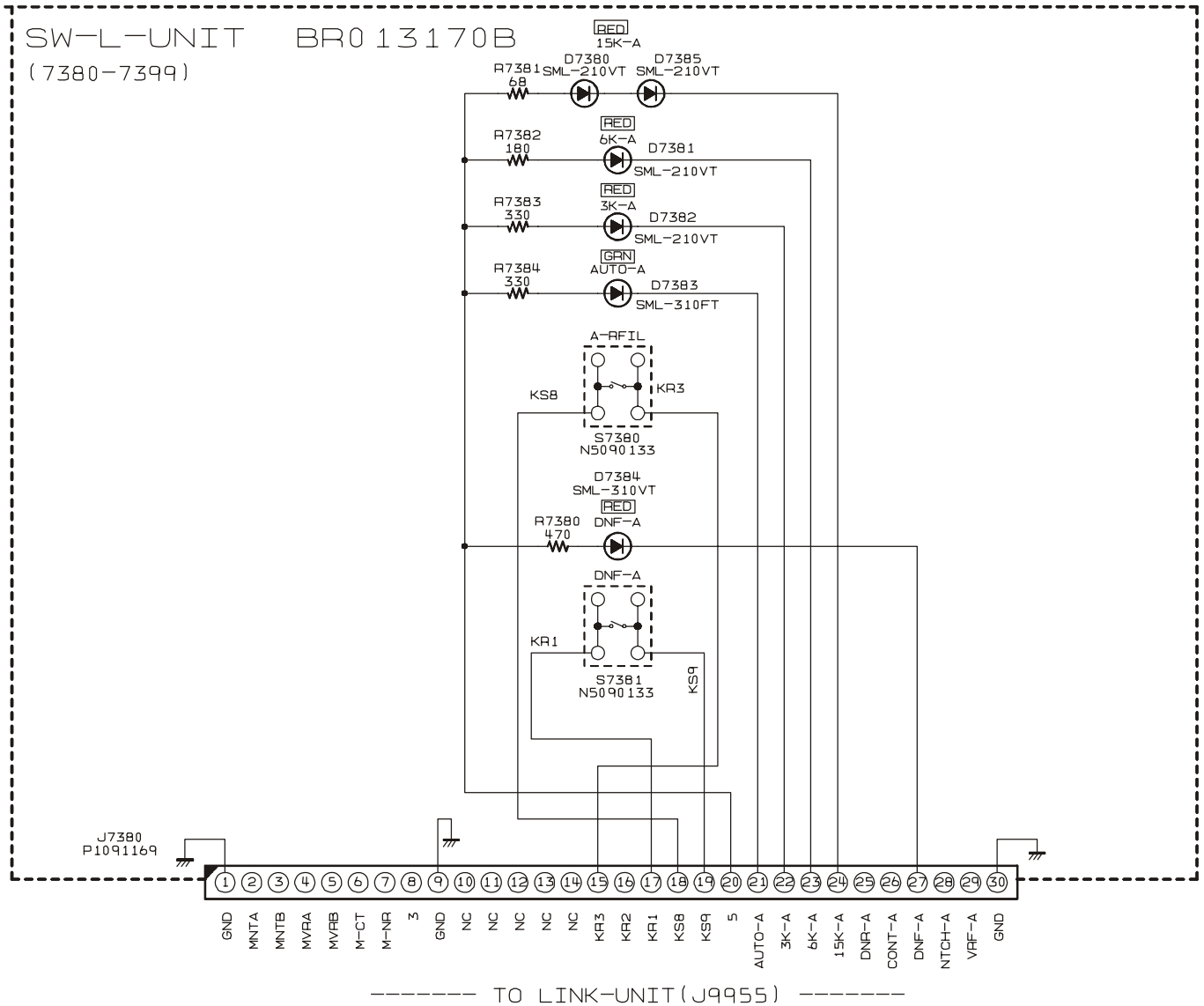
Side B

## Parts List

REF	DESCRIPTION	VALUE	V/W	TOL.	MFR'S DESIG	VXSTD P/N	VERS.	LOT	SIDE	LAY ADR
	PCB with Components (W/CONNECTOR)					FR013160B	W/O TFT	2-		
J 7361	CONNECTOR				145602030001829	P0091402		1-		

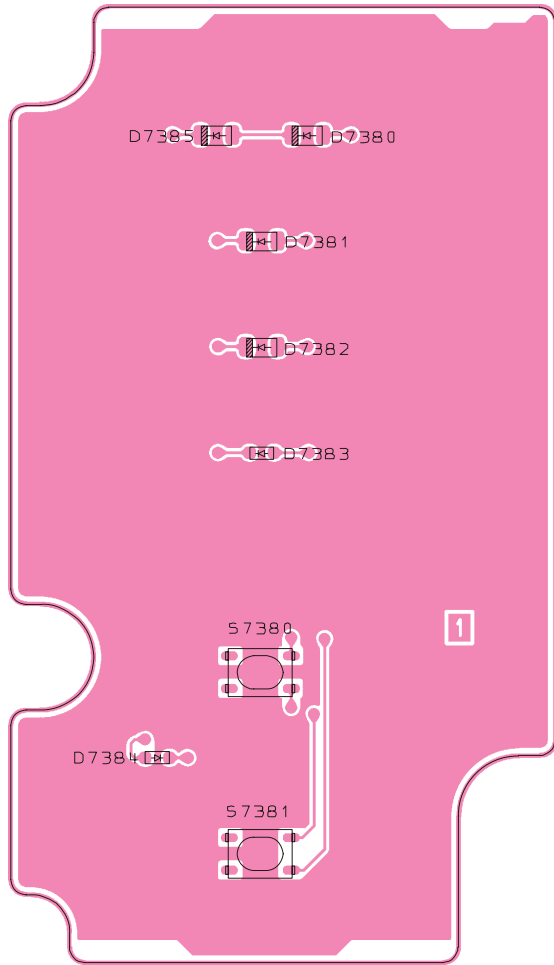
# SW-L Unit (Contest, MP Type)

## Circuit Diagram

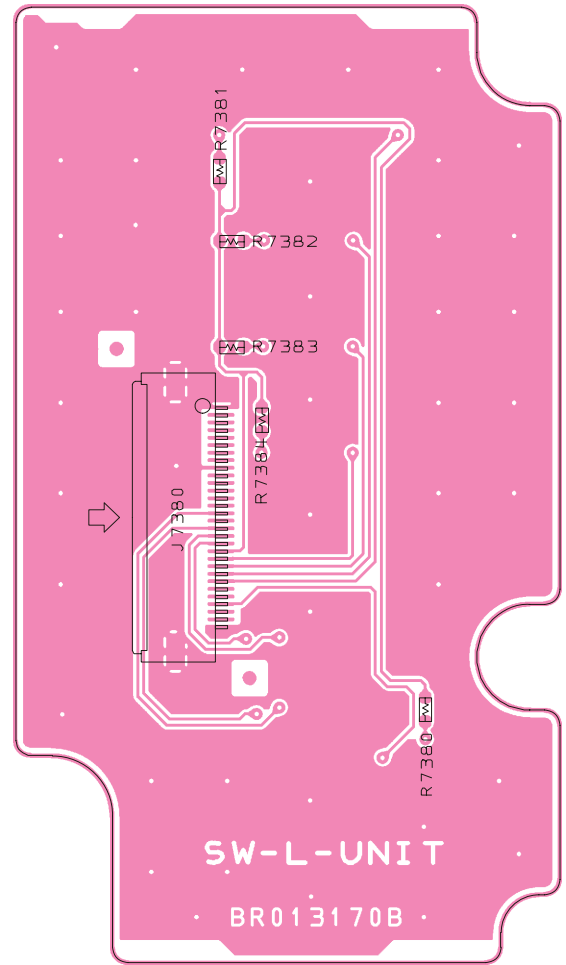


# SW-L Unit (Contest, MP Type)

## Parts Layout



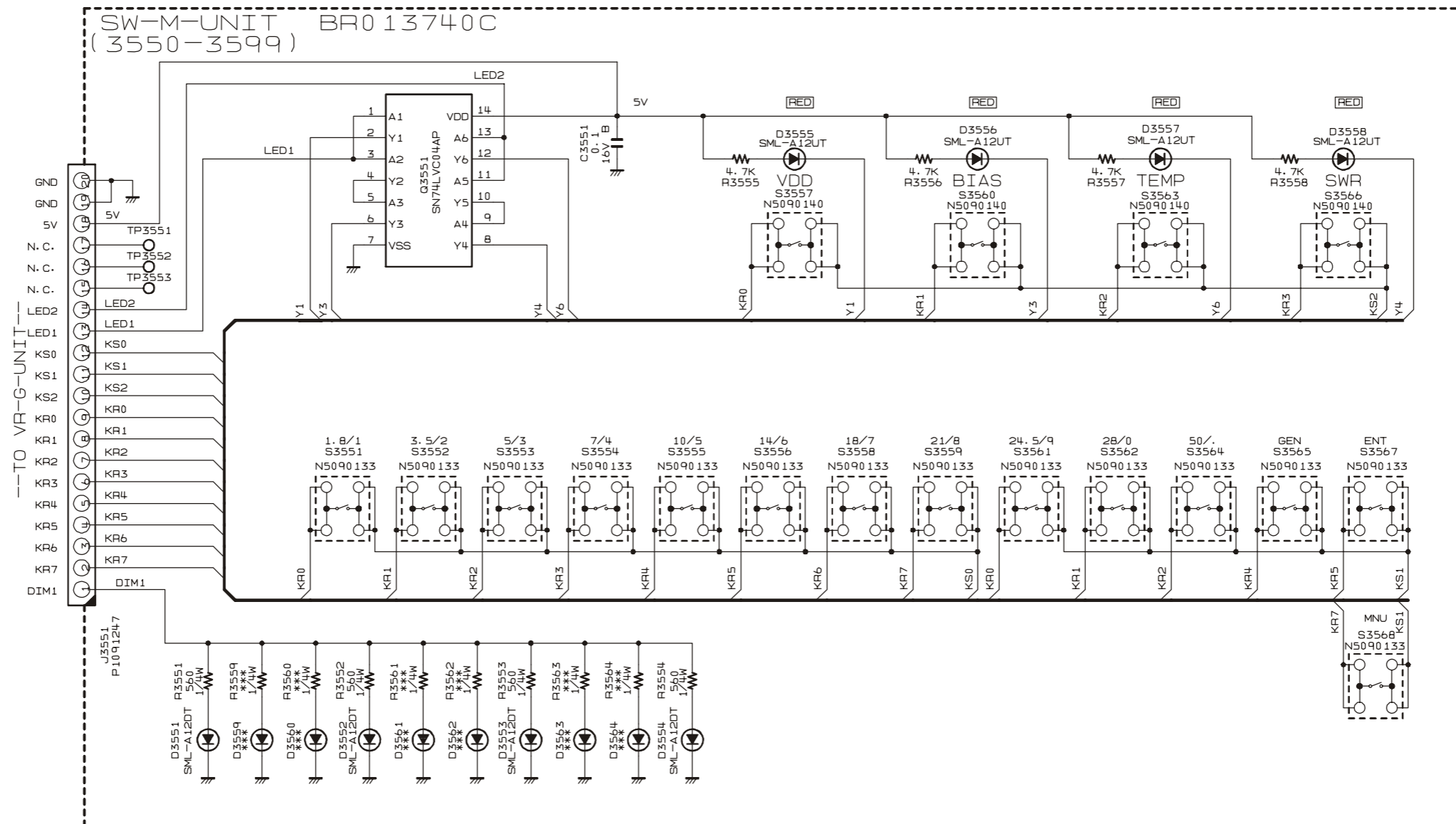
Side A



Side B

## Parts List

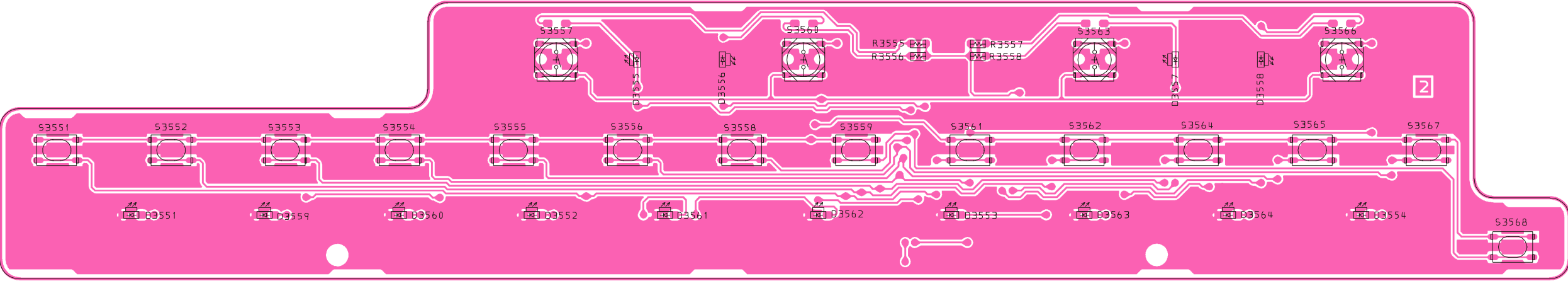
REF	DESCRIPTION	VALUE	V/W	TOL.	MFR'S DESIG	VXSTD P/N	VERS.	LOT	SIDE	LAY ADR
PCB with Components						CB3114001				
Printed Circuit Board						FR013170B		2-		
D 7380	LED				SML-310VTT86JK	G2071032		1	A	
D 7380	LED				SML-210VTT86	G2070768		2-	A	
D 7381	LED				SML-310VTT86JK	G2071032		1	A	
D 7381	LED				SML-210VTT86	G2070768		2-	A	
D 7382	LED				SML-310VTT86JK	G2071032		1	A	
D 7382	LED				SML-210VTT86	G2070768		2-	A	
D 7383	LED				SML-310FTT86KL	G2071026		1	A	
D 7383	LED				SML-310FTT86KL	G2071026		2-	A	
D 7384	LED				SML-310VTT86JK	G2071032		1-	A	
D 7385	LED				SML-210VTT86	G2070768		2-	A	
J 7380	CONNECTOR				9637S-30-Y905	P1091169		1-	B	
R 7380	CHIP RES.	470	1/16W	5%	RMC1/16 471JATP	J24185471		1-	B	
R 7381	CHIP RES.	470	1/16W	5%	RMC1/16 471JATP	J24185471		1	B	
R 7381	CHIP RES.	68	1/16W	5%	RMC1/16 680JATP	J24185680		2-	B	
R 7382	CHIP RES.	470	1/16W	5%	RMC1/16 471JATP	J24185471		1	B	
R 7382	CHIP RES.	180	1/16W	5%	RMC1/16 181JATP	J24185181		2-	B	
R 7383	CHIP RES.	470	1/16W	5%	RMC1/16 471JATP	J24185471		1	B	
R 7383	CHIP RES.	330	1/16W	5%	RMC1/16 331JATP	J24185331		2-	B	
R 7384	CHIP RES.	270	1/16W	5%	RMC1/16 271JATP	J24185271		1	B	
R 7384	CHIP RES.	330	1/16W	5%	RMC1/16 331JATP	J24185331		2-	B	
S 7380	TACT SWITCH				SKRPABE010	N5090133		1-	A	
S 7381	TACT SWITCH				SKRPABE010	N5090133		1-	A	



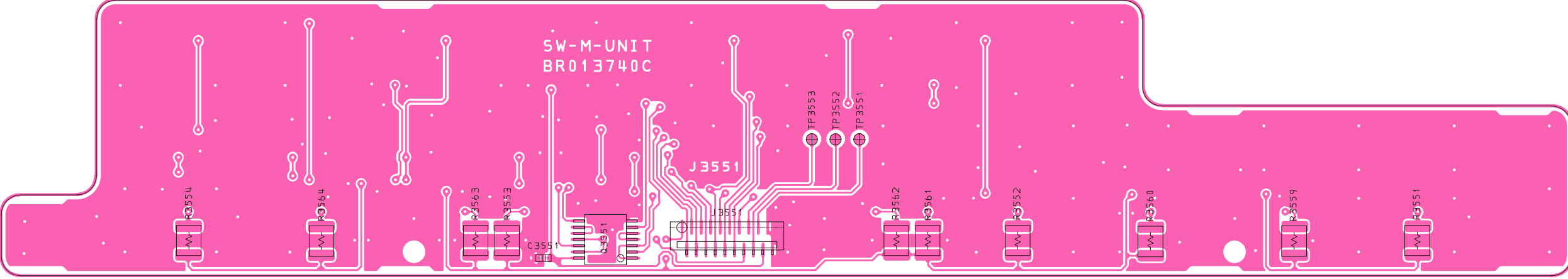


SW-M Unit (Contest, MP Type)

Parts Layout



Side A



Side B

# SW-M Unit (Contest, MP Type)

## Parts List

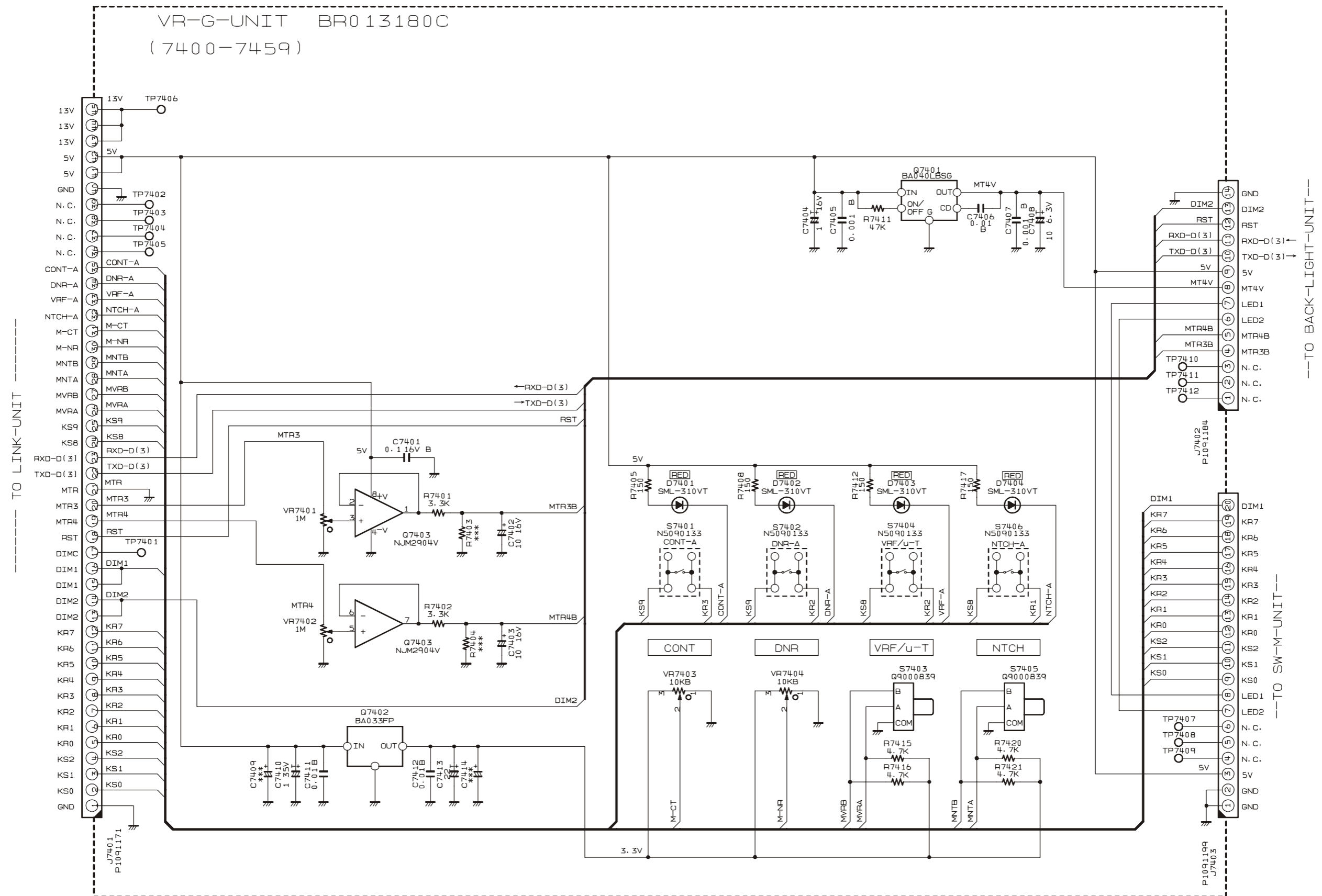
REF	DESCRIPTION	VALUE	V/W	TOL.	MFR'S DESIG	VXSTD P/N	VERS.	LOT	SIDE	LAY ADR
PCB with Components						CB3257001				
Printed Circuit Board						FR013740C		2-		
C 3551	CHIP CAP.	0.1uF	16V	B	GRM188B11C104KA01D	K22124805		1-	B	
D 3551	LED				SML-A12UTT86	G2071080		1-	A	
D 3551	LED				SML-A12DTT86	G2071082		2-	A	
D 3552	LED				SML-A12UTT86	G2071080		1-	A	
D 3552	LED				SML-A12DTT86	G2071082		2-	A	
D 3553	LED				SML-A12UTT86	G2071080		1-	A	
D 3553	LED				SML-A12DTT86	G2071082		2-	A	
D 3554	LED				SML-A12UTT86	G2071080		1-	A	
D 3554	LED				SML-A12DTT86	G2071082		2-	A	
D 3555	LED				SML-A12DTT86	G2071082		1-	A	
D 3555	LED				SML-A12UTT86	G2071080		2-	A	
D 3556	LED				SML-A12DTT86	G2071082		1-	A	
D 3556	LED				SML-A12UTT86	G2071080		2-	A	
D 3557	LED				SML-A12DTT86	G2071082		1-	A	
D 3557	LED				SML-A12UTT86	G2071080		2-	A	
D 3558	LED				SML-A12DTT86	G2071082		1-	A	
D 3558	LED				SML-A12UTT86	G2071080		2-	A	
J 3551	CONNECTOR				20FLT-SM2-TB(LF)(SN)	P1091247		1-	B	
Q 3551	IC				SN74LVC04APWR	G1094177		1-	B	
R 3551	CHIP RES.	270	1/4W	5%	RMC1/4 271JATP	J24245271		1-	B	
R 3551	CHIP RES.	560	1/4W	5%	RMC1/4 561JATP	J24245561		2-	B	
R 3552	CHIP RES.	270	1/4W	5%	RMC1/4 271JATP	J24245271		1-	B	
R 3552	CHIP RES.	560	1/4W	5%	RMC1/4 561JATP	J24245561		2-	B	
R 3553	CHIP RES.	270	1/4W	5%	RMC1/4 271JATP	J24245271		1-	B	
R 3553	CHIP RES.	560	1/4W	5%	RMC1/4 561JATP	J24245561		2-	B	
R 3554	CHIP RES.	270	1/4W	5%	RMC1/4 271JATP	J24245271		1-	B	
R 3554	CHIP RES.	560	1/4W	5%	RMC1/4 561JATP	J24245561		2-	B	
R 3555	CHIP RES.	330	1/16W	5%	RMC1/16 331JATP	J24185331		1-	A	
R 3555	CHIP RES.	1.5k	1/16W	5%	RMC1/16 152JATP	J24185152		2-	A	
R 3555	CHIP RES.	4.7k	1/16W	5%	RMC1/16 472JATP	J24185472		4-	A	
R 3556	CHIP RES.	330	1/16W	5%	RMC1/16 331JATP	J24185331		1-	A	
R 3556	CHIP RES.	1.5k	1/16W	5%	RMC1/16 152JATP	J24185152		2-	A	
R 3556	CHIP RES.	4.7k	1/16W	5%	RMC1/16 472JATP	J24185472		4-	A	
R 3557	CHIP RES.	330	1/16W	5%	RMC1/16 331JATP	J24185331		1-	A	
R 3557	CHIP RES.	1.5k	1/16W	5%	RMC1/16 152JATP	J24185152		2-	A	
R 3557	CHIP RES.	4.7k	1/16W	5%	RMC1/16 472JATP	J24185472		4-	A	
R 3558	CHIP RES.	330	1/16W	5%	RMC1/16 331JATP	J24185331		1-	A	
R 3558	CHIP RES.	1.5k	1/16W	5%	RMC1/16 152JATP	J24185152		2-	A	
R 3558	CHIP RES.	4.7k	1/16W	5%	RMC1/16 472JATP	J24185472		4-	A	
S 3551	TACT SWITCH				SKRPABE010	N5090133		1-	A	
S 3552	TACT SWITCH				SKRPABE010	N5090133		1-	A	
S 3553	TACT SWITCH				SKRPABE010	N5090133		1-	A	
S 3554	TACT SWITCH				SKRPABE010	N5090133		1-	A	
S 3555	TACT SWITCH				SKRPABE010	N5090133		1-	A	
S 3556	TACT SWITCH				SKRPABE010	N5090133		1-	A	
S 3557	TACT SWITCH				SKRMAAE010	N5090140		1-	A	
S 3558	TACT SWITCH				SKRPABE010	N5090133		1-	A	
S 3559	TACT SWITCH				SKRPABE010	N5090133		1-	A	
S 3560	TACT SWITCH				SKRMAAE010	N5090140		1-	A	
S 3561	TACT SWITCH				SKRPABE010	N5090133		1-	A	
S 3562	TACT SWITCH				SKRPABE010	N5090133		1-	A	
S 3563	TACT SWITCH				SKRMAAE010	N5090140		1-	A	
S 3564	TACT SWITCH				SKRPABE010	N5090133		1-	A	
S 3565	TACT SWITCH				SKRPABE010	N5090133		1-	A	
S 3566	TACT SWITCH				SKRMAAE010	N5090140		1-	A	
S 3567	TACT SWITCH				SKRPABE010	N5090133		1-	A	
S 3568	TACT SWITCH				SKRPABE010	N5090133		1-	A	

## *SW-M Unit (Contest, MP Type)*

*Note*

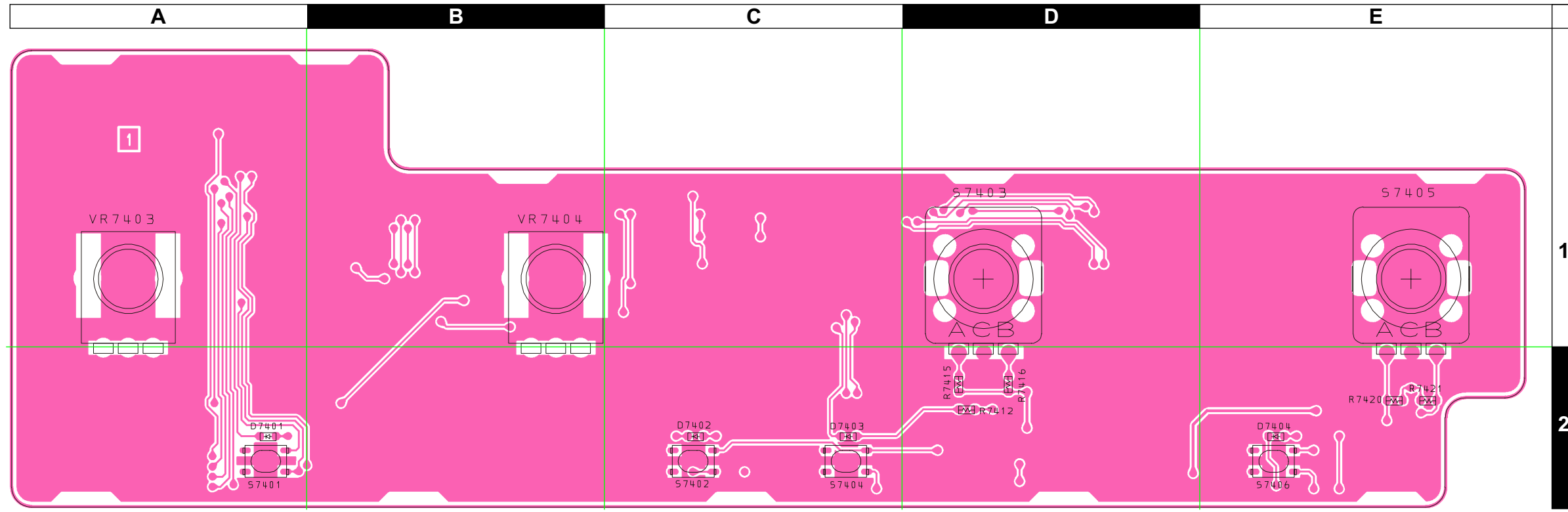
# VR-G Unit (Contest, MP Type)

## Circuit Diagram

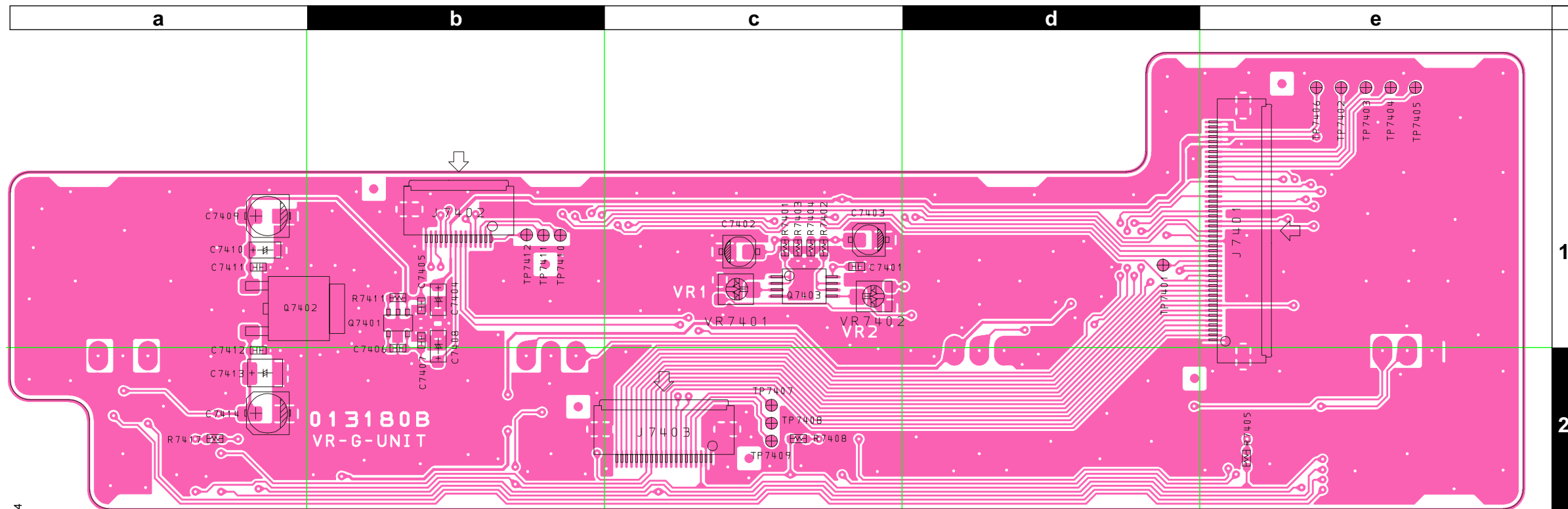


# VR-G Unit (Contest, MP Type)

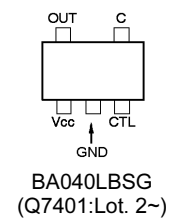
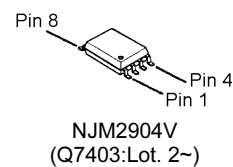
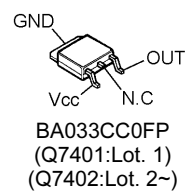
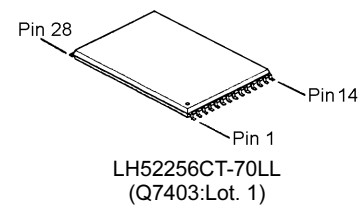
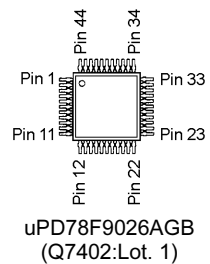
## Parts Layout



Side A



Side B



# VR-G Unit

## Parts List

REF	DESCRIPTION	VALUE	V/W	TOL.	MFR'S DESIG	VXSTD P/N	VERS.	LOT	SIDE	LAY ADR
PCB with Components						CB3115001				
Printed Circuit Board						FR013180B		2-		
C 7401	CHIP CAP.	0.1uF	16V	B	GRM188B11C104KA01D	K22124805		1-	B	c1
C 7402	CHIP CAP.	0.1uF	16V	B	GRM188B11C104KA01D	K22124805		1	B	c1
C 7402	AL.ELECTRO.CAP.	10uF	16V		RV2-16V100MB55U-R	K48120014		2-	B	c1
C 7403	CHIP CAP.	0.1uF	16V	B	GRM188B11C104KA01D	K22124805		1	B	c1
C 7403	AL.ELECTRO.CAP.	10uF	16V		RV2-16V100MB55U-R	K48120014		2-	B	c1
C 7404	CHIP CAP.	0.001uF	50V	B	GRM188B11H102KA01D	K22174821		1	B	b1
C 7404	CHIP TA.CAP.	1uF	16V		TEESVA1C105M8R	K78120009		2-	B	b1
C 7405	CHIP CAP.	0.1uF	16V	B	GRM188B11C104KA01D	K22124805		1	B	b1
C 7405	CHIP CAP.	0.001uF	50V	B	GRM188B11H102KA01D	K22174821		2-	B	b1
C 7406	CHIP CAP.	0.001uF	50V	B	GRM188B11H102KA01D	K22174821		1	B	b1
C 7406	CHIP CAP.	0.01uF	50V	B	GRM188B11H103KA01D	K22174823		2-	B	b1
C 7407	CHIP CAP.	0.1uF	16V	B	GRM188B11C104KA01D	K22124805		1	B	b1
C 7407	CHIP CAP.	0.001uF	50V	B	GRM188B11H102KA01D	K22174821		2-	B	b1
C 7408	CHIP CAP.	10pF	50V	CH	GRM1882C1H100JA01D	K22174211		1	B	b1
C 7408	CHIP TA.CAP.	10uF	6.3V		TEESVA0J106M8R	K78080027		2-	B	b1
C 7409	CHIP CAP.	10pF	50V	CH	GRM1882C1H100JA01D	K22174211		1	B	a1
C 7410	CHIP CAP.	0.1uF	16V	B	GRM188B11C104KA01D	K22124805		1	B	a1
C 7410	CHIP TA.CAP.	1uF	35V		TEESVA1V105M8R	K78160032		2-	B	a1
C 7411	CHIP CAP.	0.01uF	50V	B	GRM188B11H103KA01D	K22174823		2-	B	a1
C 7412	CHIP CAP.	0.01uF	50V	B	GRM188B11H103KA01D	K22174823		2-	B	a2
C 7413	CHIP TA.CAP.	22uF			TPSB226M016Y0600	K78120075		2-	B	a2
D 7401	LED				TLOU262(F)	G2090763		1	A	A2
D 7401	LED				SML-310VTT86JK	G2071032		2-	A	A2
D 7402	LED				TLOU262(F)	G2090763		1	A	C2
D 7402	LED				SML-310VTT86JK	G2071032		2-	A	C2
D 7403	LED				TLOU262(F)	G2090763		1	A	C2
D 7403	LED				SML-310VTT86JK	G2071032		2-	A	C2
D 7404	LED				SML-310VTT86JK	G2071032		1-	A	E2
D 7405	LED				SML-310VTT86JK	G2071032		1		
D 7406	LED				SML-310VTT86JK	G2071032		1		
D 7407	LED				SML-310VTT86JK	G2071032		1		
J 7401	CONNECTOR				9637S-45-Y905	P1091171		1-	B	e1
J 7402	CONNECTOR				SB20-02WS	P0090609		1	B	b1
J 7402	CONNECTOR				9637S-14-Y905	P1091184		2-	B	b1
J 7403	CONNECTOR				SB20-02WS	P0090609		1	B	c2
J 7403	CONNECTOR				9637S-20-Y905	P1091199		2-	B	c2
J 7404	CONNECTOR				SB20-02WS	P0090609		1		
J 7405	CONNECTOR				09FMN-BMTTN-TFT(LF)(SN)	P1091089		1		
J 7406	CONNECTOR				9637S-45-Y905	P1091171		1		
Q 7401	IC				BA033CC0FP-E2	G1094077		1	B	b1
Q 7401	IC				BA040LBSG-TR	G1094176		2-	B	b1
Q 7402	IC				UPD78F9026AGB-8ES	G1093504		1	B	a1
Q 7402	IC				BA033CC0FP-E2	G1094077		2-	B	a1
Q 7403	IC				LH52256CT-70LL	G1093162		1	B	c1
Q 7403	IC				NJM2904V-TE1	G1091677		2-	B	c1
R 7401	CHIPRES.	0	1/16W	5%	RMC1/16 000JATP	J24185000		1	B	c1
R 7401	CHIPRES.	3.3k	1/16W	5%	RMC1/16 332JATP	J24185332		2-	B	c1
R 7402	CHIPRES.	10k	1/16W	5%	RMC1/16 103JATP	J24185103		1	B	c1
R 7402	CHIPRES.	3.3k	1/16W	5%	RMC1/16 332JATP	J24185332		2-	B	c1
R 7403	CHIPRES.	3.3k	1/16W	5%	RMC1/16 332JATP	J24185332		1	B	c1
R 7404	CHIPRES.	0	1/16W	5%	RMC1/16 000JATP	J24185000		1	B	c1
R 7405	CHIPRES.	10k	1/16W	5%	RMC1/16 103JATP	J24185103		1	B	e2
R 7405	CHIPRES.	150	1/16W	5%	RMC1/16 151JATP	J24185151		2-	B	e2
R 7406	CHIPRES.	0	1/16W	5%	RMC1/16 000JATP	J24185000		1		
R 7407	CHIPRES.	680	1/4W	5%	RMC1/4 681JATP	J24245681		1		
R 7408	CHIPRES.	680	1/4W	5%	RMC1/4 681JATP	J24245681		1	B	c2
R 7408	CHIPRES.	150	1/16W	5%	RMC1/16 151JATP	J24185151		2-	B	c2
R 7409	CHIPRES.	680	1/4W	5%	RMC1/4 681JATP	J24245681		1		
R 7410	CHIPRES.	10k	1/16W	5%	RMC1/16 103JATP	J24185103		1		
R 7411	CHIPRES.	3.3k	1/16W	5%	RMC1/16 332JATP	J24185332		1	B	b1
R 7411	CHIPRES.	47k	1/16W	5%	RMC1/16 473JATP	J24185473		2-	B	b1
R 7412	CHIPRES.	3.3k	1/16W	5%	RMC1/16 332JATP	J24185332		1	A	D2
R 7412	CHIPRES.	150	1/16W	5%	RMC1/16 151JATP	J24185151		2-	A	D2
R 7414	CHIPRES.	0	1/16W	5%	RMC1/16 000JATP	J24185000		1		
R 7415	CHIPRES.	0	1/16W	5%	RMC1/16 000JATP	J24185000		1	A	D2
R 7415	CHIPRES.	4.7k	1/16W	5%	RMC1/16 472JATP	J24185472		2-	A	D2
R 7416	CHIPRES.	1k	1/16W	5%	RMC1/16 102JATP	J24185102		1	A	D2
R 7416	CHIPRES.	4.7k	1/16W	5%	RMC1/16 472JATP	J24185472		2-	A	D2
R 7417	CHIPRES.	150	1/16W	5%	RMC1/16 151JATP	J24185151		2-	B	a2
R 7418	CHIPRES.	100	1/16W	5%	RMC1/16 101JATP	J24185101		1		
R 7420	CHIPRES.	10k	1/16W	5%	RMC1/16 103JATP	J24185103		1	A	E2

# VR-G Unit

## Parts List

REF	DESCRIPTION	VALUE	V/W	TOL.	MFR'S DESIG	VXSTD P/N	VERS.	LOT	SIDE	LAY ADR
R 7420	CHIPRES.	4.7k	1/16W	5%	RMC1/16 472JATP	J24185472		2-	A	E2
R 7421	CHIPRES.	4.7k	1/16W	5%	RMC1/16 472JATP	J24185472		1-	A	E2
R 7422	CHIPRES.	4.7k	1/16W	5%	RMC1/16 472JATP	J24185472		1		
R 7423	CHIPRES.	4.7k	1/16W	5%	RMC1/16 472JATP	J24185472		1		
R 7424	CHIPRES.	4.7k	1/16W	5%	RMC1/16 472JATP	J24185472		1		
R 7425	CHIPRES.	0	1/16W	5%	RMC1/16 000JATP	J24185000		1		
R 7426	CHIPRES.	0	1/16W	5%	RMC1/16 000JATP	J24185000		1		
R 7427	CHIPRES.	0	1/16W	5%	RMC1/16 000JATP	J24185000		1		
R 7428	CHIPRES.	0	1/16W	5%	RMC1/16 000JATP	J24185000		1		
R 7429	CHIPRES.	0	1/16W	5%	RMC1/16 000JATP	J24185000		1		
R 7430	CHIPRES.	0	1/16W	5%	RMC1/16 000JATP	J24185000		1		
R 7431	CHIPRES.	0	1/16W	5%	RMC1/16 000JATP	J24185000		1		
R 7432	CHIPRES.	0	1/16W	5%	RMC1/16 000JATP	J24185000		1		
R 7433	CHIPRES.	0	1/16W	5%	RMC1/16 000JATP	J24185000		1		
R 7434	CHIPRES.	0	1/16W	5%	RMC1/16 000JATP	J24185000		1		
R 7435	CHIPRES.	0	1/16W	5%	RMC1/16 000JATP	J24185000		1		
R 7436	CHIPRES.	0	1/16W	5%	RMC1/16 000JATP	J24185000		1		
R 7437	CHIPRES.	470	1/16W	5%	RMC1/16 471JATP	J24185471		1		
R 7438	CHIPRES.	470	1/16W	5%	RMC1/16 471JATP	J24185471		1		
R 7439	CHIPRES.	470	1/16W	5%	RMC1/16 471JATP	J24185471		1		
R 7440	CHIPRES.	470	1/16W	5%	RMC1/16 471JATP	J24185471		1		
R 7441	CHIPRES.	0	1/16W	5%	RMC1/16 000JATP	J24185000		1		
R 7442	CHIPRES.	0	1/16W	5%	RMC1/16 000JATP	J24185000		1		
R 7443	CHIPRES.	0	1/16W	5%	RMC1/16 000JATP	J24185000		1		
R 7444	CHIPRES.	0	1/16W	5%	RMC1/16 000JATP	J24185000		1		
R 7445	CHIPRES.	0	1/16W	5%	RMC1/16 000JATP	J24185000		1		
R 7446	CHIPRES.	0	1/16W	5%	RMC1/16 000JATP	J24185000		1		
R 7447	CHIPRES.	0	1/16W	5%	RMC1/16 000JATP	J24185000		1		
R 7448	CHIPRES.	0	1/16W	5%	RMC1/16 000JATP	J24185000		1		
R 7449	CHIPRES.	0	1/16W	5%	RMC1/16 000JATP	J24185000		1		
R 7450	CHIPRES.	0	1/16W	5%	RMC1/16 000JATP	J24185000		1		
R 7451	CHIPRES.	0	1/16W	5%	RMC1/16 000JATP	J24185000		1		
R 7452	CHIPRES.	0	1/16W	5%	RMC1/16 000JATP	J24185000		1		
R 7453	CHIPRES.	0	1/16W	5%	RMC1/16 000JATP	J24185000		1		
R 7454	CHIPRES.	0	1/16W	5%	RMC1/16 000JATP	J24185000		1		
R 7455	CHIPRES.	0	1/16W	5%	RMC1/16 000JATP	J24185000		1		
R 7456	CHIPRES.	0	1/16W	5%	RMC1/16 000JATP	J24185000		1		
R 7457	CHIPRES.	0	1/16W	5%	RMC1/16 000JATP	J24185000		1		
S 7401	ROTARY ENCODER				EC11EBB20C	Q9000823		1	A	A2
S 7401	TACT SWITCH				SKRPABE010	N5090133		2-	A	A2
S 7402	TACT SWITCH				SKRPABE010	N5090133		1-	A	C2
S 7403	TACT SWITCH				SKRPABE010	N5090133		1	A	D1
S 7403	ROTARY ENCODER				EC11B15204	Q9000839		2-	A	D1
S 7404	TACT SWITCH				SKRPABE010	N5090133		1-	A	C2
S 7405	TACT SWITCH				SKRPABE010	N5090133		1	A	E1
S 7405	ROTARY ENCODER				EC11B15204	Q9000839		2-	A	E1
S 7406	TACT SWITCH				SKRPABE010	N5090133		1-	A	E2
S 7407	TACT SWITCH				SKRPABE010	N5090133		1		
S 7408	TACT SWITCH				SKRPABE010	N5090133		1		
S 7409	TACT SWITCH				SKRPABE010	N5090133		1		
S 7410	TACT SWITCH				SKRPABE010	N5090133		1		
S 7411	TACT SWITCH				SKRPABE010	N5090133		1		
S 7412	TACT SWITCH				SKRPABE010	N5090133		1		
S 7413	TACT SWITCH				SKRPABE010	N5090133		1		
S 7414	TACT SWITCH				SKRPABE010	N5090133		1		
S 7415	TACT SWITCH				SKRPABE010	N5090133		1		
S 7416	TACT SWITCH				SKRPABE010	N5090133		1		
S 7417	TACT SWITCH				SKRPABE010	N5090133		1		
S 7418	TACT SWITCH				SKRPABE010	N5090133		1		
S 7419	TACT SWITCH				SKRPABE010	N5090133		1		
VR7401	POT.	10k			EVN-5ESX50B14	J51811103		1	B	c1
VR7401	POT.	1M			EVN-5ESX50B16	J51811105		2-	B	c1
VR7402	POT.	10k			EVN-5ESX50B14	J51811103		1	B	c1
VR7402	POT.	1M			EVN-5ESX50B16	J51811105		2-	B	c1
VR7403	POT.	10k			EVN-5ESX50B14	J51811103		1	A	A1
VR7403	POT.				RH96N289 B103 RY-7901	J60800286		2-	A	A1
VR7403	POT.				RH96N289 B103 RY-7901	J60800286		8-	A	A1
VR7403	POT.				RH96N289 B103 RY-7950	J60800289		24-	A	A1
VR7404	POT.				RH96N289 B103 RY-7901	J60800286		2-	A	B1
VR7404	POT.				RH96N289 B103 RY-7901	J60800286		8-	A	B1
VR7404	POT.				RH96N289 B103 RY-7950	J60800289		24-	A	B1
X 7401	XTAL U3B	3.6864MHZ			3.686400MHZ (11p)	H0103307		1		

***YAESU***  
***The radio***

Copyright 2015  
YAESU MUSEN CO., LTD.  
All rights reserved.

No portion of this manual  
may be reproduced  
without the permission of  
YAESU MUSEN CO., LTD.